



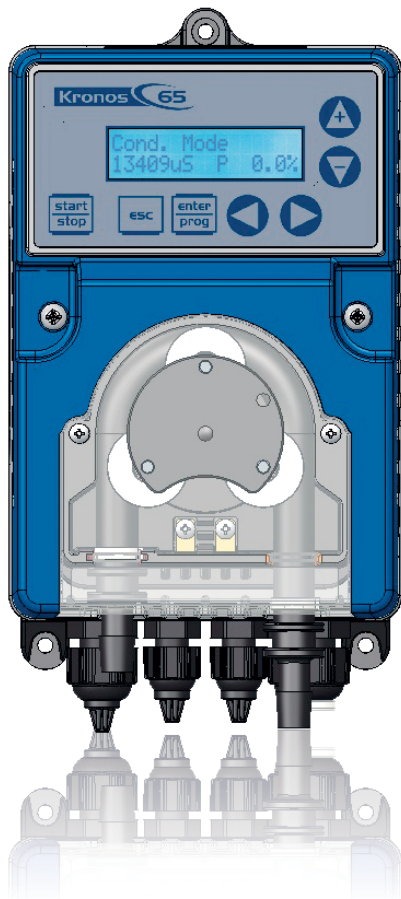
# KRONOS

## PERISTALTIC DOSING PUMP DRIVEN STEPPER MOTOR

The Kronos Series' peristaltic pump is the final result of dedication of Seko to the innovation of its products, in order to launch metering systems that meet the technical requirements of an increasingly large and demanding customers.



Kronos is the most complete and reliable series of peristaltic pumps ever produced by Seko. As a result of 35 years of experience, Kronos is able to adapt to the most simple applications, covering at the same time also complex solutions in industrial plants where accuracy in the chemical dosing and ability to operate in harsh environments are needed, in addition to ease of installation and low maintenance costs.



## KRONOS IS THE END RESULT OF RESEARCH AND INNOVATION

### INNOVATIVE ENCLOSURE

**Easy to install.** The fasteners also allow easy maintenance of electronic circuits without having to remove the electrical connections already made.

### STEPPER MOTOR

Thanks to its distinctive peculiarities Kronos is able to dose very small amounts of chemical products, **down to 0.01% of its maximum flow rate.** The metering function is particularly accurate and reliable over time.

### ELECTRONIC CONTROL

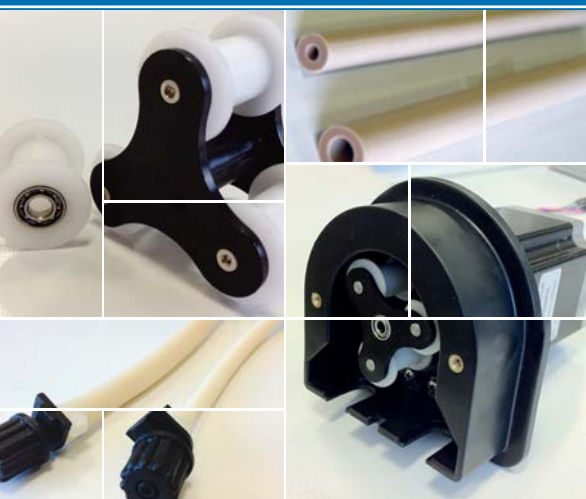
The software is the result of research and development processes that Seko continuously devotes to its products.

The innovative electronic control used in the Kronos series allows us to better exploit its potentialities. The accuracy of the dosing, the life of the engine and **its quietness (<35dB) are the result.**

### INTUITIVE MENU

The digital programming of the parameters via keyboard and display ensures a fast setting and final check on the programming data. The easy and intuitive menu enables a simple set up of the various options without risking to forget something. The internal menu also allows to check the statistics on the life of the tube and on the operating life of the pump.





## ROLLER HOUSING

It has a renovated profile created to provide a greater duration of the peristaltic pump tube. Thanks to its unique geometry annoying damages to the tube are avoided.

These could be caused by the dosing activity as well as during the periodic replacements.

Each roller is equipped with two ball bearings to prevent the roller from rubbing the tube.

**The choice of using 3 rollers helps maintaining the flexibility of the tube during the pumping activity.** The result is that the life and the performance of the tube prove to be increasingly enhanced.

## TUBES

All of the Kronos pumps allow us to use a wide range of membrane tubes ensuring a perfect chemical compatibility without having to sacrifice the mechanical resistance of the tube.

To date, the range of available Seko tubes includes, in addition to the already known **Santoprene, Sekobril, Sekoflex and Sekokem**, also several new tubes tested in our laboratories such as **Sekoextra, Sekomed, Sekotech and Sekofort**.

## MODE VERSION

### FULL MODE

Kronos FM pump has multi-function setting there are six (6) different configuration:

- Manual Mode (Constant dosing)
- mA Mode (Proportional dosing)
- PPM Mode (Concentration dosing)
- 1:N Mode (Speed up dosing)
- N:1 Mode (Speed down dosing)
- Batch Mode (Setting dosing)

### FULL FULL MODE

Kronos FF pump has multi-function setting there are seven (7) different configuration, as following:

- Manual Mode (Constant dosing)
- 0÷10 Volt Mode (Proportional dosing)
- 4÷20 mA Mode (Proportional dosing)
- PPM Mode (Concentration dosing)
- 1:N Mode (Speed up dosing)
- N:1 Mode (Speed down dosing)
- Batch Mode (Setting dosing)

### CONDUCTIVITY MODE

Kronos CR pump has a conductivity measure integrated with two (2) different configuration:

- Manual Mode (Constant dosing)
- Conductivity Mode (SetPoint Dosing)
- Range 100.15000  $\mu$ S with accuracy 1%
- Conductivity probe K1 (C1)

### INDUCTIVITY MODE

kronos IR pump has a conductivity measure integrated with s two (2) different configuration:

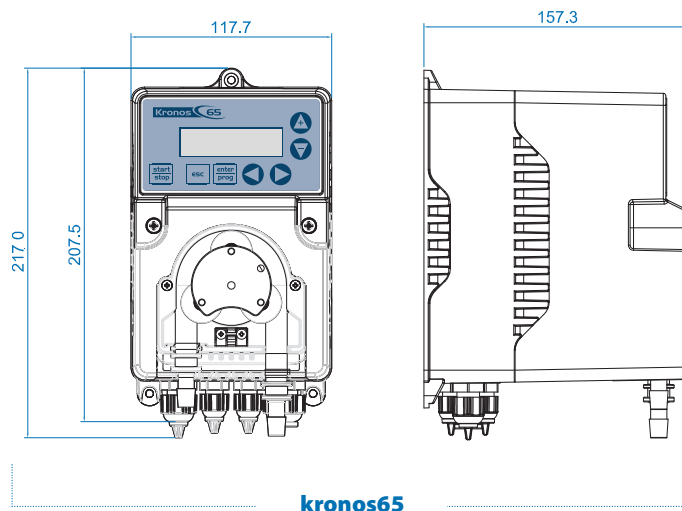
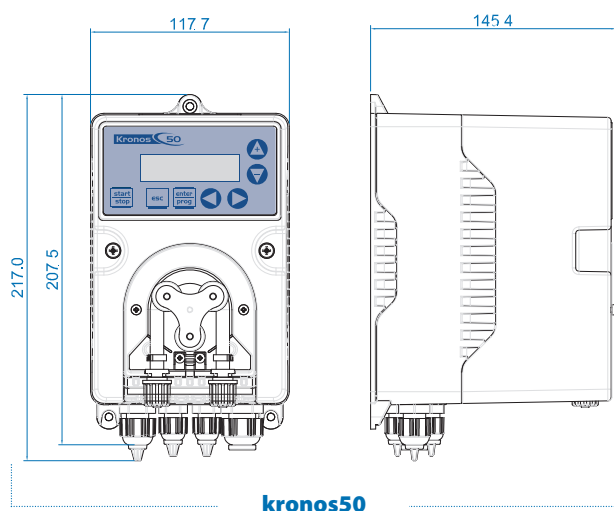
- Manual Mode (Constant dosing)
- Conductivity Mode (SetPoint Dosing)
- Range 200 . 50.000  $\mu$ S with accuracy 1%
- Inductivity probe

## APPLICATIONS

The Kronos pump, thanks to its features and the vast range of available models, can cover cleaning and hygiene as well as water and industry applications. At date, Kronos finds the following uses:

- Dosing of detergent and rinse in tunnel dishwashers (that require a very long tube life and a high dosing accuracy);
- Car-wash applications;
- Agricultural and farming industries;
- Galvanic processes;
- Clarification tanks;
- Flocculant dosing (swimming-pools);
- Priming of chemical products that release gas easily;
- All industrial processes that require a low back pressure and constant chemical dosing.

## DIMENSIONS



## TECHNICAL FEATURES

FLOW RATES	2 ÷ 25 L/h
MIN. FLOW RATES	2 ÷ 25 mL/h
PRESSURE	0,1 ÷ 6 bar

POWER SUPPLY	100÷240 Vac 50/60 Hz
ENCLOSURE	PP protection degree IP65
INSTALLATION KIT	Included

## PRODUCTS LINE

Code	Model	Nominal Pressure	Flow Rate	Minimum Flow Rate	Tubes	Tubes internal diameter
<b>KRFM0302</b>	<b>kronos 50</b> FM02	3 bar	2 L/h	2 mL/h	Sekoextra	3 mm
<b>KRFM0210</b>	<b>kronos 50</b> FM10	2 bar	10 L/h	10 mL/h	Sekomed	6 mm
<b>KRFM0015</b>	<b>kronos 50</b> FM15	-	15 L/h	15 mL/h	Santoprene	6 mm
<b>KRFM0602</b>	<b>kronos 50cc</b> FM02H	6 bar	2 L/h	2 mL/h	Sekotech	6 mm
<b>KRFM0308</b>	<b>kronos 50cc</b> FM08H	3 bar	8 L/h	8 mL/h	Sekotech	3 mm
<b>KRFM0302</b>	<b>kronos 50tt</b> FM02T	3 bar	2 L/h	2 mL/h	Sekofort	3 mm
<b>KRFF0210</b>	<b>kronos 50</b> FF10	2 bar	10 L/h	10 mL/h	Sekomed	6 mm
<b>KRCR0210</b>	<b>kronos 50</b> CR10	2 bar	10 L/h	10 mL/h	Sekomed	6 mm
<b>KRIR0210</b>	<b>kronos 50</b> IR10	2 bar	10 L/h	10 mL/h	Sekomed	6 mm
<b>KSFM0025</b>	<b>kronos 65</b> FM25	0,1 bar	25 L/h	25 mL/h	Sekoflex	8 mm

## A Worldwide Group at your service

**seko** is an International Group, developing, manufacturing and delivering its products in more than 50 countries, through its 16 subsidiaries and an extended network of distributors, agents and authorized dealers. **seko** is a leading manufacturer of dosing pumps and dosing systems with more than 40 years experience. This long activity allowed **seko** to acquire a vast experience in diversified applications and to confirm its international success in many industrial fields through the supply of reliable solutions for the dosing, injection and transfer of liquids.



**ERTEK**  
www.ertek.com

**Ertek Yapı ve Makina Endüstri Ekipmanları San. ve Tic. Ltd. Şti.**

Halkapınar Mah. Pamuk Plaza İş Merkezi 1082 Sokak No:3 M 35170 Yenişehir Konak / İZMİR  
Tel: (0232) 469 43 53 Faks: (0232) 457 46 51 • www.ertek.com • info@ertek.com