

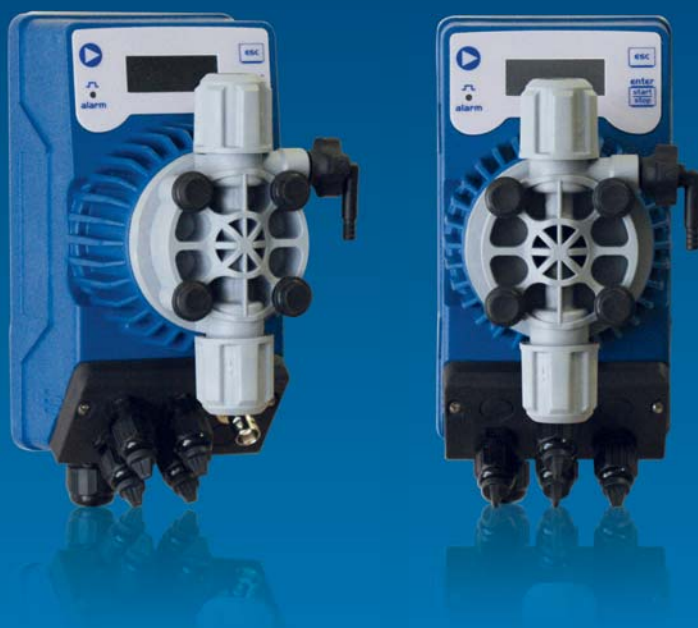


KOMPACT

DIGITAL SOLENOID DOSING PUMPS SERIES

Kompact is a simple solenoid dosing pump, operating with a micro-processor to manage the dosing.

Its external enclosure has an IP65, which guarantees a protection versus splashing water and aggressive environments.



GRAPHIC DISPLAY AND KEYPAD

Kompact digital is programmable via keypad and 2 line x 8 digits backlighted display.

DOSING MODE

The pump head has a manual priming valve.

The flow rate is manually or automatically (by signal input) adjustable from 0 (pump stop) to 100% of the max flow rate. Moreover it is equipped with the low level alarm to stop or not the pump.

MATERIALS USED IN THE PUMP HEAD

| | |
|-------------|----------|
| BODY | PVC |
| BALL VALVES | Ceramic |
| SEAT VALVE | FPM/EPDM |
| DIAPHRAGM | PTFE |

The parts in contact with the liquid have been chosen in order to guarantee perfect compatibility with most chemical normally in use.



LONG LIFE DIAPHRAGM TESTED TO GIVES YEARS WORKING LIFE

- The advanced design and manufacturing process allows the diaphragm to have a unique life expectancy
- Made of pure solid PTFE, the diaphragm is compatible with most chemicals
- The diaphragm has been tested over a period of 5 years giving superior results
- Routine diaphragm replacement is no longer a requirement

WALL-MOUNTED

Kompact pump can be fixed on wall by fixing bracket provide with the pump or top of drums by the optional foot fixing bracket.

TECHNICAL FEATURES

| | |
|------------------|---------------------------------|
| FLOW RATES | 5 l/h @ 8 bar 3 l/h @ 10 bar |
| POWER SUPPLY | 100÷240 Vac 50/60 Hz |
| STROKE RATE | 160 strokes/minute |
| ENCLOSURE | PP protection degree IP65 |
| INSTALLATION KIT | Included |

PRODUCTS LINE



DPT

Digital dosing pump with constant flow rate manually adjustable, with proportional flow rate according to an external analog (0/4÷20 mA or 20÷4/0 mA) or digital signal (water meter, hall sensor or voltage signal).

Timed dosing with a weekly programmable timer; Dosage in ppm; Dosage batch; Statistics; Password; Input ON-OFF (remote control).

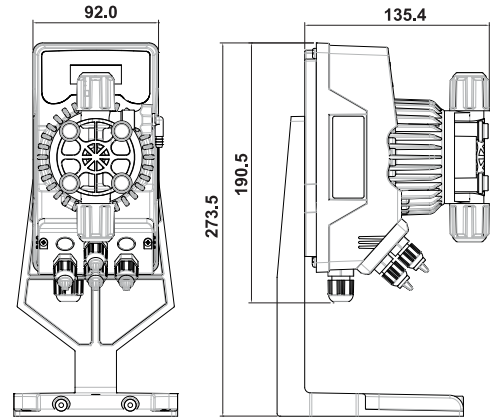


DRP

Digital dosing pump with constant flow rate manually adjustable, with proportional flow rate according to the measured pH or Redox value.

PT100 probe input (thermal compensation); Input On-Off (remote control).

DIMENSIONAL DRAWINGS



ACCESORIES

The pumps are supplied complete with the indispensable accessories for their correct installation as: Foot filter, Screws, Fixing bracket, Injection valve, 2m PE tube (delivery), 4 m PVC tube (suction), Seal in FPM and EPDM



TECHNICAL SPECIFICATIONS

| Model | Flow rate [l/h] | Pressure [bar] | Stroke capacity [cc/stroke] | Ø Connections IN / OUT [mm] | Frequency max [stroke/min] |
|---------------------|-----------------|-------------------|-----------------------------|-----------------------------|----------------------------|
| 200 | 5 | 8 | 0.52 | 4 / 6 | 160 |
| | 3 | 10 | 0.31 | | |
| Pump Head materials | Type | Body Pump | Balls | Seat valve | Diaphragm |
| | P | PVC | Ceramic | FPM - EPDM | PTFE |
| Enclosure | Materials | Protection degree | Power supply | | |
| | PP | IP65 | | | |
| | | | Consumption 12 W | | |

ERTEK
www.ertek.com

Ertek Yapı ve Makina Endüstri Ekipmanları
San. ve Tic. Ltd. Şti.

Halkapınar Mah. Pamuk Plaza İş Merkezi 1082
Sokak No: 3 M 35170 Yenisehir Konak / İZMİR
Tel: (0232) 469 43 53 Faks: (0232) 457 46 51
www.ertek.com • info@ertek.com

seko

