

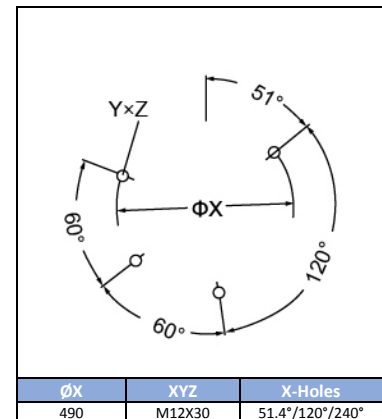
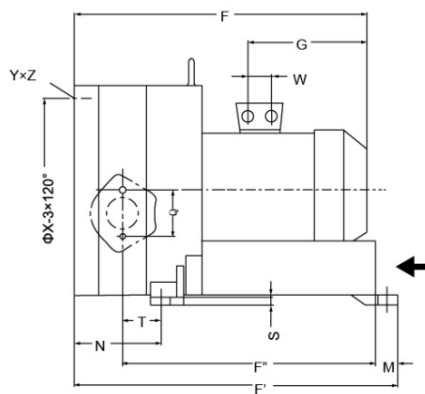
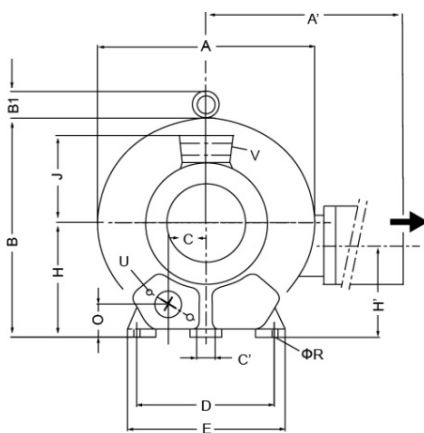
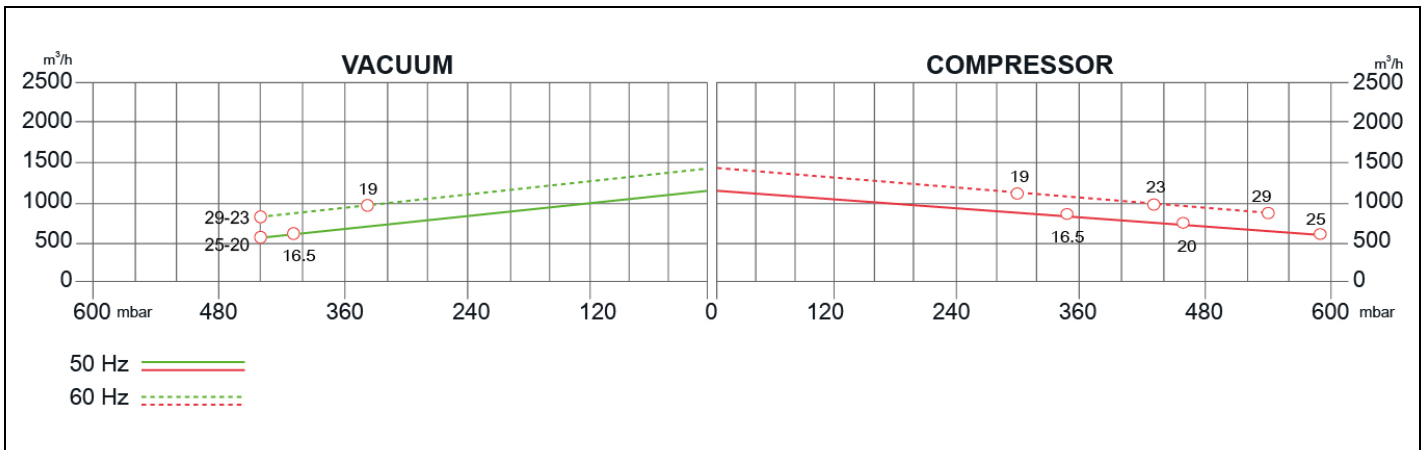
SIDE CHANNEL BLOWERS

BL 920 020 – Double Impeller – Three Phase



Construction of the ring blowers fans is based on the lateral ducts principle. The blowers can operate as either exhaust or compression fans and are designed for continuous service. The device is assembled directly on the motor shaft; all the rotating parts are dynamically balanced to ensure absolute absence of vibration. Full die-cast aluminum construction for maximum sturdiness and ease of handling. The characteristics data given here refer to the handling of gas with inlet temperature of 15°C, normal density of 1,23 kg/m³ and absolute pressure of 1023 mbar. Tolerance of ±10%.

Model	Freq. [Hz]	Power [kW]	Voltage [V]		Rated Current [A]		Max Airflow [m ³ /h]	Rated VACUUM [mbar]	Rated COMPRESSOR [mbar]	Noise [dB A]	Weight [kg]			
			△	Y	△	Y								
BL92002016500	50	16.5	345÷415	600÷720	35.0	20.0	1100	-410	370	74	197			
	60	19	380÷480	660÷720	36.5	21.0	1310							
BL92002020000	50	20	345÷415	600÷720	40.0	23.0	1100	-440	500	74	204			
	60	23	380÷480	660÷720	42.0	24.2	1310							
BL92002025000	50	25	345÷415	600÷720	52.0	30.0	1100					590	74	211
	60	29	380÷480	660÷720	52.0	30.0	1310							



MODEL	A	A'	B	B1	C	C'	D	E	F	F'	F''	G	H	H'	J	K	M	N	O	ØP	Q	ØR	S	T	U	V	W
BL92002016500	615	780	607	16	104	15	360	415	752	786	634	345	300	234	197	533	39	230	92	100	150	15	21	117	M12x30	4xM40x1.5	51
BL92002020000	615	780	607	16	104	15	360	415	752	786	634	345	300	234	197	533	39	230	92	100	150	15	21	117	M12x30	4xM40x1.5	51
BL92002025000	615	780	607	16	104	15	360	415	812	786	634	405	300	234	197	533	39	230	92	100	150	15	21	117	M12x30	4xM40x1.5	51

Your Choice,
Our Commitment

Technical data can be changed without notice.

