

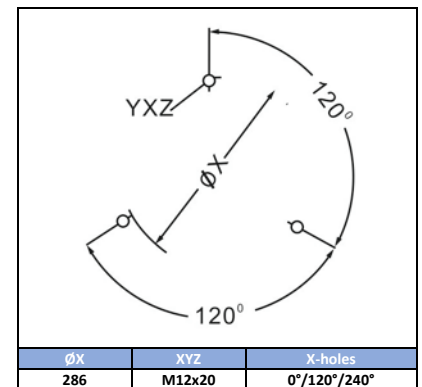
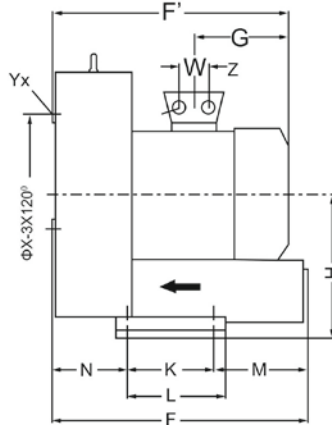
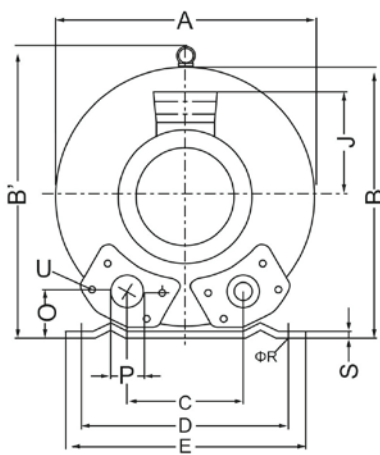
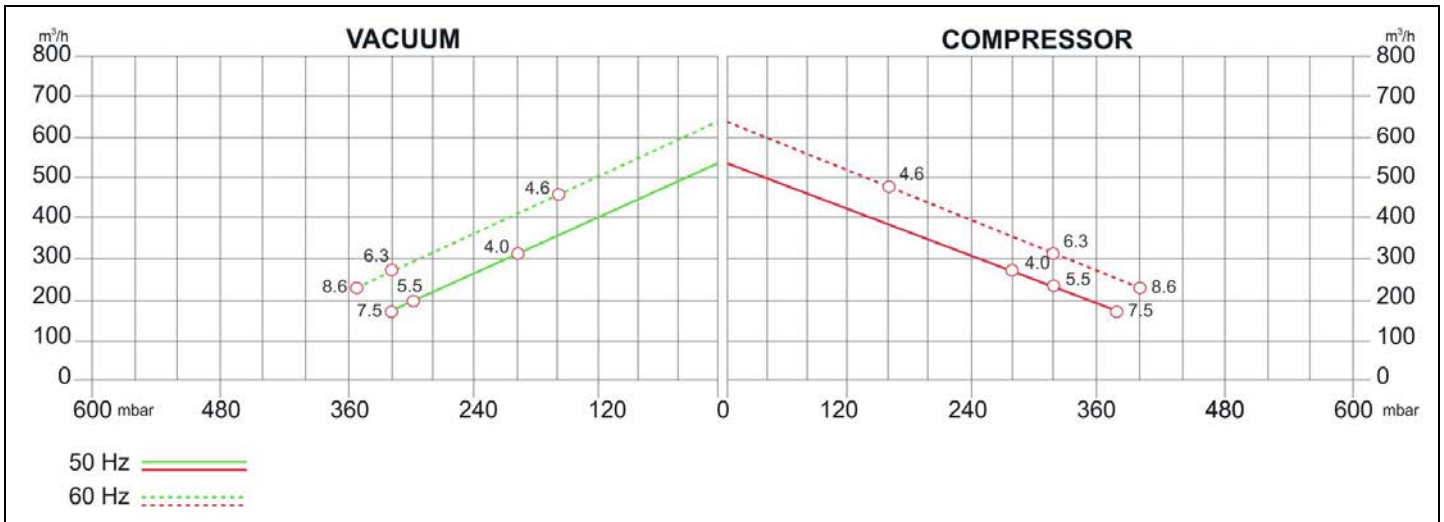
# SIDE CHANNEL BLOWERS

## BL 070 001 – Single Impeller - Three-phase



Construction of the ring blowers fans is based on the lateral ducts principle. The blowers can operate as either exhaust or compression fans and are designed for continuous service. The device is assembled directly on the motor shaft; all the rotating parts are dynamically balanced to ensure absolute absence of vibration. Full die-cast aluminum construction for maximum sturdiness and ease of handling. The characteristics data given here refer to the handling of gas with inlet temperature of 15°C, normal density of 1,23 kg/m<sup>3</sup> and absolute pressure of 1023 mbar. Tolerance of ±10%.

Model	Freq. [Hz]	Power [kW]	Voltage [V]		Rated Current [A]		Max Airflow [m <sup>3</sup> /h]	Rated VACUUM [mbar]	Rated COMPRESSOR [mbar]	Noise [dB A]	Weight [kg]
			Δ	Y	Δ	Y					
BL07000104300	50	4.0	345÷415	600÷720	9.5	5.5	530	-200	200	70	51
	60	4.6	380÷480	660÷720	9.5	5.5	620	-160	160	74	
BL07000105500	50	5.5	345÷415	600÷720	12.9	7.4	530	-300	320	80	62
	60	6.3	380÷480	660÷720	12.9	7.45	620	-320	340	82	
BL07000107500	50	7.5	345÷415	600÷720	16.7	9.6	530	-320	380	80	65
	60	8.6	380÷480	660÷720	17.3	10.0	620	-350	400	82	



MODEL	A	A'	B	B'	C	D	E	F	F'	G	H	H'	J	K	L	M	N	N'	O	ØP	ØR	S	V	W
BL07000104000	451		461	509	152	356	394	433	450	230	240		148	170	217	140	124		65	2"1/2	15	6	4xM32x1.5	42
BL07000105500	451		461	509	152	356	394	433	477	226	240		148	170	217	140	124		65	2"1/2	15	6	4xM32x1.5	42
BL07000107500	451		461	509	152	356	394	433	477	226	240		148	170	217	140	124		65	2"1/2	15	6	4xM32x1.5	42

Your Choice,  
Our Commitment

