

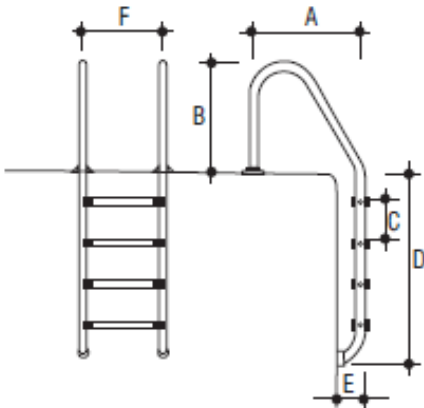
GEMAS STADARD MODEL LADDERS



TECHNICAL DATA SHEET

"Pool Technology"

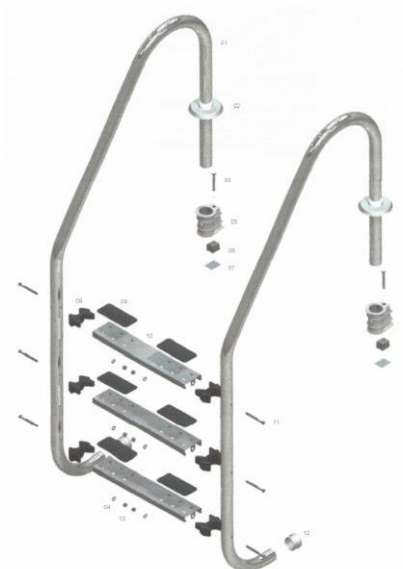
STANDARD 304 and 316 MODEL WITH STAINLESS STEEL TREADS. 500 mm width. Treads in AISI 304 and 316 quality stainless steel and anti-slip. Handrails made of Ø 42 mm pipe are in AISI 304 and 316 quality polished stainless steel. Complete with plastic anchors, anchor escutcheons, end caps, bolts and nuts.



Number of Treads	A	B	C	D	E	F
2	700	650	250	650	180	500
3	700	650	250	900	180	500
4	700	650	250	1150	180	500
5	700	650	250	1400	180	500

MODEL NAME	MODEL CODE
STANDARD 304 MODEL WITH STAINLESS STEEL TREADS. With 2 Stainless Steel Treads	0311111
STANDARD 304 MODEL WITH STAINLESS STEEL TREADS. With 3 Stainless Steel Treads	0311112
STANDARD 304 MODEL WITH STAINLESS STEEL TREADS. With 4 Stainless Steel Treads	0311113
STANDARD 304 MODEL WITH STAINLESS STEEL TREADS. With 5 Stainless Steel Treads	0311114
STANDARD 316 MODEL WITH STAINLESS STEEL TREADS. With 2 Stainless Steel Treads	0312111
STANDARD 316 MODEL WITH STAINLESS STEEL TREADS. With 3 Stainless Steel Treads	0312112
STANDARD 316 MODEL WITH STAINLESS STEEL TREADS. With 4 Stainless Steel Treads	0312113
STANDARD 316 MODEL WITH STAINLESS STEEL TREADS. With 5 Stainless Steel Treads	0312114

Spare Parts



Part No	Code	Description	2 Ladder Quantity	3 Ladder Quantity	4 Ladder Quantity	5 Ladder Quantity
01		STD. POOL LADDER ARM (AISI 304 or 316)	2	3	4	5
02	032022	ANCHOR ESCUTCHEON - PLASTIC	2	2	2	2
	032021	ANCHOR ESCUTCHEON - AISI 304	2	2	2	2
03	032011	M8X70 INOX SCREW	2	2	2	2
04	03202	WASHER INOX M8	6	8	10	12
05	032014	LADDER ANCHOR BODY	2	2	2	2
06	032013	LADDER ANCHOR BLOCK	2	2	2	2
07	032015	LADDER ANCHOR BOTTOM LID	2	2	2	2
08	0320313	INOX LADDER TREAD BODY SIDE PLUG	4	6	8	10
09	0320312	INOX LADDER TREAD PLASTIC PED	4	6	8	10
10	0320314	INOX LADDER TREAD BODY	2	3	4	5
11	03203	INOX TREAD SCREW SPECIAL HEAD M8X70	4	6	8	10
12	03204	PLASTIC END CAP	2	2	2	2
13	03205	INOX NUT M8	4	6	8	10



