



*"Pool Technology"*

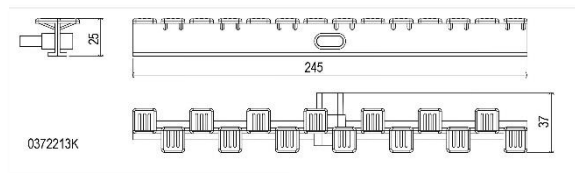
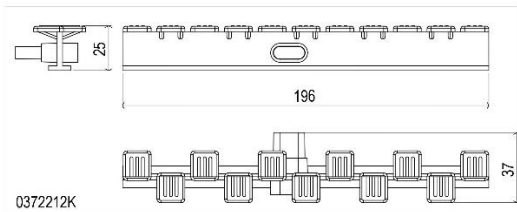
## GEMAS OVERFLOW GRATINGS TECHNICAL DATA SHEETS



### Model Gemas Square Overflow Gratings

Made of PP plastic, modular with single or two joints, each tile 6 units with joint for bends I shaped profile, produced according to ISO EN 13451 standards.

Description	Code	Pcs/Box	Weight (kg)	Volume (m <sup>3</sup> )
Model Square Single Joint Width: 20 cm Height:25mm	<b>0372212K</b>	<b>10m</b>	<b>13,000</b>	<b>0,062</b>
Clasical Design Single Joint Width: 25 cm Height:25mm	<b>0372213K</b>	<b>10 m</b>	<b>13,500</b>	<b>0,062</b>



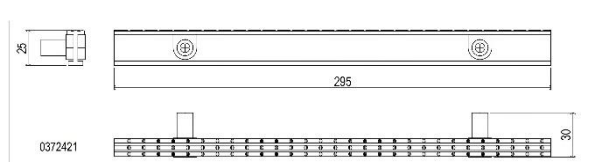
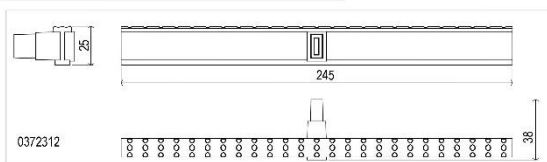
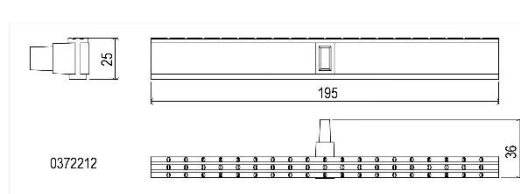
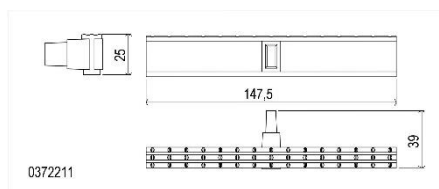
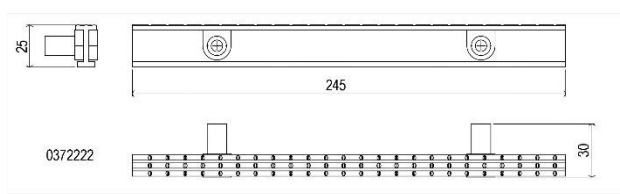
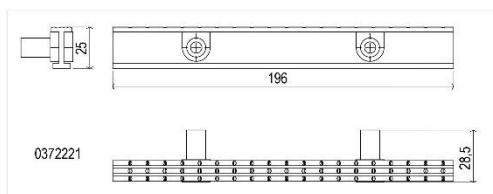


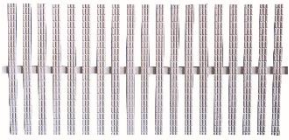
## Model Gemas 2001 Overflow Gratings

Made of PP plastic, modular with single or two joints, I shaped profile, produced according to ISO EN 13451 standards.

Description	Code	Pcs/Box	Weight (kg)	Volume (m <sup>3</sup> )
Classical Design Double Joint Width: 20 cm Height:25mm	<b>0372221</b>	<b>10 m</b>	<b>13,000</b>	<b>0,062</b>
Classical Design Double Joint Width: 25 cm Height:25mm	<b>0372321</b>	<b>10 m</b>	<b>13,500</b>	<b>0,062</b>
Classical Design Double Joint Width: 30 cm Height:25mm	<b>0372421</b>	<b>10 m</b>	<b>14,100</b>	<b>0,062</b>
Classical Design Single Joint Width: 15 cm Height:25mm	<b>0372211</b>	<b>10 m</b>	<b>11,900</b>	<b>0,044</b>
Classical Design Single Joint Width: 20 cm Height:25mm	<b>0372212</b>	<b>10 m</b>	<b>11,500</b>	<b>0,062</b>
Classical Design Single Joint Width: 25 cm Height:25mm	<b>0372312</b>	<b>10m</b>	<b>13,100</b>	<b>0,062</b>

### Drawings:

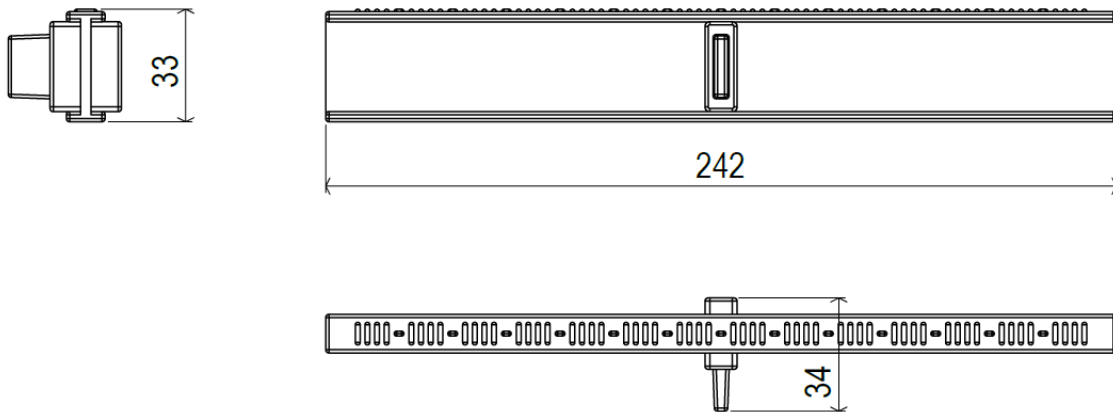
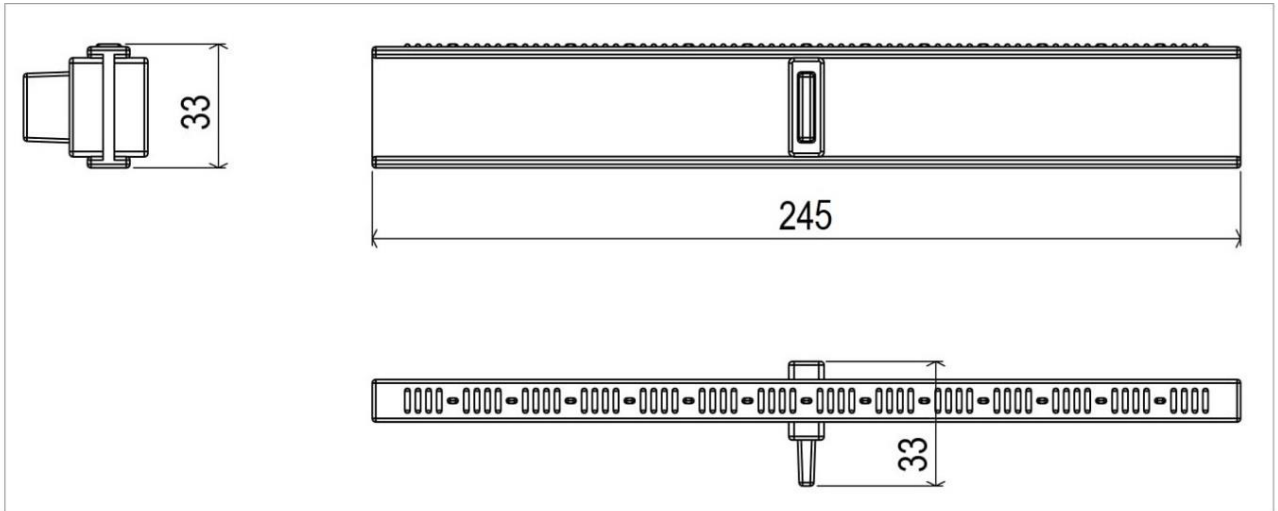




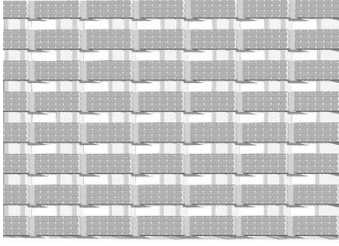
## GEMAS 33 mm HEIGHT 25 cm WIDTH OVERFLOW GRATINGS TECHNICAL DATA SHEET

Made of PP plastic, modular with single joint, I shaped profile, produced according to ISO EN 13451 standards.

### Products Details:



Description	Pieces / Box	Weight (kg)	Volume (m <sup>3</sup> )
Gemas 33 mm Height 25 cm Width Single Joint Overflow Gratings	<b>5 m</b>	<b>11.400</b>	<b>0,062</b>
Gemas 33 mm Height 20 cm Width Single Joint Overflow Gratings	<b>5 m</b>	<b>11.016</b>	<b>0,062</b>



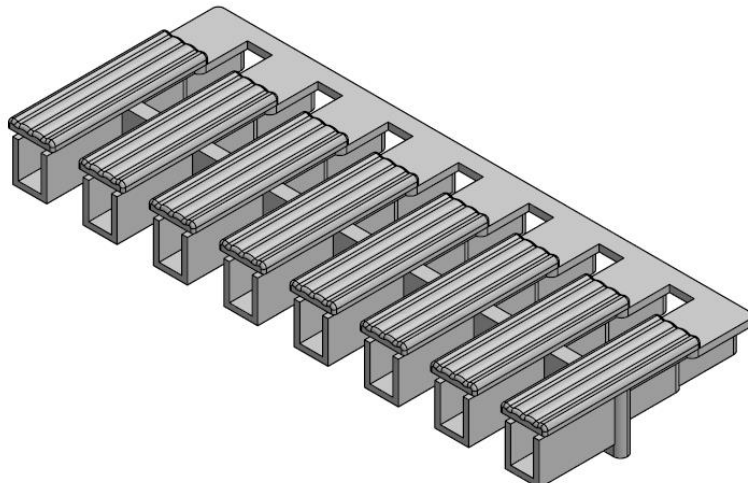
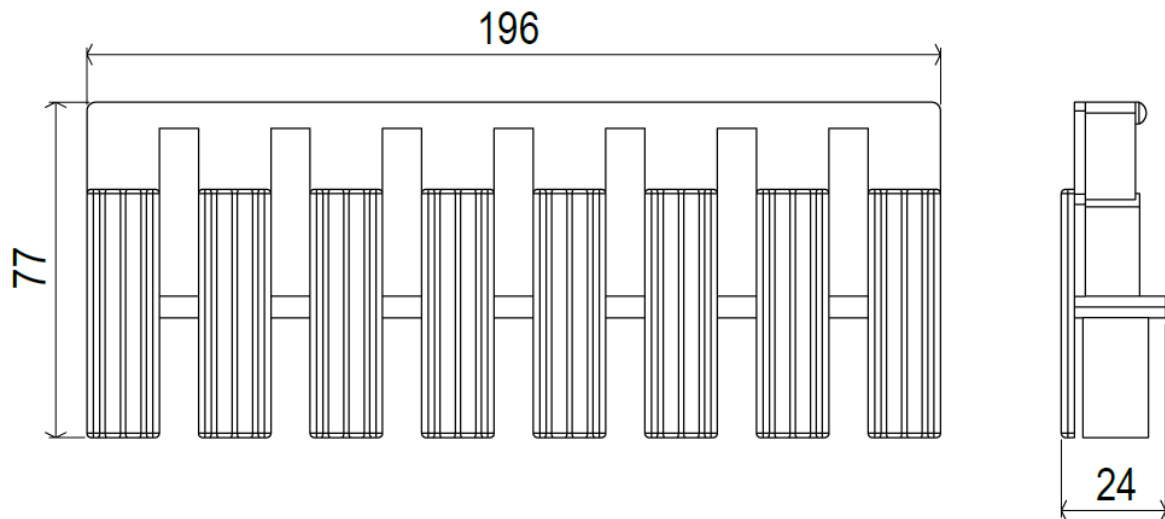
## GEMAS FUTURO GRATINGS

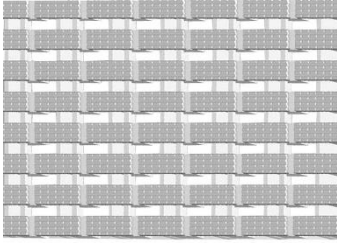
### TECHNICAL DATA SHEET

Made of PP plastic, modular, plastic product. Adaptable for each kind of pools. Reflexive or quadrangle. Produced according to ISO EN 13451 standards.

Description	Code	Pcs/Box	Weight (kg)	Volume (m <sup>3</sup> )
"MODEL GEMAS-FUTURO" OVERFLOW GRATING Modular Plastic Width: 20 cm Height:24mm	<b>037321K</b>	<b>10m</b>	<b>12,600</b>	<b>0,062</b>

#### Dimensions:





# GEMAS MONOBLOCK GRATINGS

## TECHNICAL DATA SHEET

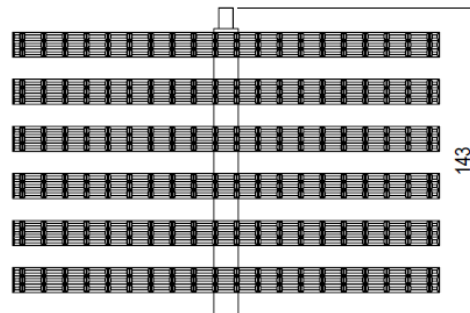
Single Joint. Six pieces, "T" shaped plastics, grating height: 2,2 cm. Produced according to ISO EN 13451 standards.

Description	Code	Pcs/Box	Weight (kg)	Volume (m <sup>3</sup> )
"MONOBLOCK" Overflow Grating Width: 20 cm Height:22mm	<b>037321</b>	<b>10m</b>	<b>11,700</b>	<b>0,062</b>
"MONOBLOCK" Overflow Grating Width: 25 cm Height:22mm	<b>037331</b>	<b>10 m</b>	<b>18,320</b>	<b>0,061</b>

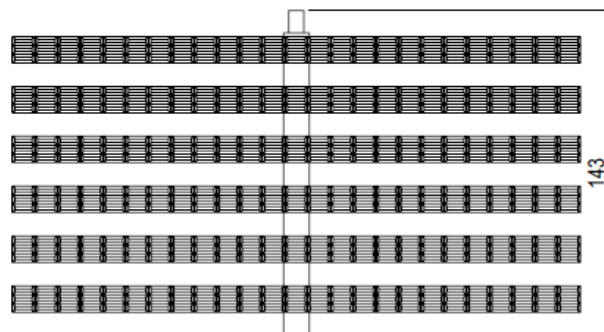
### Dimensions:



037321



037331



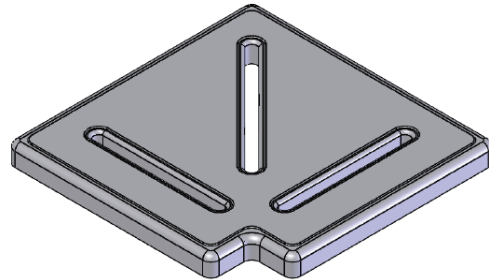
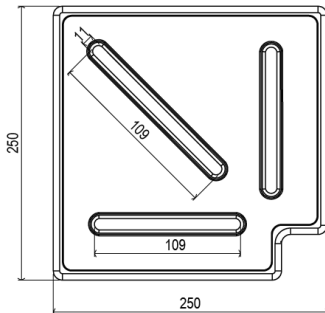
# Gemas Corner Tiles For Overflow Grating

## Technical Data Sheet

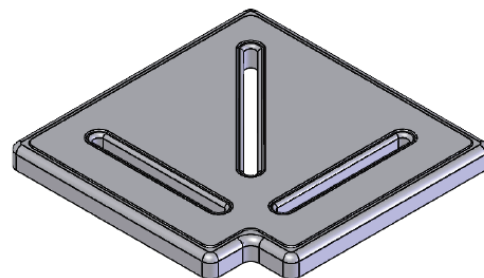
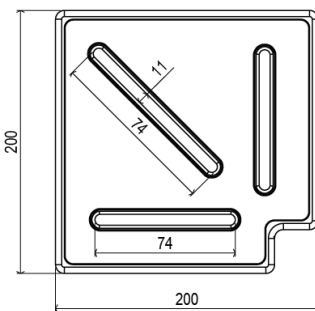


Corner Tile made of PP plastic for an angle of 90 Degrees.  
Produced according to ISO EN 13451 standards.

Description	Code	Pcs/Box	Weight (kg)	Volume (m <sup>3</sup> )
CORNER TILES 90° PLASTIC. 25 cm Height:25mm	037431	20 pcs	9,96	0,048
CORNER TILES 90° PLASTIC 20cm Height:25mm	037421	25 pcs	8,80	0,038
CORNER TILES 90° PLASTIC 15 cm Height:25mm	037411	20 pcs	4,438	0,019



**037431**



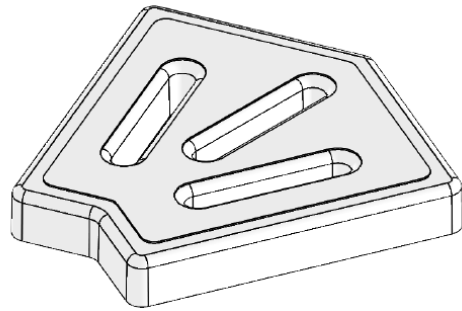
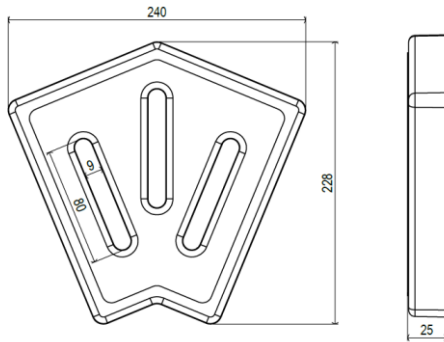
**037421**



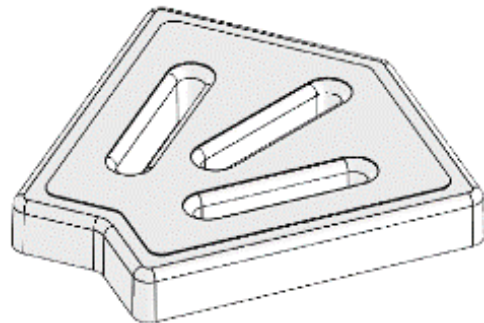
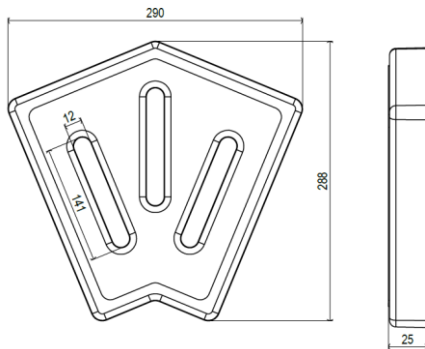


Corner Tile made of PP plastic for an angle of 90 Degrees.  
Produced according to ISO EN 13451 standards.

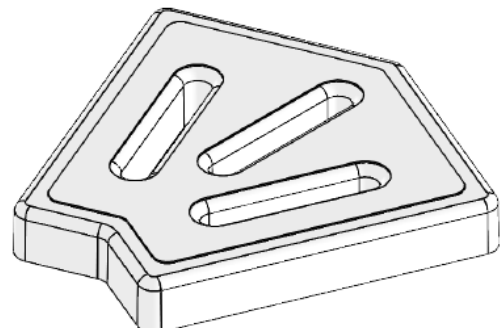
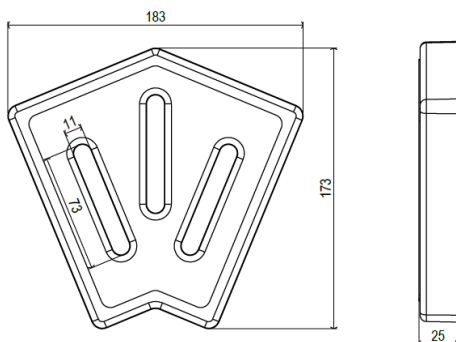
Description	Code	Pcs/Box	Weight (kg)	Volume (m <sup>3</sup> )
CORNER TILES 45° PLASTIC. 25 cm Height:25mm	037432	20 pcs	6,95	0,042
CORNER TILES 45° PLASTIC 20cm Height:25mm	037422	20 pcs	4,47	0,028
CORNER TILES 45° PLASTIC 15 cm Height:25mm	037412	10 pcs	1,636	0,008



**037422**

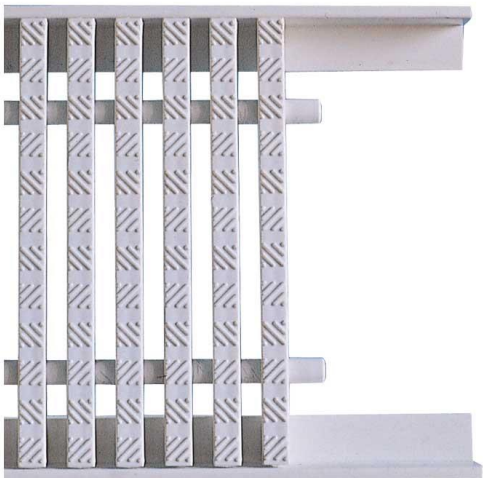


**037432**



**037412**

# GEMAS GRATING SUPPORT PROFILE TECHNICAL DATA SHEET



Grating support profile made in plastic. Produced according to ISO EN 13451 standards.

Description	Code	Pcs/Box	Weight (kg)	Volume (m <sup>3</sup> )
Grating Support Profile Length: 200 mm, Height: 26 mm, Width: 23 mm	03750	100 m 2m x 50	18,17	0,051

