

GEMAS POOL CONTROL MONO



Product Details: Complete Electronic Control Box. Controls 1 pc of single phase pump up to 2,2 kW and group of lights max. 5 A. User-Friendly interface, very easy to control with only a single button. Controls the system according to time. Logs the working hour and error data. Auxiliary output for extra connections such as robots, chlorinators, automatic dosing systems, heaters etc. During initial start-up, sets the min and max current values of the pump automatically and saves the overload/underload protection amper limits. This way, the pump is protected against over/under current load.

Fully electronic, 7-segment display, pool electrical control panel. Controls single-phase pumps from 0.33 HP to 2.0 HP and 1 group of 100 W / 12 V lamps (maximum 4 pieces). It is complete with 100 W or 200 W / 12 V Analog transformer.

- Time-controlled automatic operation is possible for the pump and lamps. When the system is running, it can be switched from automatic control to manual or manual control to automatic without interrupting the system.
- **Incorrect Connection Protection:** In case of incorrect connection at the motor terminal box, it gives short circuit warning and prevents the motor from starting. In case of a short circuit in the motor windings for any reason, it stops the motor. (For example, the engine is submerged under water.)
- **Thermal Current Protection:** The \pm tolerance of the current drawn by the motor can be defined with an accuracy of 10% to 50%. In case of excessive current out of tolerance, the motor is disabled.
- **Closed Valve Protection:** In case the valves in the pump suction and / or discharge lines are left closed, the motor is deactivated through current control. Thus, it eliminates the risk of seal and body damage caused by overheating.
- **Ampere Reading:** It allows to see the current drawn by the pump motor at any time. All controls are disabled in this mode.
- **Timer:** Possibility to automatically start and stop the pump for the desired time with the help of the timer.
- **Lamp Control and Thyroid Transformer:** 1 group of 100 W or 200 W / 12 V lamp output and thyroid transformer.
- **Backup Pump Connection:** Conversion to backup pump at the push of a button.

Technical Characteristic

Power Input: 230 Vac - 50 Hz

Protections : Current Overload/Underload

Display Info : Current Time, Pump Status, Light Status, AUX Status, Alarm

Pump Output : 2,2 kW Max.

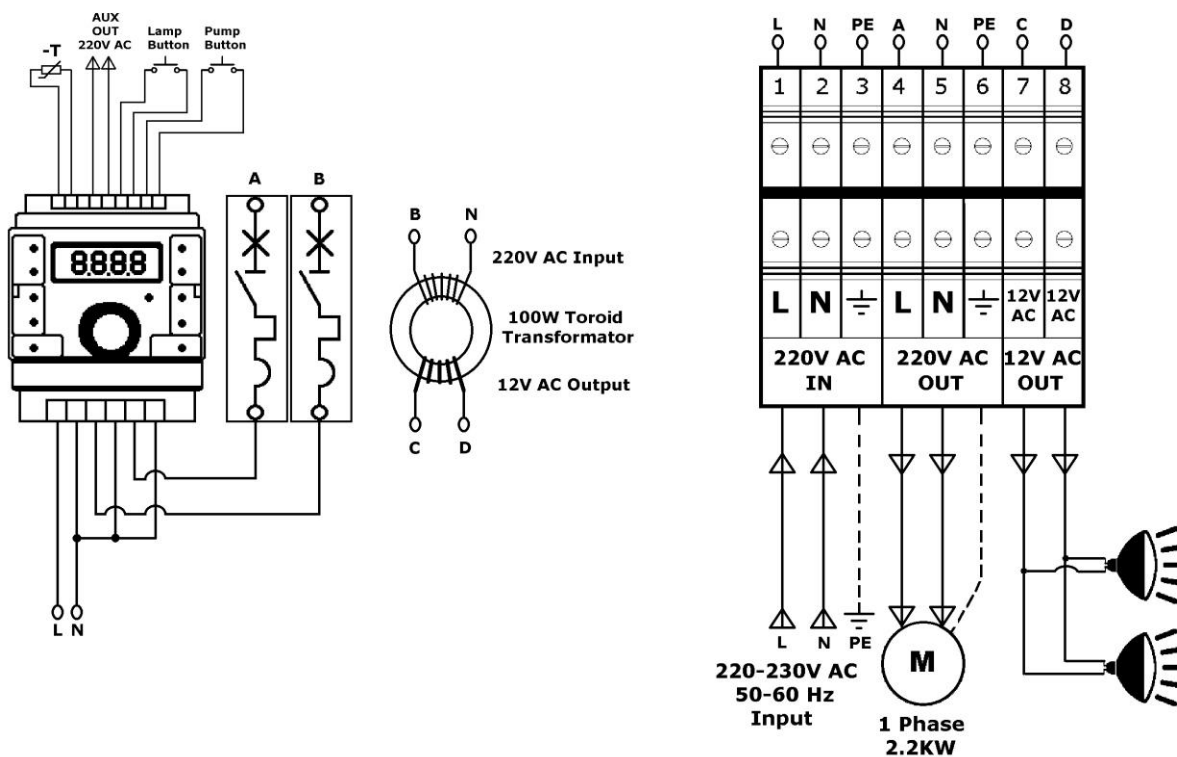


Light Output : 1 kW Max.

Auxiliary Output : 1 kW Max (Robots, Salt Chlorinators, Dosing Pumps, Heaters etc can be connected)

Description	Code
Pool Control Mono; (MAx. 100 W) 1 Pump (+1 backup)+ 1 Group Lamp	0507311
0507311, (Max. 100 W)	0507312

Electricity Connection Scheme:



We reserve our right to change all or part of the features of the articles or contents of this document, without prior notice.

