

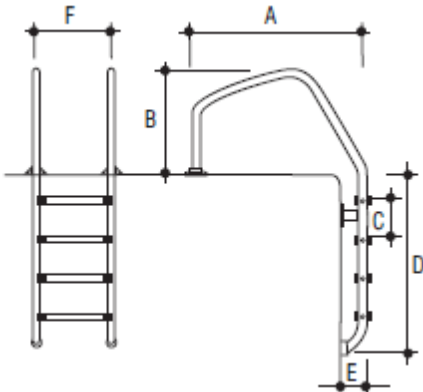
# GEMAS STADARD MODEL LADDERS



## TECHNICAL DATA SHEET

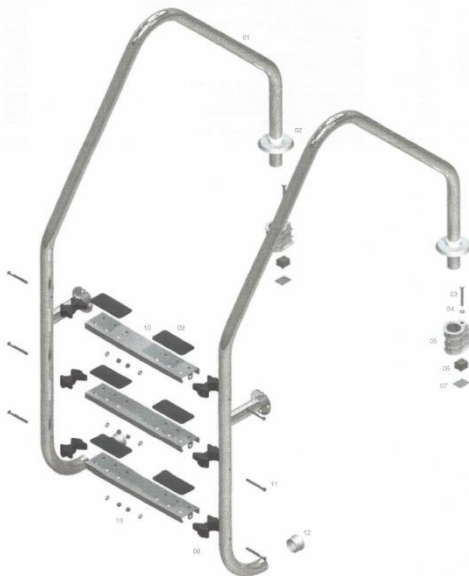
*"Pool Technology"*

**OVERFLOW 304 and 316 MODEL WITH STAINLESS STEEL TREADS.** 500 mm width. Treads in AISI 304 and 316 quality stainless steel and anti-slip. Handrails made of Ø 42 mm pipe are in AISI 304 and 316 quality polished stainless steel. Complete with plastic anchors, anchor escutcheons, end caps, bolts and nuts.



Number of Treads	A	B	C	D	E	F
2	1020	720	250	650	180	500
3	1020	720	250	900	180	500
4	1020	720	250	1150	180	500
5	1020	720	250	1400	180	500

MODEL NAME	MODEL CODE
OVERFLOW 304 MODEL WITH STAINLESS STEEL TREADS. With 2 Stainless Steel Treads	0311411
OVERFLOW 304 MODEL WITH STAINLESS STEEL TREADS. With 3 Stainless Steel Treads	0311412
OVERFLOW 304 MODEL WITH STAINLESS STEEL TREADS. With 4 Stainless Steel Treads	0311413
OVERFLOW 304 MODEL WITH STAINLESS STEEL TREADS. With 5 Stainless Steel Treads	0311414
OVERFLOW 316 MODEL WITH STAINLESS STEEL TREADS. With 2 Stainless Steel Treads	0312411
OVERFLOW 316 MODEL WITH STAINLESS STEEL TREADS. With 3 Stainless Steel Treads	0312412
OVERFLOW 316 MODEL WITH STAINLESS STEEL TREADS. With 4 Stainless Steel Treads	0312413
OVERFLOW 316 MODEL WITH STAINLESS STEEL TREADS. With 5 Stainless Steel Treads	0312414



### Spare Parts

Part No	Code	Description	2 Ladder	3 Ladder	4 Ladder	5 Ladder
01		OVERFLOW, POOL LADDER ARM (AISI 304 or 316)	2	2	2	2
02	032022	ANCHOR ESCUTCHEON - PLASTIC	2	2	2	2
	032021	ANCHOR ESCUTCHEON - AISI 304	2	2	2	2
03	032011	M8X70 INOX SCREW	2	2	2	2
04	03202	WASHER INOX M8	6	8	10	12
05	032014	LADDER ANCHOR BODY	2	2	2	2
06	032013	LADDER ANCHOR BLOCK	2	2	2	2
07	032015	LADDER ANCHOR BOTTOM LID	2	2	2	2
08	0320313	INOX LADDER TREAD BODY SIDE PLUG	4	6	8	10
09	0320312	INOX LADDER TREAD PLASTIC PED	4	6	8	10
10	0320314	INOX LADDER TREAD BODY	2	3	4	5
11	03203	INOX TREAD SCREW SPECIAL HEAD M8X70	4	6	8	10
12	03204	PLASTIC END CAP	2	2	2	2
13	03205	INOX NUT M8	4	6	8	10



