

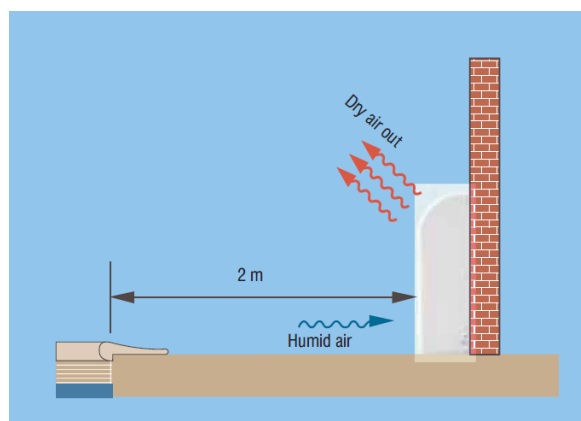
## GEMAS DEHUMIDIFIERS TECHNICAL DATA SHEET



**Product Details:** Provides energy-saving humid control for indoor swimming pool. Allows adjusting desired humidity rate with digital hygrometer.

- Quiet work
- HP buster technology
- R410A environmentally friendly gas
- Base and wall mounting
- Plastic frame
- Optional electric heater

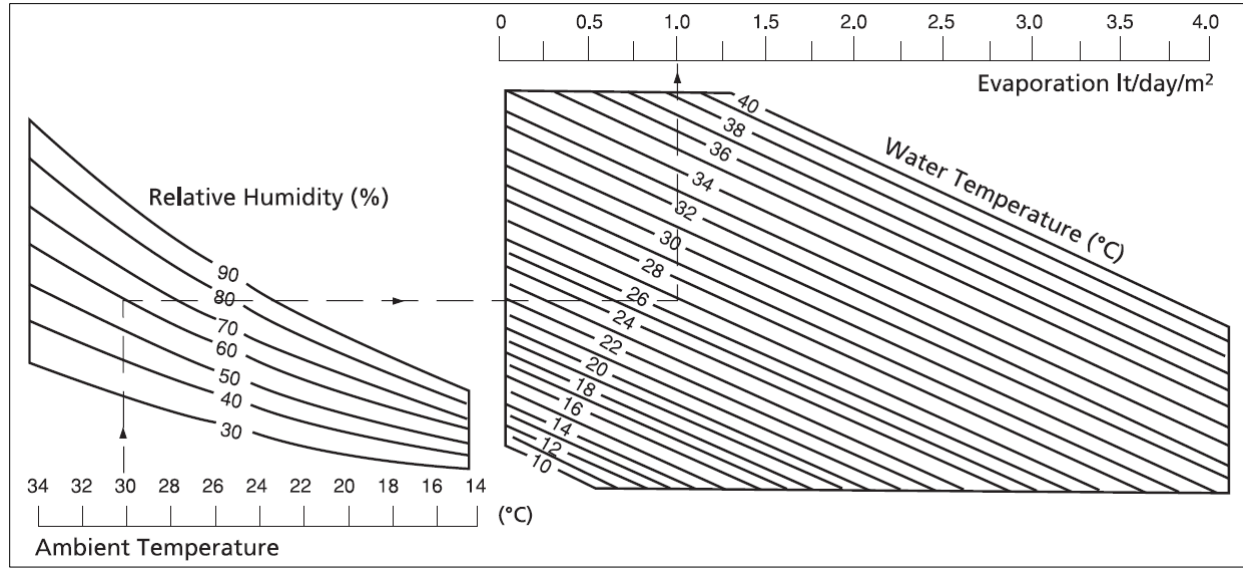
### Technical Characteristic



Code	Description	Pieces/Box	Weight (kg)	Volume(m <sup>3</sup> )
10240	Model PCF-3.0BD / 72 lt/day	1		
10231	Model MDH75A / 75 lt/day	1	57.00	0.244
10236	Model MDH90A / 90 lt/day	1	64.00	0.336
10232	Model DH90 / 90 lt/day	1		
10233	Model DH120 / 120 lt/day	1		
10234	Model MDH125A / 125 lt/day	1	66.00	0.336
10235	Model MDH170A / 170 lt/day	1	79.00	0.427



Table of Daily Evaporation In Indoor Pool Areas



Technical Specifications	MDH75A	MDH90A	MDH125A	MDH170A
Capacity (kg/24 h) 30°C/70 % humid	75	90	125	170
Heat recover (kW) 30°C/70 % humid	3.2	4	5	8.2
Noise level (dB(A))	48	50	50	52
Air flow (m³/h)	600	1200	1200	1800
Feeding energy	220V/1 ph/50 Hz	220V/1 ph/50 Hz	220V/1 ph/50 Hz	220V/1 ph/50 Hz
Operating Power (kW)	1.30	1.60	2.00	2.92
Current (A)	5.9	7.3	9.1	13.3
Starting Current (A)	25	34	42	63
Water inlet (inch)	¾	¾	¾	¾
Water outlet (inch)	¾	¾	¾	¾
Condensation drain size (mm Outer Diameter)	16	16	16	16
Operating Temperature (°C)	5~35	5~35	5~35	5~35
Compressor Protection	3 min. delay	3 min. delay	3 min. delay	3 min. delay
Defrost Mode	automatic	automatic	automatic	automatic
Refrigerant	R410A	R410A	R410A	R410A
Compressor	Rotary	Rotary	Rotary	Rotary
Net Weight/Gross Weight (kg)	52/57	57/64	59/66	70/79
Net Dimensions	905x243x673	1288x243x673	1288x243x673	1672x243x673
Packaging Dimensions	1015x315x765	1395x315x765	1395x315x765	1775x315x765

