



GEMAS

GEMAS MINI STREAMER PUMPS

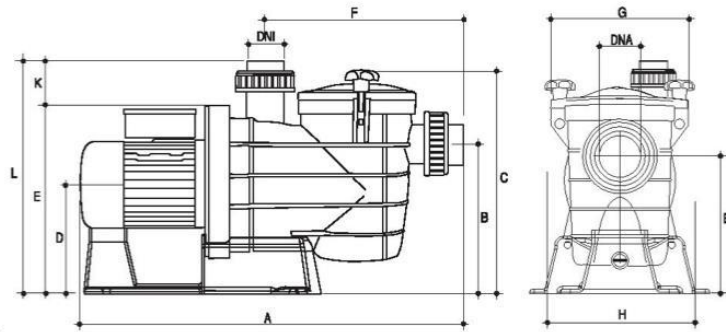
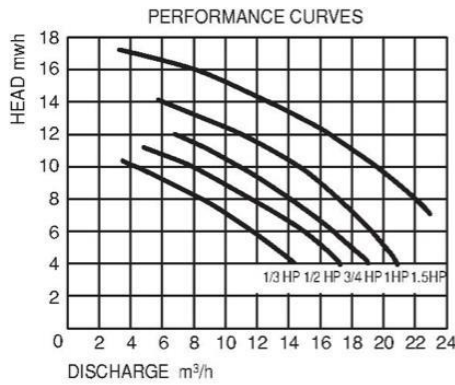


TECHNICAL DATA SHEET

"Pool Technology"

INTRODUCTION :

GEMAS STREAMER MINI Self-priming, thermoplastic body Monoblock Pool Pump; complete with pre-filter and 40° rotated easy access lid system Pump shaft in AISI 316 quality stainless steel. Suction & Discharge 1 1/2". Connections are with unions. 2850 rpm - IP 55 Motor. Highest power model has a noise level below 62 db, which makes it a uniquely quiet pump!



PUMP TYPE	HP	CONDENSER (µF)	AMPERES			HEAD mwh										
			II	III		4	6	8	10	11	12	14	16	17		
			220 V	220 V	380 V	DISCHARGE m³/h										
STRM-0,33M	0,33	16	2,73	-	-	14,10	11,60	8,30	4,00	-	-	-	-	-	-	-
STRM-0,50M	0,50	20	3,88	2,33	1,35	17,20	14,90	11,40	7,90	4,80	-	-	-	-	-	-
STRM-0,80T/M	0,75	25	5,15	3,03	1,75	18,90	16,70	13,50	10,80	9,00	6,80	-	-	-	-	-
STRM-1,00T/M	1,00	30	7,02	4,42	2,55	20,80	19,30	17,10	14,90	13,20	10,50	6,00	-	-	-	-
STRM-1,50T/M	1,50	30	7,65	4,60	2,80	26,00	24,80	22,00	19,50	18,00	16,50	12,50	15,00	-	-	-

PUMP TYPE	DIMENSIONS												Net Weight (Kg)		Gross Weight (Kg)	
	DNA	DNI	A	K	B	C	D	E	F	G	H	L	Mo.	Tri.	Mo.	Tri.
STRM-0,33M	11/2"	11/2"	500	70	175	280	125	230	255	205	175	300	8,750	-	7,750	-
STRM-0,50M	11/2"	11/2"	500	70	175	280	125	230	255	205	175	300	9,150	-	8,150	-
STRM-0,80T/M	11/2"	11/2"	500	70	175	280	125	230	255	205	175	300	11,050	11,350	10,050	10,350
STRM-1,00T/M	11/2"	11/2"	500	70	175	280	125	230	255	205	175	300	12,050	11,450	11,050	10,450
STRM-1,50T/M	11/2"	11/2"	500	70	175	280	125	230	255	205	175	300	12,150	11,550	11,150	11,550

SUCTION PIPE DIMENSIONS

PUMP TYPE	STRM-33M	STRM-50M	STRM-80T/M	STRM-100T/M	STRM-150T/M
Ø SUCTION PIPE	1 1/2" (Ø50 mm)	1 1/2" (Ø50 mm)	2" (Ø63 mm)	2" (Ø63 mm)	2 1/2" (Ø75 mm)

PS: It is recommended to use conical reduction at the suction line of the pump

