



GEMAS FILTREX HB SAND FILTERS TECHNICAL DATA SHEET

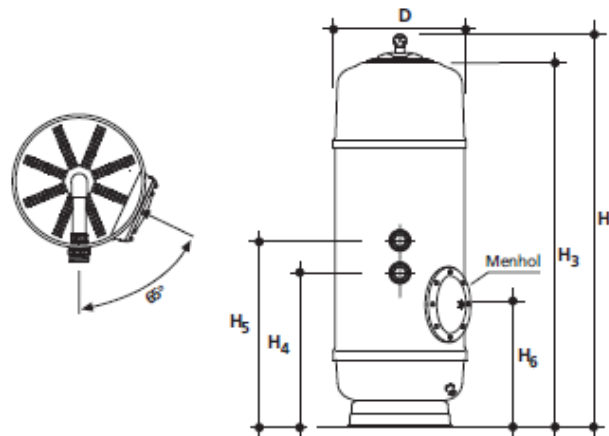


"Pool Technology"

Introduction:

Filter shell made of fiberglass reinforced laminated polyester, including pressure gauge, air purge and multiport valve. Collector with laterals. Bed depth 100 cm. Test pressure 3.5 kg/cm². Max. operation pressure 2,5 kg/cm². Please ask price for 4,0 and 6,0 kg/cm² operation pressures. Sight Glass is optional.

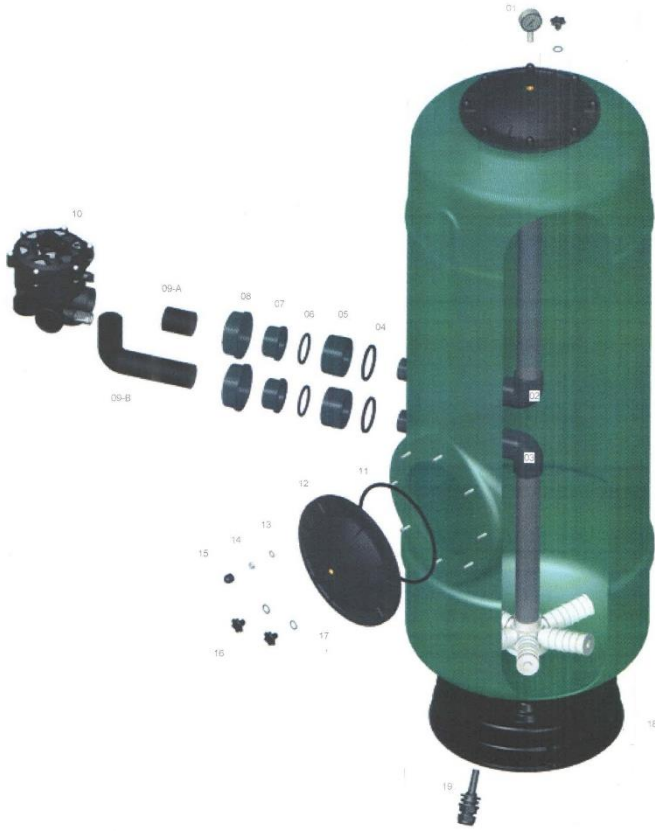
Details:



MODEL	HB 500	HB 630	HB 710	HB 800	HB 900	HB 1000
D (mm)	500	630	720	800	900	1000
H ₁ (mm)	1545	1525	1690	1780	1765	1940
H ₂ (mm)	-	-	-	-	-	-
H ₃ (mm)	1430	1410	1575	1665	1650	1840
H ₄ (mm)	605	590	690	605	700	500
H ₅ (mm)	735	720	815	885	825	1460
H ₆ (mm)	580	630	565	310	715	1000
CONNECTIONS (Ø)	1 1/2"	1 1/2"	2"	2"	2"	2 1/2"
FLOW (m ³ /h) (40 m ³ /h/m ²)	8	12	16	20	25	32
ANTHRACITE 0,8 - 1,6 mm (lt)	150,000	200,000	250,000	320,000	470,000	580,000
QUARTZ SAND 0,5 - 1 mm (Kg)	150,000	200,000	250,000	320,000	470,000	580,000
QUARTZ SAND 1 - 3 mm (Kg)	100,000	150,000	215,000	270,000	420,000	577,000
NET WEIGHT (Kg)	30,000	35,200	55,000	71,000	78,500	95,000



Part Lists:



No	Description	Qty
01	Manometer	1
02	Inside set (Top)	1
03	Inside set (Bottom)	1
04	Filter Connection O-Ring (Outer)	2
05	Filter Connection Body	2
06	Filter Connection O-Ring (Inner)	2
07	Pipe Connection	2
08	Filter Connection Nut	2
09-A	L-Shaped Elbow Pipe Part	1
09-B	L-Shaped Elbow	1
10	Side Multiport Valve Slip Conn.	1
	Side Multiport Valve Thd. Conn.	1
11	Filter Lid Oring	2
12	Filter Lid	2
13	Washer Inox M8	16
14	Inox Nut M8	16
15	Filter Lid Screw Cap (Small)	16
16	Air Purge	3
17	Air Purge O-Ring	3
18	Filter Bottom Plastic Base	1
19	Water Drainage Piece	1



No	water Drainage Part Description	Qty.
01	Water Drainage Nozzle	1
02	Water Drainage Nozzle Gasket	2
03	Water Drainage Nut	1
04	Water Drainage Purge Nut Gasket	1
05	Water Drainage Cap	1



No	Inside Bottom Set Part Descriptions
01	PVC PN10 Pipe
02	PVC Elbow
03	Male Threaded Adaptor
04	Filter Collector With 6/8/12 Outlets
05	Filter Collector Lid
06	Filter Candle – No:1 Inner Part
07	Filter Candle – No:2 Inner Part
08	Filter Candle – Outer Part
09	Filter Candle – Blind Cap

Note: Part quantities and diameters depend on filter model.

