



# *"Pool Technology"*

**GSC 101/201/301/  
064251/064261/064271/  
INSTALLATION – USER MANUAL  
KURULUM - KULLANIM KILAVUZU**



**ERTEK**  
[www.ertek.com](http://www.ertek.com)



### Preliminary information

*"Thank you for your trust and support in Gemaş branded products. "*

GEMAŞ Salt Chlorine Generator; It is designed and manufactured to perform salt electrolysis in small and medium-sized household pools.



**The instructions for use must be read carefully before assembly and the assembly process must be performed by experienced technicians. Installed in violation of the assembly instructions; Damages and failures that may occur in products with electrical and water connections are not covered by the warranty.**

**The GEMAŞ Salt - Water Chlorinator is a device designed and manufactured only for salt electrolysis in small and medium-sized pools. Using the purchased device for other purposes; It may pose a danger to the device, the place used and the people using it.**



**The ground connection must be connected to a proper grounding line. Electrical energy should be taken from a line with residual current protection.**



**ATTENTION! Serious injury or even death can occur as a result of electric shock. So, seek help from experienced technicians.**



**In terms of life safety and product; It should be installed in places where children cannot reach.**



**Installation and commissioning must be done by authorized service or experienced electrician and plumber. Otherwise, the manufacturer and the seller cannot be held responsible for the problems that may arise from incorrect installation and commissioning. Repair, maintenance and parts replacement cannot be claimed under warranty.**

## Salt Electrolysis and Its Advantages

Salt electrolysis; It is the name given to the water purification method that allows the salt in the water to be treated to be converted into free chlorine, a strong oxidizing agent, by an electrolytic process. With this technique; There is no need to use a significant part of the chemicals that keep the water clean and hygienic, and the risks of accidents and control that may arise from this use are also eliminated. In damp and hot engine rooms; Fatal accident risks that may arise from mixing chlorine and acids that produce heavy gases are eliminated with this system.

Short storage period of purchased hypo solutions in summer conditions, concentration loss due to heat; significantly increases the attractiveness of the system.

In addition to these, an extremely glowing and clear water quality can be achieved with the high oxidation effect of oxygen radicals produced in addition to chlorine in the process. System; The synchronone works together with the filtration system of the pool and makes the disinfection permanent. The ease of application of the system is at least as high as the superior water quality and hygiene it provides.

**The sparkling and hygienic pool water obtained by the process, the ease of use provided, great savings and safety in chemical usage costs; are the main features that make the system indispensable.**

## 1.PRODUCT FEATURES

- It produces chlorine in the salt concentration in the same proportion as the tear salinity.
- It has a user-friendly interface that provides ease of use with an LCD screen.
- It has an automatic electrode cleaning feature against calcification.
- Thanks to the measurement and control feature between 0 - 14pH, the pool always remains at the desired pH.
- It has a long-lasting titanium electrode.
- It has an electrode life of 16,000 hours.
- It offers the opportunity to adjust to the optimum level by increasing or decreasing the pole change time for cleaning the electrodes.
- Thanks to the Boost operating mode on the device, the instant chlorine need of the pool is provided.
- The pool cover has a closing control input.
- Thanks to the LCD screen, it provides the opportunity to display the current at the moment of operation.
- The device records the total working time.
- It can be easily applied to the existing pool.
- The minimum recommended salinity is 4000ppm (4kg / m3).
- The device can also be used in seawater with 35000ppm.

### 1.1.Technical Specifications

		<b>GSC101 064251</b>	<b>GSC201 064261</b>	<b>GSC301 064271</b>
<b>Chlorine Production</b>		10 g/h	20 g/h	30 g/h
<b>pH Measurement-Control</b>		0-14 pH	0-14 pH	0-14 pH
<b>Supply Voltage</b>		220V AC		
<b>Electrode Current</b>		Max. 2A	Max. 4A	Max. 6A
<b>Electrode Voltage</b>		Max. 24V		
<b>Power Consumption</b>		50W	100W	150W
<b>Max. Pool Dimensions</b>	<b>Temperate</b>	50m <sup>3</sup>	100m <sup>3</sup>	170m <sup>3</sup>
	<b>Tropical</b>	35m <sup>3</sup>	65m <sup>3</sup>	110m <sup>3</sup>
<b>Maximum Flow</b>		450 l/min		
<b>Maximum Pressure</b>		320 Kpa		
<b>Pressure Drop</b>		5 Kpa		
<b>Cell Type</b>		Bipolar		
<b>Salt Concentration</b>		4-35gr/l ppm		
<b>Cell Material</b>		PMMA		
<b>Electrode Material</b>		Titanium		
<b>Device Dimensions</b>		24X32X13cm		
<b>Device Weight</b>		2.4Kg		
<b>Panel Sizes</b>		78X56X19cm		
<b>Box sizes</b>		81X60X24cm		
<b>Box Weight</b>		11,5Kg		

**2.ASSEMBLY - INSTALLATION**



Assembly and installation must be done by authorized service or experienced electrician and plumber. Otherwise, the manufacturer and the seller cannot be held responsible for the problems that may arise from incorrect installation and commissioning. Repair, maintenance and parts replacement cannot be claimed under warranty.

Before starting the assembly, make sure that the following conditions are met by taking the safety precautions regarding electricity and water for the device to work smoothly and for your life and property safety.

**Electrical Disclosure**



Electrical and mechanical measures have been taken to protect the safety of life and property in the Salt - Water Chlorinator. For electrical measures to fulfill their function, warnings regarding residual current relay and grounding must be taken into account.

- **Leakage relay:** Use a CE certified residual current relay that you are sure it works. Make sure that the relay you will use controls the Salt - Water Chlorinator. Strictly test the Residual Current Relay every year.



The manufacturer/seller cannot be held responsible for any problems that may arise from failure of the Leakage Current Relay, subsequent failure, cancellation, not connecting the grounding cable, and poor grounding.

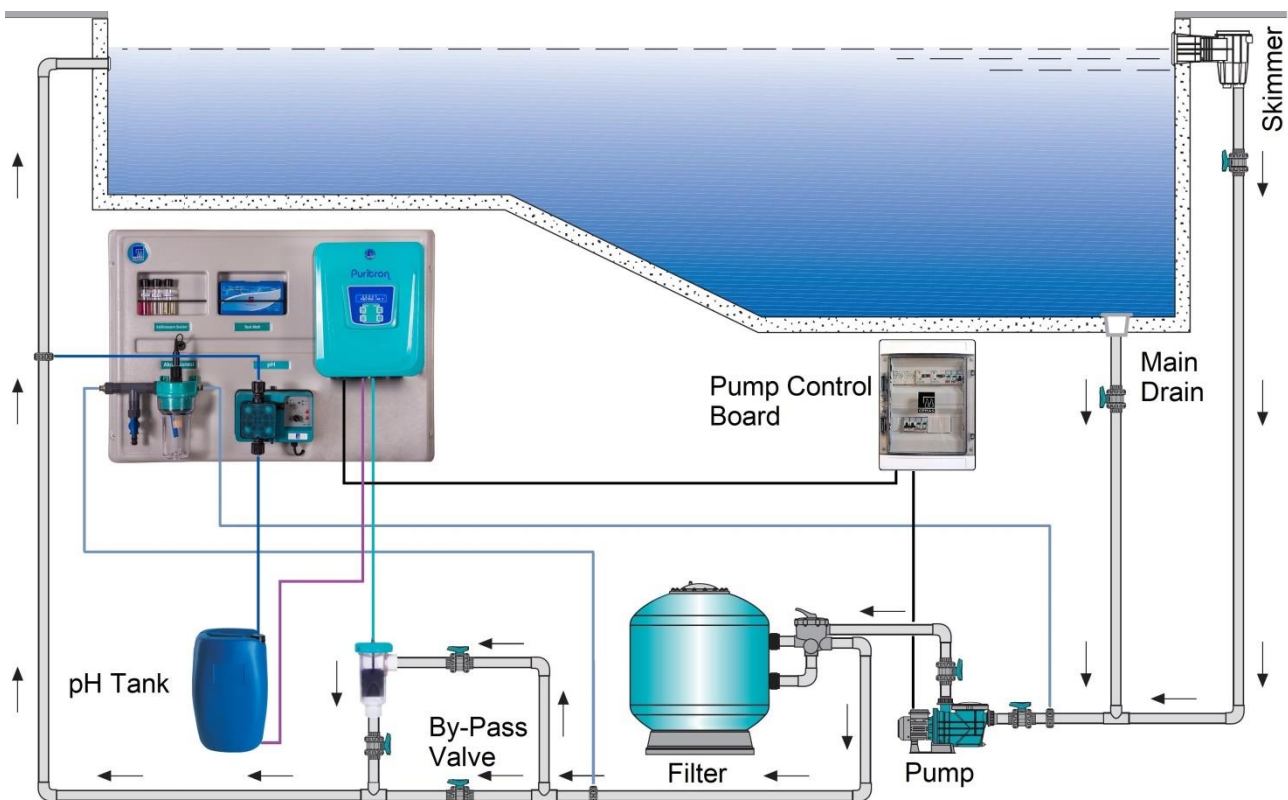
- **Supply Cable:** The device supply cable should be at least 3x1.5 mm.
- **Grounding:** Make sure that the grounding in your facility is well established. Connect the grounding line of the installation to the device. Test the ground line if necessary. You should see the voltage value you see between phase and neutral also between phase/ground. The voltage value between neutral and ground should be at most 2 V AC.

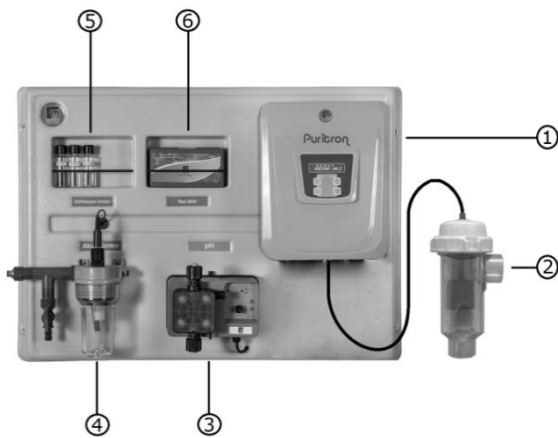
**L-N: 220V AC**

**L-PE: 220V AC**

**N-PE: Maximum 2V AC**

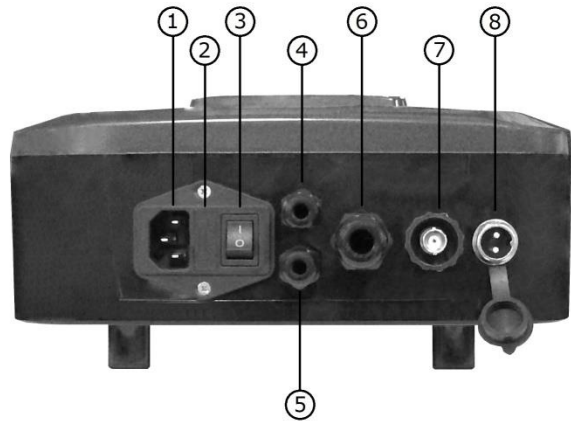
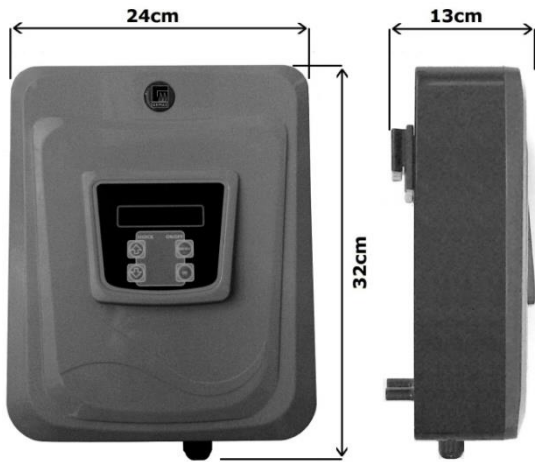
**Installation Scheme**





- 1. Control unit
- 2. Electrode Cell
- 3. pH Dosing Pump
- 4. Flow Cell and pH Sensor
- 5. Calibration Fluids
- 6. Test Kit

**2.1. Control Unit Installation**



- 1. Power Cord Input Socket
- 2. Glass Fuse Slot
- 3. Device On / Off (On / Off) Switch
- 4. pH Reducer / Booster Dosing Pump Cable Outlet Gland
- 5. pH Reducer / Booster Fluid Tank Level Sensor Inlet Fitting
- 6. Electrode Cable Outlet Gland
- 7. pH BNC Socket
- 8. Pool Cover Closing Control Connection Socket (Dry Contact Switch)

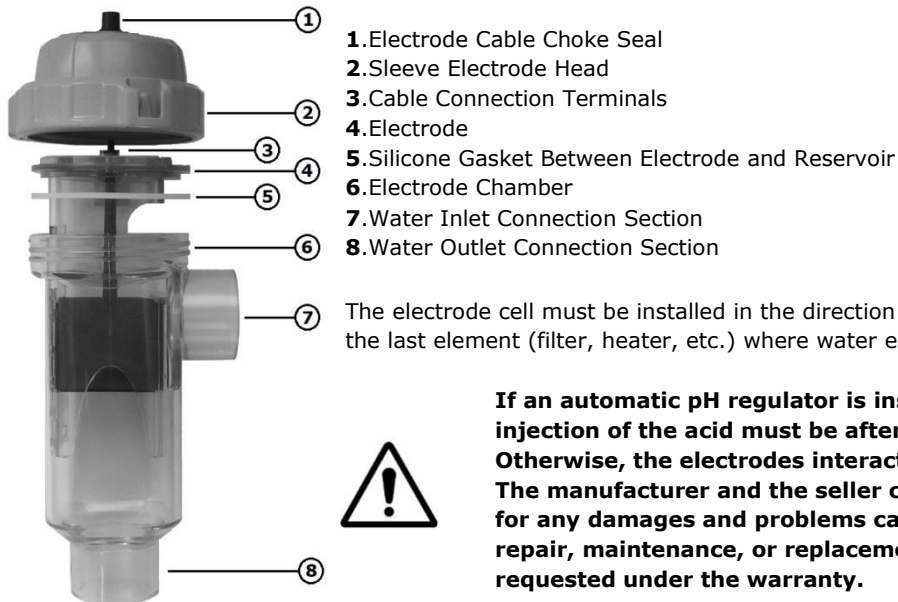
The control unit is mounted on the panel. There are auxiliary elements on the panel that vary depending on the model of the device. On the board; control unit, flow cell, pH sensor, pH booster/reducer fluid dosing pump, sensor calibration fluids, and test kit.

- A place that will provide easy access and reading must be determined for mounting the control panel.
- The control panel must be in a place with airflow, protected from rain, and without any water leakage hazard.
- If there are acid tanks in the area where the control panel is located, there must be airflow in the environment. Otherwise, electronic components may corrode with the effect of acid.
- The control panel must be thought to be at most 1.5m away from the electrode cell.
- Mark the hole locations on the wall that you will mount for mounting.
- Drill holes in the marked places, fix the control board with the help of dowels and screws.
- Connect the ground wire (yellow and green) of the 220V AC power unit cable to the grounding line of the installation. Connect the phase (brown) and neutral (blue) wires to the outputs of the pump contactor.

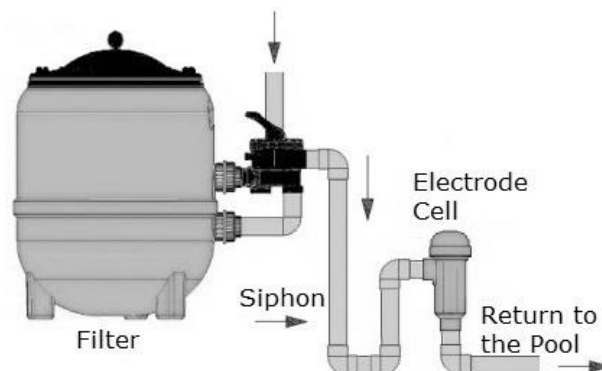


**Salt - Water Chlorinator must be used parallel to the pump and while the water is circulating in the cell. The device must not be operated without water flow in the cell.**

## 2.2. Electrode Cell Assembly



- Hard PVC adhesive must be used for pipe mounting to the electrode chamber and must be allowed to dry completely before installing the electrode.
- Electrode; it must be seated in the correct direction. The open part of the electrode must be inserted with the water inlet pipe connection. Make sure the silicone gasket is in place and sealed tightly.
- Connect the electrode cable through the cable choke seal and the threaded electrode head to the cable connection terminals. Close the threaded electrode head.
- It is recommended to install the three-valve bypass circuit as much as possible. In this way, it allows the amount of water passing through the cell to be adjusted and the pool to work while it is removed from the electrode chamber. The bypass circuit in the pump, which operates at a certain power, prevents the electrodes from being damaged by vibration by decreasing the transition speed.
- The electrode cell can be used in a vertical and horizontal position, but it is recommended to use it as vertical as the environment allows. The vertical position allows the emptying of the chamber without pouring water. Besides, enough space is provided to remove the electrode head and electrode.
- If the cell is installed at a height below the filter outlet, gases produced by electrolysis can accumulate in the chamber, which can damage the filtration elements. As seen in this picture, it can be prevented by making a plumbing.



### 2.3. Pool Water

It is recommended to use mains water for the pool. If you are supplying water from other sources, please analyze the water and make sure that there are no high concentrations of metals and calcium that are not suitable for the operation of the system. Also check the compliance of water with human health standards.

Before operating the Salt - Water Chlorinator, adjust the pool water values and discard 1 kg of chlorine stabilizer for 25 m<sup>3</sup> of water (20-30 ppm or as specified by the stabilizer manufacturer).



**Stabilizer prevents chlorine from disappearing due to UV rays. Stabilizer deficiency forces more chlorine production, which shortens the life of the cell. On the other hand, the high stabilizer affects the disinfection feature of chlorine.**

The water of the pool must meet the following values.

<b>Salt</b>		5 – 6 Kg/m <sup>3</sup>
<b>pH</b>	Concrete Pool	7.2 – 7.6
	Polyester	6.8 – 7.0
<b>TAC</b>		60 – 100 ppm
<b>TH</b>		15 – 20 French
<b>Stabilizer</b>		20 – 30 ppm (or manufacturer's recommendation)
<b>Temperature</b>		>10°C

### 2.4. Adding Salt

- During the salt addition process, the system must be closed completely until all the salt is dissolved. If the system is operated before the salt is completely dissolved, the cell may get irreversible damage. For this reason, damage will result in the product being out of warranty.
- Calculate the water volume of the pool, salt must be thrown so that there is a salt concentration of 5-6 kg per cubic meter. During this process, make sure that the Salt - Water Chlorinator is not connected and do not operate the filtration system for 24 hours.
- In a newly coated pool, wait for 4 weeks after coating without adding salt.
- The dissolution rate of salt can be accelerated by using a pool cleaner. Make sure that the salt concentration is 5-6 kg / m<sup>3</sup>.
- The Salt - Water Chlorinator does not consume salt, but its concentration may decrease due to rain and water supplements.



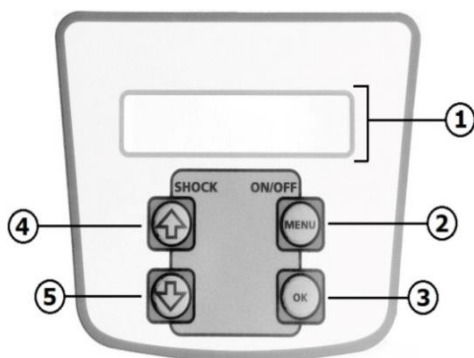
**In cases where you need to add salt, pour the salt as close to the return line as possible. Never pour into skimmers or suction strainers.**



**3.COMMISSIONING - USE**

- Review the electrical and water installation. Be sure to follow the assembly instructions written above correctly. If there is no deficiency or error, you can start the commissioning process.
- Open the water inlet and water outlet valves, turn off the bypass valve. Make sure there are no water leaks in the valves and the chamber.
- Make sure that phase, neutral and ground wires are properly connected. Remember, the device will work with the pump and shut down with the pump. Open the residual current relay/fuse. Check the supply terminals with the control pen or gauge.
- Turn on the device using the on / off switch at the bottom of the device. The control screen on the front of the device will be energized. There will be a closed mode screen on the control screen.
- The generator will work at the factory settings. If you want to change these settings, you can make the necessary changes with the help of the user guide.

**3.1. Control Panel and Settings**



**1.** 2x16 LCD screen; information and warnings about the device are displayed.

**2.** The device performs the functions of ON / OFF (switching on / off), entering the setting menu (the device is turned off, pressed for 3 seconds when it is OFF), and exit the pages and parameters in the setting menu.

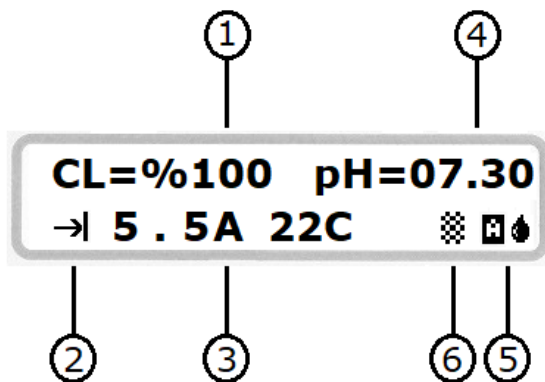
**3.** Selection of the pages and parameters in the setting menu, performs the functions of confirming and saving the set parameters.

During the operation by holding it down for 3 sec., the device switches to boost mode and runs at full capacity for 8 hours.

**4.** In the settings menu, it performs the functions of passing to the next page or parameter and increasing the parameter values.

**5.** In the settings menu, it performs the functions of switching to a sub-page or parameter and decreasing parameter values.

**3.1.1. Control Panel Operation Screen Icons and Values**



**1.CI Production Rate:** This section shows the instant CL production rate. It can be increased or decreased by using the arrow keys.

**2.CL Production and Polarization Icon:** 3 different icons appear in this section:

- Correct directional polarization icon.
- ← Reverse directional polarization icon. Operating in reverse polarization does not harm the device. The lime cleaning feature on the electrodes is activated.
- ⊥ No polarization. CI is not produced. Polarization change is made.

**3.** This section shows errors and warnings that affect CI production. By pressing the OK button once, the instantaneous current value drawn during production is shown. Detailed information about faults is explained in the **Fault Codes and Suggested Solutions** section.

**4.** It is the part where the instant pH value measured is displayed.

5.It is the pH reducer/booster dosing control mode icon. Two different icons appear in this section.



**pH mode:** It is in the AUTO position and dosing is done.



**pH mode:** It is in the AUTO position and no dosing is made.



**6.It is the icon of pool cover. It is available in the devices with the pool cover closing control.**

Thanks to the pool cover closing control on the device; It provides the ability to adjust the chlorine production rate when the cover is closed. A switch with N.O contact (Dry Contact) is connected to the pool cover closing control connection socket. When the pool cover is closed, the signal coming from the switch turns the device to the cover mode and its icon appears on the screen. When the device is operating in the covered mode, the desired production value is increased and decreased by the direction buttons.

**3.2. SETTING MENU**

The setting menu is an interface with the setting pages and parameters of the device. It allows the device to operate at an optimum level with the changes and adjustments made. The device is switched off to enter the setup menu. An image like the one will be displayed on the LCD screen. The **MENU** button is kept pressed for 3 seconds while the device is in the OFF position. The device will automatically switch to the setting menu.

Setting menu contents are shown in the table on the right. In the table, the setting pages and the parameters in the pages are indicated.



Settings	
<b>1 - POLARITY PERIOD</b>	POLARMA HOUR
<b>2 - LANGUAGE</b>	ENGLISH TURKISH FRENCH BULGARIAN GERMAN HUNGARIAN SPANISH
<b>3 - PH SETTINGS</b>	PH MOD PH SET PH TOL. PH BUF. SEC PH CALIBRATION READ PH PH LVL. SEC
<b>4 - P.COVER PROC.</b>	P.COVER CL
<b>5 - PROGRAM MENU</b>	PASSWORD

**3.2.1. POLARITY PERIOD**

Although the physical properties of the water used vary depending on geographical regions, it inevitably contains certain amounts of calcium, magnesium, iron, and other minerals. While the water is cold, these suspended minerals dissociate from the water during electrolysis, some of them stick to the electrodes in the chamber. After a certain period, the electrodes are completely covered with the substance called lime. Since the lime layer is insulating, it complicates the flow of electricity between the electrodes. As a result, chlorine production efficiency decreases. This lime formed in the electrodes must be cleaned periodically.

This cleaning process; It has the feature to do it automatically by changing the polarization. Polarity period page is the page where the polarization change time is set. The OK button is pressed once to enter the page, and to exit the page, the MENU button must be pressed once. When entering the setting page, the parameter value is changed with UP and DOWN direction buttons. When the desired value is given, it is selected and saved with the OK button.



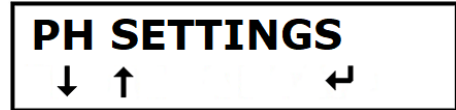
**3.2.2.LANGUAGE**

It is the page where the working language of the device is set. There are English - TURKISH - FRENCH - BULGARIAN - GERMAN - HUNGARIAN - SPANISH languages defined on the device. The OK button is pressed once to enter the page, and to exit the page, the MENU button must be pressed once. The working language is changed with UP and DOWN direction buttons. When the desired working language is displayed, the OK button is pressed once and the working language is selected and saved.



### 3.2.3. PH SETTINGS

It is the page where pH settings are made. The OK button is pressed once to enter the page, and to exit the page, the MENU button must be pressed once. Direction buttons UP and DOWN are used to switch between parameters on the page.



**NOTE:** Models without pH measurement feature do not have this setting page.

#### 3.2.3a.pH Mode

It is the parameter that the dosing mode of pH decreasing or rising liquid is set. The OK button is pressed once and the parameter is entered, to exit, the MENU button must be pressed once. UP and DOWN buttons are used to switch between Mod in the parameter. There are three options in this parameter. (OFF - ON - AUTO)



**pH Mode OFF:** When this Mode is set, the pH portion dosing is turned off, the dosing pump will de-energize. By pressing the OK button once, the mode is selected and saved in the system.



**pH Mode ON:** When this Mode is set, the pH portion dosing pump is continuously energized and dosing. For safety reasons, it can only be set to ON on the parameter. Once the mode is selected by pressing the OK button once, it is saved as AUTO in the system.



**pH Mode AUTO:** When this Mode is set, the dosing of the lowering or increasing liquid is done by the value read in the pH sensor and the set value. Dosing stops automatically when the desired value is found.



#### 3.2.3b.pH Set

pH set value; It is the desired pH value of the pool. Dosing is done by comparing the value read with the sensors with the set value entered here. Dosing pH lowering or increasing liquid ensures that the pool is at the desired pH.



The OK button is pressed once and the parameter is entered, to exit the parameter, the MENU button must be pressed once. After entering the parameter, a screen like the one shown is displayed. The value here is changed with the UP and DOWN directional buttons. When the desired value is given, it is selected and saved with the OK button and the parameter is automatically exited.



#### 3.2.3c.pH Tolerance

pH tolerance; It is the shear of the adjusted pH set value. The reason for giving this value is that dosing does not occur with the effect of fluctuation in the measurement. Thus, a more stable system is created.



The OK button is pressed once and the parameter is entered, to exit the parameter, the MENU button must be pressed once. After entering the parameter, a screen like the one shown is displayed. The value here is changed with the UP and DOWN directional buttons. When the desired value is given, it is selected and saved with the OK button and the parameter is automatically exited.



### 3.2.3d.pH Buffer Sel

pH buffer flood; It is the parameter that the liquid to be dosed is introduced to the device whether it is a pH reducer or a pH booster.

The OK button is pressed once and the parameter is entered, to exit the parameter, the MENU button must be pressed once. After entering the parameter, a screen like the one shown is displayed. The situation here is changed with the UP and DOWN directional buttons. When the desired state is given, it is selected and saved with the OK button and the parameter is automatically exited.

**PH SETTINGS  
PH BUF. SEL.**

**PH SETTINGS  
PH BUF. SEL. (-)**

### 3.2.3e.pH Calibration

Measurement values change over time due to the characteristic structure of pH sensors. The change in the sensor measurement value affects the value displayed by the device. For this reason, the sensors must be calibrated periodically with liquids with a known pH value (pH4-pH7). The pH Calibration parameter is used to perform this operation.

The OK button is pressed once and the parameter is entered, to exit the parameter, the MENU button must be pressed once. After entering the parameter, a screen like the one shown is displayed. The pH sensor is first immersed in the pH4 liquid and the sensor is left in the liquid until the timer on the screen is reset.

**PH SETTINGS  
PH CALIBRATION**

**PH CALIBRATION  
INSERT PROBE pH4**

**INIT pH4: 4.32  
TIMER: 58**

**PH CALIBRATION  
INSERT PROBE pH7**

**INIT pH7: 06.72  
TIMER: 58**

When the timer is reset, the pH sensor needs to be immersed in pH7 liquid and a message appears on the screen. The sensor is removed from the pH4 liquid and dried, immersed in the pH7 liquid and pressed the OK button once. The sensor is left in the liquid until the timer on the screen is reset. When the timer is reset, the pH sensor is calibrated.

### 3.2.3f. pH Read

pH read parameter; It is the parameter that shows the instantaneous value that the pH sensor reads. The OK button is pressed once and the parameter is entered, to exit the parameter, the MENU button must be pressed once.

After entering the parameter, a screen like the one shown is displayed. No action is taken, only the reading the sensor displays instantly.

**PH SETTINGS  
PH READ**

**PH SETTINGS  
PH READ pH=07.00**

### 3.2.3g.pH Lvl. Sel.

pH lvl sel parameter; It is the parameter where the optional sensor connected to the pH reducer or booster liquid tank to be dosed is introduced. The OK button is pressed once and the parameter is entered, to exit the parameter, the MENU button must be pressed once.

**PH LVL. SEL. OFF:** It must be selected when there is no sensor connected to the liquid tank to be dosed.

**PH SETTINGS  
PH LVL. SEL.**

**PH SETTINGS  
PH LVL. SEL. OFF**

**PH LVL. SEL. ON:** If there is a sensor connected to the liquid tank to be dosed, it must be selected. Thanks to the connected sensor; the device gives a warning when the liquid in the tank is drained or drops below the specified level. In this case, the device stops the dosing pump and prevents the pump from working and being damaged without liquid.

**PH SETTINGS  
PH LVL. SEL. ON**

### 3.2.4.P.COVER PROC.

Thanks to the pool cover closing control on the device; It provides the ability to adjust the chlorine production rate when the cover is closed.

A switch with N.O contact (Dry Contact) is connected to the pool cover closing control connection socket. When the pool cover is closed, the signal coming from the switch turns the device to the cover mode and its icon appears on the screen. When the device is operating in the covered mode, the desired production value is increased and decreased by the direction buttons.



### 3.2.5.PROGRAM MENU

It is the setting page where GEMAS technical personnel can intervene. Modifying this page may damage the overall operation of the device.

## 3.3. Use of the device

### 3.3.1. Switching the Device to On (ON) - Off (OFF) Mode

When the GSC Salt Water Chlorinator is energized and started, the switch at the bottom of the device (2.1. Control Unit Installation, Item 3) must be turned on. The device will be in On (ON) or Off (OFF) mode according to the last mode it was in. The mode in which the device is can be understood from the status of the LCD display. The production screen is displayed when the device is in the ON mode, and the "PURITRON" is displayed in the OFF mode.

### 3.3.2. Switching the Device to Chlorine Production

The device is turned on with the on / off button (3.1. Control Panel Item 2). Instantaneous CL production percentage, polarity direction icon will appear on the screen of the device. In the meantime, the CL production percentage can be increased or decreased by pressing the direction buttons. Also, if the OK button is pressed once, the current drawn by the electrodes is shown and then it will disappear automatically.

### 3.3.3. Switching the Device to Boost Mode

Thanks to the Boost Mode on the device, the chlorine need of the pool is provided quickly. The Boost Mode allows that the device runs at full capacity for 8 hours and then returns to the production capacity set in the normal operation. **When the device is in ON mode, the device is switched to Boost mode by holding down the OK button for 3 seconds.** When the device is in boost mode, "BOOST" appears where CL production rate is shown.



**While the device is working in Boost mode ; changing the production capacity with the direction buttons takes the device out of Boost mode.**

### 3.3.4. Operating the Device with the Pool Cover

Thanks to the pool cover closing control on the device; it allows the adjustment of chlorine production rate when the cover is closed. A dry contact switch is connected to the pool cover closing control connection socket. When the pool cover is closed, the signal from switch brings the device to the cover mode and its icon appears on display. When the device operates in the "covered" mode, the desired production value is increased and decreased by the direction buttons.

## 4.CLEANING - MAINTENANCE INSTRUCTIONS

### 4.1. Electrode Cleaning

Although the physical properties of the water used vary depending on geographical regions, it inevitably contains certain amounts of calcium, magnesium, iron, and other minerals. While the water is cold, these suspended minerals decompose from water during electrolysis, some of them stick to the electrodes in the chamber. After a certain period, the electrodes are completely covered with the substance called lime. Since the lime layer is insulating, they complicate the flow of electricity between the electrodes. As a result, chlorine production efficiency decreases. This lime formed in the electrodes must be cleaned periodically.

This cleaning process; It has the feature to do it automatically by changing the polarization. However, in cases where the calcium concentration is too high, this feature may not completely remove the limescale. Regularly check the lime sediment in the cell and, if necessary, clean the cell manually.

1. Turn off the pump and salt chlorine generator.
2. Close the water inlet and water outlet valves of the electrode cell.
3. Open the threaded electrode head, properly disconnect the electrode cable from the terminal and remove the electrode from the chamber.
4. Ideally, if the electrode is expected to dry for a day, the lime residue releases itself. During the process, be careful not to damage the sensitive cover of the electrode and take care. During this process, never hit with metal material that can scratch the electrode. Pressurized water can be used to dissolve limescale.
5. If the pressurized water could not remove the limescale, you can immerse the electrode in a 20% hydrochloric acid solution. The terminals at the top of the electrode must not touch the solution.
6. Immediately after cleaning, the electrode must be rinsed with clean water, the place of the terminals must be carefully dried and reassembled.

**Never leave the electrode in acid for more than 5 minutes! Do not scratch the electrode with metal objects! For safety reasons, dilute the acid with water !**

### 4.2. Advices

The bipolar cells of the GSC salt chlorine generator are manufactured using a special technique, providing an extraordinary period and resistance below the high-quality standards. However, some factors prevent you from getting the full and longest performance from the electrode. These:

- Run with lime residue on the surface of the electrode
- Excessive chlorine concentration (over 3.00 ppm chlorine is corrosive.)
- Working with high or low pH
- Working with salt-free or high concentration salt
- Operating in water below 10 ° C
- Adding salt while the chlorinator is running
- Injecting pH regulator without placing skimmer or bottom strainer

It is recommended to periodically check the cell terminals and lubricate against sulfurization. Situations where you need to turn off the equipment:

- Working without water
- While cleaning the filter
- When emptying the pool
- When the water freezes
- While cleaning the cell

### 4.3. Fault Codes and Suggested Solutions

Fault Code	Possible Failure	Solution Way
ERR1	Cable is broken or not touching	Check cable and connection terminals, replace if necessary.
	Electrode wiring problem	Check electrode cable connection terminals.
	Heavy lime	Clean the lime from the cell and reduce the polarity period.
ERR2	There is lime	Clean the lime from the cell and reduce the polarity period.
	The water is too hard	Soften the water.
ERR3	Device output has a short circuit	Check device electrode cable, electrode connection terminals, and replace it if necessary.
ERR4	Electronic card failure	Contact the manufacturer.

### 5. WARRANTY - AFTER-SALES SERVICE - SPARE PARTS

1. Control unit and electrode cells are under a two-year warranty.
2. The products are taken out of the scope of warranty by the following items.
  - a. Malfunctions caused by using the product contrary to the operating instructions.
  - b. Malfunctions due to incorrect electrical connections.
  - c. Faults caused by crash and similar accidents.
  - d. Water malfunctions in the control unit.
  - e. Faults resulting from operation without a bypass circuit (according to the wiring diagram).
  - f. Malfunctions caused by acid spillage into the skimmer without shutting down the control unit.
  - g. Malfunctions caused by insufficient air circulation in the engine room where the acid tank used for disinfection is located.
  - h. The Puritron; It must not be in the same environment with cleaning equipment, including pumps, filters, and multi-way valves.

## Ön Bilgi

"Gemaş markalı ürünlere gösterdiğiniz güven ve desteğiniz için teşekkürler. "

GEMAŞ Tuz Klor Jeneratörü; küçük ve orta ölçekli ev havuzlarında tuz elektrolizi işlemini gerçekleştirmek amacıyla tasarlanmış ve üretilmiştir.



**Kullanma talimatı, montaj yapılmadan önce dikkatli bir şekilde okunmalı ve montaj işlemi tecrübeli teknisyenler tarafından yapılmalıdır. Montaj talimatına aykırı şekilde montajlanan; elektrik ve su bağlantıları yapılan ürünlere oluşabilecek hasar ve arızalar garanti kapsamı dışındadır.**

**GEMAŞ Tuz Klor Jeneratörü sadece küçük ve orta ölçekli havuzlarda tuz elektrolizi işlemi için tasarlanmış ve üretilmiş bir cihazdır. Satın alınan cihazı başka amaçlar için kullanmak; gerek cihaz için, gerekse kullanılan mahal ve kullanan kişiler için tehlike arz edebilir.**



**Topraklama bağlantısını düzgün bir topraklama hattına bağlayarak gerçekleştiriniz. Elektrik enerjisi kaçak akım koruması bulunan bir hattan alınız.**



**DİKKAT! Elektrik çarpması sonucu ciddi yaralanmalar hatta ölümler meydana gelebilir. Bu yüzden tecrübeli teknisyenlerden yardım isteyiniz.**



**Can güvenliği ve ürün açısından; Montajı çocukların ulaşamayacağı yerlere yapılmalıdır.**



**Montaj ve devreye alma işlemleri kesinlikle yetkili servis veya tecrübeli elektrikçi ve tesisatçı tarafından gerçekleştirilmelidir. Aksi halde hatalı montaj ve devreye almadan kaynaklanabilecek sorunlardan üretici ve satıcı firma sorumlu tutulamaz. Garanti kapsamında tamir, bakım ve parça değişimi talep edilemez.**



### Tuz Elektrolizi ve Avantajları

Tuz elektrolizi; arıtılacak suyun içerisinde bulunan tuzun elektrolitik işleme, kuvvetli bir oksidasyon ajanı olan serbest kloru dönüştürülmesini sağlayan su arıtma metoduna verilen isimdir. Bu teknikte; suların temiz ve hijyenik kalmasını sağlayan kimyasalların önemli bir kısmının kullanımına gerek kalmamakta, bu kullanımdan kaynaklanabilecek kaza ve kontrol riskleri de ortadan kalkmaktadır. Rutubetli ve sıcak makina dairelerinde; ağır gaz çıkartan klor ve asitlerin birbirine karıştırılmasından doğabilecek ölümcül kaza riskleri bu sistemle ortadan kalkmaktadır.

Satın alınan hipo çözeltilerinin yaz koşullarında depolama süresinin kısalığı, sıcaktan kaynaklı konsantrasyon kaybı; sistemin cazibesini önemli ölçüde arttırmaktadır.

Bunlara ek olarak, proseste klorun yanı sıra üretilen oksijen radikallerinin yüksek oksidasyon etkisi ile son derece ısıtılı ve berrak bir su kalitesi sağlanabilmektedir. Sistem; havuzun filtrasyon sistemi ile birlikte senkronize çalışmakta ve dezenfeksiyonu sürekli kılmaktadır. Sistemin uygulamada getirdiği kolaylık, en az sağladığı üstün su kalitesi ve hijyeni kadar yüksektir.

**Prosesle elde edilen ısıtılı ve hijyenik havuz suyu, sağlanan kullanım kolaylığı, kimyasal kullanım masraflarında büyük tasarruf ve emniyet; sistemi vazgeçilmez kılan temel özellikleridir.**

## 1.ÜRÜN ÖZELLİKLERİ

- Gözyaşındaki tuzluluk ile aynı oranda tuz konsantrasyonundaki suda klor üretir.
- LCD ekran ile kullanım kolaylığı sağlayan kullanıcı dostu bir ara yüze sahiptir.
- Kireçlenmeye karşı otomatik elektrot temizleme özelliği bulunur.
- 0 – 14pH arası ölçüm ve kontrol özelliği sayesinde havuz sürekli istenilen pH değerinde kalır.
- Uzun ömürlü titanyum elektroda sahiptir.
- 16.000 saat elektrot ömrü bulunur.
- Elektrotların temizlenmesi için kutup değişim süresi arttırılıp azaltılarak optimum seviyeye ayarlama imkanı sunar.
- Cihazda bulunan Boost çalışma modu sayesinde havuzun ani klor ihtiyacı karşılanır.
- Havuz örtüsü kapanma kontrol girişine sahiptir.
- LCD ekran sayesinde, çalışma anındaki akımı görüntüleme imkanı sağlar.
- Cihaz toplam çalışma süresini kaydeder.
- Mevcut havuza kolaylıkla uygulanabilir.
- Önerilen minimum tuzluluk 4000ppm'dir(4kg/m<sup>3</sup>).
- Cihaz 35000ppm olan deniz suyunda da kullanılabilir özelliğe sahiptir.

### 1.1.Teknik Özellikler

	<b>GSC101 064251</b>	<b>GSC201 064261</b>	<b>GSC301 064271</b>
<b>Klor Üretimi</b>	10 g/h	20 g/h	30 g/h
<b>pH Ölçüm-Kontrol</b>	0-14 pH	0-14 pH	0-14 pH
<b>Besleme Voltajı</b>	220V AC		
<b>Elektrot Akımı</b>	Max. 2A	Max. 4A	Max. 6A
<b>Elektrot Voltajı</b>	Max. 24V		
<b>Güç Tüketimi</b>	50W	100W	150W
<b>Max. Havuz Ölçüleri</b>	<b>Ilıman</b>	50m <sup>3</sup>	100m <sup>3</sup>
	<b>Tropikal</b>	35m <sup>3</sup>	65m <sup>3</sup>
<b>Maksimum Debi</b>	450 l/min		
<b>Maksimum Basınç</b>	320 Kpa		
<b>Basınç Kaybı</b>	5 Kpa		
<b>Hücre Tipi</b>	Bipolar		
<b>Tuz Derişimi</b>	4-35gr/l ppm		
<b>Hücre Malzemesi</b>	PMMA		
<b>Elektrot Malzemesi</b>	Titanium		
<b>Cihaz Ölçüleri</b>	24X32X13cm		
<b>Cihaz Ağırlığı</b>	2.4Kg		
<b>Pano Ölçüleri</b>	78X56X19cm		
<b>Kutu Ölçüleri</b>	81X60X24cm		
<b>Kutu Ağırlığı</b>	11,5Kg		

## 2.MONTAJ – KURULUM



Montaj ve kurulum işlemleri kesinlikle yetkili servis veya tecrübeli elektrikçi ve tesisatçı tarafından gerçekleştirilmelidir. Aksi halde hatalı montaj ve devreye almadan kaynaklanabilecek sorunlardan üretici ve satıcı firma sorumlu tutulamaz. Garanti kapsamında tamir, bakım ve parça değişimi talep edilemez.

Cihazın sorunsuz çalışabilmesi, can ve mal güvenliğinizi için montaja başlamadan önce elektrik ve su ile ilgili emniyet önlemlerini alarak aşağıdaki koşulların sağlandığından emin olun.

### Elektrik ile İlgili Açıklama



Tuz Klor Jeneratöründe can ve mal güvenliğini korumaya yönelik olarak elektriksel ve mekanik önlemler alınmıştır. Elektriksel önlemlerin işlevini yerine getirebilmesi için mutlaka kaçak akım rölesi ve topraklama ile ilgili uyarıların dikkate alınması gerekmektedir.

- **Kaçak Akım Rölesi:** CE belgeli ve çalıştığından emin olduğunuz bir kaçak akım rölesi kullanın. Kullanacağınız rölenin Tuz Klor Jeneratörünü kontrol ettiğinden emin olun. Kesinlikle her yıl Kaçak Akım Rölesini test edin.



Kaçak Akım Rölesinin takılmamasından, sonradan arızalanmasından, iptal edilmesinden, topraklama kablosunun bağlanmamasından, topraklamanın zayıf olmasından kaynaklanabilecek her türlü sorunlardan üretici/satıcı firma sorumlu tutulamaz.

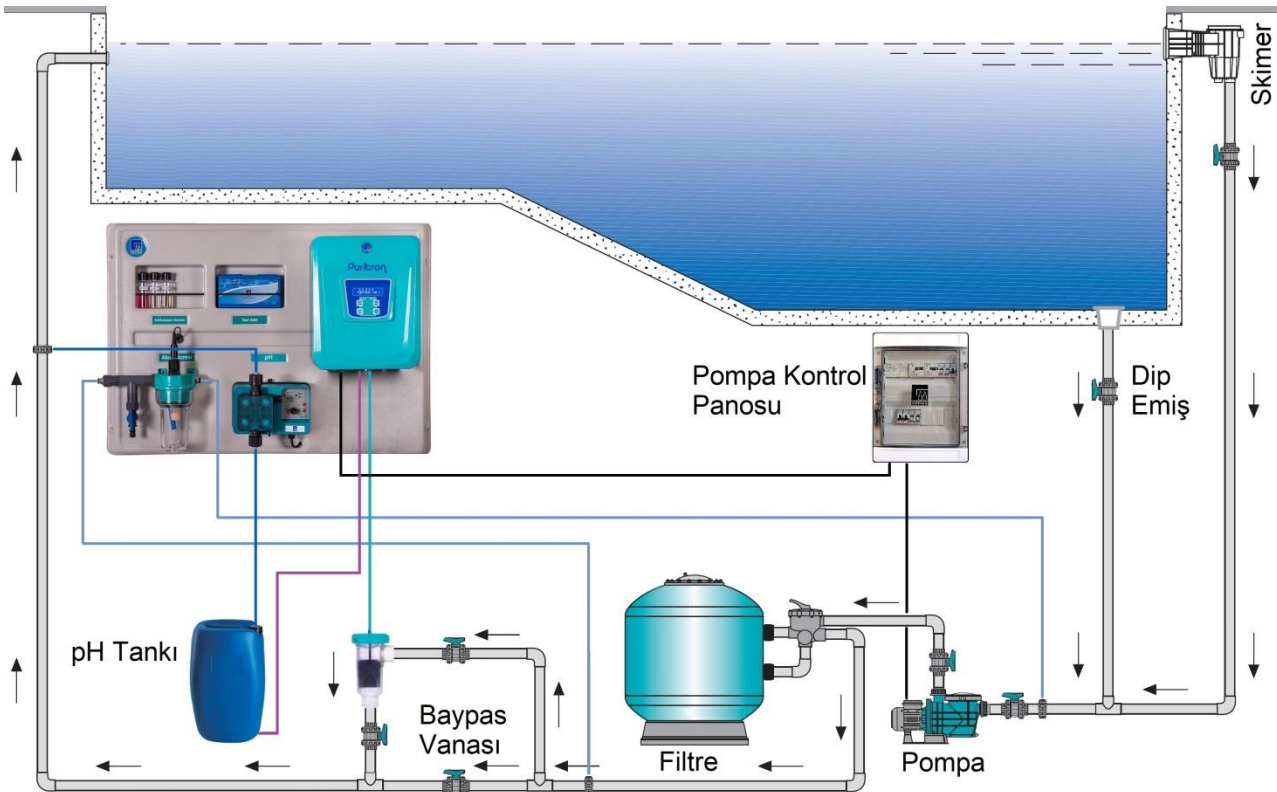
- **Besleme Kablosu:** Cihaz besleme kablosu en az 3x1,5mm olmalıdır.
- **Topraklama:** Tesisinizdeki topraklamanın iyi yapılmış olduğundan emin olun. Tesisatın topraklama hattını mutlaka cihaza bağlayın. Gerekirse topraklama hattını test edin. Faz ile nötr arasında gördüğünüz voltaj değerini faz/toprak arasında da görmemiz gerekmektedir. Nötr ve toprak arası voltaj değeri en çok 2 V AC olmalıdır.

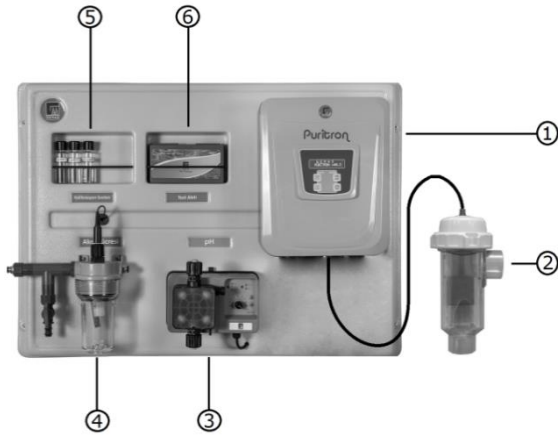
L-N: 220V AC

L-PE: 220V AC

N-PE: Maksimum 2V AC

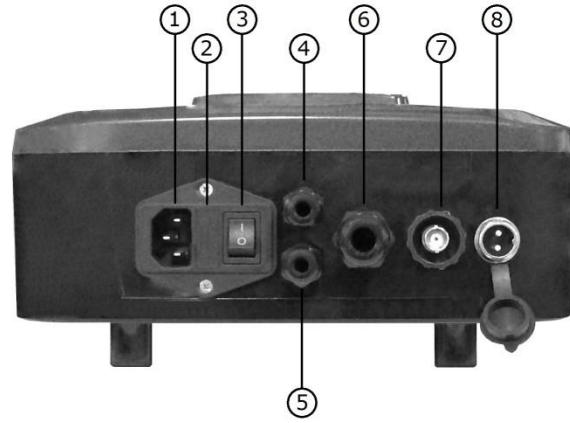
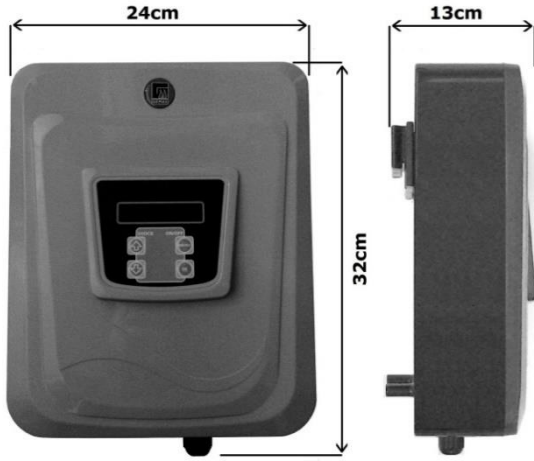
### Tesisat Şeması





- 1.Kontrol Ünitesi
- 2.Elektrod Hücresi
- 3.pH Dozaj Pompası
- 4.Akış Hücresi ve pH Sensörü
- 5.Kalibrasyon Sıvıları
- 6.Test Kiti

### 2.1.Kontrol Ünitesi Montajı



- 1.Güç Kablosu Giriş Soketi
- 2.Cam Sigorta Yuvası
- 3.Cihaz Aç/Kapat (On/Off) Anahtarı
- 4.pH Düşürücü/Yükseltici Dozaj Pompası Kablo Çıkış Rakoru
- 5.pH Düşürücü/Yükseltici Sıvısı Tankı Seviye Sensörü Girişi Rakoru
- 6.Elektrot Kablosu Çıkış Rakoru
- 7.pH BNC Soketi
8. Havuz Örtüsü Kapanma Kontrolü Bağlantı Soketi (N.O Anahtar)

Kontrol ünitesi pano üzerine monte edilmektedir. Pano üzerinde, cihazın modeline göre değişen yardımcı elemanlar bulunmaktadır. Pano üzerinde; kontrol ünitesi, akış hücresi, pH sensörü, pH yükseltici/düşürücü sıvısı dozaj pompası, sensör kalibrasyon sıvıları ve test kiti bulunmaktadır.

- Kontrol panosu montajı için kolay ulaşım ve okuma sağlayacak bir yer belirlenmelidir.
- Kontrol panosu hava akışının olduğu, yağmurdan korumalı ve herhangi bir su sızıntısı tehlikesi olmayan bir yerde olmalıdır.
- Kontrol panosunun bulunduğu bölgede asit tankları var ise ortamda hava akışı olması gerekmektedir. Aksi halde asit etkisi ile elektronik komponentler korozyona uğrayabilir.
- Kontrol panosu elektrot hücresine en fazla 1,5m uzakta olacak şekilde düşünülmelidir.
- Montaj işlemi için monte edeceğimiz duvarda pano üzerinden delik yerlerini işaretleyin.
- İşaretlenen yerlere delikler açın, dübel ve vida yardımı ile kontrol panosunu sabitleyin.
- 220V AC güç ünitesi kablosunun topraklama kablosunu (sarı ve yeşil) tesisatın topraklama hattına bağlayın. Faz (kahverengi) ve nötr (mavi) kablolarını pompa kontaktörünün çıkışlarına bağlayın.



**Tuz klor jeneratörü pompaya paralel olarak ve su hücrede devir daim olurken kullanılmalıdır. Hücrede su akışı olmadan kesinlikle cihaz çalıştırılmamalıdır.**

## 2.2.Elektrot Hücresi Montajı



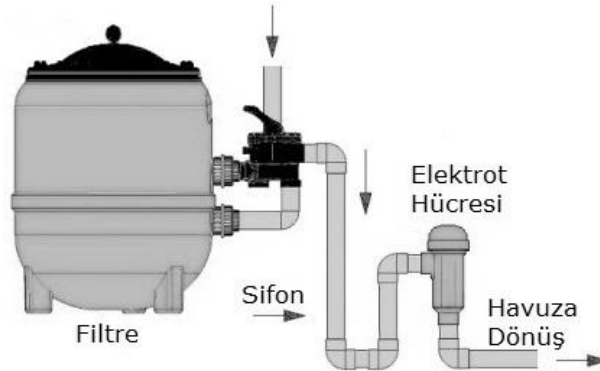
- 1.Elektrot Kablo Boğma Contası
- 2.Rakorlu Elektrot Kafası
- 3.Kablo Bağlantı Terminalleri
- 4.Elektrot
- 5.Elektrot ve Hazne Arası Silikon Conta
- 6.Elektrot Haznesi
- 7.Su Giriş Bağlantı Kısım
- 8.Su Çıkış Bağlantı Kısım

7 Elektrot hücresi, havuza dönüş yönünde suyun girdiği son birimden (filtre, ısıtıcı vb.)sonra konulmalıdır.



**Otomatik pH düzenleyici asidin enjeksiyonu elektrot hücresinden sonra olmalıdır. Aksi takdirde elektrotlar asit ile etkileşime girerek korozyona uğrar. Bu sebeple oluşan zarar ve sorunlardan üretici ve satıcı firma sorumlu tutulamaz. Garanti kapsamında tamir, bakım ve parça değişimi talep edilemez.**

- Elektrot haznesine boru montajında sert PVC yapıştırıcı kullanılmalı ve elektrotu takmadan önce tamamen kuruması beklenmelidir.
- Elektrot; haznenin içine doğru yönde oturtulmalıdır. Elektrotun açık kısmı su giriş borusu bağlantısına gelecek şekilde sokulmalıdır. Silikon contanın yerinde olduğundan ve sızdırmayacak şekilde yerleştiğinden emin olun.
- Elektrot kablosunu kablo boğma contasından ve rakorlu elektrot kafasından geçirerek kablo bağlantı terminallerine bağlayın. Rakorlu elektrot kafasını kapatın.
- Üç vanalı bypass devresinin mümkün olduğunca kurulması tavsiye edilir. Bu sayede hücreden geçen suyun miktarının ayarlanmasını ve elektrot haznesinden çıkarılırken havuzun çalışmasını sağlar. Belli güçte çalışan pompada bypass devresi, geçiş hızını düşürerek elektrotların titreşimden dolayı zarar görmesini engeller.
- Elektrot hücresi dikey ve yatay pozisyonda kullanılabilir fakat ortamın elverdiği kadarıyla dikey kullanılması önerilir. Dikey pozisyon su dökülmeden haznenin boşaltılmasına olanak sağlar. Bunun yanında elektrot kafasını ve elektrodu çıkartmak için yeterli alan sağlanmış olur.
- Eğer hücre filtre çıkışının altında bir yükseklikte monte edilirse, haznede elektroliz sonucu oluşan gazlar birikebilir ve bu da filtrasyon elemanlarına zarar verebilir. Bu resimde görüldüğü gibi bir tesisat yapılarak engellenebilir.



### 2.3.Havuz Suyu

Havuz için şebeke suyu kullanmanız tavsiye edilir. Eğer suyu başka kaynaklardan sağlıyorsanız, lütfen suyun analizini yaptırın ve sistemin çalışmasına uygun olmayan yüksek konsantrasyonda metal ve kalsiyum gibi etkenlerin bulunmadığından emin olun. Ayrıca suyun insan sağlığı standartlarına uyumunu da kontrol edin.

Tuz klor jeneratörünü çalıştırmadan önce havuz suyu değerlerini ayarlayın ve 25 m<sup>3</sup> su için 1 kg klor stabilizör atın (20-30 ppm veya stabilizör üreticisinin belirttiği kadar)



**Stabilizör klorun UV ışınlarından dolayı kaybolmasını engeller. Stabilizör eksikliği daha fazla klor üretimine zorlar ve bu da hücrenin ömrünü kısaltır. Öte yandan yüksek stabilizör de klorun dezenfeksiyon özelliğini düşürecek yönde etkiler.**

Havuzun suyu aşağıdaki değerleri karşılamalıdır.

<b>Tuz</b>		5 – 6 Kg/m <sup>3</sup>
<b>pH</b>	Beton Havuz	7.2 – 7.6
	Polyester	6.8 – 7.0
<b>TAC</b>		60 – 100 ppm
<b>TH</b>		15 – 20 Fransız
<b>Stabilizör</b>		20 – 30 ppm (veya üreticinin önerisi)
<b>Sıcaklık</b>		>10°C

### 2.4.Tuz Ekleme

- Tuz ekleme işlemi sırasında tuzun hepsi çözünene kadar sistem tamamen kapatılmalıdır. Tuz tamamen çözünmeden sistemin çalıştırılması durumunda hücre geri döndürülemez hasar alabilir. Bu nedenle oluşacak bir hasar ürünün garanti kapsamından çıkmasına neden olur.
- Havuzun su hacmini hesaplayın, 1m<sup>3</sup> için 5-6 kg tuz konsantrasyonu olacak şekilde tuz atılmalıdır. Bu işlem sırasında tuz klor jeneratörünün bağlı olmadığından emin olun ve 24 saat filtrasyon sistemini çalıştırmayın.
- Yeni kaplama yapılan bir havuzda, kaplamadan 4 hafta sonraya kadar tuz atmadan bekleyin.
- Tuzun çözünme hızı havuz süpürgesi kullanılarak hızlandırılabilir. Tuz konsantrasyonunun 5-6 kg/m<sup>3</sup> olduğundan emin olun.
- Tuz klor jeneratörünün tuz tüketimi yoktur, fakat yağmur ve su takviyesi gibi nedenlerle konsantrasyonu düşebilir.

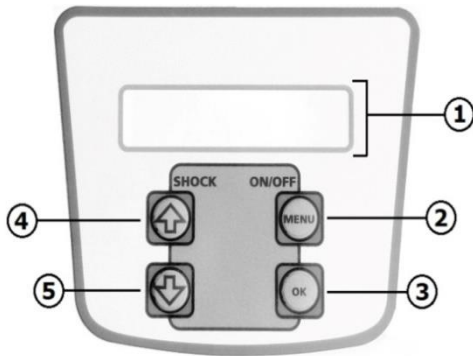


**Tuz eklemeniz gereken durumlarda tuzu mümkün olduğunca havuza dönüş hattına yakın dökün. Kesinlikle skimmere veya emiş süzgeçlerine dökmeyin.**

### 3.DEVREYE ALMA – KULLANIM

- Elektrik ve su tesisatını tekrar gözden geçirin. Yukarıda yazılı olan montaj talimatlarını doğru uyguladığınızdan emin olun. Bir eksiklik ya da hata yoksa devreye alma işlemlerine başlayabilirsiniz.
- Su giriş ve su çıkış vanalarını açın, by – pass vanasını kısın. Vanalarda ve haznede su kaçağı olmadığından emin olun.
- Faz, nötr ve topraklama kablolarının doğru bağlandığından emin olun. Unutmayın cihaz pompa ile beraber çalışıp pompa ile beraber kapanacaktır. Kaçak akım rölesini/sigortasını açın. Kontrol kalemi veya ölçü aleti ile besleme klemenslerini kontrol edin.
- Cihazın alt kısmındaki açma /kapama anahtarından cihazı açın. Cihaz ön kısmındaki kontrol ekran enerjilenecektir. Kontrol ekranında kapalı mod ekranı yer alacaktır.
- Jeneratör fabrika ayarlarında çalışacaktır. Bu ayarları değiştirmek isterseniz kullanma kılavuzu yardımı ile gerekli değişiklikleri yapabilirsiniz.

#### 3.1.Kontrol Paneli ve Ayarları



1.2x16 LCD ekran; cihaz ile ilgili bilgiler ve uyarılar gösterilir.

2.Cihaz ON/OFF (kapatıp açma), ayar menüsüne giriş(cihaz kapalı, OFF konumdayken 3sn. basılı tutulur) ve ayar menüsünde sayfalardan ve parametrelerden çıkış fonksiyonlarını gerçekleştirir.

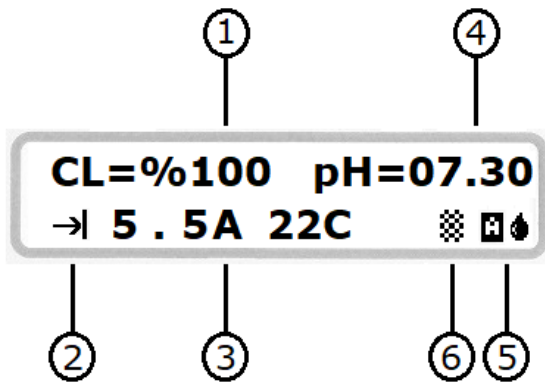
3.Ayar menüsündeki sayfalarda ve parametrelerde seçim yapma, ayarlanan parametreleri onaylayıp kaydetme fonksiyonlarını gerçekleştirir.

Çalışma sırasında 3sn. basılı tutulması ile cihaz boost moduna geçer ve 8 saat boyunca tam kapasitede çalışır.

4.Ayar menüsünde bir üst sayfaya veya parametreye geçiş ve parametre değerlerini arttırma fonksiyonlarını gerçekleştirir.

5.Ayar menüsünde bir alt sayfaya veya parametreye geçiş ve parametre değerlerini eksiltme fonksiyonlarını gerçekleştirir.

#### 3.1.1.Kontrol Paneli Çalışma Ekranı Simgeleri ve Değerleri



**1.Cl Üretimi Oranı:** Bu kısımda anlık CL üretim oranı gösterilmektedir. Yön tuşları kullanılarak arttırıp azaltılabilmektedir.

**2.CL Üretim ve Polarizasyon Simgesi:** Bu kısımda 3 farklı simge görünür:

→ Doğru yönlü polarizasyon simgesi.

← Ters yönlü polarizasyon simgesi. Ters yönlü polarizasyonda çalışmasının cihaza bir zararı bulunmamaktadır. Elektrodlar üzerindeki kireç temizleme özelliği devrededir.

⊥ Polarizasyon yok. Cl üretimi yapılmamaktadır. Polarizasyon değişikliği yapılmaktadır.

3.Bu kısımda Cl üretimini etkileyen hata ve uyarılar gösterilmektedir. **OK** butonuna bir kez basılarak üretim esnasında çekilen anlık akım değeri gösterilmektedir. Arızalar ile ilgili detaylı bilgiler **Arıza Kodları ve Önerilen Çözüm Yolları** kısmında anlatılmıştır.

4.Ölçülen anlık pH değerinin gösterildiği kısımdır.

5.pH Düşürücü/yükseltici dozajlama kontrol modu simgesidir. Bu kısımda iki farklı simge görünür.



**pH mod:** AUTO konumdadır ve dozajlama yapılmaktadır.



**pH mod:** AUTO konumdadır ve dozajlama yapılmamaktadır.



**6.Havuz örtüsü simgesidir. Havuz örtüsü kapanma kontrolü bulunan cihazlarda bulunmaktadır.** Cihazda bulunan havuz örtüsü kapanma kontrolü sayesinde; örtü kapalıyken klor üretim oranını ayarlama imkanı sağlar. Havuz örtüsü kapanma kontrolü bağlantı soketine N.O kontağı(Kuru Kontak) bulunan switch bağlanır. Havuz örtüsü kapandığında switchten gelen sinyal cihazı örtü moduna geçirir ve ekranda simgesi belirir. Cihaz örtülü modda çalışırken istenilen üretim değeri yön butonları ile arttırılıp azaltılır.

### 3.2.AYAR MENÜSÜ

Ayar menüsü cihazın ayar sayfalarının ve parametrelerinin bulunduğu bir ara yüzdür. Yapılan değişiklikler ve ayarlamalar ile cihazın optimum seviyede çalışmasına olanak sağlar. Ayar menüsüne giriş için cihaz kapalı (OFF) konuma alınır. LCD ekrana yandaki gibi bir görüntü gelecektir. Cihaz kapalı (OFF) konumda iken **MENU** butonuna 3 saniye basılı tutulur. Cihaz otomatik olarak ayar menüsüne geçiş yapacaktır.

Ayar menüsü içeriği yandaki tabloda gösterilmektedir. Tabloda ayar sayfaları ve sayfaların içerisindeki parametreler belirtilmektedir.

## PURITRON GSC302

Ayarlar	
1 - POLARİTE PERYODU	POLARMA SAAT
2 - DİL	İNGİLİZCE TÜRKÇE FRANSIZCA BULGARCA ALMANCA MACARCA İSPANYOLCA
3 - PH AYARLARI	PH MOD PH SET PH TOL. PH BUF. SEC PH KALİBRASYON PH OKU PH LVL. SEC
4 - H.ORTU C.ORAN	H.ORTU CL
5 - PROGRAM MENU	SİFRE

#### 3.2.1.POLARİTE PERYODU

Kullanılan suyun fiziksel özellikleri coğrafi bölgelere göre değişkenlik gösterse de içerisinde mutlaka belli oranlarda kalsiyum, magnezyum, demir ve diğer mineralleri bulundurması kaçınılmazdır. Su soğuk iken askıda bulunan bu mineraller elektroliz esnasında sudan ayrışır bir kısmı hazne içerisindeki elektrotlara yapışır. Belli bir süre sonra elektrotların üzeri tamamen kireç olarak tabir edilen maddeyle kaplanır. Kireç tabakası yalıtkan özellikte olduğundan elektrotlar arası elektrik akışını zorlaştırır. Bunun sonucunda klor üretim verimi düşer. Elektrotlarda oluşan bu kirecin belli aralıklarla temizlenmesi gerekmektedir.

Bu temizleme işlemini cihaz; polarizasyonu değiştirerek otomatik olarak yapabilme özelliğine sahiptir. Polarite periyod sayfası polarizasyon değiştirme süresinin ayarlandığı sayfadır. **OK** butonuna bir kez basılarak sayfa içerisine girilir, sayfadan çıkmak için ise **MENU** butonuna bir kez basılması gerekir. Ayar sayfasına girildiğinde **UP** ve **DOWN** yön butonlarıyla parametre değeri değiştirilir. İstenilen değer verildiğinde **OK** butonu ile seçilip kaydedilir.

#### 3.2.2.DİL

Cihazın çalışma dili ayarının yapıldığı sayfadır. Cihaza tanımlı olan İNGİLİZCE – TÜRKÇE – FRANSIZCA – BULGARCA – ALMANCA – MACARCA – İSPANYOLCA dilleri bulunur. **OK** butonuna bir kez basılarak sayfa içerisine girilir, sayfadan çıkmak için ise **MENU** butonuna bir kez basılması gerekir. **UP** ve **DOWN** yön butonlarıyla çalışma dili değişikliği yapılır. İstenilen çalışma dili ekrana geldiğinde **OK** butonuna bir kez basılır, çalışma dili seçilerek kaydedilir.

POLARİTE PERYODU  
↓ ↑ ↩

POLARİTE PERYODU  
POLARMA SAAT= 8

DİL  
↓ ↑ ↩

DİL  
TURKCE



### 3.2.3.PH AYARLARI

pH ayarlarının yapıldığı sayfadır. **OK** butonuna bir kez basılarak sayfa içerisine girilir, sayfadan çıkmak için ise **MENU** butonuna bir kez basılması gerekir. Sayfa içerisinde bulunan parametreler arasında geçiş yapmak için **UP** ve **DOWN** yön butonları kullanılır.



**NOT:** pH ölçüm özelliği bulunmayan modellerde bu ayar sayfası bulunmaz.

#### 3.2.3a.pH Mod

pH düşürücü veya yükseltici sıvısının dozajlama modunun ayarlandığı parametredir. **OK** butonuna bir kez basılarak parametre içerisine girilir, çıkmak için ise **MENU** butonuna bir kez basılması gerekir. Parametre içerisinde bulunan Mod arası geçiş yapmak için **UP** ve **DOWN** butonları kullanılır. Bu parametrede üç seçenek bulunur.(**OFF – ON – AUTO** )



**pH Mod OFF:** Bu Mod ayarlandığında, pH kısmı dozajlama kapatılmış olur, dozaj pompası enerjisini keser. **OK** butonuna bir kez basılarak mod seçilir ve sisteme kaydedilir.



**pH Mod ON:** Bu Mod ayarlandığında, pH kısmı dozaj pompası sürekli enerjilidir ve dozajlama yapar. Güvenlik açısından sadece parametre üzerinde ON konuma alınabilir. **OK** butonuna bir kez basılarak mod seçildiğinde sisteme AUTO olarak kaydedilir.



**pH Mod AUTO:** Bu Mod ayarlandığında, pH sensöründe okunan değer ve SET edilen değer doğrultusunda düşürücü veya yükseltici sıvının dozajlaması yapılır. İstenen değer bulunduğu otomatik olarak dozajlama durur.



#### 3.2.3b.pH Set

pH set değeri; havuzun sahip olması istenen pH değeridir. Sensörler ile okunan değer burada girilen set değeri ile karşılaştırılarak dozajlama yapılır. Dozajlanan pH düşürücü veya yükseltici sıvı havuzun istenen pH değerinde olmasını sağlar.



**OK** butonuna bir kez basılarak parametre içerisine girilir, parametreden çıkmak için ise **MENU** butonuna bir kez basılması gerekir. Parametre içerisine girdikten sonra yandaki gibi bir ekran görüntülenir. Buradaki değer **UP** ve **DOWN** yön butonlarıyla değiştirilir. İstenilen değer verildiğinde **OK** butonu ile seçilip kaydedilir ve otomatik olarak parametreden çıkarılır.



#### 3.2.3c.pH Tolerans

pH tolerans; ayarlanan pH set değerinden kayma payıdır. Bu değer verilmesinin sebebi ölçümdeki dalgalanmanın etkisiyle dozajlamanın oluşmamasıdır. Böylelikle daha kararlı bir sistem oluşturulmuş olur.



**OK** butonuna bir kez basılarak parametre içerisine girilir, parametreden çıkmak için ise **MENU** butonuna bir kez basılması gerekir. Parametre içerisine girdikten sonra yandaki gibi bir ekran görüntülenir. Buradaki değer **UP** ve **DOWN** yön butonlarıyla değiştirilir. İstenilen değer verildiğinde **OK** butonu ile seçilip kaydedilir ve otomatik olarak parametreden çıkarılır.



### 3.2.3d.pH Buffer Sec

pH buffer sel; dozajlama yapılacak olan sıvının pH düşürücü veya pH yükseltici olduğunun cihaza tanıtıldığı parametredir.

**OK** butonuna bir kez basılarak parametre içerisine girilir, parametreden çıkmak için ise **MENU** butonuna bir kez basılması gerekir. Parametre içerisine girdikten sonra yandaki gibi bir ekran görüntülenir. Buradaki durum **UP** ve **DOWN** yön butonlarıyla değiştirilir. İstenilen durum verildiğinde **OK** butonu ile seçilip kaydedilir ve otomatik olarak parametreden çıkarılır.

### 3.2.3e.pH Kalibrasyon

pH sensörleri karakteristik yapılarından dolayı ölçüm değerleri zamanla değişiklik göstermektedir. Sensör ölçüm değerinde oluşan değişiklik cihazın göstermiş olduğu değeri etkilemektedir. Bu nedenle sensörler belirli aralıklarla pH değeri bilinen sıvılar ile kalibre edilmelidirler(pH4-pH7). Bu işlemi yapabilmek için pH Kalibrasyon parametresi kullanılır.

**OK** butonuna bir kez basılarak parametre içerisine girilir, parametreden çıkmak için ise **MENU** butonuna bir kez basılması gerekir. Parametre içerisine girdikten sonra yandaki gibi bir ekran görüntülenir. pH sensörü ilk önce pH4 sıvısına daldırılır ve ekrandaki timer sıfırlanana kadar sensör sıvının içinde bırakılır.

Timer sıfırlandığında pH sensörünün pH7 sıvısına daldırılması gerekir ve ekrana bir ileti gelir. Sensör pH4 sıvısından çıkartılıp kurulanır ve pH7 sıvısına daldırılıp **OK** butonuna bir kez basılır. Ekrandaki timer sıfırlanana kadar sensör sıvının içinde bırakılır. Timer sıfırlandığında pH sensörü kalibre edilmiş olur.

### 3.2.3f.pH Oku

pH oku parametresi; pH sensörünün okuduğu anlık değeri gösterildiği parametredir. **OK** butonuna bir kez basılarak parametre içerisine girilir, parametreden çıkmak için ise **MENU** butonuna bir kez basılması gerekir.

Parametre içerisine girdikten sonra yandaki gibi bir ekran görüntülenir. Bir işlem yapılmaz sadece sensörün okuduğu değer anlık olarak görüntülenir.

### 3.2.3g.pH Lvl. Sec

pH lvl sec parametresi; dozajlama yapılacak olan pH düşürücü veya yükseltici sıvısı tankına bağlı opsiyonel sensörün tanıtıldığı parametredir. **OK** butonuna bir kez basılarak parametre içerisine girilir, parametreden çıkmak için ise **MENU** butonuna bir kez basılması gerekir.

**PH LVL. SEC. OFF:** Dozajlama yapılacak sıvı tankına bağlı sensör olmadığı durumlarda seçilmelidir.

**PH LVL. SEC. ON:** Dozajlama yapılacak sıvı tankına bağlı sensör bulunuyor ise seçilmelidir. Bağlı olan sensör sayesinde; cihaz tanktaki sıvı boşaldığında veya belirlenen seviyenin altına indiğinde uyarı verir. Bu durumda cihaz dozaj pompasını durdurur ve pompanın sıvı olmadan çalışıp zarar görmesini engeller.

PH AYARLAR  
PH BUF. SEC

PH AYARLAR  
PH BUF. SEC (-)

PH AYARLAR  
PH KALİBRASYON

PH CALIBRATION  
INSERT PROBE pH4

INIT pH4: 04.32  
TIMER : 58

PH CALIBRATION  
INSERT PROBE pH7

INIT pH7: 06.72  
TIMER : 58

PH AYARLAR  
PH OKU

PH AYARLAR  
PH OKU pH=07.00

PH AYARLAR  
PH LVL. SEC

PH AYARLAR  
PH LVL. SEC OFF

PH AYARLAR  
PH LVL. SEC ON

### 3.2.4.H.ORTU C.ORAN

Cihazda bulunan havuz örtüsü kapanma kontrolü sayesinde; örtü kapalıyken klor üretim oranını ayarlama imkanı sağlar.

Havuz örtüsü kapanma kontrolü bağlantı soketine N.O kontağı(Kuru Kontak) bulunan switch bağlanır. Havuz örtüsü kapandığında switchten gelen sinyal cihazı örtü moduna geçirir ve ekranda simgesi belirir. Cihaz örtülü modda çalışırken istenilen üretim değeri yön butonları ile artırılıp azaltılır.



### 3.2.5.PROGRAM MENU

GEMAŞ teknik personelinin müdahale edebildiği ayar sayfasıdır. Bu sayfada değişiklik yapmak cihazın genel çalışmasına zarar verebilir.

## 3.3.Cihazın Kullanımı

### 3.3.1.Cihazın Açık(ON) - Kapalı(OFF) Modu Alınması

GSC Tuz Klor Jeneratörüne enerji verip çalıştırıldığında cihazın alt kısmında bulunan anahtar(2.1.Kontrol Ünitesi Montajı 3.Madde) açık konuma getirilmelidir. Cihaz en son kaldığı moda göre Açık(ON) veya Kapalı(OFF) modda olacaktır. Cihazın hangi modda olduğu LCD gösterge ekranı durumundan anlaşılmaktadır. Cihaz Açık (ON) modda üretim ekranı, Kapalı (OFF) modda ise PURİTRON yazısı bulunan ekran görüntülenir.

### 3.3.2.Cihazın Klor Üretimine Alınması

Cihaz açma kapatma butonu (3.1.Kontrol Paneli 2.Madde) ile açık konuma alınır. Cihazın ekran kısmında anlık CL üretim yüzdesi, polarite yönü simgesi görünecektir. Bu esnada yön butonlarına basılarak CL üretim yüzdesi artırıp azaltılabilmektedir ayrıca OK butonuna bir kez basılır ise elektrotların anlık çektiği akım gösterilir ve sonra otomatik olarak kaybolacaktır.


### 3.3.3.Cihazın Boost Modu Alınması

Cihazda bulunan Boost Modu sayesinde havuzun hızlı bir şekilde klor ihtiyacının karşılanması sağlanır. Boost Modu cihazın 8 saat boyunca tam kapasitede çalışıp sonra tekrar normal çalışmada ayarlanan üretim kapasitesine geri dönmesini sağlar. **Cihaz Açık (ON) modda iken OK butonuna 3sn. basılı tutularak cihaz Boost moduna alınır.** Cihaz boost modunda iken CL üretim oranının gösterildiği kısımda **BOOST** yazısı belirir.



**Cihaz Boost modunda çalışırken; yön butonlarıyla üretim kapasitesinde değişiklik yapmak cihazı Boost moddan çıkarır.**

### 3.3.4.Cihazın Havuz Örtüsüyle Çalışması

Cihazda bulunan havuz örtüsü kapanma kontrolü sayesinde; örtü kapalıyken klor üretim oranını ayarlama imkanı sağlar. Havuz örtüsü kapanma kontrolü bağlantı soketine N.O kontağı (Kuru Kontak) bulunan switch bağlanır. Havuz örtüsü kapandığında switchten gelen sinyal cihazı örtü moduna geçirir ve ekranda simgesi belirir. Cihaz örtülü modda çalışırken istenilen üretim değeri yön butonları ile artırılıp azaltılır. 

## 4. TEMİZLİK – BAKIM TALİMATLARI

### 4.1. Elektrot Temizliği

Kullanılan suyun fiziksel özellikleri coğrafi bölgelere göre değişkenlik gösterse de içerisinde mutlaka belli oranlarda kalsiyum, magnezyum, demir ve diğer mineralleri bulundurması kaçınılmazdır. Su soğuk iken askıda bulunan bu mineraller elektroliz esnasında sudan ayrışır bir kısmı hazne içerisindeki elektrotlara yapışırlar. Belli bir süre sonra elektrotların üzeri tamamen kireç olarak tabir edilen maddeyle kaplanır. Kireç tabakası yalıtkan özellikte olduğundan elektrotlar arası elektrik akışını zorlaştırırlar. Bunun sonucunda klor üretim verimi düşer. Elektrotlarda oluşan bu kirecin belli aralıklarla temizlenmesi gerekmektedir.

Bu temizleme işlemini cihaz; polarizasyonu değiştirerek otomatik olarak yapabileme özelliğine sahiptir. Fakat kalsiyum derişiminin çok yüksek olduğu durumlarda bu özellik tam olarak kireç tortusunu ortadan kaldıramayabilir. Düzenli olarak gözle hücrede kireç tortusunu kontrol edip, gerekli durumlarda hücre elle temizlenmelidir.

1. Pompa ve tuz klor jeneratörünü kapatın.
2. Elektrot hücresinin su giriş ve su çıkış vanalarını kapatın.
3. Rakorlu elektrot kafasını açın, elektrot kablosunu düzgün bir şekilde terminalden sökün ve elektrodu hazneden çıkartın.
4. İdeal olarak bir gün boyunca elektrodun kuruması beklenirse kireç tortusu kendini serbest bırakır. İşlem sırasında elektrodun hassas kapağının zarar görmemesine özen gösterin ve dikkat edin. Bu işlem sırasında elektrodu çizebilecek metal malzeme ile kesinlikle vurmayın. Kireç tortusunu çözmek için basınçlı su kullanılabilir.
5. Eğer basınçlı su kireç tortusunu kaldıramadıysa, elektrodu %20 hidroklorik asit çözeltisinin içine batırabilirsiniz. Elektrodun üst kısmında bulunan terminaller çözeltiliye temas etmemelidir.
6. Temizlikten hemen sonra elektrot temiz su ile durulanmalı, terminallerin olduğu yer dikkatlice kurutulmalı ve tekrar monte edilmelidir.

**Elektrodu kesinlikle asit içerisinde 5 dakikadan fazla bekletmeyin! Metal objelerle elektrodu çizmeyin! Güvenlik nedeniyle asidi suyla seyreltin!**

### 4.2. Tavsiyeler

GSC tuz klor jeneratörünün bipolar hücreleri özel bir teknik kullanılarak yüksek kalite standartlarının altında olağan üstü bir süre ve direnç kazandırılarak üretilmiştir. Fakat elektrottan tam ve en uzun performansı almanızı engelleyici faktörler bulunmaktadır. Bunlar:

- Elektrodun yüzeyinde kireç tortusu ile çalıştırmak
- Aşırı klor konsantrasyonu (3.00 ppm üzeri klor aşındırıcı etkididir.)
- Yüksek veya düşük pH ile çalışma
- Tuzsuz veya yüksek konsantrasyonda tuz ile çalışma
- 10 °C altındaki suda çalıştırma
- Klorinatör çalışırken tuz ekleme
- Skimmerde veya dip süzgecini yerleştirmeden pH düzenleyici enjekte etmek

Hücre terminallerini periyodik olarak kontrol etmeniz ve kükürtlenmeye karşı yağlamanız tavsiye edilir. Ekipmanı kapatmanız gereken durumlar:

- Susuz çalışma
- Filtre temizlenirken
- Havuz boşaltılırken
- Su donduğunda
- Hücre temizlenirken

**4.3.Arıza Kodları ve Önerilen Çözüm Yolları**

Arıza Kodu	Muhtemel Arıza	Çözüm Yolu
ERR1	Kablo kopuk veya temas etmiyor	Kabloyu ve bağlantı terminallerini kontrol edin, gerekiyorsa değiştirin.
	Elektrot kablo bağlantısında problem var	Elektrot kablo bağlantı terminallerini kontrol edin.
	Yoğun kireç	Hücreden kireci temizleyin ve polarite periyodunu düşürün.
ERR2	Kireç var	Hücreden kireci temizleyin ve polarite periyodunu düşürün.
	Su çok sert	Suyu yumuşatın.
ERR3	Cihaz çıkışında kısa devre var	Cihaz elektrot kablosunu, elektrot bağlantı terminallerini kontrol edin ve gerekiyorsa değiştirin.
ERR4	Elektronik kart arızası	Üretici ile iletişime geçin.

**5.GARANTİ - SATIŞ SONRASI SERVİS - YEDEK PARÇALAR**

1. Kontrol ünitesi ve elektrot hücresi iki yıl garanti altındadır.
2. Ürünler, aşağıda bulunan maddeler doğrultusunda garanti kapsamı dışına alınır.
  - a. Ürünün kullanma talimatına aykırı kullanımından doğan arızalar.
  - b. Yanlış elektrik bağlantılarından doğan arızalar.
  - c. Çarpma ve benzeri kazalardan doğan arızalar.
  - d. Kontrol ünitesinde sudan doğacak arızalar.
  - e. By pass devresi (bağlantı şemasına uygun) olmadan çalışmasından doğacak arızalar.
  - f. Kontrol ünitesini kapatmadan skimmere asit dökülmesinden kaynaklanan arızalar.
  - g. Dezenfeksiyon için kullanılan asit tankının bulunduğu makine dairesi içerisinde yetersiz hava sirkülasyonunun olmasından kaynaklanan arızalar.
  - h. Puritron; pompa, filtre ve çok yollu vana da dahil olmak üzere temizlik ekipmanlarıyla kesinlikle aynı ortamda bulundurulmamalıdır.

