

Best Self - Priming Centrifugal Pump for Pools



Streamer²⁰¹⁰

HIGH PERFORMANCE SELF PRIMING PUMP FOR SWIMMING POOLS



The Streamer Pumps are precision, injection - molded units, using a temperature and corrosion resistant fibre glass low density plastic. The difference between STREAMER and other pumps lies in their uncomparable performance.

Technicals

- Equipped with an IP-55 endosed motor, designed for continuous running. Particularly silent and resistant to moisture. Elevated support with antivibration pad facilitates extra protection against flood and vibration.
- The excellent design of the rotating elements and pump chamber ensures maximum water flow without turbulance which is the reason of exteptionally good performance curves.
- Rustproof ceramic and high duty carbon mechanical seal has a heat sink which allows cooler running, longer life and loss wear.

Characteristics

- Monobloc pump body, In 30 % fiberglass polypropylene for protection against corrosive water. Housed inside in a PREFILTE RING BASKET In TWO PARTS that has a large filtering surface and is easy to remove and to clean.
- High quality steel shaft and mechanical seal. Norly ultra-son soldered turbine.

Motor

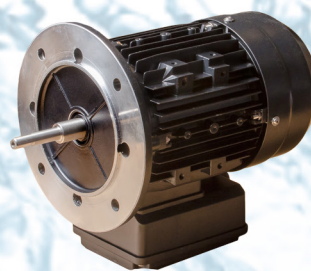
- IP 55 protected. 230 V or 230/1BO V 50 Hz. 2850rpm
- Motor and pump are separated in such a way that any contact between the electrical components and pumped water is virtually impossible.



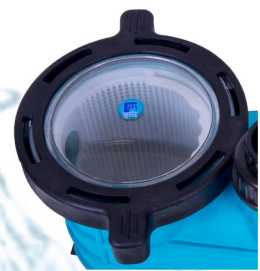
Large volume basket



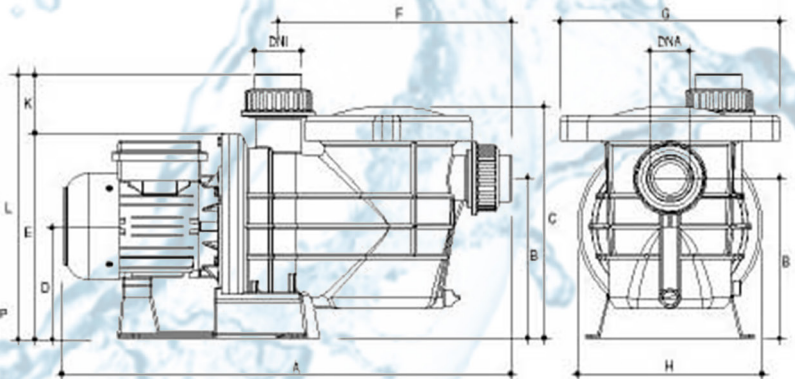
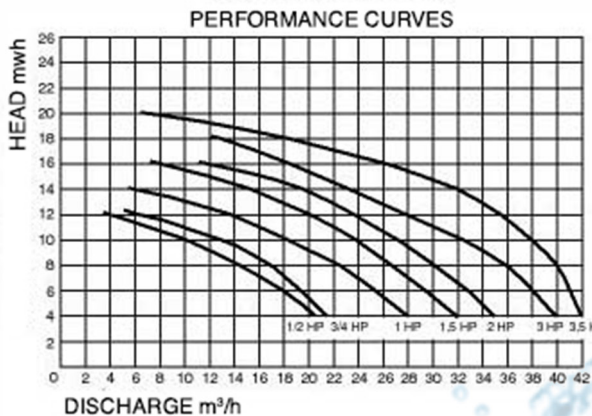
Norly impeller



INOX 316 Shaft Extension



Easy access lid



PUMP TYPE	HP	CON- DEN- SATOR (µF)	AMPERES			HEAD mwh								
			II 220 V	III 220 V 380 V		4	6	8	10	12	14	16	18	20
						DISCHARGE m³/h								
STRN-50T/M	0,50	16	2,73	-	-	20,50	18,00	14,30	10,00	4,00	-	-	-	-
STRN-80T/M	0,75	20	3,88	2,33	1,35	21,70	19,50	17,00	13,00	6,00	-	-	-	-
STRN-100T/M	1	25	5,15	3,03	1,75	28,00	25,70	22,50	18,00	13,90	6,00	-	-	-
STRN-150T/M	1,5	30	7,02	4,42	2,55	32,00	29,70	26,50	24,00	20,00	15,50	8,00	-	-
STRN-200T/M	2	40	8,60	5,50	3,50	35,00	33,00	30,00	27,50	23,80	19,50	12,00	-	-
STRN-300T/M	3	40	9,80	6,01	3,90	40,00	38,00	36,00	32,40	27,60	23,20	18,50	13,00	-
STRN-350T/M	3,5	60	13,67	8,61	4,98	42,00	41,00	40,00	38,00	35,50	32,00	26,40	18,50	7,10

PUMP TYPE	DIMENSIONS												Net Weight (Kg)		Gross Weight (Kg)	
	DNA	DNI	A	K	B	C	D	E	F	G	H	I	Mo.	Tri.	Mo.	Tri.
STRN-50T/M	11/2"	11/2"	610	80	205	310	145	275	320	292	245	355	10,290	-	11,514	-
STRN-80T/M	2"	11/2"	610	80	205	310	145	275	320	292	245	355	11,234	-	12,484	-
STRN-100T/M	2"	11/2"	610	80	205	310	145	275	320	292	245	355	12,360	11,000	13,609	12,244
STRN-150T/M	2"	2"	630	80	205	310	145	275	320	292	245	355	15,095	14,420	16,344	15,669
STRN-200T/M	2"	2"	630	80	205	310	145	275	320	292	245	355	17,150	16,280	17,534	18,404
STRN-300T/M	2"	2"	630	80	205	310	145	275	320	292	245	355	17,150	16,280	17,534	18,404
STRN-350T/M	2"	2"	670	80	205	310	145	275	320	292	245	355	20,450	19,130	20,384	21,704

Best Self - Priming Centrifugal Pump for Pools

