

# Streamer<sup>2010</sup>

Self - Priming Centrifugal Pump for Pools



Quality Management System



# "STREAMER 2010" SELF-PRIMING CENTRIFUGAL PUMP FOR POOLS



The Streamer Pumps are precision, injection - moulded units, using a temperature and corrosion resistant fibre glass low dense plastic. The difference between Streamer 2010 and other pumps lies in their uncomparable performance.

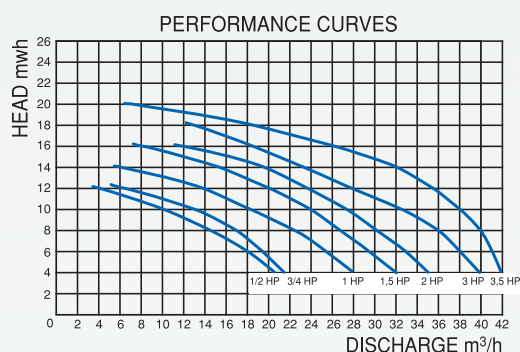
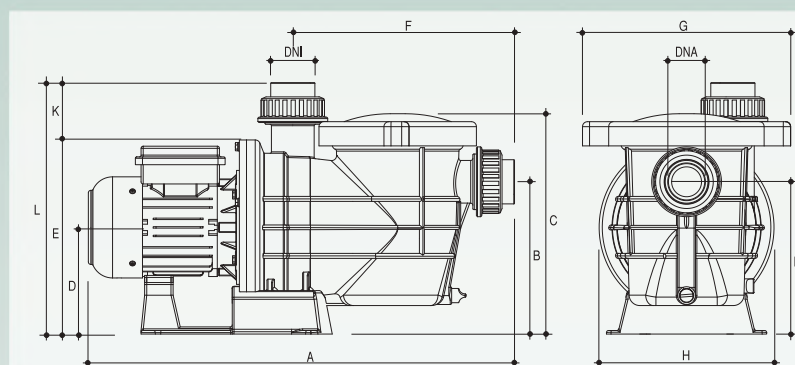
- Equipped with an IP55 totally enclosed motor, designed for continuous running. Particularly silent and resistant to moisture. Elevated support with antivibration pad facilitates extra protection against flood and vibration.
- The excellent design of the rotating elements and pump chamber ensures maximum water flow without turbulence which is the reason of exceptionally good performance curves.
- Rustproof ceramic and high duty carbon mechanical seal has a heat sink which allows cooler running, longer life and loss wear.
- Motor and pump are separated in such a way that any contact between the electrical components and pumped water is virtually impossible.
- Unions at both inlet and outlet facilitates easy removal of the pump from the system for service purposes.
- Brand new aesthetic pump leg.

## Characteristics

Monoblock pump body, in 30 % fiberglass polypropylene for protection againsts corrosive water. Housed inside is a PREFILTERING BASKET in TWO PARTS that has a large filtering surface and is easy to remove and to clean. High quality steel shaft and mechanical seal. Noryl ultrasound soldered impeller.

## Motor

IP55 protected. 230V or 230/400V - 50Hz. 2850 rpm.



PUMP TYPE	HP	CON-DAN-SATOR (µF)	AMPERES			HEAD mwh									
			II	III		4	6	8	10	12	14	16	18	20	
				230 V	230 V	400 V	DISCHARGE m³/h								
STR-50M/T	0,50	16	2,73	-	-	20,50	18,00	14,30	10,00	4,00	-	-	-	-	-
STR-75M/T	0,75	20	3,88	2,33	1,35	21,70	19,50	17,00	13,00	6,00	-	-	-	-	-
STR-100M/T	1,00	25	5,15	3,03	1,75	28,00	25,70	22,50	18,00	13,90	6,00	-	-	-	-
STR-150M/T	1,50	30	7,02	4,42	2,55	32,00	29,70	26,50	24,00	20,00	15,50	8,00	-	-	-
STR-200M/T	2,00	40	8,60	5,50	3,50	35,00	33,00	30,00	27,50	23,80	19,50	12,00	-	-	-
STR-300M/T	3,00	40	9,80	6,01	3,90	40,00	38,00	36,00	32,40	27,60	23,20	18,50	13,00	-	-
STR-350M/T	3,50	60	13,67	8,61	4,98	42,00	41,00	40,00	38,00	35,50	32,00	26,40	18,50	7,10	-

PUMP TYPE	DIMENSIONS (mm)												Net Weight (Kg)		Packing W. (Kg)	
	DNA	DNI	A	K	B	C	D	E	F	G	H	L	Mo.	Tri.	Mo.	Tri.
STR-50M/T	1 1/2"	1 1/2"	610	80	205	310	145	275	320	292	245	355	10,290	-	11,514	-
STR-75M/T	2"	1 1/2"	610	80	205	310	145	275	320	292	245	355	11,234	-	12,484	-
STR-100M/T	2"	1 1/2"	610	80	205	310	145	275	320	292	245	355	12,360	11,000	13,609	12,244
STR-150M/T	2"	2"	630	80	205	310	145	275	320	292	245	355	15,095	14,420	16,344	15,669
STR-200M/T	2"	2"	630	80	205	310	145	275	320	292	245	355	17,150	16,280	17,534	18,404
STR-300M/T	2"	2"	630	80	205	310	145	275	320	292	245	355	17,150	16,280	17,534	18,404
STR-350M/T	2"	2"	670	80	205	310	145	275	320	292	245	355	20,450	19,130	20,384	21,704

PUMP TYPE	STRN-50T/M	STRN-80T/M	STRN-100T/M	STRN-150T/M	STRN-200T/M	STRN-300T/M	STRN-350T/M
Ø SUCTION PIPE	1 1/2" (Ø50mm)	2" (Ø63mm)	2" (Ø63mm)	2 1/2" (Ø75mm)	3" (Ø90mm)	3" (Ø90mm)	4" (Ø110mm)

PUMP TYPE	PACKING DIM. (mm)
STR-50/80/100/150/200/300	610 x 260 x 370
STR-350	650 x 260 x 370

PS: It is recommended to use conical reduction at the suction line of the pump

We reserve the right to change all or part of the features of the articles or contents of this document, without prior notice.



# Streamer<sup>2010</sup>

Self - Priming Centrifugal Pump for Pools

