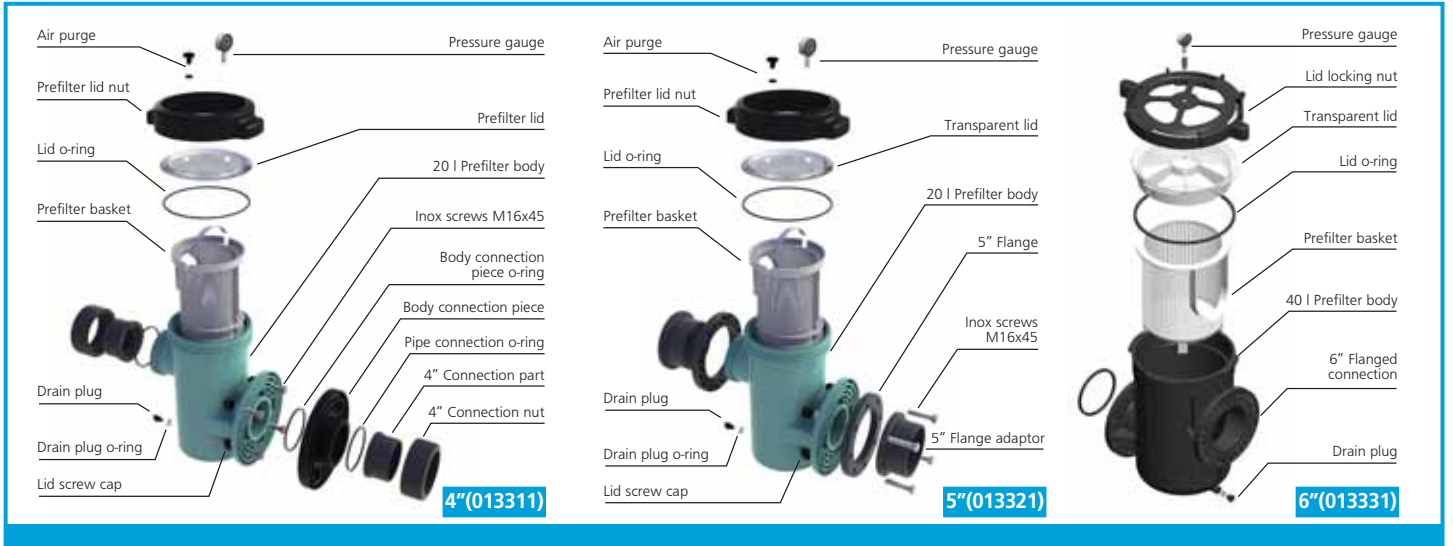


Plastic Prefilters



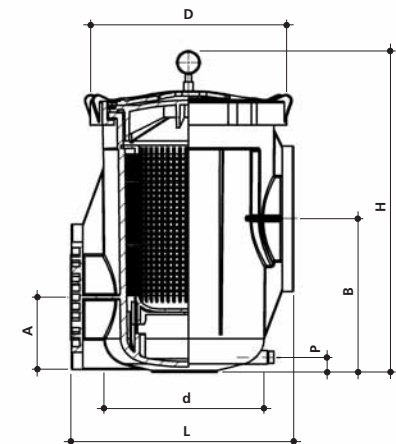
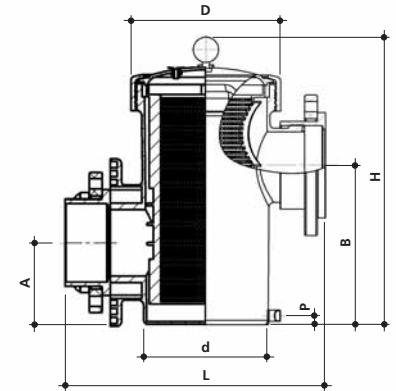
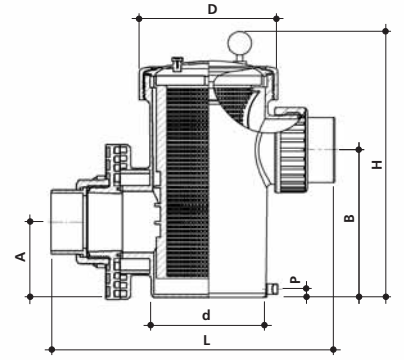
Plastic Prefilters



- Plastic prefilters are in fiberglass reinforced PP.
- Transparent acrylic lid provided with easy open & close lid locking nut.
- Filter basket is in optional stainless steel or standard plastic.
- Lid sealing with an EPDM o-ring.
- Test pressure 4 bar, operation pressure 2,5 bar.

TECHNICAL CHARACTERISTICS

MODEL	4"(013311)	5"(013321)	6"(013331)
D (mm)	265	265	377
d (mm)	220	220	305,5
A (mm)	145	145	140
B (mm)	284	284	296
P (mm)	16	16	30
L (mm)	543	462	428
H (mm)	510	510	610
Connection (mm)	110	125	160
Volume of the prefilter (l)	20	20	40
Free filtering surface (cm ²)	1985	1985	2494



ERTEK
www.ertek.com

Ertek Yapı ve Makina Endüstri Ekipmanları
San. ve Tic. Ltd. Şti.

Halkapınar Mah. Pamuk Plaza İş Merkezi 1082
Sokak No: 3 M 35170 Yenışehir Konak / İZMİR
Tel: (0232) 469 43 53 Faks: (0232) 457 46 51
www.ertek.com • info@ertek.com



We reserve the right to change all or part of the features of the articles or contents of this document, without prior notice.