

# megaFLOODER<sup>®</sup>

Self - Priming Pumps for Commercial Pools



Quality Management System

# "MegaFLOODER" SELF-PRIMING PUMPS FOR COMMERCIAL POOLS



The megaFlooder Pumps are precision, injection - moulded units, using a temperature and corrosion resistant fibre glass low density plastic. The difference between MegaFLOODER and other pumps lies in their incomparable performance.

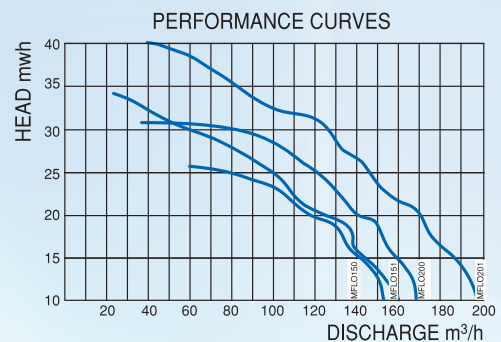
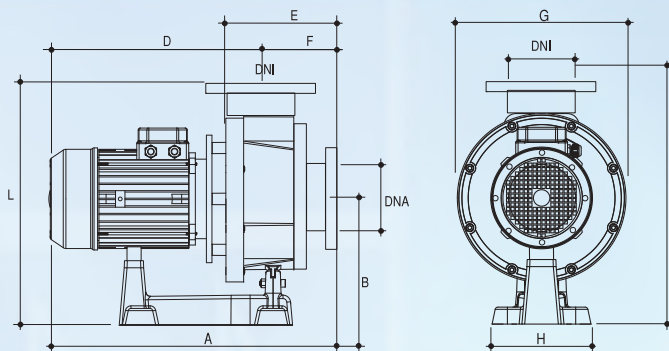
- Equipped with an IP55 totally enclosed motor, designed for continuous running. Particularly silent and resistant to moisture. Elevated support with antivibration pad facilitates extra protection against flood and vibration.
- The excellent design of the rotating elements and pump chamber ensures maximum water flow without turbulence which is the reason of exceptionally good performance curves.
- Rustproof ceramic and high duty carbon mechanical seal has a heat sink which allows cooler running, longer life and loss wear.
- Motor and pump are separated in such a way that any contact between the electrical components and pumped water is virtually impossible.
- Connections with flanges.
- High capacity prefilter of 40 l. (Optional)
- 2 Optional types for each HP. One for circulation (max. 2,5 bar), other for high pressure.

## Characteristics

Pump body, made in 30 % fiberglass reinforced polypropylene for protection against corrosive water. High quality (AISI 316) steel shaft and mechanical seal. Noryl ultrasound soldered impeller. Optional prefilters from FRP, stainless steel or thermoplastic.

## Motor

IP55 protected. 400/700V - 50Hz. 2850 rpm. Max. water temperature : 60°C



PUMP TYPE	HP	CON-DAN-SATOR (µF)	AMPERES			HEAD mwh									
			II	III		10	14	18	22	24	28	31	34	37	41
			230 V	230 V	400 V	DISCHARGE m³/h									
0111MFLO150	15,0	-	-	-	-	152,00	144,00	130,00	108,00	88,00	-	-	-	-	-
0111MFLO200	20,0	-	-	-	-	169,00	161,00	150,00	134,00	124,00	92,00	36,00	-	-	-
0111MFLO151	15,0	-	-	-	-	160,00	144,00	128,00	110,00	104,00	74,00	49,00	22,50	-	-
0111MFLO201	20,0	-	-	-	-	197,00	183,00	167,00	151,00	143,00	123,00	100,00	78,00	56,00	18,00

PUMP TYPE	DIMENSIONS (mm)											Net Weight (Kg)		Packing W. (Kg)	
	DNA	DNI	A	B	C	D	E	F	G	H	L	Mo.	Tri.	Mo.	Tri.
0111MFLO150	5"	5"	700	280	-	540	260	160	360	420	252	-	139	-	153
0111MFLO200	5"	5"	700	280	-	640	260	160	360	420	252	-	170	-	187
0111MFLO151	5"	5"	700	280	-	540	260	160	360	420	252	-	139	-	153
0111MFLO201	5"	5"	700	280	-	640	260	160	360	420	252	-	170	-	187

PUMP TYPE	0111MFLO150	0111MFLO200	0111MFLO151	0111MFLO201
Ø SUCTION PIPE	8"(Ø225 mm)	8"(Ø225 mm)	8"(Ø225 mm)	8"(Ø225 mm)

We reserve the right to change all or part of the features of the articles or contents of this document, without prior notice.



# megaFLOODER®

