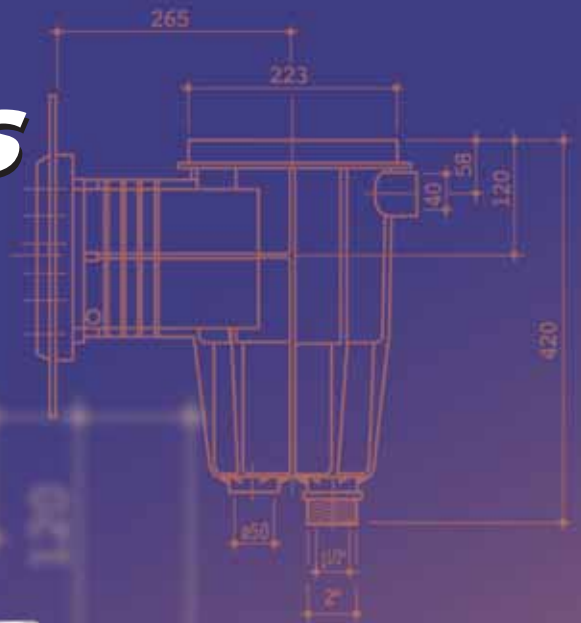


Lux Skimmers



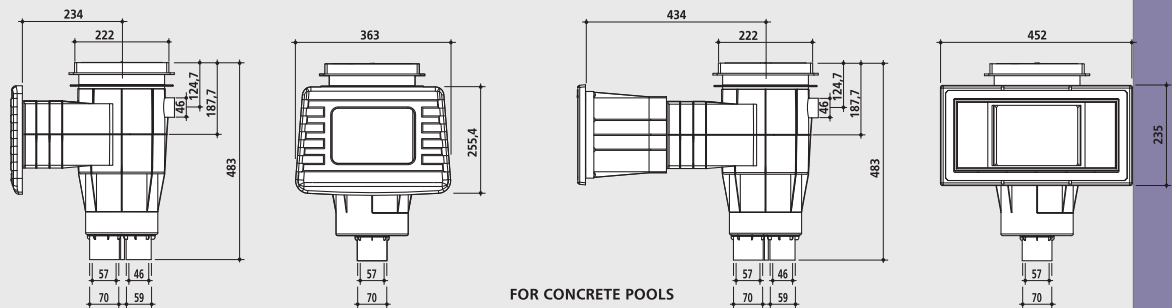
Lux-Skimmers for Concrete Pools

All Lux-Skimmer models are made in ABS plastic and equipped with "suction regulator". Skimming by "buoy float" or "floating weir". Suction port: 2" female threaded. Second port: 1 1/2" female threaded supplied with blind cap. Overflow drainage: Ø 40 mm female slip.



Additional Features:

- Child-proof decklid features safety locking mechanism.
- Extension collar allows for correction with uneven deck finishes.
- Locking basket design prevents basket floating due to back pressure.
- Locking vacuum adapter prevents adapter plate floating during suction cleaning. (In 2009)
- Extended throat facilitates convenient installation in the pool wall. (Optional)
- Aesthetic face plate in the pool.



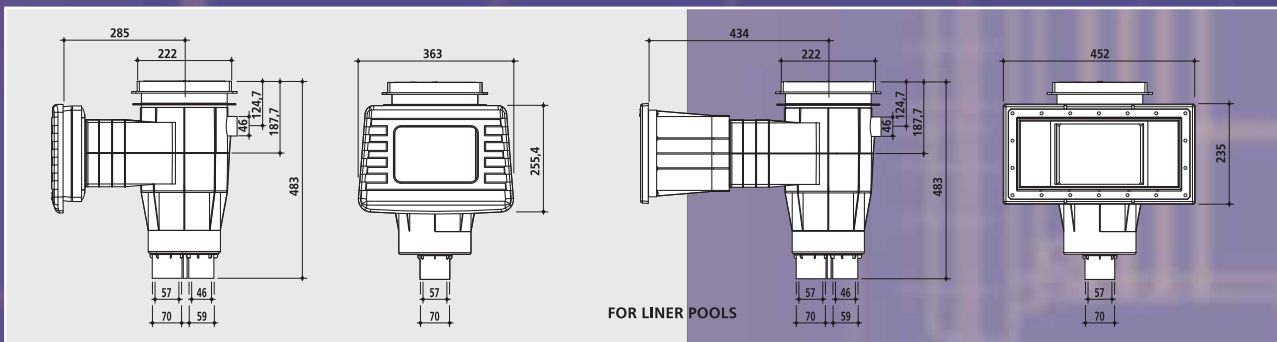
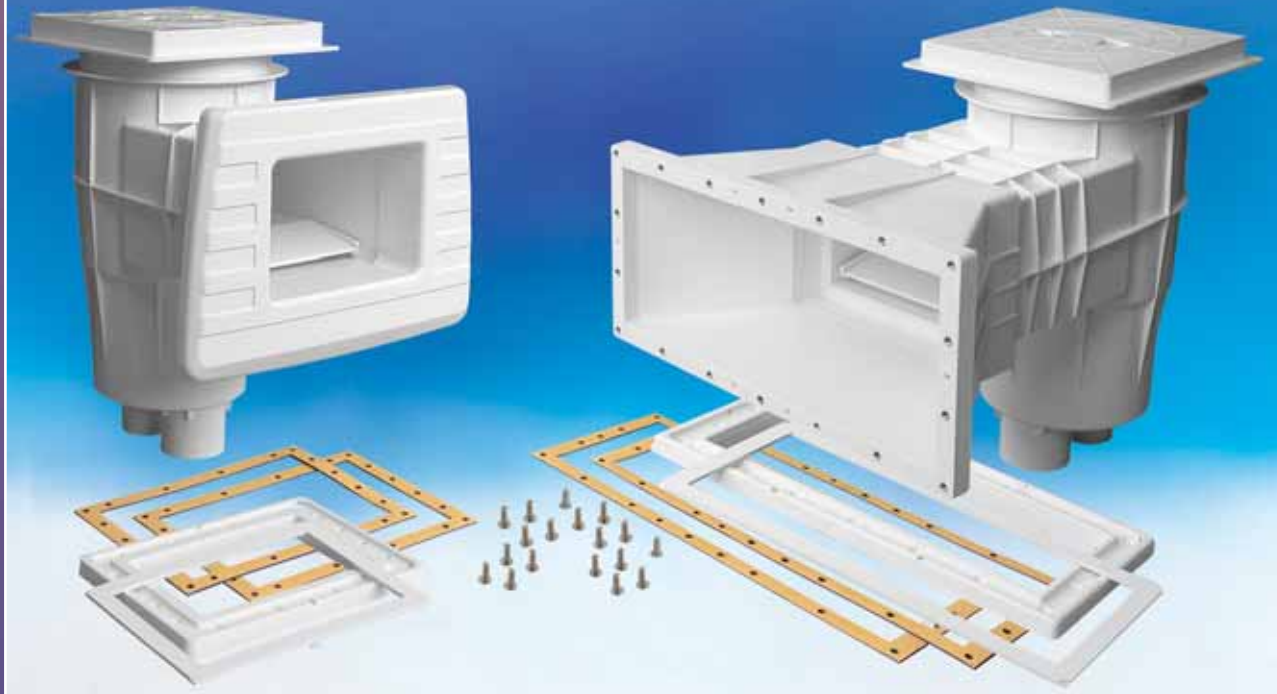
• Plastic floating weir with basket



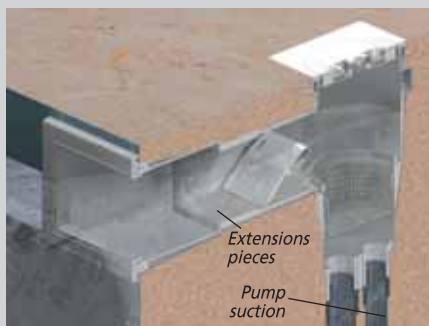
• Detail of liner type skimmer installation

Lux-Skimmers for Liner Pools

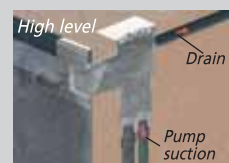
All Lux-Skimmer models are made in ABS plastic and equipped with "discharge regulator". Skimming by "buoy float" or "floating weir". Suction port: 2" female threaded. Discharge port: 1 1/2" female threaded, supplied with blind cap. Overflow drainage: Ø 40 mm female slip. Complete with flange, gaskets, stainless steel screws and front cover. Flange connections could be with brass cavities or plastic nests.



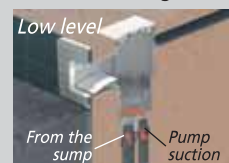
Suction connection for pool cleaner



Standard application as surface skimmer.
Horizontal extension (optional).



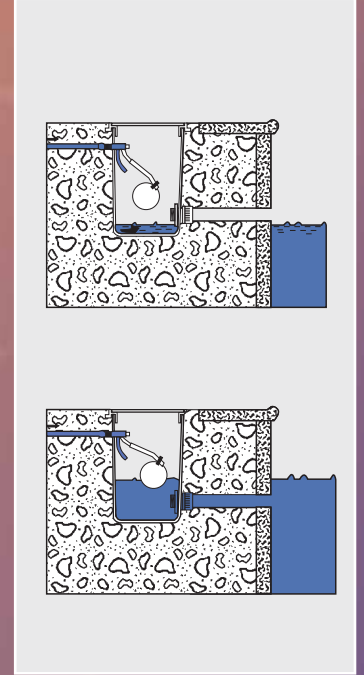
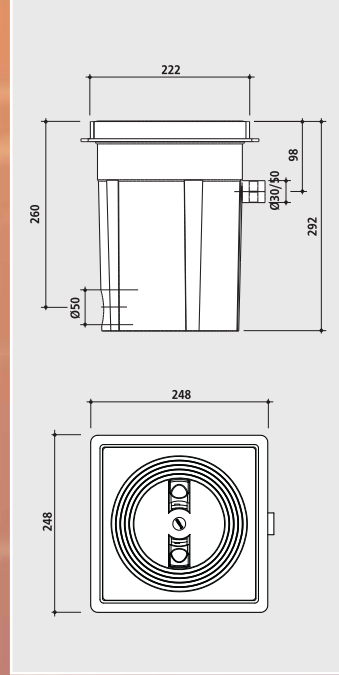
Overflow drainage



Facility to avoid air suction into the suction line when water level is low.

- The alternative skimmer outlets facilitate different connections

Level Regulator



- *Body is made in ABS plastic. Complete with 3/8" plastic floating valve and Ø 50 mm PVC slip connection, either side or bottom alternatively.*

