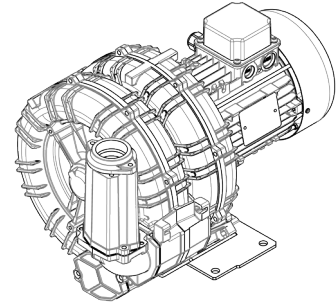


Technical Characteristics	
<ul style="list-style-type: none"> <li>- Aluminum alloy construction</li> <li>- Smooth operation</li> <li>- Maintenance free</li> </ul>	
Electric Motor	
<ul style="list-style-type: none"> <li>- IE3 Wide Range cURus Motors</li> <li>- IP 55 protection rating, class F insulation, suitable for operating with inverter (refer to FPZ)</li> <li>- Thermal Protector (PTO) as standard</li> </ul>	
Options	
<ul style="list-style-type: none"> <li>- Special voltages (IEC 60038)</li> <li>- Surface treatments</li> <li>- Increased seal version</li> </ul>	

~3	[V] (Y / Δ)	[Hz]
IE3	400 / 230	50
	460 / 265	60
Wide Range	345 - 415 / 200 - 240	50
	380 - 480 / 220 - 280	60

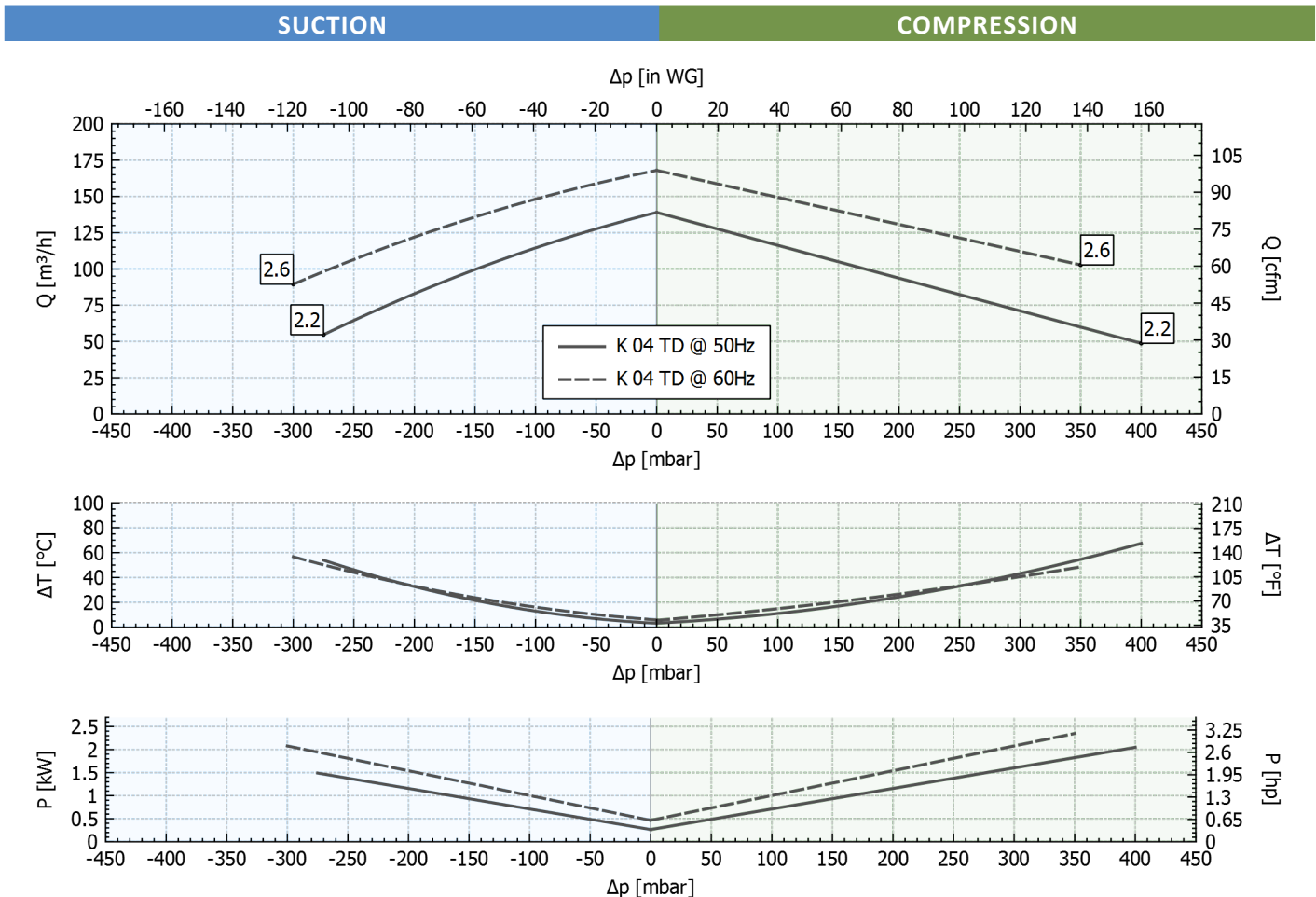
Supply voltage - [Tolerance on the fixed voltage value ± 10%, in range ± 5%.]



### Performance Table

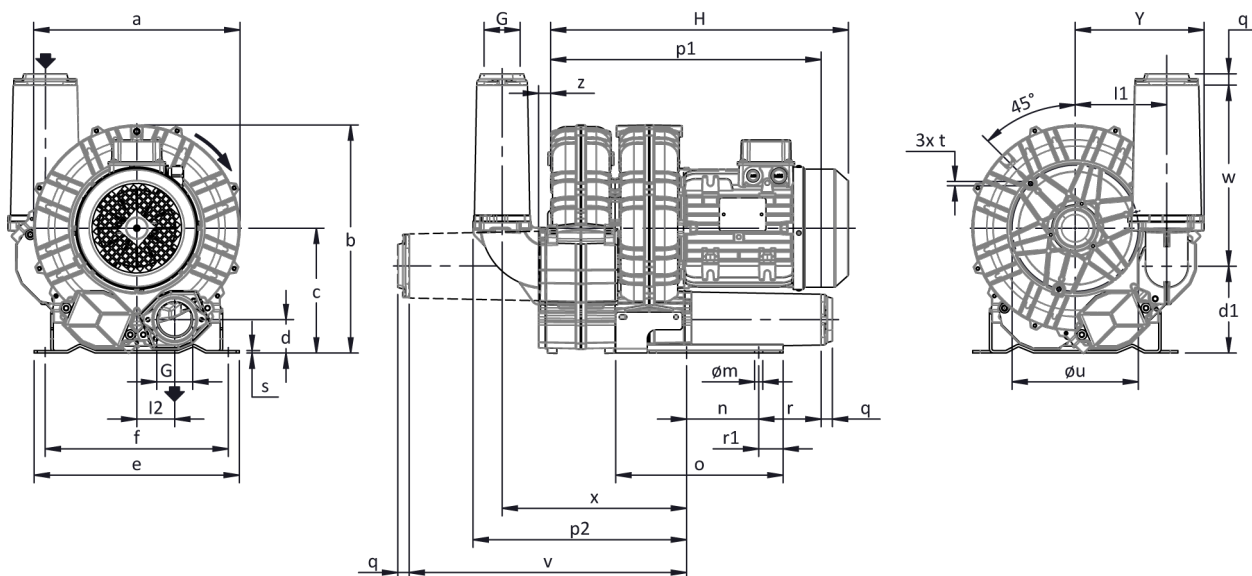
P <sub>n</sub> [kW]	Frequency [Hz]	Δp <sub>max</sub> [mbar]		Q <sub>max</sub> [m³/h]	Leq <sup>1</sup> [dB(A)]	Weight [kg]	H <sup>2</sup> [mm]	Current Consumption (Y/Δ) [A]		Cosφ [-]	Speed [rpm]
		Suction	Compression					IE3	Range		
2.2	50	275	400	139	67.6	30.5	440	4.49 / 7.78	4.90-4.55 / 8.49-7.88	0.82	2900
2.6	60	300	350	168	69.6	30.5	440	4.46 / 7.72	5.23-4.47 / 9.06-7.74	0.84	3495

1. Noise level measured at a distance of 1 m with ducted intake and delivery, in accordance with Standard ISO 3744.  
 2. See figure "dimensions" at following page.



Tolerance on indicated values ± 10%.  
 Data subject to change without notice.  
 Curves referring to air at a temperature of 20 °C and atmospheric pressure of 1013 mbar (abs).

## Dimensions



For all assembly options refer to FPZ.  
 Dimensions in mm  
 NOT Binding

a	b	c	d	d1	e	f	G	l	l1	l2	m	n	o	p1	p2	q	r	r1	s	t	u	v	w	x	y	z
285	315	172	49	121	255	225	G 1" 1/2	-	123	51	12	95	171	316	254	18	70	15	4	M6	175	288	188	214	173	18

## INSTALLATION

- For proper operation of the machine, it must be provided with a suction FILTER and a vacuum/pressure limiting VALVE.
- Other accessories are available on request.
- Permissible ambient and fluid temperature in suction from -15 °C to +40 °C.
- Read the instruction manual carefully before installing the machine.