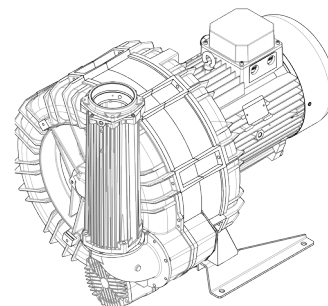


Technical Characteristics	
<ul style="list-style-type: none"> <li>- Aluminum alloy construction</li> <li>- Smooth operation</li> <li>- Maintenance free</li> </ul>	
Electric Motor	
<ul style="list-style-type: none"> <li>- Motors with IP 55 protection rating.</li> <li>- class F insulation, suitable for operating with inverter (refer to FPZ)</li> <li>- Thermal Protector (PTO) as standard</li> </ul>	
Options	
<ul style="list-style-type: none"> <li>- Special voltages (IEC 60038)</li> <li>- Surface treatments</li> <li>- Increased seal version</li> </ul>	

~3	[V] (Y/Δ)	[Hz]
IE2	690 / 400	50
	460 / 795	60
Wide Range	600 - 720 / 345 - 415	50
	660 - 830 / 380 - 480	60

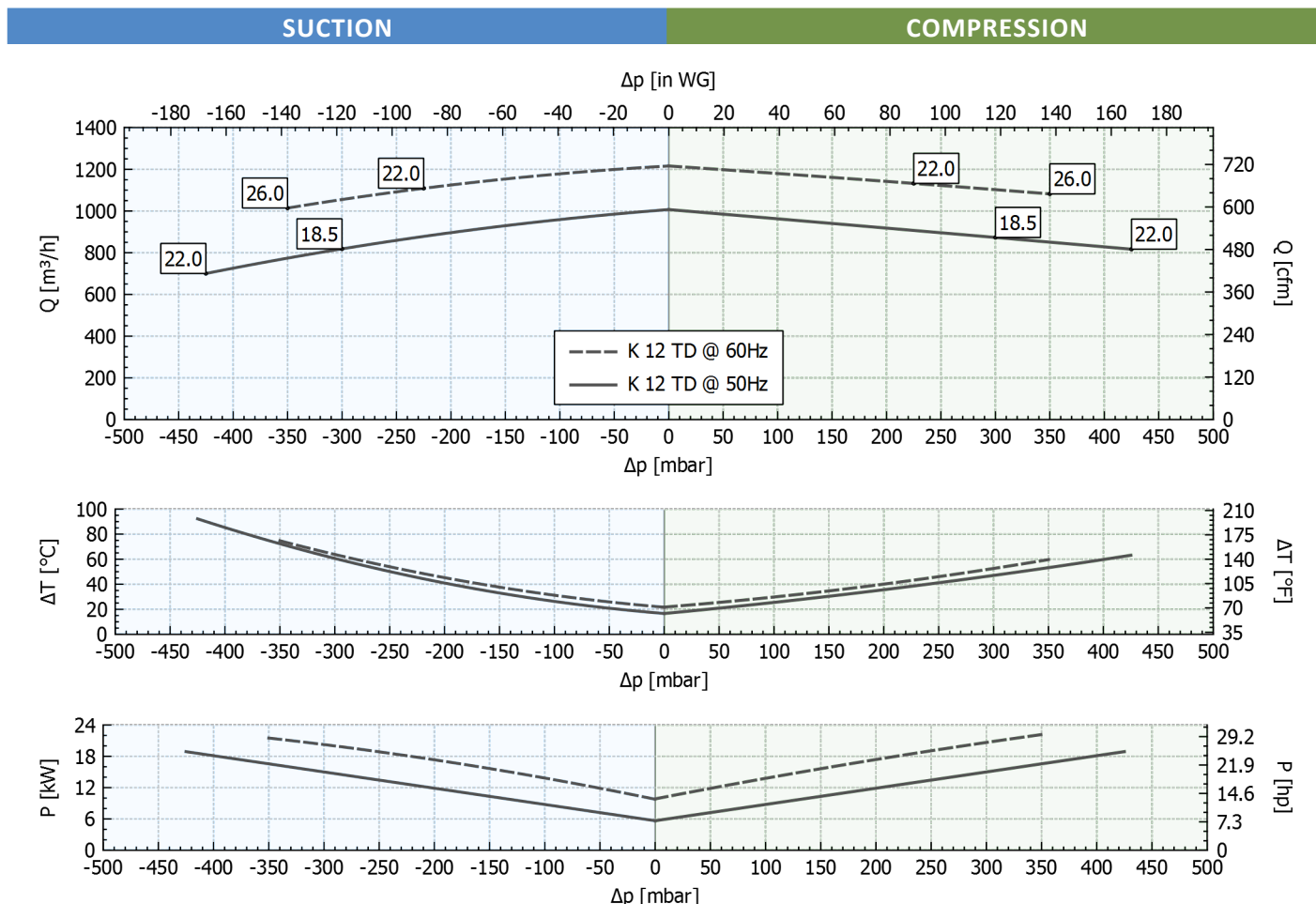
Supply voltage - IE2 only at 50 Hz - Tolerance on the fixed voltage value  $\pm 10\%$ , in range  $\pm 5\%$ .



## Performance Table

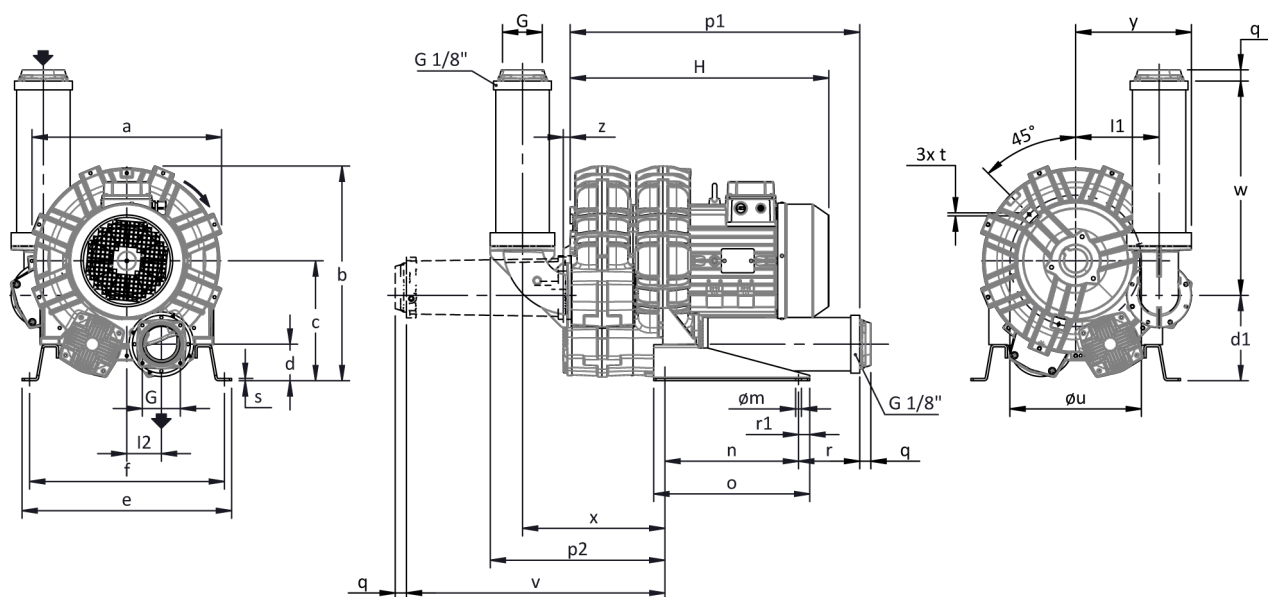
P <sub>n</sub> [kW]	Frequency [Hz]	Δp <sub>max</sub> [mbar]		Q <sub>max</sub> [m³/h]	Leq <sup>1</sup> [dB(A)]	Weight [kg]	H <sup>3</sup> [mm]	Current Consumption (Y/Δ) [A]		Cosφ [-]	Speed [rpm]
		Suction	Compression					IE2 <sup>2</sup>	Range		
18.5	50	300	300	1007	85	187	815	20.7 / 35.9	21.7-21.7 / 37.6-37.5	0.81	2950
22	60	225	225	1216	87.5	187	815	20.4 / 35.4	23.3-20.7 / 40.3-35.9	0.85	3550
22	50	425	425	1007	85	194	815	24.5 / 42.5	25.7-25.2 / 44.5-43.7	0.81	2940
26	60	350	350	1216	87.5	194	815	24.0 / 41.6	27.2-24.2 / 47.1-42.0	0.85	3540

1. Noise level measured at a distance of 1 m with ducted intake and delivery, in accordance with Standard ISO 3744.
2. IE2 only at 50 Hz.
3. See figure "dimensions" at following page.



Tolerance on indicated values  $\pm 10\%$ .  
 Data subject to change without notice.  
 Curves referring to air at a temperature of 20 °C and atmospheric pressure of 1013 mbar (abs).

## Dimensions



For all assembly options refer to FPZ.  
 NOT Binding  
 Dimensions in mm

a	b	c	d	d1	e	f	G	l	l1	l2	m	n	o	p1	p2	q	r	r1	s	t	u	v	w	x	y	z
548	606	332	91	232	540	508	G 4"	-	242	100	13	300	350	768	483	25	204	25	5	M8	390	678	556	400	324	13

## INSTALLATION

- For proper operation of the machine, it must be provided with a suction FILTER and a vacuum/pressure limiting VALVE.
- Other accessories are available on request.
- Permissible ambient and fluid temperature in suction from -15 °C to +40 °C.
- Read the instruction manual carefully before installing the machine.