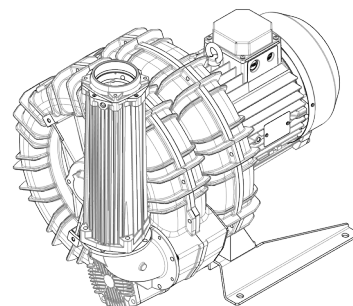


Technical Characteristics	
-	Aluminum alloy construction
-	Smooth operation
-	Maintenance free
Electric Motor	
-	Motors with IP 55 protection rating.
-	class F insulation, suitable for operating with inverter (refer to FPZ)
-	Thermal Protector (PTO) as standard
Options	
-	Special voltages (IEC 60038)
-	Surface treatments
-	Increased seal version

~3	[V] (Y / Δ)	[Hz]
IE2	690 / 400	50
	460 / 795	60
Wide Range	600 - 720 / 345 - 415	50
	660 - 830 / 380 - 480	60

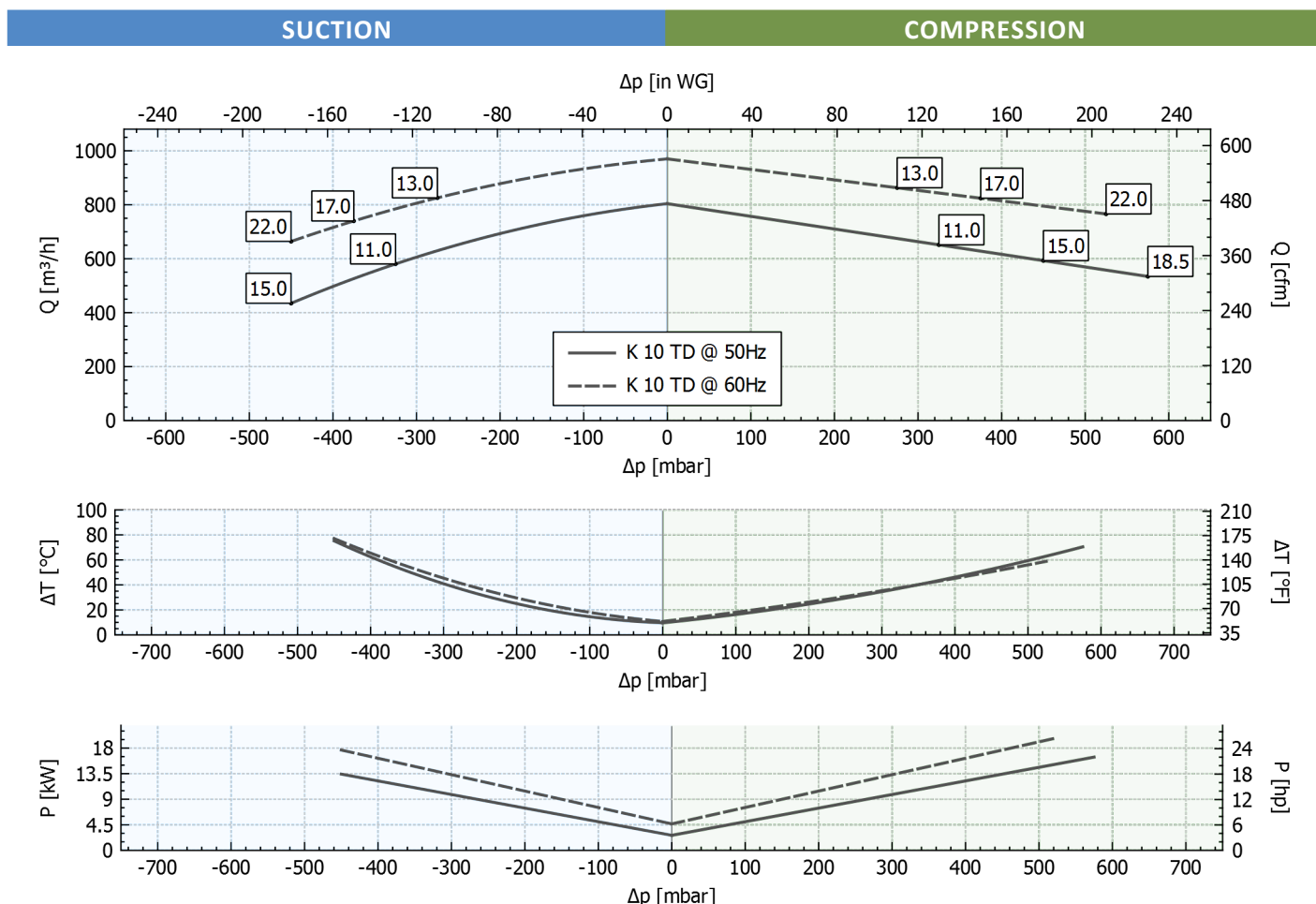
Supply voltage - IE2 only at 50 Hz - Tolerance on the fixed voltage value ± 10%, in range ± 5%.



Performance Table

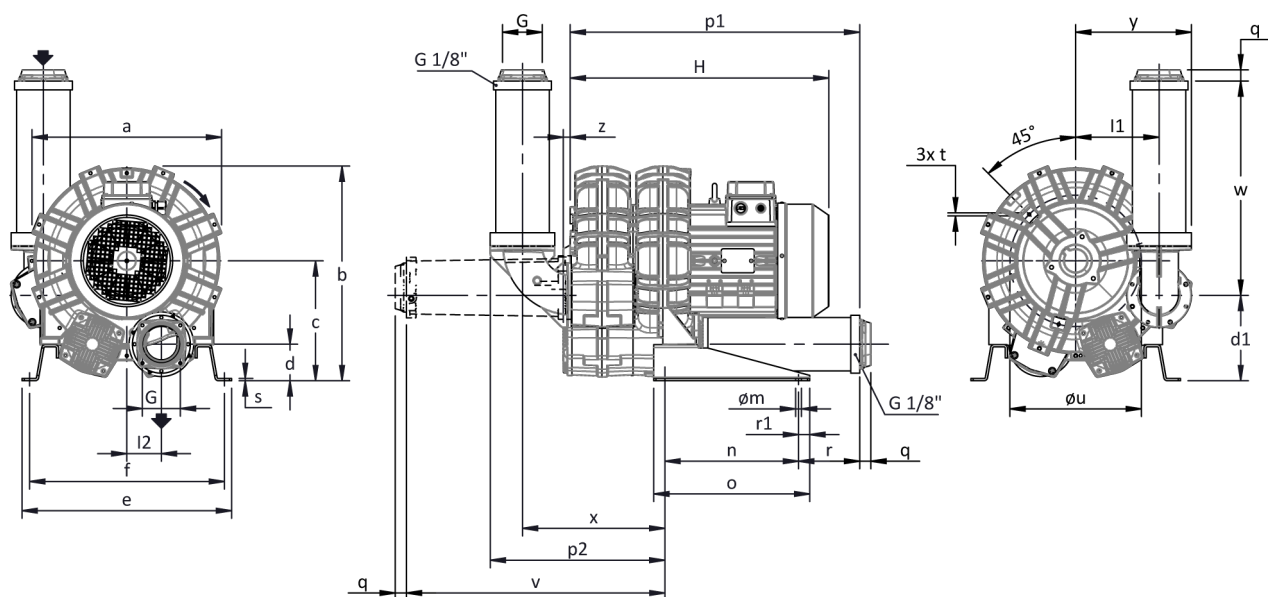
P _n [kW]	Frequency [Hz]	Δp _{max} [mbar]		Q _{max} [m³/h]	Leq ¹ [dB(A)]	Weight [kg]	H ³ [mm]	Current Consumption (Y/Δ) [A]		Cosφ [-]	Speed [rpm]
		Suction	Compression					IE2 ²	Range		
11	50	325	325	804	83.9	137	650	12.53 / 21.7	13.0-12.9 / 22.6-22.3	0.81	2940
13	60	275	275	970	85.9	137	650	12.2 / 21.2	13.8-12.4 / 23.9-21.4	0.84	3530
15	50	450	450	804	83.9	154	727	16.46 / 28.51	17.8-16.6 / 30.8-28.8	0.84	2940
17	60	375	375	970	85.9	154	727	15.7 / 27.2	18.1-15.6 / 31.3-27.1	0.86	3540
18.5	50	-	575	804	83.9	173.5	785	20.7 / 35.9	21.7-21.7 / 37.6-37.5	0.81	2950
22	60	450	525	970	85.9	173.5	785	20.4 / 35.4	23.3-20.7 / 40.3-35.9	0.85	3550

- Noise level measured at a distance of 1 m with ducted intake and delivery, in accordance with Standard ISO 3744.
- IE2 only at 50 Hz.
- See figure "dimensions" at following page.



Tolerance on indicated values ± 10%.
 Data subject to change without notice.
 Curves referring to air at a temperature of 20 °C and atmospheric pressure of 1013 mbar (abs).

Dimensions



For all assembly options refer to FPZ.
 NOT Binding
 Dimensions in mm

a	b	c	d	d1	e	f	G	l	l1	l2	m	n	o	p1	p2	q	r	r1	s	t	u	v	w	x	y	z
516	573	315	96	225	510	478	G 4"	-	220	91	13	300	350	745	455	25	199	25	5	M8	360	663	556	372	302	16

INSTALLATION

- For proper operation of the machine, it must be provided with a suction FILTER and a vacuum/pressure limiting VALVE.
- Other accessories are available on request.
- Permissible ambient and fluid temperature in suction from -15 °C to +40 °C.
- Read the instruction manual carefully before installing the machine.