

Technical Characteristics	
<ul style="list-style-type: none"> - Aluminum alloy construction - Smooth operation - Maintenance free 	
Electric Motor	
<ul style="list-style-type: none"> - Motors with IP 55 protection rating. - class F insulation, suitable for operating with inverter (refer to FPZ) - Thermal Protector (PTO) as standard 	
Options	
<ul style="list-style-type: none"> - Special voltages (IEC 60038) - Surface treatments - Increased seal version 	

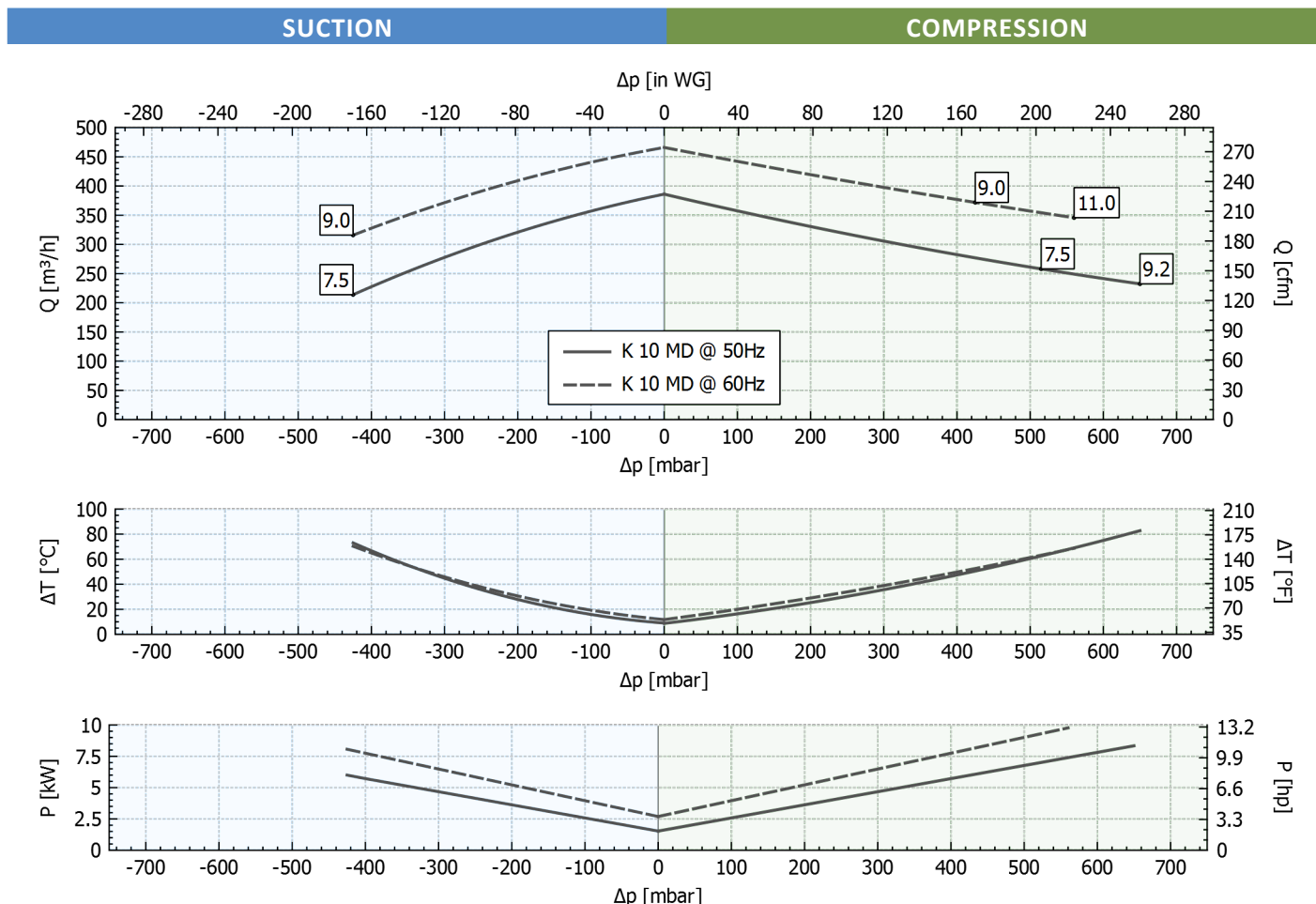
~3	[V] (Y/Δ)	[Hz]
IE2	690 / 400	50
	460 / 795	60
Wide Range	600 - 720 / 345 - 415	50
	660 - 830 / 380 - 480	60

Supply voltage - IE2 only at 50 Hz - Tolerance on the fixed voltage value $\pm 10\%$, in range $\pm 5\%$.

Performance Table

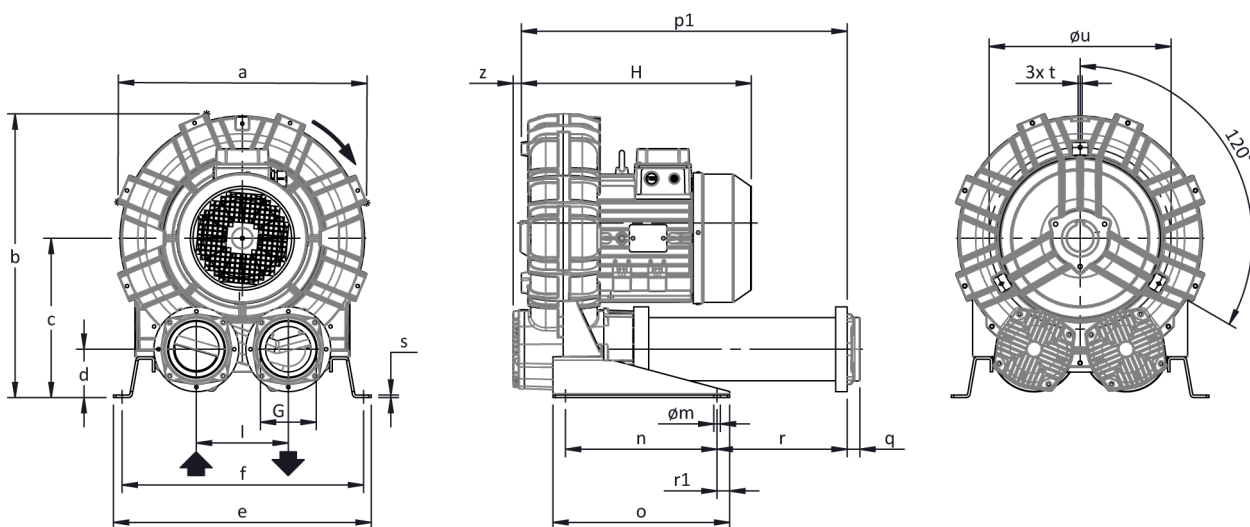
P _n [kW]	Frequency [Hz]	Δp_{max} [mbar]		Q _{max} [m ³ /h]	Leq ¹ [dB(A)]	Weight [kg]	H ³ [mm]	Current Consumption (Y/Δ) [A]		Cosφ [-]	Speed [rpm]
		Suction	Compression					IE2 ²	Range		
7.5	50	425	515	386	78.4	91	455	9.06 / 15.7	9.18-9.47 / 15.9-16.4	0.78	2940
9	60	425	425	466	80.4	91	455	8.86 / 15.34	9.87-9.00 / 17.1-15.6	0.83	3530
9.2	50	-	650	386	78.4	96	495	10.3 / 17.8	11.1-10.6 / 19.2-18.3	0.83	2940
11	60	-	560	466	80.4	96	495	10.3 / 17.9	11.9-10.3 / 20.6-17.9	0.86	3530

1. Noise level measured at a distance of 1 m with ducted intake and delivery, in accordance with Standard ISO 3744.
 2. IE2 only at 50 Hz.
 3. See figure "dimensions" at following page.



Tolerance on indicated values $\pm 10\%$.
 Data subject to change without notice.
 Curves referring to air at a temperature of 20 °C and atmospheric pressure of 1013 mbar (abs).

Dimensions



NOT Binding
 Dimensions in mm

a	b	c	d	d1	e	f	G	l	l1	l2	m	n	o	p1	p2	q	r	r1	s	t	u	v	w	x	y	z
516	573	315	96	-	510	478	G 4"	182	-	-	13	300	350	644	-	25	257	25	5	M8	360	-	-	-	-	16

INSTALLATION

- For proper operation of the machine, it must be provided with a suction FILTER and a vacuum/pressure limiting VALVE.
- Other accessories are available on request.
- Permissible ambient and fluid temperature in suction from -15 °C to +40 °C.
- Read the instruction manual carefully before installing the machine.