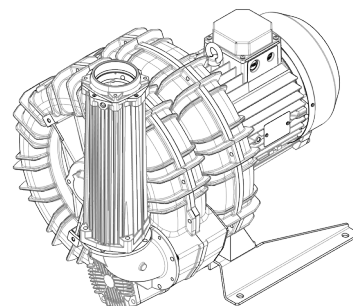


Technical Characteristics	
<ul style="list-style-type: none"> <li>Aluminum alloy construction</li> <li>Smooth operation</li> <li>Maintenance free</li> </ul>	
Electric Motor	
<ul style="list-style-type: none"> <li>Motors with IP 55 protection rating.</li> <li>class F insulation, suitable for operating with inverter (refer to FPZ)</li> <li>Thermal Protector (PTO) as standard</li> </ul>	
Options	
<ul style="list-style-type: none"> <li>Special voltages (IEC 60038)</li> <li>Surface treatments</li> <li>Increased seal version</li> </ul>	

~3	[V] (Y / Δ)	[Hz]
IE2	690 / 400	50
	460 / 795	60
Wide Range	600 – 720 / 345 – 415	50
	660 – 830 / 380 – 480	60

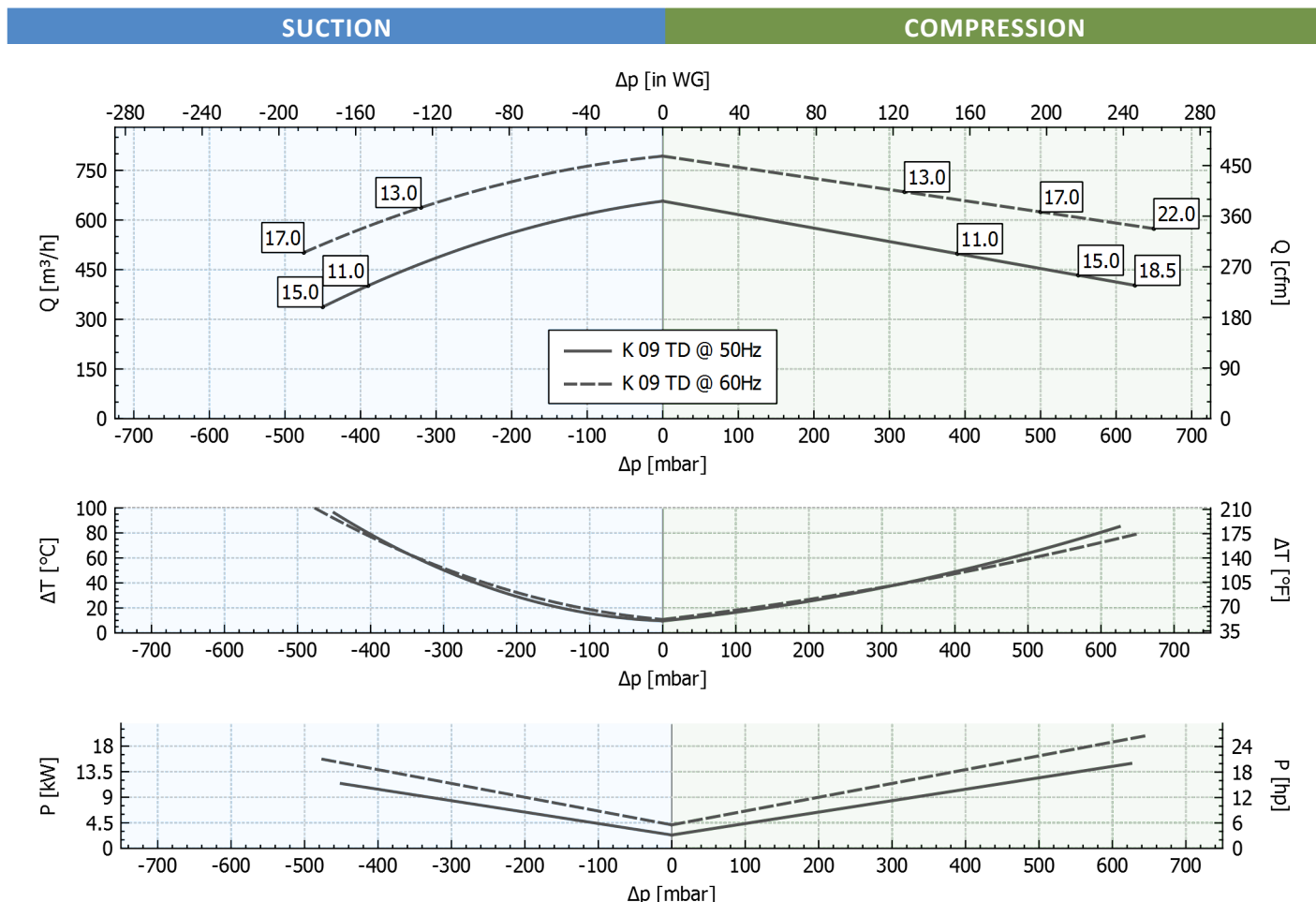
Supply voltage - IE2 only at 50 Hz - Tolerance on the fixed voltage value ± 10%, in range ± 5%.



### Performance Table

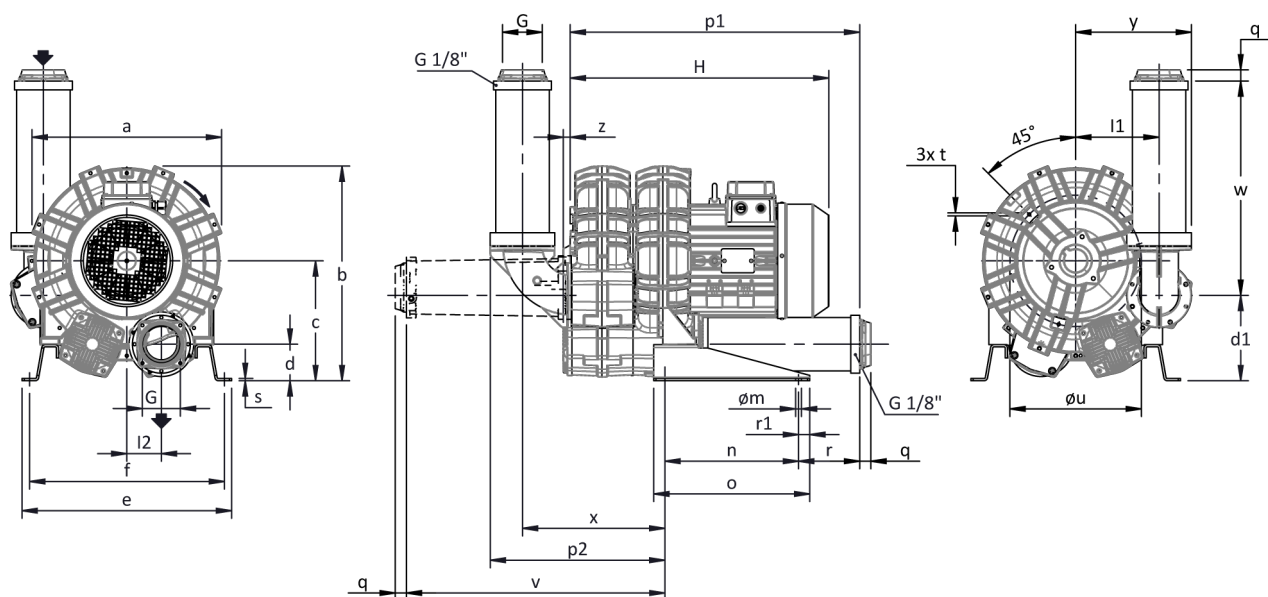
P <sub>n</sub> [kW]	Frequency [Hz]	Δp <sub>max</sub> [mbar]		Q <sub>max</sub> [m³/h]	Leq <sup>1</sup> [dB(A)]	Weight [kg]	H <sup>3</sup> [mm]	Current Consumption (Y/Δ) [A]		Cosφ [-]	Speed [rpm]
		Suction	Compression					IE2 <sup>2</sup>	Range		
11	50	390	390	657	79.9	130.5	650	12.53 / 21.7	13.0-12.9 / 22.6-22.3	0.81	2940
13	60	320	320	793	81.9	130.5	650	12.2 / 21.2	13.8-12.4 / 23.9-21.4	0.84	3530
15	50	450	550	657	79.9	151	727	16.46 / 28.51	17.8-16.6 / 30.8-28.8	0.84	2940
17	60	475	500	793	81.9	151	727	15.7 / 27.2	18.1-15.6 / 31.3-27.1	0.86	3540
18.5	50	-	625	657	79.9	170	785	20.7 / 35.9	21.7-21.7 / 37.6-37.5	0.81	2950
22	60	-	650	793	81.9	170	785	20.4 / 35.4	23.3-20.7 / 40.3-35.9	0.85	3550

1. Noise level measured at a distance of 1 m with ducted intake and delivery, in accordance with Standard ISO 3744.  
 2. IE2 only at 50 Hz.  
 3. See figure "dimensions" at following page.



Tolerance on indicated values ± 10%.  
 Data subject to change without notice.  
 Curves referring to air at a temperature of 20 °C and atmospheric pressure of 1013 mbar (abs).

## Dimensions



For all assembly options refer to FPZ.  
 NOT Binding  
 Dimensions in mm

a	b	c	d	d1	e	f	G	l	l1	l2	m	n	o	p1	p2	q	r	r1	s	t	u	v	w	x	y	z
492	561	315	96	225	510	478	G 4"	-	220	91	13	300	350	745	455	25	199	25	5	M8	360	663	556	372	302	16

## INSTALLATION

- For proper operation of the machine, it must be provided with a suction FILTER and a vacuum/pressure limiting VALVE.
- Other accessories are available on request.
- Permissible ambient and fluid temperature in suction from -15 °C to +40 °C.
- Read the instruction manual carefully before installing the machine.