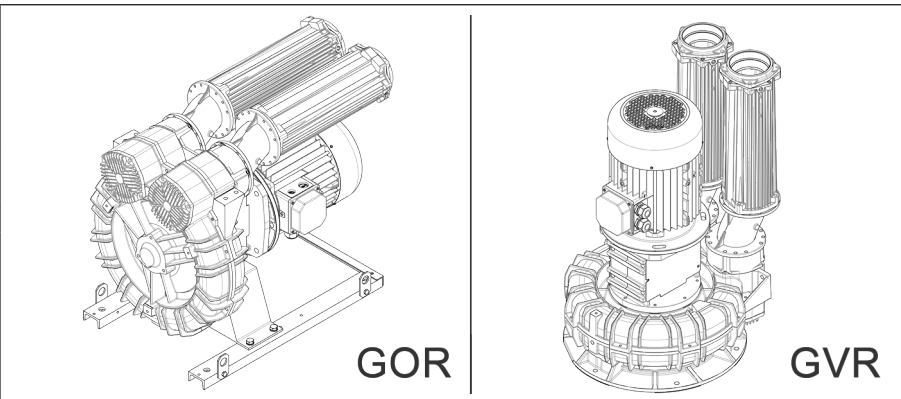


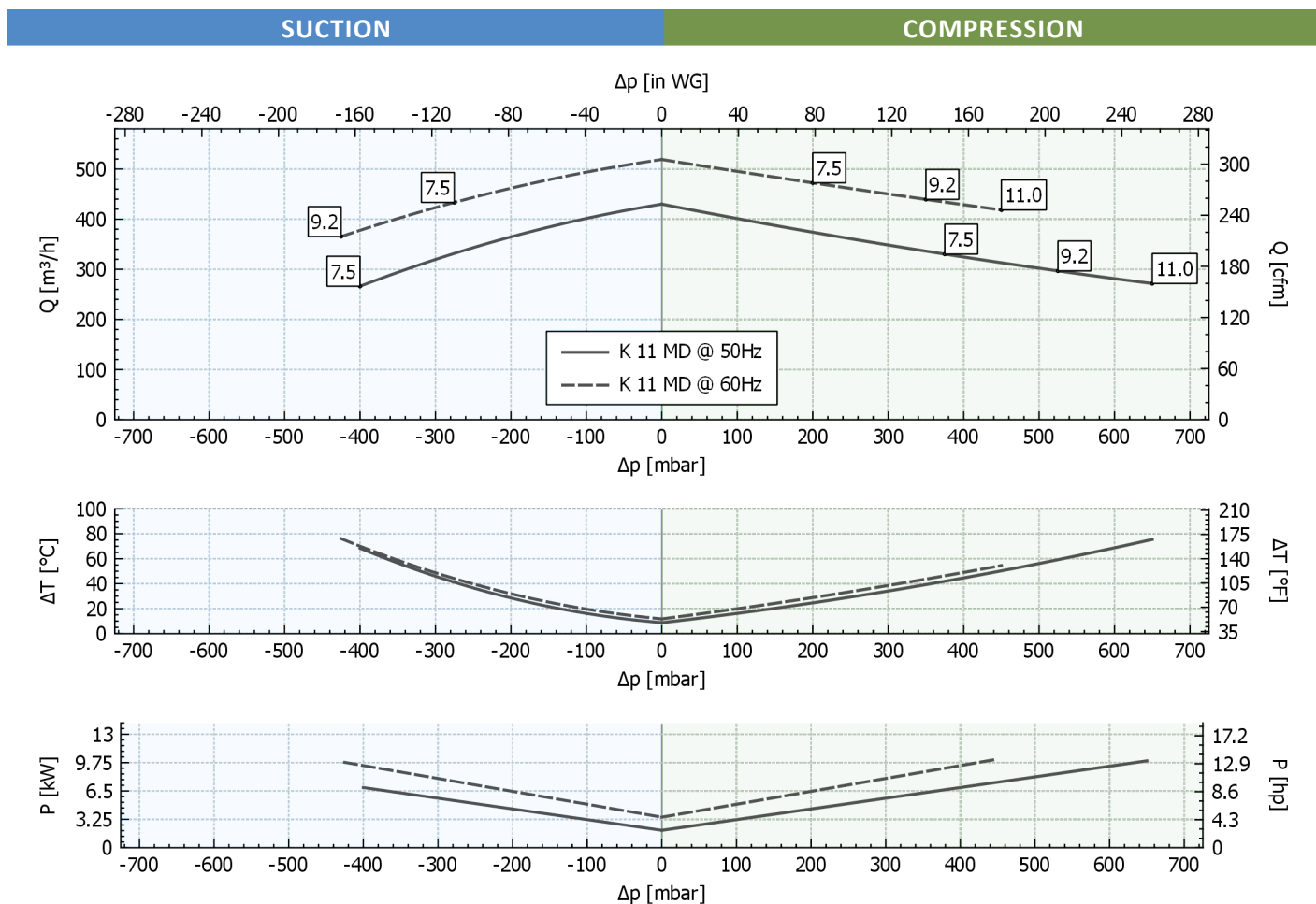
Technical Characteristics
<ul style="list-style-type: none"> <li>- Aluminum alloy construction</li> <li>- Smooth operation</li> <li>- Maintenance free</li> </ul>
Electric Motor
<ul style="list-style-type: none"> <li>- Motors with IP 55 protection rating.</li> <li>- Class F(B) insulation</li> </ul>
Options
<ul style="list-style-type: none"> <li>- Special voltages (IEC 60038)</li> <li>- Surface treatments</li> <li>- Increased seal version</li> <li>- VFD compatible motor</li> <li>- PTO/PTC thermal protector</li> </ul>



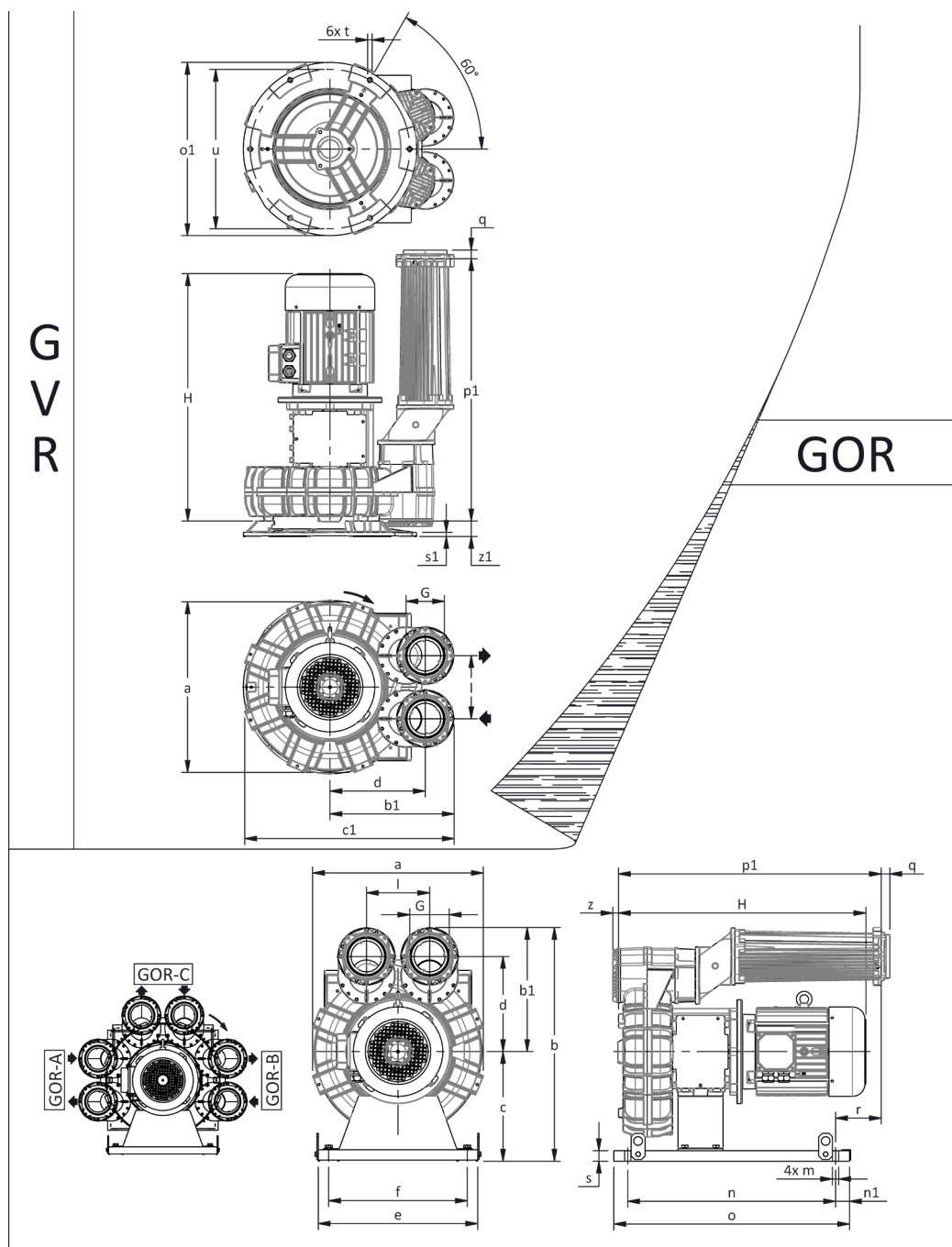
### Performance Table

P <sub>n</sub> [kW]	Frequency [Hz]	Δp <sub>max</sub> [mbar]		Q <sub>max</sub> [m <sup>3</sup> /h]	Leq <sup>1</sup> [dB(A)]	Weight [kg] GOR / GVR	H <sup>2</sup> [mm]
		Suction	Compression				
7.5	50	400	375	430	78.4	50	121.5
7.5	60	275	200	519	80.4	50	121.5
9.2	50	-	525	430	78.4	50	127.5
9.2	60	425	350	519	80.4	50	127.5
11	50	-	650	430	78.4	50	131.5
11	60	-	450	519	80.4	50	131.5

1. Noise level measured at a distance of 1 m with ducted intake and delivery, in accordance with Standard ISO 3744.  
 2. See figure "dimensions" at following page.



Tolerance on indicated values ± 10%.  
 Data subject to change without notice.  
 Curves referring to air at a temperature of 20 °C and atmospheric pressure of 1013 mbar (abs).


**Dimensions**

 Dimensions in mm  
 NOT Binding

a	b	b1	c	c1	d	d1	e	f	G	l	l1	l2	m				
542	695	380	315	651	297	-	460	400	G 4"	200	-	-	18				
n	n1	o	o1	p1	p2	q	r	r1	s	s1	t	u	v	w	x	z	z1
600	40	680	500	770	-	25	138	-	30	12	13	460	-	-	-	16	45

**INSTALLATION**

- For proper operation of the machine, it must be provided with a suction FILTER and a vacuum/pressure limiting VALVE.
- Other accessories are available on request.
- Permissible ambient and fluid temperature in suction from -15 °C to +40 °C.
- Read the instruction manual carefully before installing the machine.