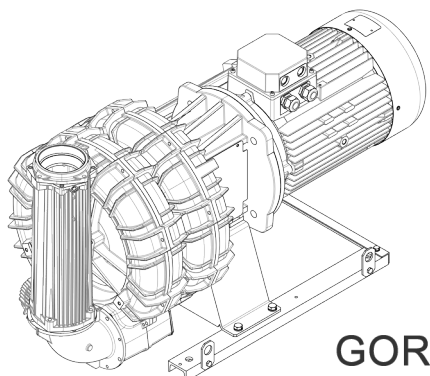


<b>Technical Characteristics</b>
- Aluminum alloy construction - Smooth operation - Maintenance free
<b>Electric Motor</b>
- Motors with IP 55 protection rating. - Class F(B) insulation
<b>Options</b>
- Special voltages (IEC 60038) - Surface treatments - Increased seal version - VFD compatible motor - PTO/PTC thermal protector



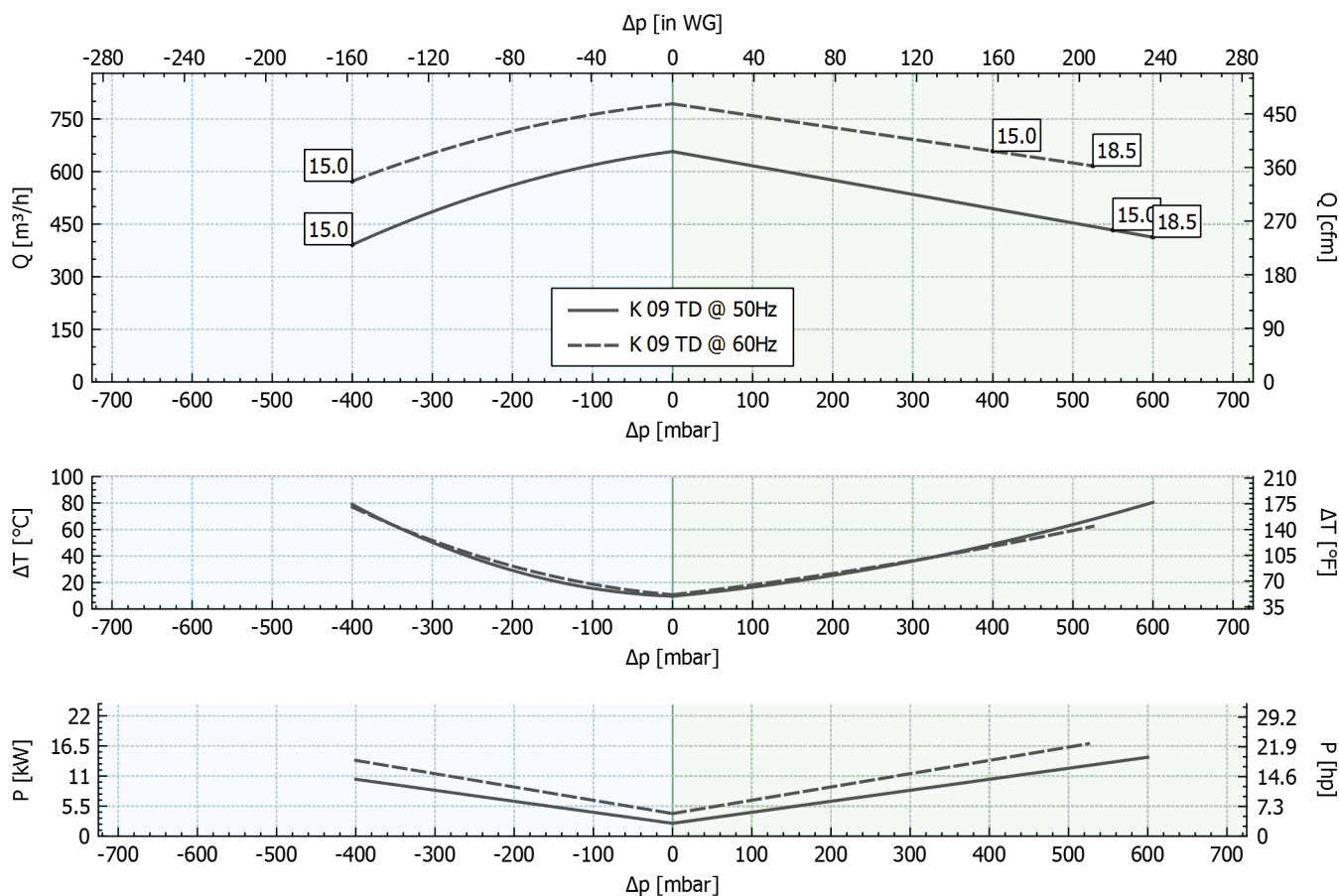
**GOR**

**Performance Table**

P <sub>n</sub> [kW]	Frequency [Hz]	Δp <sub>max</sub> [mbar]		Q <sub>max</sub> [m <sup>3</sup> /h]	Leq <sup>1</sup> [dB(A)]	Weight [kg]	H <sup>2</sup> [mm]
		Suction	Compression				
15	50	400	550	657	79.9	198.5	1014
15	60	400	400	793	81.9	198.5	1014
18.5	50	-	600	657	79.9	267.0	1058
18.5	60	-	525	793	81.9	267.0	1058

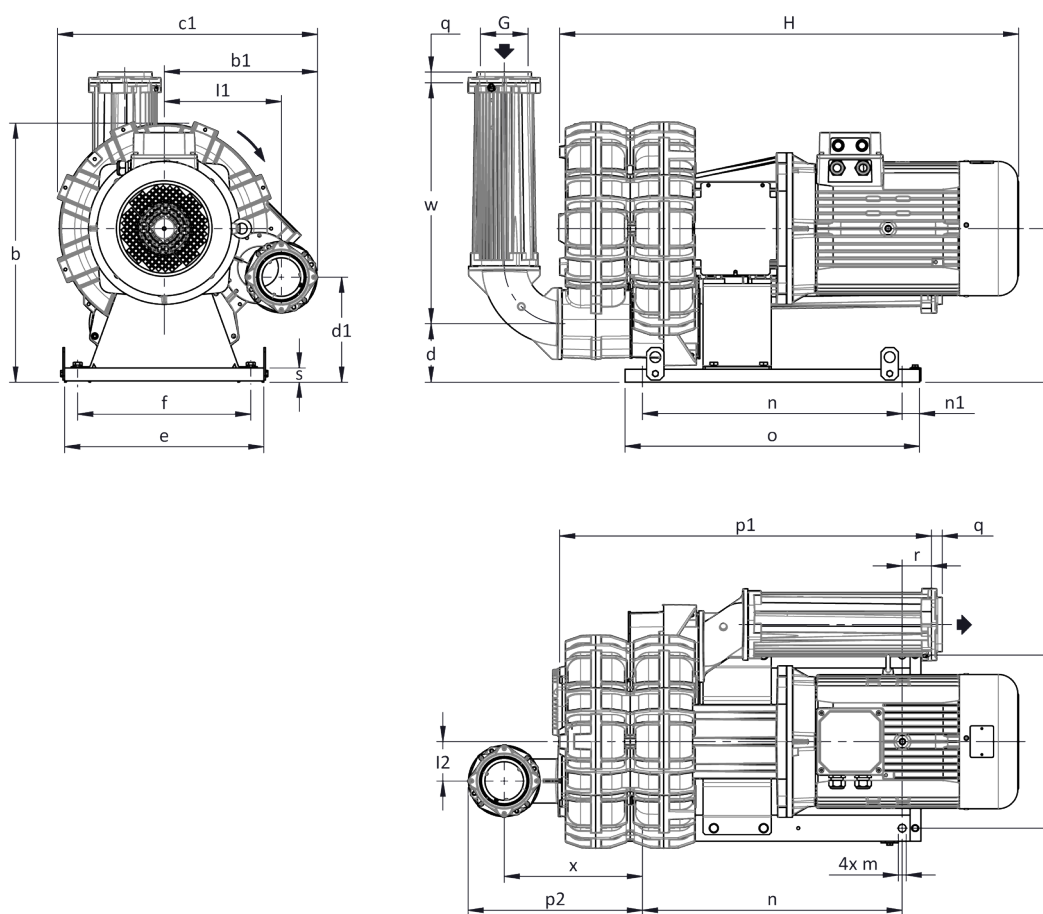
1. Noise level measured at a distance of 1 m with ducted intake and delivery, in accordance with Standard ISO 3744.  
 2. See figure "dimensions" at following page.

**SUCTION** **COMPRESSION**



Tolerance on indicated values ± 10%.  
 Data subject to change without notice.  
 Curves referring to air at a temperature of 20 °C and atmospheric pressure of 1013 mbar (abs).

## Dimensions



For all assembly options refer to FPZ.  
 Dimensions in mm  
 NOT Binding

a	b	b1	c	c1	d	d1	e	f	G	l	l1	l2	m				
-	601	354	355	600	135	243	460	400	G 4"	-	270	91	18				
n	n1	o	o1	p1	p2	q	r	r1	s	s1	t	u	v	w	x	z	z1
600	40	680	-	858	403	25	68	-	30	-	-	-	-	556	319	-	-

## INSTALLATION

- For proper operation of the machine, it must be provided with a suction FILTER and a vacuum/pressure limiting VALVE.
- Other accessories are available on request.
- Permissible ambient and fluid temperature in suction from -15 °C to +40 °C.
- Read the instruction manual carefully before installing the machine.