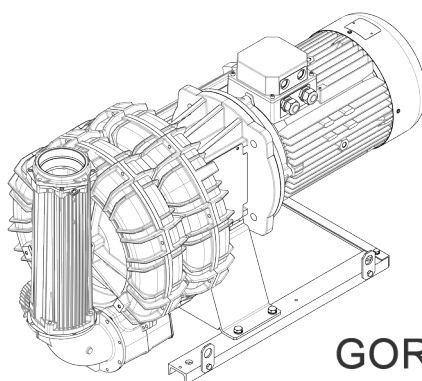


Technical Characteristics
<ul style="list-style-type: none"> - Aluminum alloy construction - Smooth operation - Maintenance free
Electric Motor
<ul style="list-style-type: none"> - Motors with IP 55 protection rating. - Class F(B) insulation
Options
<ul style="list-style-type: none"> - Special voltages (IEC 60038) - Surface treatments - Increased seal version - VFD compatible motor - PTO/PTC thermal protector



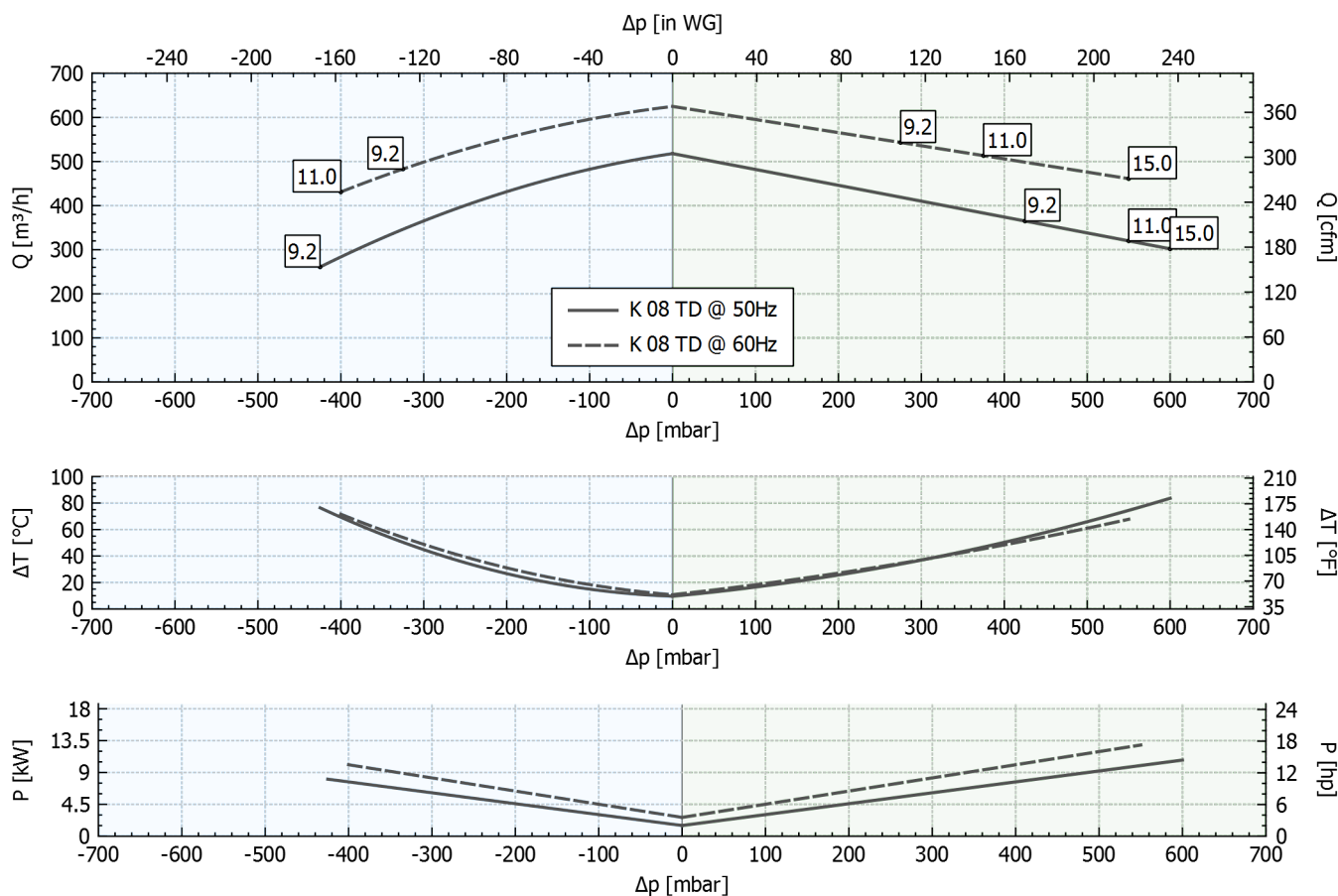
GOR

Performance Table

P _n [kW]	Frequency [Hz]	Δp _{max} [mbar]		Q _{max} [m ³ /h]	Leq ¹ [dB(A)]	Weight [kg]	H ² [mm]
		Suction	Compression				
9.2	50	425	425	518	77	132.0	877
9.2	60	325	275	625	79	132.0	877
11	50	-	550	518	77	136.0	877
11	60	400	375	625	79	136.0	877
15	50	-	600	518	77	174.5	982
15	60	-	550	625	79	174.5	982

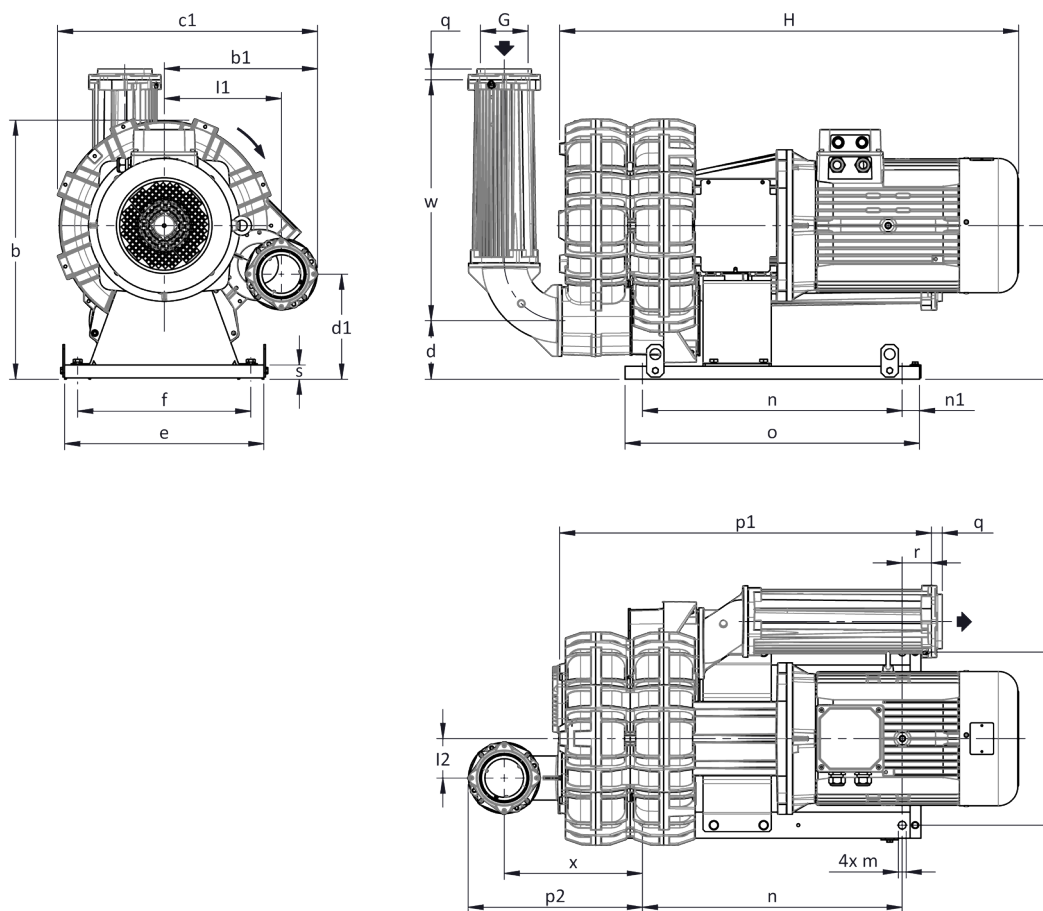
1. Noise level measured at a distance of 1 m with ducted intake and delivery, in accordance with Standard ISO 3744.
 2. See figure "dimensions" at following page.

SUCTION **COMPRESSION**



Tolerance on indicated values ± 10%.
 Data subject to change without notice.
 Curves referring to air at a temperature of 20 °C and atmospheric pressure of 1013 mbar (abs).

Dimensions



For all assembly options refer to FPZ.
 Dimensions in mm
 NOT Binding

a	b	b1	c	c1	d	d1	e	f	G	l	l1	l2	m				
-	505	315	275	544	88	175	400	340	G 3"	-	243	77.5	18				
n	n1	o	o1	p1	p2	q	r	r1	s	s1	t	u	v	w	x	z	z1
520	40	600	-	750	346	25	64	-	30	-	-	-	-	481	274	-	-

INSTALLATION

- For proper operation of the machine, it must be provided with a suction FILTER and a vacuum/pressure limiting VALVE.
- Other accessories are available on request.
- Permissible ambient and fluid temperature in suction from -15 °C to +40 °C.
- Read the instruction manual carefully before installing the machine.