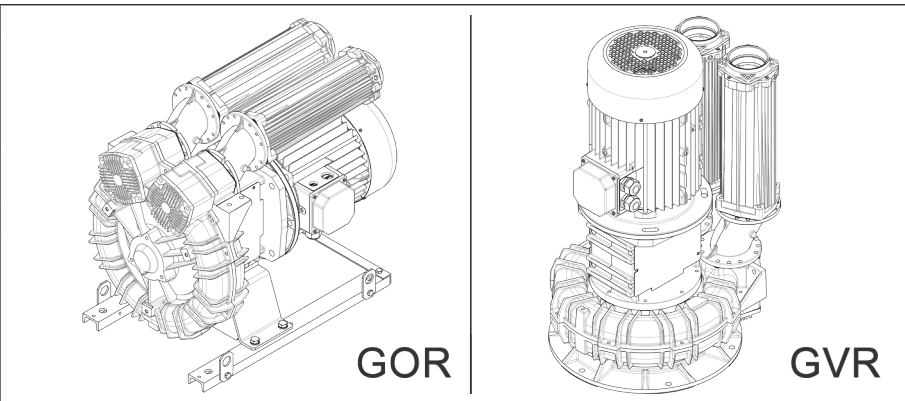


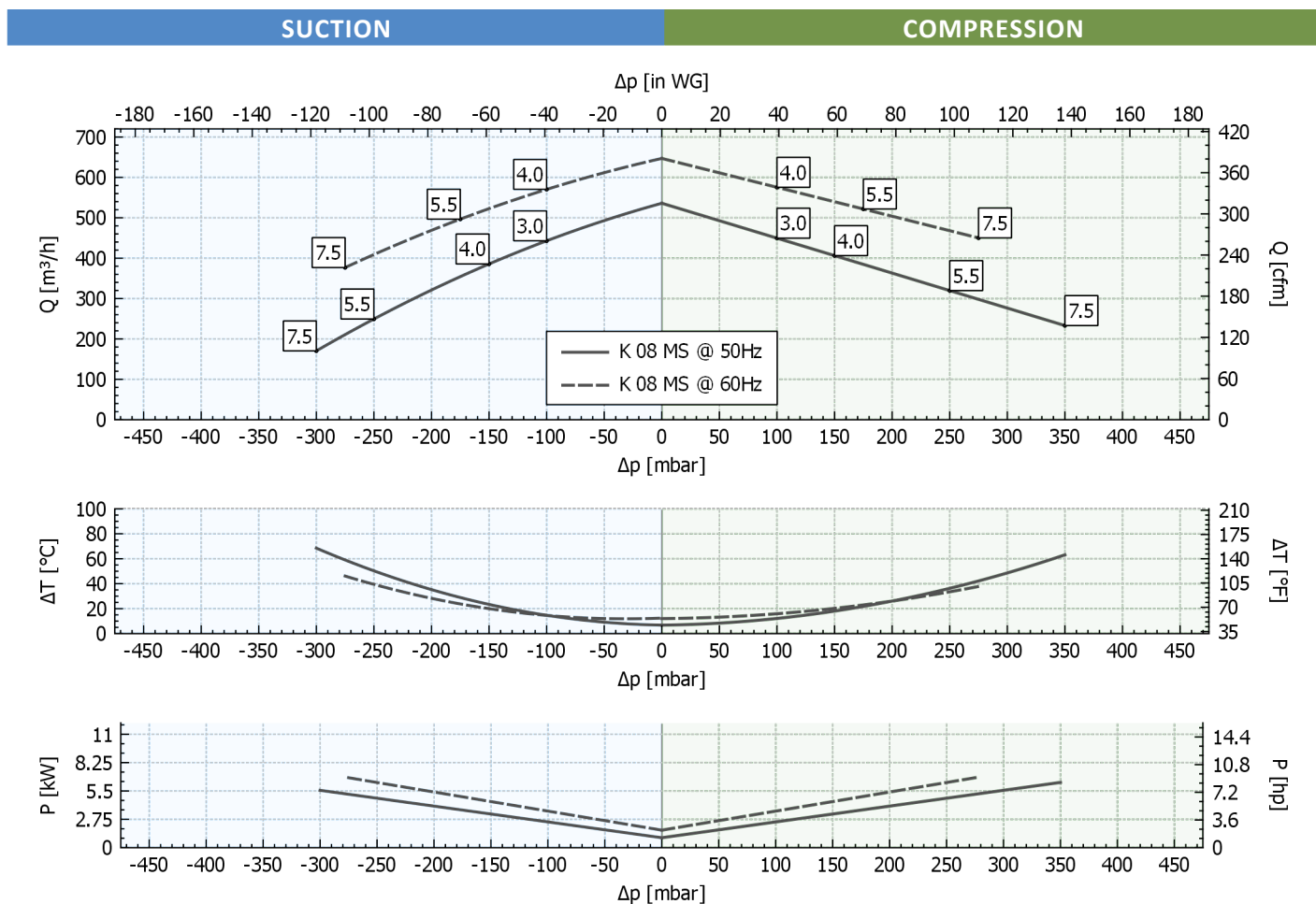
Technical Characteristics
<ul style="list-style-type: none"> - Aluminum alloy construction - Smooth operation - Maintenance free
Electric Motor
<ul style="list-style-type: none"> - Motors with IP 55 protection rating. - Class F(B) insulation
Options
<ul style="list-style-type: none"> - Special voltages (IEC 60038) - Surface treatments - Increased seal version - VFD compatible motor - PTO/PTC thermal protector



Performance Table

P _n [kW]	Frequency [Hz]	Δp _{max} [mbar]		Q _{max} [m ³ /h]	Leq ¹ [dB(A)]	Weight [kg] GOR / GVR	H ² [mm]
		Suction	Compression				
3	50	100	100	536	76.5	77.5 / 68.5	618
4	50	150	150	536	76.5	83.0 / 74.0	641
4	60	100	100	647	78.5	83.0 / 74.0	641
5.5	50	250	250	536	76.5	89.5 / 80.5	641
5.5	60	175	175	647	78.5	89.5 / 80.5	641
7.5	50	300	350	536	76.5	106.5 / 97.5	702
7.5	60	275	275	647	78.5	106.5 / 97.5	702

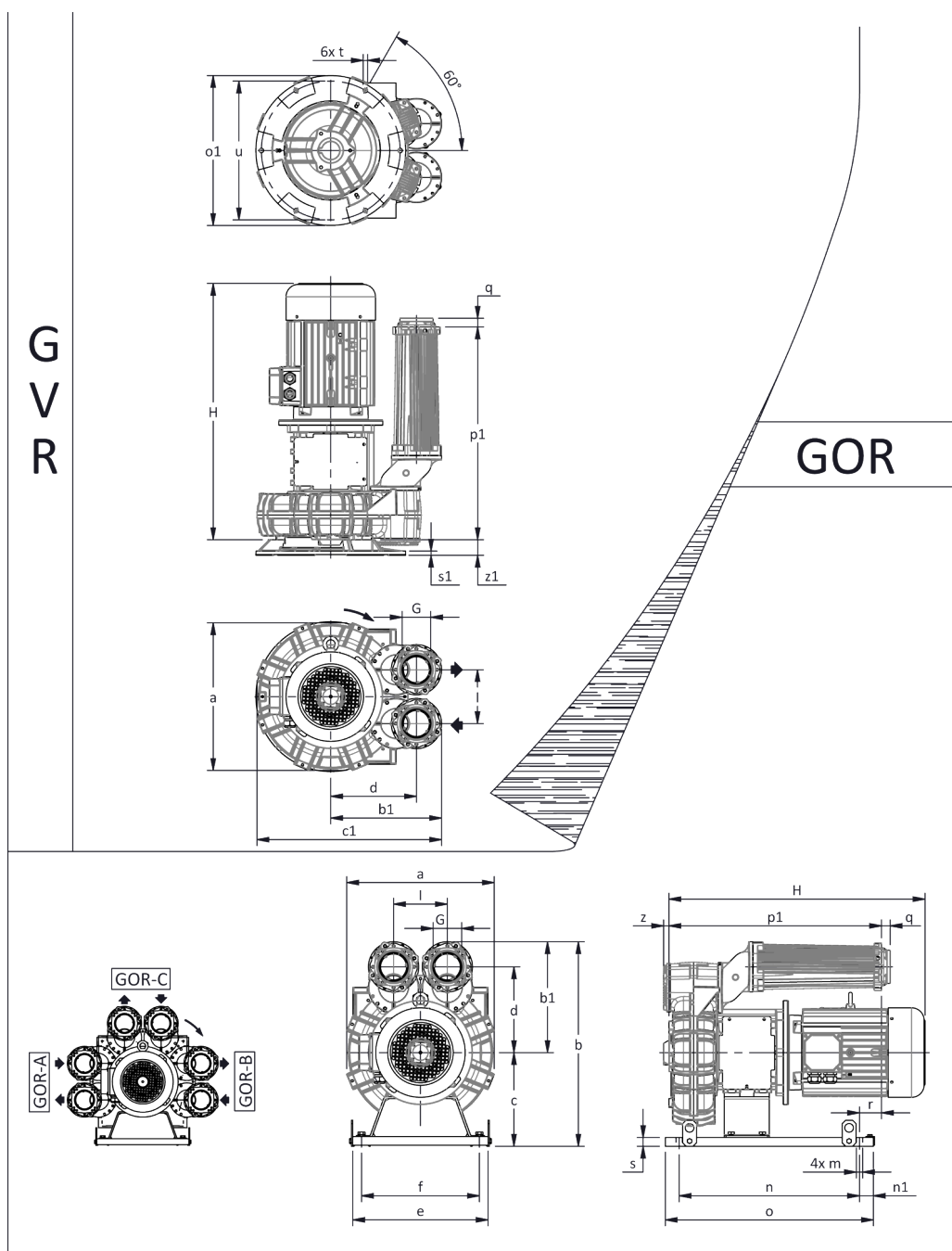
1. Noise level measured at a distance of 1 m with ducted intake and delivery, in accordance with Standard ISO 3744.
 2. See figure "dimensions" at following page.



Tolerance on indicated values ± 10%.
 Data subject to change without notice.
 Curves referring to air at a temperature of 20 °C and atmospheric pressure of 1013 mbar (abs).



Dimensions



Configuration with a vertical silencer is only available with the CK accessory kit; for all assembly options refer to FPZ.

Dimensions in mm

NOT Binding

a	b	b1	c	c1	d	d1	e	f	G	l	l1	l2	m				
457	590	320	270	549	247	-	390	340	G 3"	155	-	-	18				
n	n1	o	o1	p1	p2	q	r	r1	s	s1	t	u	v	w	x	z	z1
520	40	600	430	613	-	25	63	-	25	12	13	400	-	-	-	16	45

INSTALLATION

- For proper operation of the machine, it must be provided with a suction FILTER and a vacuum/pressure limiting VALVE.
- Other accessories are available on request.
- Permissible ambient and fluid temperature in suction from -15 °C to +40 °C.
- Read the instruction manual carefully before installing the machine.