

**Technical Characteristics**

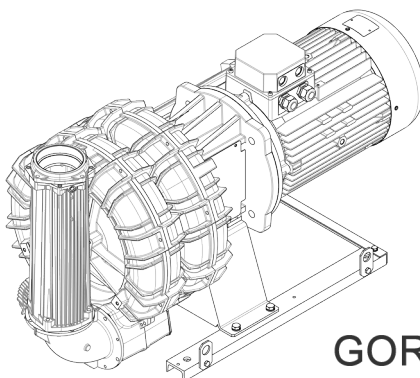
- Aluminum alloy construction
- Smooth operation
- Maintenance free

**Electric Motor**

- Motors with IP 55 protection rating.
- Class F(B) insulation

**Options**

- Special voltages (IEC 60038)
- Surface treatments
- Increased seal version
- VFD compatible motor
- PTO/PTC thermal protector



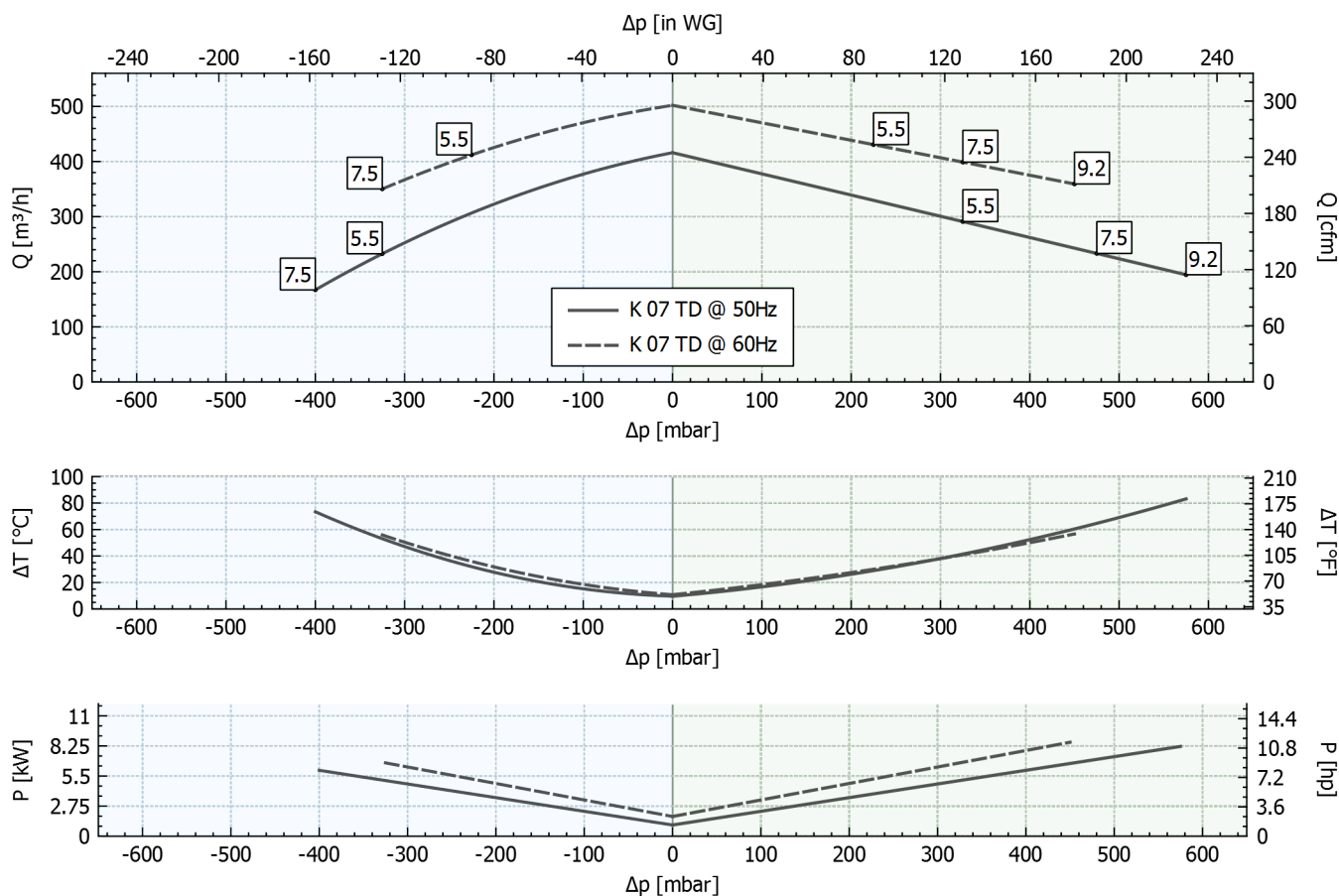
**GOR**

**Performance Table**

P <sub>n</sub> [kW]	Frequency [Hz]	Δp <sub>max</sub> [mbar]		Q <sub>max</sub> [m <sup>3</sup> /h]	Leq <sup>1</sup> [dB(A)]	Weight [kg]	H <sup>2</sup> [mm]
		Suction	Compression				
5.5	50	325	325	416	74.6	103.5	778
5.5	60	225	225	502	76.6	103.5	778
7.5	50	400	475	416	74.6	120.5	839
7.5	60	325	325	502	76.6	120.5	839
9.2	50	-	575	416	74.6	126.5	877
9.2	60	-	450	502	76.6	126.5	877

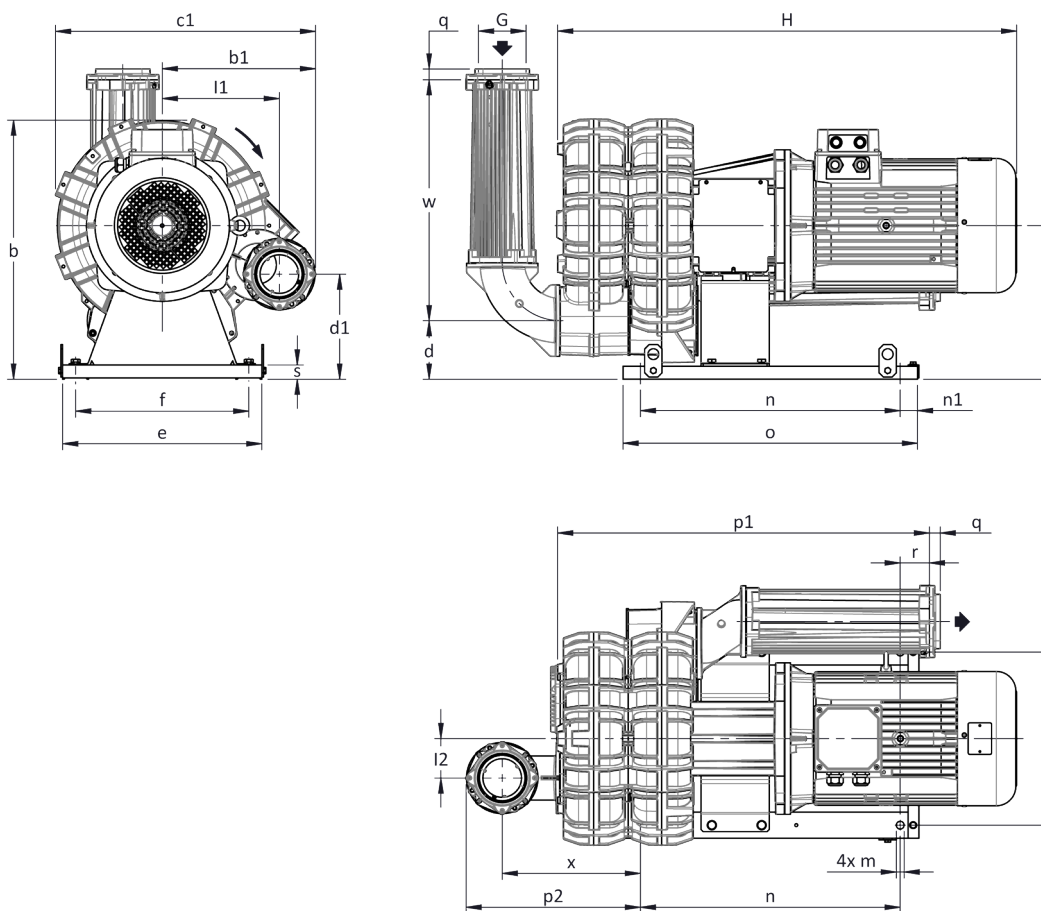
1. Noise level measured at a distance of 1 m with ducted intake and delivery, in accordance with Standard ISO 3744.  
 2. See figure "dimensions" at following page.

**SUCTION** **COMPRESSION**



Tolerance on indicated values ± 10%.  
 Data subject to change without notice.  
 Curves referring to air at a temperature of 20 °C and atmospheric pressure of 1013 mbar (abs).

## Dimensions



For all assembly options refer to FPZ.  
 Dimensions in mm  
 NOT Binding

a	b	b1	c	c1	d	d1	e	f	G	l	l1	l2	m				
-	488	315	275	528	88	175	400	340	G 3"	-	243	77.5	18				
n	n1	o	o1	p1	p2	q	r	r1	s	s1	t	u	v	w	x	z	z1
520	40	600	-	750	346	25	64	-	30	-	-	-	-	481	274	-	-

## INSTALLATION

- For proper operation of the machine, it must be provided with a suction FILTER and a vacuum/pressure limiting VALVE.
- Other accessories are available on request.
- Permissible ambient and fluid temperature in suction from -15 °C to +40 °C.
- Read the instruction manual carefully before installing the machine.