

**Technical Characteristics**

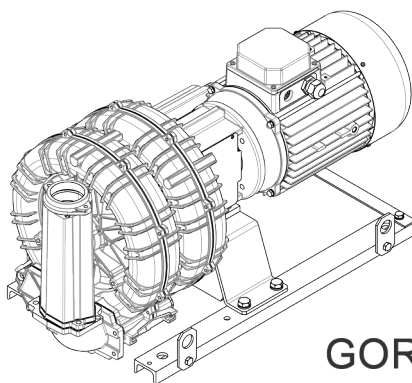
- Aluminum alloy construction
- Smooth operation
- Maintenance free

**Electric Motor**

- Motors with IP 55 protection rating.
- Class F(B) insulation

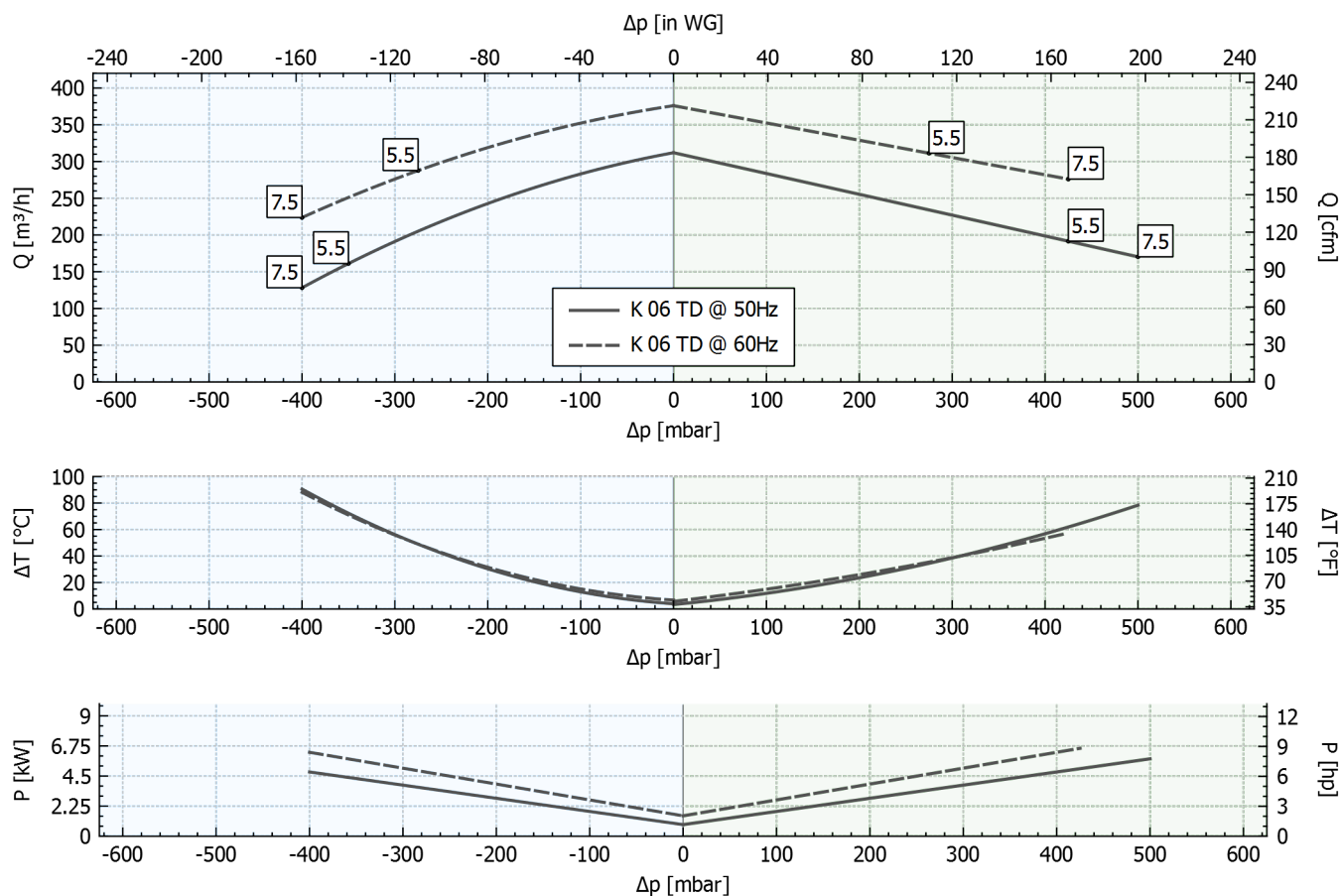
**Options**

- Special voltages (IEC 60038)
- Surface treatments
- Increased seal version
- VFD compatible motor
- PTO/PTC thermal protector


**GOR**
**Performance Table**

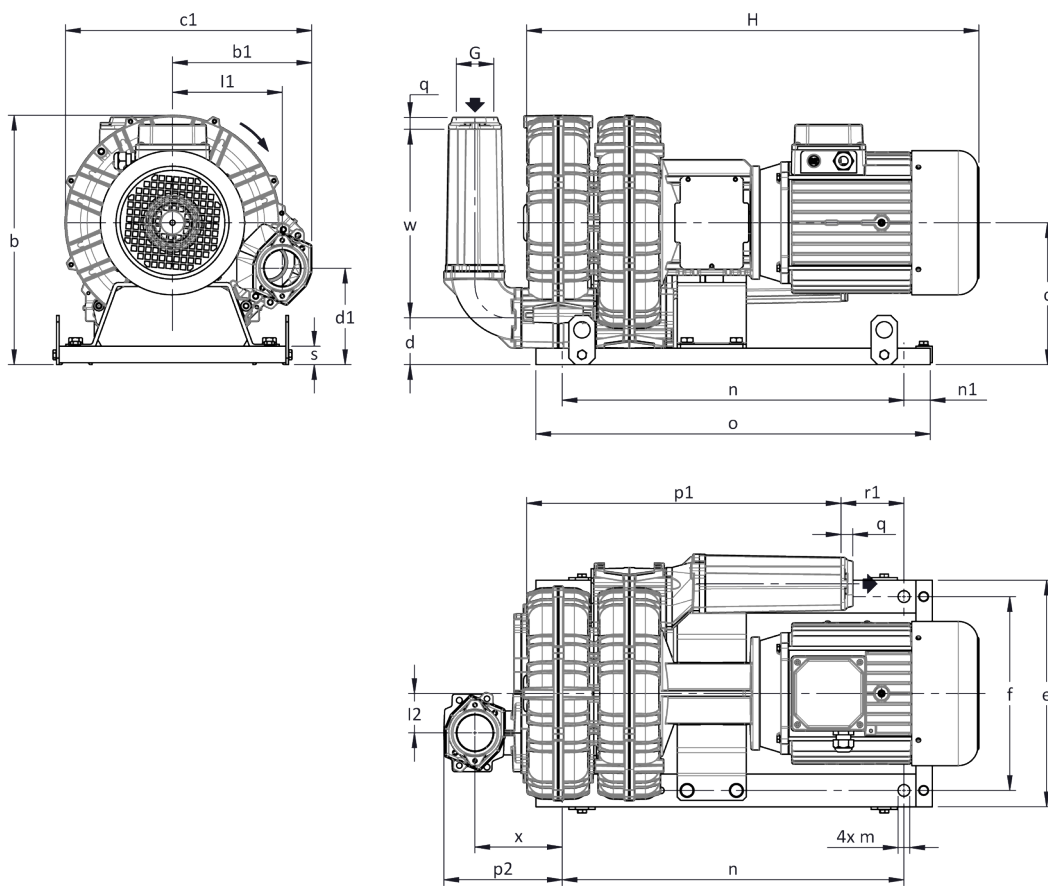
P <sub>n</sub> [kW]	Frequency [Hz]	Δp <sub>max</sub> [mbar]		Q <sub>max</sub> [m <sup>3</sup> /h]	Leq <sup>1</sup> [dB(A)]	Weight [kg]	H <sup>2</sup> [mm]
		Suction	Compression				
5.5	50	350	425	312	72.6	75.0	715
5.5	60	275	275	376	74.6	75.0	715
7.5	50	400	500	312	72.6	91.5	771
7.5	60	400	425	376	74.6	91.5	771

1. Noise level measured at a distance of 1 m with ducted intake and delivery, in accordance with Standard ISO 3744.
2. See figure "dimensions" at following page.

**SUCTION**
**COMPRESSION**


Tolerance on indicated values ± 10%.  
 Data subject to change without notice.  
 Curves referring to air at a temperature of 20 °C and atmospheric pressure of 1013 mbar (abs).

## Dimensions



For all assembly options refer to FPZ.  
 Dimensions in mm  
 NOT Binding

a	b	b1	c	c1	d	d1	e	f	G	l	l1	l2	m				
-	404	218	216	406	65	144	345	295	G 2"	-	173	62	18				
n	n1	o	o1	p1	p2	q	r	r1	s	s1	t	u	v	w	x	z	z1
520	40	600	-	506	247	18	-	135	25	-	-	-	-	286	200	-	-

## INSTALLATION

- For proper operation of the machine, it must be provided with a suction FILTER and a vacuum/pressure limiting VALVE.
- Other accessories are available on request.
- Permissible ambient and fluid temperature in suction from -15 °C to +40 °C.
- Read the instruction manual carefully before installing the machine.