

**Technical Characteristics**

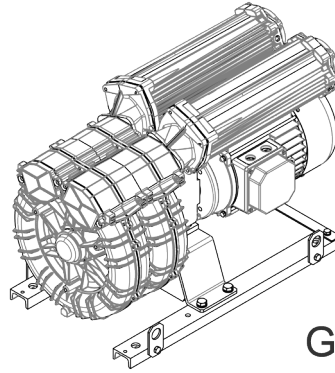
- Aluminum alloy construction
- Smooth operation
- Maintenance free

**Electric Motor**

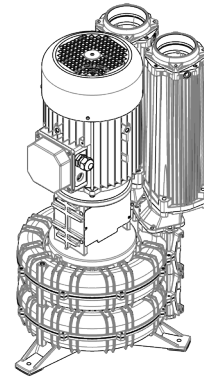
- Motors with IP 55 protection rating.
- Class F(B) insulation

**Options**

- Special voltages (IEC 60038)
- Surface treatments
- Increased seal version
- VFD compatible motor
- PTO/PTC thermal protector



GOR

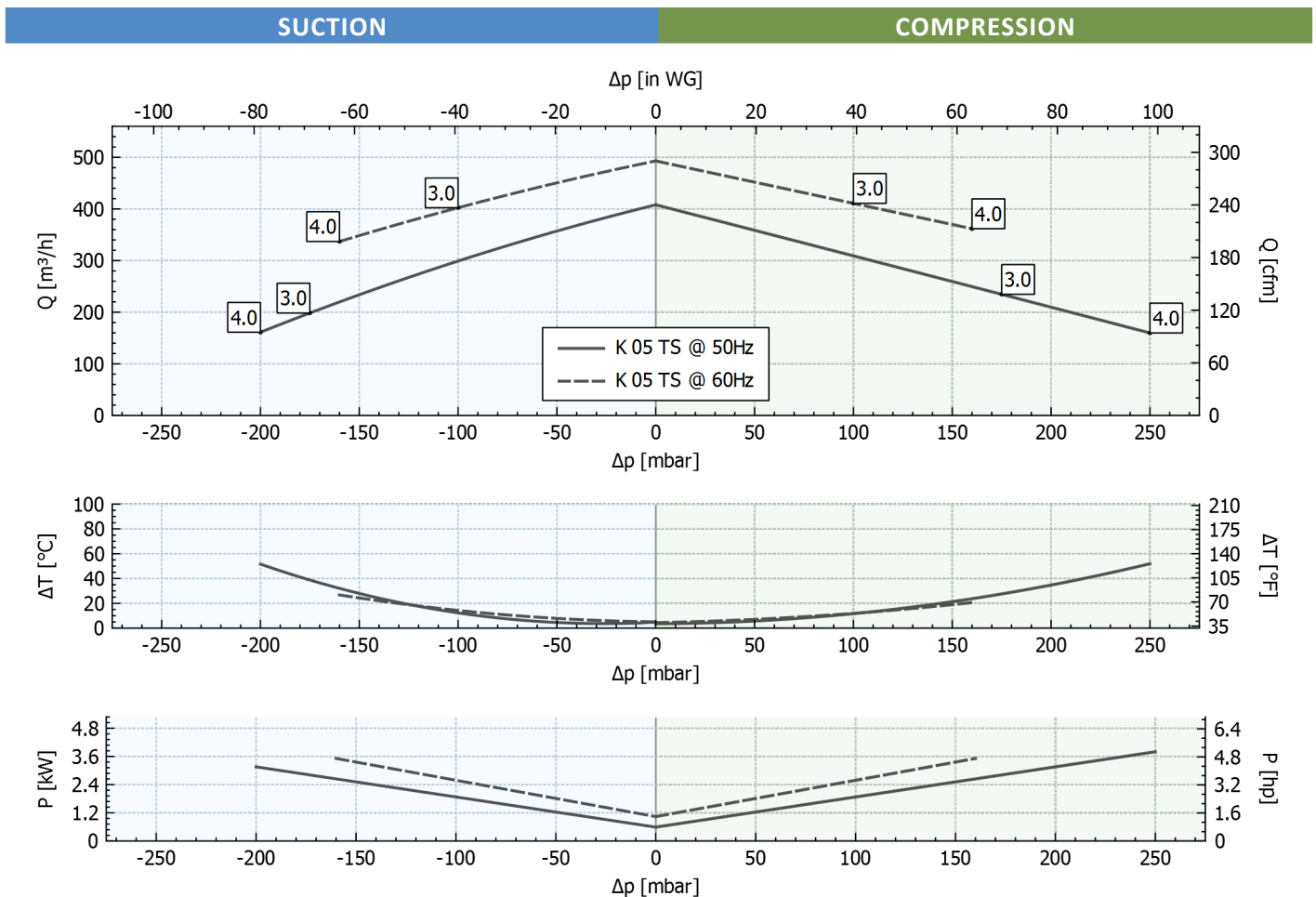


GVR

**Performance Table**

P <sub>n</sub> [kW]	Frequency [Hz]	Δp <sub>max</sub> [mbar]		Q <sub>max</sub> [m <sup>3</sup> /h]	Leq <sup>1</sup> [dB(A)]	Weight [kg] GOR / GVR	H <sup>2</sup> [mm]
		Suction	Compression				
3	50	175	175	408	69.6	64.5 / 55.5	668
3	60	100	100	493	71.6	64.5 / 55.5	668
4	50	200	250	408	69.6	70.0 / 61.0	691
4	60	160	160	493	71.6	70.0 / 61.0	691

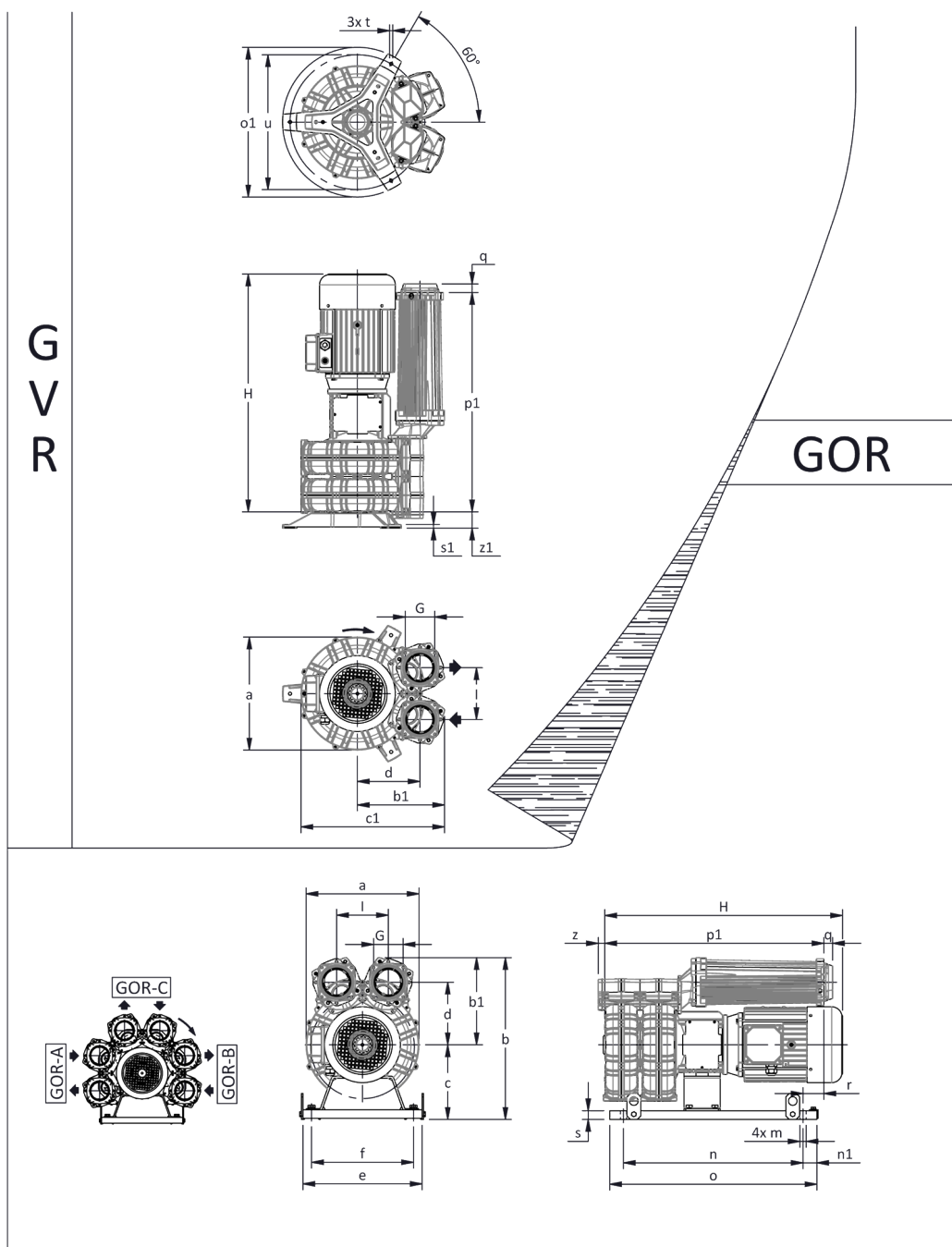
1. Noise level measured at a distance of 1 m with ducted intake and delivery, in accordance with Standard ISO 3744.  
 2. See figure "dimensions" at following page.



Tolerance on indicated values ± 10%.  
 Data subject to change without notice.  
 Curves referring to air at a temperature of 20 °C and atmospheric pressure of 1013 mbar (abs).



Dimensions



Configuration with a vertical silencer is only available with the CK accessory kit; for all assembly options refer to FPZ.  
 Dimensions in mm  
 NOT Binding

a	b	b1	c	c1	d	d1	e	f	G	l	l1	l2	m				
327	469	252	216	416	181	-	345	295	G 3"	150	-	-	18				
n	n1	o	o1	p1	p2	q	r	r1	s	s1	t	u	v	w	x	z	z1
520	40	600	433	635	-	25	60	-	25	10	9	390	-	-	-	19	47

INSTALLATION

- For proper operation of the machine, it must be provided with a suction FILTER and a vacuum/pressure limiting VALVE.
- Other accessories are available on request.
- Permissible ambient and fluid temperature in suction from -15 °C to +40 °C.
- Read the instruction manual carefully before installing the machine.