

Technical Characteristics

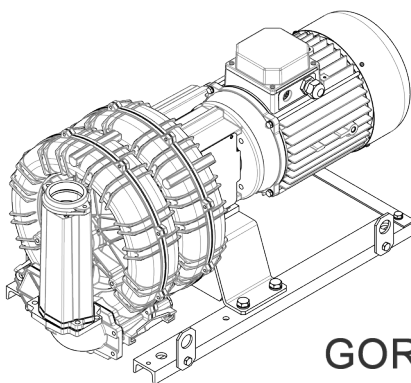
- Aluminum alloy construction
- Smooth operation
- Maintenance free

Electric Motor

- Motors with IP 55 protection rating.
- Class F(B) insulation

Options

- Special voltages (IEC 60038)
- Surface treatments
- Increased seal version
- VFD compatible motor
- PTO/PTC thermal protector



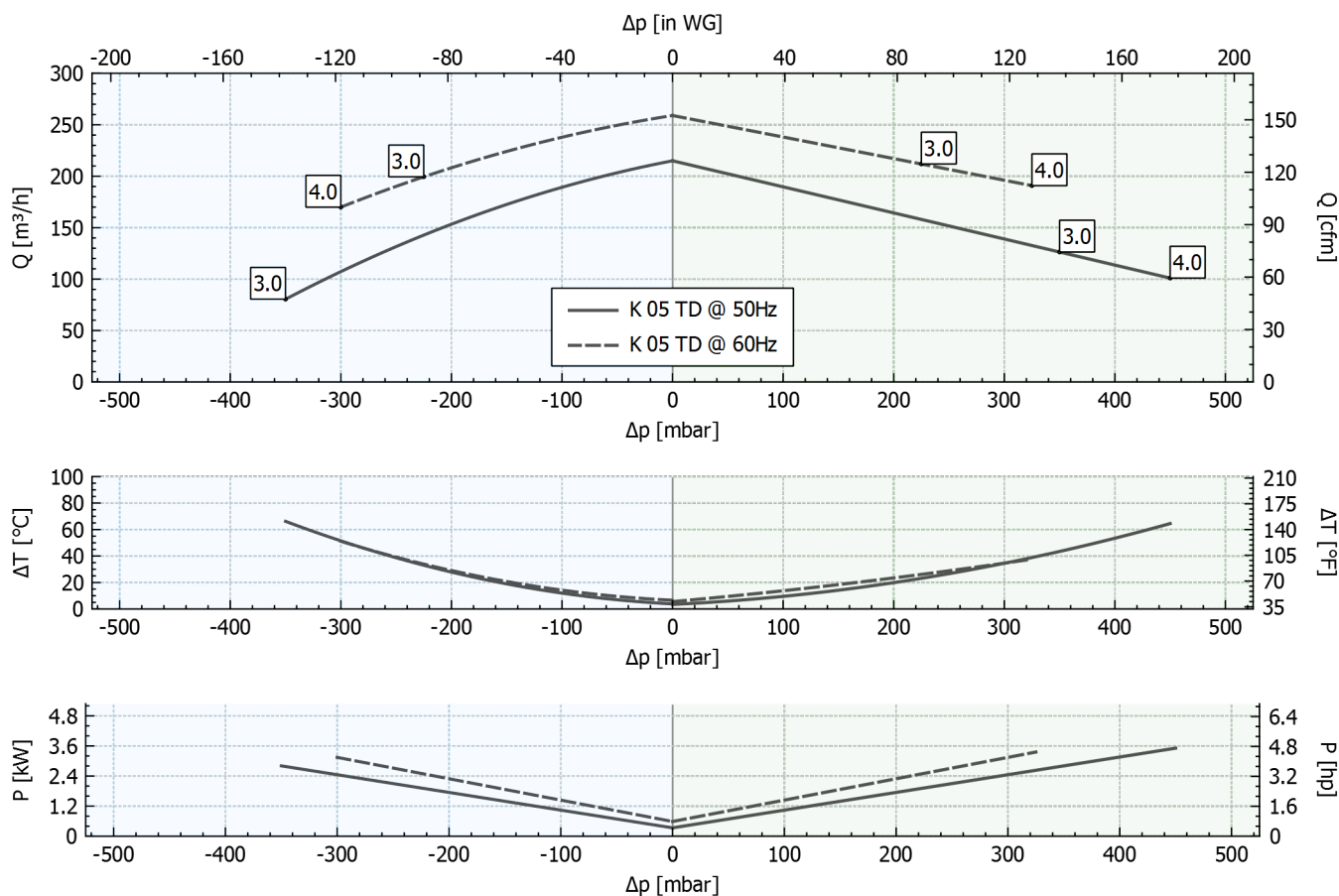
GOR

Performance Table

P _n [kW]	Frequency [Hz]	Δp _{max} [mbar]		Q _{max} [m ³ /h]	Leq ¹ [dB(A)]	Weight [kg]	H ² [mm]
		Suction	Compression				
3	50	350	350	215	70.6	57.5	668
3	60	225	225	259	72.6	57.5	668
4	50	-	450	215	70.6	63.5	691
4	60	300	325	259	72.6	63.5	691

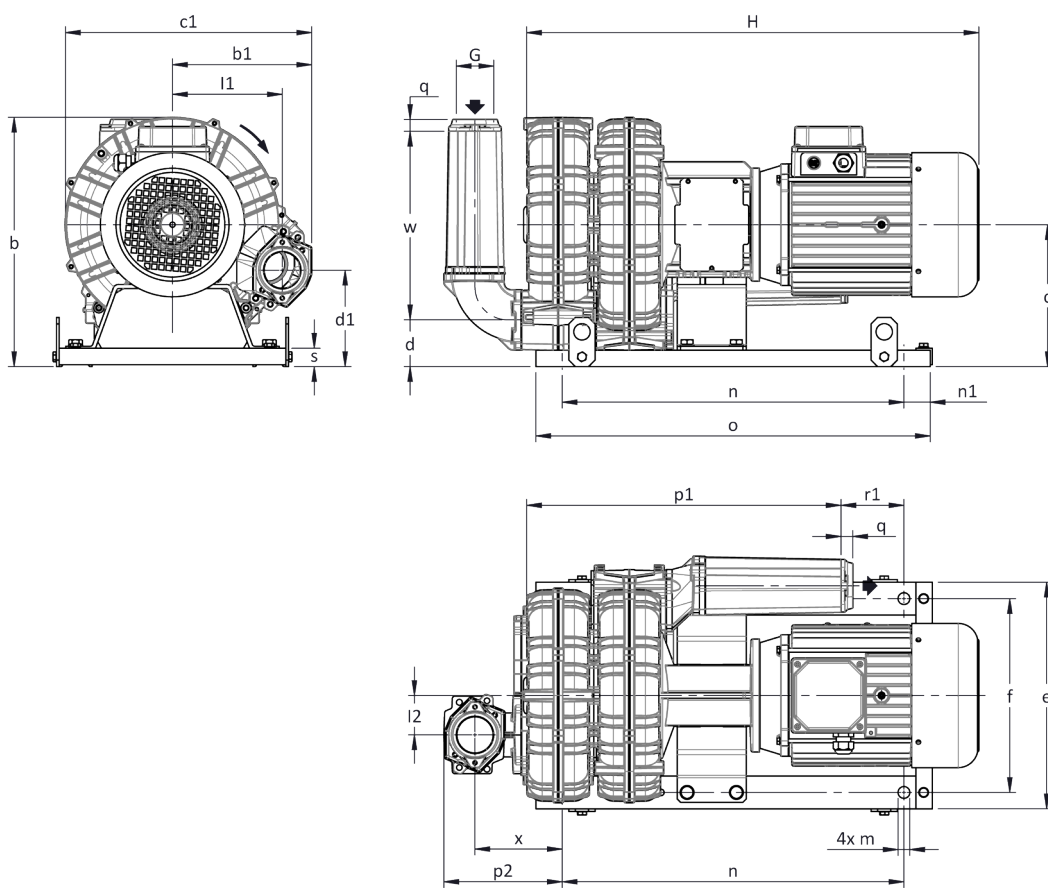
1. Noise level measured at a distance of 1 m with ducted intake and delivery, in accordance with Standard ISO 3744.
 2. See figure "dimensions" at following page.

SUCTION **COMPRESSION**



Tolerance on indicated values ± 10%.
 Data subject to change without notice.
 Curves referring to air at a temperature of 20 °C and atmospheric pressure of 1013 mbar (abs).

Dimensions



For all assembly options refer to FPZ.
 Dimensions in mm
 NOT Binding

a	b	b1	c	c1	d	d1	e	f	G	l	l1	l2	m				
-	380	212	216	376	71	147	345	295	G 2"	-	167	60	18				
n	n1	o	o1	p1	p2	q	r	r1	s	s1	t	u	v	w	x	z	z1
520	40	600	-	479	180	18	-	96	25	-	-	-	-	286	132	-	-

INSTALLATION

- For proper operation of the machine, it must be provided with a suction FILTER and a vacuum/pressure limiting VALVE.
- Other accessories are available on request.
- Permissible ambient and fluid temperature in suction from -15 °C to +40 °C.
- Read the instruction manual carefully before installing the machine.