

**Technical Characteristics**

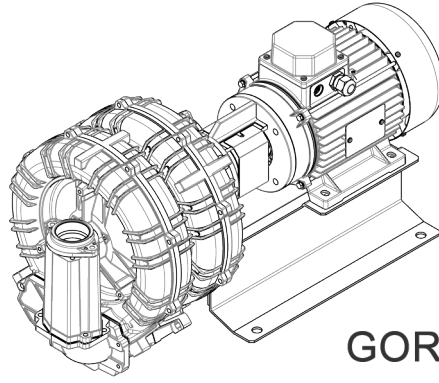
- Aluminum alloy construction
- Smooth operation
- Maintenance free

**Electric Motor**

- Motors with IP 55 protection rating.
- Class F(B) insulation

**Options**

- Special voltages (IEC 60038)
- Surface treatments
- Increased seal version
- VFD compatible motor
- PTO/PTC thermal protector

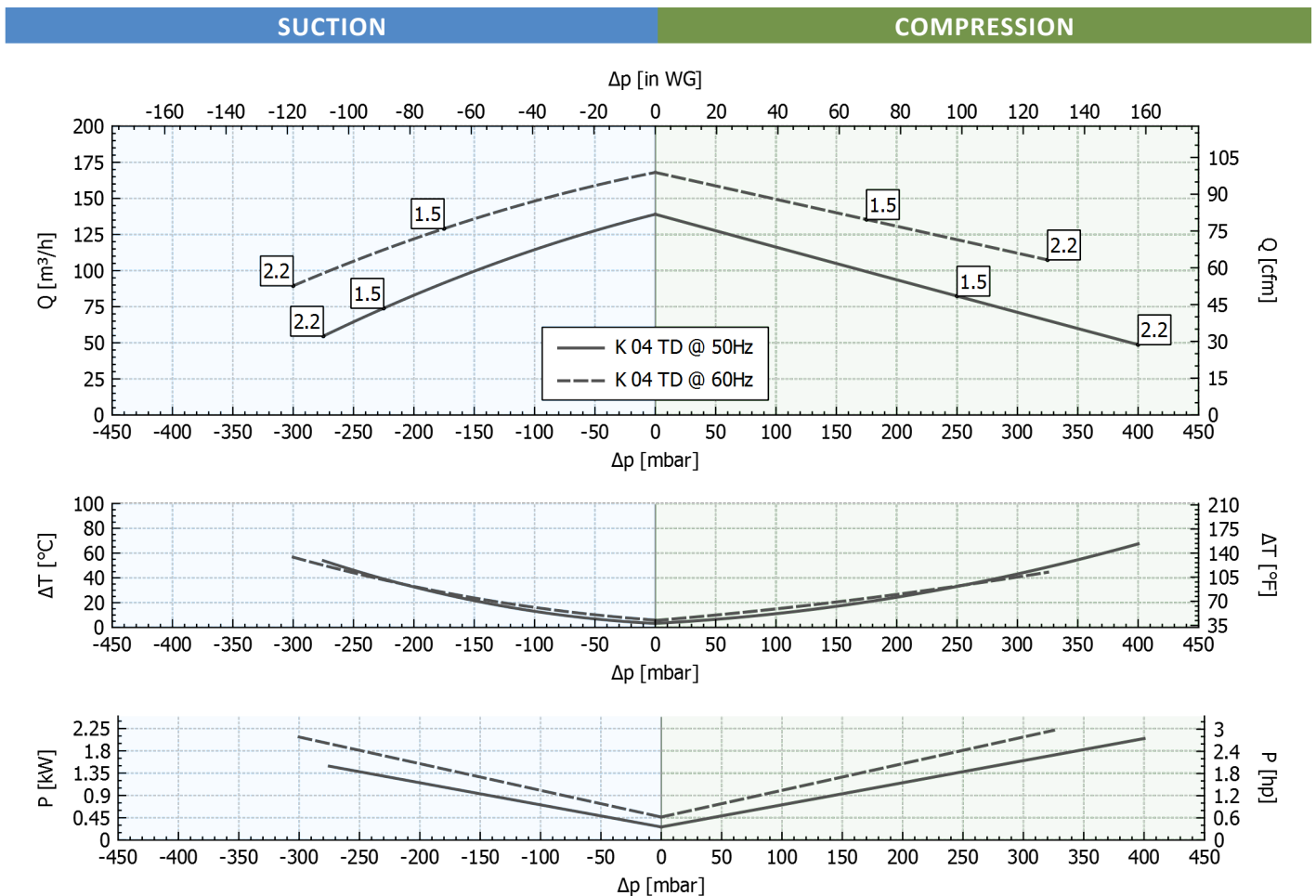


**GOR**

**Performance Table**

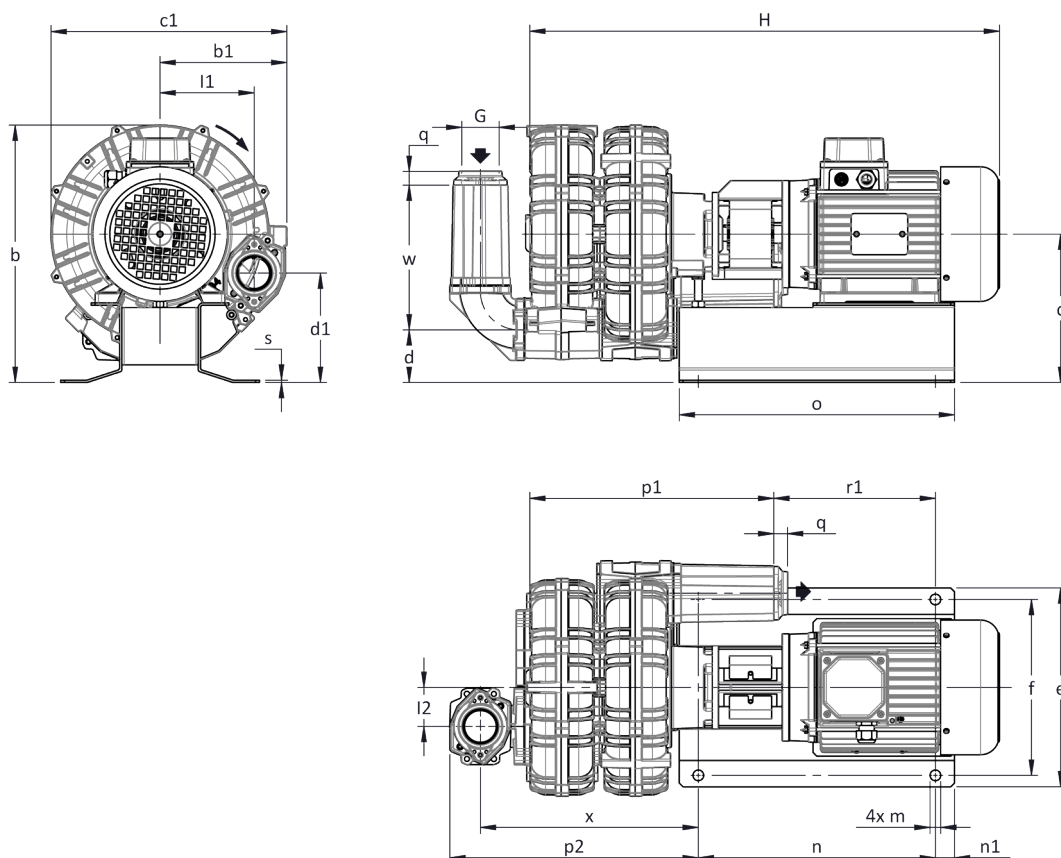
P <sub>n</sub> [kW]	Frequency [Hz]	Δp <sub>max</sub> [mbar]		Q <sub>max</sub> [m <sup>3</sup> /h]	Leq <sup>1</sup> [dB(A)]	Weight [kg]	H <sup>2</sup> [mm]
		Suction	Compression				
1.5	50	225	250	139	67.6	33.5	587
1.5	60	175	175	168	69.6	33.5	587
2.2	50	275	400	139	67.6	35.5	612
2.2	60	300	325	168	69.6	35.5	612

1. Noise level measured at a distance of 1 m with ducted intake and delivery, in accordance with Standard ISO 3744.  
 2. See figure "dimensions" at following page.



Tolerance on indicated values ± 10%.  
 Data subject to change without notice.  
 Curves referring to air at a temperature of 20 °C and atmospheric pressure of 1013 mbar (abs).

## Dimensions



For all assembly options refer to FPZ.  
 Dimensions in mm  
 NOT Binding

a	b	b1	c	c1	d	d1	e	f	G	l	l1	l2	m				
-	337	166	194	309	71	143	260	230	G 1" 1/2	-	123	51	14				
n	n1	o	o1	p1	p2	q	r	r1	s	s1	t	u	v	w	x	z	z1
310	25	360	-	315	325	18	-	215	3	-	-	-	-	187	285	-	-

## INSTALLATION

- For proper operation of the machine, it must be provided with a suction FILTER and a vacuum/pressure limiting VALVE.
- Other accessories are available on request.
- Permissible ambient and fluid temperature in suction from -15 °C to +40 °C.
- Read the instruction manual carefully before installing the machine.