

Technical Characteristics

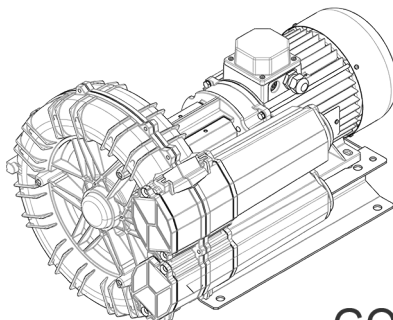
- Aluminum alloy construction
- Smooth operation
- Maintenance free

Electric Motor

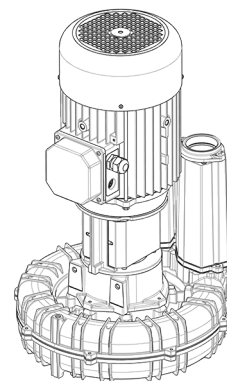
- Motors with IP 55 protection rating.
- Class F(B) insulation

Options

- Special voltages (IEC 60038)
- Surface treatments
- Increased seal version
- VFD compatible motor
- PTO/PTC thermal protector



GOR



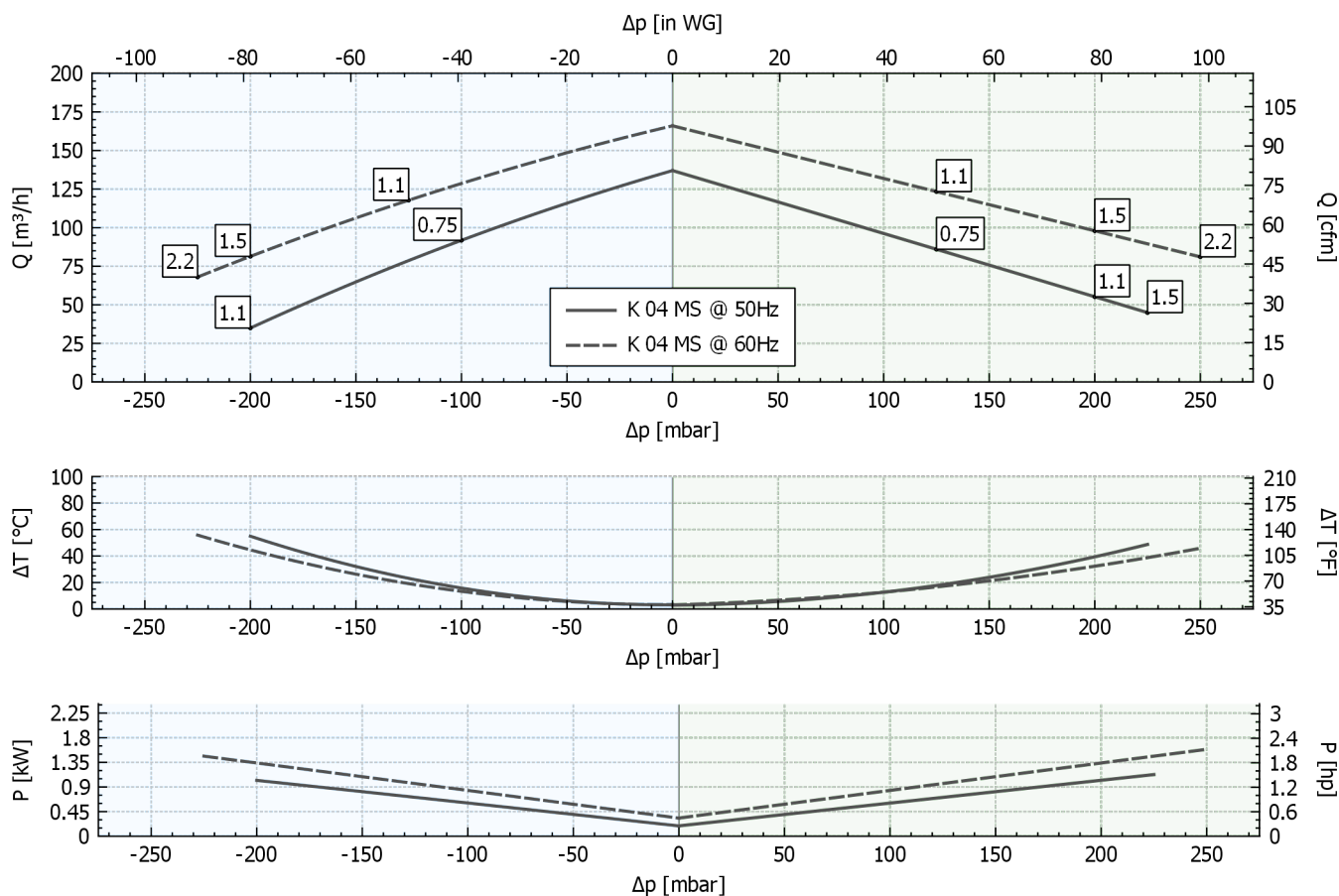
GVR

Performance Table

P _n [kW]	Frequency [Hz]	Δp _{max} [mbar]		Q _{max} [m ³ /h]	Leq ¹ [dB(A)]	Weight [kg] GOR / GVR	H ² [mm]
		Suction	Compression				
0.75	50	100	125	137	61.6	21.0 / 18.5	466
1.1	50	200	200	137	61.6	22.5 / 20.0	466
1.1	60	125	125	166	63.6	22.5 / 20.0	466
1.5	50	-	225	137	61.6	26.0 / 23.5	493
1.5	60	200	200	166	63.6	26.0 / 23.5	493
2.2	60	225	250	166	63.6	28.0 / 25.5	518

1. Noise level measured at a distance of 1 m with ducted intake and delivery, in accordance with Standard ISO 3744.
 2. See figure "dimensions" at following page.

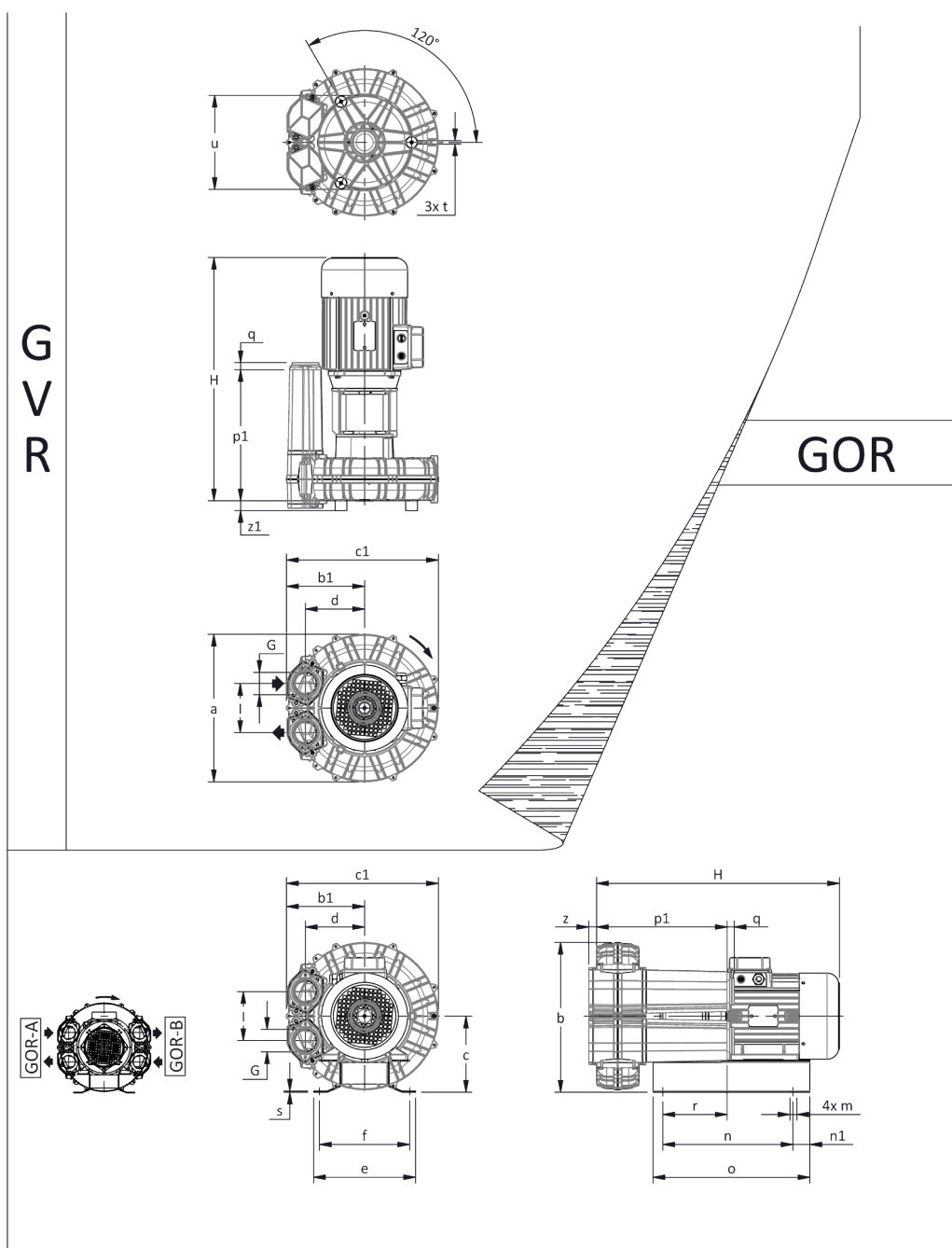
SUCTION **COMPRESSION**



Tolerance on indicated values ± 10%.
 Data subject to change without notice.
 Curves referring to air at a temperature of 20 °C and atmospheric pressure of 1013 mbar (abs).



Dimensions



Configuration with a vertical silencer is only available with the CK accessory kit; for all assembly options refer to FPZ.
 Dimensions in mm
 NOT Binding

a	b	b1	c	c1	d	d1	e	f	G	l	l1	l2	m				
285	326	164	162	307	123	-	200	170	G 1" 1/2	102	-	-	12				
n	n1	o	o1	p1	p2	q	r	r1	s	s1	t	u	v	w	x	z	z1
290	16	322	-	222	-	18	85	-	3	-	M6	175	-	-	-	18	25

INSTALLATION

- For proper operation of the machine, it must be provided with a suction FILTER and a vacuum/pressure limiting VALVE.
- Other accessories are available on request.
- Permissible ambient and fluid temperature in suction from -15 °C to +40 °C.
- Read the instruction manual carefully before installing the machine.