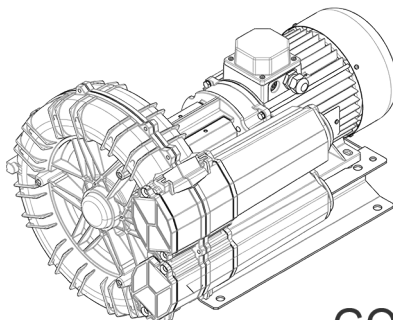
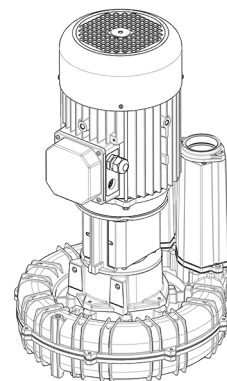


Technical Characteristics
<ul style="list-style-type: none"> - Aluminum alloy construction - Smooth operation - Maintenance free
Electric Motor
<ul style="list-style-type: none"> - Motors with IP 55 protection rating. - Class F(B) insulation
Options
<ul style="list-style-type: none"> - Special voltages (IEC 60038) - Surface treatments - Increased seal version - VFD compatible motor - PTO/PTC thermal protector



GOR



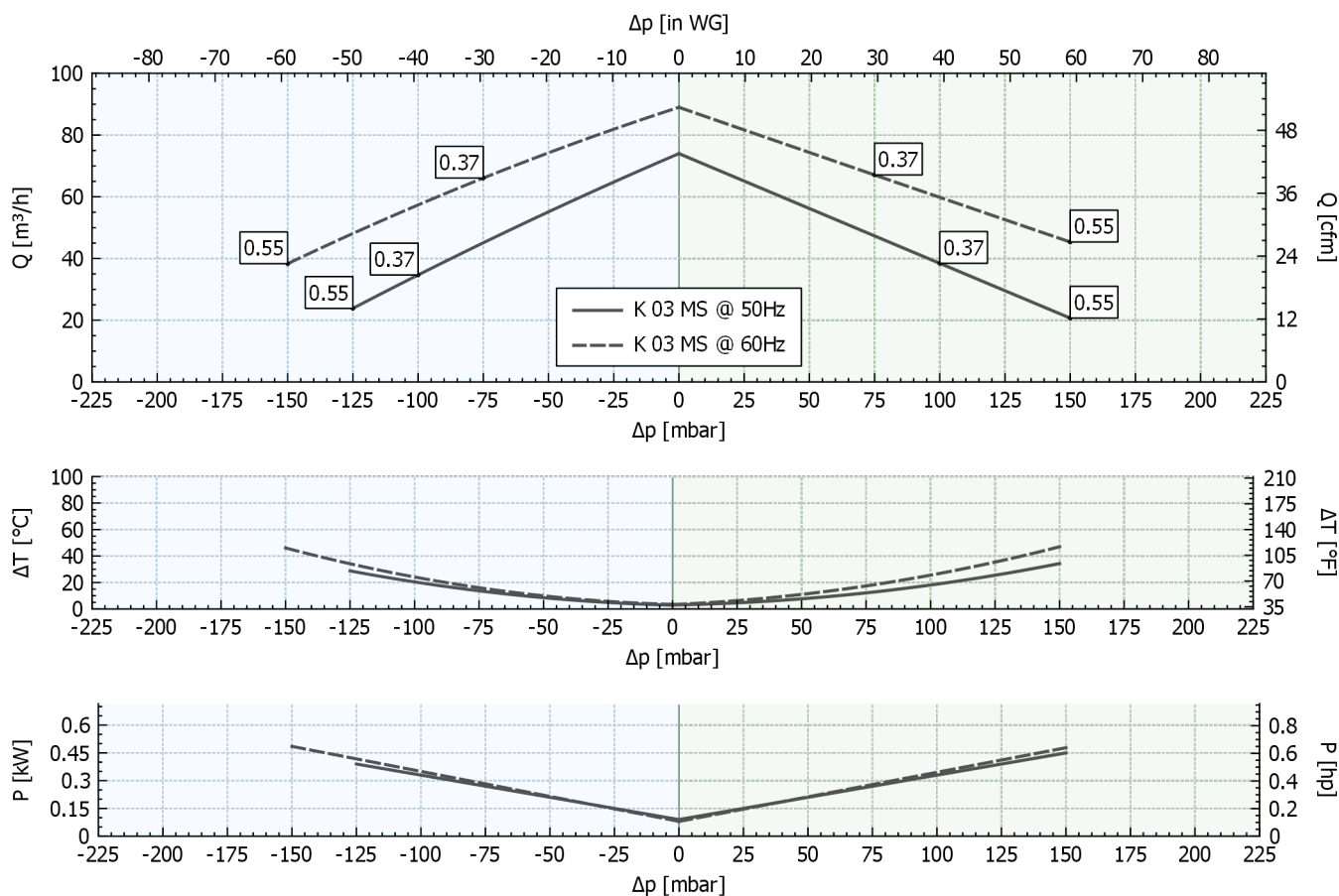
GVR

Performance Table

P _n [kW]	Frequency [Hz]	Δp _{max} [mbar]		Q _{max} [m ³ /h]	Leq ¹ [dB(A)]	Weight [kg] GOR / GVR	H ² [mm]
		Suction	Compression				
0.37	50	100	100	74	58.7	15.0 / 13.0	429
0.37	60	75	75	89	60.7	15.0 / 13.0	429
0.55	50	125	150	74	58.7	16.0 / 14.0	429
0.55	60	150	150	89	60.7	16.0 / 14.0	429

1. Noise level measured at a distance of 1 m with ducted intake and delivery, in accordance with Standard ISO 3744.
 2. See figure "dimensions" at following page.

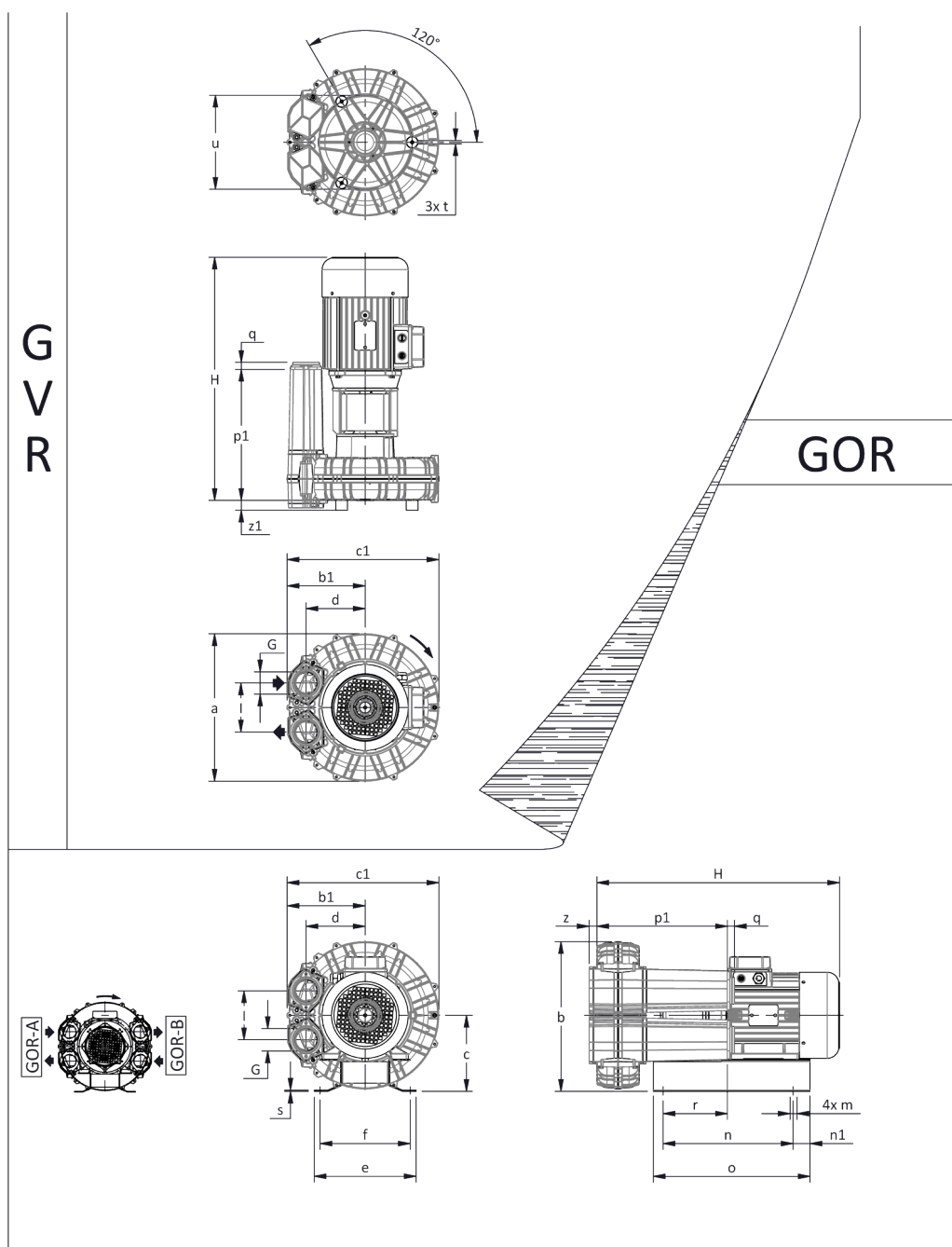
SUCTION | **COMPRESSION**



Tolerance on indicated values ± 10%.
 Data subject to change without notice.
 Curves referring to air at a temperature of 20 °C and atmospheric pressure of 1013 mbar (abs).



Dimensions



Configuration with a vertical silencer is only available with the CK accessory kit; for all assembly options refer to FPZ.
 Dimensions in mm
 NOT Binding

a	b	b1	c	c1	d	d1	e	f	G	l	l1	l2	m				
241	282	139	143	260	104	-	200	170	G 1" 1/4	86	-	-	12				
n	n1	o	o1	p1	p2	q	r	r1	s	s1	t	u	v	w	x	z	z1
235	15	265	-	205	-	18	73	-	3	-	M6	140	-	-	-	12	25

INSTALLATION

- For proper operation of the machine, it must be provided with a suction FILTER and a vacuum/pressure limiting VALVE.
- Other accessories are available on request.
- Permissible ambient and fluid temperature in suction from -15 °C to +40 °C.
- Read the instruction manual carefully before installing the machine.