

Technical Characteristics

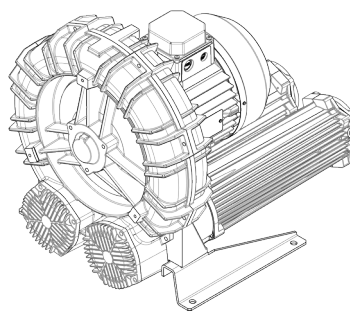
- Aluminum alloy construction
- Smooth operation

Electric Motor

- Motors with IP 55 protection rating.
- Class F(B) insulation
- Thermal Protector (PTO) as standard

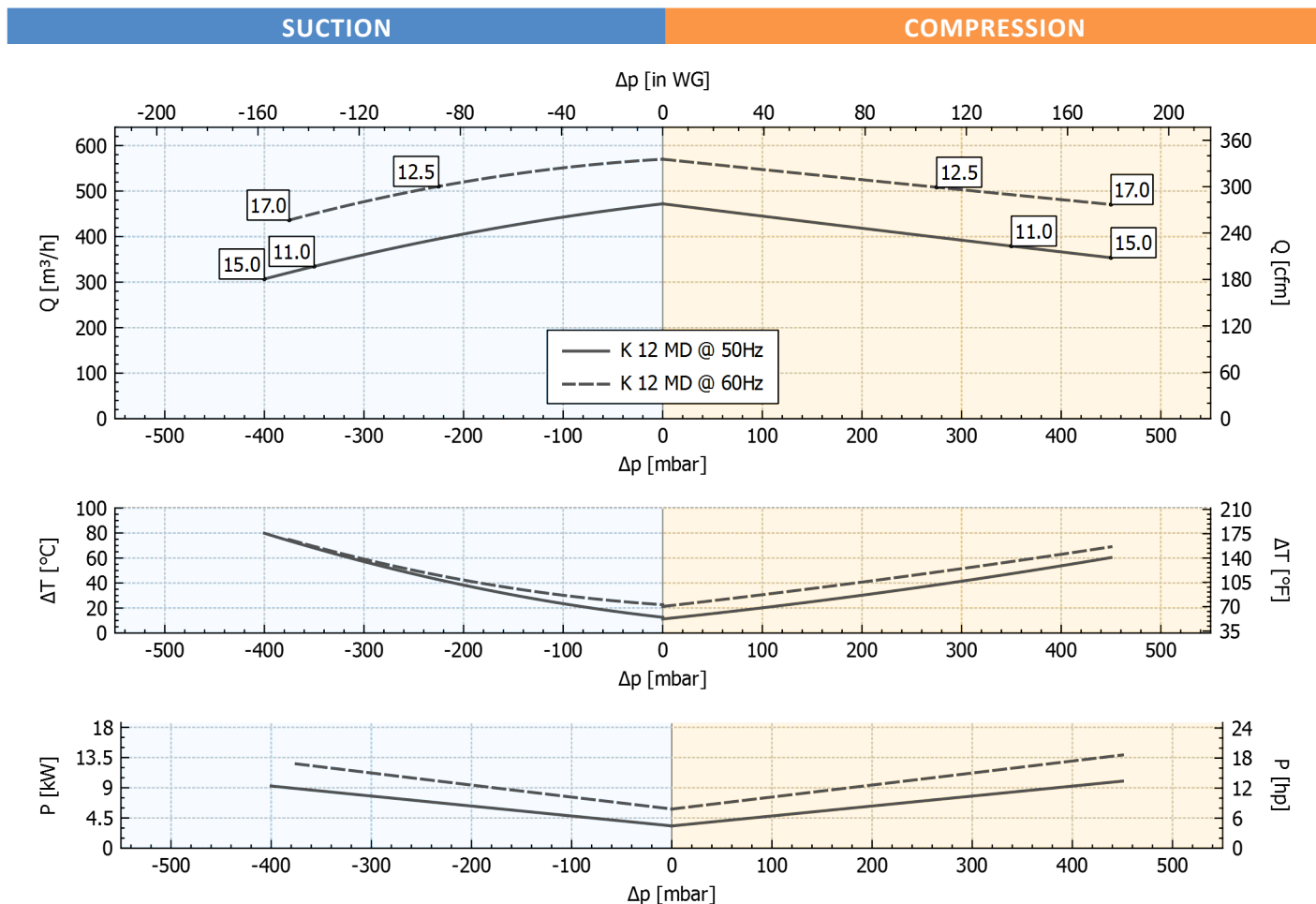
Options

- Special voltages (IEC 60038)
- Surface treatments
- Increased seal version


Performance Table

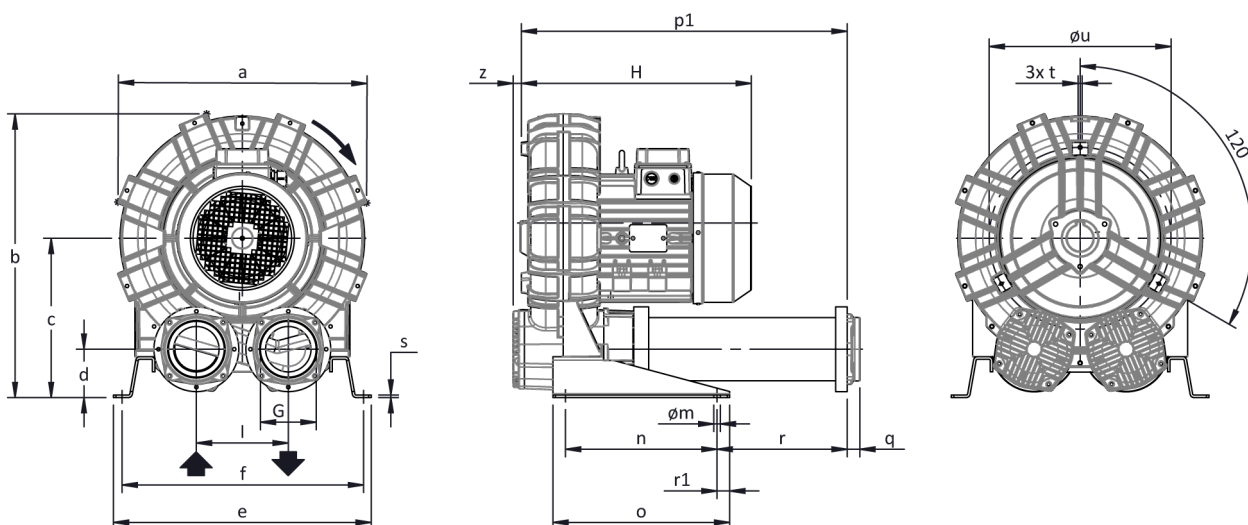
P _n [kW]	Frequency [Hz]	Δp _{max} [mbar]		Q _{max} [m ³ /h]	Leq ¹ [dB(A)]	Weight [kg]	H ² [mm]
		Suction	Compression				
11	50	350	350	472	79.6	139	680
12.5	60	225	275	570	81.9	139	680
15	50	400	450	472	79.6	153	680
17	60	375	450	570	81.9	153	680

1. Noise level measured at a distance of 1 m with ducted intake and delivery, in accordance with Standard ISO 3744.
2. See figure "dimensions" at following page.



Tolerance on indicated values ± 10%.
Data subject to change without notice.
Curves referring to air at a temperature of 20 °C and atmospheric pressure of 1013 mbar (abs).

Dimensions



Dimensions in mm
 NOT Binding

a	b	c	d	d1	e	f	G	l	l1	l2	m	n	o	p1	p2	q	r	r1	s	t	u	v	w	x	y	z
548	606	332	91	-	540	508	G 4"	200	-	-	13	300	350	657	-	25	262	25	5	M8	390	-	-	-	-	13

INSTALLATION

- For proper operation of the machine, it must be provided with a suction FILTER and a vacuum/pressure limiting VALVE.
- Permissible ambient and fluid temperature in suction from -15 °C to +40 °C.
- Read the instruction manual carefully before installing the machine.