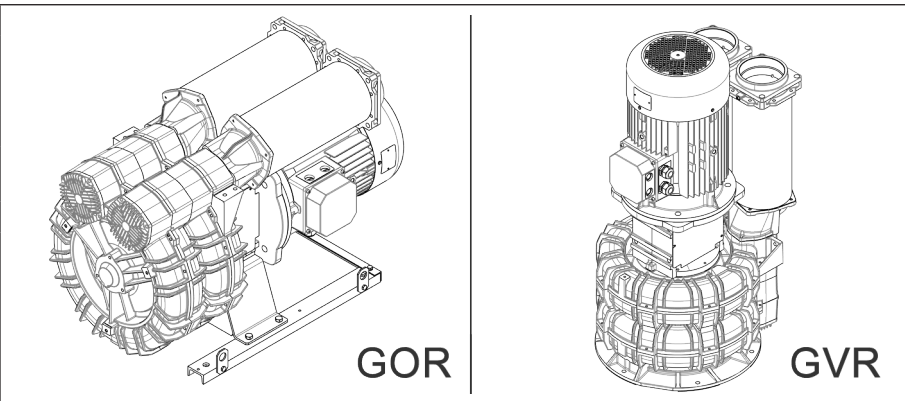


Version:
ATEX II 3GD c T3

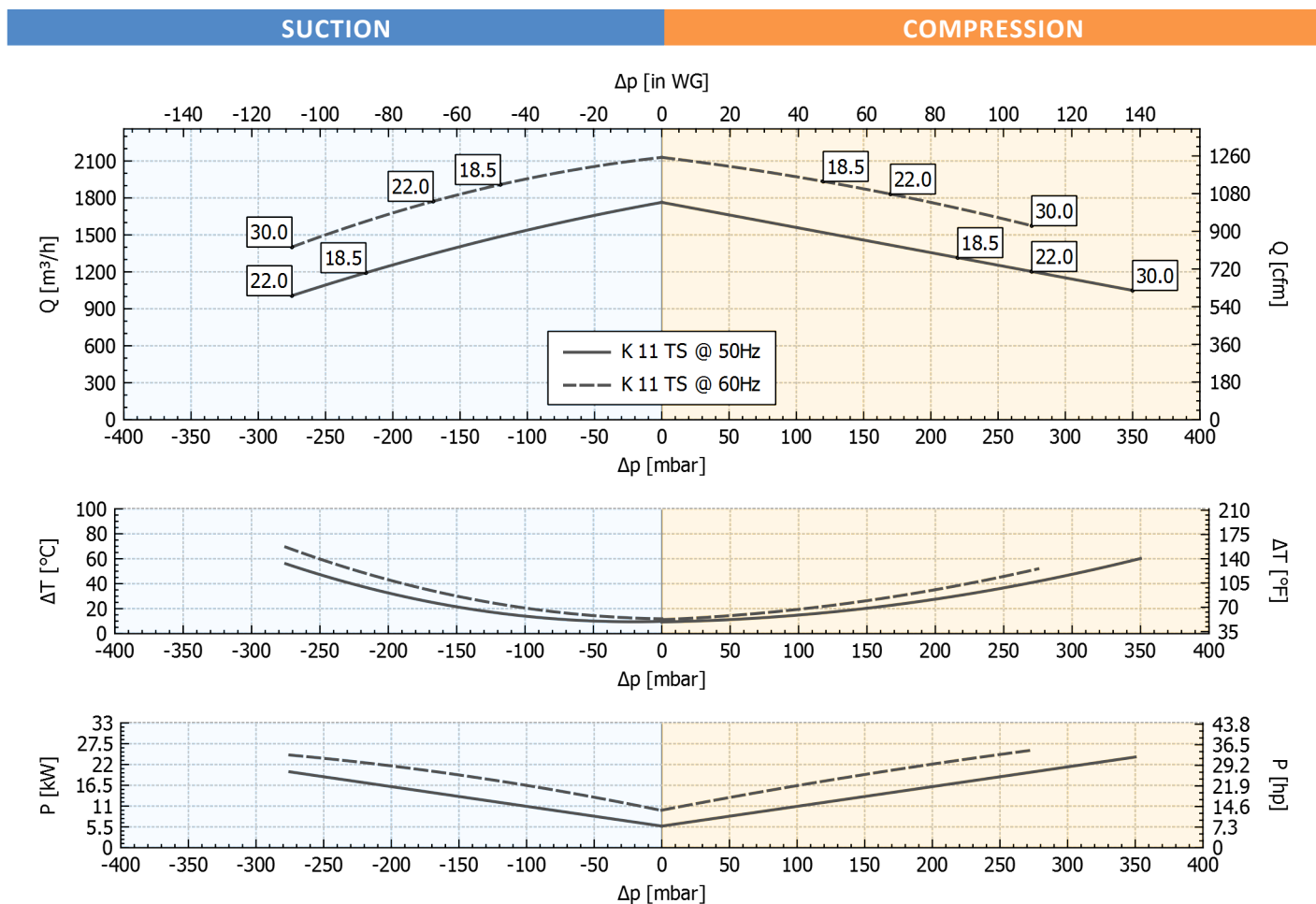
Technical Characteristics
<ul style="list-style-type: none"> - Aluminum alloy construction - Smooth operation - Flexible Coupling ATEX II 2GD c T4
Electric Motor
<ul style="list-style-type: none"> - IP65 motor rating - Class F(B) insulation
Options
<ul style="list-style-type: none"> - Special voltages (IEC 60038) - Surface treatments - Increased seal version - VFD compatible motor - PTO/PTC thermal protector



Performance Table

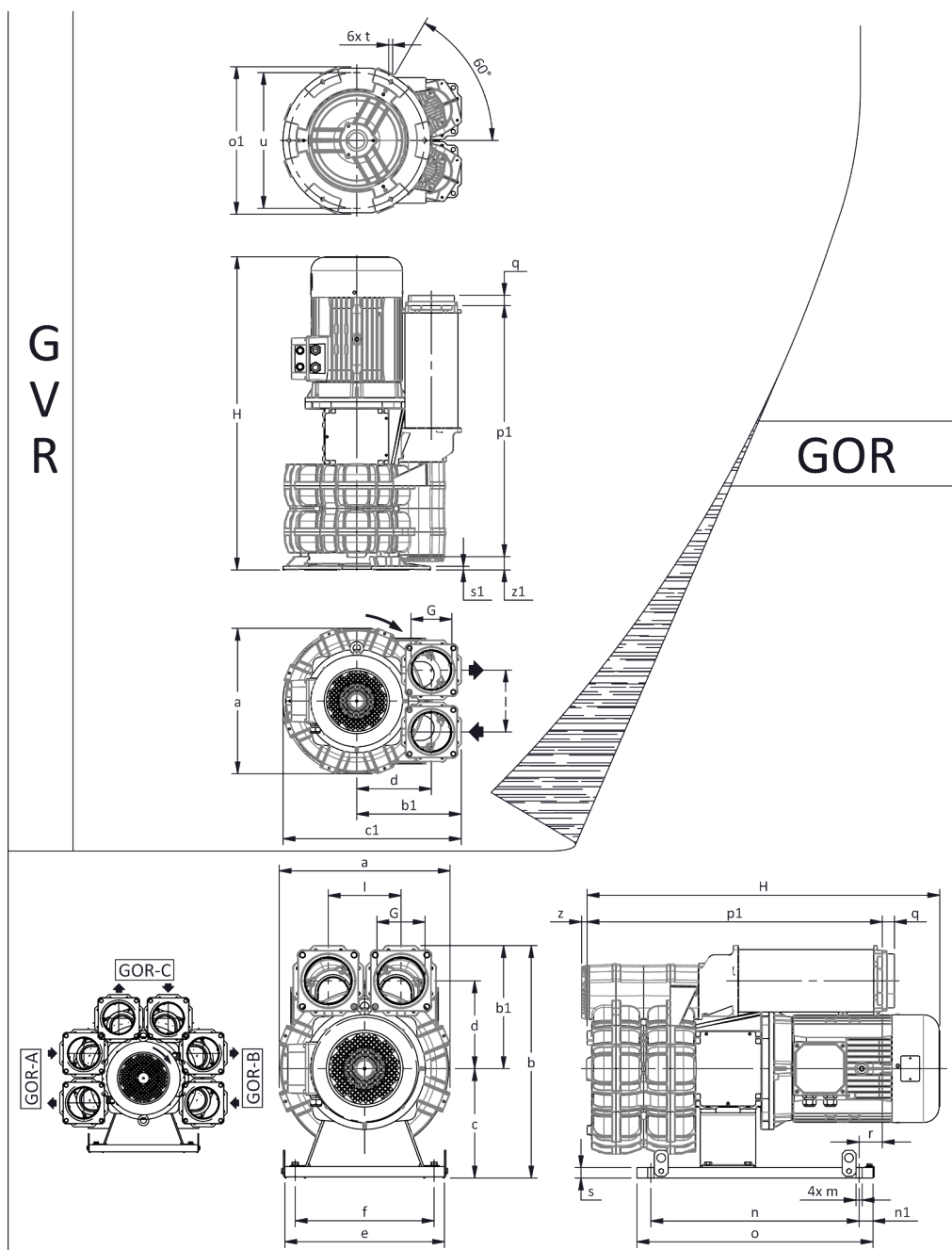
P _n [kW]	Frequency [Hz]	Δp _{max} [mbar]		Q _{max} [m ³ /h]	Leq ¹ [dB(A)]	Weight [kg] GOR / GVR	H ² [mm]
		Suction	Compression				
18.5	50	220	220	1764	87.3	298.0 / 284.0	1073
18.5	60	120	120	2129	90	298.0 / 284.0	1073
22	50	275	275	1764	87.3	325.0 / 311.0	1114
22	60	170	170	2129	90	325.0 / 311.0	1114
30	50	-	350	1764	87.3	386.0 / 372.0	1219
30	60	275	275	2129	90	386.0 / 372.0	1219

1. Noise level measured at a distance of 1 m with ducted intake and delivery, in accordance with Standard ISO 3744.
 2. See figure "dimensions" at following page.



Tolerance on indicated values ± 10%.
 Data subject to change without notice.
 Curves referring to air at a temperature of 20 °C and atmospheric pressure of 1013 mbar (abs).

Dimensions



Dimensions in mm
 NOT Binding

a	b	b1	c	c1	d	d1	e	f	G	l	l1	l2	m				
542	720	405	315	676	305	-	460	400	G 5"	252	-	-	18				
n	n1	o	o1	p1	p2	q	r	r1	s	s1	t	u	v	w	x	z	z1
600	40	680	500	878	-	35	80	-	30	12	13	460	-	-	-	16	45

INSTALLATION

- For proper operation of the machine, it must be provided with a suction FILTER and a vacuum/pressure limiting VALVE.
- Permissible ambient and fluid temperature in suction from -15 °C to +40 °C.
- Read the instruction manual carefully before installing the machine.