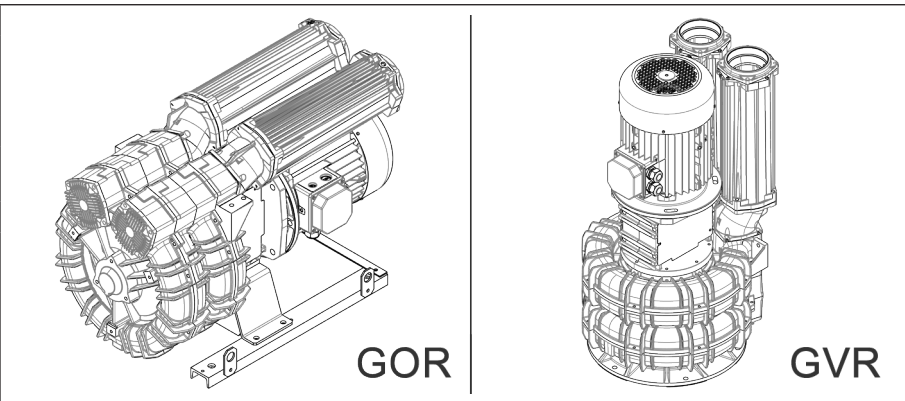


Version:
ATEX II 3GD c T3

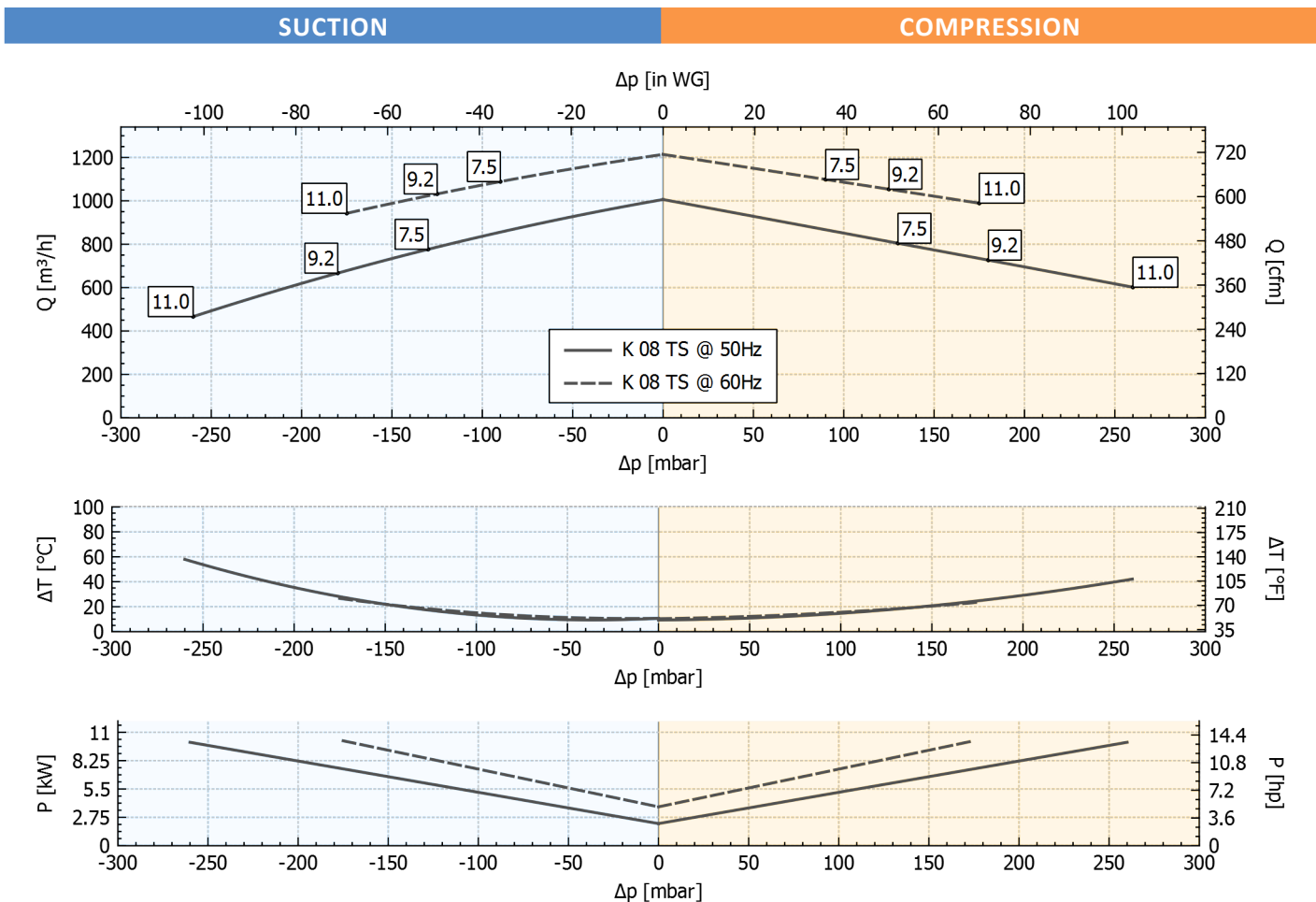
Technical Characteristics
<ul style="list-style-type: none"> - Aluminum alloy construction - Smooth operation - Flexible Coupling ATEX II 2GD c T4
Electric Motor
<ul style="list-style-type: none"> - IP65 motor rating - Class F(B) insulation
Options
<ul style="list-style-type: none"> - Special voltages (IEC 60038) - Surface treatments - Increased seal version - VFD compatible motor - PTO/PTC thermal protector



Performance Table

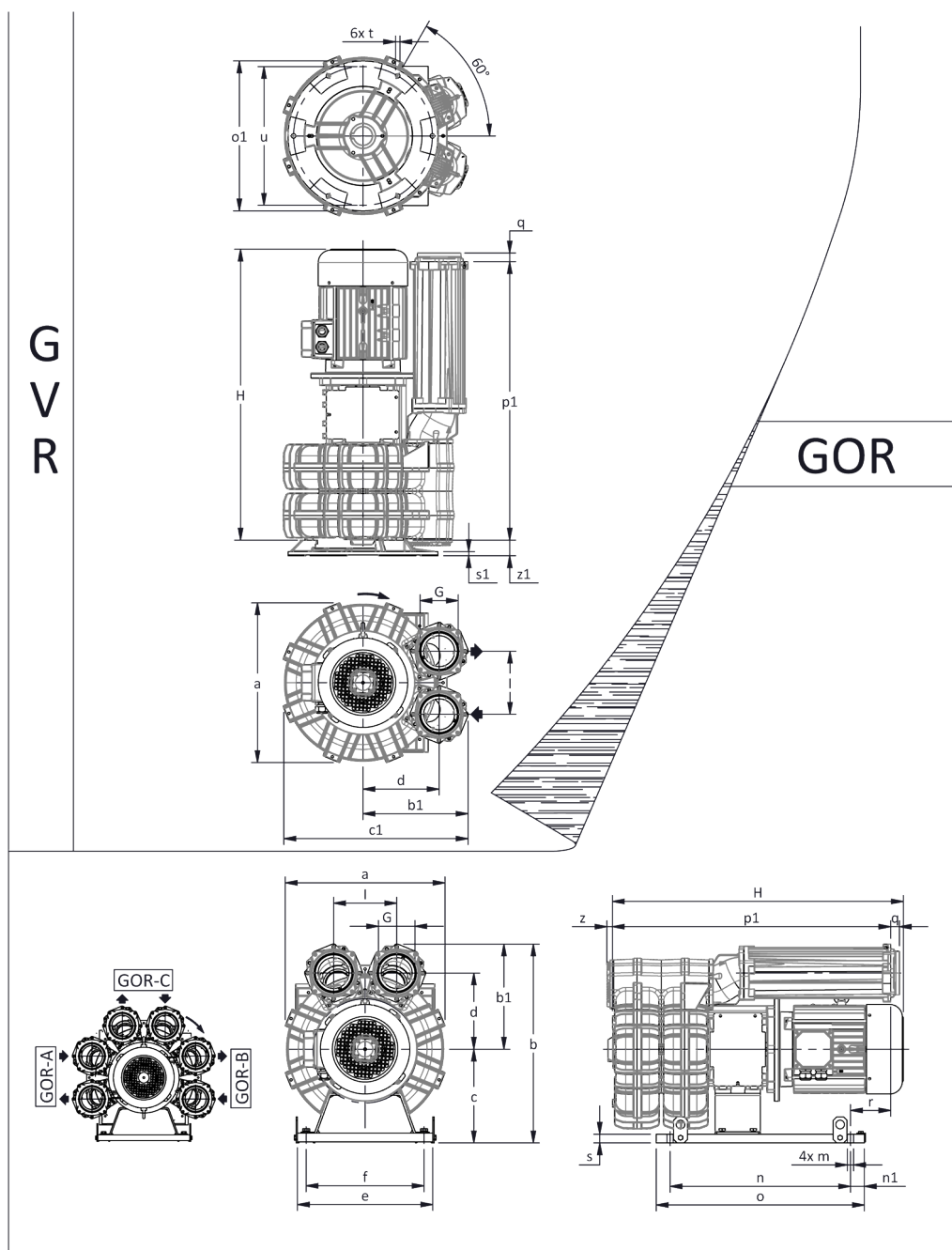
P _n [kW]	Frequency [Hz]	Δp _{max} [mbar]		Q _{max} [m³/h]	Leq ¹ [dB(A)]	Weight [kg] GOR / GVR	H ² [mm]
		Suction	Compression				
7.5	50	130	130	1006	78.9	137.5 / 128.5	839
7.5	60	90	90	1214	80.9	137.5 / 128.5	839
9.2	50	180	180	1006	78.9	143.5 / 134.5	877
9.2	60	125	125	1214	80.9	143.5 / 134.5	877
11	50	260	260	1006	78.9	147.5 / 138.5	877
11	60	175	175	1214	80.9	147.5 / 138.5	877

1. Noise level measured at a distance of 1 m with ducted intake and delivery, in accordance with Standard ISO 3744.
 2. See figure "dimensions" at following page.



Tolerance on indicated values ± 10%.
 Data subject to change without notice.
 Curves referring to air at a temperature of 20 °C and atmospheric pressure of 1013 mbar (abs).

Dimensions



Dimensions in mm
NOT Binding

a	b	b1	c	c1	d	d1	e	f	G	l	l1	l2	m				
457	574	304	270	533	220	-	390	340	G 4"	182	-	-	18				
n	n1	o	o1	p1	p2	q	r	r1	s	s1	t	u	v	w	x	z	z1
520	40	600	430	802	-	25	128	-	25	12	13	400	-	-	-	16	45

INSTALLATION

- For proper operation of the machine, it must be provided with a suction FILTER and a vacuum/pressure limiting VALVE.
- Permissible ambient and fluid temperature in suction from -15 °C to +40 °C.
- Read the instruction manual carefully before installing the machine.