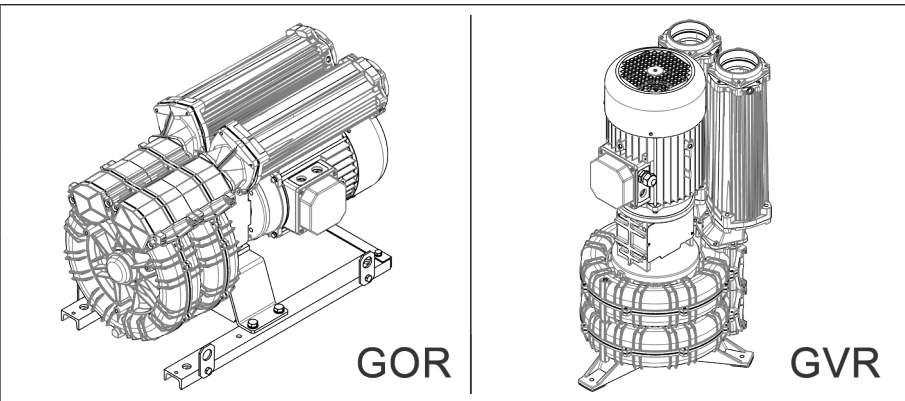


Version:  
ATEX II 3GD c T3

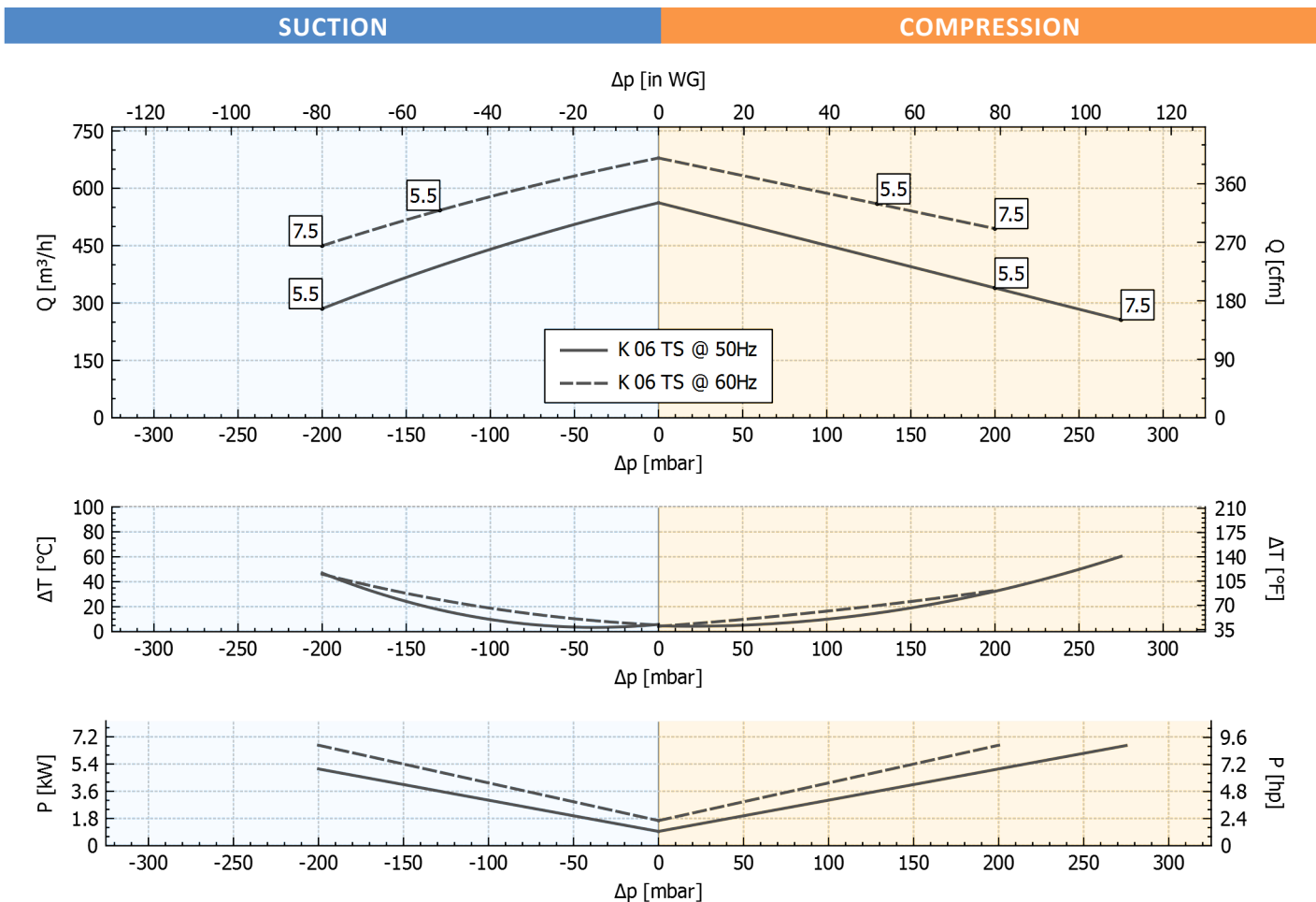
Technical Characteristics
<ul style="list-style-type: none"> <li>Aluminum alloy construction</li> <li>Smooth operation</li> <li>Flexible Coupling ATEX II 2GD c T4</li> </ul>
Electric Motor
<ul style="list-style-type: none"> <li>IP65 motor rating</li> <li>Class F(B) insulation</li> </ul>
Options
<ul style="list-style-type: none"> <li>Special voltages (IEC 60038)</li> <li>Surface treatments</li> <li>Increased seal version</li> <li>VFD compatible motor</li> <li>PTO/PTC thermal protector</li> </ul>



### Performance Table

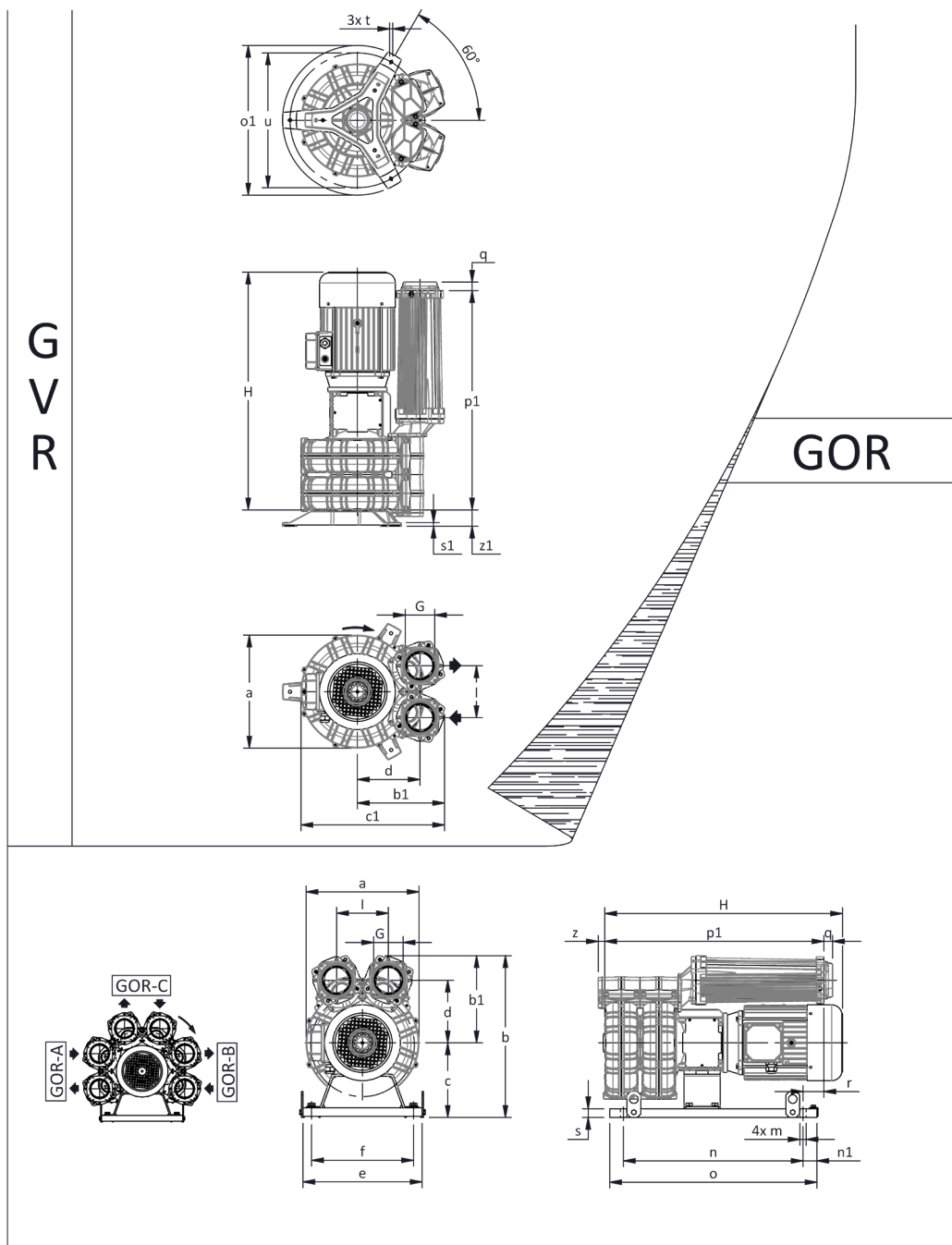
P <sub>n</sub> [kW]	Frequency [Hz]	Δp <sub>max</sub> [mbar]		Q <sub>max</sub> [m³/h]	Leq <sup>1</sup> [dB(A)]	Weight [kg] GOR / GVR	H <sup>2</sup> [mm]
		Suction	Compression				
5.5	50	200	200	562	74.8	83.5 / 74.5	715
5.5	60	130	130	679	76.8	83.5 / 74.5	715
7.5	50	-	275	562	74.8	100.0 / 91.0	771
7.5	60	200	200	679	76.8	100.0 / 91.0	771

1. Noise level measured at a distance of 1 m with ducted intake and delivery, in accordance with Standard ISO 3744.  
 2. See figure "dimensions" at following page.



Tolerance on indicated values ± 10%.  
 Data subject to change without notice.  
 Curves referring to air at a temperature of 20 °C and atmospheric pressure of 1013 mbar (abs).

## Dimensions



Dimensions in mm  
NOT Binding

a	b	b1	c	c1	d	d1	e	f	G	l	l1	l2	m				
376	475	259	216	447	187	-	345	295	G 3"	155	-	-	18				
n	n1	o	o1	p1	p2	q	r	r1	s	s1	t	u	v	w	x	z	z1
520	40	600	433	662	-	25	21	-	25	10	9	390	-	-	-	19	47

## INSTALLATION

- For proper operation of the machine, it must be provided with a suction FILTER and a vacuum/pressure limiting VALVE.
- Permissible ambient and fluid temperature in suction from -15 °C to +40 °C.
- Read the instruction manual carefully before installing the machine.