

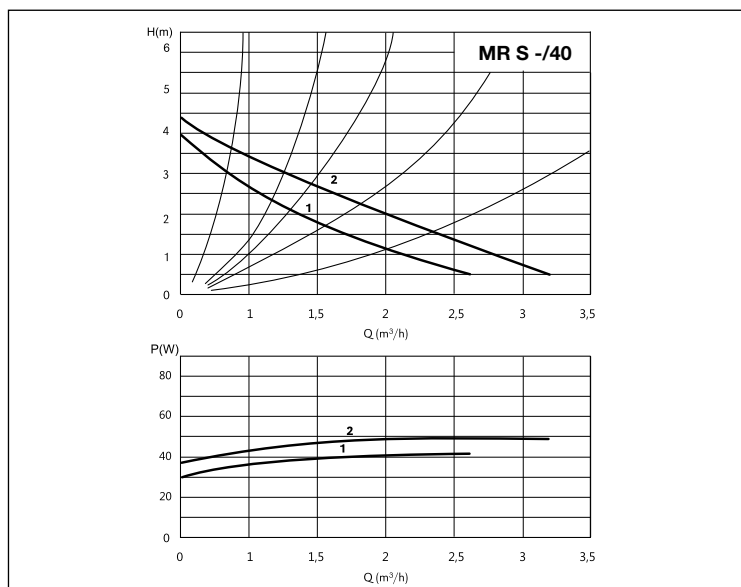
MR S -/40

CIRCULATING PUMPS FOR SOLAR SYSTEMS

Threaded



PERFORMANCE CURVES (according to ISO 9906 Attachment A)



APPLICATIONS

Circulating pump for solar heating systems

TECHNICAL DATA

- Fixed speed (2 selectable speed levels)
- Supply Voltage 1~230V - 50Hz
- Insulation class: H
- Protection rating: IP44
- Maximum operating pressure: 10 bar
- Maximum ambient temperature: 40°C
- Liquid temperature range: -10°C to +110°C (140°C peaks accepted for max 5 minutes)

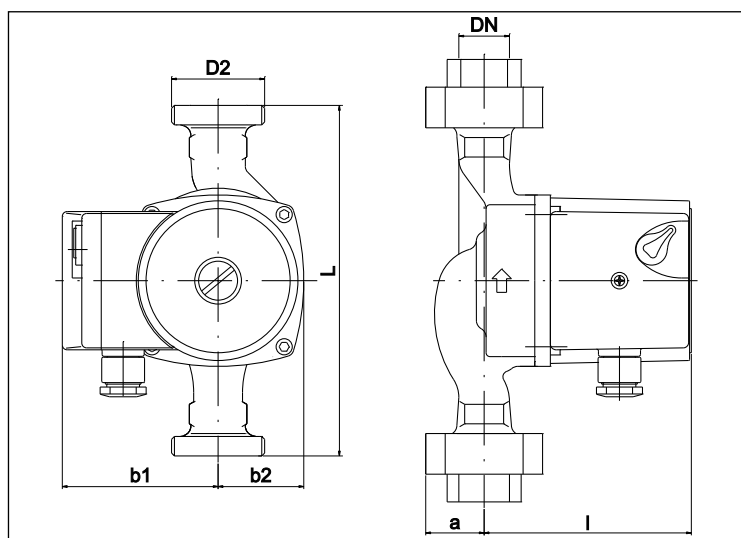
MATERIALS

- Pump casing in cast iron
- Runner in polyamide/PES
- Shaft in stainless steel
- Radial bearing in graphite
- Separator tube and plate in stainless steel AISI 316

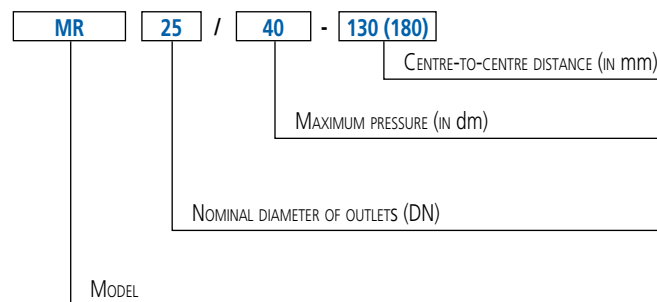
PERMITTED LIQUIDS

- Liquids that are clear, clean, non-aggressive and non-explosive, with no solid particles or fibres; mixture of water and glycol (% depending on fluid temperature)

DIMENSIONS



IDENTIFICATION CODE



DIMENSIONAL TABLE

Model	L	DN	b1	b2	l	a	D2
MR S 15/40-130	130	15	80	44	108	27	1"
MR S 25/40-130	130	25	80	44	108	32	1 1/2"
MR S 25/40-180	180	25	80	44	108	32	1 1/2"

TECHNICAL FEATURES

Model	Centre-to-centre distance [mm]	DN	Pump connection	Pipeline connection	Fluid temperature (min - max °C)	PN [bar]	P1 max [W]	In max 1~230V [A]	Minimum suction pressure [bar]			Weight [kg]
									50°C	80°C	110°C	
MR S 15/40-130	130	DN15	G 1"	Rp 1/2"	-10 +110	10	75	0,33	0,05	0,4	1,1	2,2
MR S 25/40-130	130	DN25	G 1 1/2"	Rp 1"	-10 +110	10	75	0,33	0,05	0,4	1,1	2,4
MR S 25/40-180	180	DN25	G 1 1/2"	Rp 1"	-10 +110	10	75	0,33	0,05	0,4	1,1	2,7

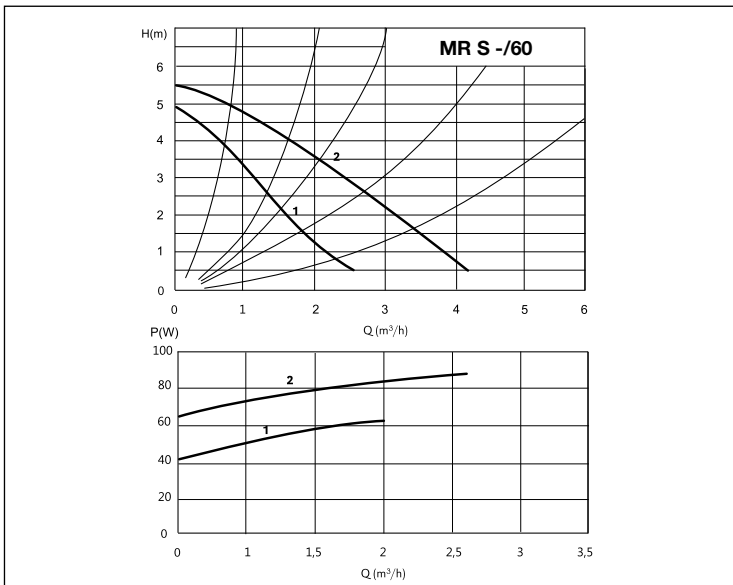
MR S -/60

CIRCULATING PUMPS FOR SOLAR SYSTEMS

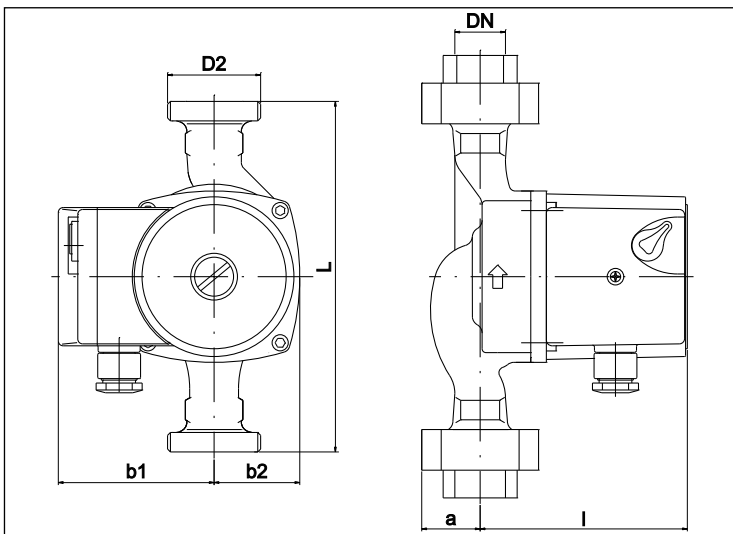
Threaded



PERFORMANCE CURVES (according to ISO 9906 Attachment A)



DIMENSIONS



TECHNICAL FEATURES

Model	Centre-to-centre distance [mm]	DN	Pump connection	Pipeline connection	Fluid temperature (min - max °C)	PN [bar]	P1 max [W]	In max 1~230V [A]	Minimum suction pressure [bar]			Weight [kg]
									50°C	80°C	110°C	
MR S 15/60-130	130	DN15	G 1"	Rp ½"	-10 +110	10	90	0,39	0,05	0,4	1,1	2,2
MR S 25/60-130	130	DN25	G 1" ½	Rp 1"	-10 +110	10	90	0,39	0,05	0,4	1,1	2,4
MR S 25/60-180	180	DN25	G 1" ½	Rp 1"	-10 +110	10	90	0,39	0,05	0,4	1,1	2,7

APPLICATIONS

Circulating pump for solar heating systems

TECHNICAL DATA

- Fixed speed (2 selectable speed levels)
- Supply Voltage 1~230V - 50Hz
- Insulation class: H
- Protection rating: IP44
- Maximum operating pressure: 10 bar
- Maximum ambient temperature: 40°C
- Liquid temperature range: -10°C to +110°C (140°C peaks accepted for max 5 minutes)

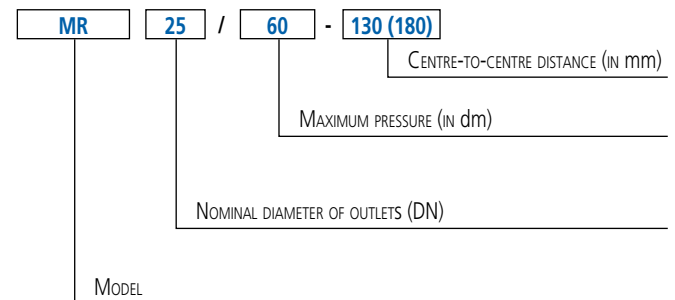
MATERIALS

- Pump casing in cast iron
- Runner in polyamide/PES
- Shaft in stainless steel
- Radial bearing in graphite
- Separator tube and plate in stainless steel AISI 316

PERMITTED LIQUIDS

- Liquids that are clear, clean, non-aggressive and non-explosive, with no solid particles or fibres; mixture of water and glycol (% depending on fluid temperature)

IDENTIFICATION CODE



DIMENSIONAL TABLE

Model	L	DN	b1	b2	l	a	D2
MR S 15/60-130	130	15	80	44	108	27	1"
MR S 25/60-130	130	25	80	44	108	32	1" ½
MR S 25/60-180	180	25	80	44	108	32	1" ½

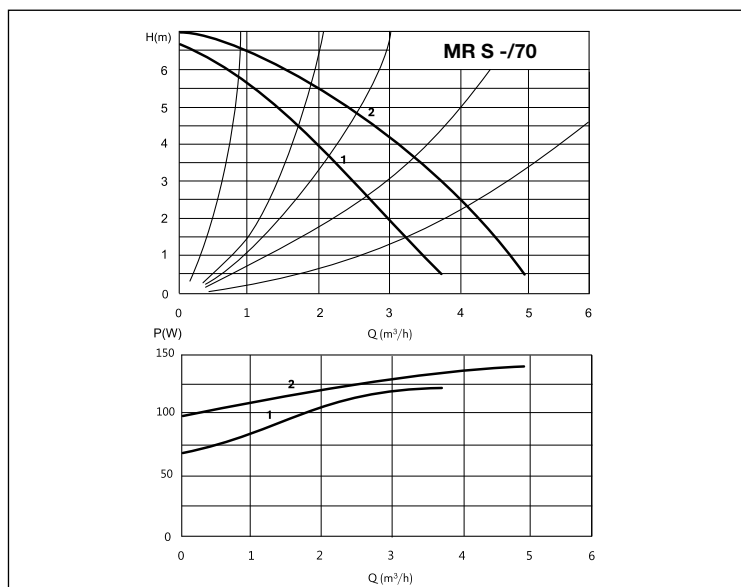
MR S -/70

CIRCULATING PUMPS FOR SOLAR SYSTEMS

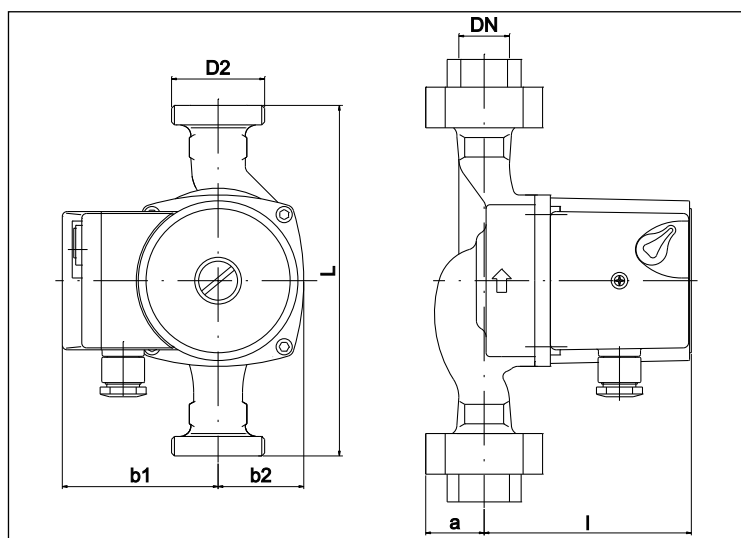
Threaded



PERFORMANCE CURVES (according to ISO 9906 Attachment A)



DIMENSIONS



TECHNICAL FEATURES

Model	Centre-to-centre distance [mm]	DN	Pump connection	Pipeline connection	Fluid temperature (min - max °C)	PN [bar]	P1 max [W]	In max 1~230V [A]	Minimum suction pressure [bar]			Weight [kg]
									50°C	80°C	110°C	
MR S 15/70-130	130	DN15	G 1"	Rp ½"	-10 +110	10	140	0,61	0,05	0,4	1,1	2,2
MR S 25/70-130	130	DN25	G 1" ½	Rp 1"	-10 +110	10	140	0,61	0,05	0,4	1,1	2,4
MR S 25/70-180	180	DN25	G 1" ½	Rp 1"	-10 +110	10	140	0,61	0,05	0,4	1,1	2,8

APPLICATIONS

Circulating pump for solar heating systems

TECHNICAL DATA

- Fixed speed (2 selectable speed levels)
- Supply Voltage 1~230V - 50Hz
- Insulation class: H
- Protection rating: IP44
- Maximum operating pressure: 10 bar
- Maximum ambient temperature: 40°C
- Liquid temperature range: -10°C to +110°C (140°C peaks accepted for max 5 minutes)

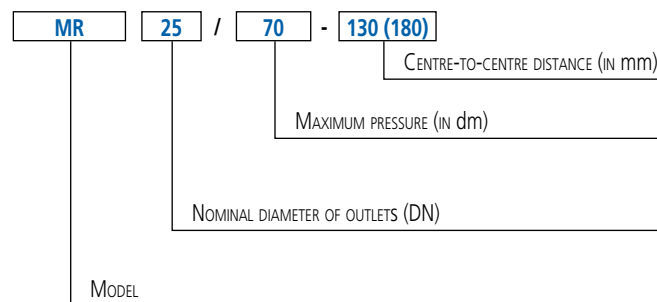
MATERIALS

- Pump casing in cast iron
- Runner in polyamide/PES
- Shaft in stainless steel
- Radial bearing in graphite
- Separator tube and plate in stainless steel AISI 316

PERMITTED LIQUIDS

- Liquids that are clear, clean, non-aggressive and non-explosive, with no solid particles or fibres; mixture of water and glycol (% depending on fluid temperature)

IDENTIFICATION CODE



DIMENSIONAL TABLE

Model	L	DN	b1	b2	l	a	D2
MR S 15/70-130	130	15	80	44	108	27	1"
MR S 25/70-130	130	25	80	44	108	32	1" ½
MR S 25/70-180	180	25	80	44	108	32	1" ½

