



JESX - JEX

SELF-PRIMING ELECTRIC PUMPS

in AISI 304



Self-priming electric pumps in AISI 304 stainless steel

APPLICATIONS

- Supply of drinking water
- Domestic pressure boosting
- Small-scale garden irrigation
- Emptying reservoirs and swimming pools
- Moving clean water in general

TECHNICAL DETAILS

- Practical
- Easy to transport
- Light

PUMP TECHNICAL DATA

- Maximum working pressure: 6 bar
- Maximum temperature of the liquid: 45°C
- Maximum suction depth: 8 m
- G1 suction connection for JESX, G1¼ for JEX
- G1 discharge connection

MOTOR TECHNICAL DATA

- High efficiency IE2 motors starting from 0,75kW
- Self-ventilated 2 poles asynchronous motor
- Class of insulation F
- Protection degree IP54 (on request IP55)
- 230V ±10%, 50Hz single phase voltage, 230/400V ±10%, 50Hz three phase voltage
- Permanent capacitor inserted and thermo-amperometric protection with automatic rearm incorporated for the single phase motor
- Protection under user's responsibility for the three phase version

MATERIALS

- Pump casing and seal housing disc in AISI 304
- AISI 303 shaft (part in contact with the liquid)
- Impeller in AISI 304 for JEX, in PPE reinforced with fibreglass for JESX
- Mechanical seal in Carbon/Ceramic/NBR
- Bracket and motor casing in aluminium

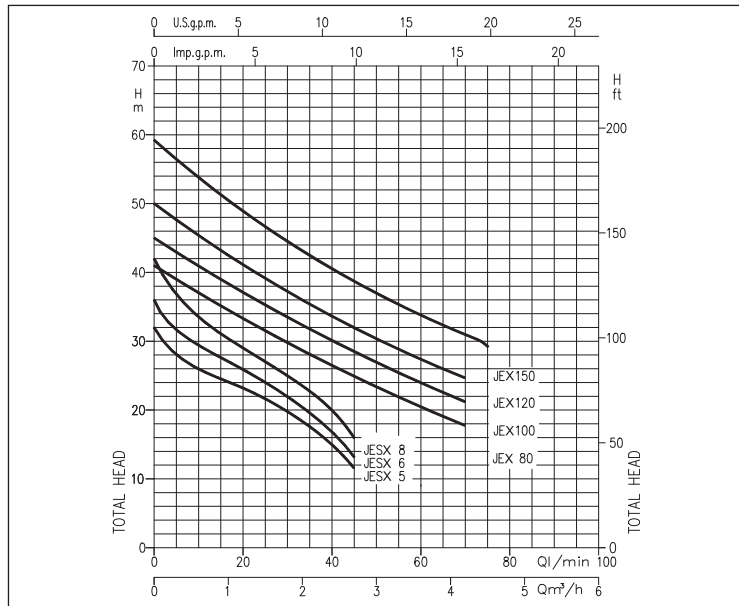
CONTROL PANELS

- 1EPBH

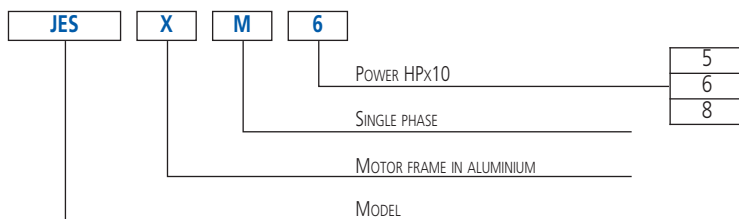
ACCESSORIES (on request)

- 5 litre 10 bar ¾ EPDM vessel
- 24 litre 8 bar 1" EPDM vessel
- 24 litre 10 bar 1" EPDM vessel
- PVC 5m key float with counter-weight
- PVC 10m key float with counter-weight
- SQUARE-D FSG-2 1.4÷4.6 bar G¼ F pressure switch
- FYG-22 2.8÷7 bar G¼ F pressure switch
- Presscomfort - Pressure regulator
- Press•o•Matic - Variable speed control system (230V±10% single phase - power supply three phase 220V output - maximum motor power 2.2 kW - 3 HP)

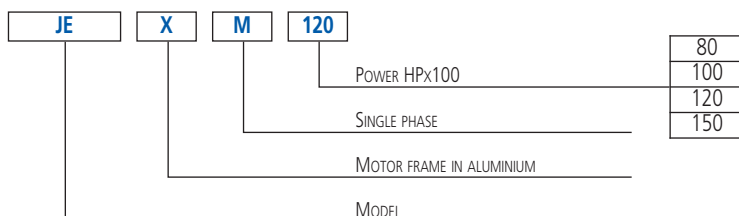
PERFORMANCE CURVES (according to ISO 9906 Attachment A)



JESX IDENTIFICATION CODE



JEX IDENTIFICATION CODE



SELF-PRIMING ELECTRIC PUMPS

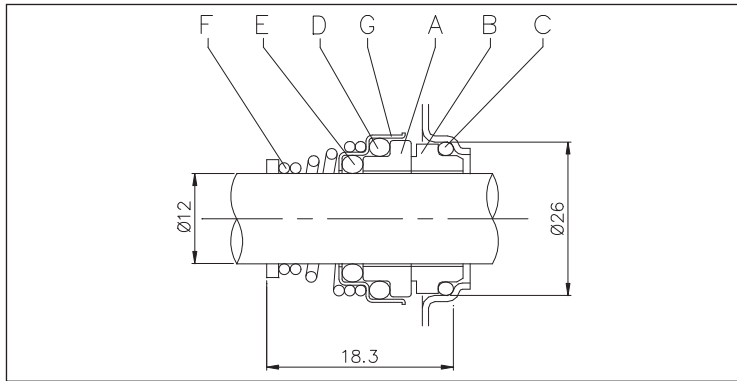
in AISI 304

MATERIALS TABLE

Ref.	Name	Material	Ref.	Name	Material
1	Pump body	AISI 304	22	Tie-rod	Galvanised Fe 42
3	Motor support	Aluminium	23	Capacitor [2]	-
4	Seal housing disc	AISI 304	24	Filler cap	PA
6	Rotor shaft	AISI 303 (part in contact with the liquid)	25	Drain plug	PA
7	Impeller	PPE+PS reinforced with fibreglass	26	O-Ring	NBR
9	Venturi Unit + nozzle	PPE+PS reinforced with fibreglass	28	O-Ring	NBR
11	Mechanical seal	Carbon/Ceramic/NBR	30	Mechanical seal spacer	Brass
12	Motor case	-	34	Impeller nut [1]	AISI 304
13	Motor cover	Aluminium	42	Foot	Aluminium
14	Fan	PA	52	Capacitor-holder box [2]	ABS
15	Fan cover	Galvanised Fe P04	53	Terminal box cover with gasket	ABS+NBR
16	Terminal box	-	56	Terminal box cover gasket	NBR
17	Terminal box cover [1]	Aluminium	77	O-Ring	NBR
18	Spray protector washer	NBR	78	O-Ring	NBR
19	Bearing (pump side)	-	92	Sealing ring [3]	-
20	Bearing (motor side)	-	93	Sealing ring [3]	-
21	Adjusting ring	Steel C70	200	Screw (Pump body)	A2 UNI7323 stainless steel

[1]= Solo per Three phase
 [2]= For single phase only
 [3]= For IP 55 only

JESX MECHANICAL SEAL



MATERIALS TABLE

Ref.	Name	Material
A	Rotating part	Ceramic
B	Fixed part	Carbon
C	O-Ring	NBR
D	O-Ring	NBR
E	O-Ring	NBR
F	Spring	AISI 316
G	Structure/frame	AISI 304

JESX ELECTRIC DATA TABLE

Model		P ₂		Capacitor		P ₁		Absorbed Current		
Single phase 230V	Three phase 230/400V	[HP]	[kW]	Single phase µF	V _c	Single phase [kW]	Three phase [kW]	Single phase 230V	Three phase 230V 400V	
JESXM 5	JESX 5	0,5	0,37	10	450	0,44	0,43	2,1	1,5	0,85
JESXM 6	JESX 6	0,6	0,44	10	450	0,54	0,49	2,4	1,9	1,1
JESXM 8	JESX 8	0,8	0,6	12,5	450	0,63	0,58	3,0	2,25	1,3

JESX NOISE DATA TABLE

Model		P ₂		L _{pA} - dB(A)*
Single phase 230V	Three phase 230/400V	[HP]	[kW]	
JESXM 5	JESX 5	0,5	0,37	<70
JESXM 6	JESX 6	0,6	0,44	<70
JESXM 8	JESX 8	0,8	0,6	<70

* Mean value of several measures at 1m distance around the pump.
 Tolerance ± 2,5 dB.

JESX - JEX

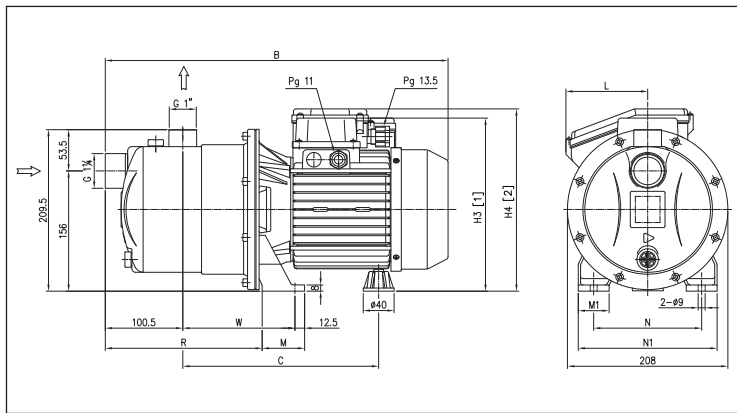
SELF-PRIMING ELECTRIC PUMPS

in AISI 304

JEX PERFORMANCE TABLE

Model Single phase 230V	Model Three phase 230/400V	P ₂		l/min m ³ /h	Q=Flow rate					
		[HP]	[kW]		20	30	40	50	60	70
JEXM 80	JEX 80	0,8	0,6	33,0	29,0	26,5	23,5	20,5	18,0	-
JEXM 100	JEX 100	1	0,75	37,0	33,5	30,0	27,0	24,0	21,0	-
JEXM 120	JEX 120	1,2	0,88	41,0	37,0	34,0	30,5	27,5	24,5	-
JEXM 150	JEX 150	1,5	1,1	49,0	44,5	40,5	37,0	34,0	31,0	29,5

JEX DIMENSIONS

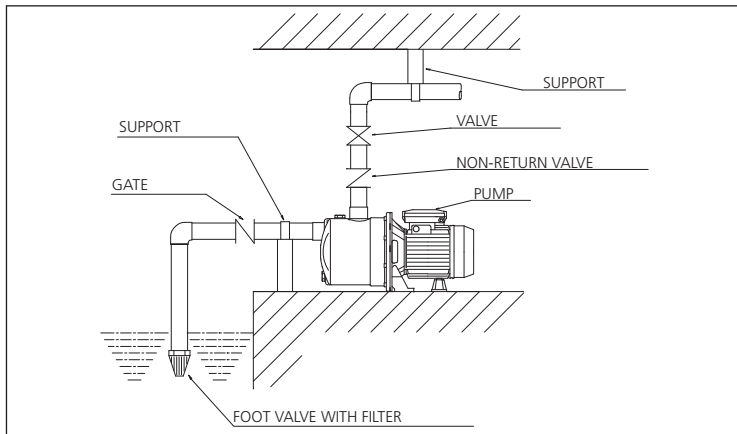


DIMENSIONS TABLE

Model	Dimensions [mm]											Weight [kg]		
	B	C	H3 [1]	H4 [2]	L [2]	M	M1	N	N1	R	T [2]	W	[2]	[1]
JEX(M) 80	419	232,5	207,5	216	84	50	38	120	160	206,5	PG11	143,5	10,2	10,2
JEX(M) 100	419	232,5	207,5	216	84	50	38	120	160	206,5	PG11	143,5	11,6	11,6
JEX(M) 120	419	232,5	207,5	216	84	50	38	120	160	206,5	PG11	143,5	11,6	11,6
JEX(M) 150	444,5	254	224,5	236,5	106	55	40	140	180	203,5	PG13,5	145,5	14,3	15,3

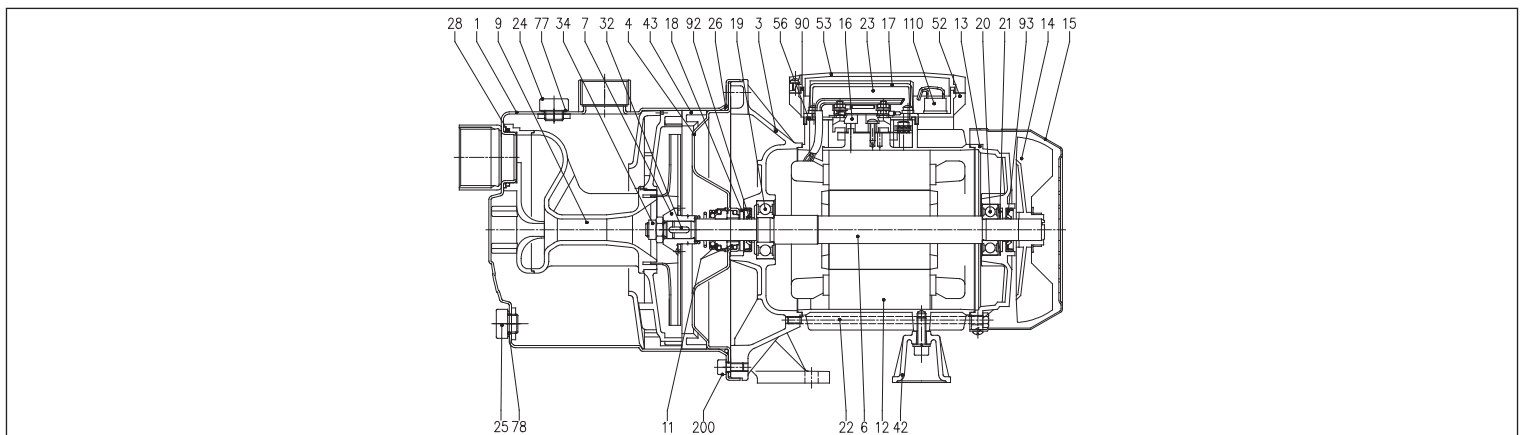
[1]= Three phase only
[2]= Single phase only

INSTALLATION



For correct installation of the system, it is recommended to fit a foot valve on the suction and support/anchorage for the piping.

JEX SECTIONAL VIEW



SELF-PRIMING ELECTRIC PUMPS

in AISI 304

MATERIALS TABLE

Ref.	Name	Material	Ref.	Name	Material
1	Pump body	AISI 304	24	Filler cap	PA
3	Motor support	Aluminium	25	Drain plug	PA
4	Seal housing disc	AISI 304	26	O-Ring	NBR
6	Rotor shaft	AISI 303 (part in contact with the liquid)	28	O-Ring	NBR
7	Impeller	AISI 304	32	Key	AISI 304
9	Venturi Unit + nozzle	PPE+PS reinforced with fibreglass	34	Impeller nut	AISI 304
11	Mechanical seal	Carbon/Ceramic/NBR	42	Foot	Aluminium
12	Motor case	-	43	Nozzle spacer	PPE+PS reinforced with fibreglass
13	Motor cover	Aluminium	52	Capacitor-holder box [2]	ABS
14	Fan	PA	53	Capacitor-holder box cover [4]	ABS
15	Fan cover	Galvanised Fe P04	56	Terminal box cover gasket	NBR
16	Terminal box	-	77	O-Ring	NBR
17	Terminal box cover [1]	Aluminium	78	O-Ring	NBR
18	Spray protector washer	NBR	90	Cover gasket [5]	NBR
19	Bearing (pump side)	-	92	Sealing ring [3]	-
20	Bearing (motor side)	-	93	Sealing ring [3]	-
21	Adjusting ring	Steel C70	110	Motorprotector [2]	-
22	Tie-rod	Galvanised Fe 42	200	Screw (Pump body)	A2 UNI7323 stainless steel
23	Capacitor [2]	-			

[1]= For Three phase only

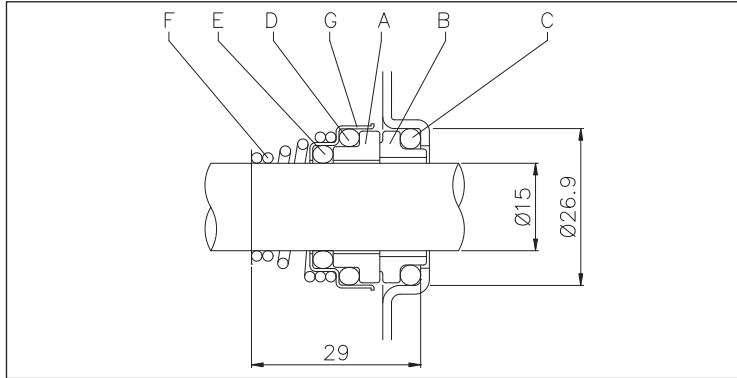
[4]= With gasket in NBR for JEX 80, JEX 100, JEX 120 single phase models

[2]= For single phase only

[5]= For JEXM 150 IP55 only

[3]= For IP 55 only

JEX MECHANICAL SEAL



MATERIALS TABLE

Ref.	Name	Material
A	Rotating part	Ceramic
B	Fixed part	Carbon
C	O-Ring	NBR
D	O-Ring	NBR
E	O-Ring	NBR
F	Spring	AISI 316
G	Structure/frame	AISI 304

JEX ELECTRIC DATA TABLE

Model	P ₂	Efficiency		Capacitor		Efficiency (%)			P ₁		Absorbed Current				
		Single phase	Three phase	Single phase	Three phase	50%	75%	100%	Single phase	Three phase	Single phase	Three phase	Three phase		
Single phase 230V	Three phase 230/400V	[HP]	[kW]			μF	V _c		η %		[kW]	[kW]	230V	230V	400V
JEXM 80	JEX 80	0,8	0,6	-	-	16	450	-	-	-	1,05	0,97	4,7	3,3	1,9
JEXM 100	JEX 100	1	0,75	-	IE2	20	450	77,2	80,9	81,3	1,33	1,13	6,4	3,5	2,0
JEXM 120	JEX 120	1,2	0,88	-	IE2	20	450	77,2	80,9	81,3	1,39	1,15	6,7	3,6	2,1
JEXM 150	JEX 150	1,5	1,1	-	IE2	35	450	79,7	82,5	83,0	1,70	1,80	7,6	5,5	3,2

JEX NOISE DATA TABLE

Model	P ₂	L _{pA} - dB(A)*		
		[HP]	[kW]	
Single phase 230V	Three phase 230/400V			
JEXM 80	JEX 80	0,8	0,6	71
JEXM 100	JEX 100	1	0,75	71
JEXM 120	JEX 120	1,2	0,88	71
JEXM 150	JEX 150	1,5	1,1	76

* Mean value of several measures at 1m distance around the pump.
Tolerance ± 2,5 dB.

Residential

