

EBARA



CONTENTS

50 Hz

Rev. E

	Page
- SPECIFICATIONS	200
DS SPECIFICATIONS	200
DSF SPECIFICATIONS	201
DVS SPECIFICATIONS	202
DL SPECIFICATIONS	203
DL W/C SPECIFICATIONS	204
DML SPECIFICATIONS	205
DMLF SPECIFICATIONS	206
DMLV SPECIFICATIONS	207
DMLVF SPECIFICATIONS	208
DRS SPECIFICATIONS (40DRS)	209
DRS SPECIFICATIONS (65DRS)	210
DRD SPECIFICATIONS (65-80DRD)	211
DRD SPECIFICATIONS (100DRD)	212
DRD SPECIFICATIONS (150DRD)	213
DRD SPECIFICATIONS (200DRD)	214
DRD SPECIFICATIONS (250DRD)	215
DRD SPECIFICATIONS (300DRD)	216
DRD SPECIFICATIONS (350DRD)	217
SELECTION CHART DS-DSF	218
SELECTION CHART DVS	219
SELECTION CHART 65DL, 80DL	220
SELECTION CHART 100DL	221
SELECTION CHART 150DL	222
SELECTION CHART 200DL	223
SELECTION CHART 250DL	224
SELECTION CHART 300DL	225
SELECTION CHART DL W/C	226
SELECTION CHART 80DML	227
SELECTION CHART 100DML	228
SELECTION CHART 150DML	229
SELECTION CHART 50-65DMLF	230
SELECTION CHART 40-50-65 DMLVF	231
SELECTION CHART 80 DMLV – 80 DMLVF	232
SELECTION CHART 100 DMLV - 100DMLVF	233
SELECTION CHART 40 DRSA (M)	234
SELECTION CHART 40 DRSA	234/1
SELECTION CHART 65 DRSA	235
SELECTION CHART 65-80 DRD	236
SELECTION CHART 100 DRD	237
SELECTION CHART 150 DRD	238
SELECTION CHART 200 DRD	239
SELECTION CHART 250 DRD	240
SELECTION CHART 300 DRD	241
SELECTION CHART 350 DRD	242
TYPE KEY AND CURVE SPECIFICATIONS	243
PERFORMANCE CURVE 50DS(51.5, 52.2, 53.7)	244
PERFORMANCE CURVE 65DS51.5	245
PERFORMANCE CURVE 80DS(52.2, 53.7)	246
PERFORMANCE CURVE 100DS(55.5, 57.5)	247
PERFORMANCE CURVE 40DSF51.5M2CG; 40DSF51.9M2AG; 40DSF56T2AG	248
PERFORMANCE CURVE 50DVS51.5	249

100

CONTENTS

50 Hz

Rev. E

PERFORMANCE CURVE (80)65DVS(51.5, 52.2, 53.7)	250
PERFORMANCE CURVE 65DL51.5	251
PERFORMANCE CURVE 80DL(51.5, 52.2, 53.7), 80DLC(55.5, 57.5)	252
PERFORMANCE CURVE 100DL53.7, 100DLB(55.5, 57.5), 100DL(511, 515, 518.5)	253
PERFORMANCE CURVE 100DLC(55.5, 57.5)	254
PERFORMANCE CURVE 150DL(55.5, 57.5, 511, 515, 518.5, 522)	255
PERFORMANCE CURVE 150DL(530, 537, 545)	255/1
PERFORMANCE CURVE 200DL(55.5, 57.5, 511, 515, 518.5, 522)	256
PERFORMANCE CURVE 200DL(530, 537, 545)	256/1
PERFORMANCE CURVE 250DL(57.5, 511, 515, 518.5, 522)	257
PERFORMANCE CURVE 250DL(530, 537, 545)	257/1
PERFORMANCE CURVE 300DL(511, 515, 518.5, 522)	258
PERFORMANCE CURVE 300DL(530, 537, 545)	258/1
PERFORMANCE CURVE 65DL51.5W/C	259
PERFORMANCE CURVE 80DL(51.5, 52.2, 53.7)W/C	260
PERFORMANCE CURVE 100DL53.7W/C, 100DLB(55.5, 57.5)W/C	261
PERFORMANCE CURVE 80DML52.2	262
PERFORMANCE CURVE 80DML53.7	261/1
PERFORMANCE CURVE 100DML53.7	263
PERFORMANCE CURVE 100DML55.5	263/1
PERFORMANCE CURVE 100DML57.5	263/2
PERFORMANCE CURVE 100DML511	263/3
PERFORMANCE CURVE 100DML515	263/4
PERFORMANCE CURVE 100DML522	263/5
PERFORMANCE CURVE 150DML55.5	264
PERFORMANCE CURVE 150DML57.5	264/1
PERFORMANCE CURVE 150DML511	264/2
PERFORMANCE CURVE 150DML515	264/3
PERFORMANCE CURVE 150DML522	264/4
PERFORMANCE CURVE 50DMLF51.4M2BG	265
PERFORMANCE CURVE 65DMLF51.5M2AG; 65DMLF51.9M2BG	266
PERFORMANCE CURVE 80DMLV52.2	267
PERFORMANCE CURVE 80DMLV53.7	267/1
PERFORMANCE CURVE 100DMLV55.5	268
PERFORMANCE CURVE 100DMLV57.5	268/1
PERFORMANCE CURVE 100DMLV511	268/2
PERFORMANCE CURVE 100DMLV515	268/3
PERFORMANCE CURVE 100DMLV522	268/4
PERFORMANCE CURVE 40DMLVF50.5M2AG	269
PERFORMANCE CURVE 50DMLVF51.5M2CG; 50DMLVF51.5M2BG; 50DMLVF51.9M2AG	270
PERFORMANCE CURVE 65DMLVF51.5M2CG	271
PERFORMANCE CURVE 80DMLVF54.9T4AG	272
PERFORMANCE CURVE 80DMLVF516.6T2BG; 80DMLVF518.2T2DG	272/1
PERFORMANCE CURVE 100DMLVF55.2T6BG	273
PERFORMANCE CURVE 40DRS51.1M2CG; 40DRS51.1M2BG; 40DRS51.1M2AG	274
PERFORMANCE CURVE 40DRS51.2M2CG; 40DRS51.5M2BG; 40DRS51.9M2AG	274/1
PERFORMANCE CURVE 40DRS51.1T2CG; 40DRS51.1T2BG	274/2
PERFORMANCE CURVE 40DRS51.4T2AG; 40DRS51.6T2CG; 40DRS51.6T2BG	274/3
PERFORMANCE CURVE 40DRS52.4T2AG; 40DRS53.1T2BG; 40DRS53.1T2AG	274/4
PERFORMANCE CURVE 40DRS54.2T2CG; 40DRS55T2BG; 40DRS55T2AG	274/5
PERFORMANCE CURVE 65DRS57.5T2BG; 65DRS56.5T2CG	275
PERFORMANCE CURVE 65DRS59T2DG; 65DRS511T2CG; 65DRS513.8T2BG; 65DRS513.8T2AG	275/1
PERFORMANCE CURVE 65DRS514.9T2GG; 65DRS520T2BG; 65DRS522.4T2AG; 65DRS525.1T2AG	275/2

CONTENTS

50 Hz

	Rev. E
PERFORMANCE CURVE 65DRD53.1T2CG; 65DRD53.6T2BG	275/3
PERFORMANCE CURVE 80DRD55T2BG; 80DRD56T2AG; 80DRD57.5T2AG	276
PERFORMANCE CURVE 100DRD52.7T6AG; 100DRD52.8T6AG	277
PERFORMANCE CURVE 100DRD54.6T4CG; 100DRD54.6T4BG	277/1
PERFORMANCE CURVE 100DRD57.1T4BG; 100DRD57.5T4FG; 100DRD510T4FG; 100DRD510T4AG	277/2
PERFORMANCE CURVE 100DRD512T2DG; 100DRD514.9T2CG; 100DRD516.6T2BG	277/3
PERFORMANCE CURVE 100DRD518.2T2AG; 100DRD520T2AG	277/4
PERFORMANCE CURVE 150DRD540.2T2BG; 150DRD552T2CG	278
PERFORMANCE CURVE 150DRD56T6CG; 150DRD58T6BG; 150DRD512T6AG; 150DRD514T6BG	278/1
PERFORMANCE CURVE 150DRD523T4CG; 150DRD527T4BG; 150DRD527T4AG	278/2
PERFORMANCE CURVE 150DRD530T4BG; 150DRD530.1T4BG	278/3
PERFORMANCE CURVE 150DRD535T2AG	278/4
PERFORMANCE CURVE 150DRD535.7T4EG; 150DRD535.7T4AG; 150DRD541T4AG	278/5
PERFORMANCE CURVE 150DRD560T4GG; 150DRD575T4CG; 150DRD580T4BG; 150DRD580T4AG	278/6
PERFORMANCE CURVE 200DRD56T8AG; 200DRD56.2T8CG; 200DRD58T8AG	279
PERFORMANCE CURVE 200DRD59.3T8CG; 200DRD59.3T8BG	279/1
PERFORMANCE CURVE 200DRD59.8T6CG; 200DRD514T6BG; 200DRD514T6AG	279/2
PERFORMANCE CURVE 200DRD515.8T6CG; 200DRD518.9T6BG; 200DRD523T6AG	279/3
PERFORMANCE CURVE 200DRD540T4CG; 200DRD544T4BG; 200DRD548T4AG	279/4
PERFORMANCE CURVE 250DRD512.4T8DG; 250DRD517.1T8CG; 250DRD519T8AG	280
PERFORMANCE CURVE 250DRD515T4AG	280/1
PERFORMANCE CURVE 250DRD523T6DG; 250DRD529T6CG; 250DRD539.2T6BG; 250DRD539.2T6AG	280/2
PERFORMANCE CURVE 250DRD565T4DG; 250DRD575T4CG; 250DRD575T4BG; 250DRD585T4AG	280/3
PERFORMANCE CURVE 300DRD521.8T8BG; 300DRD526.7T8CG	281
PERFORMANCE CURVE 300DRD533.4T6DG; 300DRD539.2T6CG; 300DRD555.8T6BG; 300DRD565T6AG	281/1
PERFORMANCE CURVE 350DRD540T8CG; 350DRD545T8AG	282
 - CONSTRUCTIONS	 300
SECTIONAL VIEW 50DS (1.5 kW)	300
SECTIONAL VIEW 65DS (1.5 kW)	301
SECTIONAL VIEW 50(80)DS (2.2, 3.7 kW), 100DS (5.5, 7.5 kW)	302
SECTIONAL VIEW 40DSF (1.5÷1.9 kW)	303
SECTIONAL VIEW 40DSF (6.0 kW)	303/1
SECTIONAL VIEW 50DVS (1.5 kW)	304
SECTIONAL VIEW 65(80)DVS (1.5 kW)	305
SECTIONAL VIEW 65(80)DVS (2.2, 3.7 kW)	305/1
SECTIONAL VIEW 65DL (1.5 kW), 80DL (1.5÷3.7 kW), 100DL (3.7 kW), SECTIONAL VIEW 80DL (5.5÷7.5 kW), 100DL (5.5÷18.5 kW), 150DL (5.5÷45 kW), 200DL (5.5÷45 kW), 250DL (7.5÷45 kW), 300DL (11÷45 kW),	307
SECTIONAL VIEW 150DL (30÷45 kW), 200DL (30÷45 kW), 250DL (30÷45 kW), 300DL (30÷45 kW)	308
SECTIONAL VIEW 80DML (2.2 kW)	309
SECTIONAL VIEW 80DML (3.7 kW), 100DML, 150DML (3.7÷7.5 kW)	309/1
SECTIONAL VIEW 100DML, 150DML (3.7÷7.5 kW)	310
SECTIONAL VIEW 50DMLF (1.4 kW)	311
SECTIONAL VIEW 65DMLF (1.5 kW)	312
SECTIONAL VIEW 65DMLF (1.9 kW)	312/1
SECTIONAL VIEW 80DMLV (2.2 kW)	313
SECTIONAL VIEW 80DMLV (3.7 kW), 100DMLV (3.7÷5.5 kW)	313/1
SECTIONAL VIEW 100DMLV (11÷22 kW)	314
SECTIONAL VIEW 40DMLVF (0.5 kW)	315
SECTIONAL VIEW 50DMLVF (1.5÷.9 kW)	316

102

CONTENTS

50 Hz

Rev. E

SECTIONAL VIEW 65DMLVF (1.5 kW)	317
SECTIONAL VIEW 80DMLVF (4.9 kW)	318
SECTIONAL VIEW 80DMLVF (16.6 kW)	318/1
SECTIONAL VIEW 80DMLVF (18.2 kW)	318/2
SECTIONAL VIEW 100DMLVF (5.2 kW)	319
SECTIONAL VIEW 40DRS (1.1÷5.0 kW)	320
SECTIONAL VIEW 65DRS (6.5÷25.1 kW)	321
SECTIONAL VIEW 65DRD (3.1÷3.6 kW)	322
SECTIONAL VIEW 80DRS (5.0÷7.5 kW)	323
SECTIONAL VIEW 100DRD (2.7÷20.0 kW)	324
SECTIONAL VIEW 150DRD (6.0÷80.0 kW)	325
SECTIONAL VIEW 200DRD (6.0÷48.0 kW)	326
SECTIONAL VIEW 250DRD (12.4÷85.0 kW)	327
SECTIONAL VIEW 300DRD (21.8÷65.0 kW)	328
SECTIONAL VIEW 350DRD (40.0÷45.0 kW)	329
SECTIONAL VIEW QDC LS50	330
SECTIONAL VIEW QDC LM50, LM65, LM80	332
SECTIONAL VIEW QDC LL80, LL100	333
SECTIONAL VIEW QDC LL125, LL150	334
SECTIONAL VIEW QDC LL250, 300	335
MECHANICAL SEALS TYPE A(20÷45), EAN(30÷45)	336
MECHANICAL SEALS TYPE EAN-60	337
MECHANICAL SEALS TYPE IEC 63 – IEC 72-71	338
MECHANICAL SEALS TYPE IEC 90-100-112-132 AND GM17-18-19-30-37	339
MECHANICAL SEALS TYPE IEC 160-180-200-250	340
MECHANICAL SEALS & BALL BEARINGS TABLE	341
- DIMENSIONS AND WEIGHT	400
DIMENSIONS 50DS	400
DIMENSIONS DS WITH QDC (1.5÷3.7 kW)	401
DIMENSIONS DS WITH QDC (5.5÷7.5 kW)	401/1
DIMENSIONS 40DSF/40DSF WITH QDC (1.5÷1.9 kW)	402
DIMENSIONS 40DSF/40DSF WITH QDC (6.0 kW)	404
DIMENSIONS DVS	406
DIMENSIONS DVS WITH QDC	407
DIMENSIONS DL	408
DIMENSIONS 65DL, 80DL (1.5÷3.7 kW) WITH QDC	409
DIMENSIONS 80DL (5.5÷7.5), 100DL WITH QDC	410
DIMENSIONS 150DL, 200DL WITH QDC	411
DIMENSIONS 250DL, 300DL WITH QDC	412
DIMENSIONS DL W/C	413
DIMENSIONS 65DL W/C, 80DL W/C (1.5÷3.7 kW) WITH QDC	414
DIMENSIONS 100DL W/C WITH QDC	415
DIMENSIONS DML	416
DIMENSIONS 80DML, 100DML (3.7÷5.5 kW) WITH QDC	417
DIMENSIONS 100DML, 150DML WITH QDC	418
DIMENSIONS 50DMLF/50DMLF WITH QDC (1.4 kW)	419
DIMENSIONS 65DMLF/65DMLF WITH QDC (1.5÷1.9 kW)	421
DIMENSIONS DMLV	423
DIMENSIONS 80DMLV WITH QDC	424
DIMENSIONS 100DMLV WITH QDC	425
DIMENSIONS 40DMLVF (0.5 kW)	426
DIMENSIONS 50DMLVF/50DMLVF WITH QDC (1.5÷1.9 kW)	427

103

CONTENTS

50 Hz

Rev. E

DIMENSIONS 65DMLVF/65DMLVF WITH QDC (1.5 kW)	429
DIMENSIONS 80DMLVF/80DMLVF WITH QDC (4.9 kW)	431
DIMENSIONS 80DMLVF/80DMLVF WITH QDC (16.6 kW)	433
DIMENSIONS 80 DMLVF/80DMLVF WITH QDC (18.2 kW)	435
DIMENSIONS 100 DMLVF/100DMLVF WITH QDC (5.2 kW)	437
DIMENSIONS 40DRS/40DRS WITH QDC (1.1 kW)	439
DIMENSIONS 40DRS/40DRS WITH QDC (1.1÷1.9 kW)	440
DIMENSIONS 40DRS/40DRS WITH QDC (1.1÷1.4 kW)	441
DIMENSIONS 40DRS/40DRS WITH QDC (1.6÷2.4 kW)	442
DIMENSIONS 40DRS/40DRS WITH QDC (3.1 kW)	443
DIMENSIONS 40DRS/40DRS WITH QDC (4.2÷5.0 kW)	444
DIMENSIONS 65DRS/65DRS WITH QDC (6.5÷7.5 kW)	445
DIMENSIONS 65DRS/65DRS WITH QDC (9.0 ÷14.9 kW)	446
DIMENSIONS 65DRS/65DRS WITH QDC (20.0÷25.1 kW)	447
DIMENSIONS 65DRD/65DRD WITH QDC (3.1÷3.6 kW)	448
DIMENSIONS 80DRD/80DRD WITH QDC (5.0÷6.0 kW)	449
DIMENSIONS 80DRD/80DRD WITH QDC (7.5 kW)	450
DIMENSIONS 100DRD/100DRD WITH QDC (2.7 kW)	451
DIMENSIONS 100DRD/100DRD WITH QDC (2.8÷4.6 kW)	452
DIMENSIONS 100DRD/100DRD WITH QDC (7.1÷7.5 kW)	453
DIMENSIONS 100DRD/100DRD WITH QDC (10.0 kW)	454
DIMENSIONS 100DRD/100DRD WITH QDC (12.0÷18.2 kW)	455
DIMENSIONS 100DRD/100DRD WITH QDC (20.0 kW)	456
DIMENSIONS 150DRD/150DRD WITH QDC (6.0 kW)	457
DIMENSIONS 150DRD/150DRD WITH QDC (8.0 kW)	458
DIMENSIONS 150DRD/150DRD WITH QDC (12.0÷14.0 kW)	459
DIMENSIONS 150DRD/150DRD WITH QDC (23.0÷27.0 kW)	460
DIMENSIONS 150DRD/150DRD WITH QDC (30.0÷41.0 kW)	461
DIMENSIONS 150DRD/150DRD WITH QDC (35.0÷52.0 kW)	462
DIMENSIONS 150DRD/150DRD WITH QDC (60 kW)	463
DIMENSIONS 150DRD/150DRD WITH QDC (75.0÷80.0 kW)	464
DIMENSIONS 200DRD/200DRD WITH QDC (6.0÷23.0 kW)	465
DIMENSIONS 200DRD/200DRD WITH QDC (6.2÷9.8 kW)	466
DIMENSIONS 200DRD/200DRD WITH QDC (14.0 kW)	467
DIMENSIONS 200DRD/200DRD WITH QDC (40.0÷48.0 kW)	468
DIMENSIONS 250DRD/250DRD WITH QDC (12.4÷23.0 kW)	469
DIMENSIONS 250DRD/250DRD WITH QDC (19.0÷29.0 kW)	470
DIMENSIONS 250DRD/250DRD WITH QDC (15.0 kW)	471
DIMENSIONS 250DRD/250DRD WITH QDC (39.2 kW)	472
DIMENSIONS 250DRD/250DRD WITH QDC (65.0÷85.0 kW)	473
DIMENSIONS 300DRD/300DRD WITH QDC (21.8÷39.2 kW)	474
DIMENSIONS 300DRD/300DRD WITH QDC (55.8÷65.0 kW)	475
DIMENSIONS 350DRD/350DRD WITH QDC (40.0÷45.0 kW)	476
- TECHNICAL DATA	500
MOTOR DATA DS, DVS (1.5÷3.7 kW)	500
MOTOR DATA DS (5.5÷7.5 kW)	501
MOTOR DATA DSF (1.5÷6.0 kW)	502
MOTOR DATA DL, DL W/C (1.5÷3.7 kW)	503
MOTOR DATA DL (5.5÷11 kW), DL W/C (5.5÷7.5 kW)	504
MOTOR DATA DL (15÷22 kW)	505
MOTOR DATA DL (30÷45 kW)	505/1
MOTOR DATA DML, DMLV (2.2÷3.7 kW)	506

104

CONTENTS

50 Hz

	Rev. E
MOTOR DATA DML, DMLV (5.5÷11 kW)	506/1
MOTOR DATA DML, DMLV (15÷22 kW)	506/2
MOTOR DATA DMLF (1.4÷1.9 kW)	507
MOTOR DATA DMLVF (0.5÷18.2 kW)	508
MOTOR DATA DRS (1.1÷25.1 kW)	509
MOTOR DATA DRD (3.1÷14.0 kW)	510
MOTOR DATA DRD (14.0÷85.0 kW)	511
- ACCESSORIES	600
QDC SELECTION TABLE	600
QDC, ELBOW, TRIPOD AND FLANGE SELECTION TABLE	601

SPECIFICATION: DS (Sump Pump)

50 Hz

Rev. E

DS				
PUMP	Liquid Handled	Type of liquid	Dirty water	
		Max Temp. [°C]	40°	
		Max solids size [mm]	5	(50DS)
			6	(65DS)
			7	(80DS)
	8	(100DS)		
	Max fibers length [mm]	50		
	Submergence	Max [m]	3 (1.5 kW) 7 (2.2÷7.5 kW)	
		Min [m]	Refer to low water level (L.W.L.) and usage restriction in dimension	
	Construction	Impeller	Semi - open (with strainer)	
		Shaft seal type	Oil lubricated, single spring double mechanical seal	
	Connection	Suction	Strainer	
		Discharge [inch] [mm]	G1½ UNI ISO 228 (50DS 1.5 kW) DN 50, 65, 80, 100 PN 10 according to EN 1092-2	
	Materials	Casing	Cast iron	
		Impeller	Cast iron	
		Suction Cover	Stainless Steel (1.5 kW)	
Cast iron (2.2÷7.5 kW)				
Shaft		Aisi 403		
Motor frame		Cast iron		
Fasteners	Aisi 304			
Accessories	Standard	SiC/SiC/NBR Impeller side Carbon/Ceramic/NBR Motor side Lubricant: Turbine Oil VG32 (SAE 10W/20W)		
		Screwed flange oval type (1.5 kW). Discharge elbow (2.2÷7.5 kW).		
	Optional	Quick Discharge Connector (QDC): LS, LM, LL type		
Applicable standard of test		ISO 9906 Annex A		
MOTOR	Type		Three Phase air filled dry submersible	
	No. of Poles		2	
	Rotation speed [min ⁻¹]		~ 2850	
	Insulation Class		F	
	Protection degree		IP 68	
	Power Rating [kW]		1.5 ÷ 7.5	
	Frequency [Hz]		50 ±1%	
	Voltage [V]		380-415 ±10%	
	Starting		DOL	
	Over load protection		Built in	
	Cable	material	H07RN-F	
length [m]		6 (up to 1.5 kW), 10 (2.2 kW and above)		
Bearings		Permanently lubricated sealed ball bearings		

DSF				
PUMP	Liquid Handled	Type of liquid	Dirty water	
		Max Temp. [°C]	< 40°	
		Max solids size [mm]	6 7 40DSF56T2AG	
	Submergence	Max [m]	20	
		Min [m]	Refer to low water level (L.W.L.) and usage restriction in dimension	
	Construction	Impeller	Drainage	
		Shaft seal type	Oil lubricated, single spring single mechanical seal + Lip Seal	
	Connection	Suction	-	
		Discharge [mm] (*According to EN 1092-2)	DN40*	
	Materials	Casing	Cast iron EN-GJL-250	
		Impeller	Cast-iron GS400	
		Suction Cover	Cast iron EN-GJL-250	
Shaft		Stainless Steel AISI 420B/431		
Motor frame		Cast iron EN-GJL-250		
Fasteners		A2 class - AISI 304		
	Mechanical seal	SiC Impeller side NBR Motor side Nitrile O-rings and lip seal Lubricant: AGIP ITE 360		
Accessories	Optional	Screwed flange square type (up to DN 40 discharge) Discharge threaded elbow (up to DN 40 discharge) Quick Discharge Connector (QDC): PA type		
Applicable standard of test		ISO 9906 Annex A		
MOTOR	Type	Single Phase	Three Phase	
	Dry motor, cooled by surrounding liquid			
	No. of Poles	2		
	Rotation speed [min ⁻¹]	2850		
	Insulation Class	H		
	Protection degree	IP 68		
	Power Rating [kW]	1.5 ÷ 1.9	6.0	
	Frequency [Hz]	50	-5/+3 %	
	Voltage [V]	230 ±10%	400/690 ±10%	
	Starting	DOL	DOL - Y/Δ	
	Over load protection	Yes	Yes	
	Humidity probe	-	Yes	
	Floating switch	Yes	-	
	Cable	material	H07RN-F	
		length [m]	10	
	size [mm ²]	3G1.5	12G1.5	
Bearings		Life lubricated, maintenance free		

SPECIFICATION: DVS (Semi-Vortex Pump)

50 Hz

Rev. E

DVS			
PUMP	Type of liquid	Water containing foreign matter	
	Max Temp. [°C]	40°	
	Liquid Handled	Max solids size [mm]	21 (50DVS)
			33 (65DVS & 80DVS 1.5 kW)
			41 (65DVS & 80DVS 2.2 - 3.7 kW)
	Max fibers length [mm]	100 (50DVS)	
		200 (65DVS & 80DVS 1.5 kW)	
		245 (65DVS & 80DVS 2.2 - 3.7 kW)	
	Submergence	Max [m]	3 (1.5 kW) 7 (2.2 ÷ 3.7 kW)
		Min [m]	Refer to low water level (L.W.L.) and usage restriction in dimension
	Construction	Impeller	Semi – Vortex
		Shaft seal type	Oil lubricated, single spring double mechanical seal
	Connection	Suction	Open
		Discharge [inch] [mm]	G1½ UNI ISO 228 (50DVS 1.5 kW) DN 50, 65, 80 PN 10 according to EN 1092-2
	Materials	Casing	Cast iron
Impeller		Cast iron	
Shaft		Aisi 403	
Motor frame		Cast iron	
Fasteners		Aisi 304	
Mechanical seal		SiC/SiC/NBR Impeller side Carbon/Ceramic/NBR Motor side Lubricant: Turbine Oil VG32 (SAE 10W/20W)	
Accessories	Standard	Screwed companion oval flange (50 DVS) Discharge elbow (65DVS & 80DVS)	
	Optional	Quick Discharge Connector (QDC): LS, LM, type	
Applicable standard of test		ISO 9906 Annex A	
MOTOR	Type	Three Phase air filled dry submersible	
	No. of Poles	2	
	Rotation speed [min ⁻¹]	~ 2850	
	Insulation Class	F	
	Protection degree	IP 68	
	Power Rating [kW]	1.5 ÷ 3.7	
	Frequency [Hz]	50±1%	
	Voltage [V]	380-415 ±10%	
	Starting	DOL	
	Over load protection	Built in	
	Cable material	H07RN-F	
	Cable length [m]	6 (up to 1.5 kW), 10 (2.2 kW and above)	
Bearings	Permanently lubricated sealed ball bearings		

SPECIFICATION: DL (Sewage Pump)

50 Hz

Rev. E

DL				
PUMP	Liquid Handled	Type of liquid	Sewage	
		Max Temp. [°C]	40°	
		Max solids size [mm]	35 (65DL)	76 (200DL up to 22kW)
			50 (80DL, all DLC)	76 (all 30÷44 kW)
			60 (100DL, 100DLB)	82 (250DL up to 22kW)
	70 (150DL up to 22kW)		90 (300DL up to 22kW)	
	Max fibers length [mm]	195 (65DL)	500 (200DL up to 22kW)	
		240 (80DL, all DLC)	500 (all 30÷44 kW)	
		300 (100DL, 100DLB)	550 (250DL up to 22kW)	
		400 (150DL up to 22kW)	600 (300DL up to 22kW)	
	Submergence	Max [m]	7	
		Min [m]	Refer to low water level (L.W.L.) and usage restriction in dimension	
	Construction	Impeller	Non clog, semi-open	
		Shaft seal type	Oil lubricated, single (up to 3.7 kW) or tandem (5.5 kW and above) springs double mechanical seal	
	Connection	Suction	Open	
		Discharge [mm]	Flange DN 65, 80, 100, 150, 200, 250, 300 PN 10 according to EN 1092-2	
	Materials	Casing	Cast iron	
Impeller		Cast iron		
Suction Cover		Cast iron		
Shaft		Aisi 403		
Motor frame		Cast iron		
Fasteners		Aisi 304		
Mechanical seal		SiC/SiC/NBR Impeller side Carbon/Ceramic/NBR Motor side Lubricant: Turbine Oil VG32 (SAE 10W/20W)		
Accessories	Standard	Discharge elbow		
	Optional	Quick Discharge Connector (QDC): LM, LL type		
Applicable standard of test		ISO 9906 Annex A		
MOTOR	Type		Three Phase air filled dry submersible	
	No. of Poles		4	
	Rotation speed [min ⁻¹]	~ 1450		
	Insulation Class		F	
	Protection degree		IP 68	
	Power Rating [kW]	1.5 ÷ 45		
	Frequency [Hz]	50±1%		
	Voltage [V]	380-415 ±10%(1.5÷7.5 kW)		
		400-415 ±10% (Δ connection 11÷22 kW)		
		380-415 ±10% (Δ connection 30÷45 kW)		
	Starting		DOL up to 7.5 kW Y/Δ from 11 kW up to 45 kW	
	Over load protection		Built in	
Cable	material	H07RN-F		
	length [m]	10		
Bearings		Permanently lubricated sealed ball bearings		

		DLW/C		
PUMP	Type of liquid	Sewage		
	Max Temp. [°C]	40°		
	Liquid Handled	Max solids size [mm]	35	(65DLW/C)
			50	(80DLW/C)
			60	(100DLB W/C)
	Max fibers length [mm]	195	(65DLW/C)	
		240	(80DLW/C)	
		300	(100DLW/C)	
	Submergence	Max [m]	7	
		Min [m]	Refer to low water level (L.W.L.) and usage restriction in dimension	
	Construction	Impeller	Non clog, semi-open with cutting action	
		Shaft seal type	Oil lubricated, single (up to 3.7 kW) or tandem (5.5 kW and above) springs double mechanical seal	
	Connection	Suction	Open	
		Discharge [mm]	Flange DN 65, 80, 100 PN 10 according to EN 1092-2	
	Materials	Casing	Cast iron	
Impeller		Cast iron		
Suction Cover		Cast iron		
Shaft		Aisi 403		
Motor frame		Cast iron		
Fasteners		Aisi 304		
Mechanical seal		SiC/SiC/NBR	Impeller side	
		Carbon/Ceramic/NBR	Motor side	
		Lubricant: Turbine Oil VG32 (SAE 10W/20W)		
Accessories	Standard	Discharge elbow		
	Optional	Quick Discharge Connector (QDC): LM, LL type		
Applicable standard of test		ISO 9906 Annex A		
MOTOR	Type	Three Phase air filled dry submersible		
	No. of Poles	4		
	Rotation speed [min ⁻¹]	~ 1450		
	Insulation Class	F		
	Protection degree	IP 68		
	Power Rating [kW]	1.5 ÷ 7.5		
	Frequency [Hz]	50±1%		
	Voltage [V]	380-415 ±10%		
	Starting	DOL (Direct on line)		
	Over load protection	Built in		
	Cable	material	H07RN-F	
length [m]		10		
Bearings		Permanently lubricated sealed ball bearings		

SPECIFICATION: DML (Sewage Pump)

50 Hz

Rev. E

DML			
PUMP	Liquid Handled	Type of liquid	Sewage
		Max Temp. [°C]	40°
		Max solids size [mm]	76
		Max fibers length [mm]	500
	Submergence	Max [m]	7
		Min [m]	Refer to low water level (L.W.L.) and usage restriction in dimension
	Construction	Impeller	Non clog, single channel
		Shaft seal type	Oil lubricated, single spring double mechanical seal
	Connection	Suction	Open
		Discharge [mm]	Flange DN 80, 100, 150 PN 10 according to EN 1092-2
	Materials	Casing	Cast iron
		Impeller	Cast iron
		Suction Cover	Cast iron
		Shaft	Aisi 403
		Motor frame	Cast iron
Fasteners		Aisi 304	
Mechanical seal		SiC/SiC/NBR Impeller side Carbon/Ceramic/NBR Motor side Lubricant: Turbine Oil VG32 (SAE 10W/20W)	
Accessories	Standard	Discharge elbow	
	Optional	Quick Discharge Connector (QDC): LM, LL type	
Applicable standard of test		ISO 9906 Annex A	
MOTOR	Type		Three Phase air filled dry submersible
	No. of Poles		4
	Rotation speed [min ⁻¹]		~ 1450
	Insulation Class		F
	Protection degree		IP 68
	Power Rating [kW]		2.2 ÷ 22
	Frequency [Hz]		50±1%
	Voltage [V]		380-415 -10+6% (2.2 kW) 380-415 ±10% (3.7÷22 kW)
	Starting		DOL 2.2 kW Y/Δ from 3.7 kW up to 22 kW
	Over load protection		Built in motor protector 2.2 kW Built in heat probe from 3.7 kW up to 22 kW
	Cable	material	H07RN-F
		length [m]	10
Bearings		Permanently lubricated sealed ball bearings	

DMLF				
PUMP	Liquid Handled	Type of liquid	Non corrosive dirty waters also with solid bodies in suspension	
		Max Temp. [°C]	< 40°	
		Max solids size [mm]	30 50DMLF51.4M2BG 40 65DMLF51.5M2AG, 65DMLF51.5M2AG	
	Submergence	Max [m]	20	
		Min [m]	Refer to low water level (L.W.L.) and usage restriction in dimension	
	Construction	Impeller	Non clog, single channel	
		Shaft seal type	Oil lubricated, single spring single mechanical seal + Lip seal	
	Connection	Suction [mm]	- 50DMLF51.4M2BG 50 65DMLF51.5M2AG, 65DMLF51.5M2AG	
		Discharge [mm] <small>(*According to EN 1092-2)</small>	50 50DMLF51.4M2BG DN65* 65DMLF51.5M2AG, 65DMLF51.5M2AG	
	Materials	Casing	Cast iron EN-GJL-250	
		Impeller	Cast-iron EN-GJL-250+Ni	
		Suction Cover	Cast iron EN-GJL-250	
		Shaft	Stainless Steel AISI 420B/431	
		Motor frame	Cast iron EN-GJL-250	
Fasteners		A2 class - AISI 304		
	Mechanical seal	NBR Impeller side SiC Motor side Nitrile O-rings and lip seal Lubricant: AGIP ITE 360		
Accessories	Optional	Screwed flange square type Discharge threaded elbow Quick Discharge Connector (QDC): PA type		
	Applicable standard of test	ISO 9906 Annex A		
MOTOR	Type	Single Phase Dry motor, cooled by surrounding liquid		
	No. of Poles	2		
	Rotation speed [min ⁻¹]	2850		
	Insulation Class	H		
	Protection degree	IP 68		
	Power Rating [kW]	1.4 ÷ 1.9		
	Frequency [Hz]	50 -5/+3 %		
	Voltage [V]	230 ±10%		
	Starting	DOL		
	Over load protection	Yes		
	Floating switch	Up to 1.9 kW		
	Cable	material	H07RN-F	
		length [m]	10	
size [mm]		3G1.5		
Bearings	Overdimensioned, life lubricated, maintenance free			

SPECIFICATION: DMLV (Sewage Pump)

50 Hz

Rev. E

DMLV			
PUMP	Liquid Handled	Type of liquid	Sewage
		Max Temp. [°C]	40°
		Max solids size [mm]	80 (80DMLV) 100 (100DMLV)
		Max fibers length [mm]	400 (80DMLV) 500 (100DMLV)
	Submergence	Max [m]	7
		Min [m]	Refer to low water level (L.W.L.) and usage restriction in dimension
	Construction	Impeller	Vortex
		Shaft seal type	Oil lubricated, single spring double mechanical seal
	Connection	Suction	Open
		Discharge [mm]	Flange DN 80, 100 PN 10 according to EN 1092-2
	Materials	Casing	Cast iron
		Impeller	Cast iron
		Suction Cover	Cast iron
		Shaft	Aisi 403
		Motor frame	Cast iron
Fasteners		Aisi 304	
Mechanical seal		SiC/SiC/NBR Impeller side Carbon/Ceramic/NBR Motor side Lubricant: Turbine Oil VG32 (SAE 10W/20W)	
Accessories	Standard	Discharge elbow	
	Optional	Quick Discharge Connector (QDC): LM, LL type	
Applicable standard of test		ISO 9906 Annex A	
MOTOR	Type	Three Phase air filled dry submersible	
	No. of Poles	4	
	Rotation speed [min ⁻¹]	~ 1450	
	Insulation Class	F	
	Protection degree	IP 68	
	Power Rating [kW]	2.2 ÷ 22	
	Frequency [Hz]	50±1%	
	Voltage [V]	380-415 -10+6% (2.2 kW) 380-415 ±10% (3.7÷22 kW))	
	Starting	DOL 2.2 kW Y/Δ from 3.7 kW up to 22 kW	
	Over load protection	Built in motor protector 2.2 kW Built in heat probe from 3.7 kW up to 22 kW	
	Cable material	H07RN-F	
	Cable length [m]	10	
Bearings	Permanently lubricated sealed ball bearings		

SPECIFICATION: DMLVF (Sewage Pump)

50 Hz

Rev. E

		DMLVF				
PUMP	Type of liquid	Sewage				
	Max Temp. [°C]	<40°				
	Liquid Handled	Max solids size [mm]	30	40DMLVF50.5M2AG	65	65DMLVF51.5M2CG
			50	50DMLVF51.5M2CG, 50DMLVF51.5M2BG, 50DMLVF51.9M2AG	40x50 80	80DMLVF516.6T2BG** 80DMLVF518.2T2DG** 100DMLVF55.2T6BG**
			64	80DMLVF54.9T4AG		
	Submergence	Max [m]	20			
		Min [m]	Refer to low water level (L.W.L.) and usage restriction in dimension			
	Construction	Impeller	Vortex			
		Shaft seal type	Oil lubricated, single spring double mechanical seal			
	Connection	Suction (*According to EN 1092-2) [mm]	30	40DMLVF50.5M2AG	DN80*	80DMLVF54.9T4AG, 80DMLVF516.6T2BG**
			55	50DMLVF51.5M2CG, 50DMLVF51.5M2BG, 50DMLVF51.9M2AG	DN100* DN125*	80DMLVF518.2T2DG** 100DMLVF55.2T6BG**
		Discharge (*According to EN 1092-2) [mm]	1 1/4	40DMLVF50.5M2AG	DN80*	80DMLVF54.9T4AG, 80DMLVF516.6T2BG** 80DMLVF518.2T2DG**
			50	50DMLVF51.5M2CG, 50DMLVF51.5M2BG, 50DMLVF51.9M2AG	DN100*	100DMLVF55.2T6BG**
	Materials	Casing	Cast iron EN-GJL-250			
Impeller		Cast-iron EN-GJL-250+Ni				
Suction Cover		Cast iron EN-GJL-250				
Shaft		Stainless Steel AISI 420B/431				
Motor frame		Cast iron EN-GJL-250				
Fasteners		A2 class - AISI 304				
Mechanical seal		SiC Ceramic/Graphite Nitrile Lubricant: AGIP ITE 360	Impeller side Motor side O-rings and lip seal			
Accessories	Standard	Screwed flange square type Discharge threaded elbow Quick Discharge Connector (QDC): PA type				
		Applicable standard of test ISO 9906 Annex A				
MOTOR	Type	Single Phase		Three Phase		
		Dry motor, cooled by surrounding liquid (*available also with cooling jacket)				
	No. of Poles	2	4	6		
	Rotation speed [min ⁻¹]	2850	1450	950		
	Insulation Class	H				
	Protection degree	IP 68				
	Power Rating [kW]	0.5 ÷ 18.2		4.9	5.2	
	Frequency [Hz]	50 -5/+3 %				
	Voltage [V]	230 ±10%		400/690 ±10%		
	Starting	DOL		DOL - Y/Δ		
	Over load protection	Yes		Yes		
	Humidity probe	No		Yes		
	Floating switch	Up to 1.9 kw		-		
	Cable	material	H07RN-F			
		length [m]	10			
size [mm]		3G1	40DMLVF50.5M2AG	12G1.5	80DMLVF54.9T4AG	
		3G1.5	50DMLVF51.5M2CG, 50DMLVF51.5M2BG, 50DMLVF51.9M2AG	12G2.5	80DMLVF516.6T2BG, 80DMLVF518.2T2DG, 100DMLVF55.2T6BG	
Bearings	Overdimensioned, life lubricated, maintenance free					

40DRS				
PUMP	Liquid Handled	Type of liquid	Sewage	
		Max Temp. [°C]	<40°	
	Max solids size [mm]	6	40DRS51.1M2CG, 40DRS51.1M2BG, 40DRS51.1M2AG, 40DRS51.2M2CG, 40DRS51.5M2BG, 40DRS51.9M2AG, 40DRS51.1T2CG, 40DRS51.1T2BG, 40DRS51.4T2AG, 40DRS51.6T2CG, 40DRS51.6T2BG, 40DRS52.4T2AG, 40DRS53.1T2BG, 40DRS53.1T2AG, 40DRS54.2T2CG, 40DRS55T2BG, 40DRS55T2AG.	
		7		
	Submergence	Max [m]	20	
		Min [m]	Refer to low water level (L.W.L.) and usage restriction in dimension	
	Construction	Impeller	Grinder	
		Shaft seal type	Oil lubricated, single spring single mechanical seal + Lip Seal	
	Connection	Suction [mm]	- 40DRS51.1M2CG, 40DRS51.1M2BG, 40DRS51.1M2AG, 40DRS51.2M2CG, 40DRS51.5M2BG, 40DRS51.9M2AG, 40DRS51.1T2CG, 40DRS51.1T2BG, 40DRS51.4T2AG, 40DRS51.6T2CG, 40DRS51.6T2BG, 40DRS52.4T2AG, 40DRS53.1T2BG, 40DRS53.1T2AG, 40DRS54.2T2CG, 40DRS55T2BG, 40DRS55T2AG.	
		Discharge [mm]	40 40DRS51.1M2CG, 40DRS51.1M2BG, 40DRS51.1M2AG, 40DRS51.2M2CG, 40DRS51.5M2BG, 40DRS51.9M2AG, 40DRS51.1T2CG, 40DRS51.1T2BG, 40DRS51.4T2AG, 40DRS51.6T2CG, 40DRS51.6T2BG, 40DRS52.4T2AG, 40DRS53.1T2BG, 40DRS53.1T2AG, 40DRS54.2T2CG, 40DRS55T2BG, 40DRS55T2AG.	
	Materials	Casing	Cast iron EN-GJL-250	
		Impeller	Cast-iron EN-GJS-400	
		Suction Cover	Cast iron EN-GJL-250	
		Shaft	Stainless Steel AISI 420B/431	
Motor frame		Cast iron EN-GJL-250		
Fasteners		A2 class - AISI 304		
Mechanical seal		SiC	Impeller side	
		Ceramic/Graphite	Motor side	
Accessories		Nitrile	O-rings and lip seal	
		Lubricant: AGIP ITE 360		
Applicable standard of test		Screwed flange square type		
		Discharge threaded elbow		
	Standard	Quick Discharge Connector (QDC): PA type		
		Control Panel with capacitor and disjunctour (only single phase)		
		ISO 9906 Annex A		
MOTOR	Type	Single Phase	Three Phase	
		Dry motor, cooled by surrounding liquid		
	No. of Poles	2		
	Rotation speed [min ⁻¹]	2850		
	Insulation Class	H		
	Protection degree	IP 68		
	Power Rating [kW]	1.1 ÷ 5.0		
	Frequency [Hz]	50 -5/+3 %		
	Voltage [V]	230 ±10%	400/690 ±10%	
	Starting	DOL	DOL - Y/Δ	
	Over load protection	Yes	No Yes 40DRS54.2T2CG, 40DRS55T2BG, 40DRS55T2AG	
	Humidity probe	No	No Yes 40DRS54.2T2CG, 40DRS55T2BG, 40DRS55T2AG	
	Floating switch	Up to 1.9 kW	-	
	Cable	material	Neoprene H07RN/F	
length [m]		10		
size [mm]		4G1.5	4G1.5 4G2.5 40DRS53.1T2BG, 40DRS53.1T2AG 12G1.5 40DRS54.2T2CG, 40DRS54.2T2CG, 40DRS55T2AG	
Bearings	Overdimensioned, life lubricated, maintenance free			

SPECIFICATION: DRS (Sewage Pump)

50 Hz

Rev. E

		65DRS		
PUMP	Type of liquid	Sewage		
	Max Temp. [°C]	< 40°		
	Max solids size [mm]	8	65DRS57.5T2BG, 65DRS56.5T2CG	
		10	65DRS59T2DG, 65DRS511T2CG, 65DRS513.8T2BG, 65DRS513.8T2AG, 65DRS514.9T2GG, 65DRS520T2BG, 65DRS522.4T2AG, 65DRS525.1T2AG	
	Submergence	Max [m]	20	
		Min [m]	Refer to low water level (L.W.L.) and usage restriction in dimension	
	Construction	Impeller	Grinder	
		Shaft seal type	Oil lubricated, single spring single mechanical seal + Lip Seal	
	Connection	Suction [mm]	-	65DRS57.5T2BG, 65DRS56.5T2CG, 65DRS59T2DG, 65DRS511T2CG, 65DRS513.8T2BG, 65DRS513.8T2AG, 65DRS514.9T2GG, 65DRS520T2BG, 65DRS522.4T2AG, 65DRS525.1T2AG
		Discharge [mm] (*According to EN 1092-2)	DN65*	65DRS57.5T2BG, 65DRS56.5T2CG, 65DRS59T2DG, 65DRS511T2CG, 65DRS513.8T2BG, 65DRS513.8T2AG, 65DRS514.9T2GG, 65DRS520T2BG, 65DRS522.4T2AG, 65DRS525.1T2AG
	Materials	Casing	Cast iron EN-GJL-250	
		Impeller	Cast-iron EN-GJS-400	
		Suction Cover	Cast iron EN-GJL-250	
		Shaft	Stainless Steel AISI 420B/431	
		Motor frame	Cast iron EN-GJL-250	
Fasteners		A2 class - AISI 304		
Mechanical seal		SiC Ceramic/Graphite Nitrile Lubricant: AGIP ITE 360	Impeller side Motor side O-rings and lip seal	
Accessories	Standard	Screwed flange square type Discharge threaded elbow Quick Discharge Connector (QDC): PA type		
Applicable standard of test		ISO 9906 Annex A		
MOTOR	Type	Three Phase Dry motor, cooled by surrounding liquid		
	No. of Poles	2		
	Rotation speed [min ⁻¹]	2850		
	Insulation Class	H		
	Protection degree	IP 68		
	Power Rating [kW]	7.5 ÷ 25.1		
	Frequency [Hz]	50 -5/+3 %		
	Voltage [V]	400/690 ±10%		
	Starting	DOL - Y/Δ		
	Over load protection	Yes		
	Humidity probe	Yes		
	Floating switch	-		
	Cable	material	Neoprene H07RN/F	
		length [m]	10	
		size [mm]	12G1.5 12G2.5 2x4G10+4G2.5	65DRS57.5T2BG 65DRS520T2BG, 65DRS522.4T2AG, 65DRS525.1T2AG
Bearings		Overdimensioned, life lubricated, maintenance free		

		65-80DRD		
PUMP	Type of liquid	Dirty Waters		
	Max Temp. [°C]	<40°		
	Max solids size [mm]	30		
	Submergence	Max [m]	20	
		Min [m]	Refer to low water level (L.W.L.) and usage restriction in dimension	
	Construction	Impeller	With channels	
		Shaft seal type	Oil lubricated, single spring single mechanical seal + Lip Seal	
	Connection	Suction (*According to EN 1092-2) [mm]	DN80* 65DRD53.1T2CG, 65DRD53.6T2BG, 80DRD55T2BG, 80DRD56T2AG DN100* 80DRD57.5T2AG**	
		Discharge (*According to EN 1092-2) [mm]	DN65* 65DRD53.1T2CG, 65DRD53.6T2BG DN80* 80DRD55T2BG, 80DRD56T2AG, 80DRD57.5T2AG**	
	Materials	Casing	Cast iron EN-GJL-250	
		Impeller	Cast-iron EN-GJS-250	
		Suction Cover	Cast iron EN-GJL-250	
		Shaft	Stainless Steel AISI 420B/431	
		Motor frame	Cast iron EN-GJL-250	
Fasteners		A2 class - AISI 304		
	Mechanical seal	SiC Ceramic/Graphite Nitrile Lubricant: AGIP ITE 360	Impeller side Motor side O-rings and lip seal	
Accessories	Standard	Screwed flange square type Discharge threaded elbow Quick Discharge Connector (QDC): PA type		
Applicable standard of test		ISO 9906 Annex A		
MOTOR	Type	Three Phase Dry motor, cooled by surrounding liquid (**available also with cooling jacket)		
	No. of Poles	2		
	Rotation speed [min ⁻¹]	2850		
	Insulation Class	H		
	Protection degree	IP 68		
	Power Rating [kW]	3.1 ÷ 7.5		
	Frequency [Hz]	50 -5/+3 %		
	Voltage [V]	400 ±10%	65DRD53.1T2CG, 65DRD53.6T2BG	400/690 ±10%
	Starting	DOL - Y/Δ		
	Over load protection	No	65DRD53.1T2CG, 65DRD53.6T2BG	Yes
	Humidity probe	No	65DRD53.1T2CG, 65DRD53.6T2BG	Yes
	Floating switch	-		
	Cable	material	Neoprene H07RN/F	
		length [m]	10	
size [mm]		4G2.5	12G1.5 12G2.5 80DRD57.5T2AG	
Bearings		Overdimensioned, life lubricated, maintenance free Overdimensioned double ball bearing with greasers		

		100DRD			
PUMP	Type of liquid	Dirty Waters			
	Max Temp. [°C]	<40°			
	Max solids size [mm]	40	100DRD512T2DG**, 100DRD514.9T2CG**, 100DRD516.6T2BG**, 100DRD518.2T2AG**, 100DRD520T2AG**		
		60	100DRD57.1T4BG**		
		80	100DRD52.7T6AG, 100DRD52.8T6AG, 100DRD54.6T4CG, 100DRD54.6T4BG, 100DRD57.5T4FG**, 100DRD510T4FG**, 100DRD510T4AG**		
	Submergence	Max [m]	20		
		Min [m]	Refer to low water level (L.W.L.) and usage restriction in dimension		
	Construction	Impeller	With channels		
		Shaft seal type	Oil lubricated, single spring single mechanical seal + Lip Seal		
	Connection	Suction (* According to EN 1092-2) [mm]	DN100*		
		Discharge (* According to EN 1092-2) [mm]	DN125*		
	Materials	Casing	Cast iron EN-GJL-250		
		Impeller	Cast-iron EN-GJS-250		
		Suction Cover	Cast iron EN-GJL-250		
		Shaft	Stainless Steel AISI 420B/431		
Motor frame		Cast iron EN-GJL-250			
Fasteners		A2 class - AISI 304			
Mechanical seal		SiC	Impeller side		
		Ceramic/Graphite	Motor side		
Accessories	Standard	Screwed flange square type			
		Discharge threaded elbow			
Applicable standard of test		Quick Discharge Connector (QDC): PA type			
		ISO 9906 Annex A			
MOTOR	Type	Three Phase			
		Dry motor, cooled by surrounding liquid (**available also with cooling jacket)			
	No. of Poles	2	4	6	
	Rotation speed [min ⁻¹]	2850	1450	950	
	Insulation Class	H			
	Protection degree	IP 68			
	Power Rating [kW]	12 + 20	4.6 + 10	2.7 + 2.8	
	Frequency [Hz]	50 -5/+3 %			
	Voltage [V]	400/690 ±10%	400 ±10	100DRD52.7T4CG 400/690 ±10%	
	Starting	DOL - Y/Δ			
	Over load protection	Yes	No	100DRD52.7T4CG Yes	
	Humidity probe	Yes	No	100DRD52.7T4CG Yes	
	Floating switch	-			
	Cable	material	Neoprene H07RN/F		
		length [m]	10		
size [mm]		12G1.5	100DRD54.6T4CG, 100DRD54.6T4BG	4G2.5 100DRD52.7T6AG 12G1.5 100DRD52.8T6AG	
Bearings		12G2.5	100DRD520T2AG**		
		10G4			
		Overdimensioned, life lubricated, maintenance free			
		Overdimensioned, double ball bearing with greasers (4 poles)			

		150DRD			
PUMP	Type of liquid	Dirty Waters			
	Max Temp. [°C]	<40°			
	Max solids size [mm]	50	150DRD540.2T2BG, 150DRD552T2CG, 150DRD535T2AG 150DRD560T4GG, 150DRD575T4CG, 150DRD580T4BG, 150DRD580T4AG		
		80	150DRD56T6CG, 150DRD58T6BG, 150DRD527T4AG, 150DRD530.1T4BG, 150DRD535.7T4AG		
		100	150DRD512T6AG, 150DRD514T6BG, 150DRD523T4CG, 150DRD527T4BG, 150DRD530T4BG, 150DRD535.7T4EG, 150DRD541T4AG		
	Submergence	Max [m]	20		
		Min [m]	Refer to low water level (L.W.L.) and usage restriction in dimension		
	Construction	Impeller	With channels		
		Shaft seal type	Oil lubricated, single spring single mechanical seal + Lip Seal		
	Connection	Suction (* According to EN 1092-2) [mm]	DN150*	150DRD560T4GG, 150DRD575T4CG, 150DRD580T4BG, 150DRD580T4AG	
		Discharge (* According to EN 1092-2) [mm]	DN150*		
	Materials	Casing	Cast iron EN-GJL-250		
		Impeller	Cast-iron EN-GJS-250		
		Suction Cover	Cast iron EN-GJL-250		
		Shaft	Stainless Steel AISI 420B/431		
Motor frame		Cast iron EN-GJL-250			
Fasteners		A2 class - AISI 304			
Mechanical seal		SiC	Impeller side		
		Ceramic/Graphite Nitrile Lubricant: AGIP ITE 360	Motor side O-rings and lip seal		
Accessories	Standard	Screwed flange square type Discharge threaded elbow Quick Discharge Connector (QDC): PA type			
Applicable standard of test		ISO 9906 Annex A			
MOTOR	Type	Three Phase Dry motor, cooled by surrounding liquid (Available also with cooling jacket)			
	No. of Poles	2	4	6	
	Rotation speed [min ⁻¹]	2850	1450	950	
	Insulation Class	H			
	Protection degree	IP 68			
	Power Rating [kW]	35 + 52	23 + 80	6 + 14	
	Frequency [Hz]	50 -5/+3 %			
	Voltage [V]	400/690 ±10%			
	Starting	DOL - Y/Δ			
	Over load protection	Yes			
	Humidity probe	Yes			
	Floating switch	-			
	Cable	material	Neoprene H07RN/F		
		length [m]	10		
		size [mm]	2x4G10+4G2.5 2x4G25+4G2.5	150DRD575T4CG, 150DRD580T4BG, 150DRD580T4AG	12G2.5 150DRD56T6CG, 150DRD58T6BG, 10G4 150DRD512T6AG, 150DRD514T6BG
Bearings	Overdimensioned, life lubricated, maintenance free Overdimensioned, double ball bearing with greasers (4 poles)				

		200DRD			
PUMP	Type of liquid	Dirty Waters			
	Max Temp. [°C]	<40°			
	Max solids size [mm]	102			
	Submergence	Max [m]	20		
		Min [m]	Refer to low water level (L.W.L.) and usage restriction in dimension		
	Construction	Impeller	With channels		
		Shaft seal type	Oil lubricated, single spring single mechanical seal + Lip Seal		
	Connection	Suction (*According to EN 1092-2) [mm]	DN200*		
		Discharge (*According to EN 1092-2) [mm]	DN200*		
	Materials	Casing	Cast iron EN-GJL-250		
		Impeller	Cast-iron EN-GJS-250		
		Suction Cover	Cast iron EN-GJL-250		
		Shaft	Stainless Steel AISI 420B/431		
		Motor frame	Cast iron EN-GJL-250		
		Fasteners	A2 class - AISI 304		
Mechanical seal	SiC Ceramic/Graphite Nitrile Lubricant: AGIP ITE 360	Impeller side Motor side O-rings and lip seal			
Accessories	Standard	Screwed flange square type Discharge threaded elbow Quick Discharge Connector (QDC): PA type			
Applicable standard of test		ISO 9906 Annex A			
MOTOR	Type	Three Phase Dry motor, cooled by surrounding liquid (Available also with cooling jacket)			
	No. of Poles	4	6	8	
	Rotation speed [min ⁻¹]	1450	950	750	
	Insulation Class	H			
	Protection degree	IP 68			
	Power Rating [kW]	40 ÷ 48	9.8 ÷ 23	6 ÷ 9.3	
	Frequency [Hz]	50 -5/+3 %			
	Voltage [V]	400/690 ±10%			
	Starting	DOL - Y/Δ			
	Over load protection	Yes			
	Humidity probe	Yes			
	Floating switch	-			
	Cable	material	Neoprene H07RN/F		
		length [m]	10		
		size [mm]	12G2.5 10G4	200DRD59.8T6CG 200DRD514T6BG, 200DRD514T6AG, 200DRD515.8T6CG, 200DRD518.9T6BG	10G4 12G2.5 200DRD56.2T8CG, 200DRD58T8AG
Bearings		Overdimensioned, life lubricated, maintenance free Overdimensioned, double ball bearing with greasers (4-8 poles)			

		250DRD		
PUMP	Type of liquid	Dirty Waters		
	Max Temp. [°C]	<40°		
	Max solids size [mm]	73	250DRD515T4AG	
		105		
	Submergence	Max [m]	20	
		Min [m]	Refer to low water level (L.W.L.) and usage restriction in dimension	
	Construction	Impeller	With channels	
		Shaft seal type	Oil lubricated, single spring single mechanical seal + Lip Seal	
	Connection	Suction (*According to EN 1092-2) [mm]	DN250*	
		Discharge (*According to EN 1092-2) [mm]	DN250*	
	Materials	Casing	Cast iron EN-GJL-250	
		Impeller	Cast-iron EN-GJS-250	
		Suction Cover	Cast iron EN-GJL-250	
		Shaft	Stainless Steel AISI 420B/431	
Motor frame		Cast iron EN-GJL-250		
Fasteners		A2 class - AISI 304		
	Mechanical seal	SiC Ceramic/Graphite Nitrile Lubricant: AGIP ITE 360	Impeller side Motor side O-rings and lip seal	
Accessories	Standard	Screwed flange square type Discharge threaded elbow Quick Discharge Connector (QDC): PA type		
Applicable standard of test		ISO 9906 Annex A		
MOTOR	Type	Three Phase Dry motor, cooled by surrounding liquid (Available also with cooling jacket)		
	No. of Poles	4	6	8
	Rotation speed [min ⁻¹]	1450	950	750
	Insulation Class	H		
	Protection degree	IP 68		
	Power Rating [kW]	15 + 85	23 + 39.2	12.4 + 19
	Frequency [Hz]	50 -5/+3 %		
	Voltage [V]	400/690 ±10%		
	Starting	DOL - Y/Δ		
	Over load protection	Yes		
	Humidity probe	Yes		
	Floating switch	-		
		material	Neoprene H07RN/F	
		length [m]	10	
Cable	size [mm]	2X4G25+4G2.5 10G4 250DRD515T4AG	10G4 2X4G10+4G2.5 250DRD517.1T8CG, 250DRD519T8AG, 250DRD523T6DG, 250DRD529T6CG, 250DRD539.2T6BG, 250DRD539.2T6AG	
		Overdimensioned, life lubricated, maintenance free Overdimensioned, double ball bearing with greasers (4-8 poles)		

SPECIFICATION: DRD (Dirty Waters/Waste Water Pump)

50 Hz

Rev. E

300DRD				
PUMP		Type of liquid	Dirty Waters	
		Max Temp. [°C]	<40°	
		Max solids size [mm]	50x140	
	Submergence	Max	[m]	20
		Min	[m]	Refer to low water level (L.W.L.) and usage restriction in dimension
	Construction	Impeller		With channels
		Shaft seal type		Oil lubricated, single spring single mechanical seal + Lip Seal
	Connection	Suction (*According to EN 1092-2)	[mm]	DN350*
		Discharge (*According to EN 1092-2)	[mm]	DN300*
	Materials	Casing		Cast iron EN-GJL-250
		Impeller		Cast-iron EN-GJS-250
		Suction Cover		Cast iron EN-GJL-250
		Shaft		Stainless Steel AISI 420B/431
		Motor frame		Cast iron EN-GJL-250
		Fasteners		A2 class - AISI 304
		Mechanical seal		SiC Impeller side Ceramic/Graphite Motor side Nitrile O-rings and lip seal Lubricant: AGIP ITE 360
Accessories	Standard		Screwed flange square type Discharge threaded elbow Quick Discharge Connector (QDC): PA type	
	Applicable standard of test		ISO 9906 Annex A	
MOTOR	Type		Three Phase Dry motor, cooled by surrounding liquid (Available also with cooling jacket)	
	No. of Poles		6 8	
	Rotation speed [min ⁻¹]		950 750	
	Insulation Class		H	
	Protection degree		IP 68	
	Power Rating [kW]		33.4 ÷ 65 21.8 ÷ 26.7	
	Frequency [Hz]		50 -5/+3 %	
	Voltage [V]		400/690 ±10%	
	Starting		DOL - Y/Δ	
	Over load protection		Yes	
	Humidity probe		Yes	
	Floating switch		-	
	Cable	material		Neoprene H07RN/F
		length [m]		10
		size [mm]		2X4G10+4G2.5 2X4G25+4G2.5 300DRD555.8T6BG, 300DRD565T6AG
Bearings			Overdimensioned, life lubricated, maintenance free Overdimensioned, double ball bearing with greasers (8 poles)	

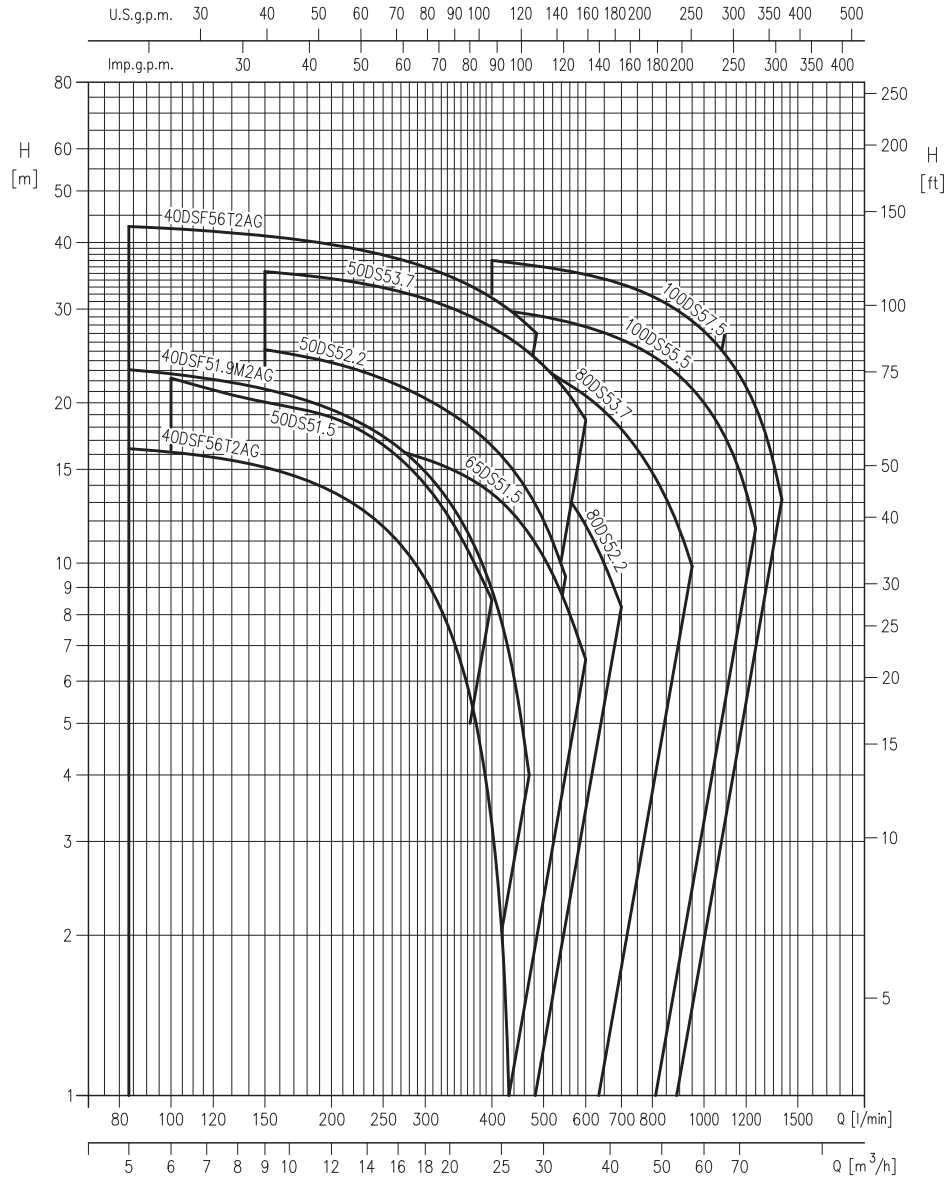
350DRD			
PUMP	Type of liquid	Dirty Waters	
	Max Temp. [°C]	<40°	
	Max solids size [mm]	112	
	Submergence	Max [m]	20
		Min [m]	Refer to low water level (L.W.L.) and usage restriction in dimension
	Construction	Impeller	With channels
		Shaft seal type	Oil lubricated, single spring single mechanical seal + Lip Seal
	Connection	Suction (*According to EN 1092-2) [mm]	DN400*
		Discharge (*According to EN 1092-2) [mm]	DN350*
	Materials	Casing	Cast iron EN-GJL-250
		Impeller	Cast-iron EN-GJS-250
		Suction Cover	Cast iron EN-GJL-250
		Shaft	Stainless Steel AISI 420B/431
		Motor frame	Cast iron EN-GJL-250
		Fasteners	A2 class - AISI 304
Mechanical seal	SiC Impeller side Ceramic/Graphite Motor side Nitrile O-rings and lip seal Lubricant: AGIP ITE 360		
Accessories	Standard	Screwed flange square type Discharge threaded elbow Quick Discharge Connector (QDC): PA type	
Applicable standard of test		ISO 9906 Annex A	
MOTOR	Type	Three Phase Dry motor, cooled by surrounding liquid (Available also with cooling jacket)	
	No. of Poles	8	
	Rotation speed [min ⁻¹]	750	
	Insulation Class	H	
	Protection degree	IP 68	
	Power Rating [kW]	40 ÷ 45	
	Frequency [Hz]	50 -5/+3 %	
	Voltage [V]	400/690 ±10%	
	Starting	DOL - Y/Δ	
	Over load protection	Yes	
	Humidity probe	Yes	
	Floating switch	-	
	Cable	material	Neoprene H07RN/F
length [m]		10	
size [mm]		2X4G25+4G2.5	
Bearings		Overdimensioned, double ball bearing with greasers	

SELECTION CHART

50 Hz

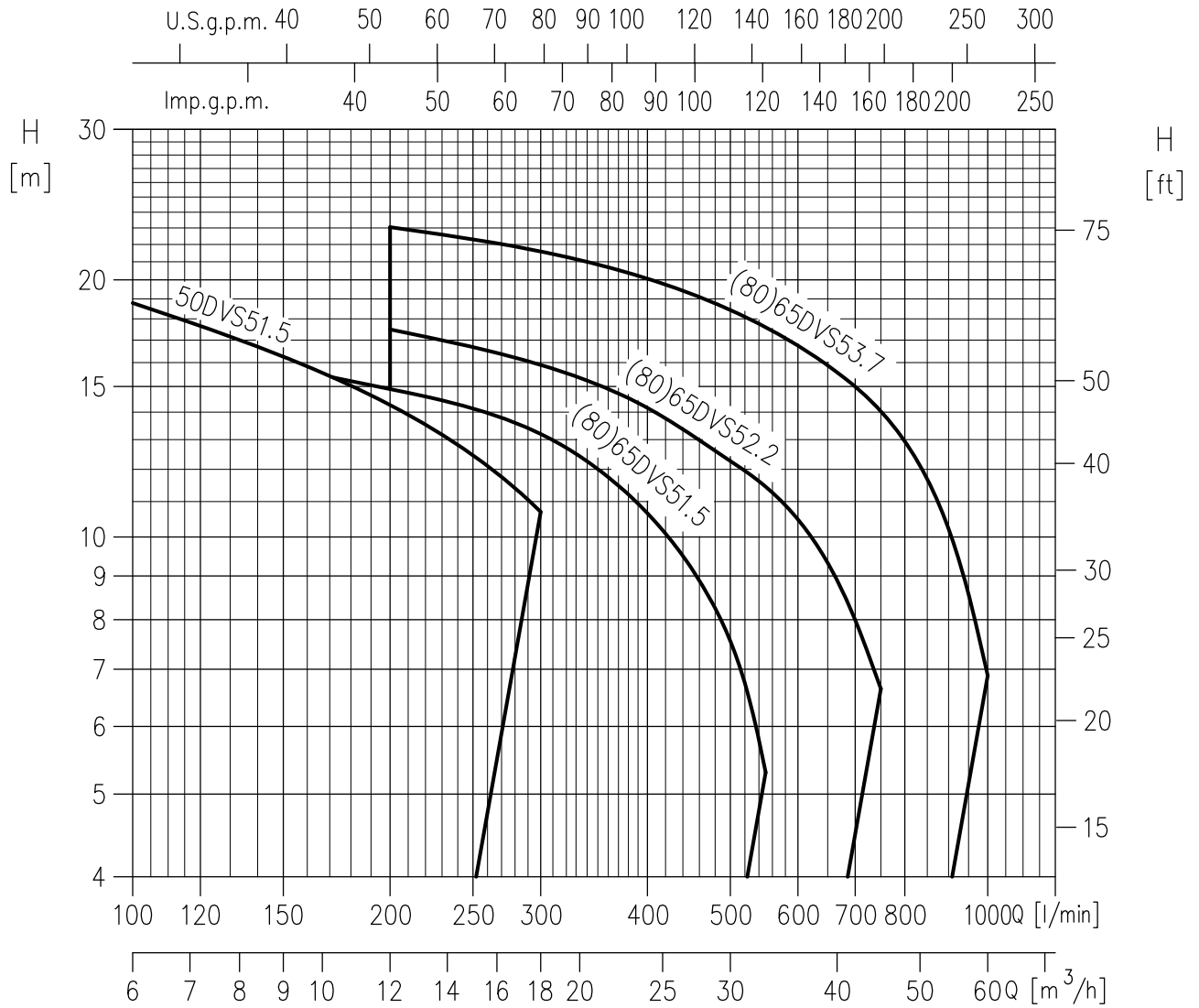
Rev. E

DS-DSF



Pump Type	Power		Q=Capacity																											
	[kW]	[HP]	l/min	83	100	150	200	250	300	400	433	450	467	473	483	500	550	580	600	700	800	950	1000	1170	1200	1250	1400			
			m ³ /h	0	6	9	12	15	18	24	26	27	28	28.4	29	30	33	34.8	36	42	48	57	60	70.2	72	75	84			
H=Total manometric head in meters																														
40DSF51.5M2CG	1.5	2	16.9	16.4	16.2	15.1	13.6	11.7	9.3	3.2	0.8	-	-	-	-	-	-	-	-	-	-	-	-	-	-	-	-	-		
40DSF51.9M2AG	1.9	2.5	24.6	23.1	22.7	21.2	19.4	17.3	14.8	8.9	6.6	5.4	4.2	-	-	-	-	-	-	-	-	-	-	-	-	-	-	-		
40DSF56T2AG	6	8	45	43	42.5	41	39.6	37.9	36	31.5	30	28.9	28	27.7	27.1	-	-	-	-	-	-	-	-	-	-	-	-	-		
50DS51.5	1.5	2	24	-	22.3	20.7	18.8	16.5	14	8.5	-	-	-	-	-	-	-	-	-	-	-	-	-	-	-	-	-	-		
50DS52.2	2.2	3	27	-	25.2	23.7	22.1	20.4	16.6	15.2	14.4	13.6	13.3	12.9	12	9.4	-	-	-	-	-	-	-	-	-	-	-	-		
50DS53.7	3.7	5	37.4	-	35.3	34.2	32.9	31.4	27.7	26.4	25.7	25.0	24.6	24.2	23.5	21.1	19.5	18.6	-	-	-	-	-	-	-	-	-	-		
65DS51.5	1.5	2	18	-	17.5	17.1	16.5	15.7	13.5	12.5	12	11	11.2	10.9	10.3	8.5	7.3	6.6	-	-	-	-	-	-	-	-	-	-		
80DS52.2	2.2	3	22	-	20.8	20.2	19.4	17.6	16.8	16.4	15.9	15.8	15.5	15	13.4	12.5	11.8	8.3	-	-	-	-	-	-	-	-	-	-		
80DS53.7	3.7	5	27.5	-	26.3	25.8	24.6	24.0	23.7	23.5	23.3	23.1	22.8	21.8	21.2	20.6	17.8	14.8	9.9	-	-	-	-	-	-	-	-	-		
100DS55.5	5.5	7.5	31.6	-	-	-	-	30.7	30	30	29.5	29.4	29.3	29.2	29	28.4	28	27.8	26.3	24.5	21.3	20.0	14.8	13.6	11.6	-	-			
100DS57.5	7.5	10	39.2	-	-	-	-	-	37	37	36.6	36.4	36.3	36.2	36	35.5	35.1	34.8	33.4	31.7	28.5	27.3	22.5	21.4	19.7	13.2	-			

DVS



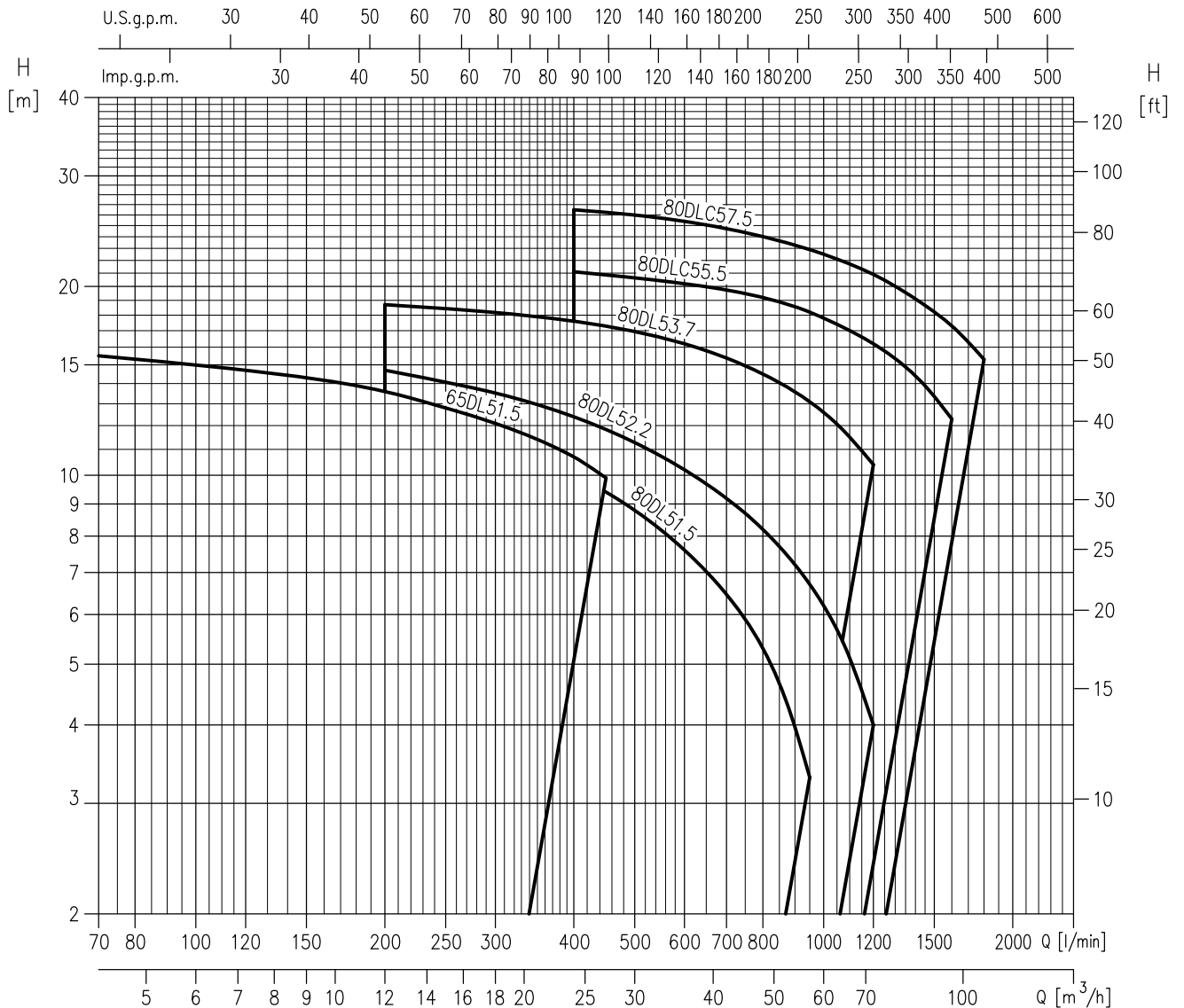
Pump Type	Power		Q=Capacity													
	[kW]	[HP]	l/min 0	100	150	200	300	400	500	550	600	700	750	900	1000	
			H=Total manometric head in meters													
			m³/h 0	6	9	12	18	24	30	33	36	42	45	54	60	
50DVS51.5	1.5	2	22.0	18.8	16.6	14.3	10.7	-	-	-	-	-	-	-	-	
(80)65DVS51.5	1.5	2	18.6	-	15.8	14.9	13.2	10.9	7.6	5.3	-	-	-	-	-	
(80)65DVS52.2	2.2	3	20.3	-	-	17.5	15.9	14.2	12.3	11.5	10.5	8.1	6.6	-	-	
(80)65DVS53.7	3.7	5	25.7	-	-	23.0	21.6	20.1	18.4	17.6	16.7	15.0	14.0	10.4	6.9	

SELECTION CHART

50 Hz

Rev. E

65DL, 80DL



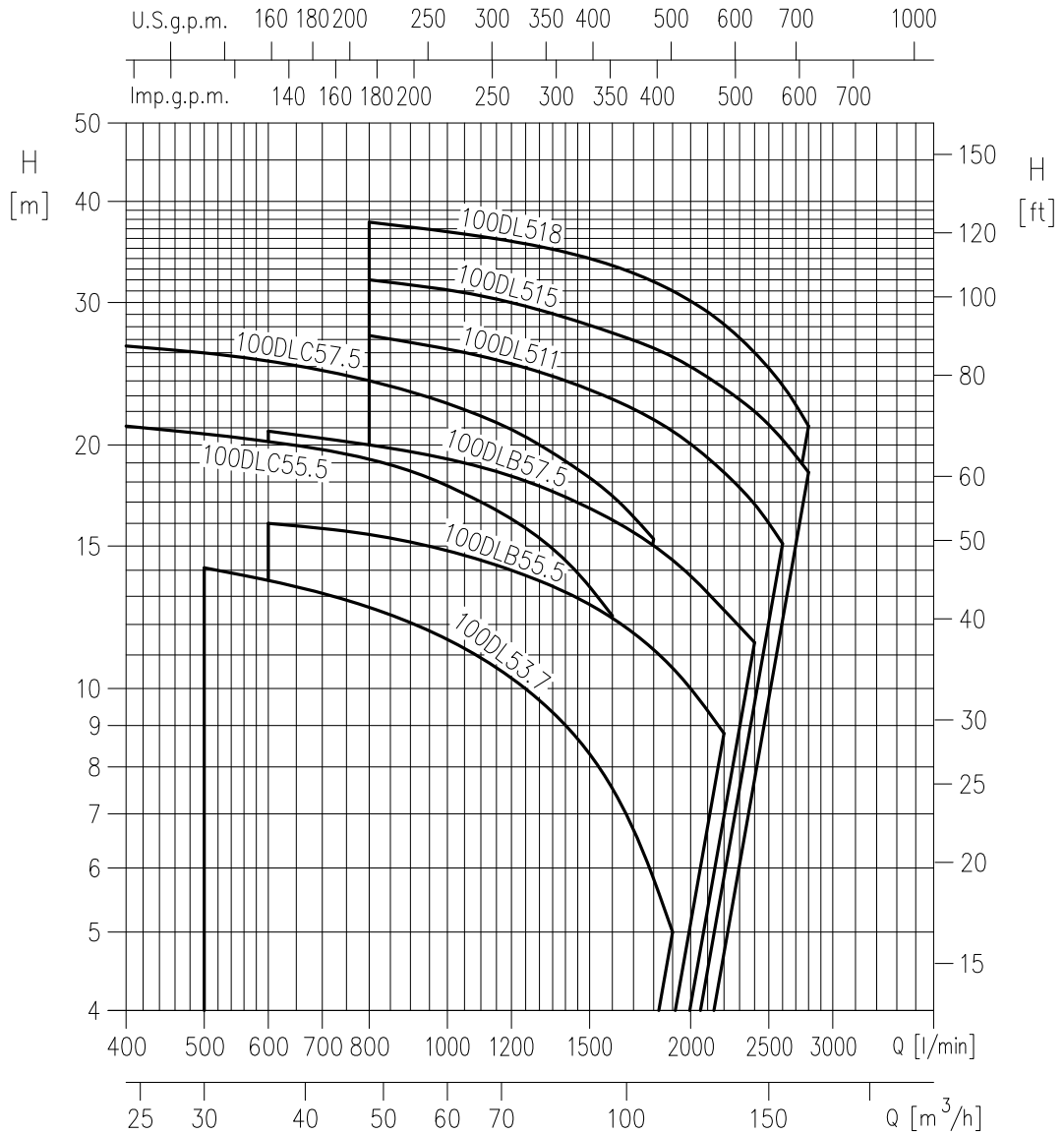
Pump Type	Power		Q=Capacity													
	[kW]	[HP]	l/min	70	150	200	400	450	600	800	950	1000	1200	1400	1600	1800
			m³/h	4	9	12	24	27	36	48	57	60	72	84	96	108
H=Total manometric head in meters																
65DL51.5	1.5	2	16.4	15.5	14.3	13.6	10.7	9.9	-	-	-	-	-	-	-	-
80DL51.5	1.5	2	14.0	-	-	12.2	10.0	9.4	7.6	5.3	3.3	-	-	-	-	-
80DL52.2	2.2	3	17.1	-	-	14.7	12.4	11.8	10.2	8.2	6.7	6.2	4.0	-	-	-
80DL53.7	3.7	5	19.4	-	-	18.7	17.6	17.3	16.2	14.5	13.1	12.6	10.4	-	-	-
80DLC55.5	5.5	7.5	22.2	-	-	-	21.1	20.9	20.2	19.2	18.2	17.8	16.2	14.4	12.3	-
80DLC57.5	7.5	10	28.0	-	-	-	26.5	26.3	25.4	24.0	22.9	22.5	20.9	19.1	17.3	15.3

SELECTION CHART

50 Hz

Rev. E

100DL



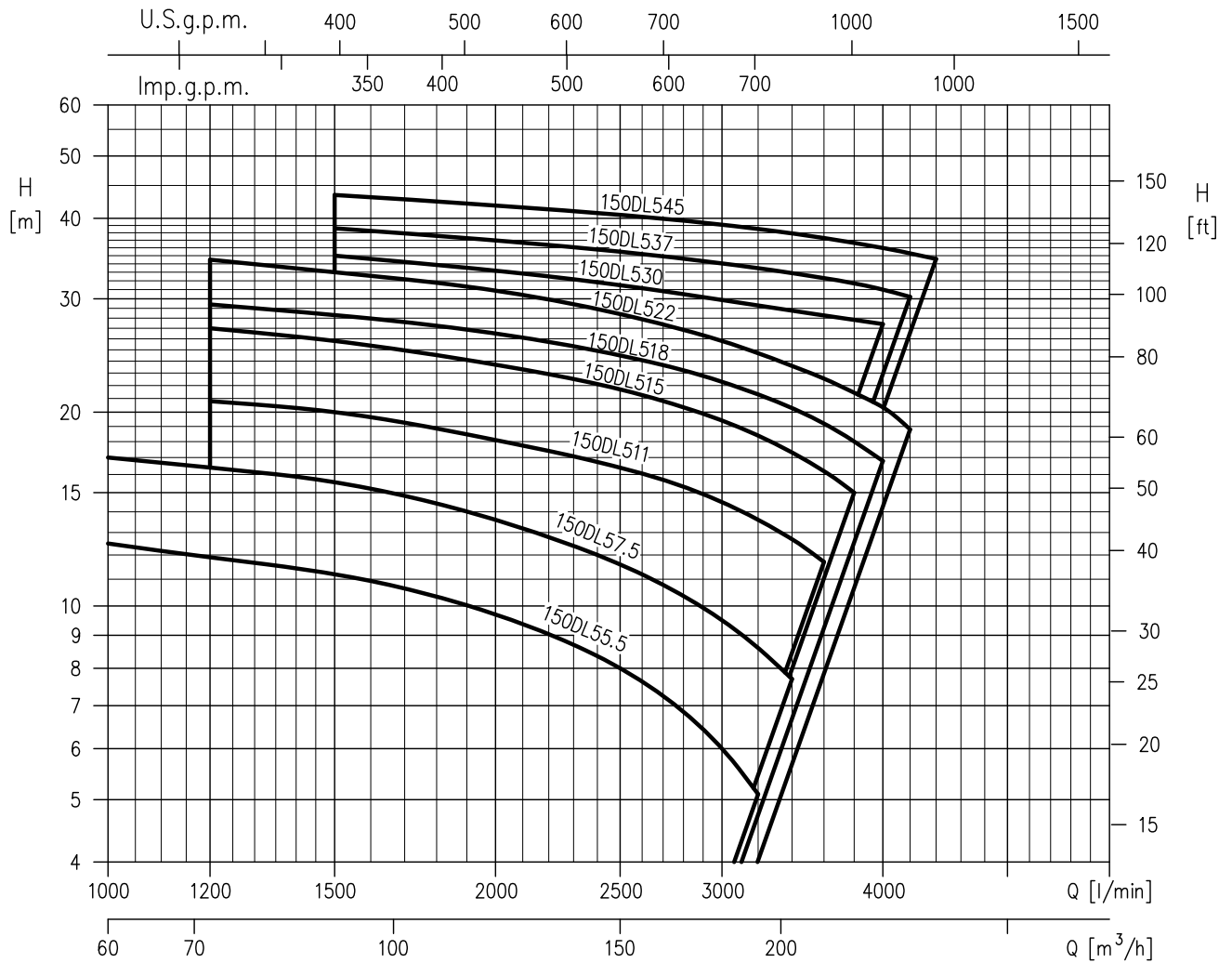
Pump Type	Power		Q=Capacity														
	[kW]	[HP]	l/min	0	400	500	600	800	1200	1500	1600	1800	1900	2200	2400	2600	2800
			m³/h	0	24	30	36	48	72	90	96	108	114	132	144	156	168
H=Total manometric head in meters																	
100DLC55.5	5.5	7.5	22.2	21.1	20.7	20.2	19.2	16.2	13.3	12.3	-	-	-	-	-	-	-
100DLC57.5	7.5	10	28.0	26.5	25.9	25.4	24.0	20.9	18.3	17.3	15.3	-	-	-	-	-	-
100DL53.7	3.7	5	16.0	-	14.1	13.6	12.6	10.3	8.3	7.5	5.9	5.0	-	-	-	-	-
100DLB55.5	5.5	7.5	17.0	-	-	16.0	15.5	14.0	12.7	12.2	11.1	10.6	8.8	-	-	-	-
100DLB57.5	7.5	10	22.5	-	-	20.8	20.0	18.3	16.7	16.1	15.1	15.0	12.5	11.4	-	-	-
100DL511	11	15	30.4	-	-	-	27.3	25.2	23.4	22.8	21.5	20.8	18.5	16.9	15.1	-	-
100DL515	15	20	33.9	-	-	-	32.0	30.0	28.1	27.6	26.4	25.7	23.5	22.0	20.3	18.5	-
100DL518.5	18.5	25	41.0	-	-	-	37.7	35.7	34.0	33.4	31.9	31.0	28.2	26.0	23.7	21.1	-

SELECTION CHART

50 Hz

Rev. E

150DL



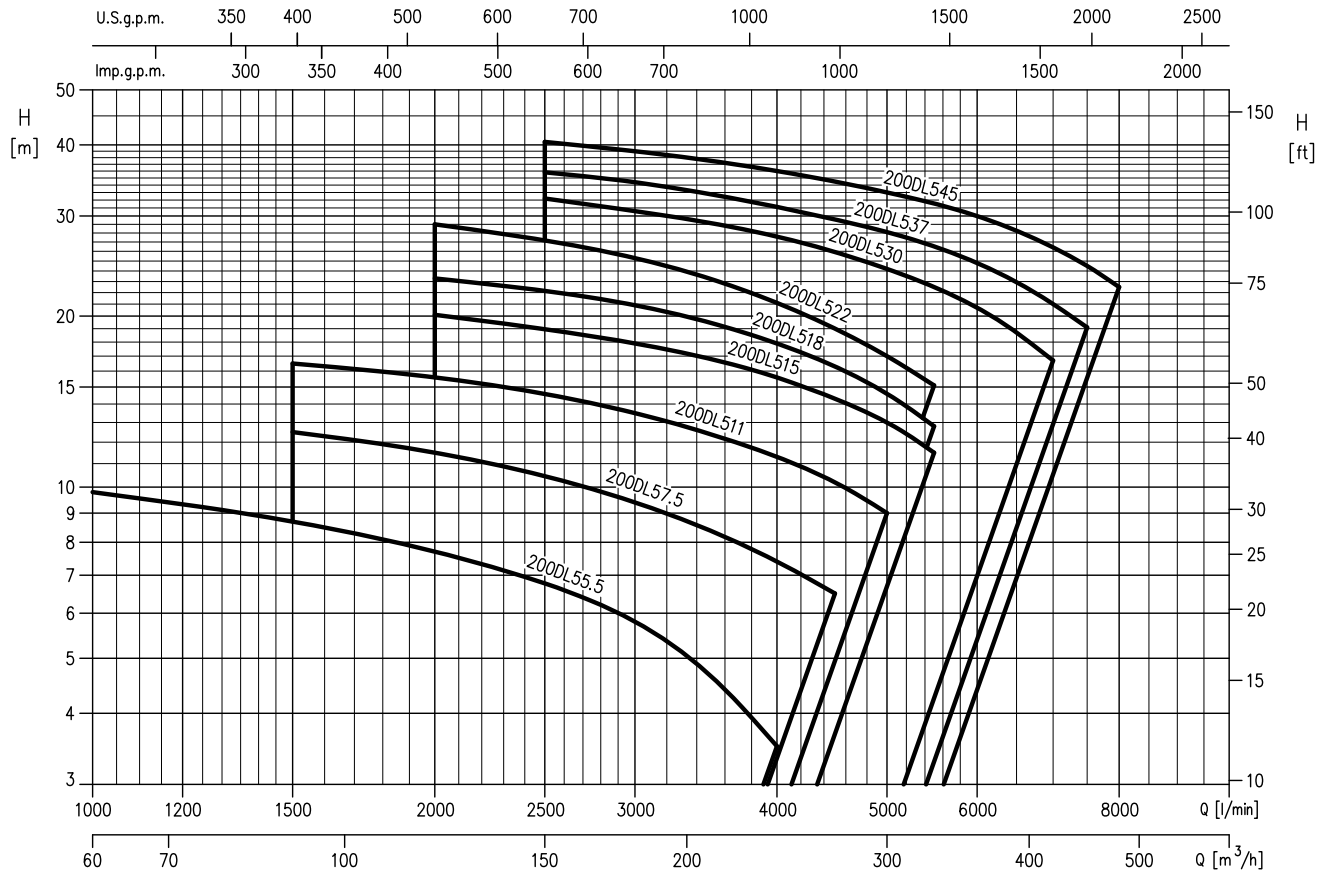
Pump Type	Power		Q=Capacity														
			l/min	1000	1200	1500	2000	2500	3000	3200	3400	3500	3600	3800	4000	4200	4400
	[kW]	[HP]	0	60	72	90	120	150	180	192	204	210	216	228	240	252	264
			H=Total manometric head in meters														
150DL55.5	5.5	7.5	15.8	12.5	11.9	11.2	9.7	8.0	6.0	5.1	-	-	-	-	-	-	-
150DL57.5	7.5	10	19.6	17.0	16.4	15.2	13.6	11.6	9.5	8.6	7.7	-	-	-	-	-	-
150DL511	11	15	24.7	-	20.8	20.0	18.1	16.4	14.5	13.6	12.7	12.2	11.7	-	-	-	-
150DL515	15	20	31.4	-	27.0	25.8	23.7	21.7	19.4	18.4	17.3	16.8	16.2	15.0	-	-	-
150DL518.5	18.5	25	32.5	-	29.4	28.3	26.5	24.5	22.3	21.3	20.3	19.8	19.2	18.0	16.8	-	-
150DL522	22	30	38.7	-	34.5	33.0	30.9	28.4	25.8	24.7	23.6	23.0	22.4	21.2	20.5	18.8	-
150DL530	30	40	39.0	-	-	35.0	33.2	31.5	29.9	29.3	28.8	28.5	28.3	27.8	27.4	-	-
150DL537	37	50	43.0	-	-	38.6	37.0	35.5	34.1	33.5	32.9	32.6	32.3	31.7	31.0	30.2	-
150DL545	45	60	48.0	-	-	43.5	42.0	40.5	39.1	38.5	37.9	37.6	37.3	36.7	36.0	35.3	34.6

SELECTION CHART

50 Hz

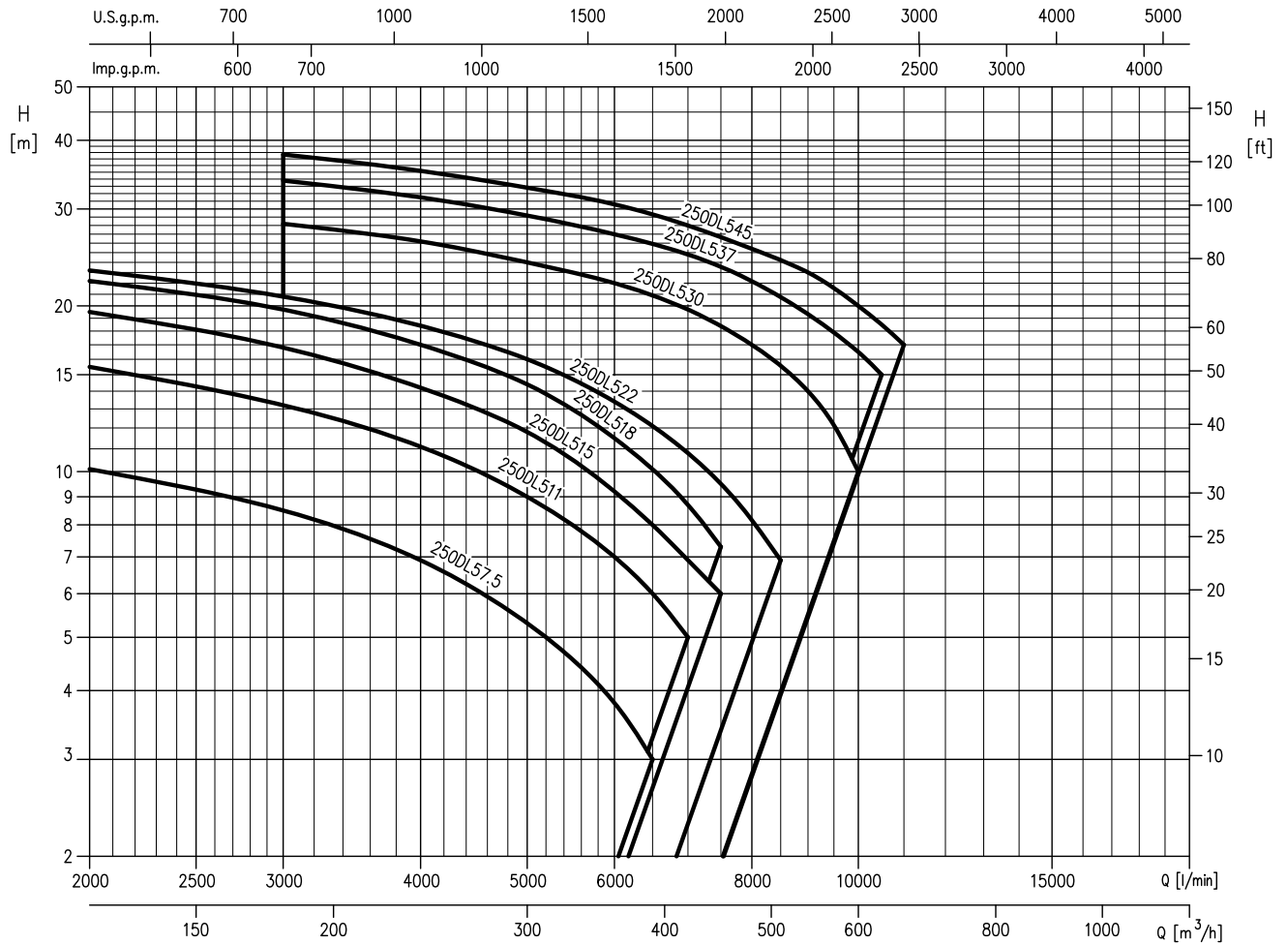
Rev. E

200DL



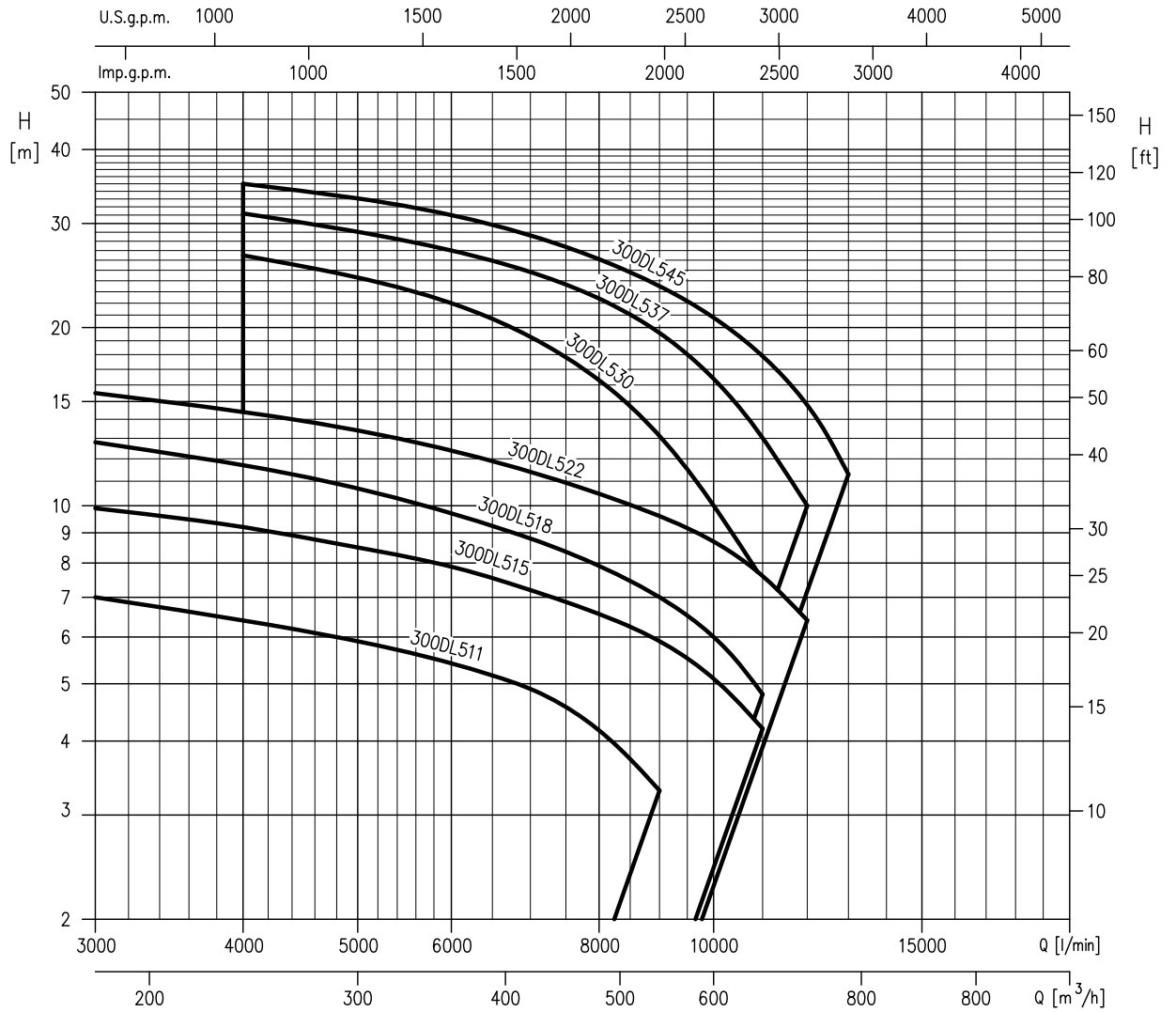
Pump Type	Power		Q=Capacity													
	[kW]	[HP]	l/min 0	1000	1500	2000	2500	3000	4000	4500	5000	5500	6000	7000	7500	8000
			m³/h 0	60	90	120	150	180	240	270	300	330	360	420	450	480
H=Total manometric head in meters																
200DL55.5	5.5	7.5	12.0	9.8	8.7	7.7	6.8	5.8	3.5	-	-	-	-	-	-	-
200DL57.5	7.5	10	15.5	-	12.5	11.5	10.5	9.4	7.4	6.5	-	-	-	-	-	-
200DL511	11	15	19.7	-	16.5	15.6	14.6	13.5	11.3	10.2	9.0	-	-	-	-	-
200DL515	15	20	23.9	-	-	20.1	19.0	17.9	15.6	14.3	13.0	11.5	-	-	-	-
200DL518.5	18.5	25	26.5	-	-	23.3	22.2	20.9	17.9	16.3	14.6	12.8	-	-	-	-
200DL522	22	30	34.9	-	-	29.0	27.2	25.3	21.1	19.0	17.0	15.1	-	-	-	-
200DL530	30	40	39.7	-	-	-	32.2	30.6	27.6	25.9	24.2	22.5	20.7	16.7	-	-
200DL537	37	50	43.0	-	-	-	35.8	34.4	31.1	29.6	28.1	26.5	24.8	21.0	19.1	-
200DL545	45	60	48.0	-	-	-	40.5	39.0	36.0	34.5	33.0	31.5	30.0	26.4	24.5	22.5

250DL



Pump Type	Power		Q=Capacity															
	[kW]	[HP]	l/min	0	2000	3000	4000	5000	6000	6500	7000	7500	8000	8500	9000	10000	10500	11000
			m ³ /h	0	120	180	240	300	360	390	420	450	480	510	540	600	630	660
			H=Total manometric head in meters															
250DL57.5	7.5	10	13.6	10.1	8.5	6.9	5.3	3.8	3.0	-	-	-	-	-	-	-	-	-
250DL511	11	15	20.2	15.5	13.2	11.1	9.0	7.0	6.0	5.0	-	-	-	-	-	-	-	-
250DL515	15	20	25.2	19.5	16.8	14.2	11.8	9.2	8.0	6.9	6.0	-	-	-	-	-	-	-
250DL518.5	18.5	25	27.0	22.2	19.7	17.0	14.4	11.5	10.1	8.7	7.3	-	-	-	-	-	-	-
250DL522	22	30	27.8	23.2	20.8	18.4	16.0	13.4	12.1	10.8	9.5	8.2	6.9	-	-	-	-	-
250DL530	30	40	36.0	-	28.2	26.2	24.0	22.0	20.9	19.7	18.4	17.0	15.6	14.0	10.0	-	-	-
250DL537	37	50	40.0	-	33.8	31.5	29.2	27.0	25.9	24.8	23.5	22.2	20.8	19.3	16.5	15.0	-	-
250DL545	45	60	45.0	-	37.7	35.2	32.8	30.6	29.3	28.0	26.7	25.4	24.2	23.0	20.0	18.5	17.0	-

300DL



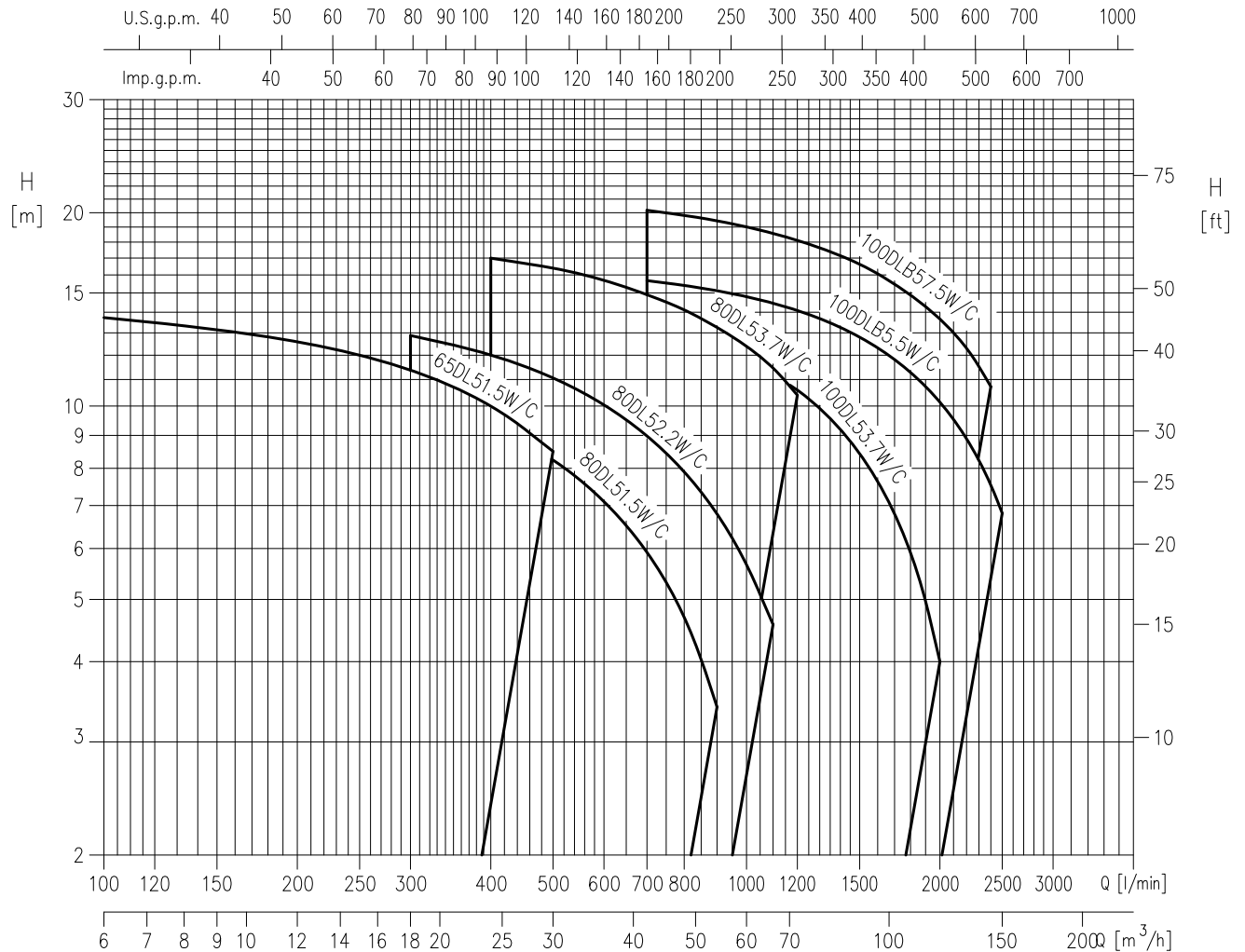
Pump Type	Power		Q=Capacity											
	[kW]	[HP]	l/min 0	3000	4000	5000	6000	7000	8000	9000	10000	11000	12000	13000
			m³/h 0	180	240	300	360	420	480	540	600	660	720	780
			H=Total manometric head in meters											
300DL511	11	15	9.2	7.0	6.4	5.9	5.5	4.9	4.2	3.3	-	-	-	-
300DL515	15	20	12.2	9.9	9.2	8.5	8.0	7.2	6.6	5.9	5.1	4.2	-	-
300DL518.5	18.5	25	16.6	12.8	11.7	10.7	9.7	8.8	7.9	7.0	6.0	4.8	-	-
300DL522	22	30	19.0	15.5	14.4	13.4	12.4	11.4	10.5	9.6	8.7	7.6	6.4	-
300DL530	30	40	36.0	-	26.5	24.4	22.0	19.3	16.3	13.1	10.0	7.5	-	-
300DL537	37	50	40.0	-	31.2	29.2	27.0	24.8	22.4	19.6	16.4	13.0	10.0	-
300DL545	45	60	45.0	-	35.0	33.1	31.0	28.6	26.1	23.5	20.8	17.9	14.8	11.3

SELECTION CHART

50 Hz

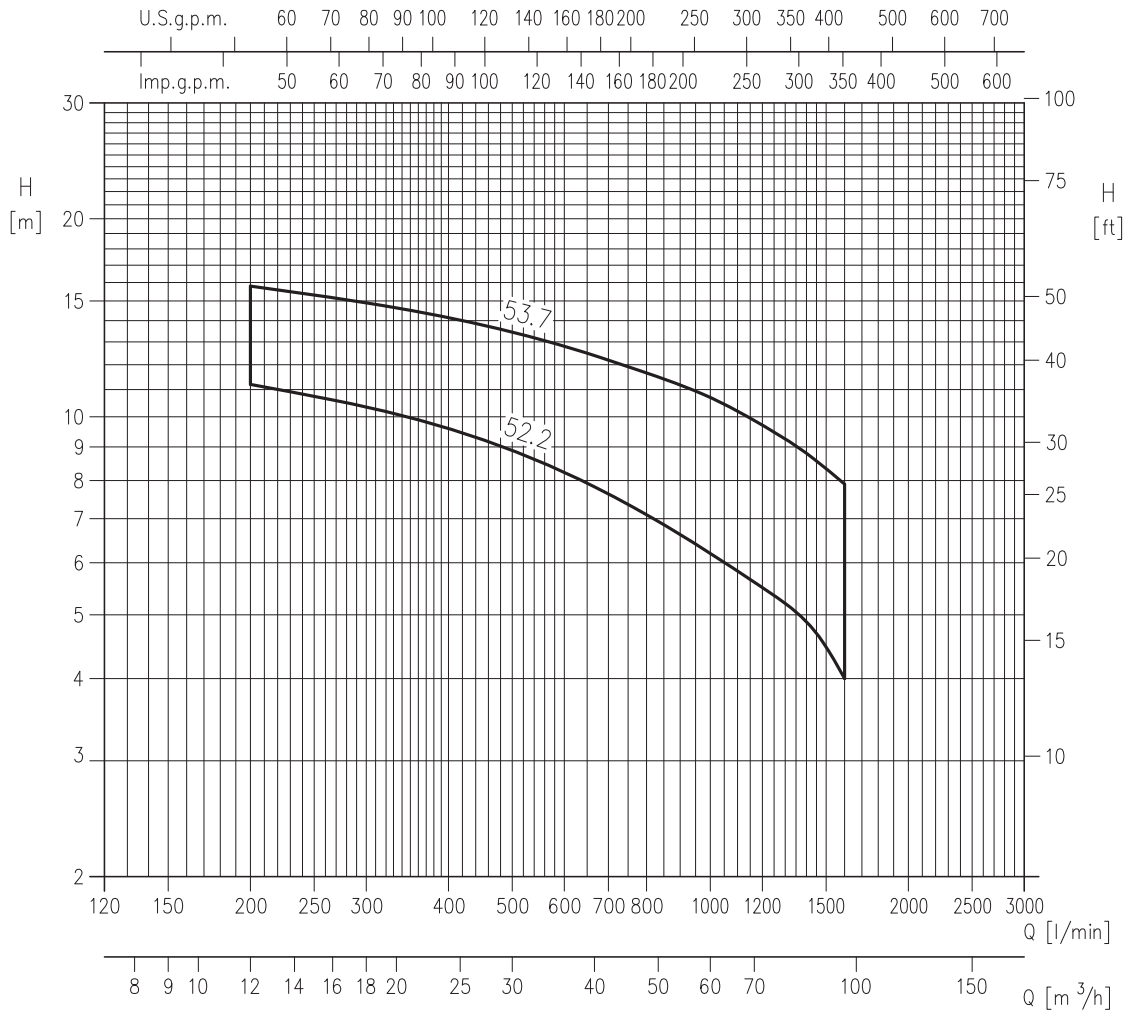
Rev. E

DL W/C



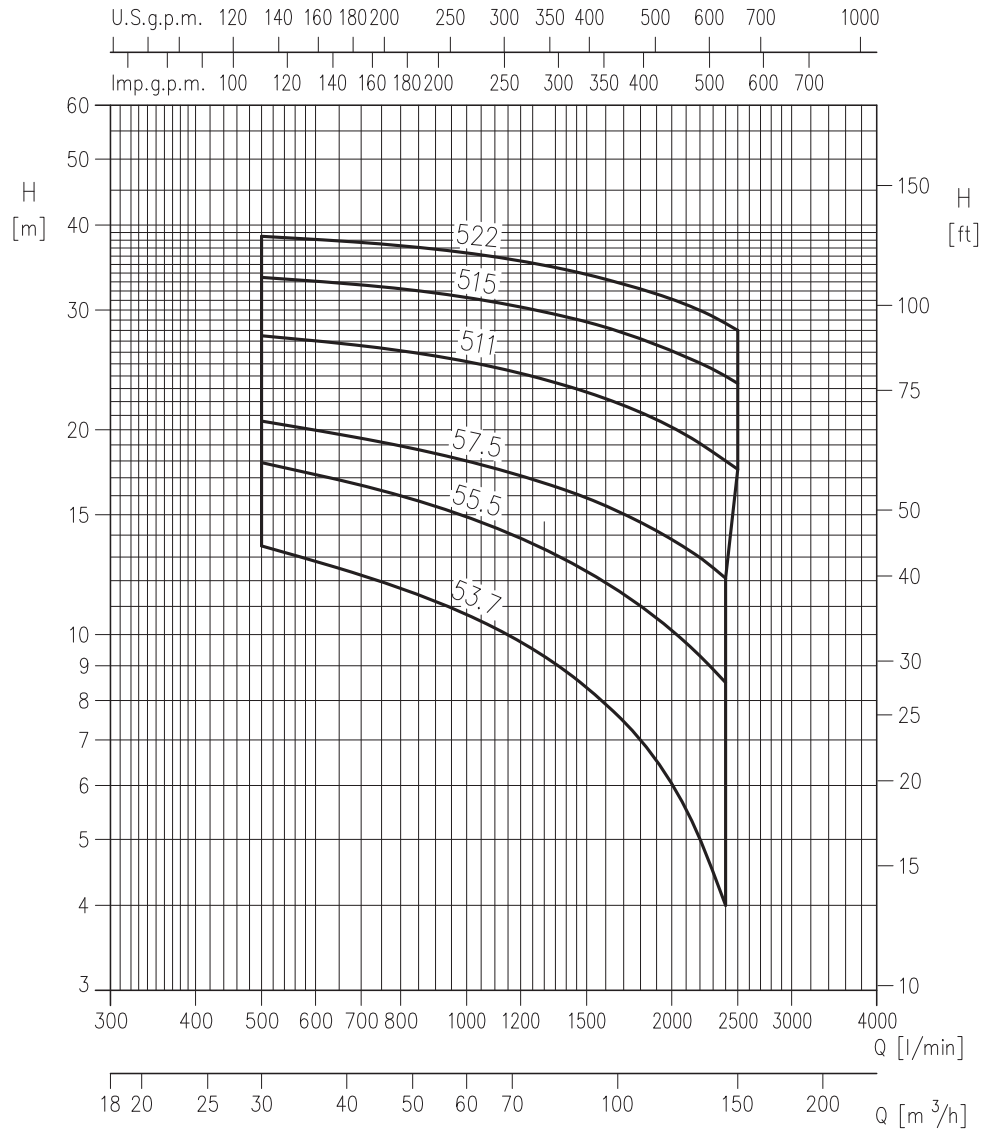
Pump Type	Power		Q=Capacity															
			l/min	100	250	300	400	500	700	900	1000	1100	1200	1400	1600	2000	2400	2500
	[kW]	[HP]	m³/h	6	15	18	24	30	42	54	60	66	72	84	96	120	144	150
H=Total manometric head in meters																		
65DL51.5W/C	1.5	2	14.8	13.7	12.0	11.4	10.0	8.5	-	-	-	-	-	-	-	-	-	-
80DL51.5W/C	1.5	2	12.7	-	10.7	10.3	9.3	8.2	5.9	3.4	-	-	-	-	-	-	-	-
80DL52.2W/C	2.2	3	15.2	-	-	12.9	12.0	11.1	9.0	6.8	5.7	4.6	-	-	-	-	-	-
80DL53.7W/C	3.7	5	18.5	-	-	-	17.0	16.4	14.9	13.4	12.6	11.6	10.4	-	-	-	-	-
100DL53.7W/C	3.7	5	16.1	-	-	-	-	14.1	13.1	12.2	11.7	11.2	10.6	9.2	7.6	4.0	-	-
100DLB55.5W/C	5.5	7.5	16.9	-	-	-	-	-	15.7	15.1	14.8	14.5	14.1	13.3	12.3	10.1	7.5	6.8
100DLB57.5W/C	7.5	10	22.5	-	-	-	-	-	20.2	19.4	19.0	18.6	18.1	17.2	16.1	13.7	10.7	-

80DML



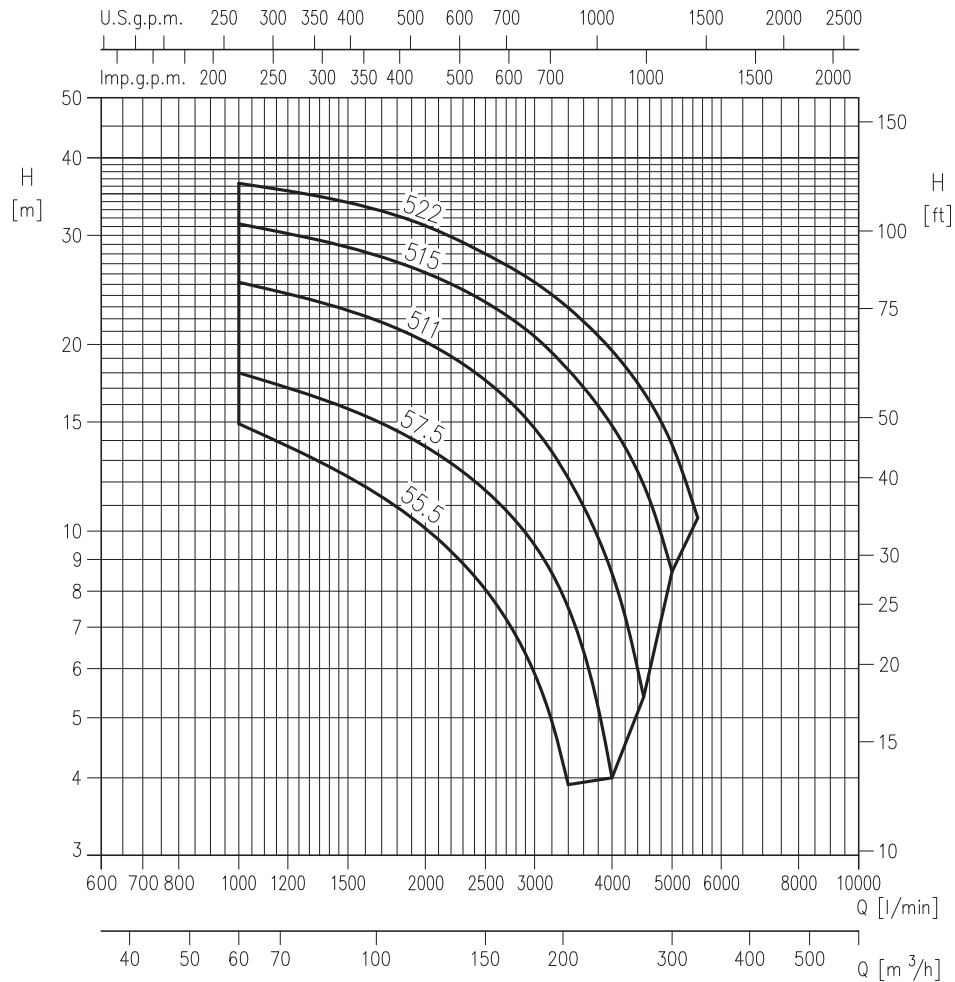
Pump Type	Power		Q= Capacity								
			[l/min]	0	200	400	600	800	1000	1200	1400
	[kW]	[HP]	[m³/h]	0	12	24	36	48	60	72	84
H=Total manometric head in meters											
80DML52.2	2.2	3	13.1	11.2	9.6	8.2	7.1	6.2	5.5	4.9	4
80DML53.7	3.7	5	17.9	15.8	14.2	12.8	11.7	10.7	9.7	8.8	7.9

100DML



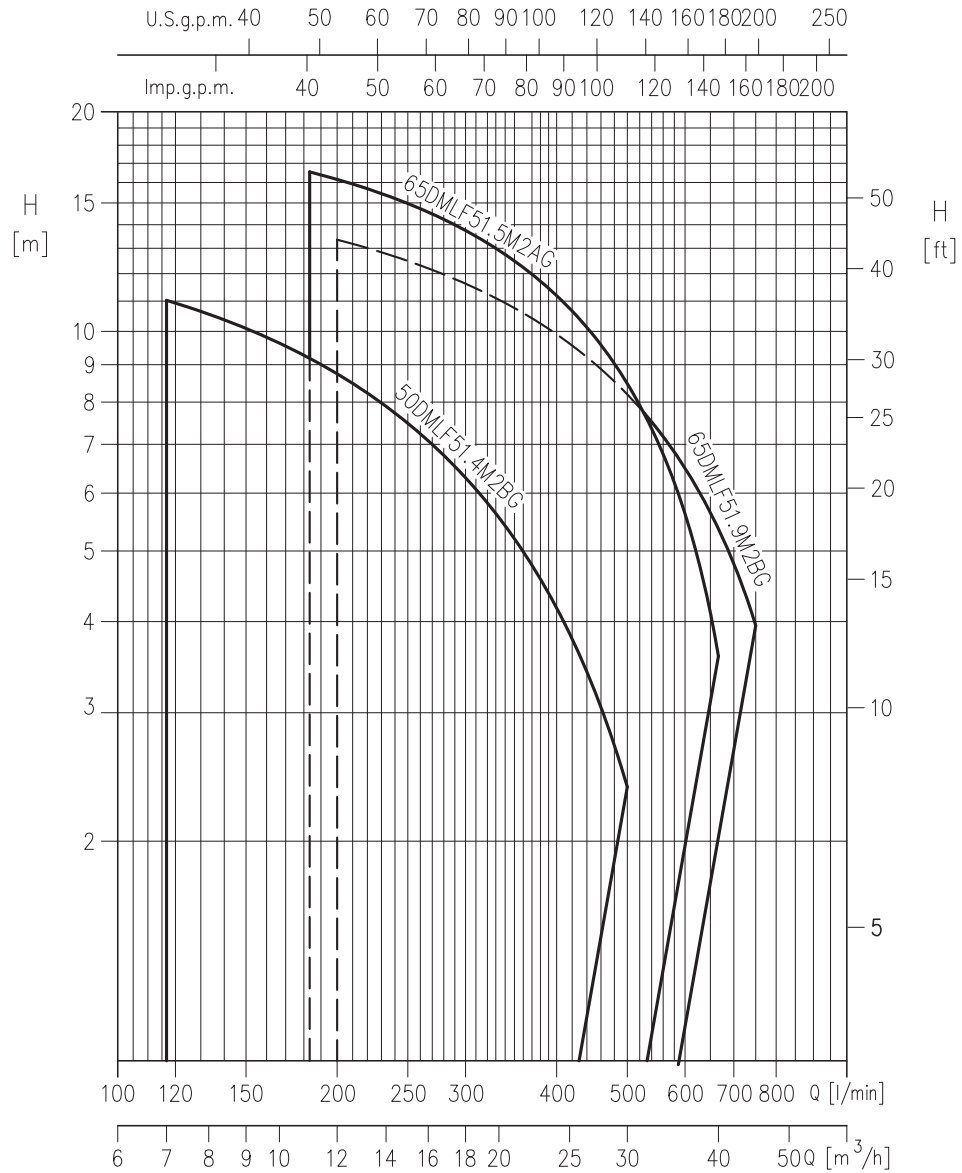
Pump Type	Power		Q= Capacity									
			[l/min]	0	500	1000	1300	1600	1900	2200	2400	2500
	[kW]	[HP]	[m³/h]	0	30	60	78	96	114	132	144	150
H=Total manometric head in meters												
100DML53.7	3.7	5	17.9	13.5	10.7	9.3	7.9	6.5	5.0	4.0	-	-
100DML55.5	5.5	7.5	22.0	17.9	14.9	13.4	11.9	10.6	9.3	8.5	-	-
100DML57.5	7.5	10	25.3	20.6	18.0	16.7	15.5	14.2	13.0	12.1	-	-
100DML511	11	15	30.3	27.5	25.2	23.7	22.2	20.7	19.1	18.0	17.5	-
100DML515	15	20	35.0	33.5	31.3	29.8	28.3	26.7	25.1	24.0	23.4	-
100DML522	22	30	40.0	38.5	36.4	34.9	33.3	31.7	30.0	28.7	28.0	-

150DML



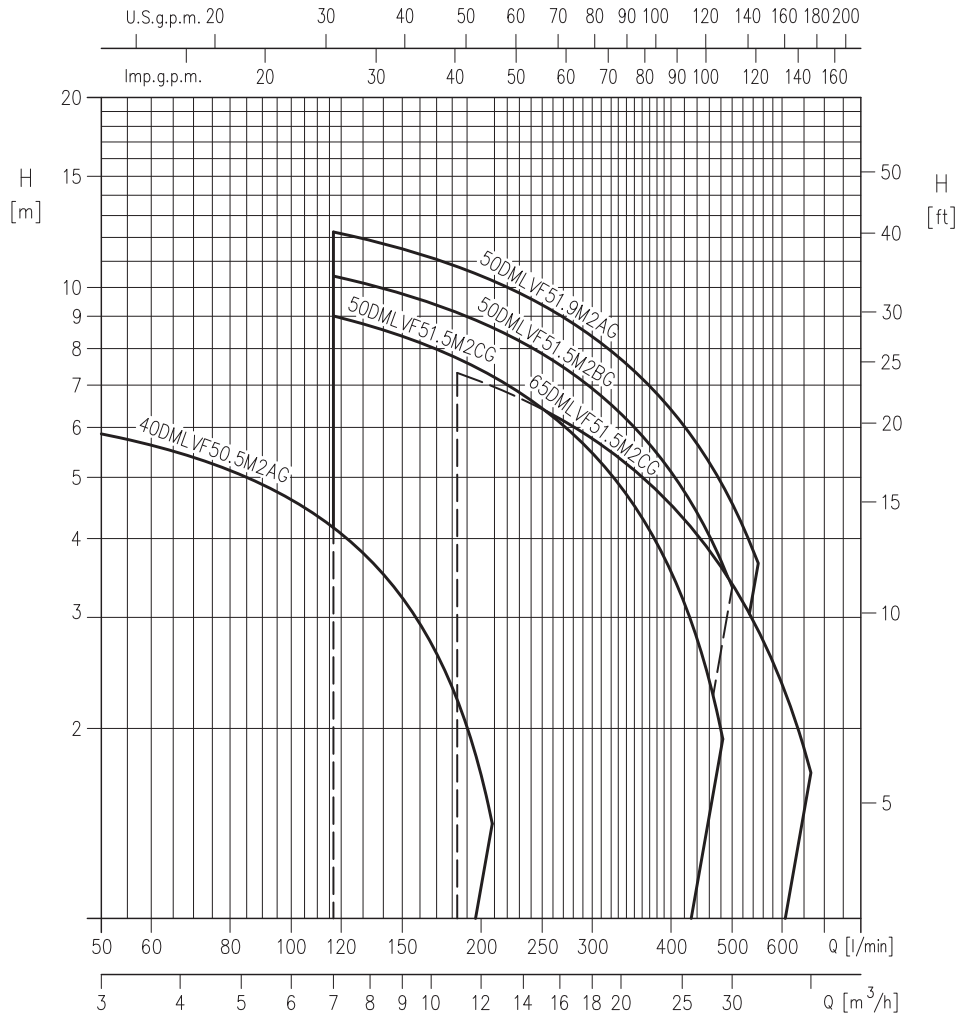
Pump Type	Power		Q= Capacity										
			[l/min]	0	1000	2000	2500	3000	3400	4000	4500	5000	5500
	[kW]	[HP]	[m³/h]	0	60	120	150	180	204	240	270	300	330
H=Total manometric head in meters													
150DML55.5	5.5	7.5	22.0	14.9	10.1	8.0	5.9	3.9	-	-	-	-	-
150DML57.5	7.5	10	25.3	18.0	13.7	11.6	9.5	7.5	4.0	-	-	-	-
150DML511	11	15	30.3	25.2	20.2	17.5	14.7	12.2	8.6	5.4	-	-	-
150DML515	15	20	35.0	31.3	26.1	23.4	20.6	18.2	14.8	11.9	8.6	-	-
150DML522	22	30	40.0	36.4	31.1	28.0	25.2	22.9	19.5	16.8	13.8	10.5	-

50-65DMLF



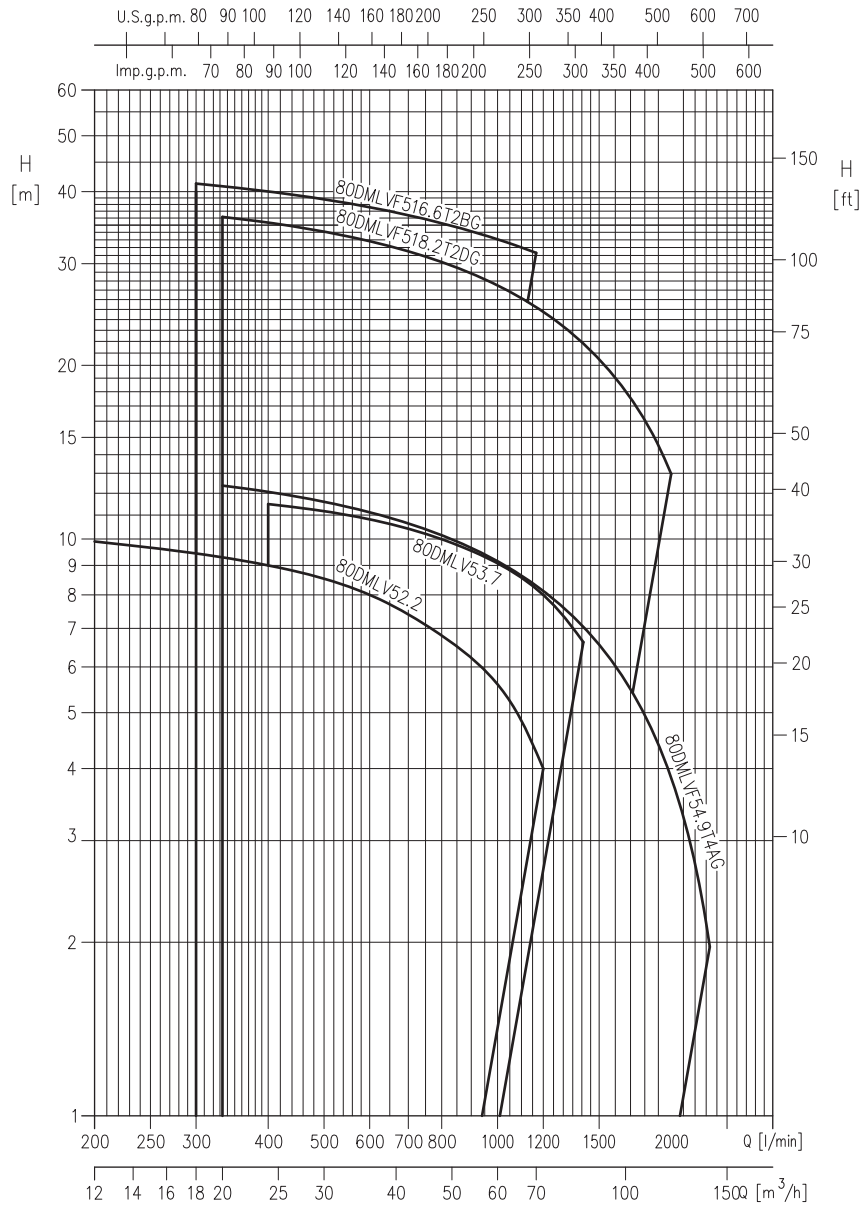
Pump Type	Power		Q=Capacity												
	[kW]	[HP]	l/min	0	117	183	200	300	350	400	500	600	667	750	
			m³/h	0	7	11	12	18	21	24	30	36	40	45	
H=Total manometric head in meters															
50DMLF51.4M2BG	1.4	1.9	14.6	11.0	9.2	8.7	6.3	5.2	4.2	2.4	-	-	-	-	
65DMLF51.5M2AG	1.5	2	20.5	-	16.5	16.2	13.7	12.5	11.2	8.5	5.6	3.6	-	-	
65DMLF51.9M2BG	1.9	2.5	16.8	-	-	13.4	11.6	10.8	9.9	8.2	6.5	5.4	4	-	

40-50-65 DMLVF



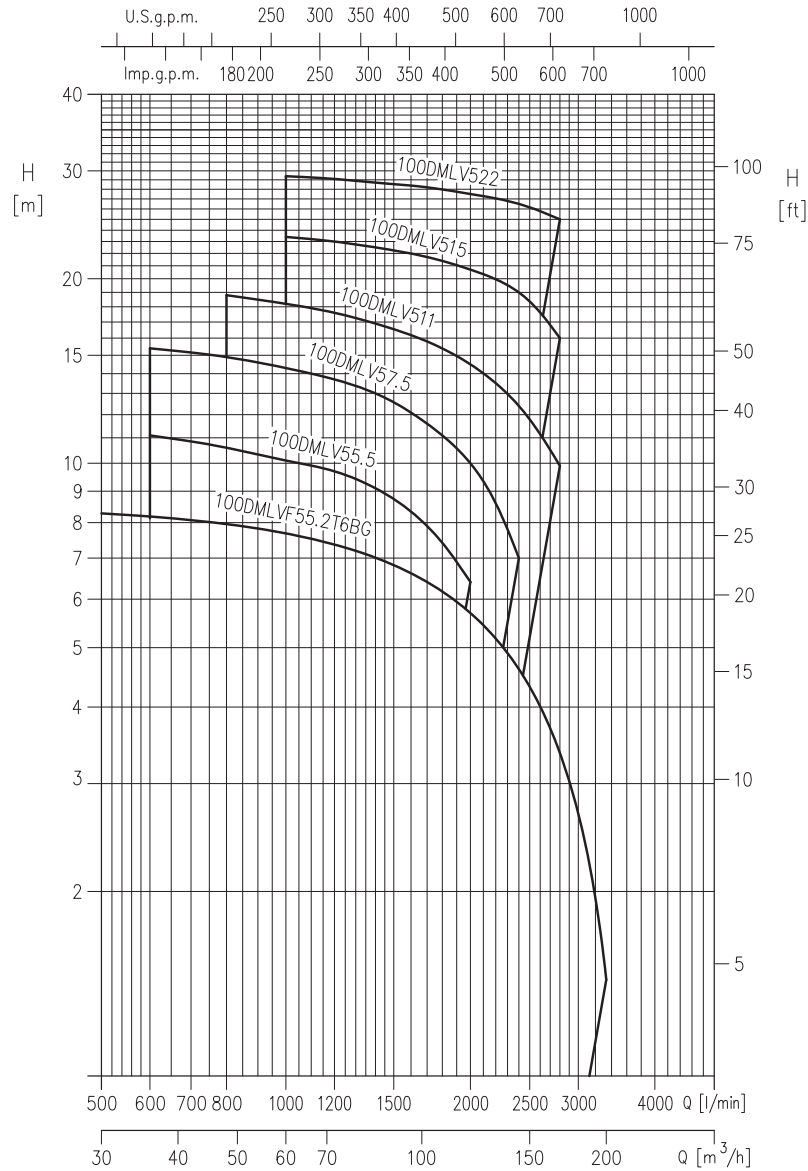
Pump Type	Power		Q=Capacity													
	[kW]	[HP]	l/min	0	50	117	183	208	250	300	350	400	483	500	550	667
			m³/h	0	3	7	11	12.5	15	18	21	24	29	30	33	40
H=Total manometric head in meters																
40DMLVF50.5M2AG	0.5	0.7	7.0	5.9	4.2	2.2	1.4	-	-	-	-	-	-	-	-	-
50DMLVF51.5M2CG	1.5	2	11.3	-	9	7.7	7.2	6.4	5.5	4.5	3.5	1.9	-	-	-	-
50DMLVF51.5M2BG	1.5	2	12.8	-	10.4	9.1	8.6	7.8	6.9	6.0	5.1	3.6	3.4	-	-	-
50DMLVF51.9M2AG	1.9	2.5	14.9	-	12.2	10.8	10.3	9.4	8.4	7.4	6.4	4.8	4.5	3.7	-	-
65DMLVF51.5M2CG	1.5	2	10.0	-	-	7.3	7.0	6.4	5.8	5.1	4.5	3.6	3.4	2.9	1.7	-

80DMLV- 80DMLVF

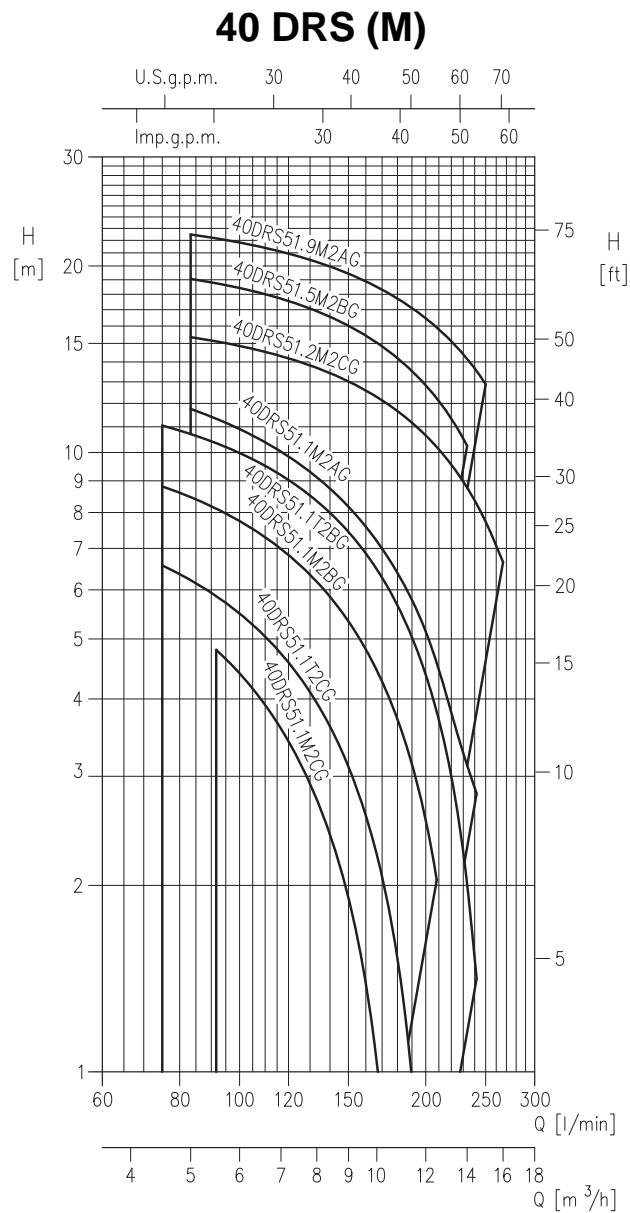


Pump Type	Power		Q=Capacity													
	[kW]	[HP]	l/min	200	300	333	400	600	900	1167	1200	1320	1400	2000	2100	2333
			m³/h	0	12	18	20	24	36	54	70	72	79	84	120	126
H=Total manometric head in meters																
80DMLV52.2	2.2	3	10.7	9.9	9.5	9.3	9.0	8	6.4	4.1	4	-	-			
80DMLV53.7	3.7	5	12.8	-	-	-	11.5	10.7	9.4	9.1	7.9	7.2	6.4			
80DMLVF54.9T4AG	4.9	6.6	13.9	-	-	12.4	12.1	11.1	9.6	8.3	8.1	7.5	7.1	3.8	3	2
80DMLVF516.6T2BG	16.6	22.3	45	-	41.3	40.9	40.0	37.6	34.2	31.3	-	-	-	-	-	-
80DMLVF518.2T2DG	18.2	24.4	40.2	-	-	36.2	35.4	32.8	28.9	25.2	24.8	23.1	21.9	13.0	-	-

100 DMLV - 100DMLVF

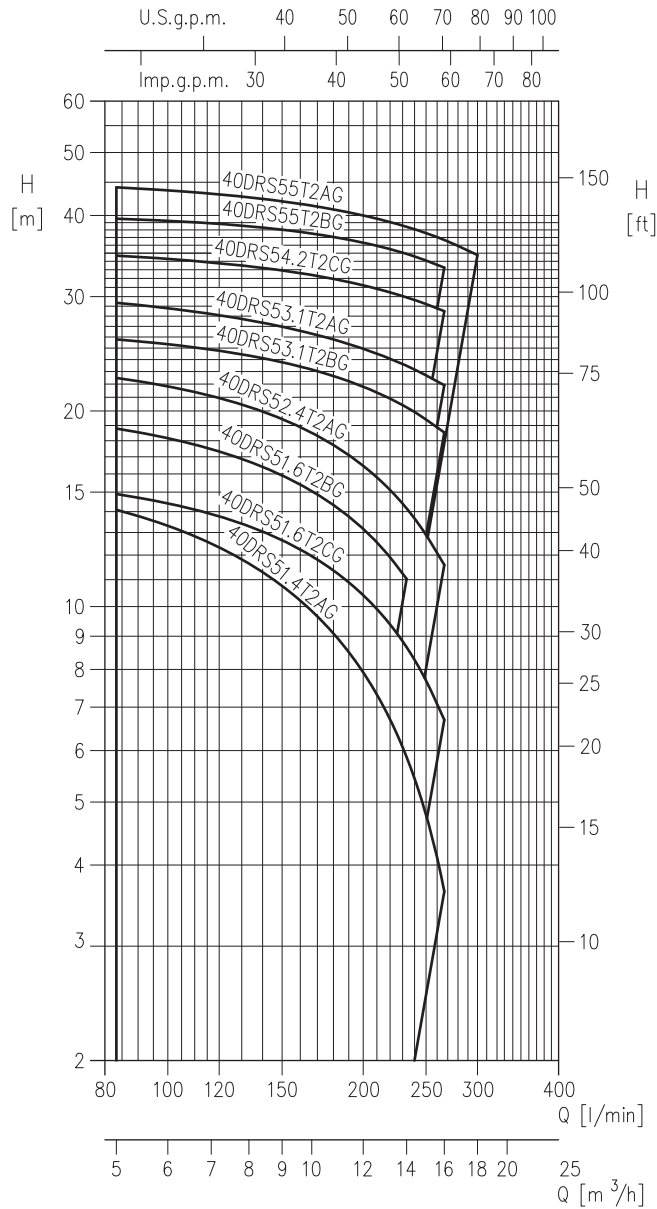


Pump Type	Power		Q=Capacity										
	[kW]	[HP]	l/min	500	600	800	1000	1200	1700	2000	2400	2800	3333
			m³/h	30	36	48	60	72	102	120	144	168	200
H=Total manometric head in meters													
100DMLVF55.2T6BG	5.2	7	8.6	8.3	8.2	8	7.7	7.4	6.4	5.7	4.6	3.4	1.4
100DMLV5,5	5.5	7.5	13.2	-	11.1	10.6	10.1	9.7	7.9	6.4	-	-	-
100DMLV57,5	7.5	10	16.8	-	15.4	14.9	14.3	13.7	11.6	10	7	-	-
100DMLV511	11	15	20.6	-	-	18.8	18.2	17.6	15.8	14.5	12.4	9.9	-
100DMLV515	15	20	24.9	-	-	-	23.4	23	21.7	20.7	19	16	-
100DMLV522	22	30	32.1	-	-	-	29.4	29.1	28.2	27.5	26.5	25	-



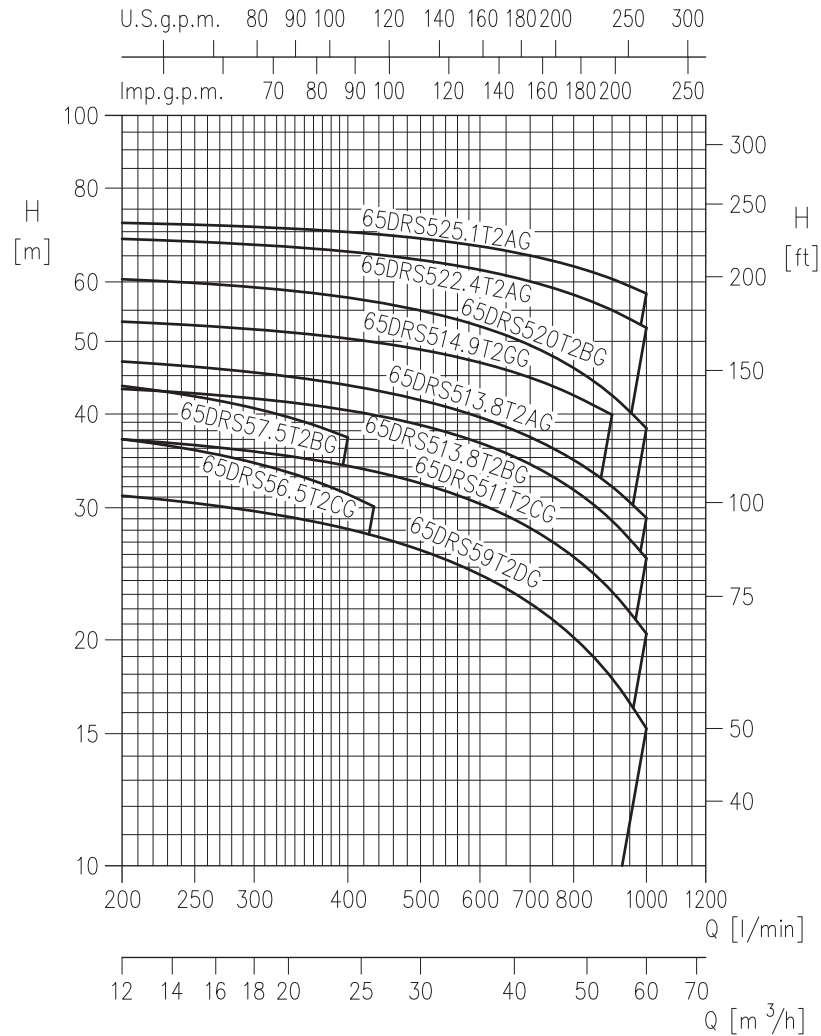
Pump Type DRS/A40	Power		Q=Capacity												
	[kW]	[HP]	l/min	0	75	83	92	150	175	200	208	233	242	250	267
			m³/h	0	4.5	5.0	5.5	9.0	10.5	12.0	12.5	14.0	14.5	15.0	16.0
H=Total manometric head in meters															
40DRS51.1M2CG	1.1	1.5	9	-	-	4.8	1.9	0.6	-	-	-	-	-	-	-
40DRS51.1M2BG	1.1	1.5	11.4	8.8	8.5	8.1	5.3	4	2.5	2	-	-	-	-	
40DRS51.1M2AG	1.1	1.5	15.5	-	11.8	11.3	8.2	6.7	5.1	4.6	3	2.4	-	-	
40DRS51.2M2CG	1.2	1.6	16.9	-	15.3	15.1	13	11.9	10.6	10.2	8.8	8.3	7.7	6.6	
40DRS51.5M2BG	1.5	2	20.9	-	19.1	18.7	16	14.5	12.8	12.2	10.3	-	-	-	
40DRS51.9M2AG	1.9	2.5	24.8	-	22.5	21.2	19.4	18	16.5	15.9	14.2	13.5	12.9	-	
40DRS51.1T2CG	1.1	1.5	9.3	6.6	6.2	5.9	3.1	1.8	0.4	-	-	-	-	-	
40DRS51.1T2BG	1.1	1.5	13.5	11	10.7	10.3	7.4	6	4.4	3.8	2	1.4	-	-	

40 DRS



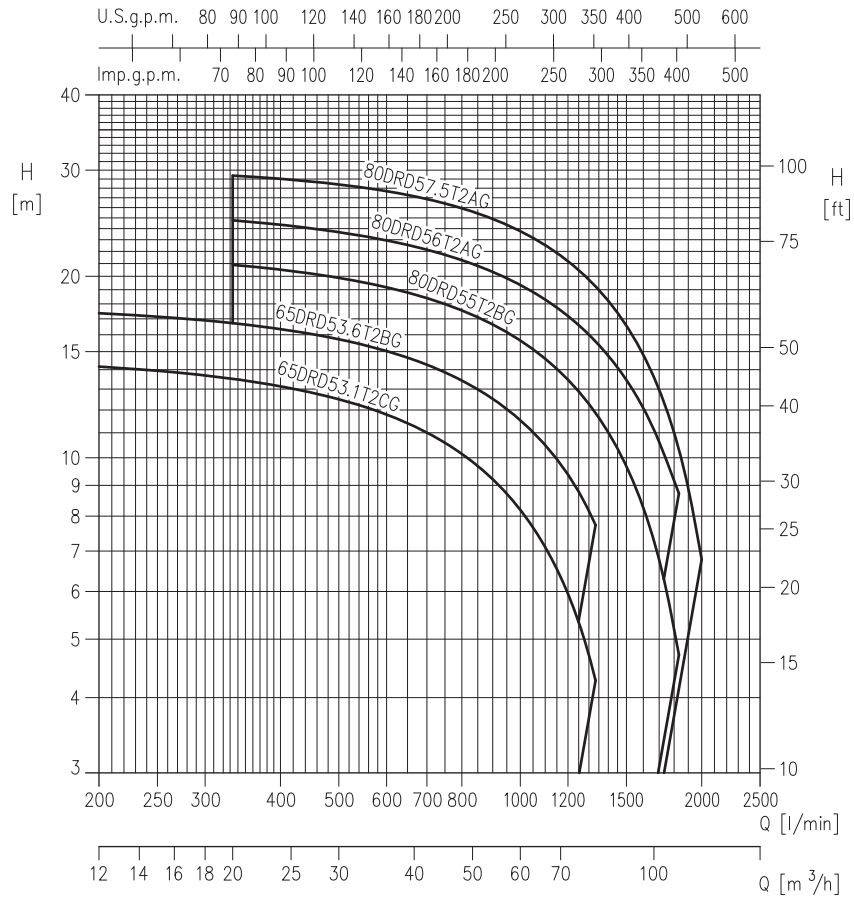
Pump Type DRS/A40	Power		Q=Capacity							
	[kW]	[HP]	l/min	83	150	200	233	267	300	
			m³/h	0	5.0	9.0	12.0	14.0	16.0	18.0
H=Total manometric head in meters										
40DRS51.4T2AG	1.4	1.9	17.5	14.1	10.8	7.9	5.9	3.7	-	-
40DRS51.6T2CG	1.6	2.1	16.5	14.9	12.6	10.4	8.7	6.7	-	-
40DRS51.6T2BG	1.6	2.1	21.1	18.8	15.9	13.2	11	-	-	-
40DRS52.4T2AG	2.4	3.2	24.8	22.5	19.4	16.5	14.2	11.6	-	-
40DRS53.1T2BG	3.1	4.2	27.3	25.8	23.8	21.8	20.3	18.5	-	-
40DRS53.1T2AG	3.1	4.2	31.8	29.3	27	24.9	23.5	21.9	-	-
40DRS54.2T2CG	4.2	5.6	36.1	34.7	32.9	31.2	29.9	28.5	-	-
40DRS55T2BG	5	6.7	40	39.5	38	36.3	34.9	33.3	-	-
40DRS55T2AG	5	6.7	46	44	42	40	38.4	36.7	34.8	-

65 DRS



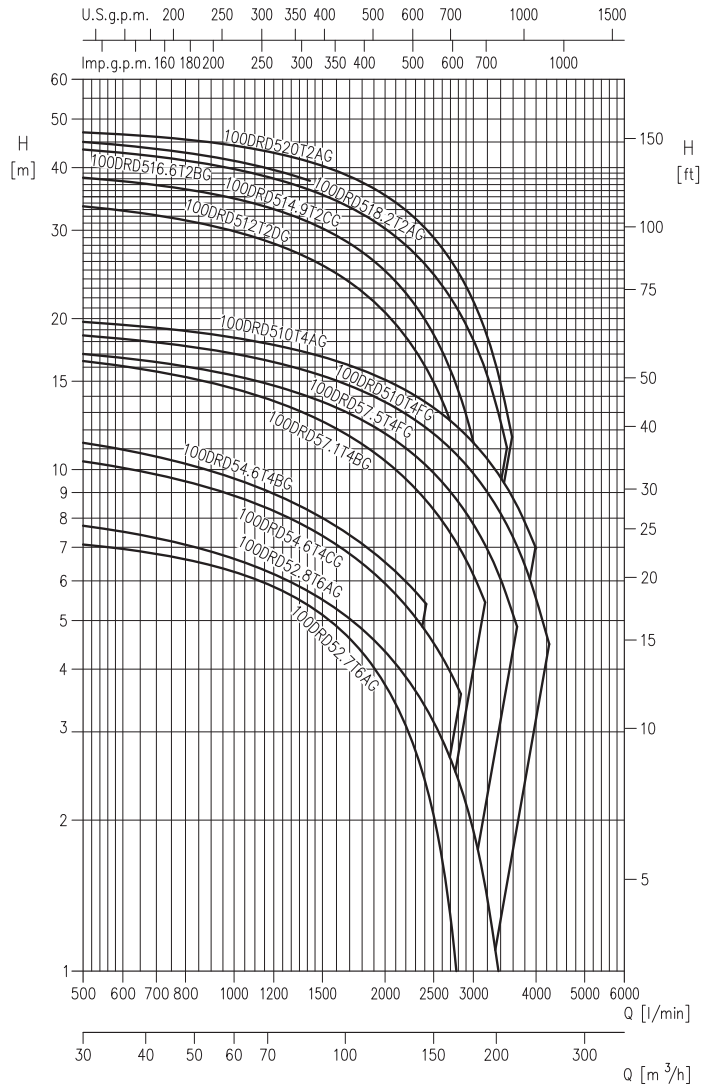
Pump Type DRS/A65	Power		Q=Capacity						
	[kW]	[HP]	l/min	200	400	433	667	900	1000
			0	12.0	24.0	26.0	40.0	54.0	60.0
H=Total manometric head in meters									
65DRS56.5T2CG	6.5	8.7	40.5	37	31.3	30.1	-	-	-
65DRS57.5T2BG	7.5	10.1	47.5	43.5	37.2	-	-	-	-
65DRS59T2DG	9	12.1	33.5	31.1	28.1	27.5	23.1	17.8	15.2
65DRS511T2CG	11	14.8	39.1	37	34.1	33.5	28.9	23.2	20.4
65DRS513.8T2BG	13.8	18.5	45	43	40.5	39.9	35.1	28.8	25.7
65DRS513.8T2AG	13.8	18.5	49.5	47	43.5	43	38.1	32	29.1
65DRS514.9T2GG	14.9	20.0	55	53	50.5	50	45.5	39.8	-
65DRS520T2BG	20	26.8	62.5	60.5	57	56.5	50.5	42.5	38.3
65DRS522.4T2AG	22.4	30.0	70	68.5	66	65.5	61	55	52
65DRS525.1T2AG	25.1	33.7	73	72	70	69.5	65.5	60.5	58

65-80 DRD



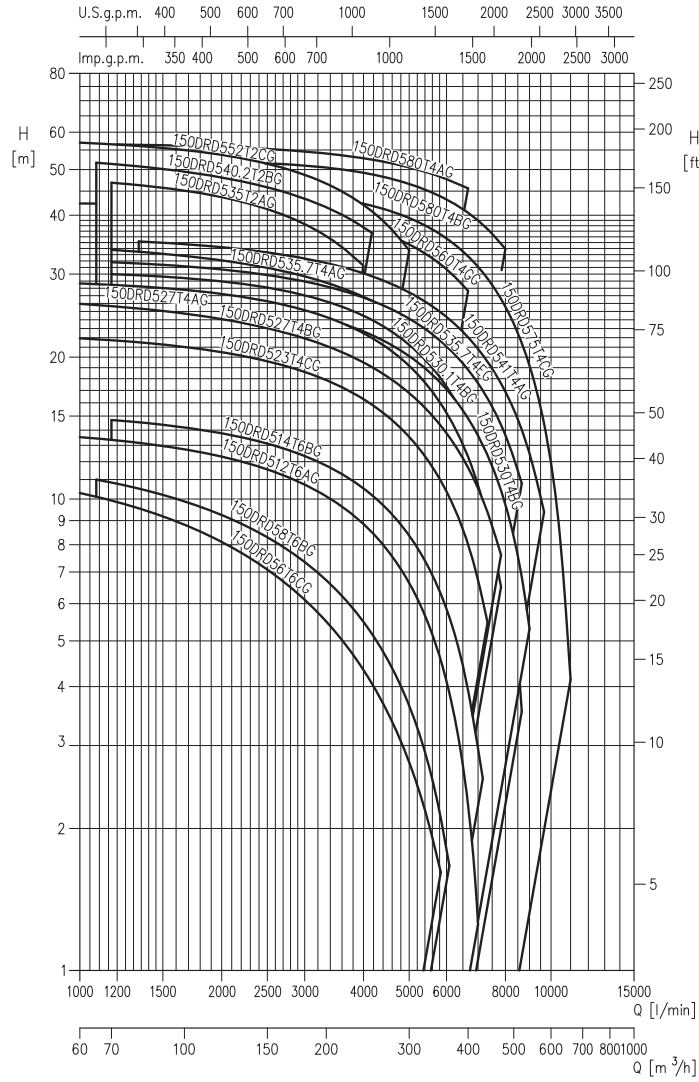
Pump Type DRD/65-80	Power		Q=Capacity						
	[kW]	[HP]	l/min	200	333	833	1333	1833	2000
			m³/h	12	20	50	80	110	120
H=Total manometric head in meters									
65DRD53.1T2CG	3.1	4.2	14.9	14.2	13.5	9.8	4.3	-	-
65DRD53.6T2BG	3.6	4.8	18.1	17.4	16.7	13.1	7.8	-	-
80DRD55T2BG	5	6.7	22.4	-	20.9	17.3	11.9	4.7	-
80DRD56T2AG	6	8	26.4	-	24.8	21	15.6	8.7	-
80DRD57.5T2AG	7.5	10.1	30.5	-	29.4	25.6	19.2	10.3	6.8

100 DRD



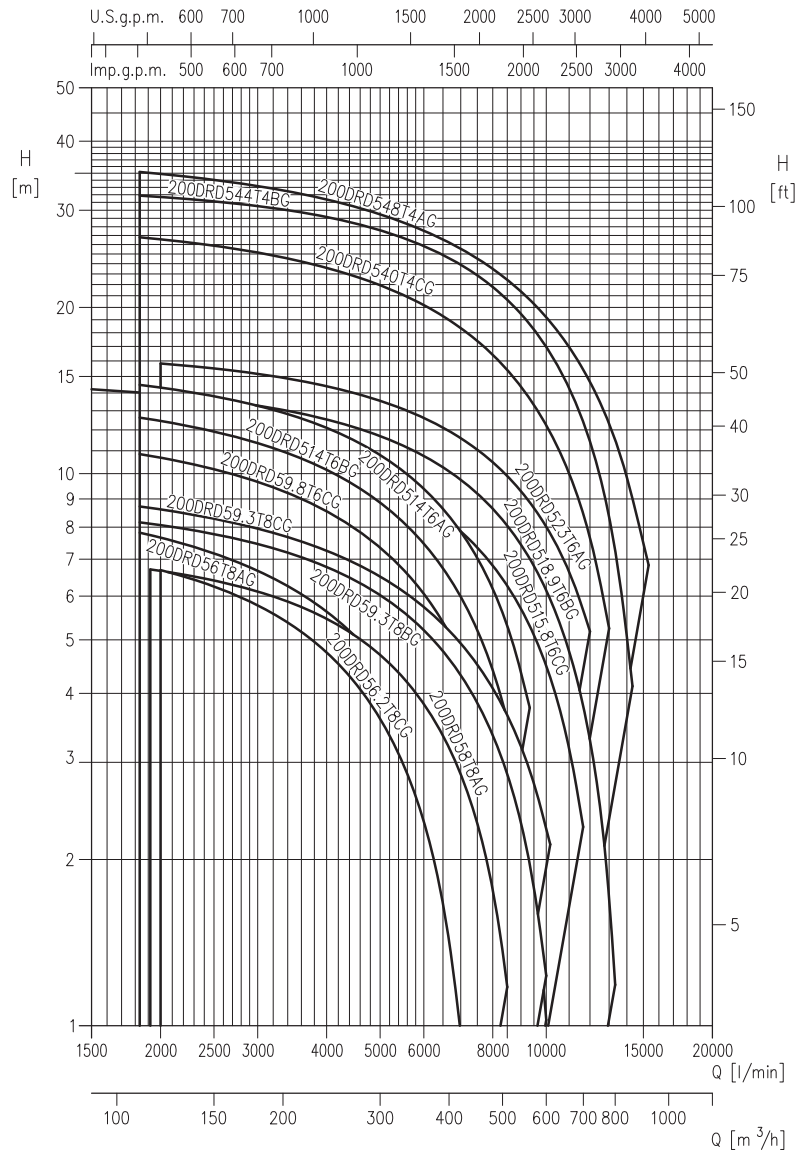
Pump Type DRD/100	Power		Q=Capacity														
	[kW]	[HP]	l/min	0	500	833	1417	2417	2833	3000	3167	3333	3500	3583	3667	4000	4250
			m³/h	0	30	50	85	145	170	180	190	200	210	215	220	240	255
H=Total manometric head in meters																	
100DRD52.7T6AG	2.7	3.6	7.6	7.1	6.6	5.3	2.3	0.8	-	-	-	-	-	-	-	-	-
100DRD52.8T6AG	2.8	3.8	8.8	7.7	7	5.7	3.3	2.3	1.9	1.5	1.1	-	-	-	-	-	-
100DRD54.6T4CG	4.6	6.2	12	10.4	9.4	7.6	4.7	3.6	-	-	-	-	-	-	-	-	-
100DRD54.6T4BG	4.6	6.2	13.1	11.3	10.2	8.3	5.4	-	-	-	-	-	-	-	-	-	-
100DRD57.1T4BG	7.1	9.5	18.4	16.5	15.2	12.5	8.3	6.9	6.2	5.5	4.7	-	-	-	-	-	-
100DRD57.5T4FG	7.5	10.1	18.6	17	15.9	13.7	9.8	8.5	7.8	7.1	6.3	5.6	5.2	4.9	-	-	-
100DRD510T4FG	10	13.4	20	18.5	15.4	11.8	10.5	9.8	9.1	8.5	7.7	7.4	7	5.6	4.4	-	-
100DRD510T4AG	10	13.4	21	19.7	18.8	16.8	13.3	12	11.3	10.6	9.9	9.2	8.8	8.5	7	-	-
100DRD512T2DG	12	16.1	36.5	33.5	31.2	26.3	15.9	10.8	8.6	-	-	-	-	-	-	-	-
100DRD514.9T2CG	14.9	20.0	41	38.2	36	31.1	19.7	13.9	11.3	8.7	6	-	-	-	-	-	-
100DRD516.6T2BG	16.6	22.3	46.5	43.5	41	36.1	25.5	20.3	18.1	15.8	13.5	11.1	-	-	-	-	-
100DRD518.2T2AG	18.2	24.4	48	45	42.5	37.7	-	-	-	-	-	-	-	-	-	-	-
100DRD520T2AG	20	26.8	48.5	47	45.5	41	30.1	24.2	21.7	18.9	16.1	13.1	11.6	-	-	-	-

150 DRD

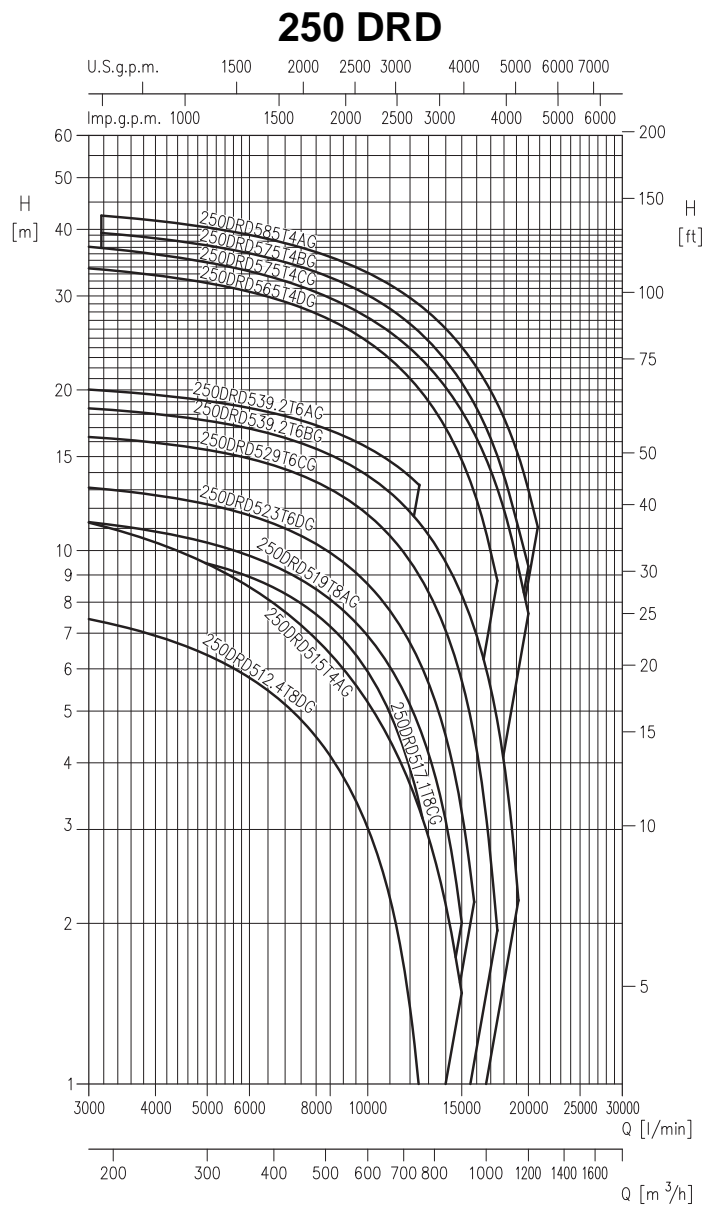


Pump Type DRD/150	Power		Q=Capacity																						
	[kW]	[HP]	l/min	0	1000	1083	1167	1333	2667	4000	4167	5000	5500	5833	6083	6667	7000	7167	7333	7833	8000	8667	9000	9667	11000
			m³/h	0	60	65	70	80	160	240	250	300	330	350	365	400	420	430	440	470	480	520	540	580	660
150DRD56T6CG	6	8.0	12.7	10.3	10.1	9.9	9.6	6.8	4.3	4.1	2.8	2.1	1.6	-	-	-	-	-	-	-	-	-	-	-	-
150DRD58T6BG	8	10.7	13.1	-	11	10.8	10.5	8	5.5	5.2	3.6	2.7	2.1	1.7	-	-	-	-	-	-	-	-	-	-	-
150DRD512T6AG	12	16.1	14.5	13.5	13.4	13.2	11.3	8.8	8.5	6.6	5.4	4.5	3.9	2.2	1.2	-	-	-	-	-	-	-	-	-	-
150DRD514T6BG	14	18.8	15.6	-	14.7	14.5	12.9	10.5	10.2	8.4	7.1	6.3	5.6	3.9	3	2.5	-	-	-	-	-	-	-	-	-
150DRD523T4CG	23	30.8	23	21.9	21.8	21.7	21.5	19.3	16.3	15.9	13.5	12	10.9	10.1	8	6.8	6.1	5.5	-	-	-	-	-	-	-
150DRD527T4BG	27	36.2	27.6	26	25.8	25.7	25.4	22.7	19.5	19	16.8	15.3	14.3	13.5	11.7	10.5	10	9.4	7.6	-	-	-	-	-	-
150DRD527T4AG	27	36.2	29.5	28.7	28.6	28.5	28.3	25.9	22.5	22	19.2	17.3	15.9	14.9	12.3	10.7	9.9	9	6.4	-	-	-	-	-	-
150DRD530T4BG	30	40.2	28.5	-	27.5	27.4	25.4	22.7	22.3	20.1	18.6	17.6	16.8	14.8	13.6	13	12.4	10.4	9.7	6.9	5.4	-	-	-	-
150DRD530.1T4BG	30	40.2	30.7	-	30	29.8	27.8	24.5	24	21.2	19.4	18	17	14.3	12.7	11.9	11.1	8.4	7.5	3.6	-	-	-	-	-
150DRD535T2AG	35	46.9	49.5	-	47	46.5	40.5	31.2	-	-	-	-	-	-	-	-	-	-	-	-	-	-	-	-	-
150DRD535.7T4EG	35.7	47.9	32.9	-	31.8	31.7	29.6	26.8	26.3	24.1	22.7	21.6	20.8	18.8	17.6	17	16.3	14.4	13.7	10.8	-	-	-	-	-
150DRD535.7T4AG	35.7	47.9	35.7	-	33.8	30.5	26.9	26.4	23.6	21.9	20.7	-	-	-	-	-	-	-	-	-	-	-	-	-	-
150DRD540.2T2BG	40.2	53.9	55	-	51.7	51.4	50.8	45	37.7	36.7	-	-	-	-	-	-	-	-	-	-	-	-	-	-	-
150DRD541T4AG	41	55.0	36.7	-	-	35.3	33	30.1	29.7	27.4	25.9	24.9	24.1	22	20.8	20.2	19.6	17.6	16.9	14	12.5	9.4	-	-	-
150DRD552T2CG	52	69.7	58.6	57	56.8	56.6	56.1	50.6	42	40.8	33.7	-	-	-	-	-	-	-	-	-	-	-	-	-	-
150DRD560T4GG	60	80.5	42.5	42.5	42.5	42.5	42	41	37.8	37.3	34.7	32.8	31.4	30.4	27.6	-	-	-	-	-	-	-	-	-	-
150DRD575T4CG	75	100.6	45	-	-	45.5	45	42.5	42	39.5	37.7	36.4	35.4	32.7	31.1	30.2	29.4	26.6	25.6	21.4	19.2	14.4	3.8	-	-
150DRD580T4BG	80	107.3	51.5	52	52	52	51.5	49	49	48.5	45	44	43	40.5	39	38.2	37.4	34.8	33.9	-	-	-	-	-	-
150DRD580T4AG	80	107.3	57	-	56.5	55	53	52.5	50.5	49	49	48	47.5	45.5	-	-	-	-	-	-	-	-	-	-	-

200 DRD

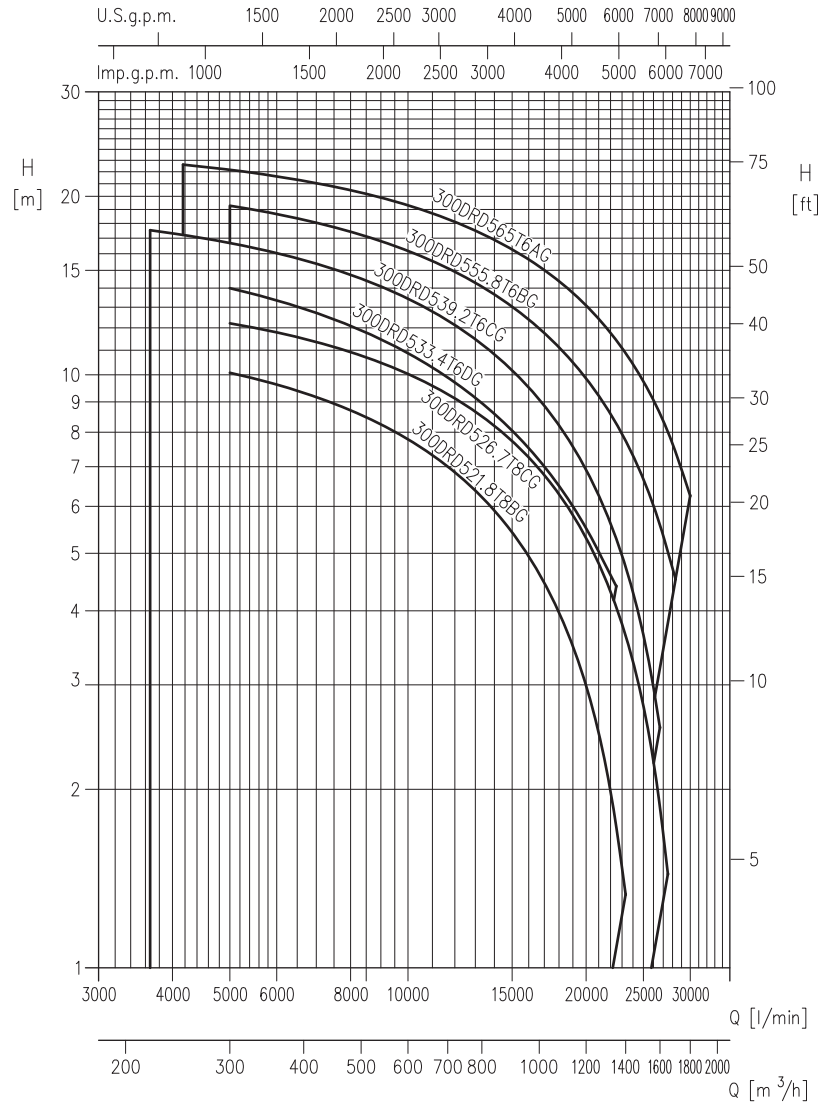


Pump Type DRD/200	Power		Q=Capacity																			
	[kW]	[HP]	l/min	0	1667	1833	1917	2000	4500	7000	7667	8500	9167	9333	10000	10167	11667	12000	13000	13333	14333	15333
			m³/h	0	100	110	115	120	270	420	460	510	550	560	600	610	700	720	780	800	860	920
200DRD56T8AG	6	8.0	9.5	-	-	7.7	7.7	5.1	2.2	1.3	-	-	-	-	-	-	-	-	-	-	-	-
200DRD56.2T8CG	6.2	8.3	8.2	-	-	6.7	6.7	4.2	1	-	-	-	-	-	-	-	-	-	-	-	-	-
200DRD58T8AG	8	10.7	7.4	-	6.7	6.7	6.7	5.1	2.9	2.1	1.2	-	-	-	-	-	-	-	-	-	-	-
200DRD59.3T8CG	9.3	12.5	9.1	-	8.2	8.1	8.1	6.4	4.3	3.7	2.9	2.2	1.8	1.2	1	-	-	-	-	-	-	-
200DRD59.3T8BG	9.3	12.5	9.8	-	8.7	8.7	8.6	6.9	4.9	4.4	3.6	3.1	2.7	2.3	-	-	-	-	-	-	-	-
200DRD59.8T6CG	9.8	13.1	12.5	-	10.9	10.8	10.7	8	4.7	3.7	2.5	1.4	-	-	-	-	-	-	-	-	-	-
200DRD514T6BG	14	18.8	14.4	-	12.6	12.5	12.5	9.5	6	4.9	3.6	2.4	1.8	1	-	-	-	-	-	-	-	-
200DRD514T6AG	14	18.8	16	-	14.5	14.4	14.3	11.5	7.8	6.7	5.3	4.1	3.5	-	-	-	-	-	-	-	-	-
200DRD515.8T6CG	15.8	21.2	12.9	-	12	11.9	11.9	10.1	7.9	7.2	6.3	5.5	5.3	4.5	4.3	2.3	-	-	-	-	-	-
200DRD518.9T6BG	18.9	25.3	15	14.1	14	14	13.9	12.1	9.7	9	8	7.2	7	6.1	5.9	3.8	3.3	1.7	1.2	-	-	-
200DRD523T6AG	23	30.8	16.9	-	-	-	15.8	14	11.6	10.9	9.9	9.1	8.9	8	7.8	5.7	5.2	-	-	-	-	-
200DRD540T4CG	40	53.6	29.2	-	26.8	26.7	26.6	22.8	18.4	17.1	15.4	14	13.7	12.2	11.9	8.5	7.7	5.2	-	-	-	-
200DRD544T4BG	44	59.0	33.6	-	31.9	31.8	31.7	28.4	23.9	22.5	20.6	19.1	18.7	17	16.5	12.4	11.4	8.4	7.3	4	-	-
200DRD548T4AG	48	64.4	38.3	-	35.2	35.1	34.9	30.4	25.5	24.2	22.4	21	20.7	19.2	18.8	15.4	14.7	12.3	11.5	9.1	6.6	-



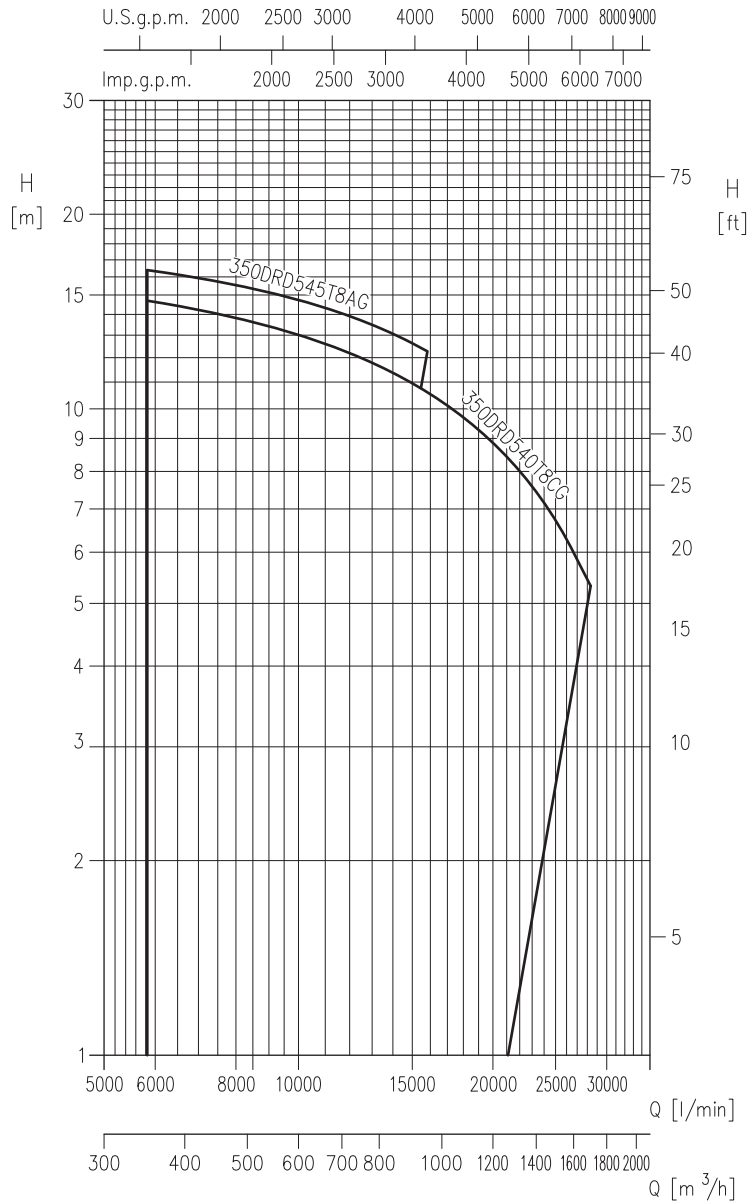
Pump Type DRD/250	Power [kW] [HP]		Q=Capacity															
			l/min	0	3000	3167	5000	8333	12500	12667	14000	15000	15833	17500	19167	19833	20000	20833
			m³/h	0	180	190	300	500	750	760	840	900	950	1'050	1'150	1'190	1'200	1'250
H=Total manometric head in meters																		
250DRD515T4AG	15	20.1	14.2	11.3	11.1	9.4	6.3	3.3	3.1	2.2	1.5	-	-	-	-	-	-	-
250DRD512.4T8DG	12.4	16.6	8.7	7.4	7.4	6.4	4	1	0.8	-	-	-	-	-	-	-	-	-
250DRD517.1T8CG	17.1	22.9	10.8	10.3	10.2	9.5	7.1	3.3	3.1	1.5	-	-	-	-	-	-	-	-
250DRD519T8AG	19	25.5	12.3	11.3	11.2	10.3	8	4.7	4.5	3.1	2	-	-	-	-	-	-	-
250DRD523T6DG	23	30.8	13.9	13.1	13.1	12.2	9.8	6.2	6	4.5	3.3	2.2	-	-	-	-	-	-
250DRD529T6CG	29	38.9	17	16.3	16.3	15.4	12.9	9	8.8	7.1	5.7	4.5	1.9	-	-	-	-	-
250DRD539.2T6BG	39.2	52.6	19.4	18.5	18.4	17.5	15	11.3	11.1	9.5	8.3	7.1	4.8	2.2	-	-	-	-
250DRD539.2T6AG	39.2	52.6	21	20	20	19.1	16.7	13.3	-	-	-	-	-	-	-	-	-	-
250DRD565T4DG	65	87.2	36.1	33.8	33.7	31.7	26.8	20	19.7	17	14.8	12.8	8.8	-	-	-	-	-
250DRD575T4CG	75	100.6	40.5	37.1	36.9	34.7	29.5	23	22.7	20.2	18.3	16.6	13	9.3	7.8	7.4	-	-
250DRD575T4BG	75	100.6	42.5	-	39.4	37.3	32.3	25.7	25.3	22.7	20.6	18.8	15	11	9.4	-	-	-
250DRD585T4AG	85	114.0	45.5	-	42.5	40.5	35.3	28.9	28.6	26.1	24.1	22.4	18.8	15	13.5	13.1	11.1	-

300 DRD



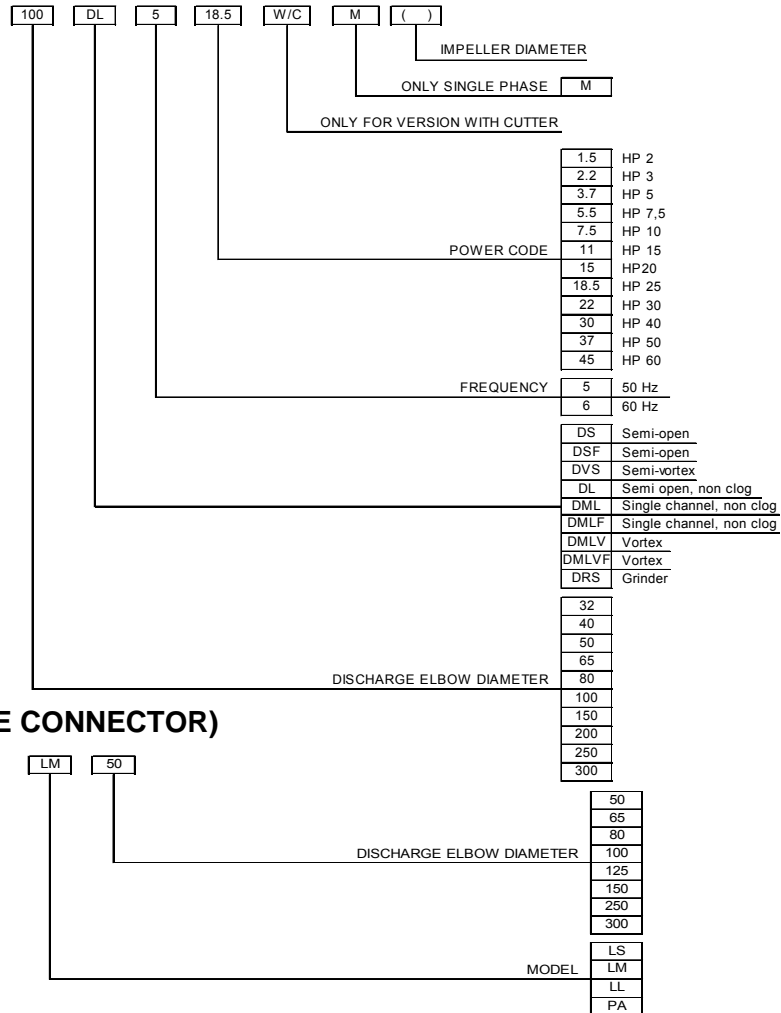
Pump Type DRD/350	Power		Q=Capacity														
	[kW]	[HP]	l/min	0	3667	4167	5000	8333	11667	15000	18333	22500	23333	26667	27500	28333	30000
			m³/h	0	220	250	300	500	700	900	1'100	1'350	1'400	1'600	1'650	1'700	1'800
H=Total manometric head in meters																	
300DRD521.8T8BG	21.8	29.2	12.3	-	-	10.1	8.6	7	5.4	3.8	1.7	1.3	-	-	-	-	
300DRD526.7T8CG	26.7	35.8	14.3	-	-	12.2	10.8	9.3	7.7	6.1	4.1	3.6	1.9	1.4	-	-	
300DRD533.4T6DG	33.4	44.8	17.4	-	-	14	11.9	9.9	8	6.3	4.3	-	-	-	-	-	
300DRD539.2T6CG	39.2	52.6	20	17.6	17.2	16.7	14.5	12.4	10.2	8	5.3	4.7	2.6	-	-	-	
300DRD555.8T6BG	55.8	74.8	22.4	-	-	19.3	17.2	15.1	13	10.9	8.3	7.7	5.6	5.1	4.5	-	
300DRD565T6AG	65	87.2	24.9	-	22.6	22.2	20.3	18.3	16.3	14.2	11.4	10.9	8.6	8	7.4	6.2	

350 DRD



Pump Type DRD/350	Power		Q=Capacity							
	[kW]	[HP]	l/min	5833	8333	11667	15833	20000	25000	28333
			m³/h	0	350	500	700	950	1'200	1'500
H=Total manometric head in meters										
350DRD540T8CG	40	53.6	17	14.7	13.7	12.3	10.6	8.9	6.7	5.3
350DRD545T8AG	45	60.3	18.6	16.4	15.4	14.1	12.3	-	-	-

TYPE KEY
PUMP



QDC (QUICK DISCHARGE CONNECTOR)

PERFORMANCE CURVE SPECIFICATIONS

The specifications below qualify the curves shown on the following pages.

Tolerances according to ISO 9906 Annex A

The curves refer to effective speed of asynchronous motors at 50 Hz

Measurements were carried out with clean water at 20°C of temperature and with a kinematic viscosity of $\nu = 1 \text{ mm}^2/\text{s}$ (1 cSt)

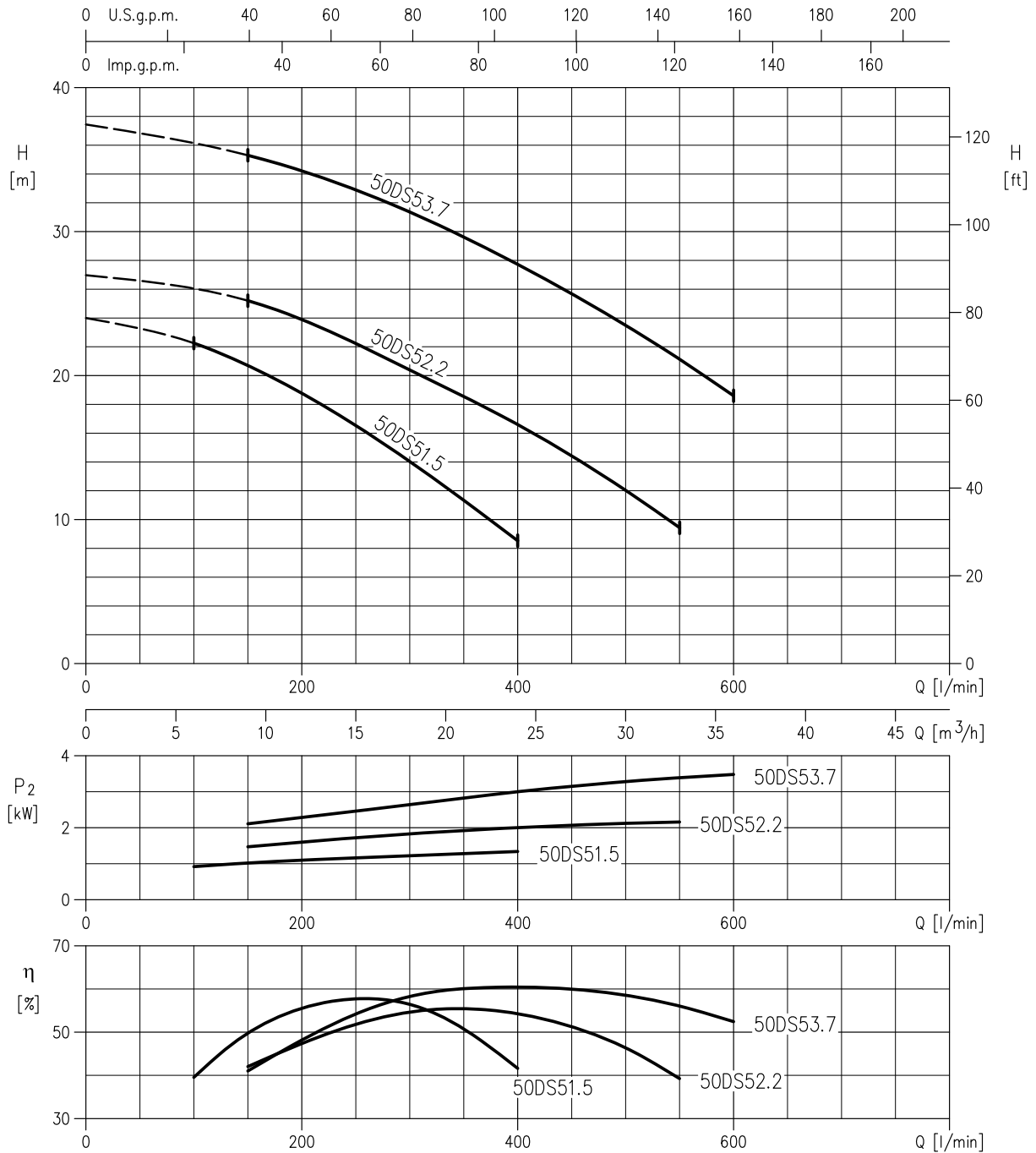
The continuous curves indicate the recommended working range. The dotted curve is only a guide.

In order to avoid the risk of over-heating, the pumps should not be used at a flow rate below 10% of best efficiency point.

Symbols explanation:

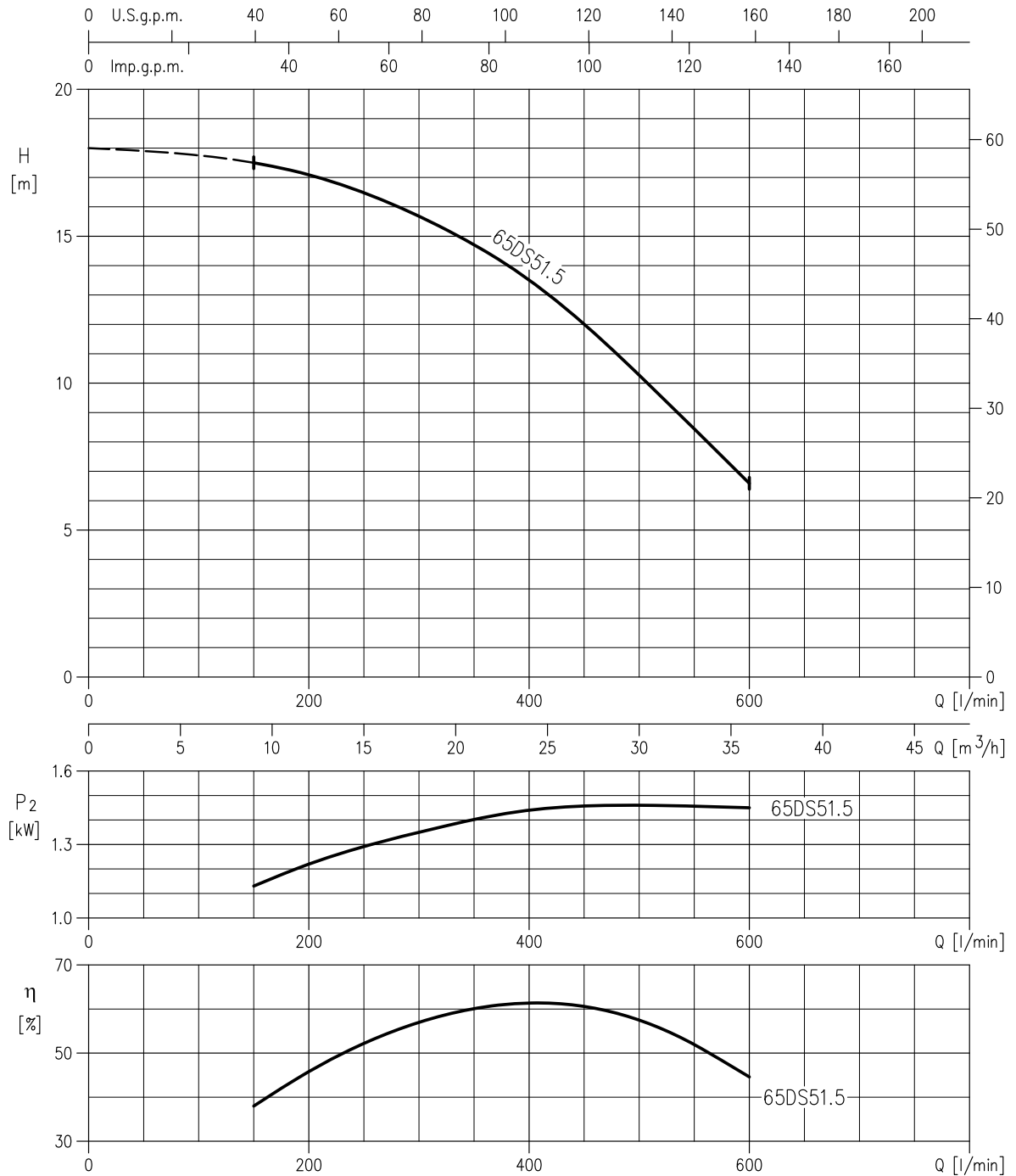
- Q = volume flow rate
- H = total head
- P_2 = pump power input (shaft power)
- η = pump efficiency

50DS51.5 (1.5 kW)
 50DS52.2 (2.2 kW)
 50DS53.7 (3.7 kW)



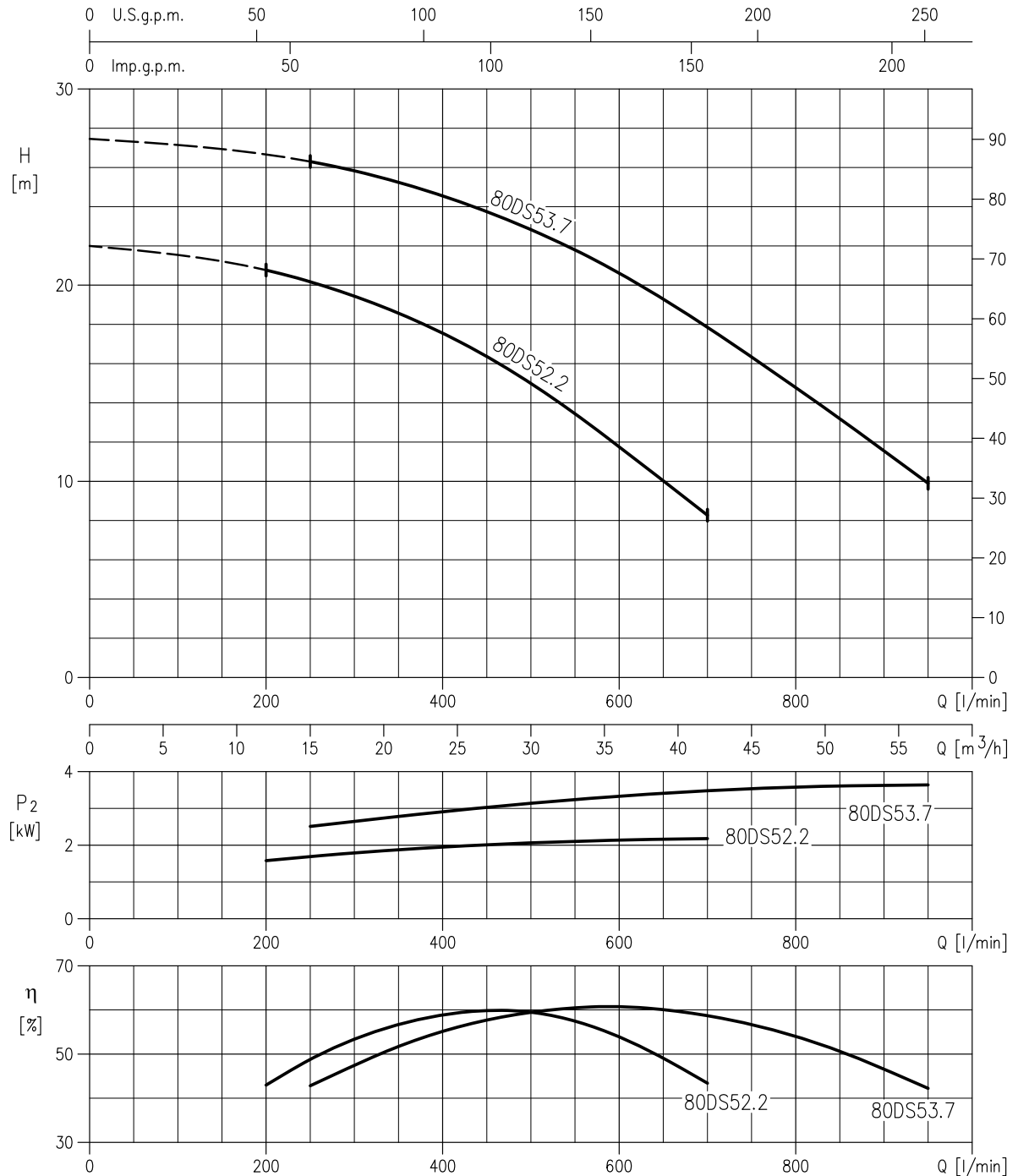
Rotation speed $\approx 2850 \text{ min}^{-1}$
 Test standard: ISO 9906 – Annex A

65DS51.5 (1.5 kW)



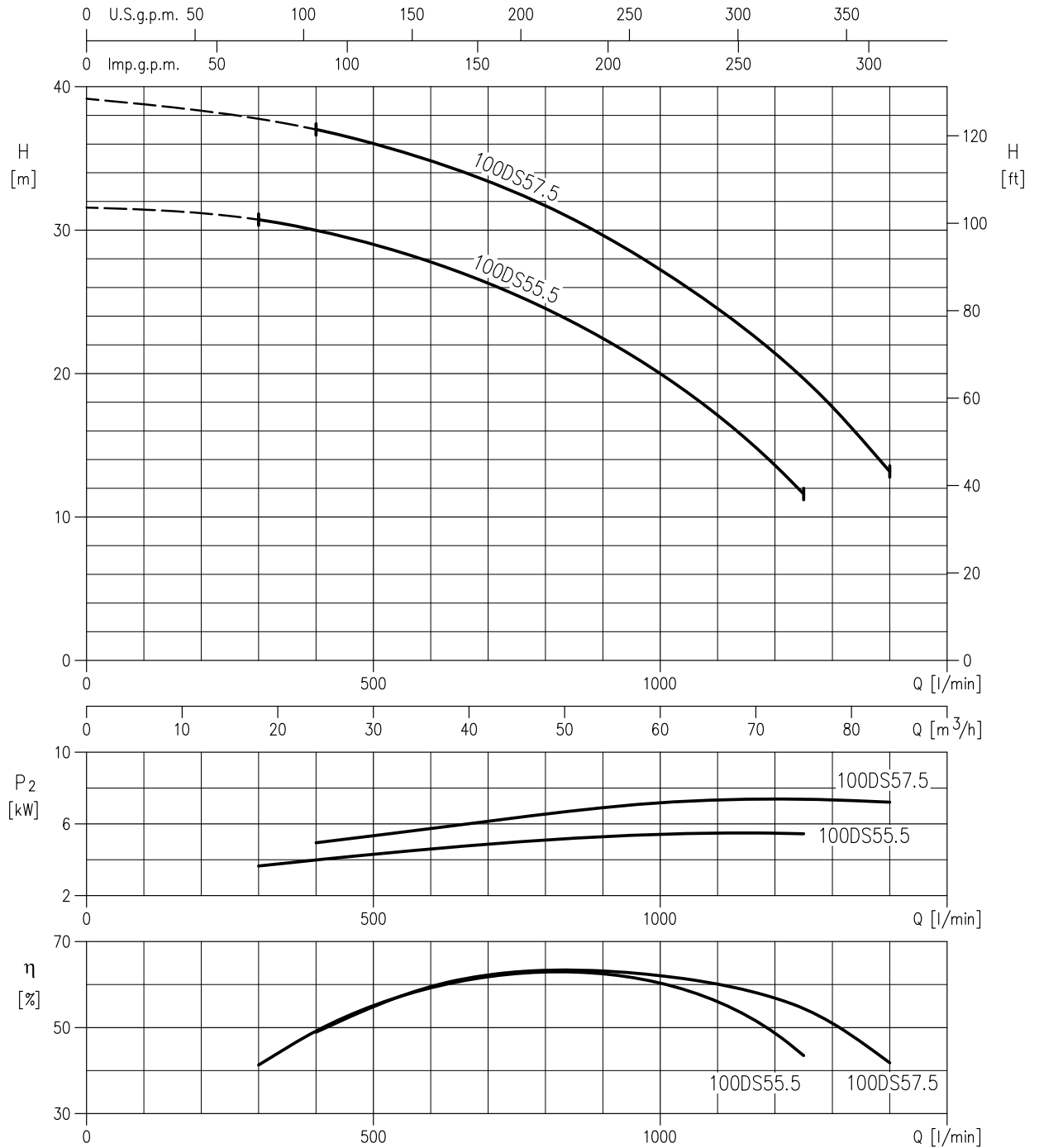
Rotation speed $\approx 2850 \text{ min}^{-1}$
 Test standard: ISO 9906 – Annex A

80DS52.2 (2.2 kW)
80DS53.7 (3.7 kW)



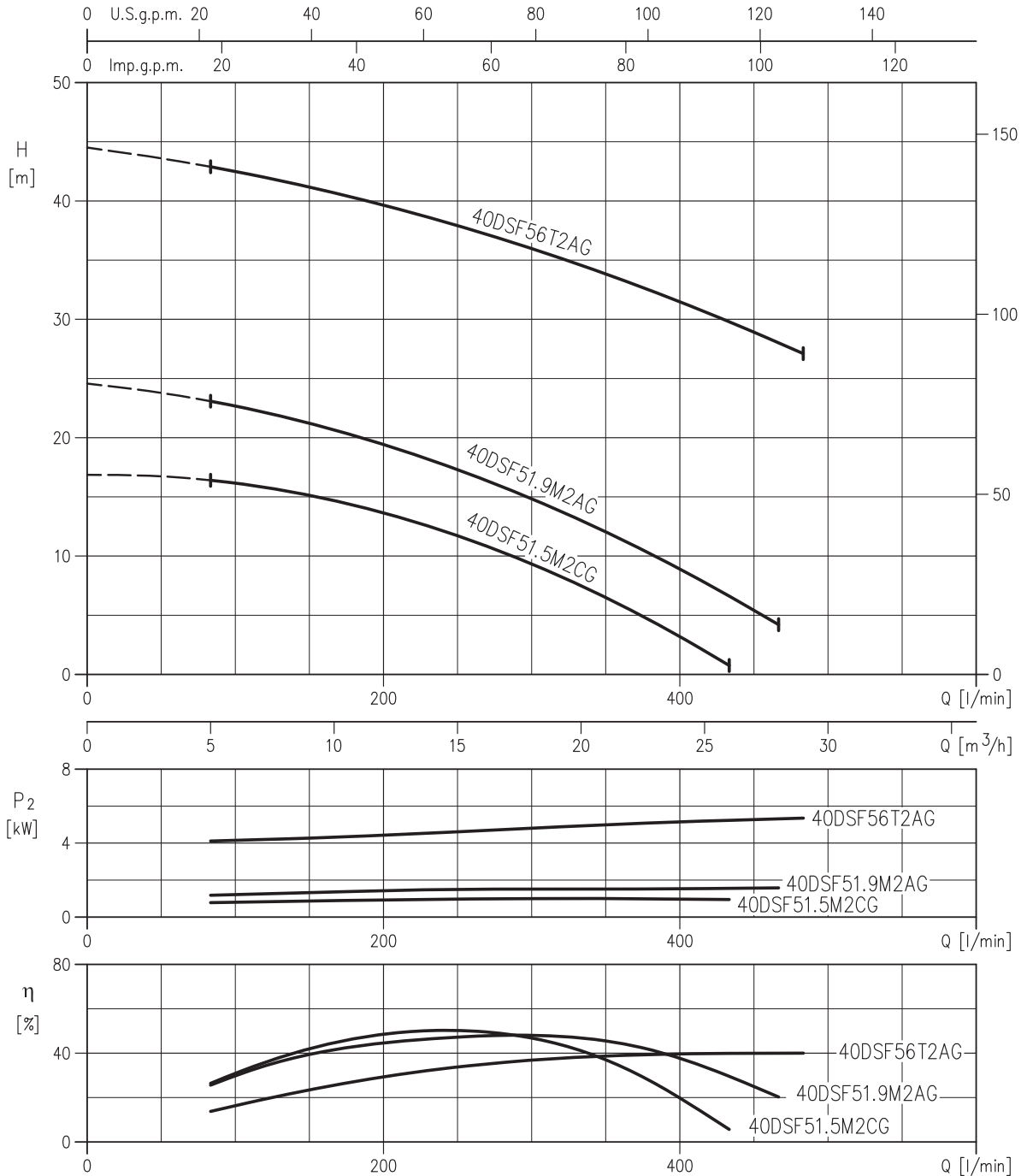
Rotation speed $\approx 2850 \text{ min}^{-1}$
 Test standard: ISO 9906 – Annex A

100DS55.5 (5.5 kW)
100DS57.5 (7.5 kW)



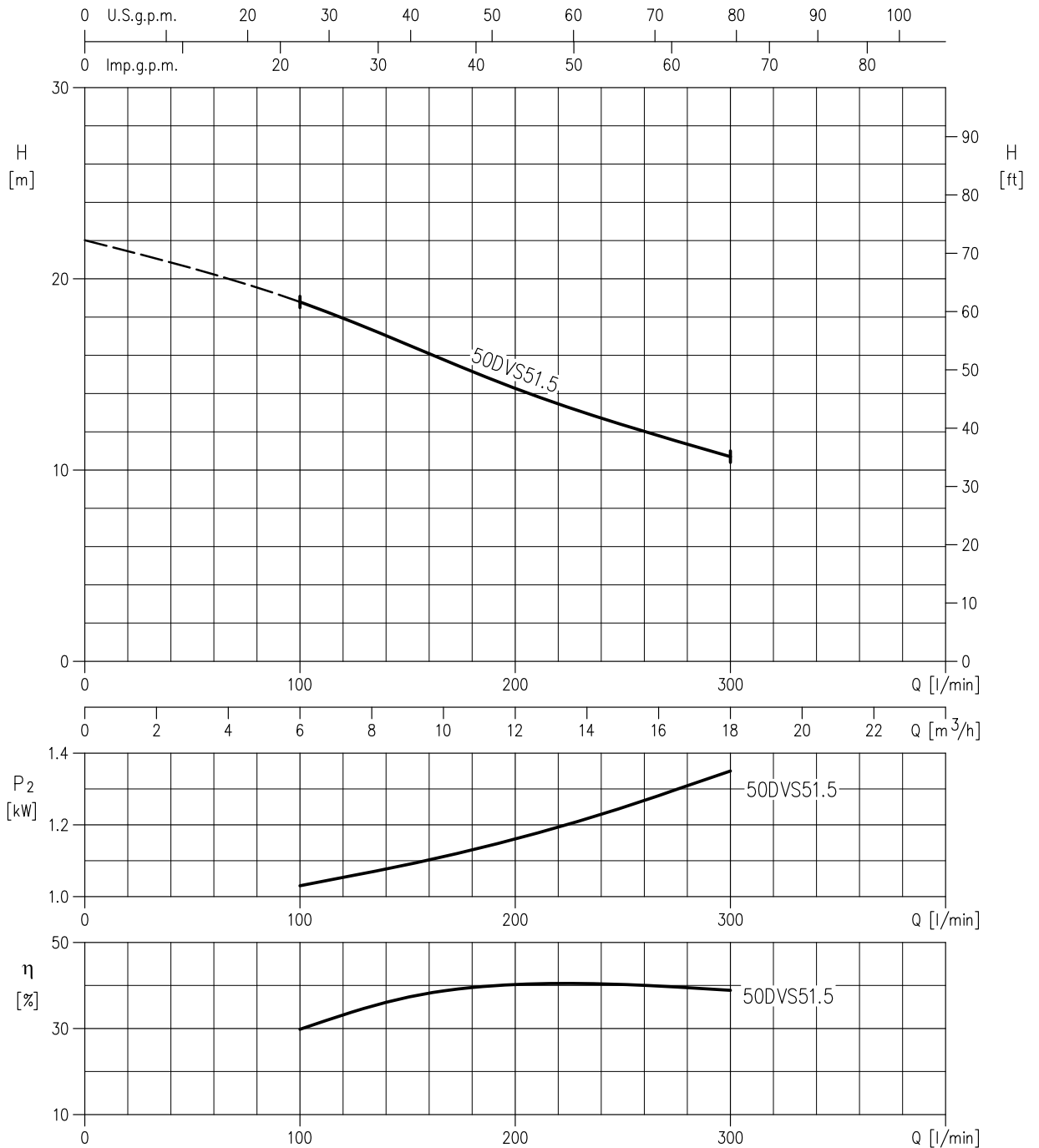
Rotation speed $\approx 2850 \text{ min}^{-1}$
 Test standard: ISO 9906 – Annex A

40DSF51.5M2CG (1.5 kW)
40DSF51.9M2AG (1.9 kW)
40DSF56T2AG (6.0 kW)



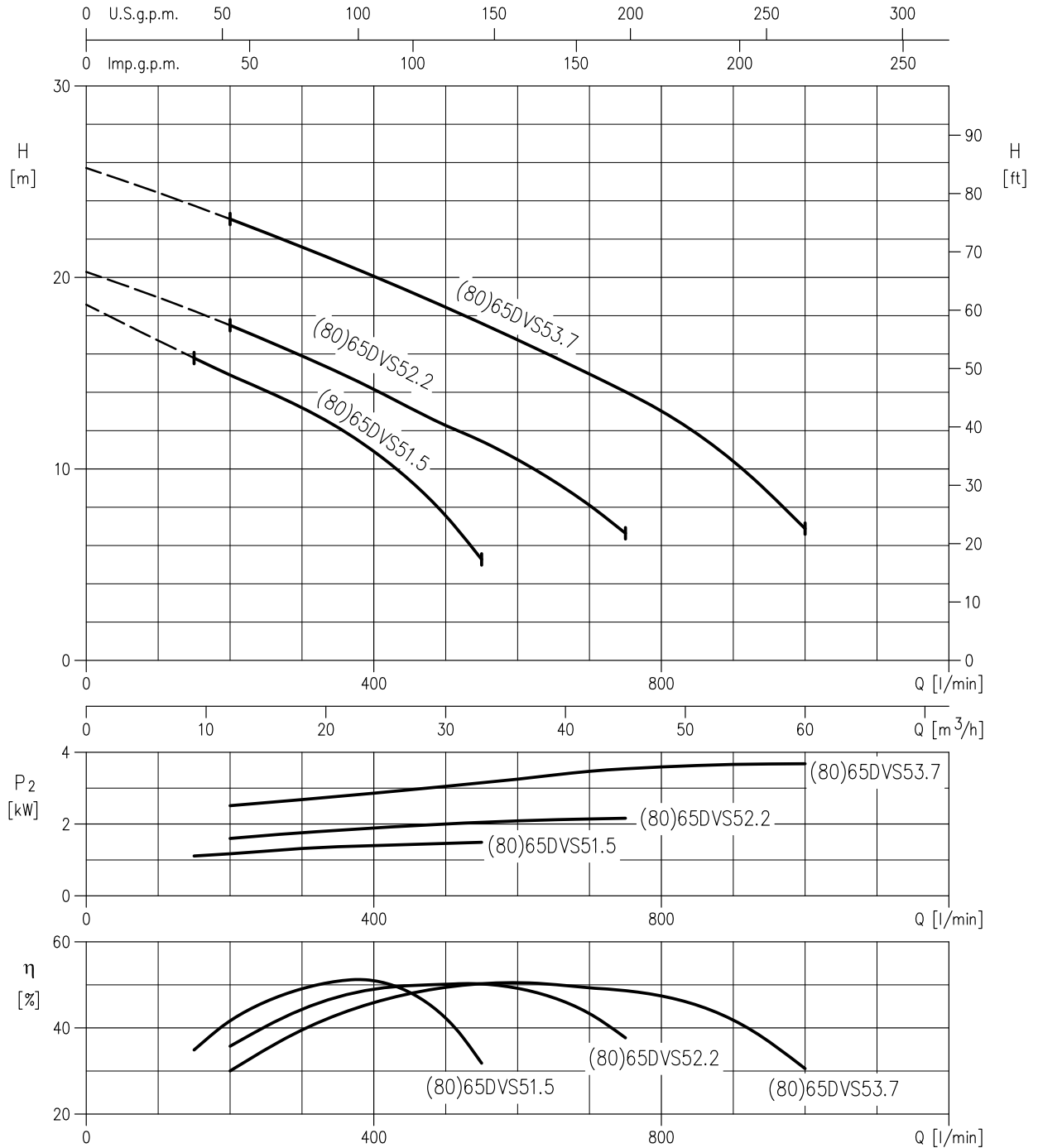
Rotation speed $\approx 2850 \text{ min}^{-1}$
 Test standard: ISO 9906 – Annex A

50DVS51.5 (1.5 kW)



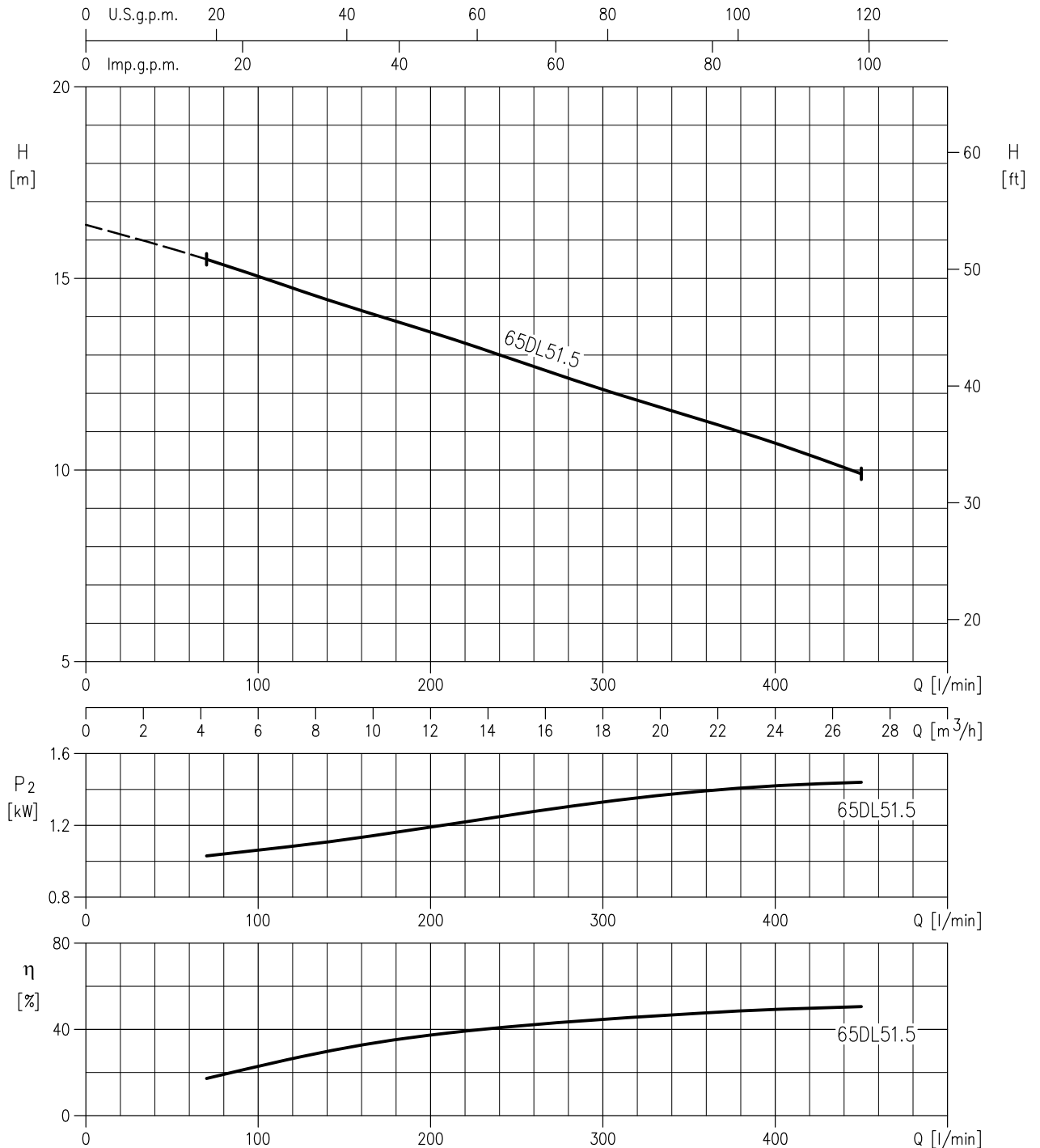
Rotation speed $\approx 2850 \text{ min}^{-1}$
 Test standard: ISO 9906 – Annex A

(80)65DVS51.5 (1.5 kW)
 (80)65DVS52.2 (2.2 kW)
 (80)65DVS53.7 (3.7 kW)



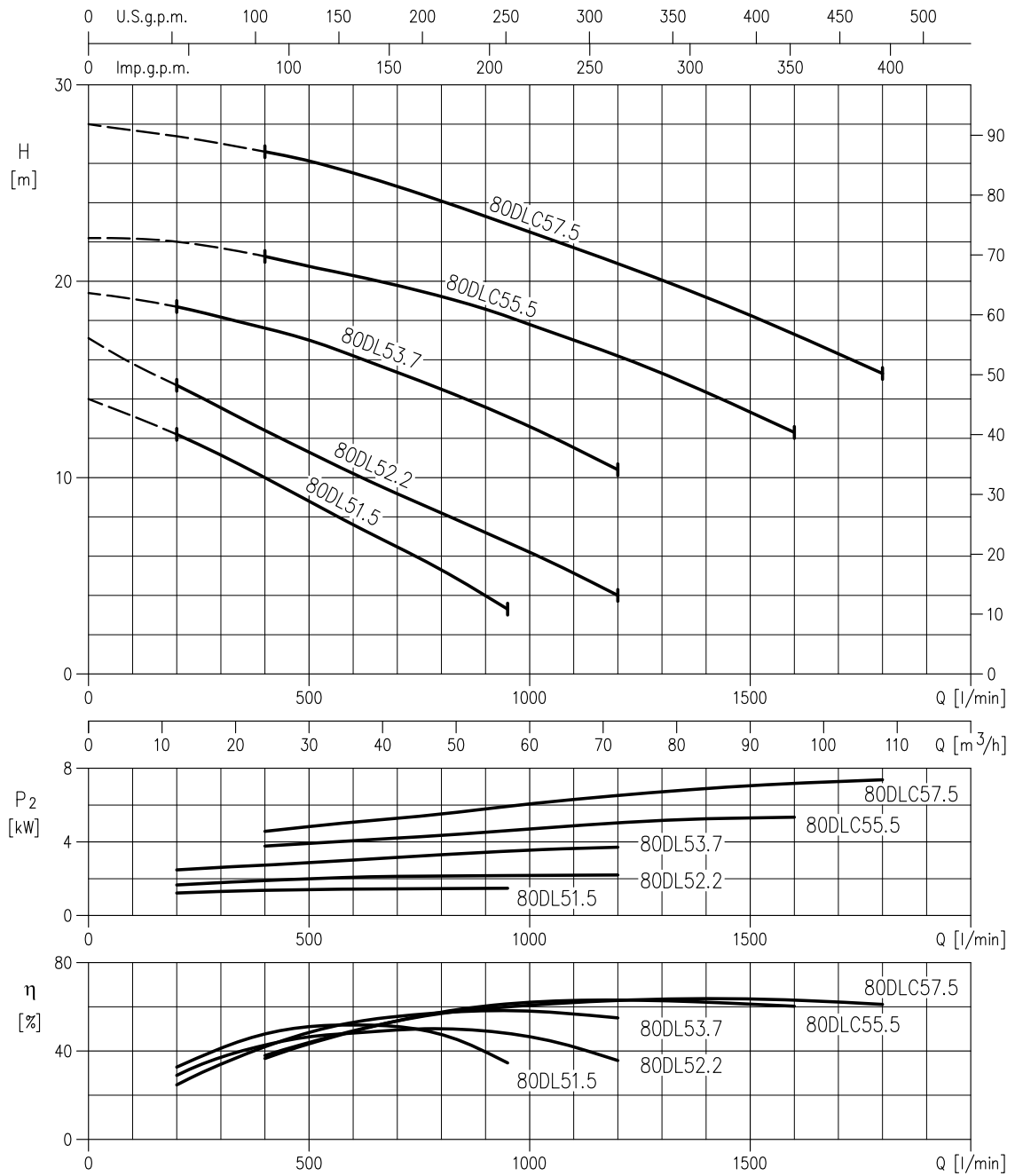
Rotation speed $\approx 2850 \text{ min}^{-1}$
 Test standard: ISO 9906 – Annex A

65DL51.5 (1.5 kW)



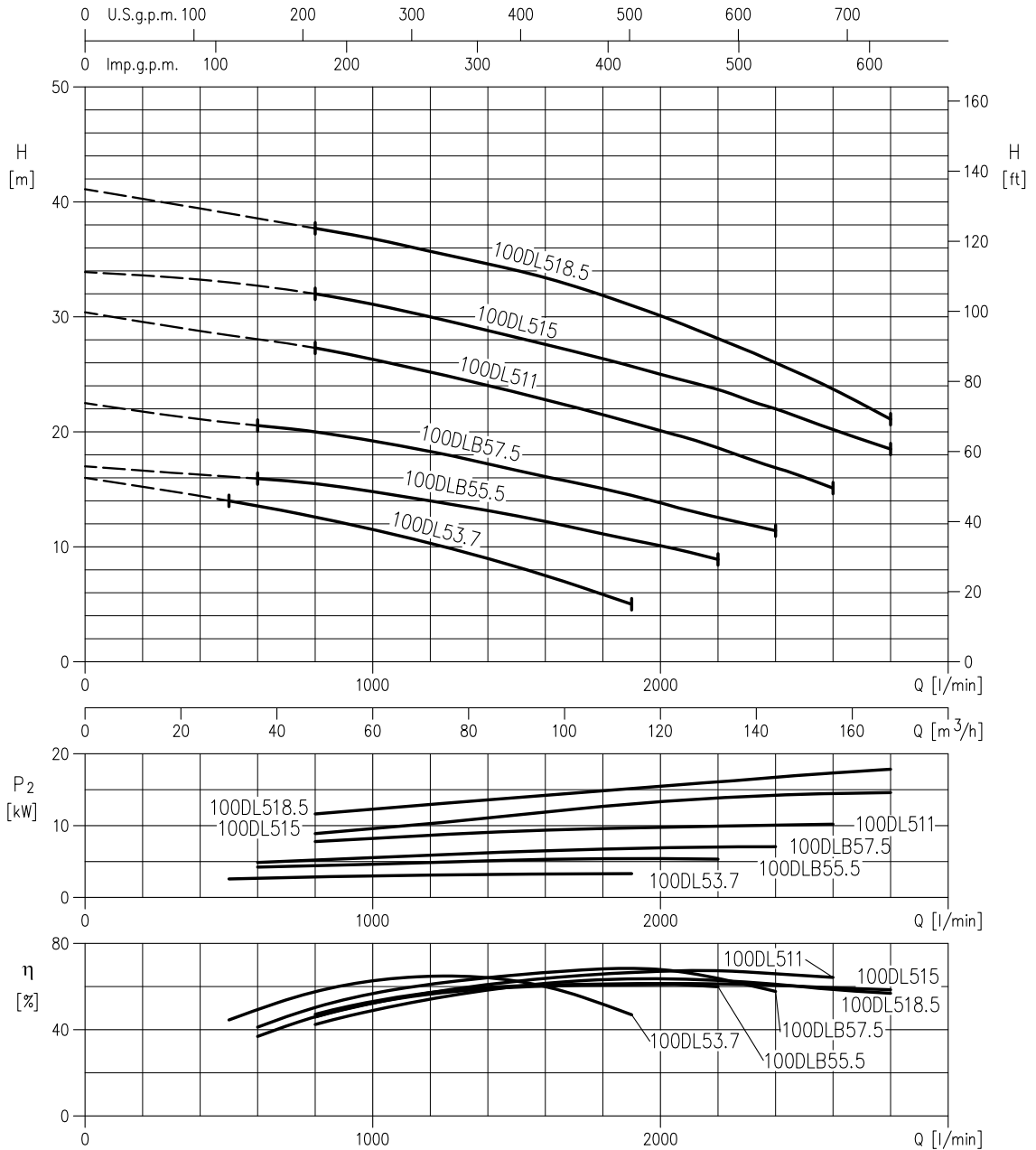
Rotation speed $\approx 1450 \text{ min}^{-1}$
 Test standard: ISO 9906 – Annex A

80DL51.5 (1.5 kW)
 80DL52.2 (2.2 kW)
 80DL53.7 (3.7 kW)
 80DLC55.5 (5.5 kW)
 80DLC57.5 (7.5 kW)



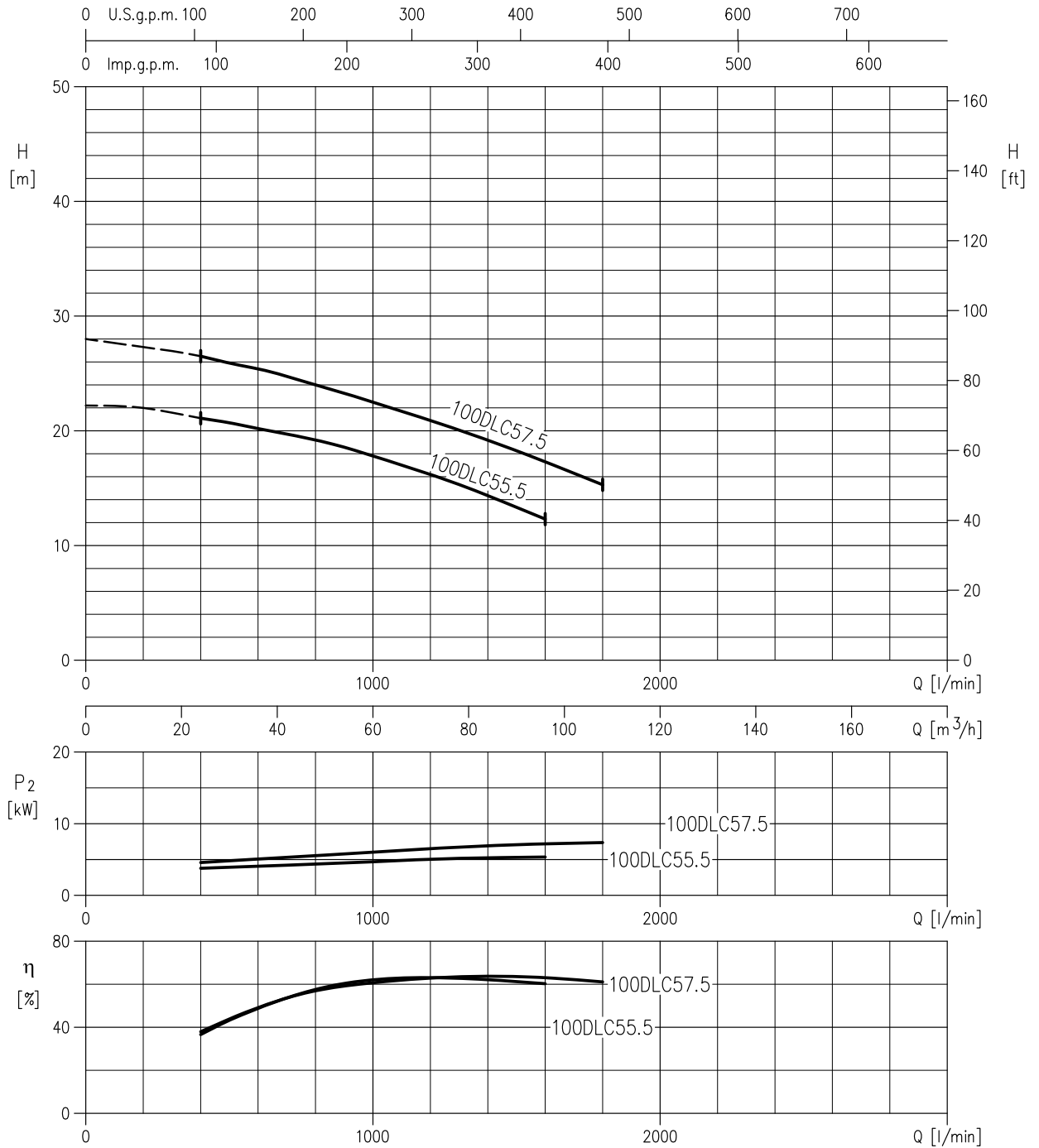
Rotation speed $\approx 1450 \text{ min}^{-1}$
 Test standard: ISO 9906 – Annex A

100DL53.7 (3.7 kW)
100DLB55.5 (5.5 kW)
100DLB57.5 (7.5 kW)
100DL511 (11 kW)
100DL515 (15 kW)
100DL518.5 (18.5 kW)



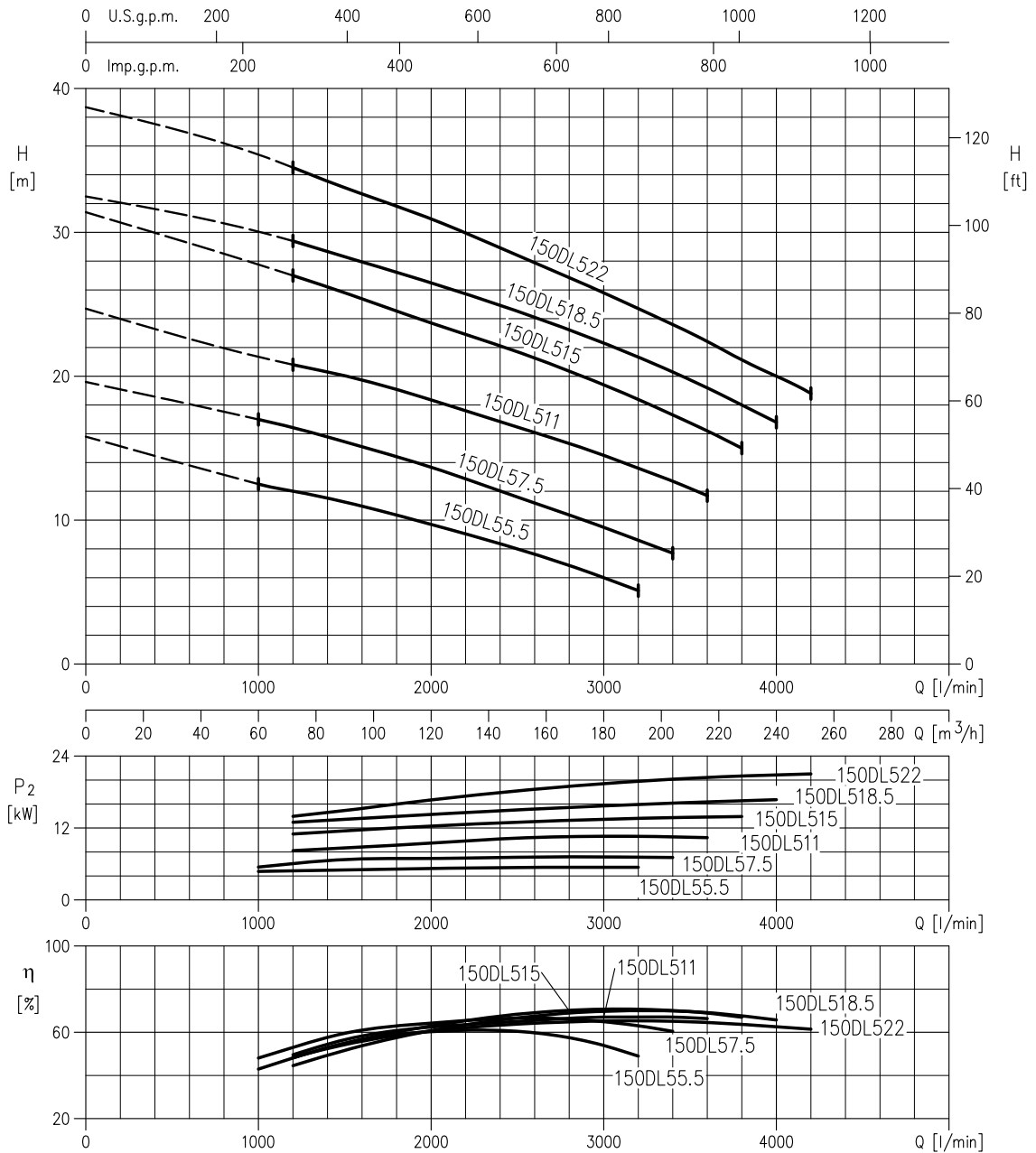
Rotation speed $\approx 1450 \text{ min}^{-1}$
 Test standard: ISO 9906 – Annex A

100DLC55.5 (5.5 kW)
100DLC57.5 (7.5 kW)



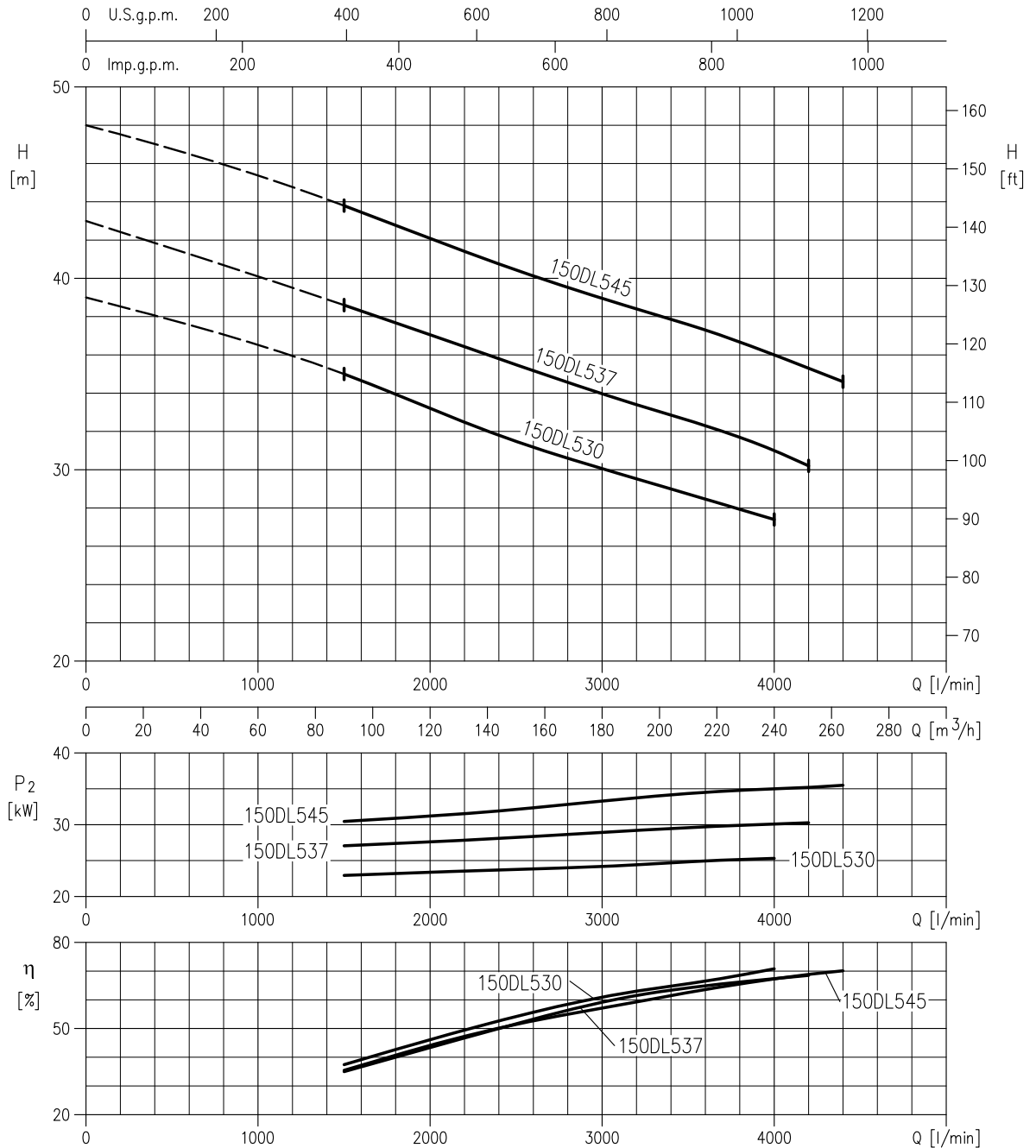
Rotation speed $\approx 1450 \text{ min}^{-1}$
 Test standard: ISO 9906 – Annex A

150DL55.5 (5.5 kW)
150DL57.5 (7.5 kW)
150DL511 (11 kW)
150DL515 (15 kW)
150DL518.5 (18.5 kW)
150DL522 (22 kW)



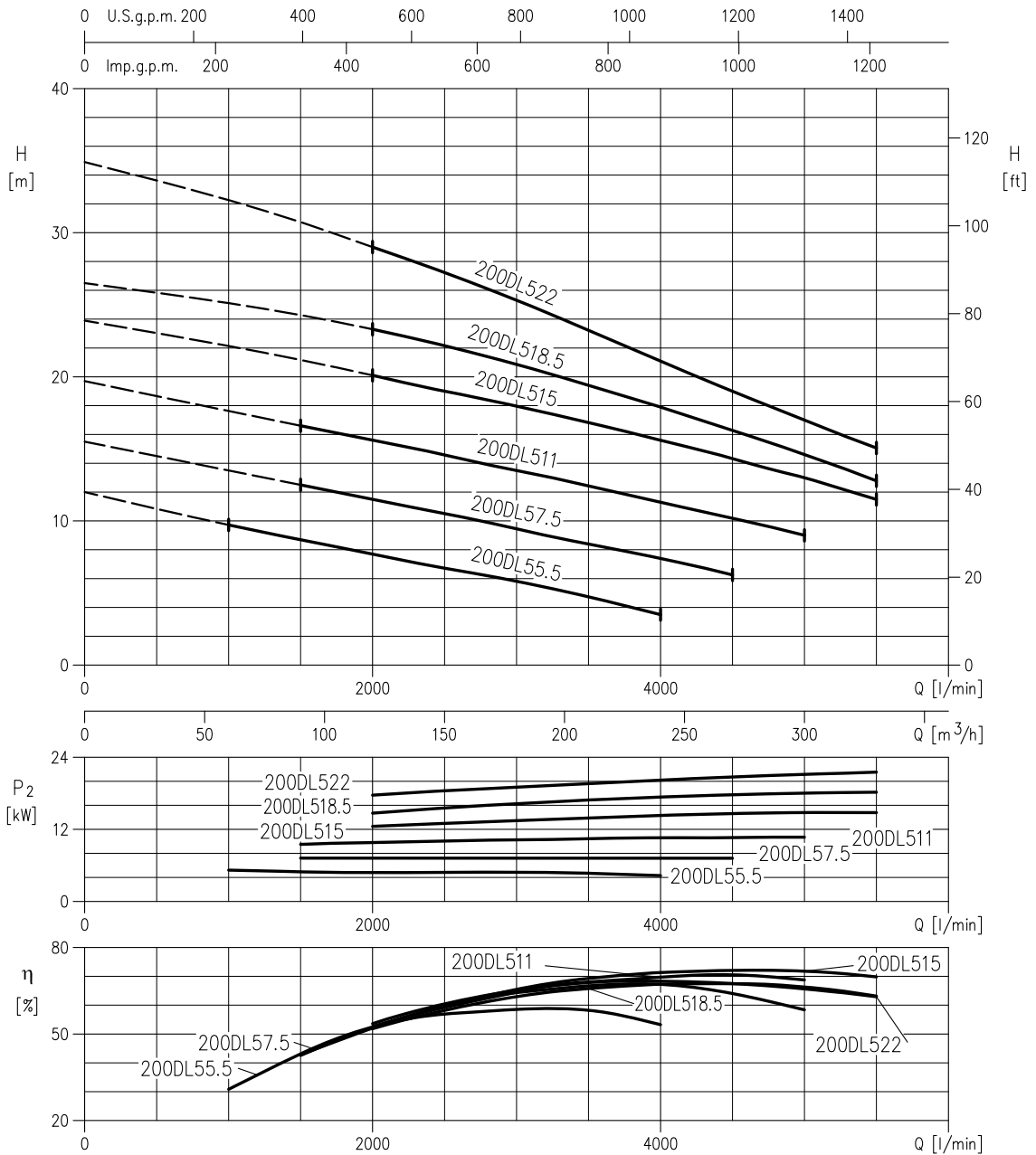
Rotation speed $\approx 1450 \text{ min}^{-1}$
 Test standard: ISO 9906 – Annex A

**150DL530 (30 kW)
150DL537 (37 kW)
150DL545 (45 kW)**



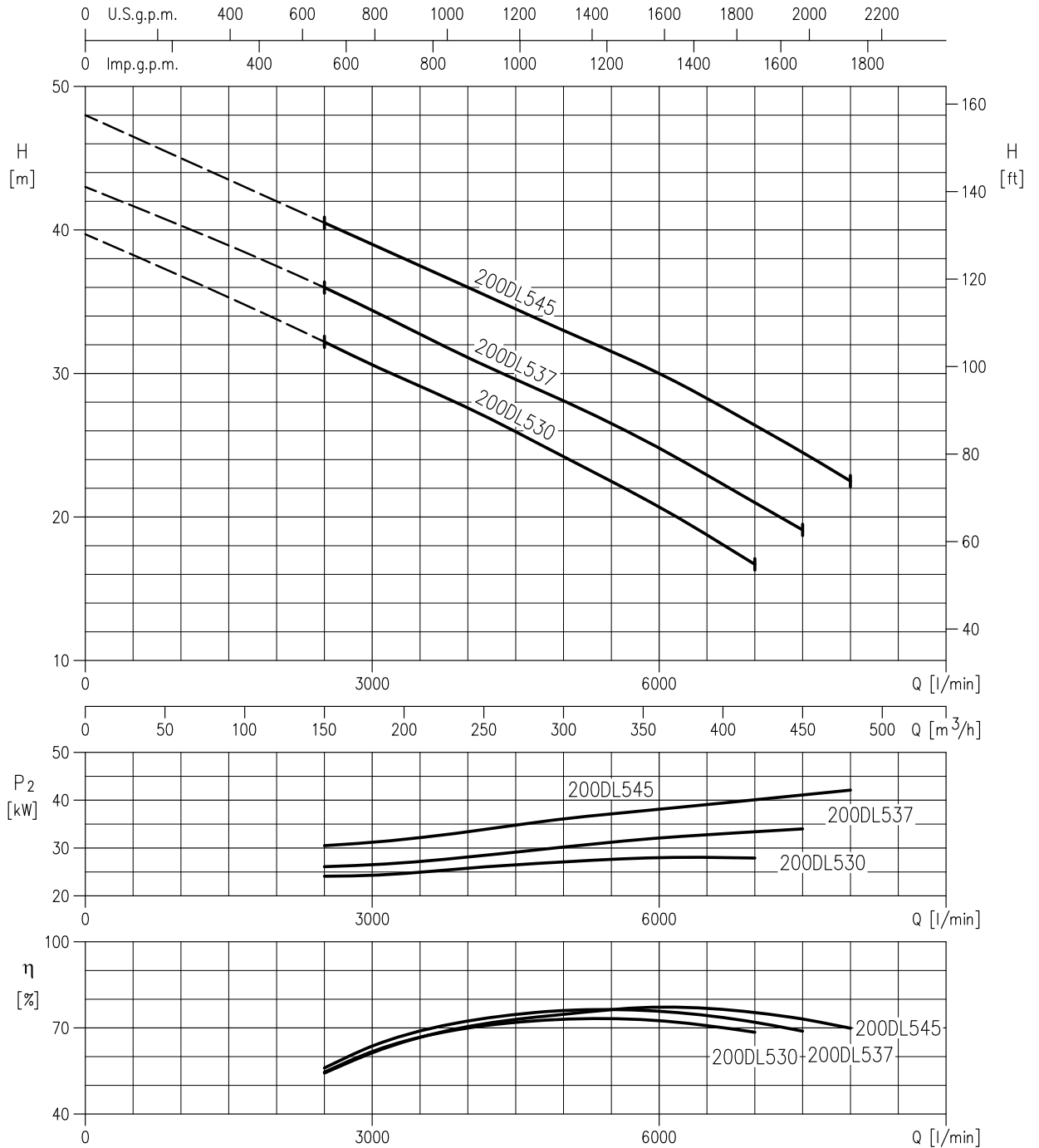
Rotation speed $\approx 1450 \text{ min}^{-1}$
Test standard: ISO 9906 – Annex A

200DL55.5 (5.5 kW)
200DL57.5 (7.5 kW)
200DL511 (11 kW)
200DL515 (15 kW)
200DL518.5 (18.5 kW)
200DL522 (22 kW)



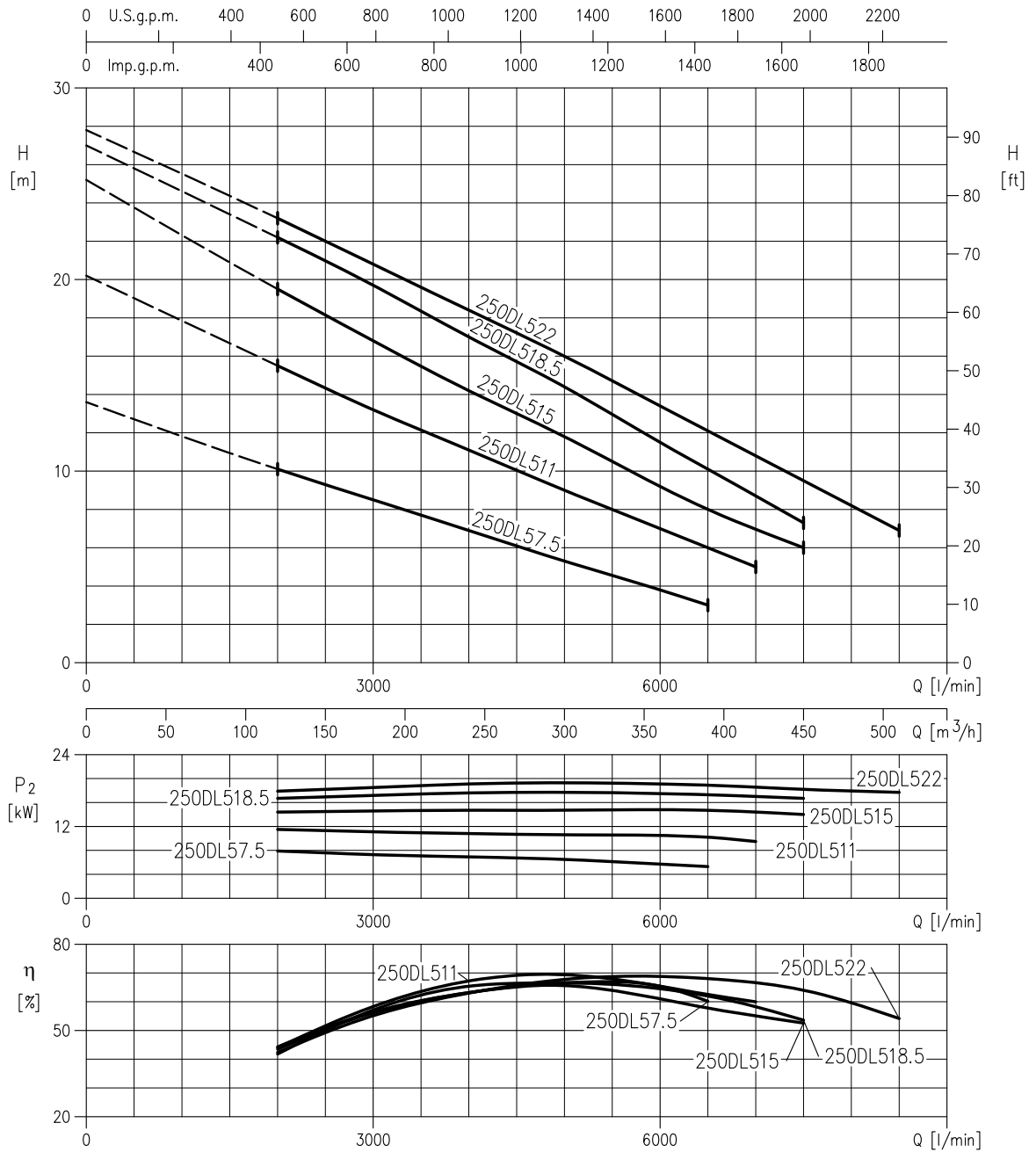
Rotation speed $\approx 1450 \text{ min}^{-1}$
 Test standard: ISO 9906 – Annex A

200DL530 (30 kW)
200DL537 (37 kW)
200DL545 (45 kW)



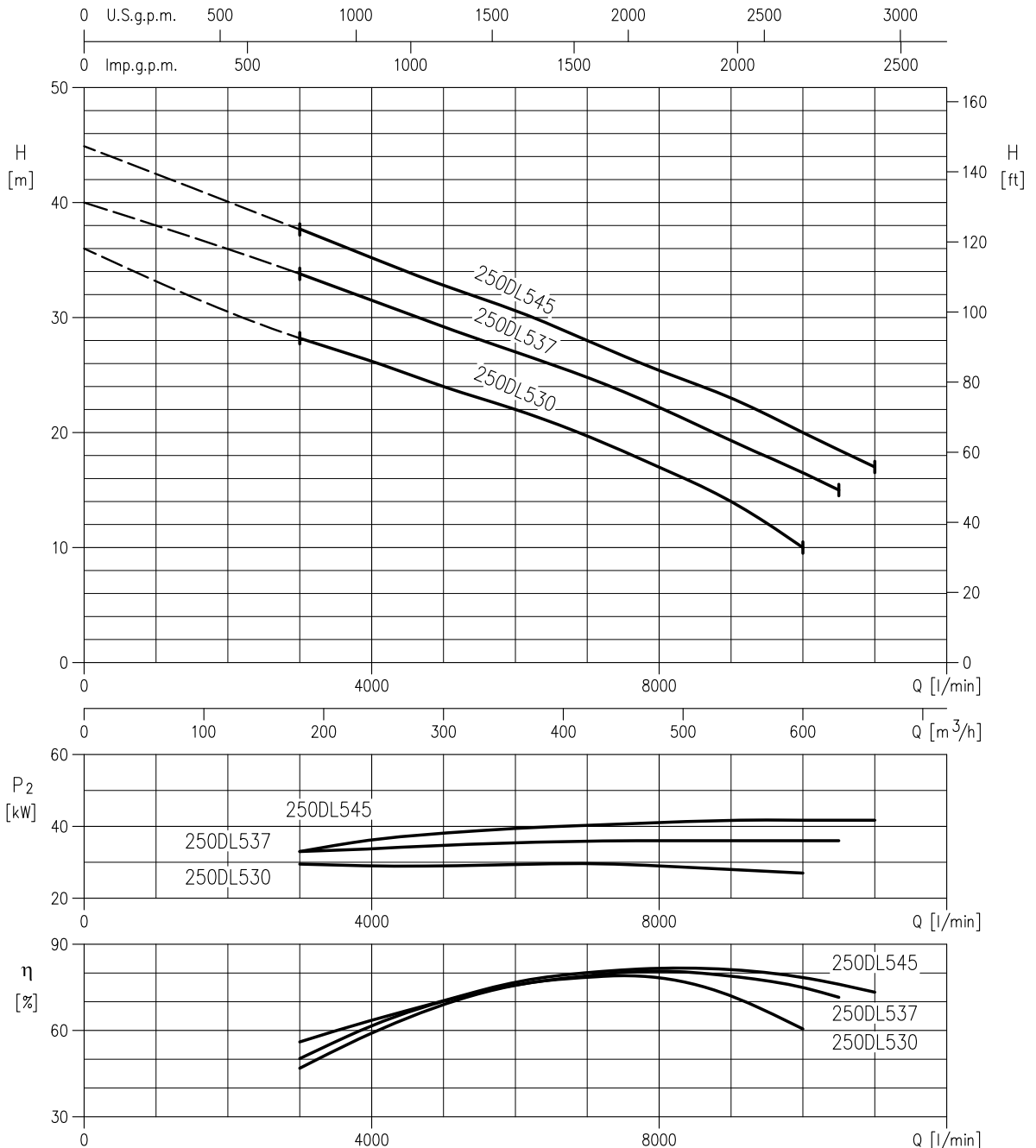
Rotation speed $\approx 1450 \text{ min}^{-1}$
 Test standard: ISO 9906 – Annex A

250DL57.5 (7.5 kW)
250DL511 (11 kW)
250DL515 (15 kW)
250DL518.5 (18.5 kW)
250DL522 (22 kW)



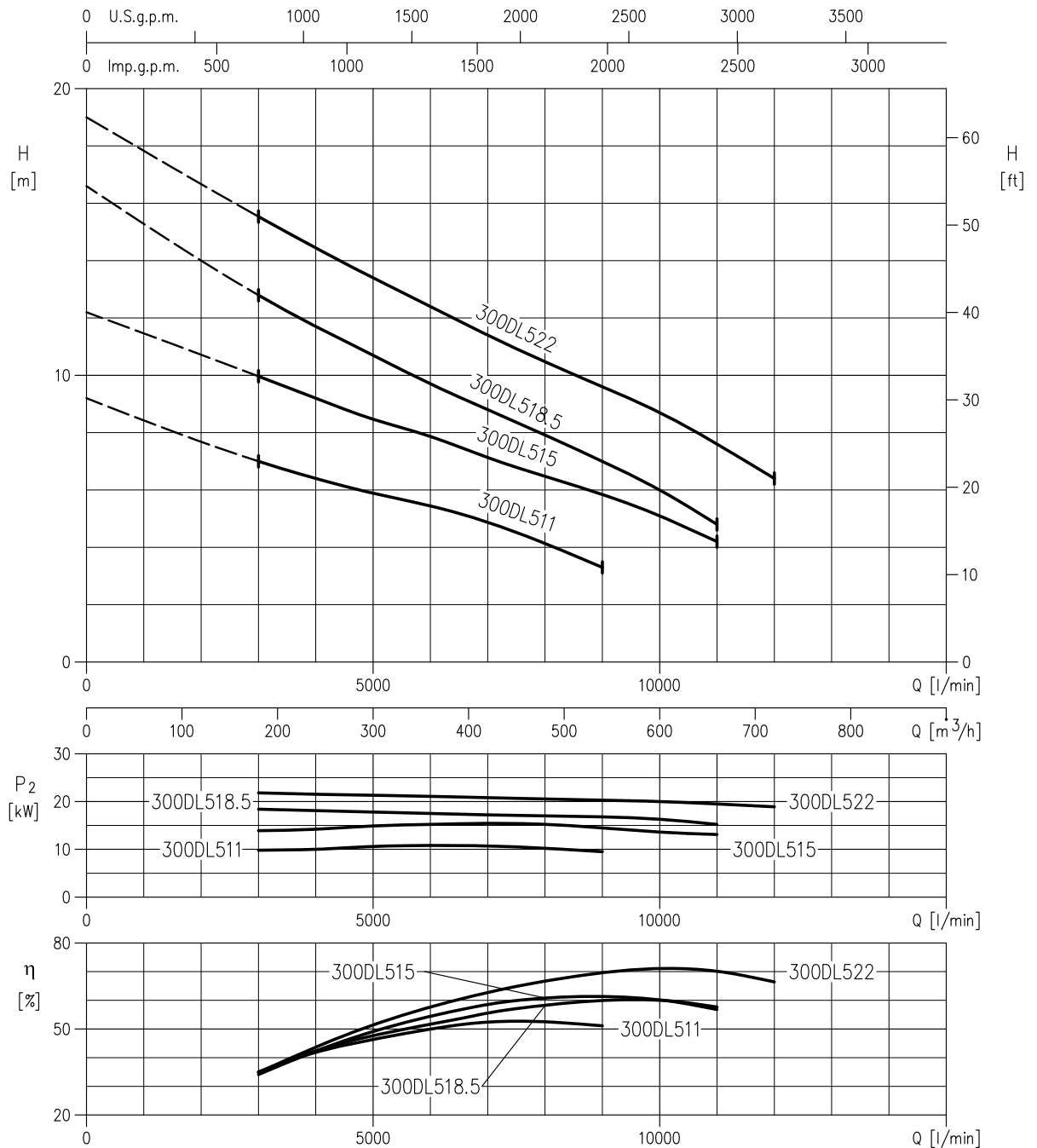
Rotation speed $\approx 1450 \text{ min}^{-1}$
 Test standard: ISO 9906 – Annex A

250DL530 (30 kW)
250DL537 (37 kW)
250DL545 (45 kW)



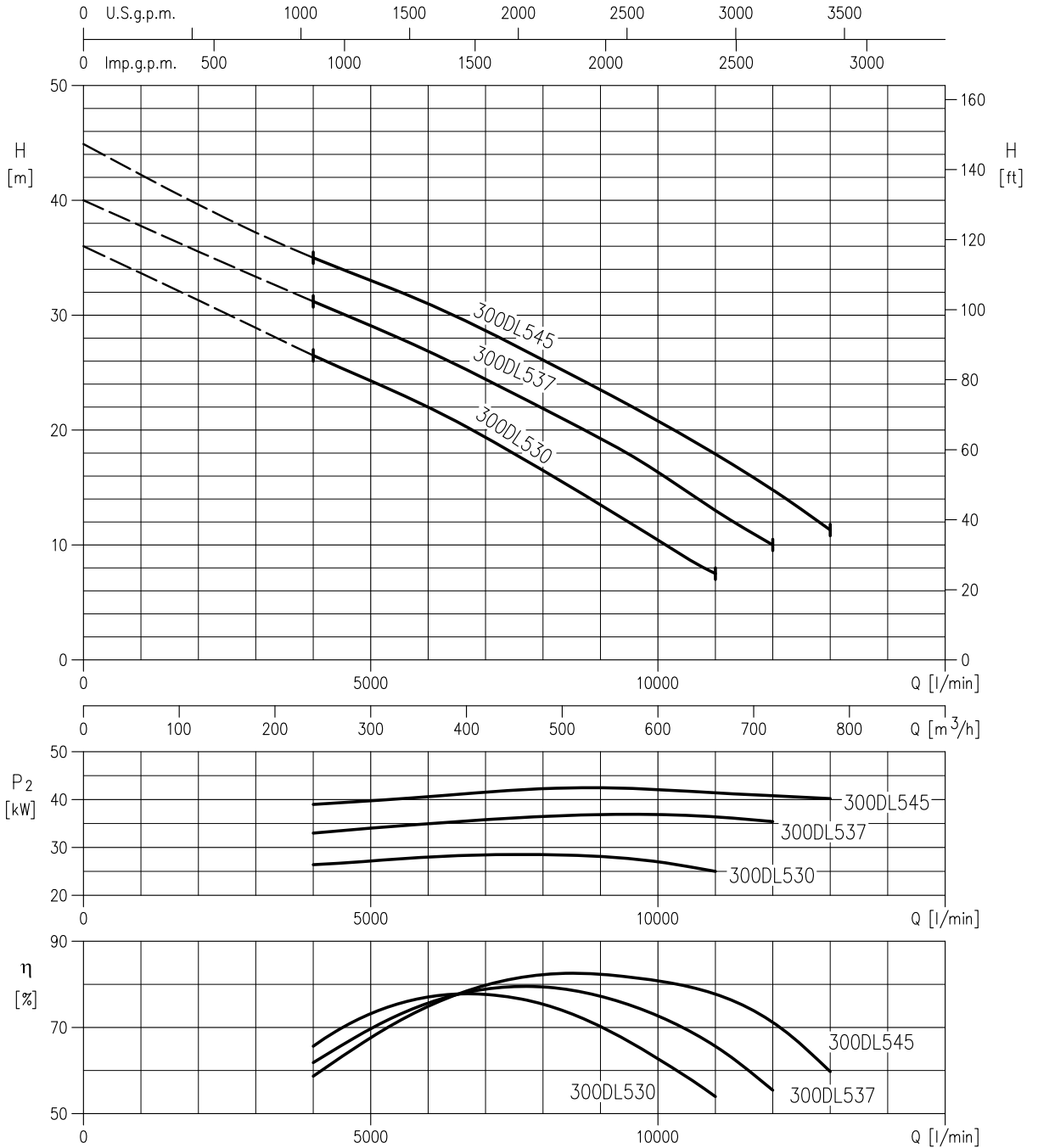
Rotation speed $\approx 1450 \text{ min}^{-1}$
 Test standard: ISO 9906 – Annex A

300DL511 (11 kW)
300DL515 (15 kW)
300DL518.5 (18.5 kW)
300DL522 (22 kW)



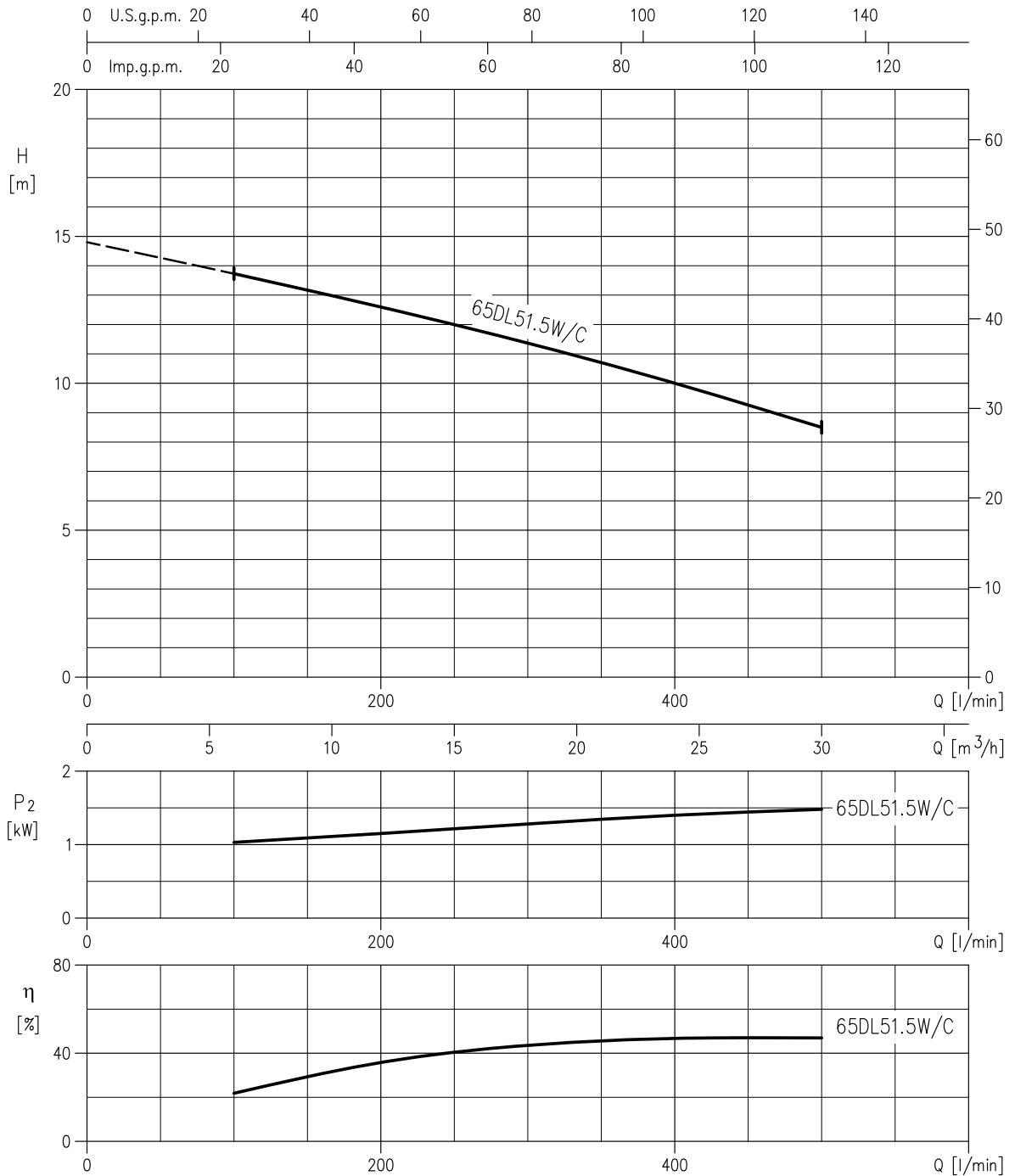
Rotation speed $\approx 1450 \text{ min}^{-1}$
 Test standard: ISO 9906 – Annex A

300DL530 (30 kW)
300DL537 (37 kW)
300DL545 (45 kW)



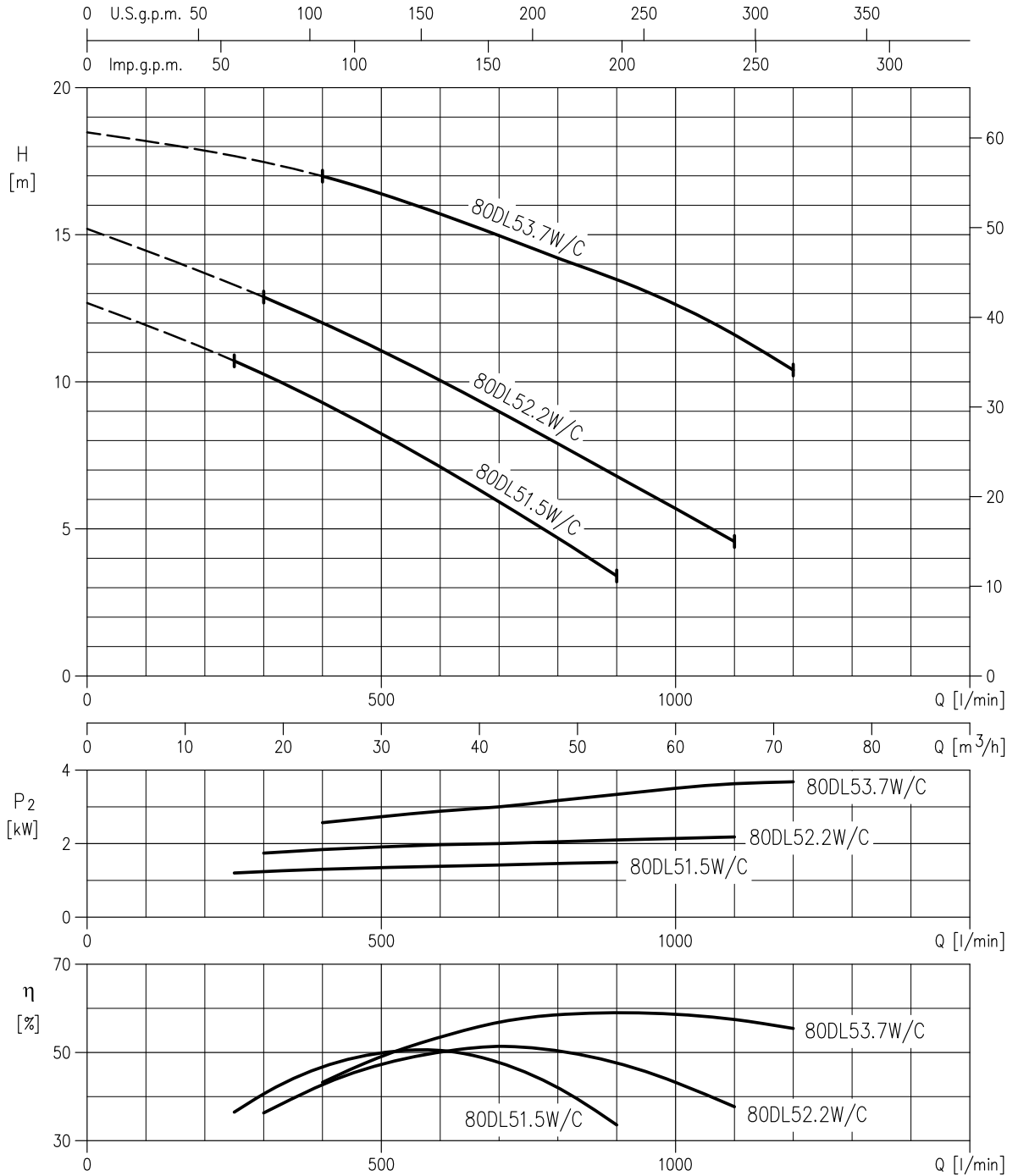
Rotation speed $\approx 1450 \text{ min}^{-1}$
 Test standard: ISO 9906 – Annex A

65DL51.5W/C (1.5 kW)



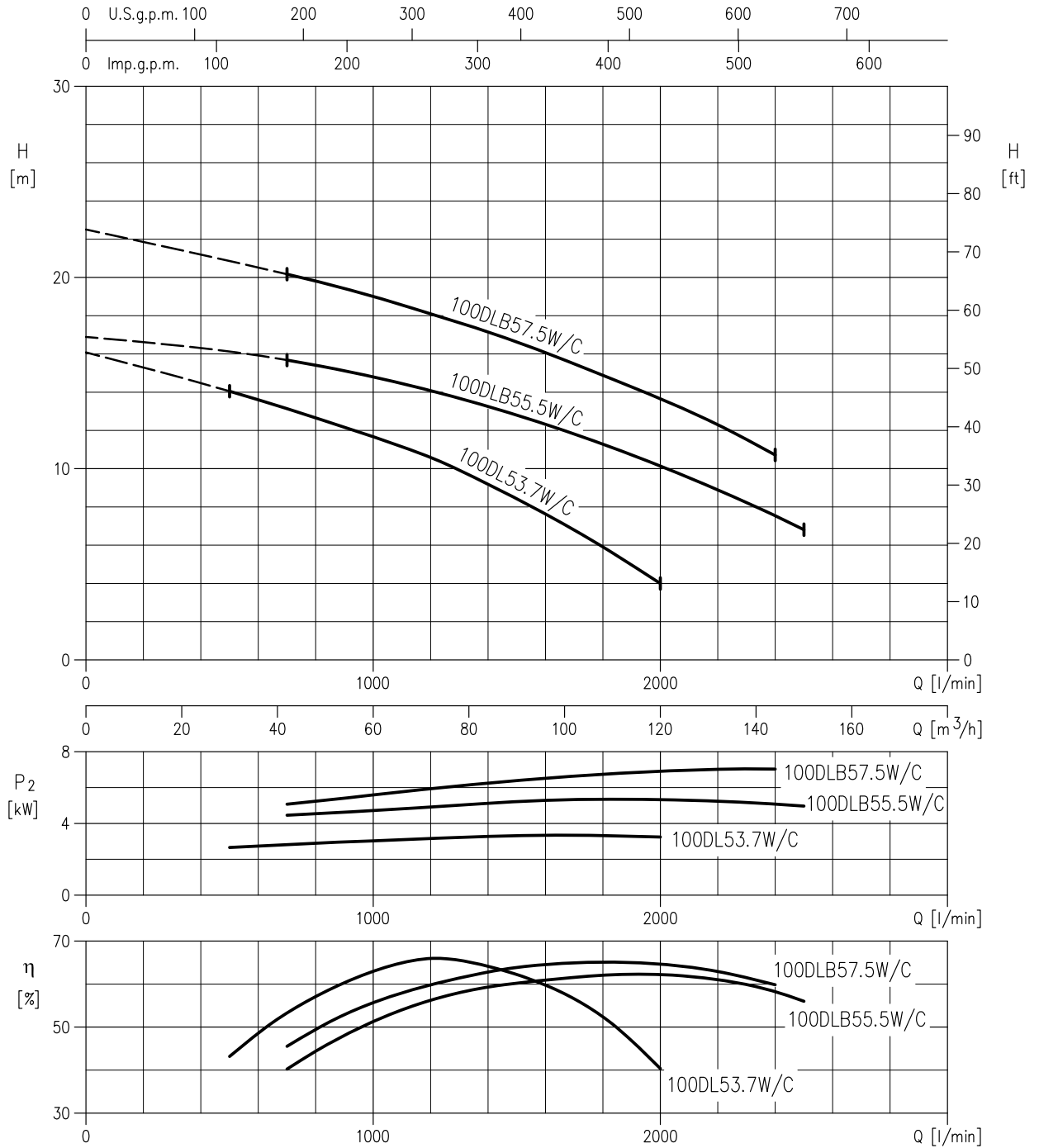
Rotation speed $\approx 1450 \text{ min}^{-1}$
 Test standard: ISO 9906 – Annex A

80DL51.5W/C (1.5 kW)
 80DL52.2W/C (2.2 kW)
 80DL53.7W/C (3.7 kW)



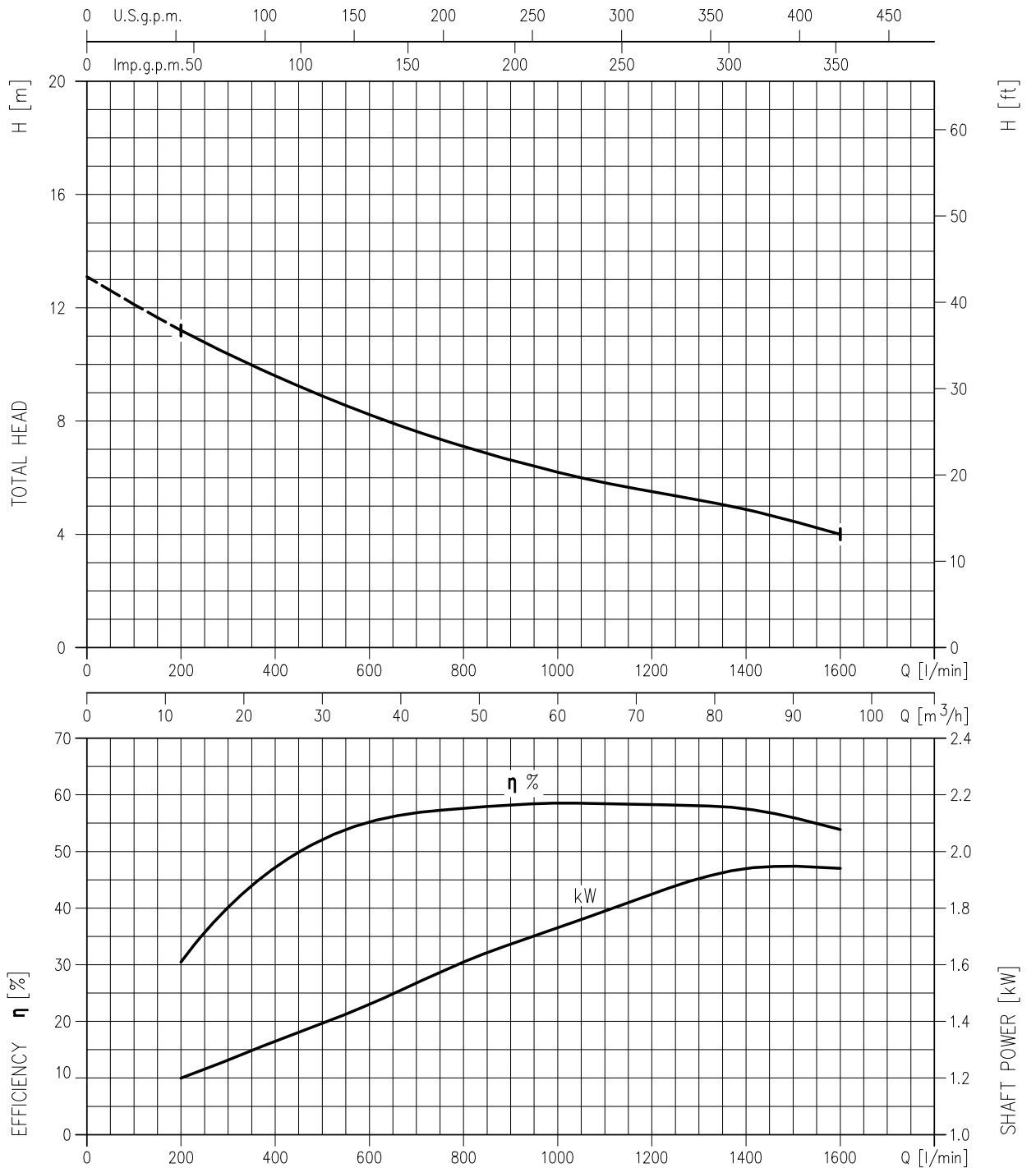
Rotation speed $\approx 1450 \text{ min}^{-1}$
 Test standard: ISO 9906 – Annex A

100DL53.7W/C (3.7 kW)
 100DLB55.5W/C (5.5 kW)
 100DLB57.5W/C (7.5 kW)



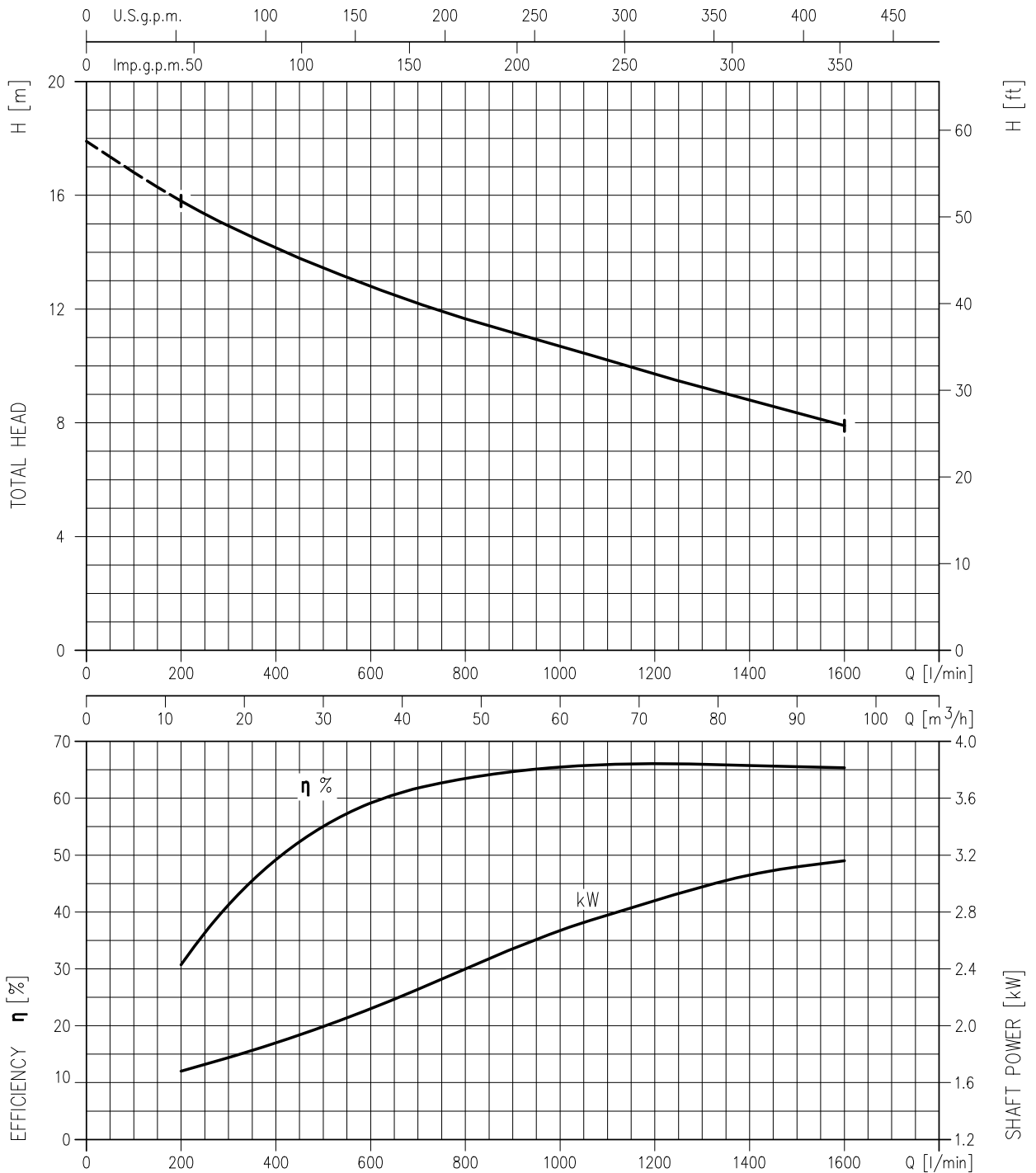
Rotation speed $\approx 1450 \text{ min}^{-1}$
 Test standard: ISO 9906 – Annex A

80DML52.2 (2.2 kW)



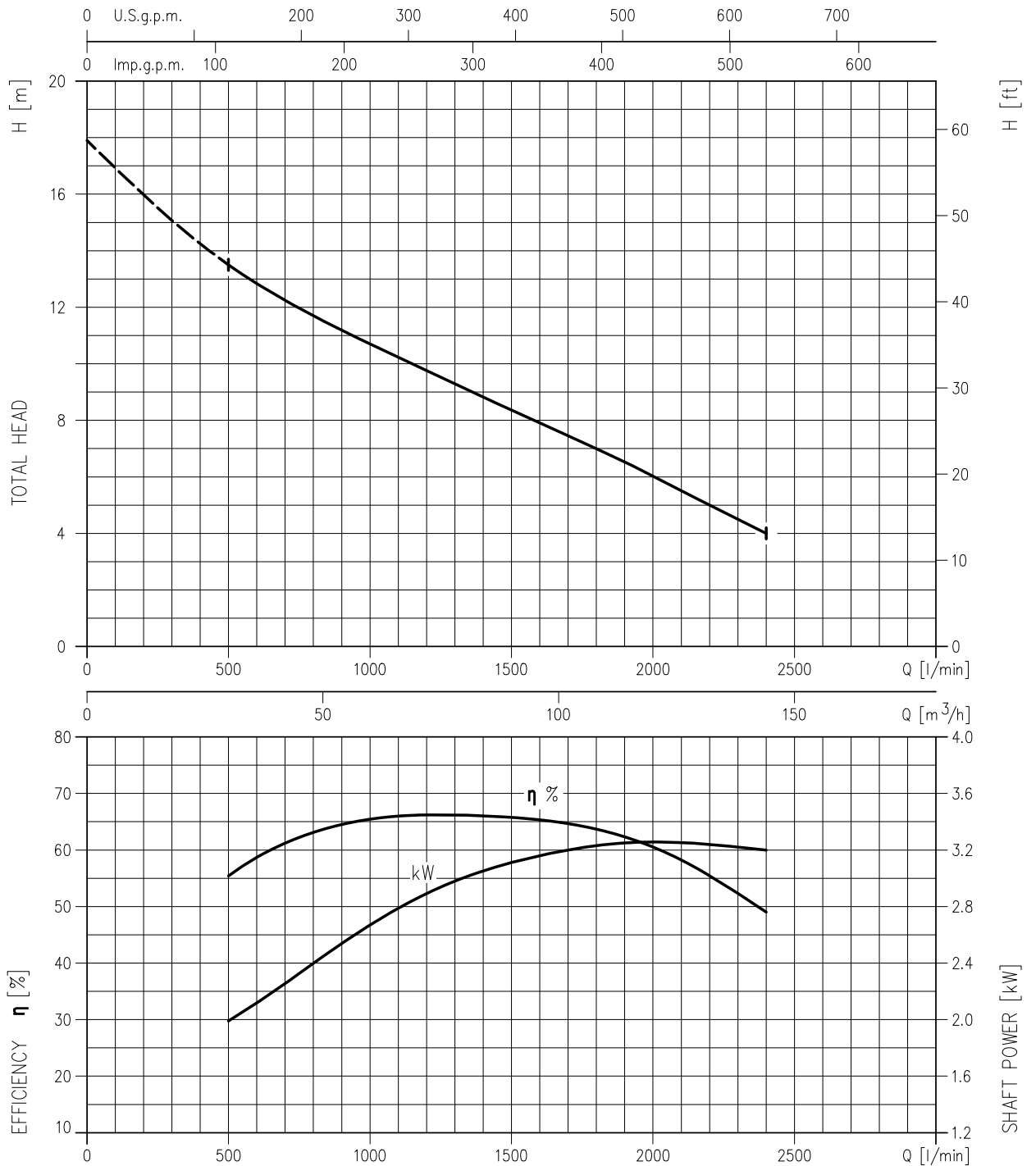
Rotation speed $\approx 1450 \text{ min}^{-1}$
 Test standard: ISO 9906 – Annex A

80DML53.7 (3.7 kW)



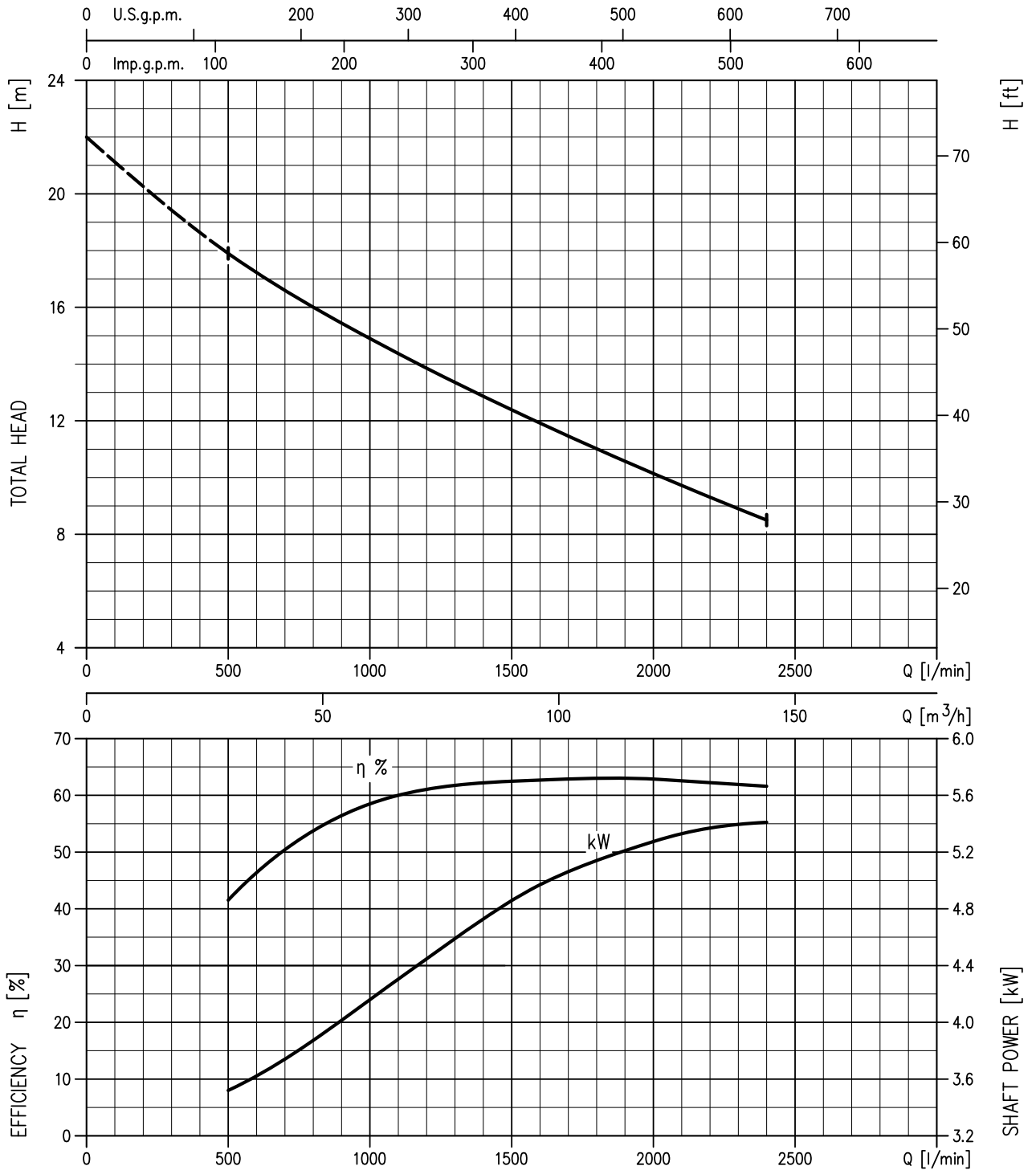
Rotation speed $\approx 1450 \text{ min}^{-1}$
 Test standard: ISO 9906 – Annex A

100DML53.7 (3.7 kW)



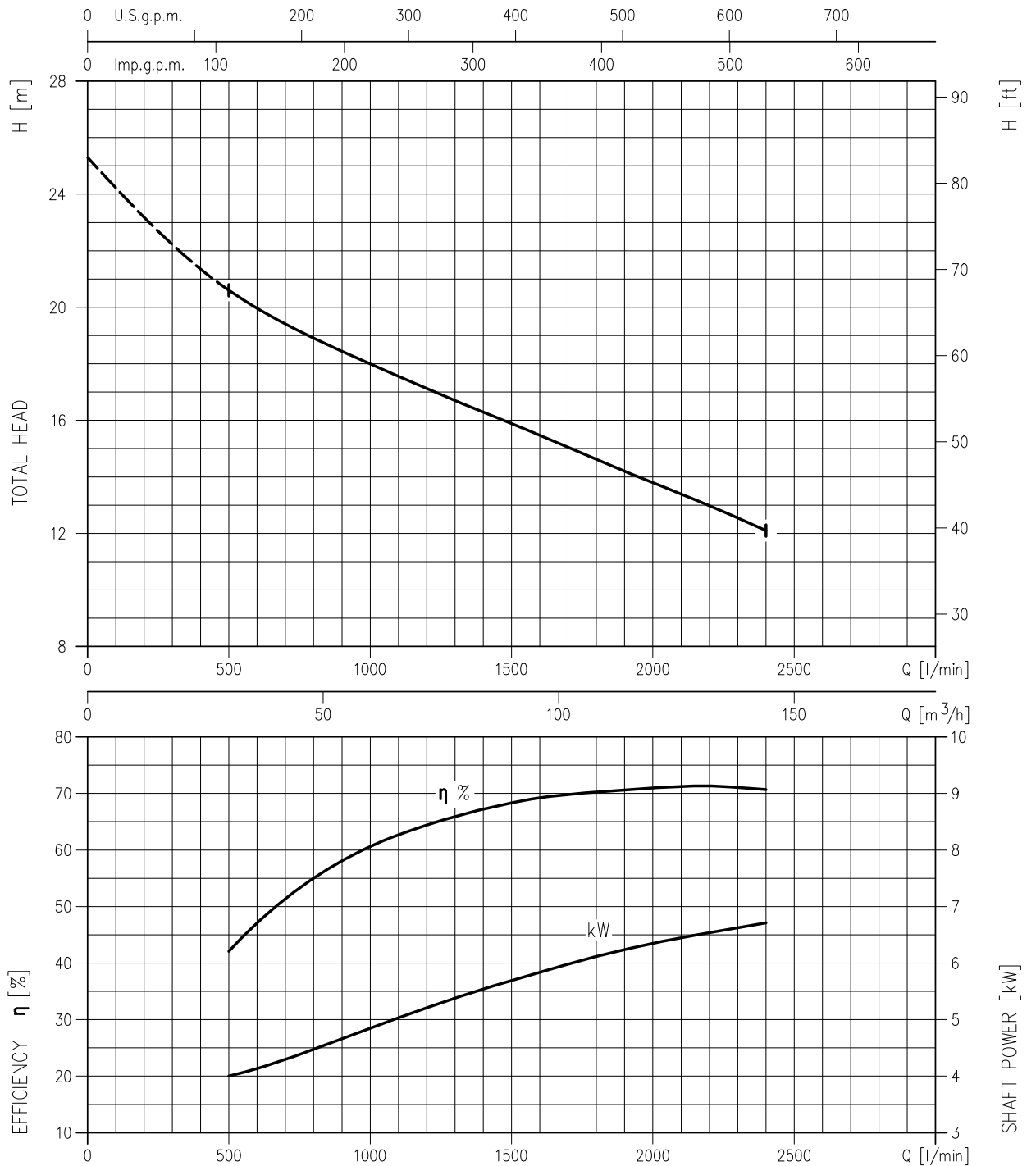
Rotation speed $\approx 1450 \text{ min}^{-1}$
 Test standard: ISO 9906 – Annex A

100DML55.5 (5.5 kW)



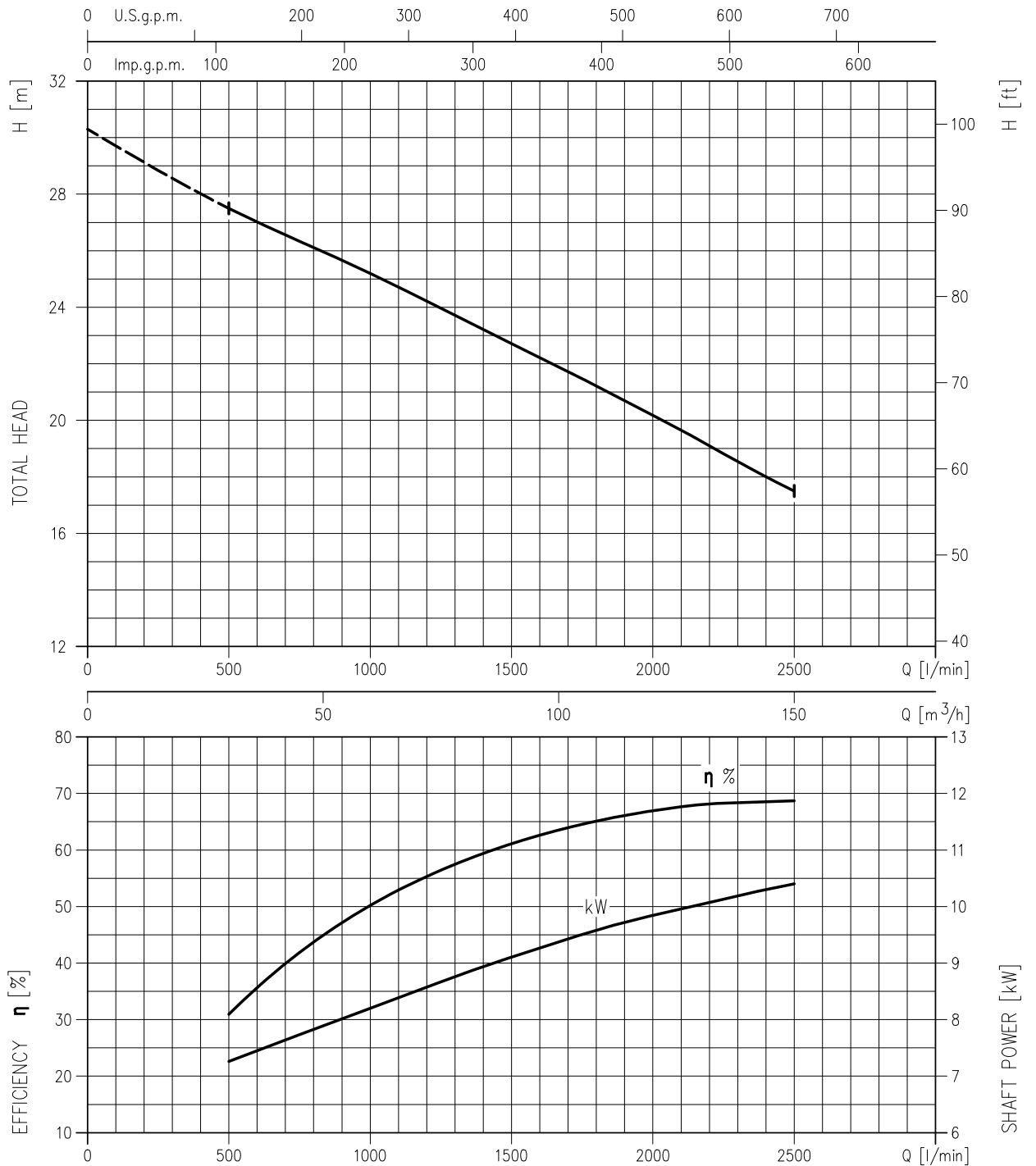
Rotation speed $\approx 1450 \text{ min}^{-1}$
 Test standard: ISO 9906 – Annex A

100DML57.5 (7.5 kW)



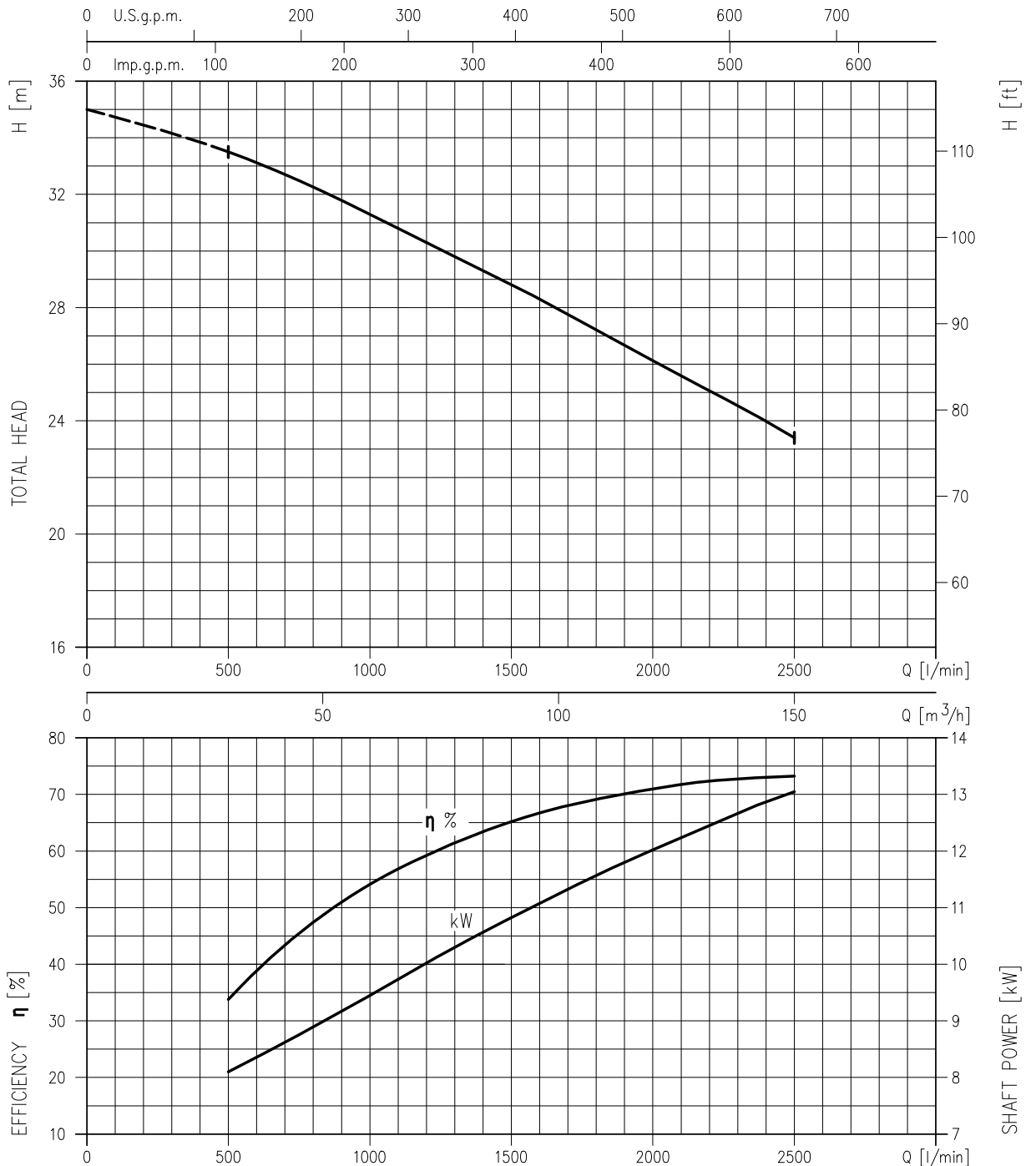
Rotation speed $\approx 1450 \text{ min}^{-1}$
 Test standard: ISO 9906 – Annex A

100DML511 (11 kW)



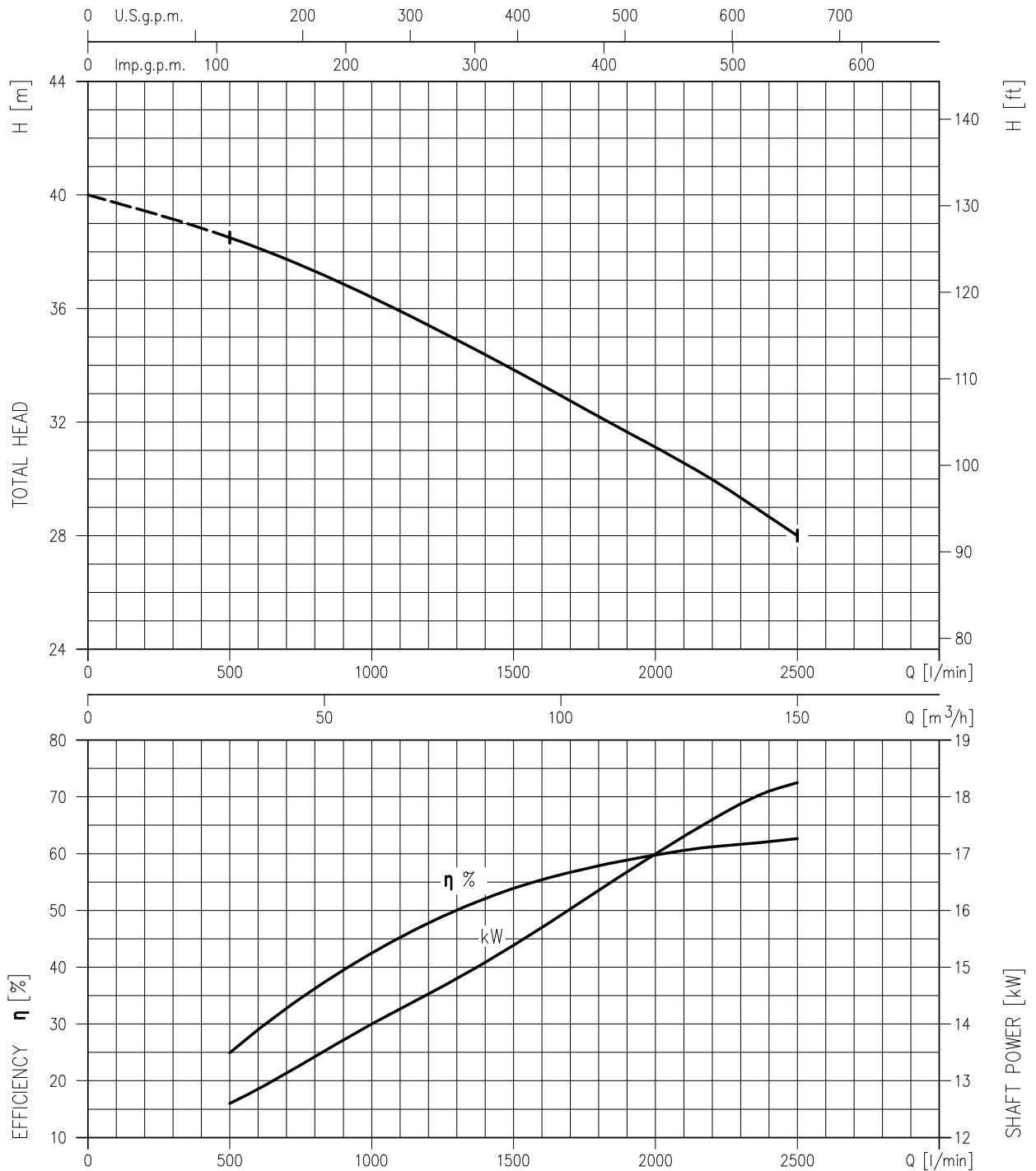
Rotation speed $\approx 1450 \text{ min}^{-1}$
 Test standard: ISO 9906 – Annex A

100DML515 (15 kW)



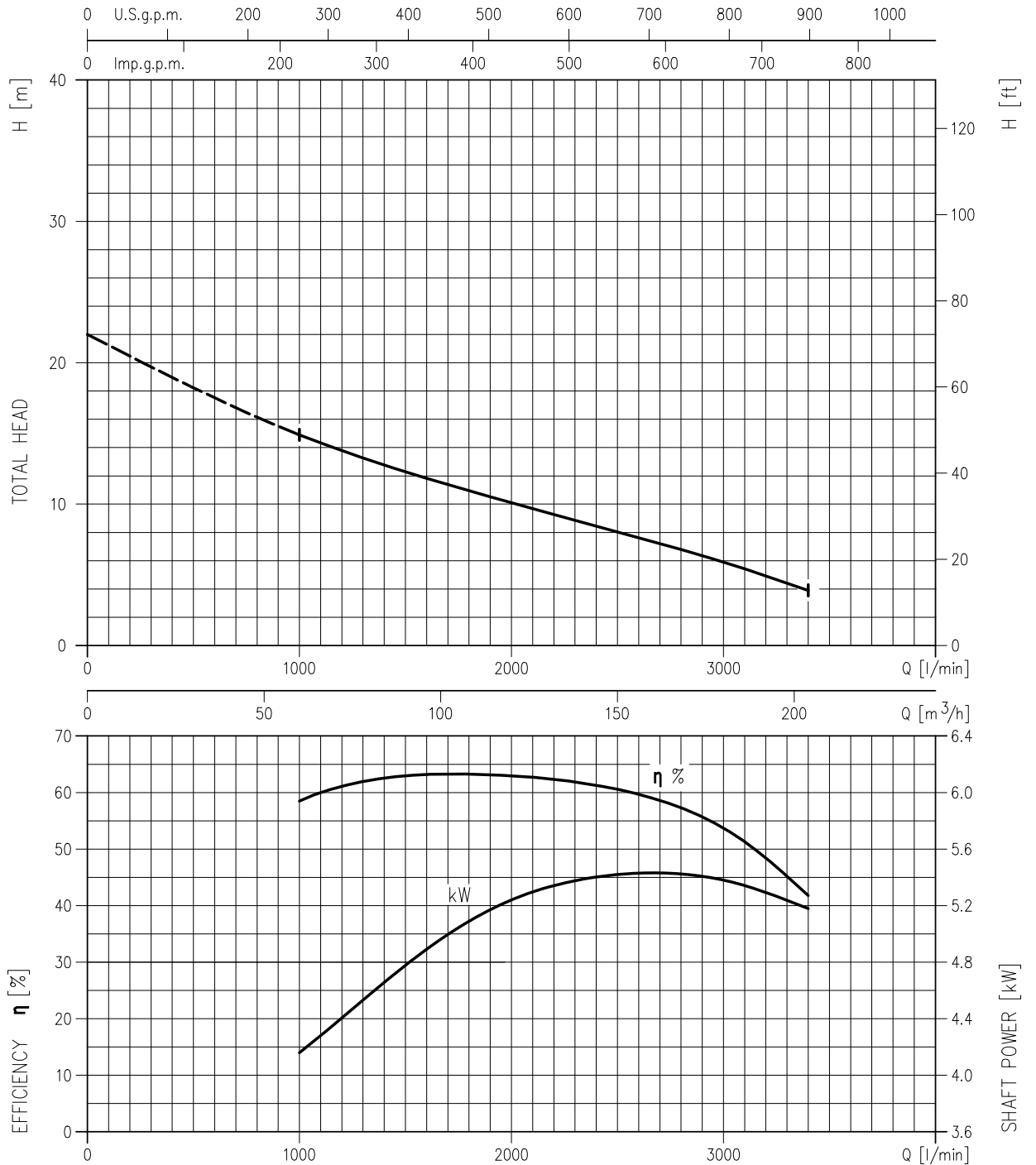
Rotation speed $\approx 1450 \text{ min}^{-1}$
 Test standard: ISO 9906 – Annex A

100DML522 (22 kW)



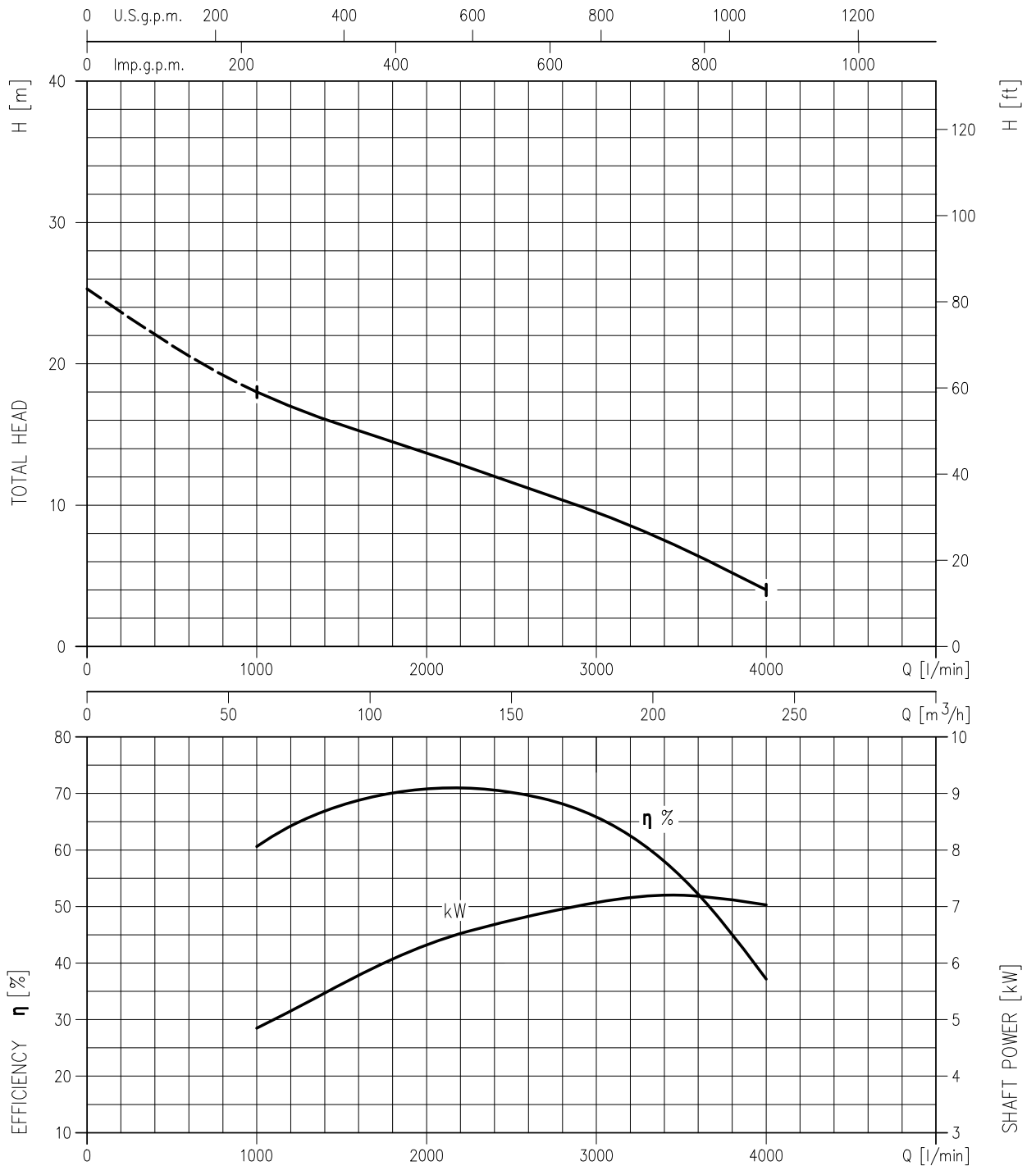
Rotation speed $\approx 1450 \text{ min}^{-1}$
 Test standard: ISO 9906 – Annex A

150DML55.5 (5.5 kW)



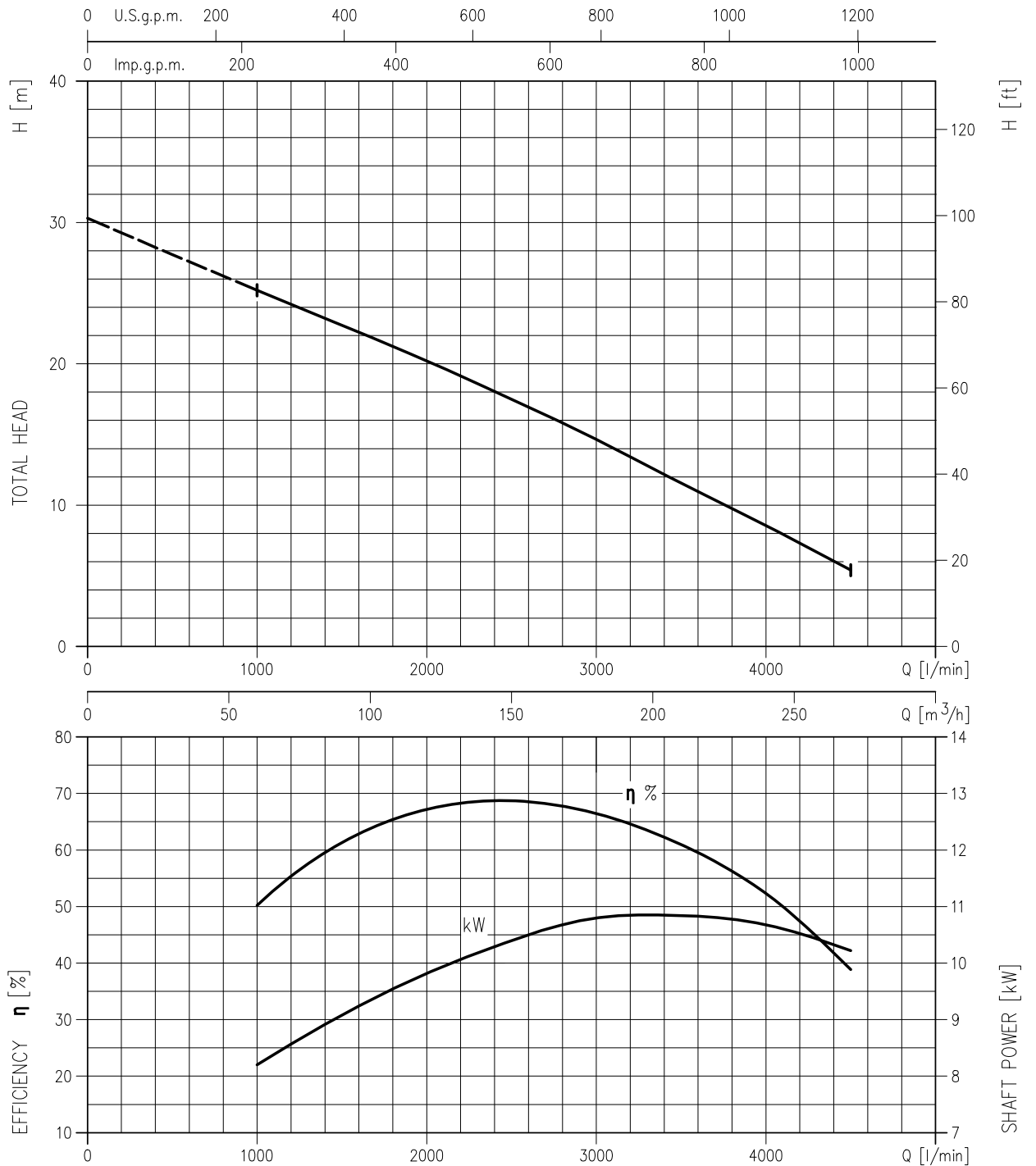
Rotation speed $\approx 1450 \text{ min}^{-1}$
 Test standard: ISO 9906 – Annex A

150DML57.5 (7.5 kW)



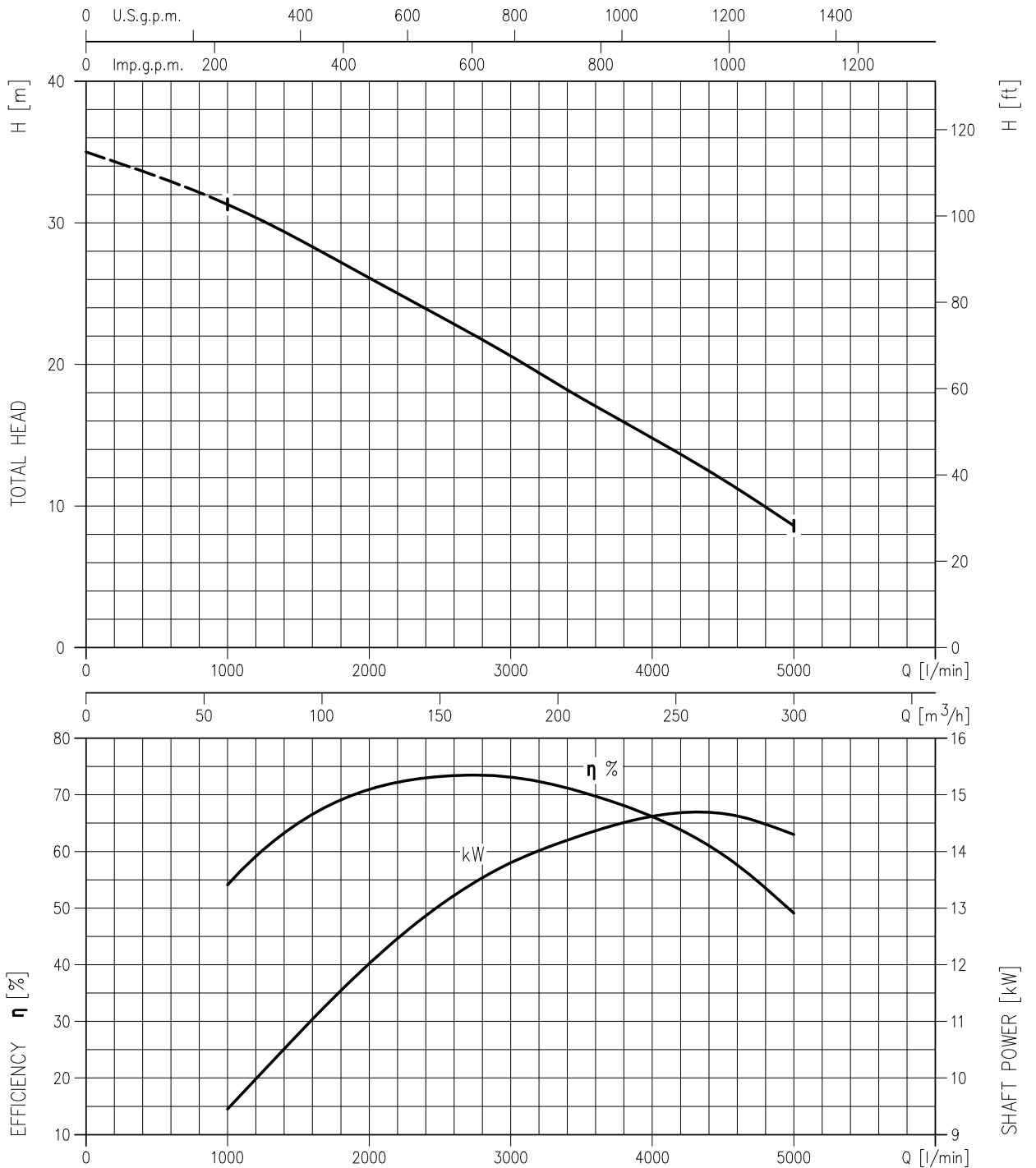
Rotation speed $\approx 1450 \text{ min}^{-1}$
 Test standard: ISO 9906 – Annex A

150DML511 (11 kW)



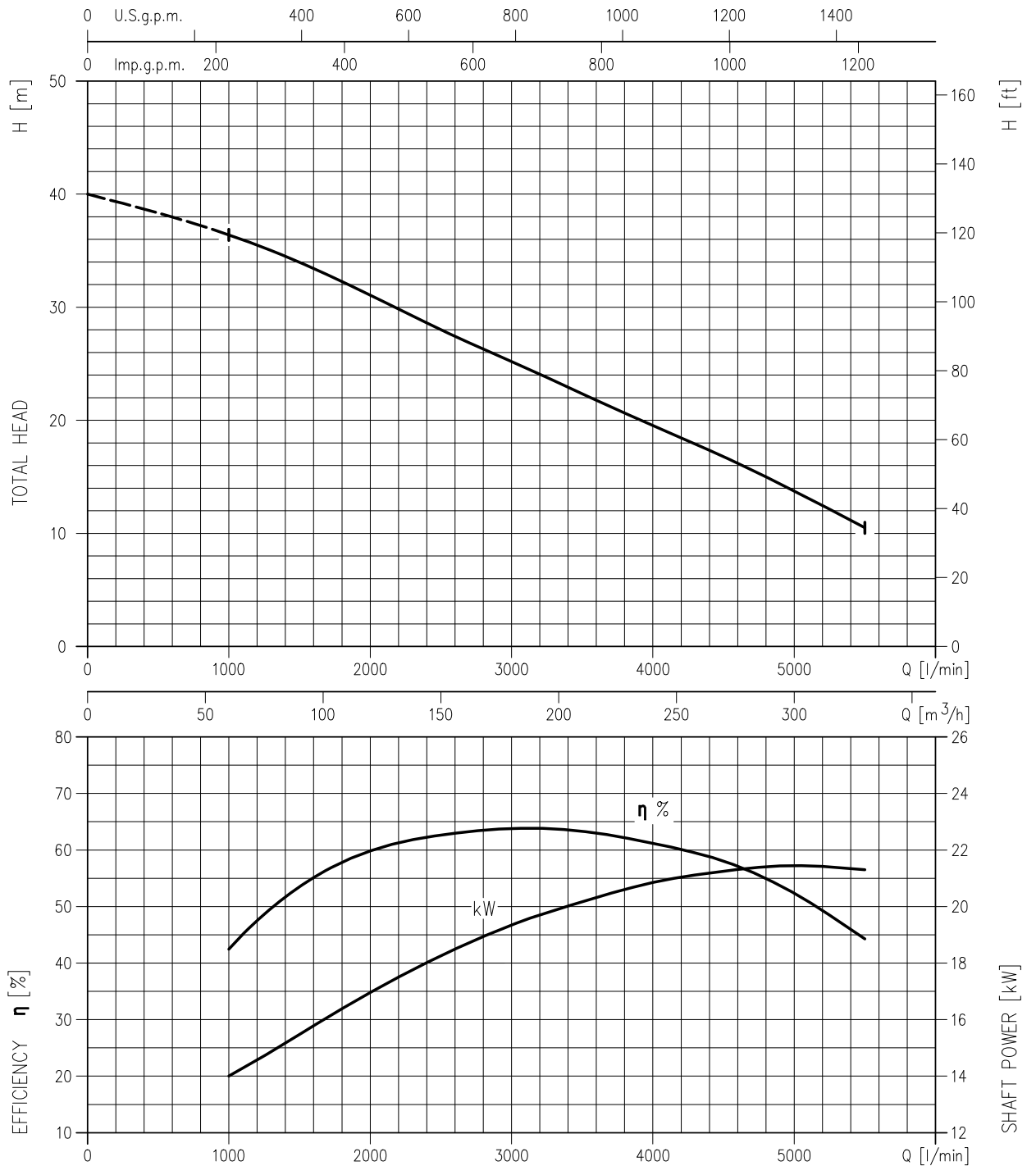
Rotation speed $\approx 1450 \text{ min}^{-1}$
 Test standard: ISO 9906 – Annex A

150DML515 (15 kW)



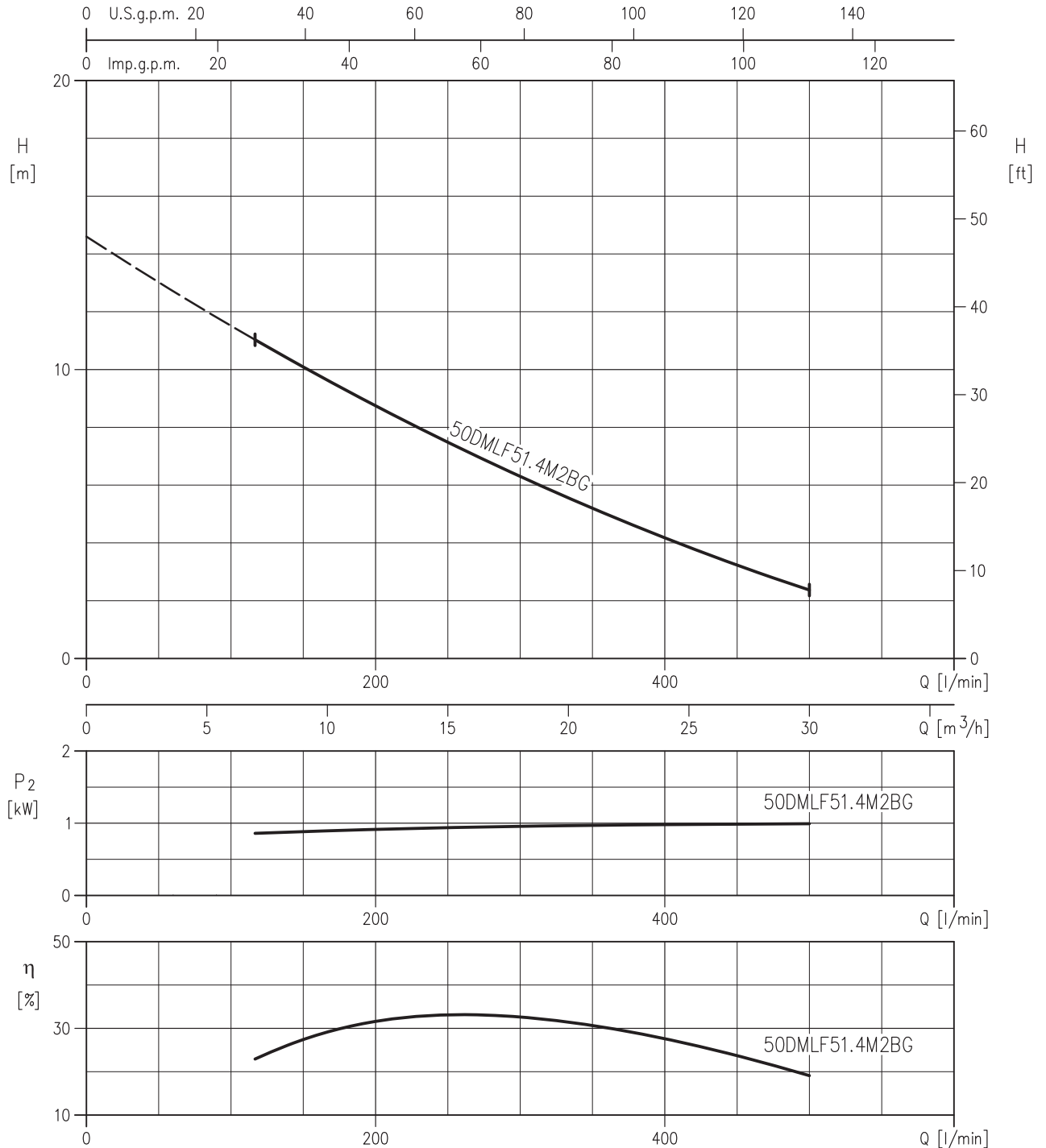
Rotation speed $\approx 1450 \text{ min}^{-1}$
 Test standard: ISO 9906 – Annex A

150DML522 (22 kW)



Rotation speed $\approx 1450 \text{ min}^{-1}$
 Test standard: ISO 9906 – Annex A

50DMLF51.4M2BG (1.4 kW)



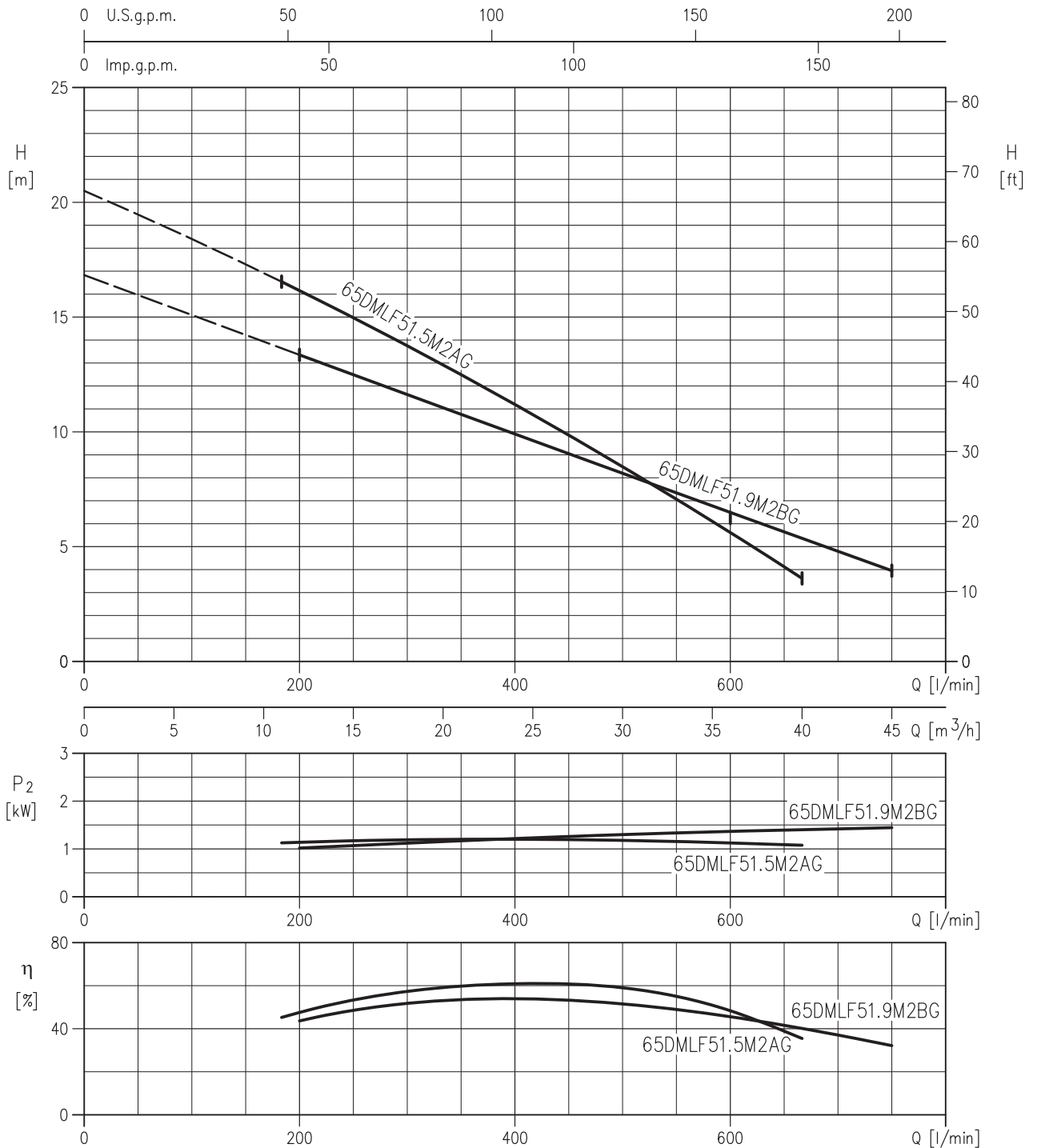
Rotation speed $\approx 2850 \text{ min}^{-1}$
 Test standard: ISO 9906 – Annex A

PERFORMANCE CURVE

50 Hz

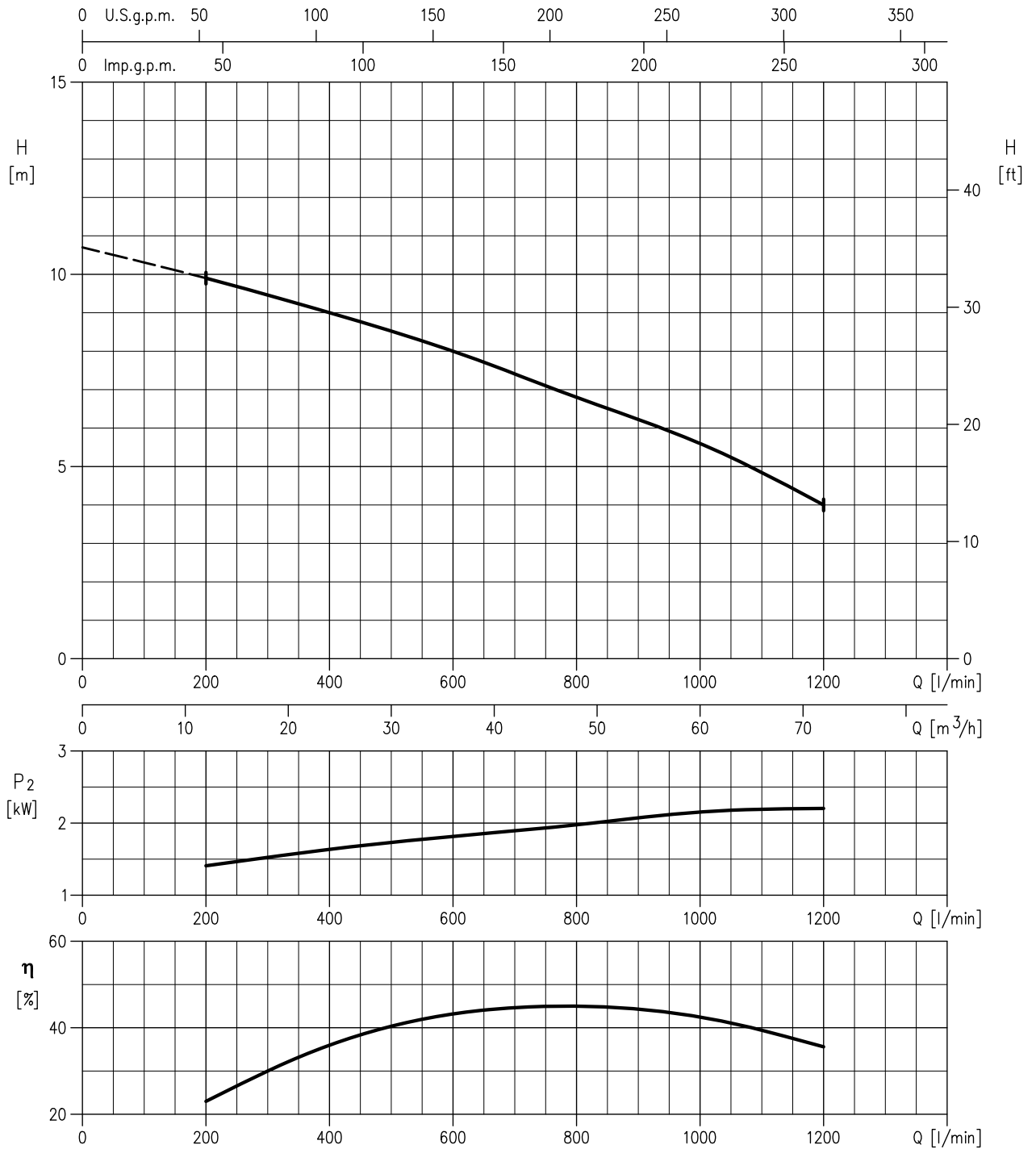
Rev. E

65DMLF51.5M2AG (1.5 kW)
65DMLF51.9M2BG (1.9 kW)

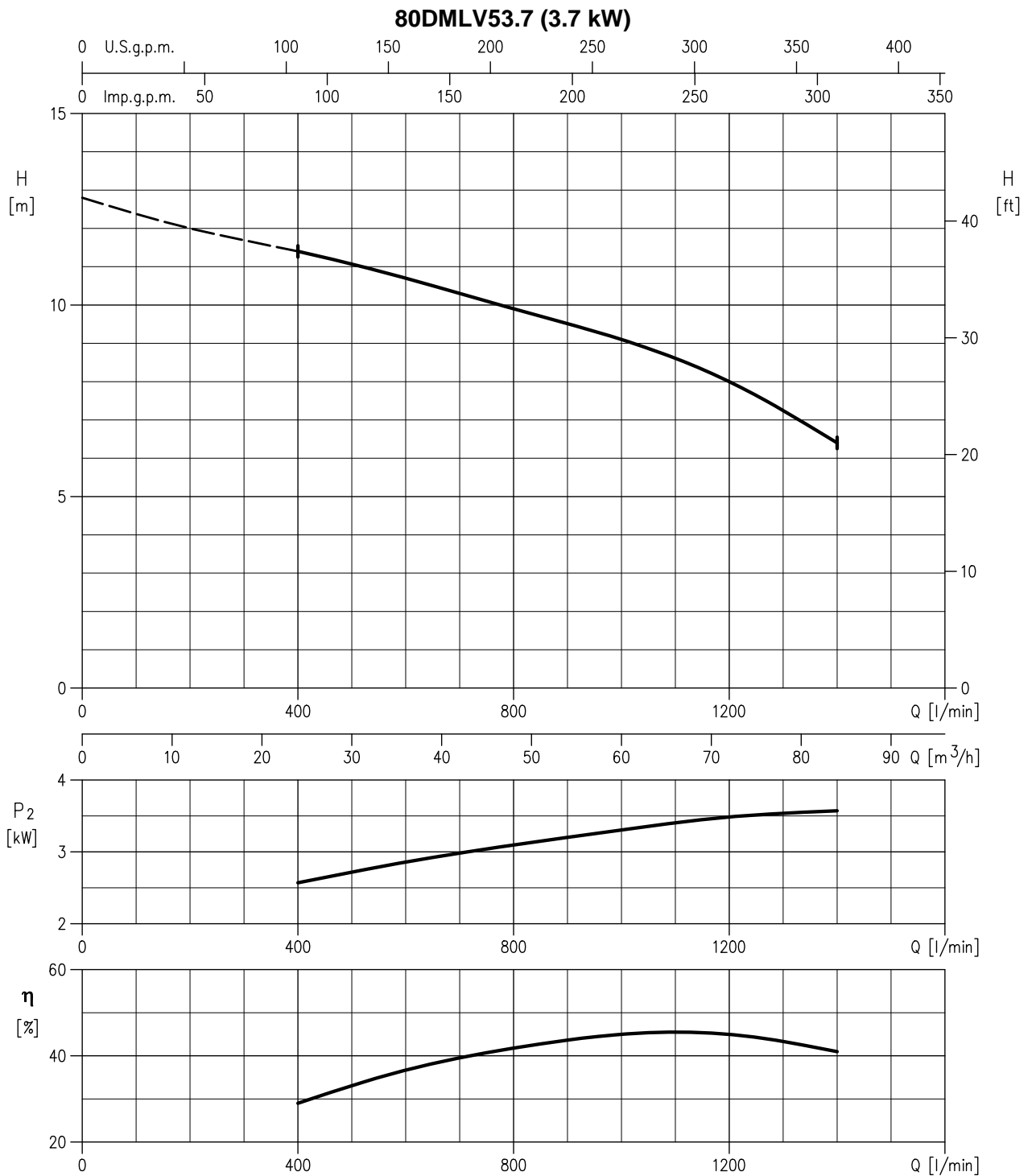


Rotation speed $\approx 2850 \text{ min}^{-1}$
 Test standard: ISO 9906 – Annex A

80DMLV52.2 (2.2 kW)

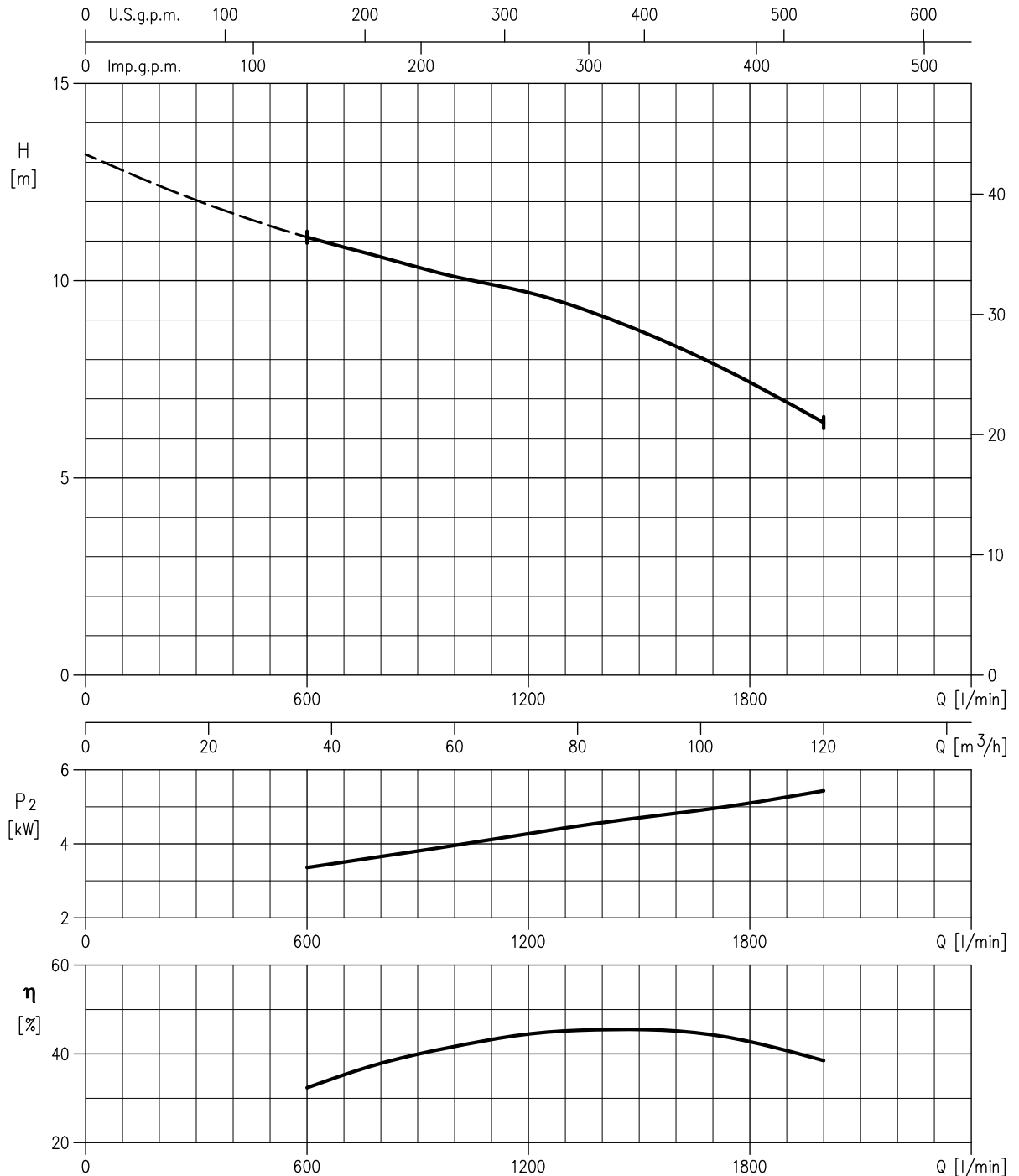


Rotation speed $\approx 1450 \text{ min}^{-1}$
 Test standard: ISO 9906 – Annex A

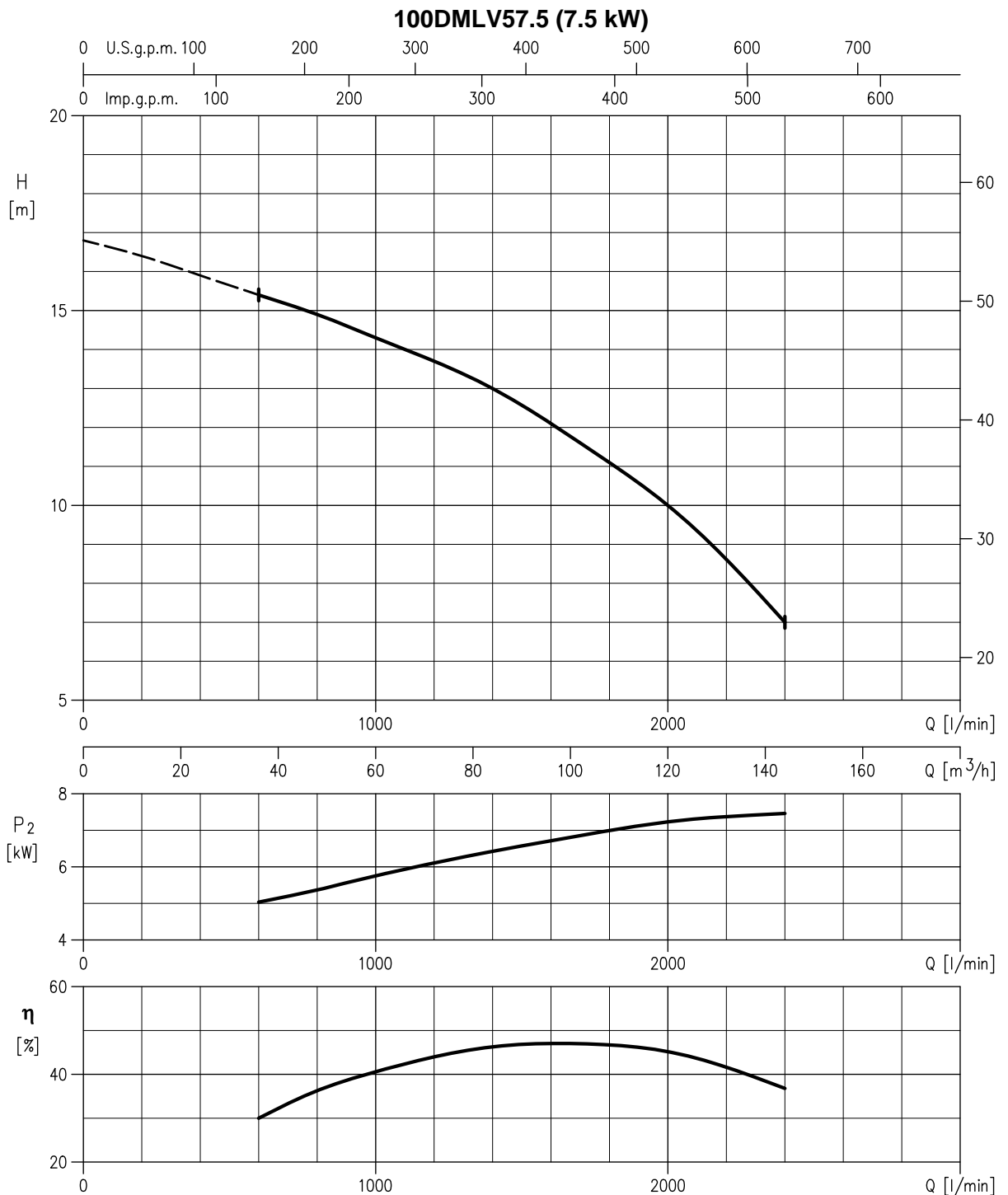


Rotation speed $\approx 1450 \text{ min}^{-1}$
 Test standard: ISO 9906 – Annex A

100DMLV55.5 (5.5 kW)

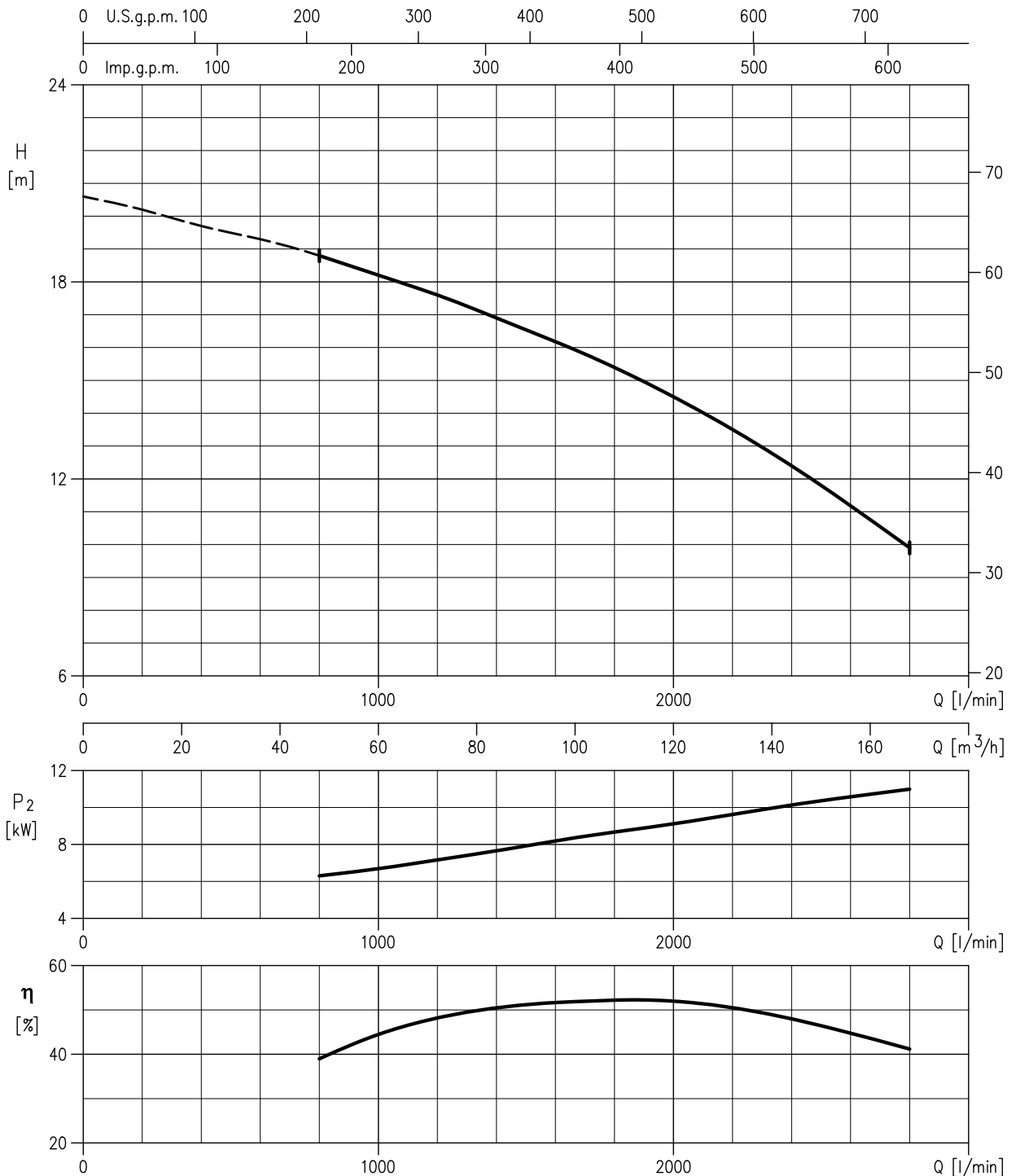


Rotation speed $\approx 1450 \text{ min}^{-1}$
 Test standard: ISO 9906 – Annex A



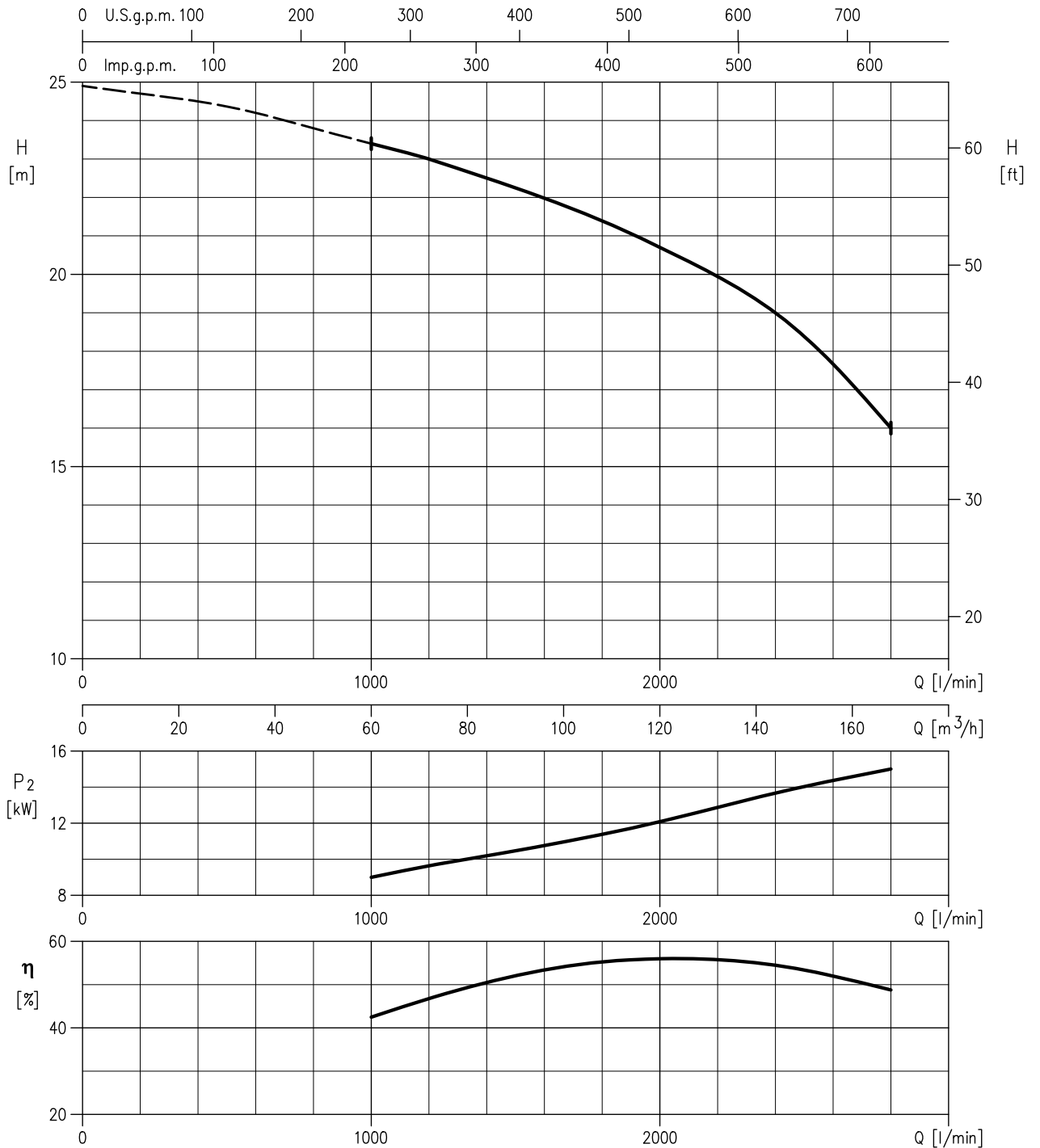
Rotation speed $\approx 1450 \text{ min}^{-1}$
 Test standard: ISO 9906 – Annex A

100DMLV511 (11 kW)



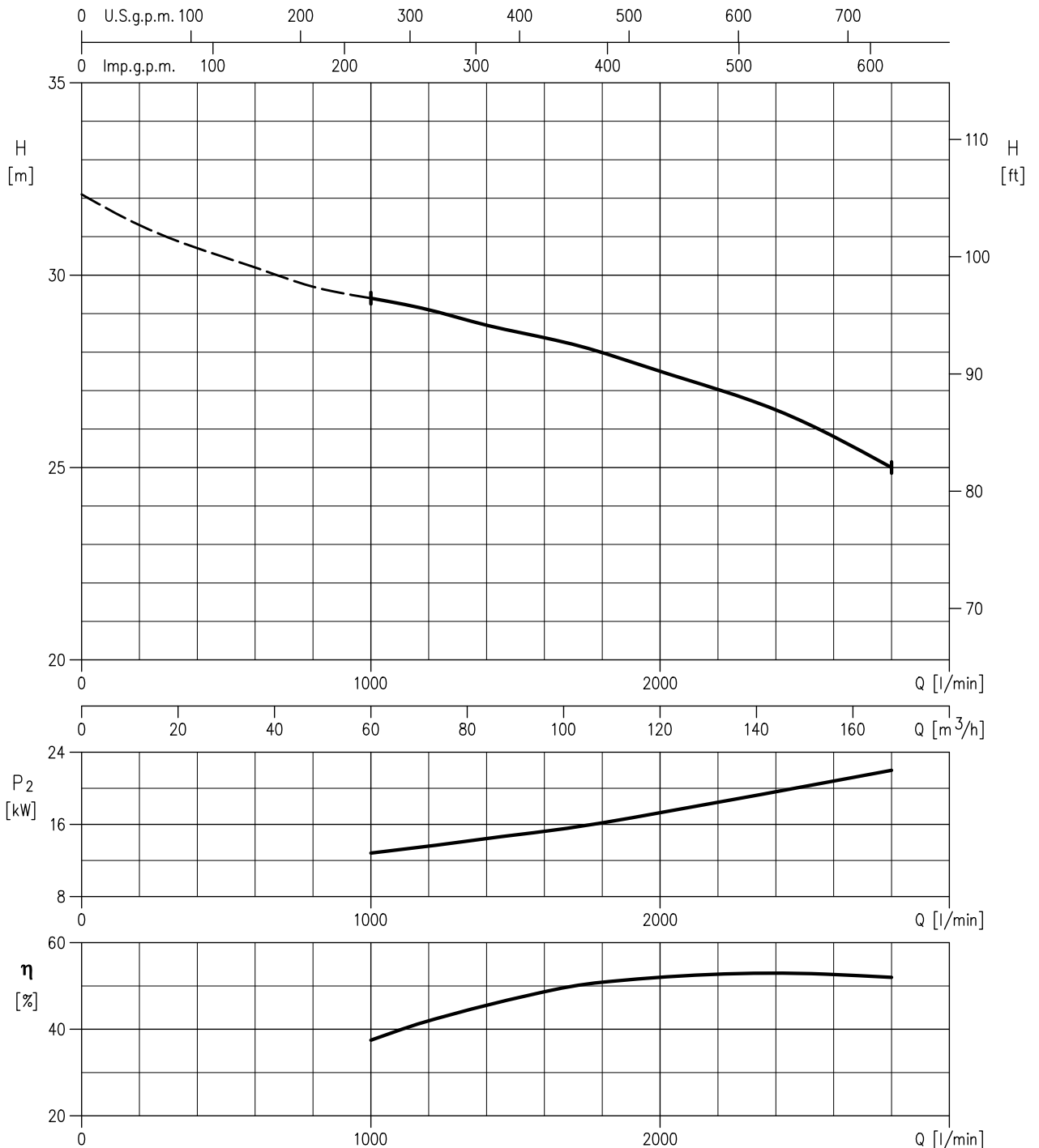
Rotation speed $\approx 1450 \text{ min}^{-1}$
 Test standard: ISO 9906 – Annex A

100DMLV515 (15 kW)



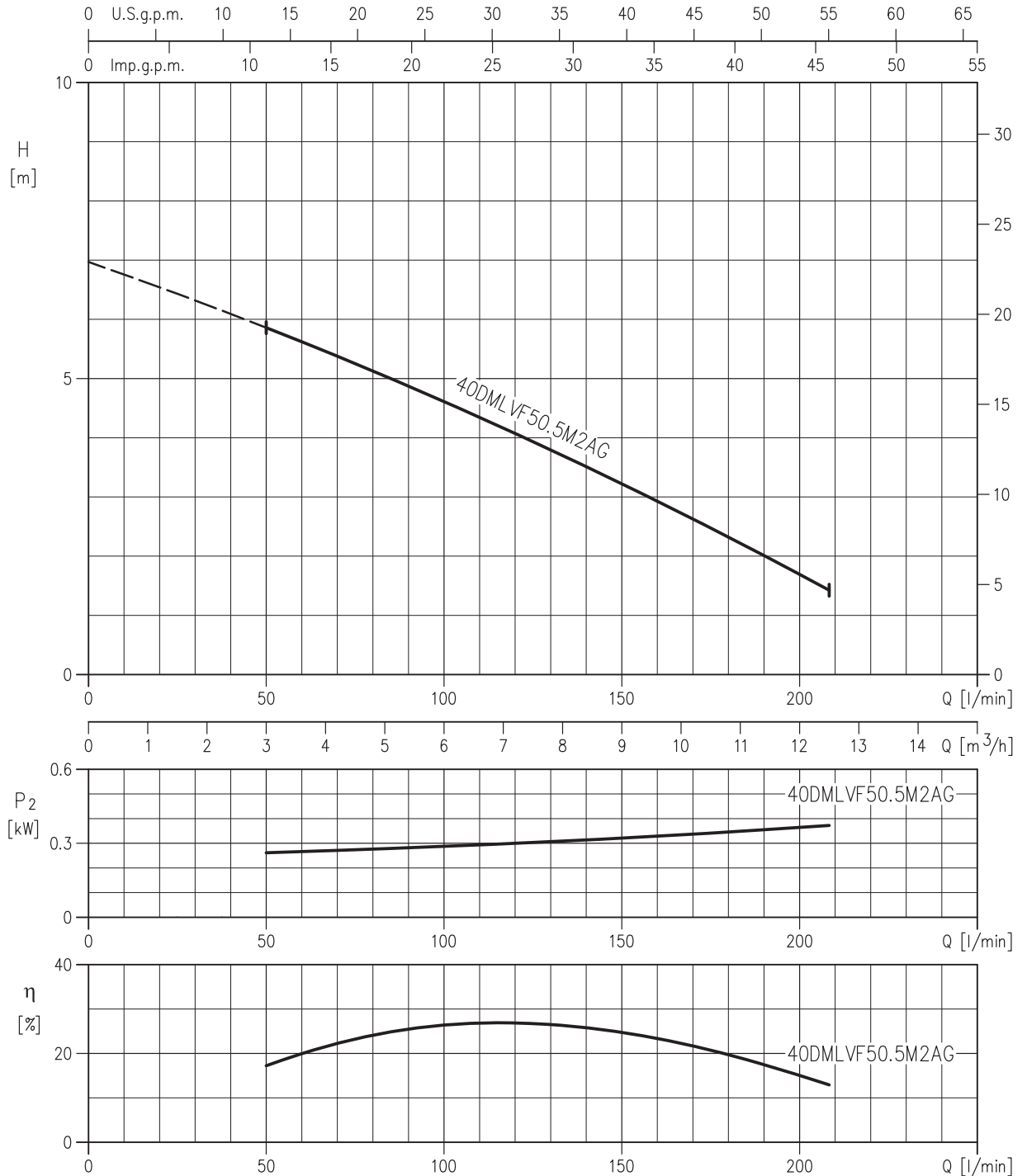
Rotation speed $\approx 1450 \text{ min}^{-1}$
 Test standard: ISO 9906 – Annex A

100DMLV522 (22 kW)



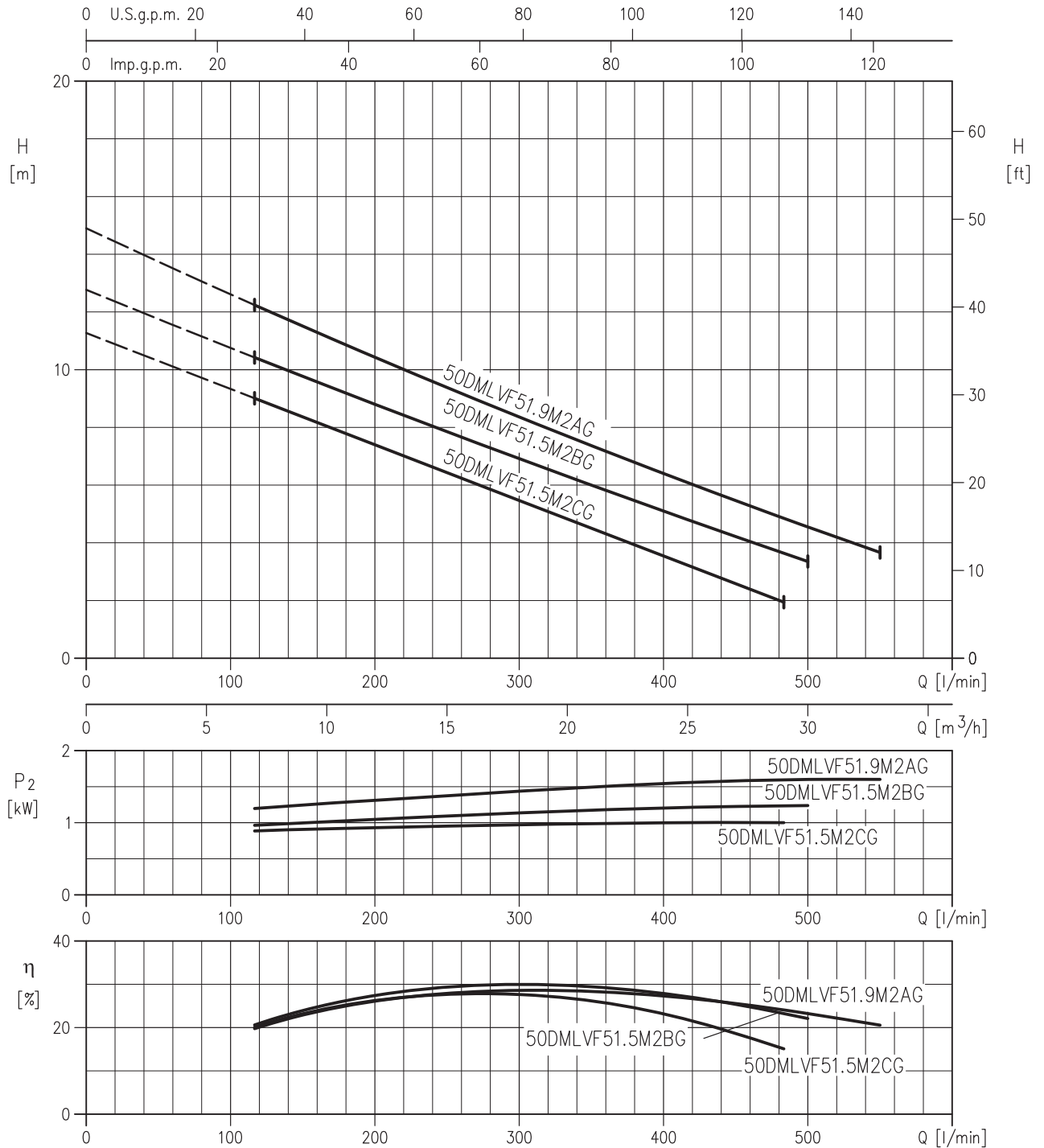
Rotation speed $\approx 1450 \text{ min}^{-1}$
 Test standard: ISO 9906 – Annex A

40DMLVF50.5M2AG (0.5 kW)



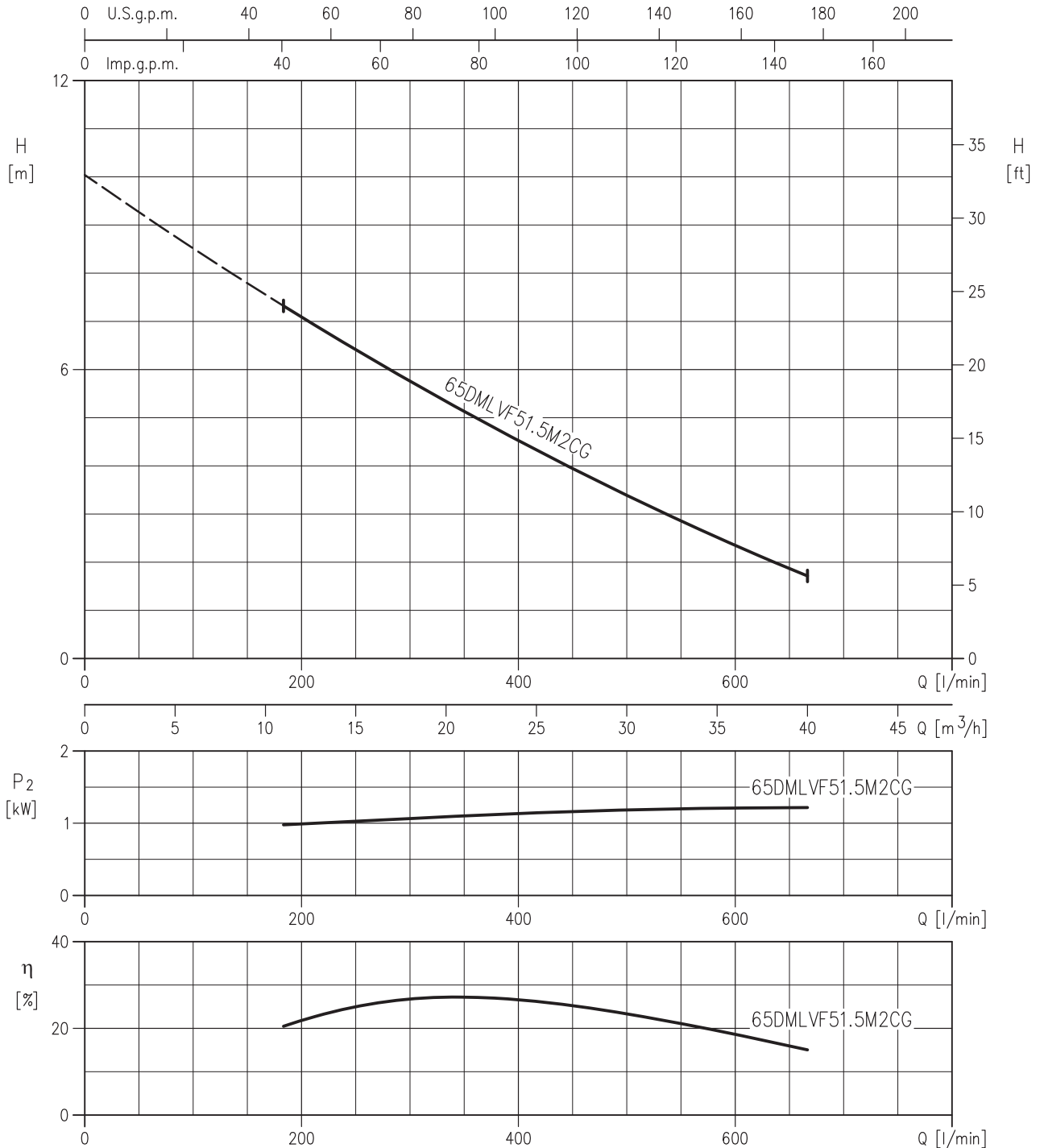
Rotation speed $\approx 2850 \text{ min}^{-1}$
 Test standard: ISO 9906 – Annex A

50DMLVF51.5M2CG (1.5 kW)
 50DMLVF51.5M2BG (1.5 kW)
 50DMLVF51.9M2AG (1.9 kW)



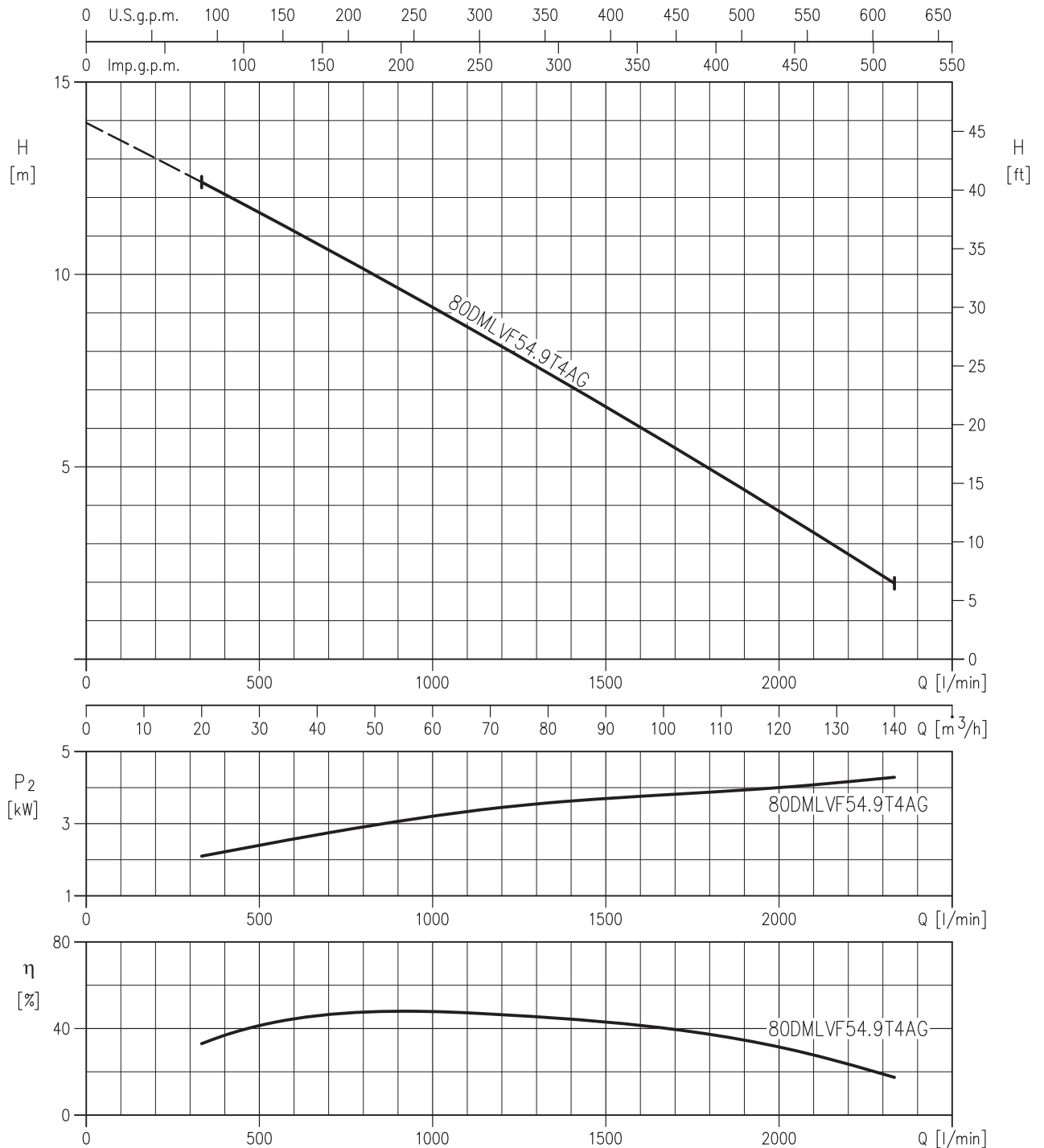
Rotation speed $\approx 2850 \text{ min}^{-1}$
 Test standard: ISO 9906 – Annex A

65DMLVF51.5M2CG (1.5 kW)



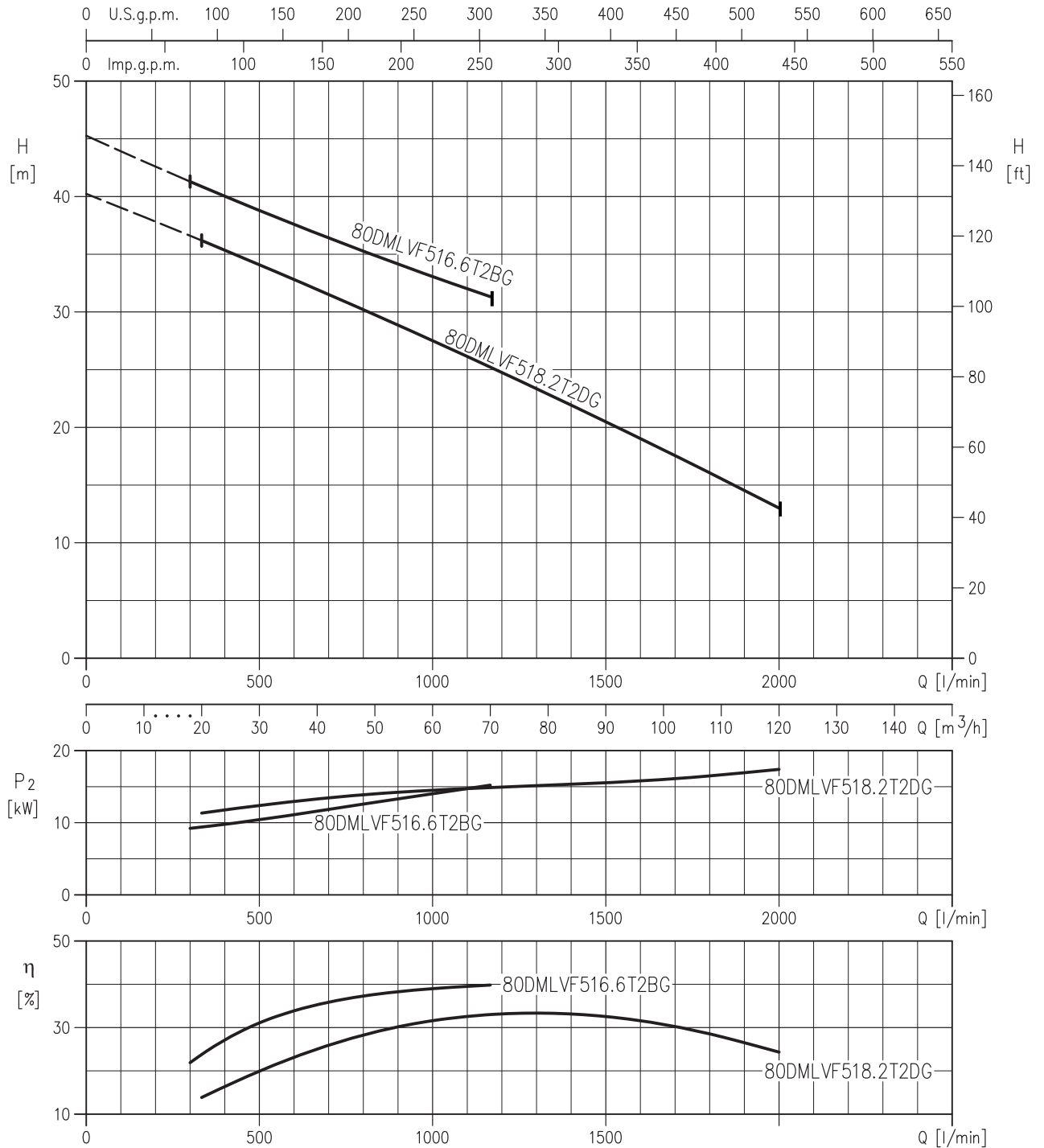
Rotation speed $\approx 2800 \text{ min}^{-1}$
 Test standard: ISO 9906 – Annex A

80DMLVF54.9T4AG (4.9 kW)



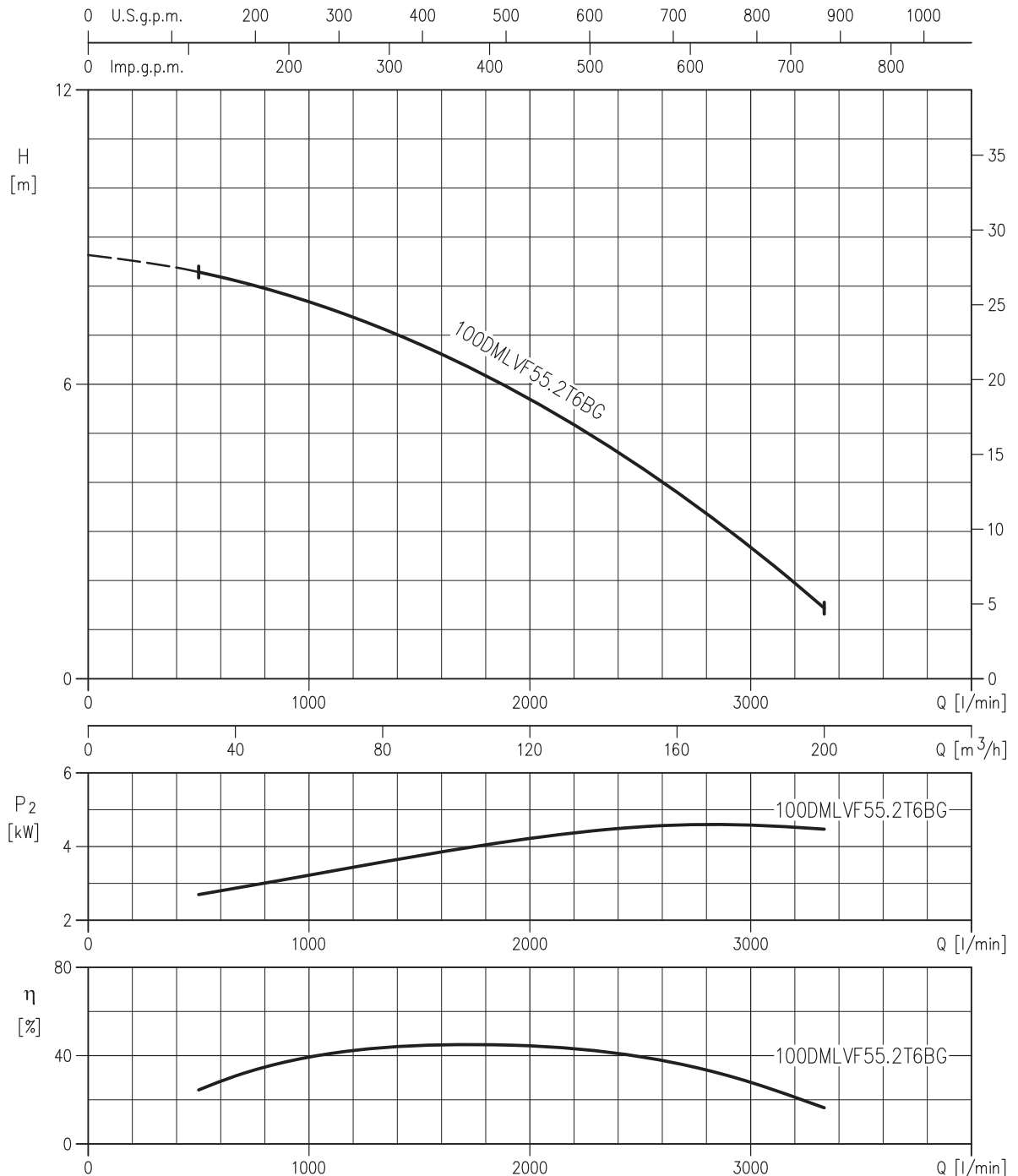
Rotation speed $\approx 1450 \text{ min}^{-1}$
 Test standard: ISO 9906 – Annex A

80DMLVF516.6T2BG (16.6kW)
80DMLVF518.2T2DG (18.2kW)



Rotation speed $\approx 2850 \text{ min}^{-1}$
 Test standard: ISO 9906 – Annex A

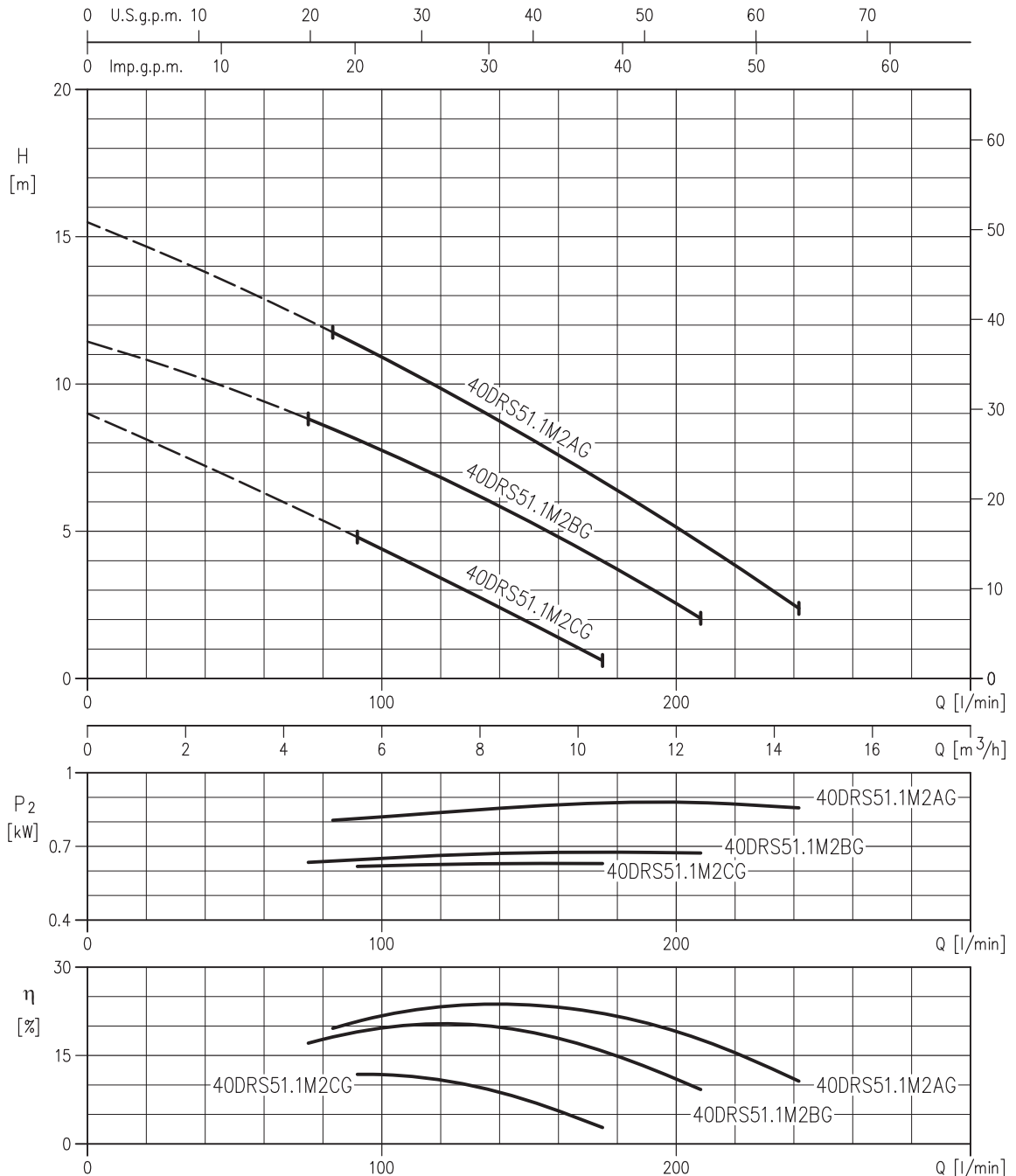
100DMLVF55.2T6BG (5.2 kW)



Rotation speed $\approx 950 \text{ min}^{-1}$

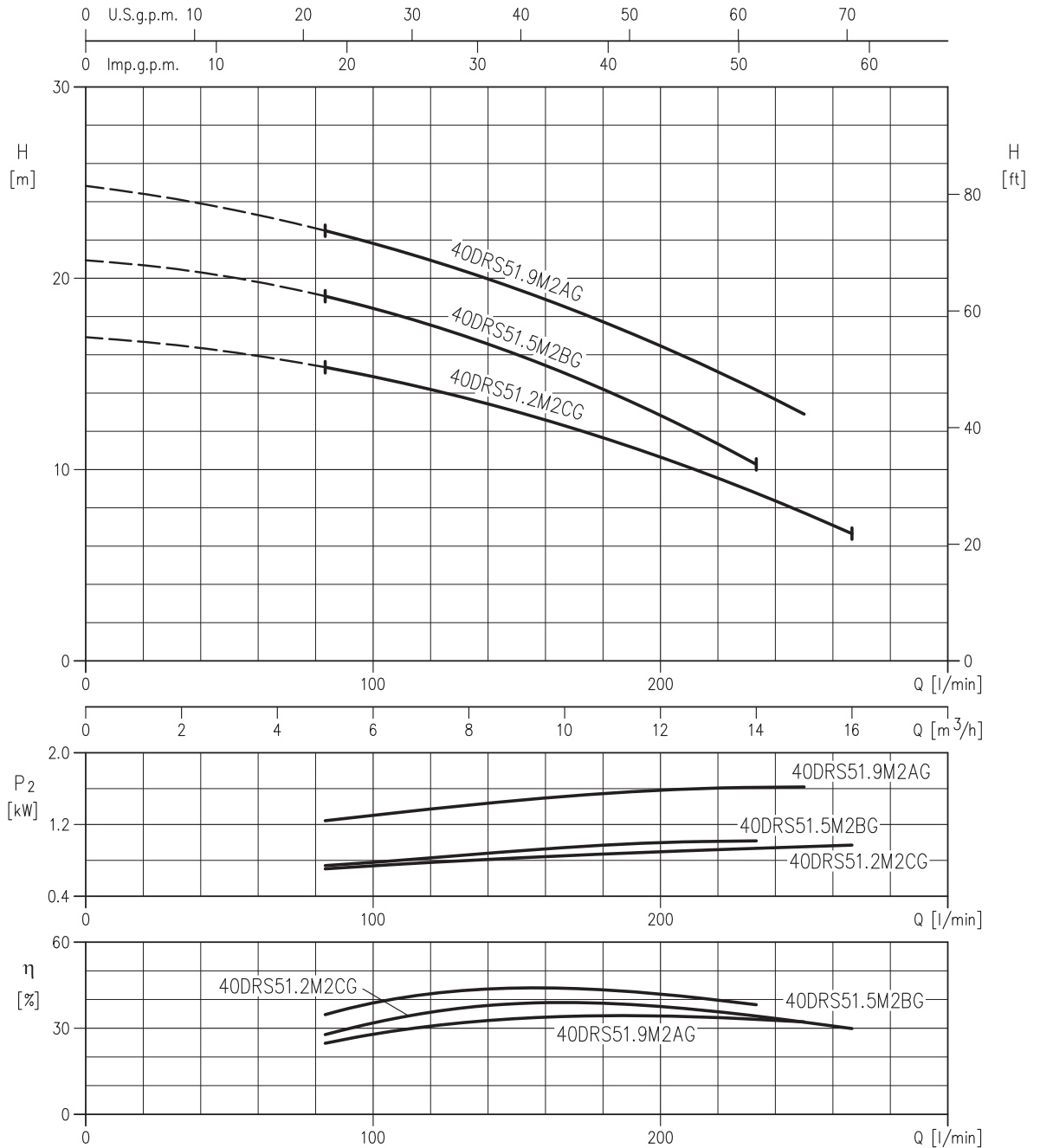
Test standard: ISO 9906 – Annex A

40DRS51.1M2CG (1.1 kW)
40DRS51.1M2BG (1.1 kW)
40DRS51.1M2AG (1.1 kW)



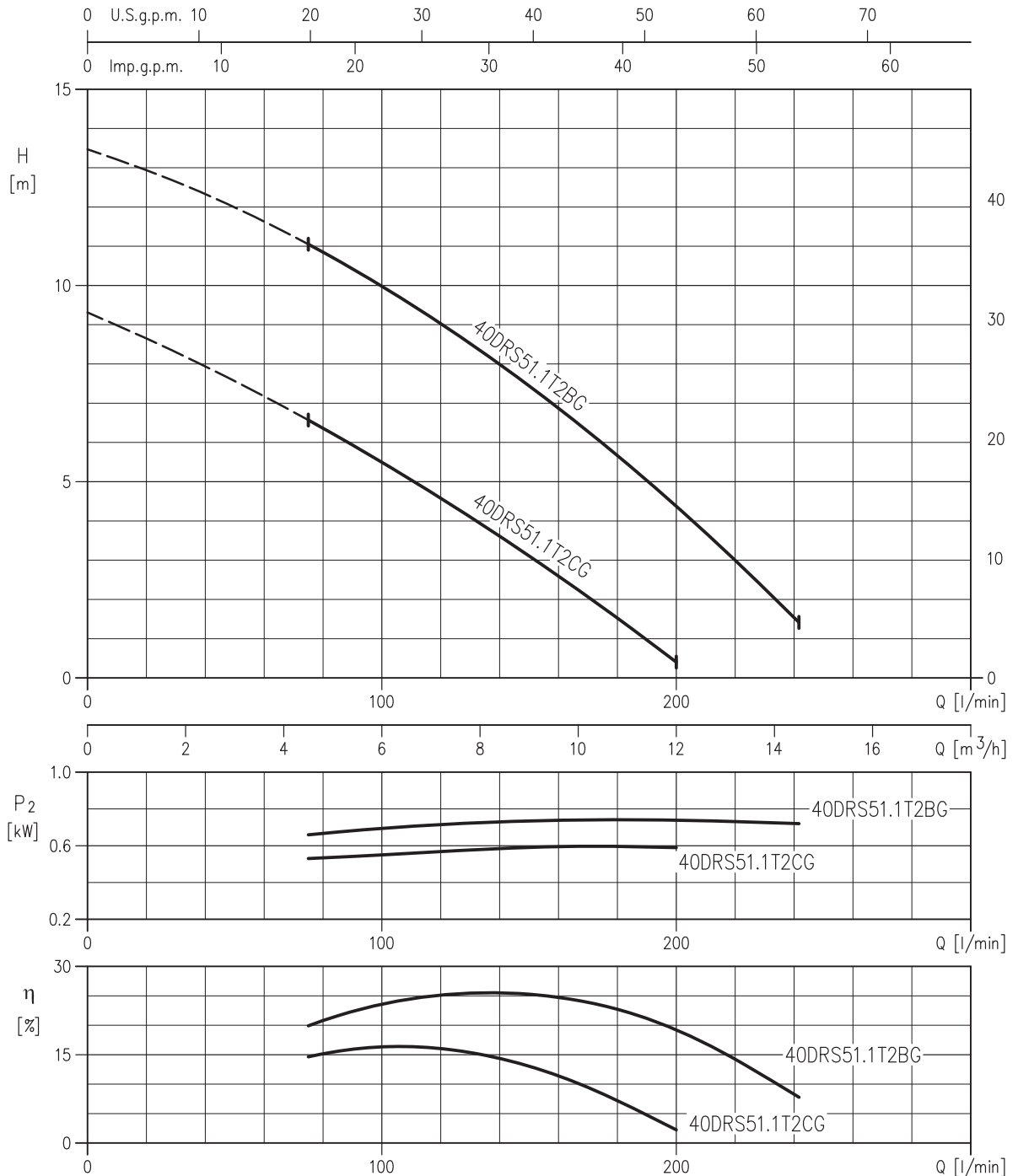
Rotation speed $\approx 2850 \text{ min}^{-1}$
 Test standard: ISO 9906 – Annex A

40DRS51.2M2CG (1.2 kW)
40DRS51.5M2BG (1.5 kW)
40DRS51.9M2AG (1.9 kW)



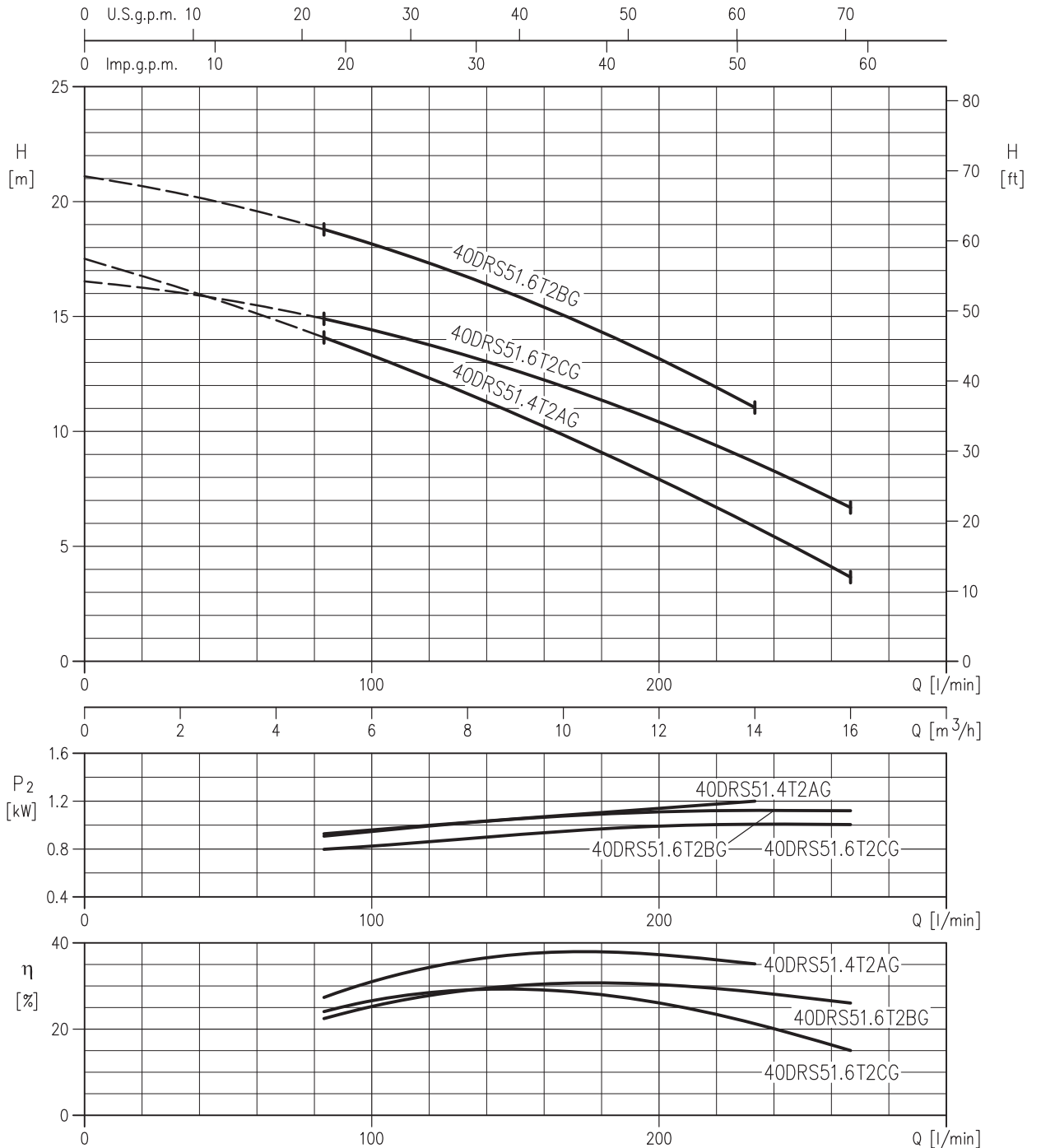
Rotation speed $\approx 2800 \text{ min}^{-1}$
 Test standard: ISO 9906 – Annex A

40DRS51.1T2CG (1.1 kW)
40DRS51.1T2BG (1.1 kW)



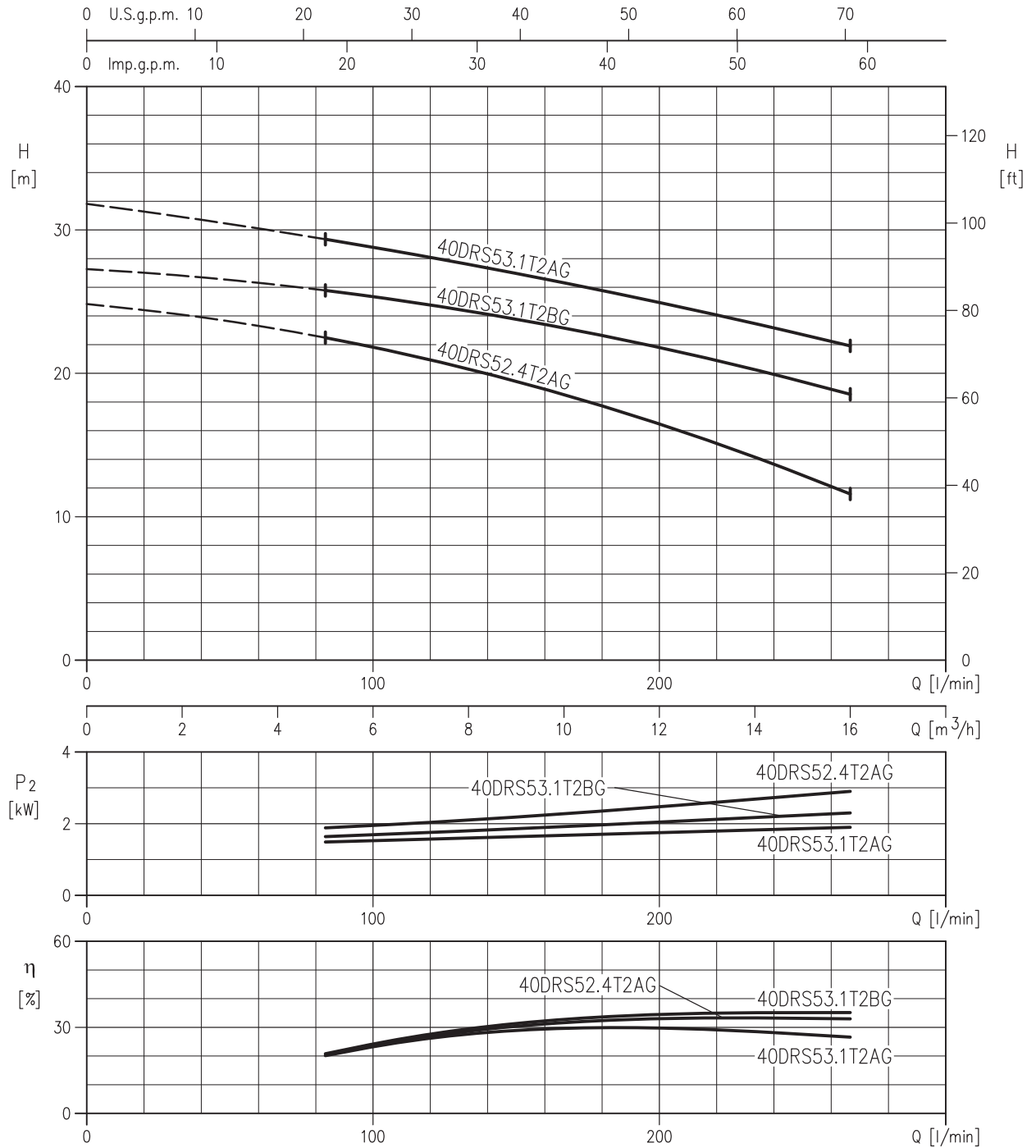
Rotation speed $\approx 2800 \text{ min}^{-1}$
 Test standard: ISO 9906 – Annex A

40DRS51.4T2AG (1.4 kW)
40DRS51.6T2CG (1.6 kW)
40DRS51.6T2BG (1.6 kW)



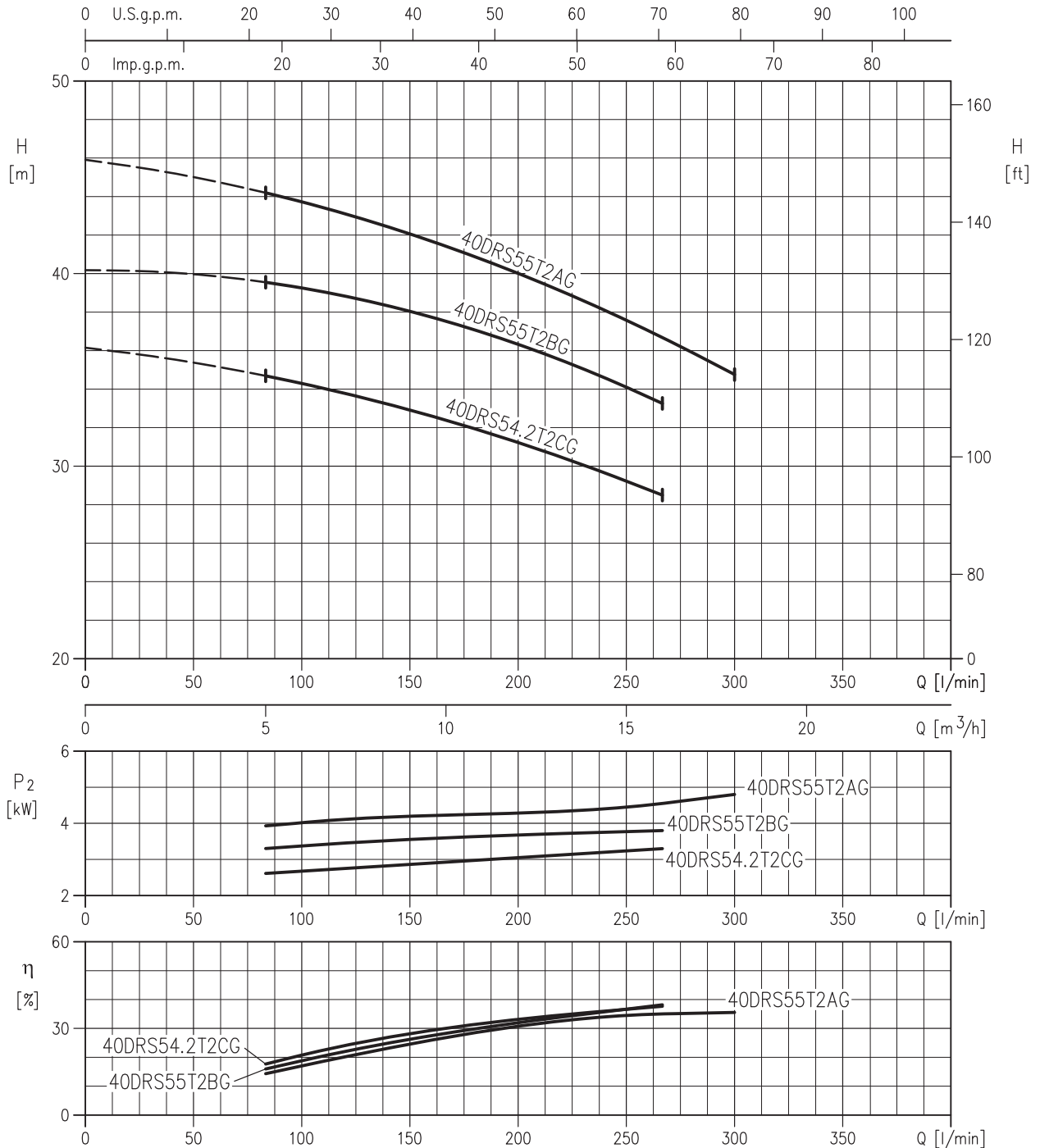
Rotation speed $\approx 2800 \text{ min}^{-1}$
 Test standard: ISO 9906 – Annex A

40DRS52.4T2AG (2.4 kW)
40DRS53.1T2BG (3.1 kW)
40DRS53.1T2AG (3.1 kW)

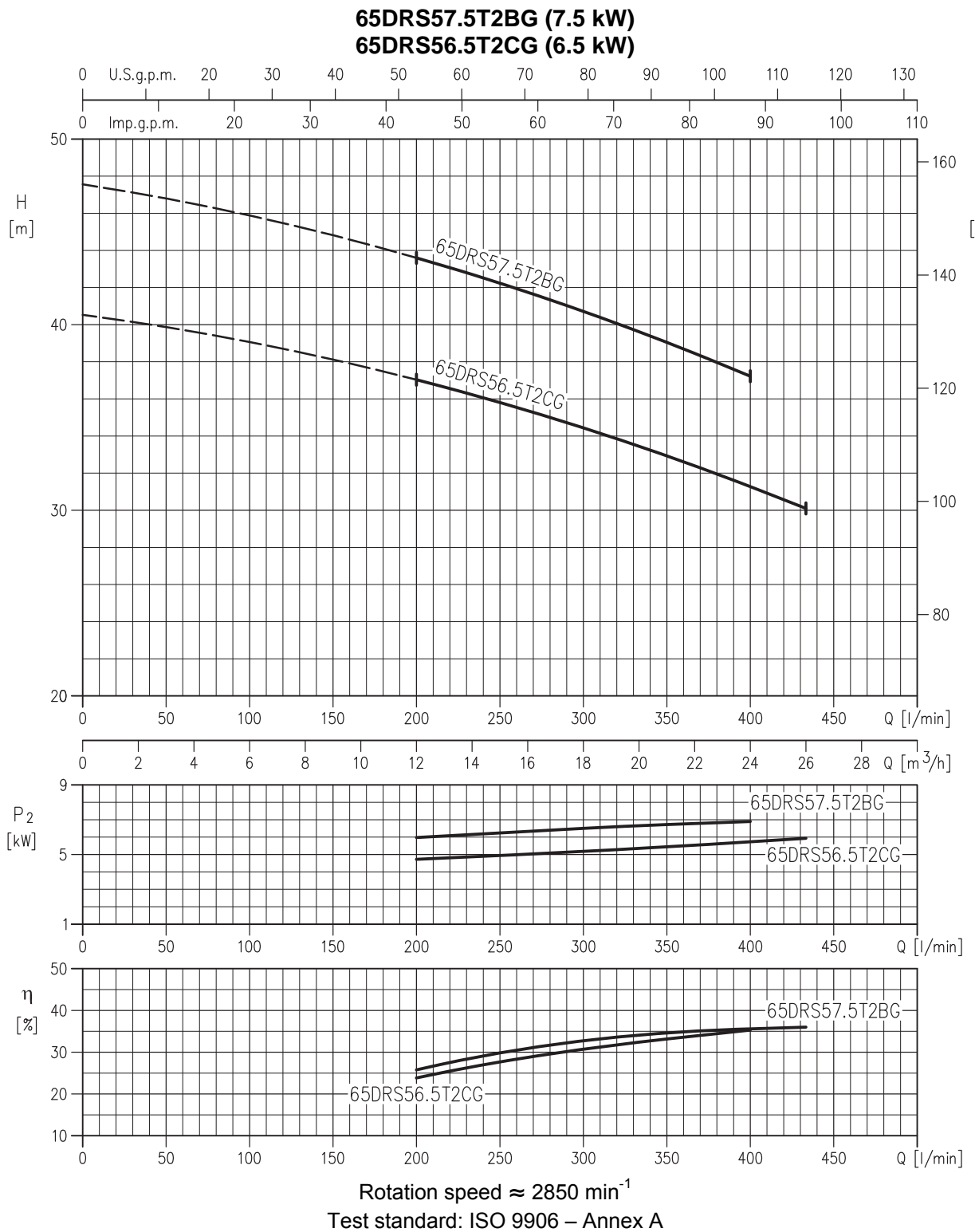


Rotation speed $\approx 2800 \text{ min}^{-1}$
 Test standard: ISO 9906 – Annex A

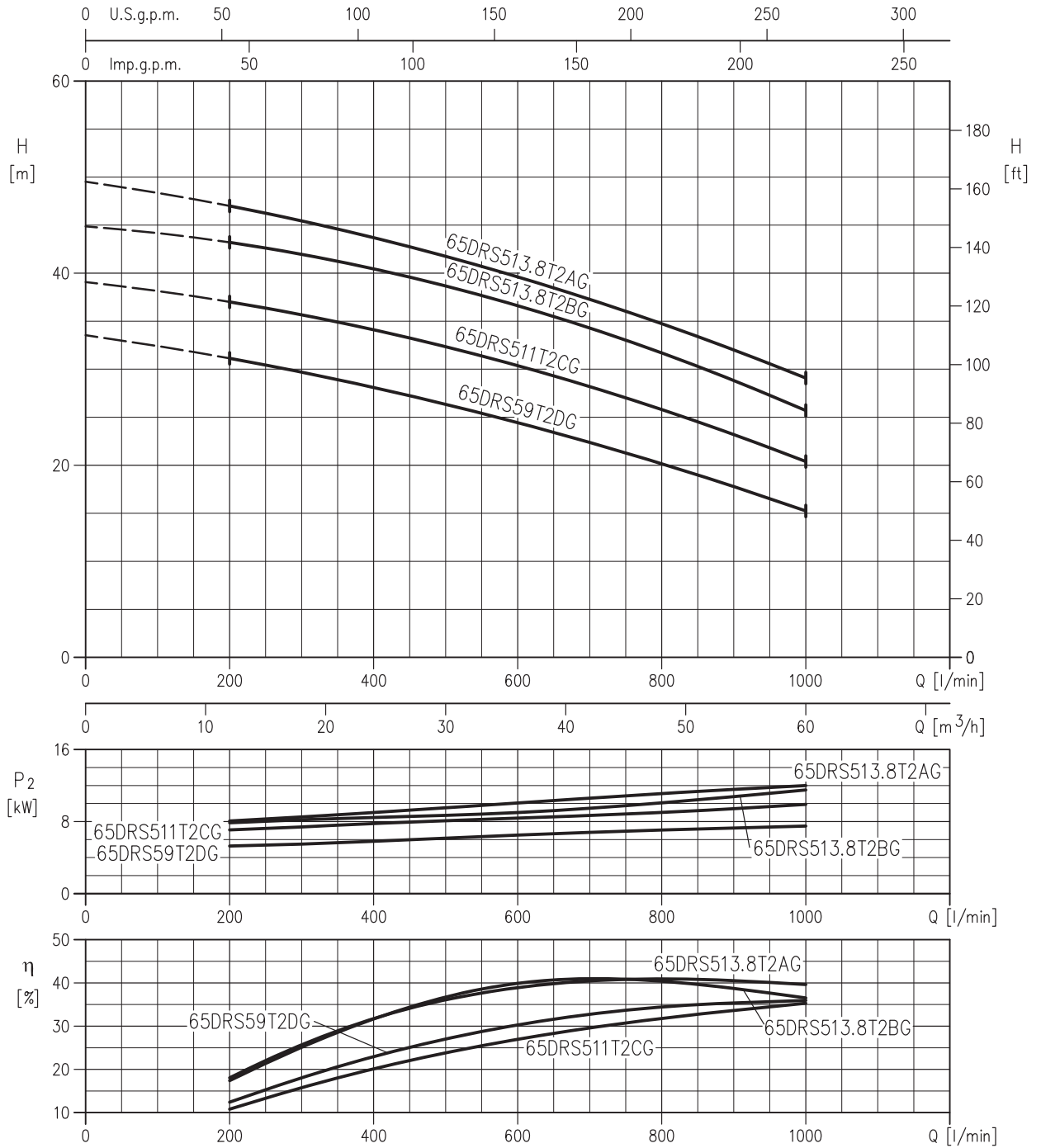
40DRS54.2T2CG (4.2 kW)
40DRS55T2BG (5.0kW)
40DRS55T2AG (5.0 kW)



Rotation speed $\approx 2850 \text{ min}^{-1}$
 Test standard: ISO 9906 – Annex A

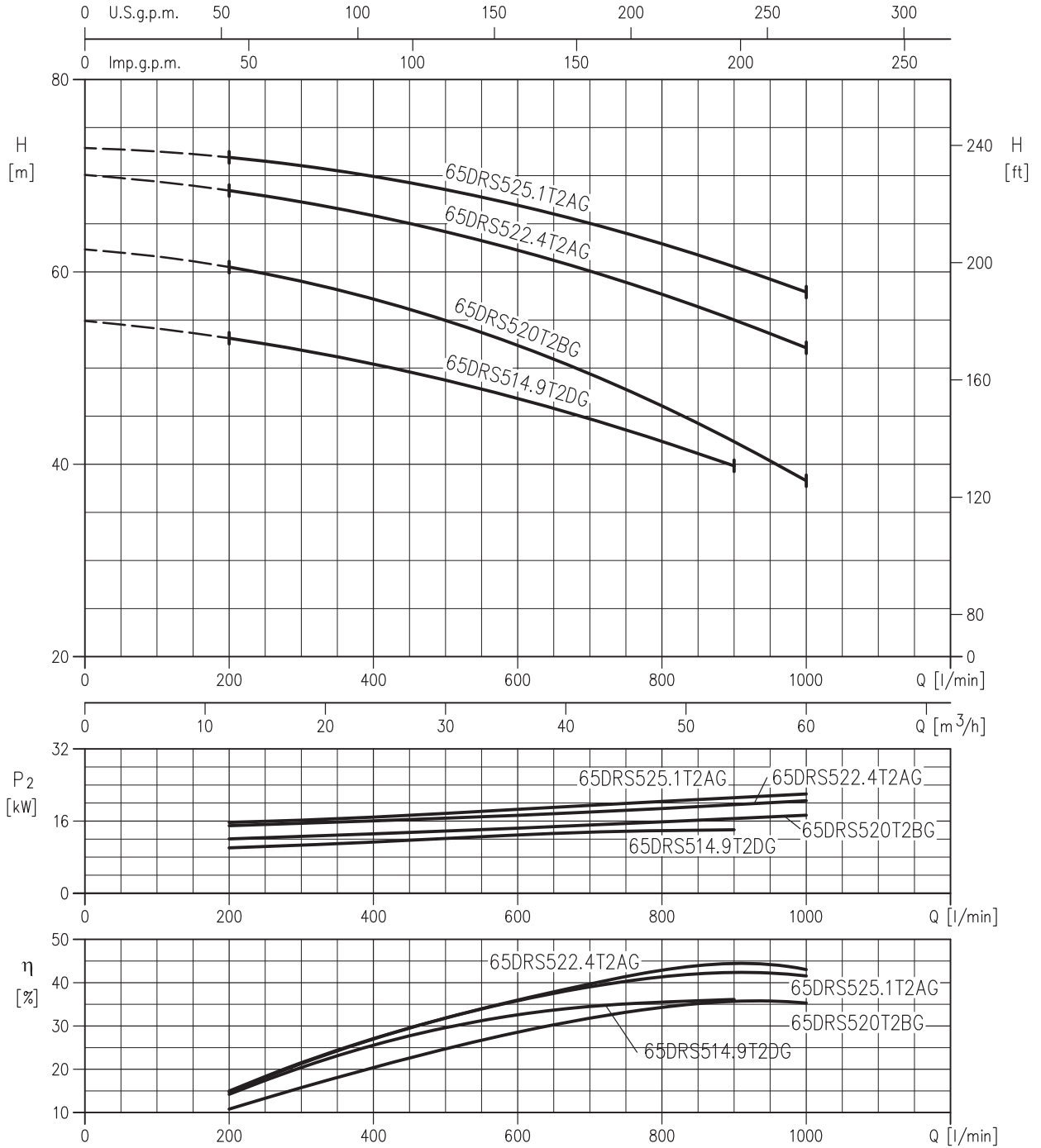


65DRS59T2DG (9.0 kW)
 65DRS511T2CG (11 kW)
 65DRS513.8T2BG (13.8 kW)
 65DRS513.8T2AG (13.8 kW)



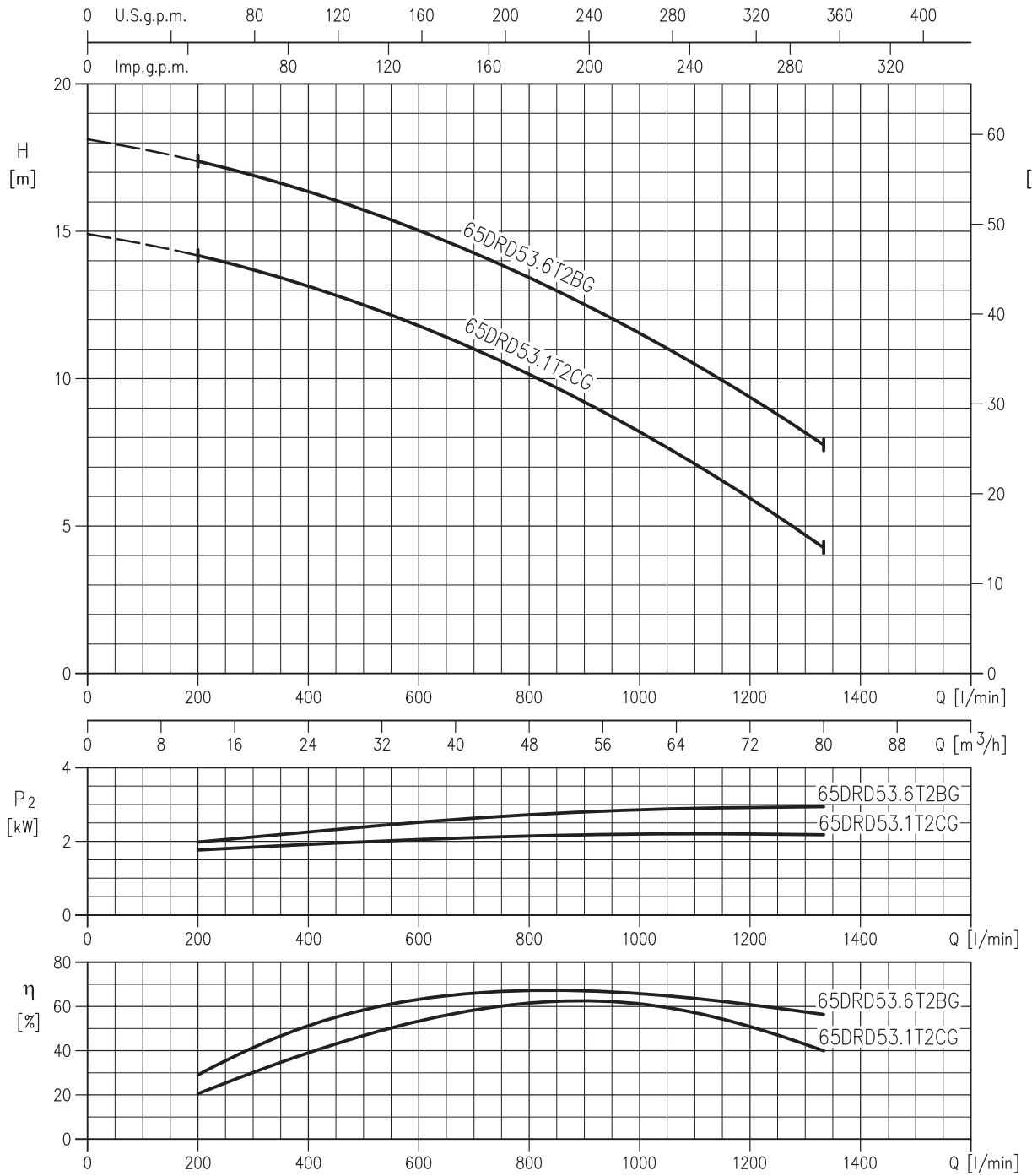
Rotation speed ≈ 2850 min⁻¹
 Test standard: ISO 9906 – Annex A

65DRS514.9T2GG (14.9 kW)
 65DRS520T2BG (20 kW)
 65DRS522.4T2AG (22.4 kW)
 65DRS525.1T2AG (25.1 kW)



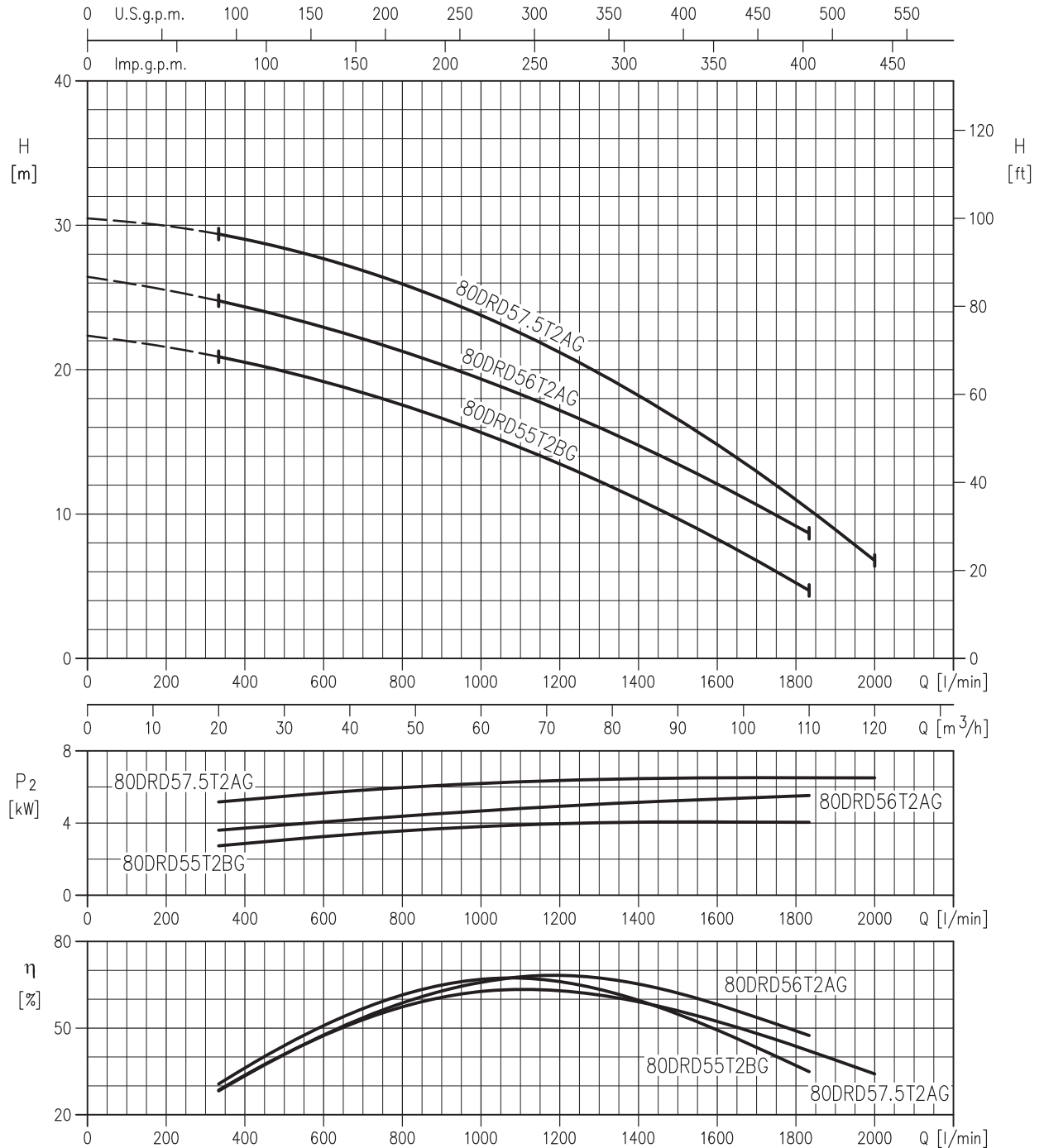
Rotation speed ≈ 2850 min⁻¹
 Test standard: ISO 9906 – Annex A

65DRD53.1T2CG (3.1 kW)
65DRD53.6T2BG (3.6 kW)



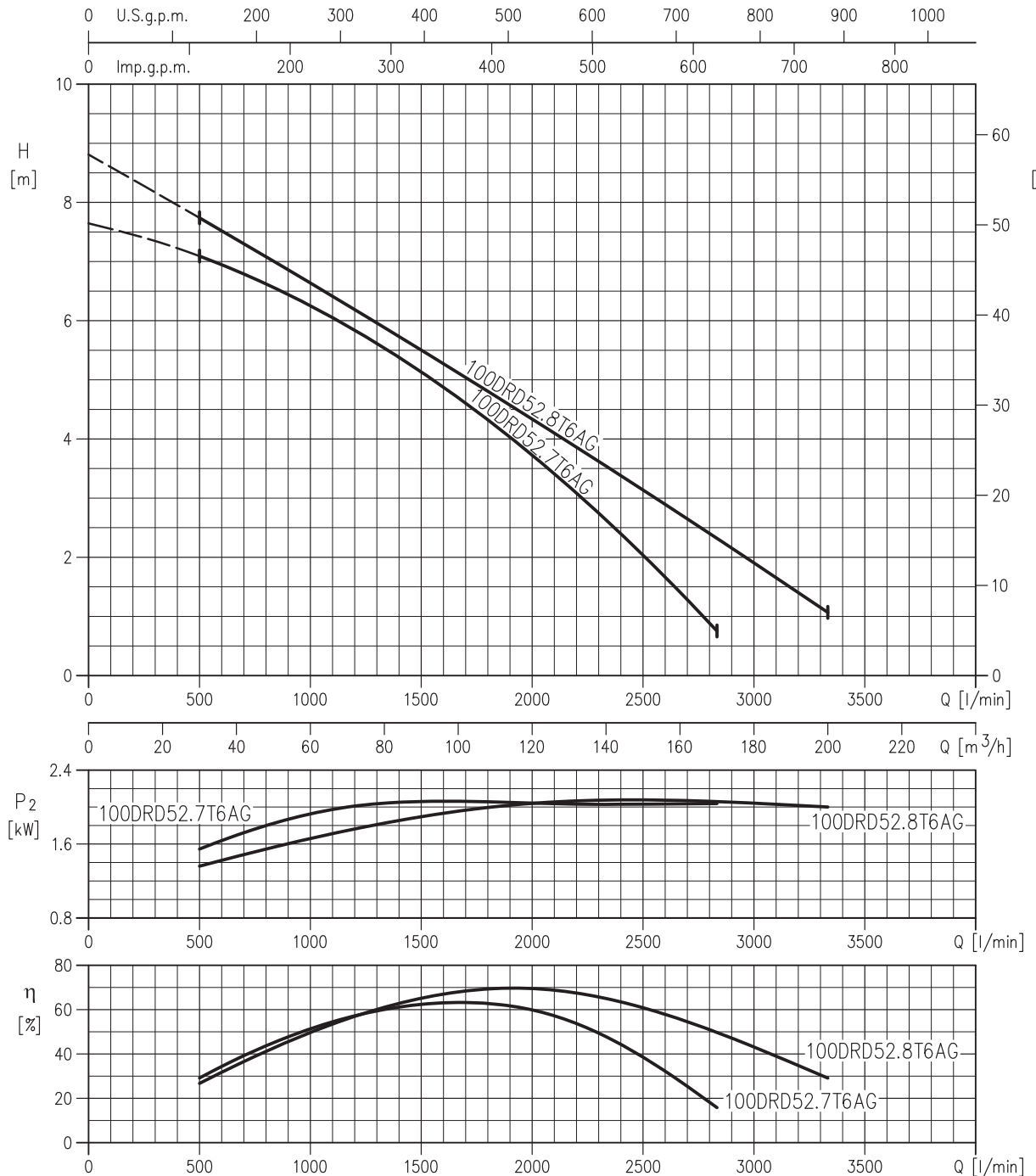
Rotation speed $\approx 2800 \text{ min}^{-1}$
 Test standard: ISO 9906 – Annex A

80DRD55T2BG (5.0 kW)
80DRD56T2AG (6.0 kW)
80DRD57.5T2AG (7.5 kW)



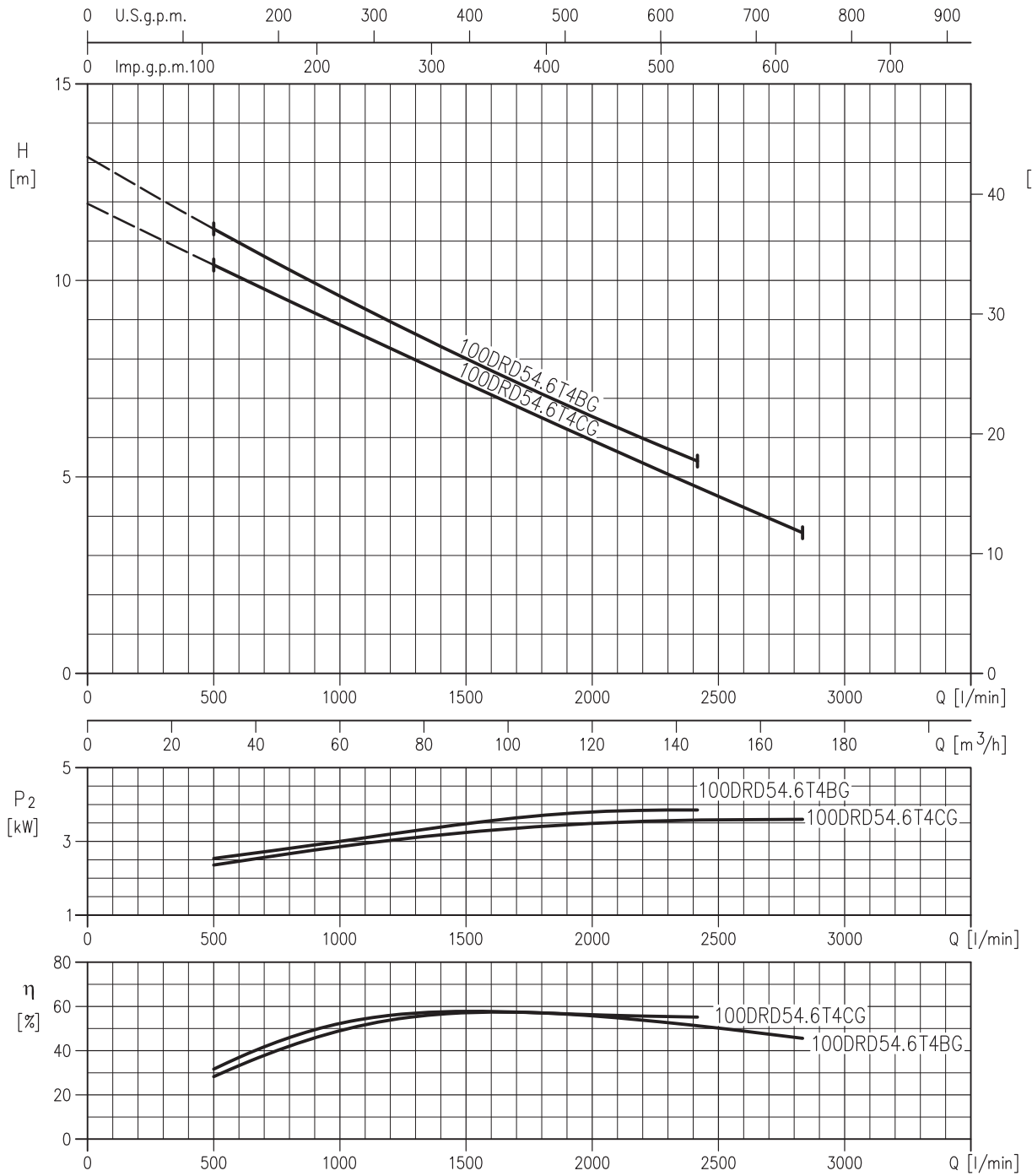
Rotation speed $\approx 2850 \text{ min}^{-1}$
 Test standard: ISO 9906 – Annex A

100DRD52.7T6AG (2.7 kW)
100DRD52.8T6AG (2.8 kW)



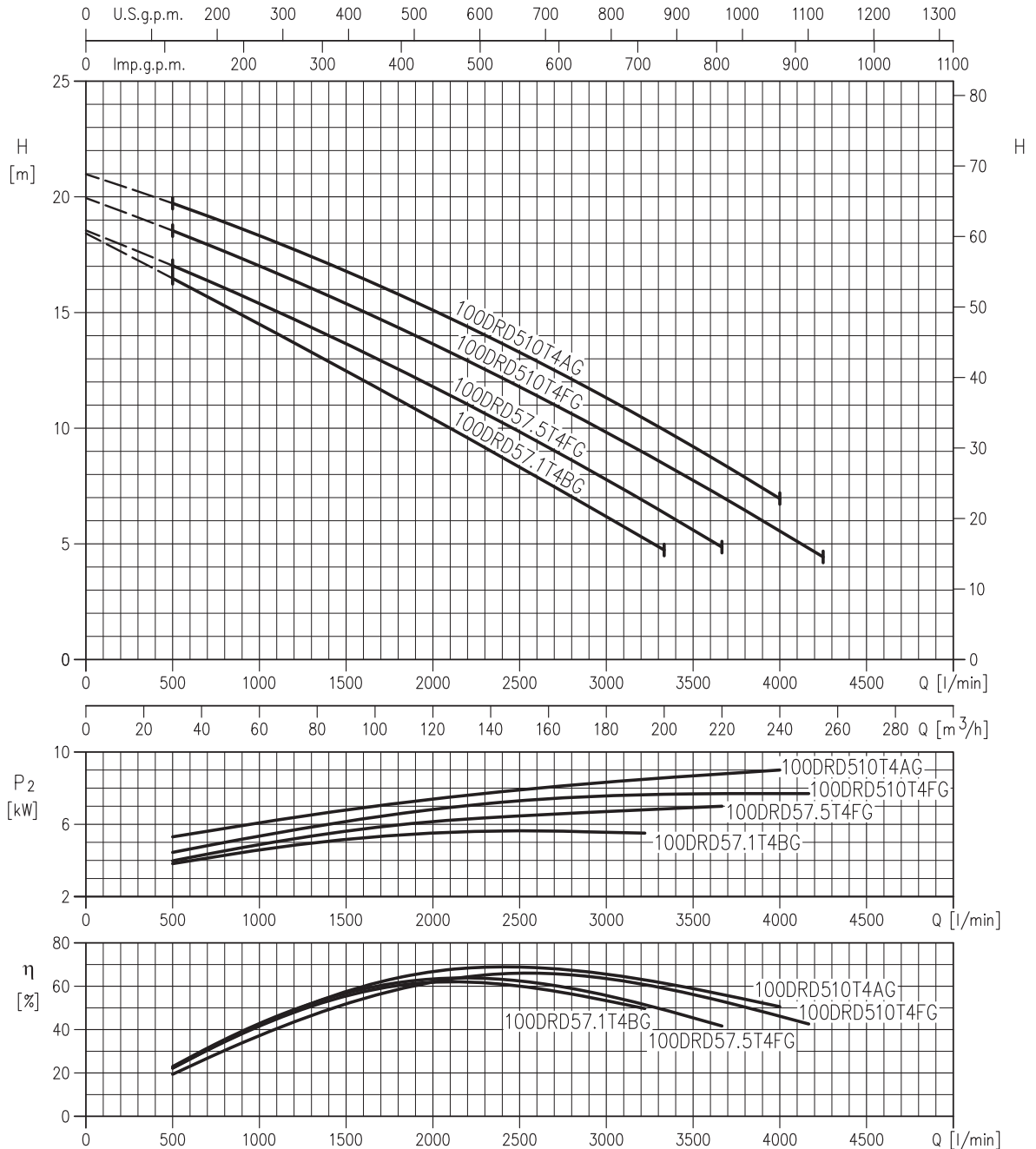
Rotation speed $\approx 950 \text{ min}^{-1}$
 Test standard: ISO 9906 – Annex A

100DRD54.6T4CG (4.6 kW)
100DRD54.6T4BG (4.6 kW)



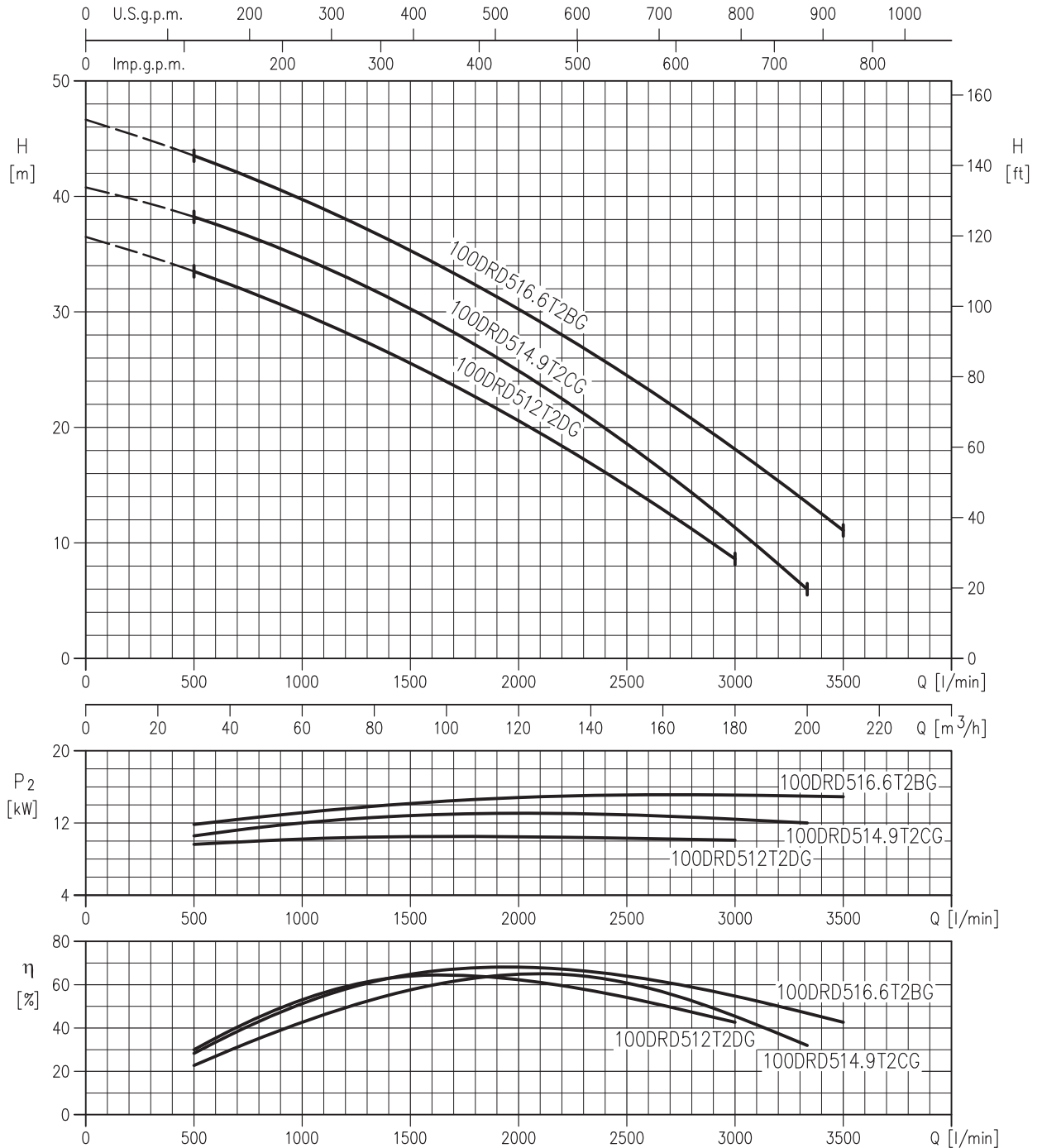
Rotation speed $\approx 1400 \text{ min}^{-1}$
 Test standard: ISO 9906 – Annex A

100DRD57.1T4BG (7.1 kW)
100DRD57.5T4FG (7.5 kW)
100DRD510T4FG (10 kW)
100DRD510T4AG (10 kW)



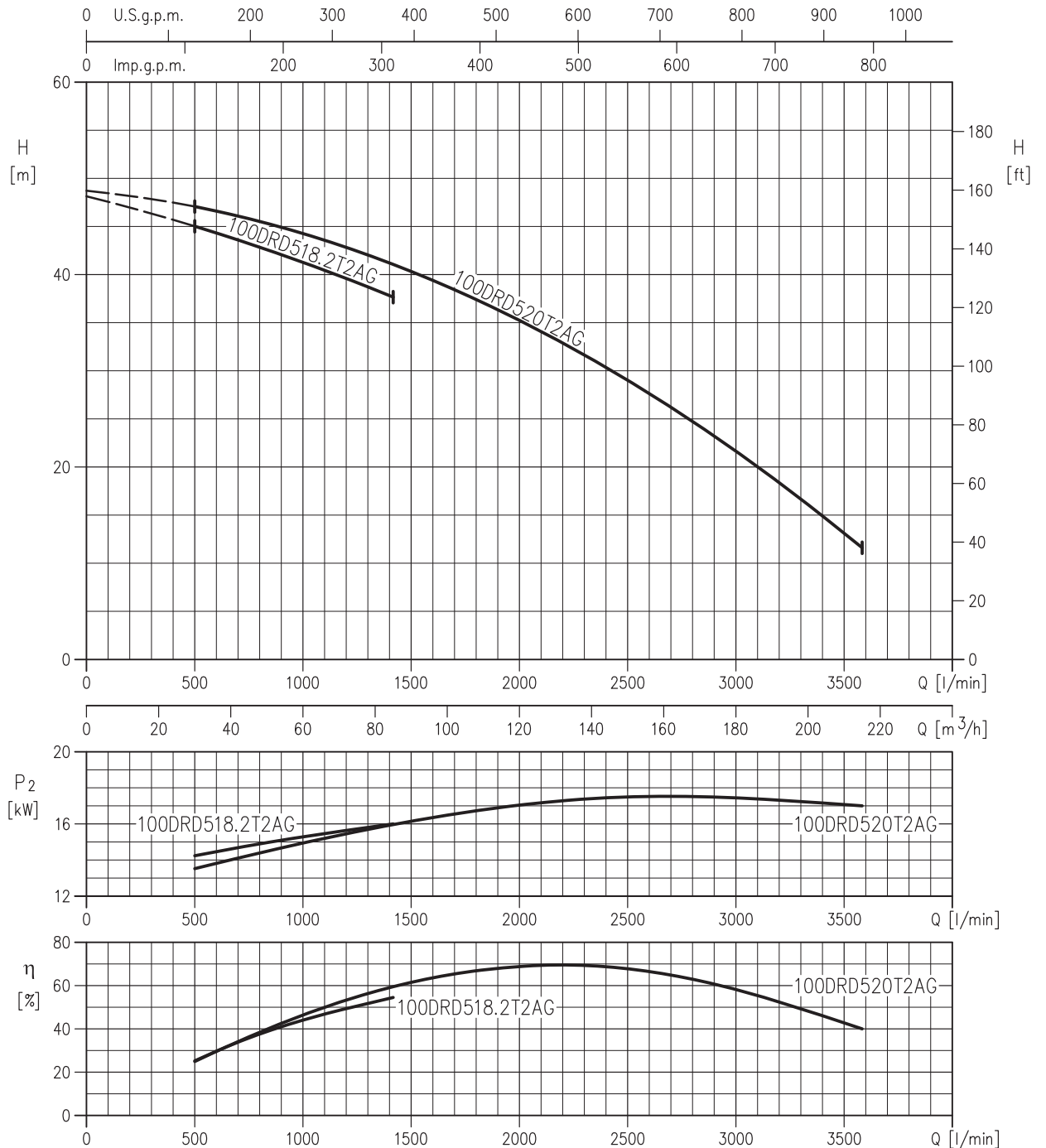
Rotation speed $\approx 1450 \text{ min}^{-1}$
 Test standard: ISO 9906 – Annex A

100DRD512T2DG (12 kW)
100DRD514.9T2CG (14.9 kW)
100DRD516.6T2BG (16.6 kW)



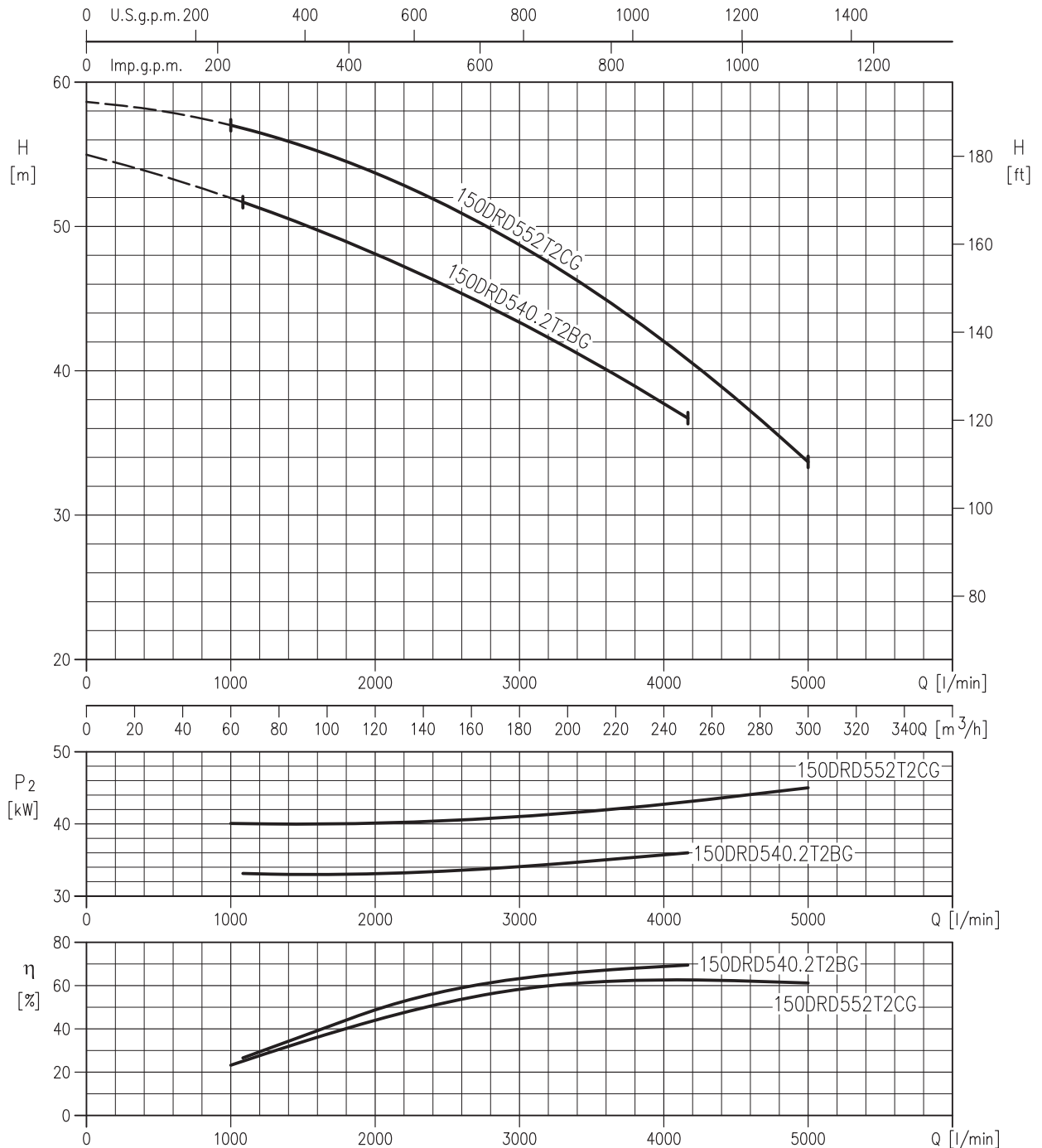
Rotation speed ≈ 2850 min⁻¹
 Test standard: ISO 9906 – Annex A

100DRD518.2T2AG (18.2 kW)
100DRD520T2AG (20 kW)



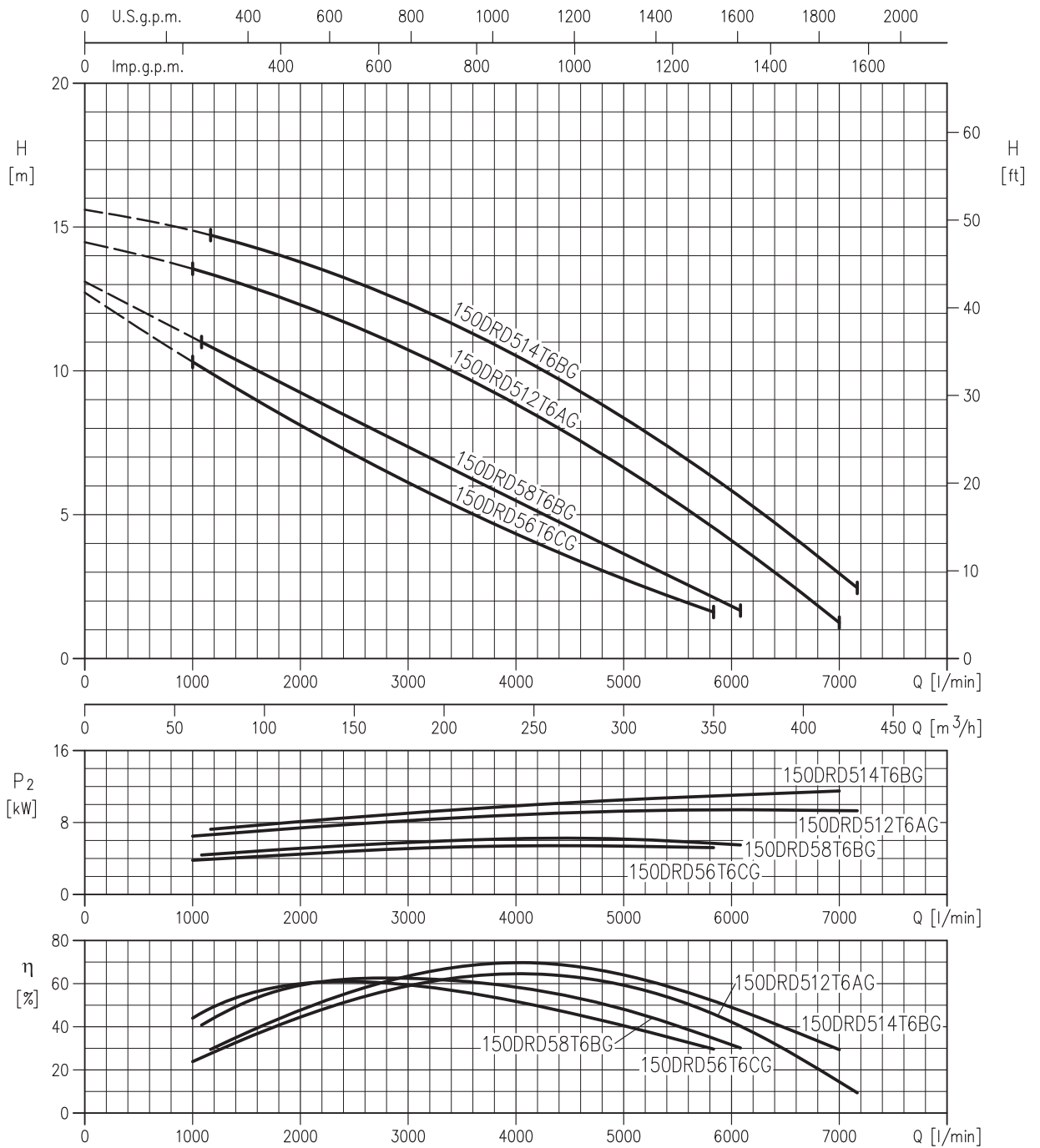
Rotation speed $\approx 2850 \text{ min}^{-1}$
 Test standard: ISO 9906 – Annex A

150DRD540.2T2BG (40.2 kW)
150DRD552T2CG (52 kW)



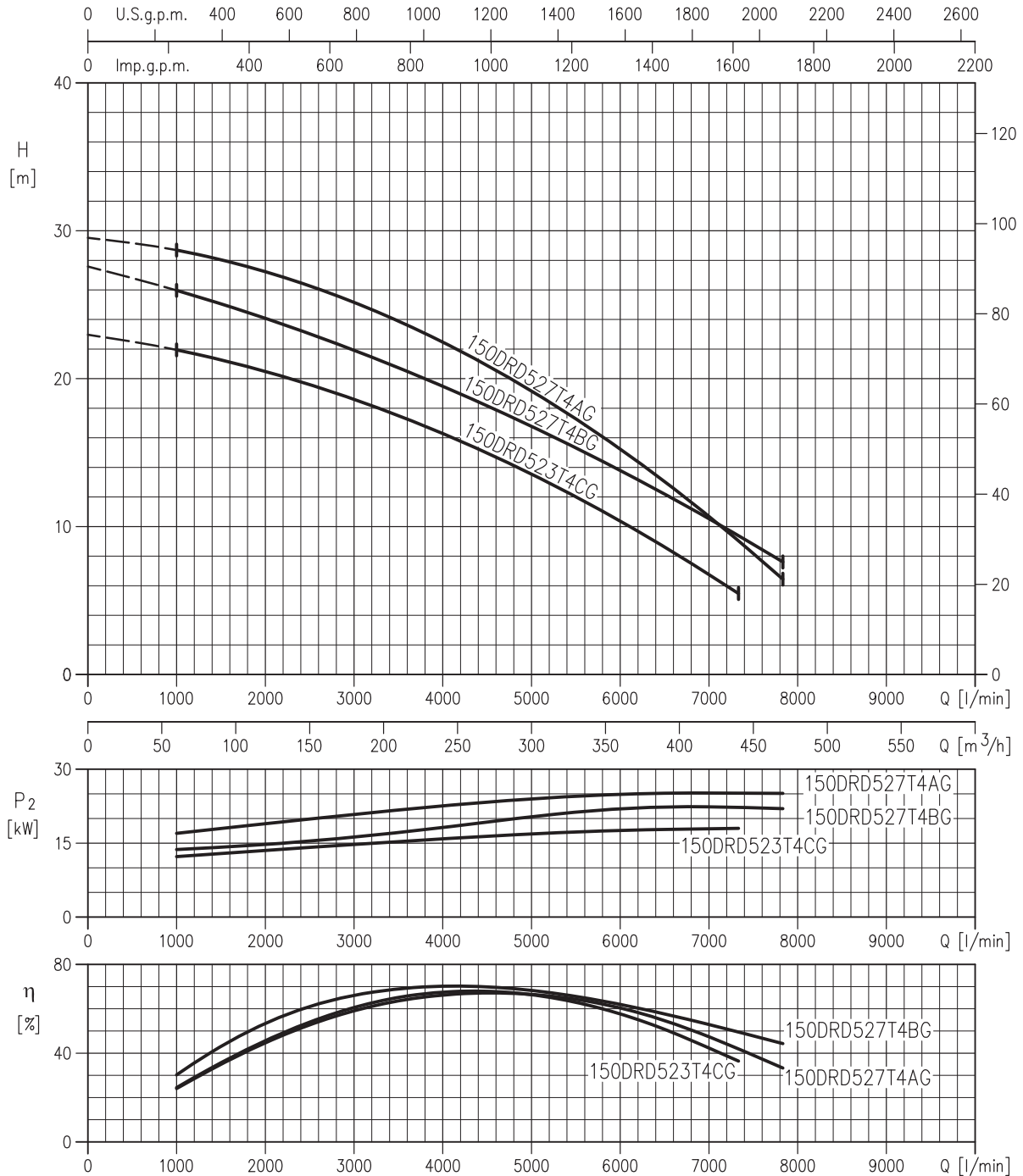
Rotation speed $\approx 2900 \text{ min}^{-1}$
 Test standard: ISO 9906 – Annex A

150DRD56T6CG (6.0 kW)
 150DRD58T6BG (8.0 kW)
 150DRD512T6AG (12 kW)
 150DRD514T6BG (14 kW)



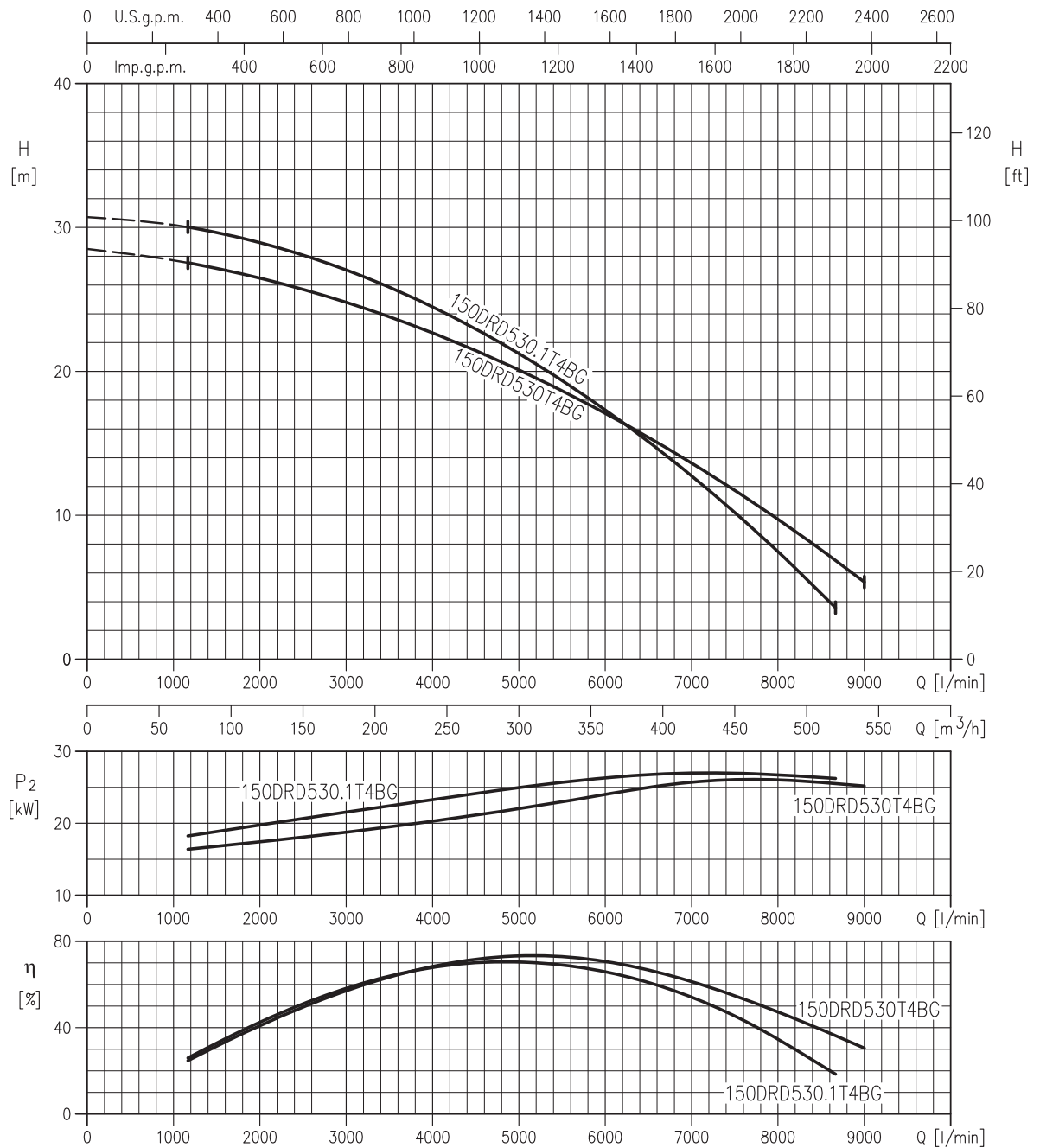
Rotation speed $\approx 950 \text{ min}^{-1}$
 Test standard: ISO 9906 – Annex A

150DRD523T4CG (23 kW)
150DRD527T4BG (27 kW)
150DRD527T4AG (27 kW)



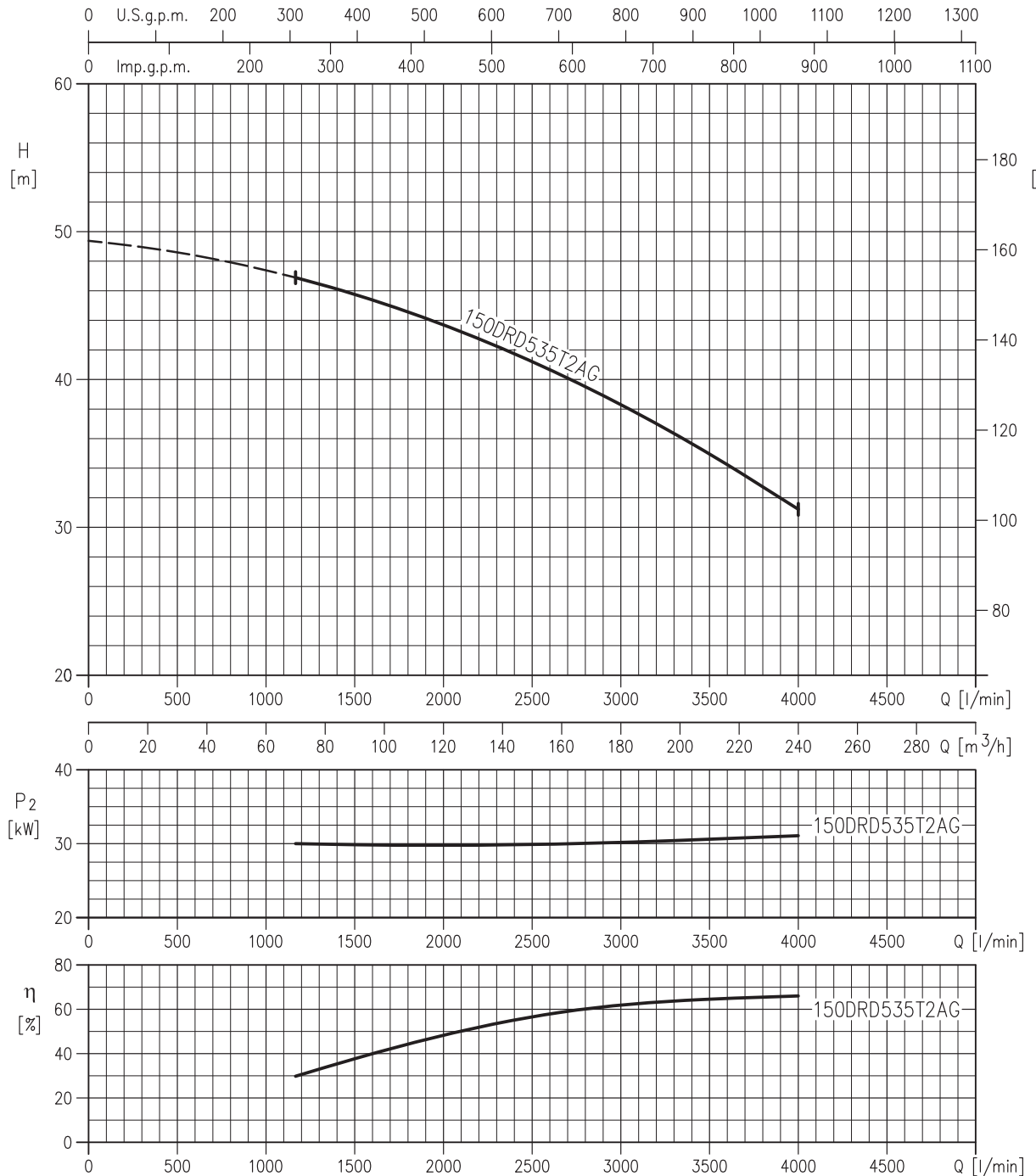
Rotation speed $\approx 1450 \text{ min}^{-1}$
 Test standard: ISO 9906 – Annex A

150DRD530T4BG (30 kW)
150DRD530.1T4BG (30.1 kW)



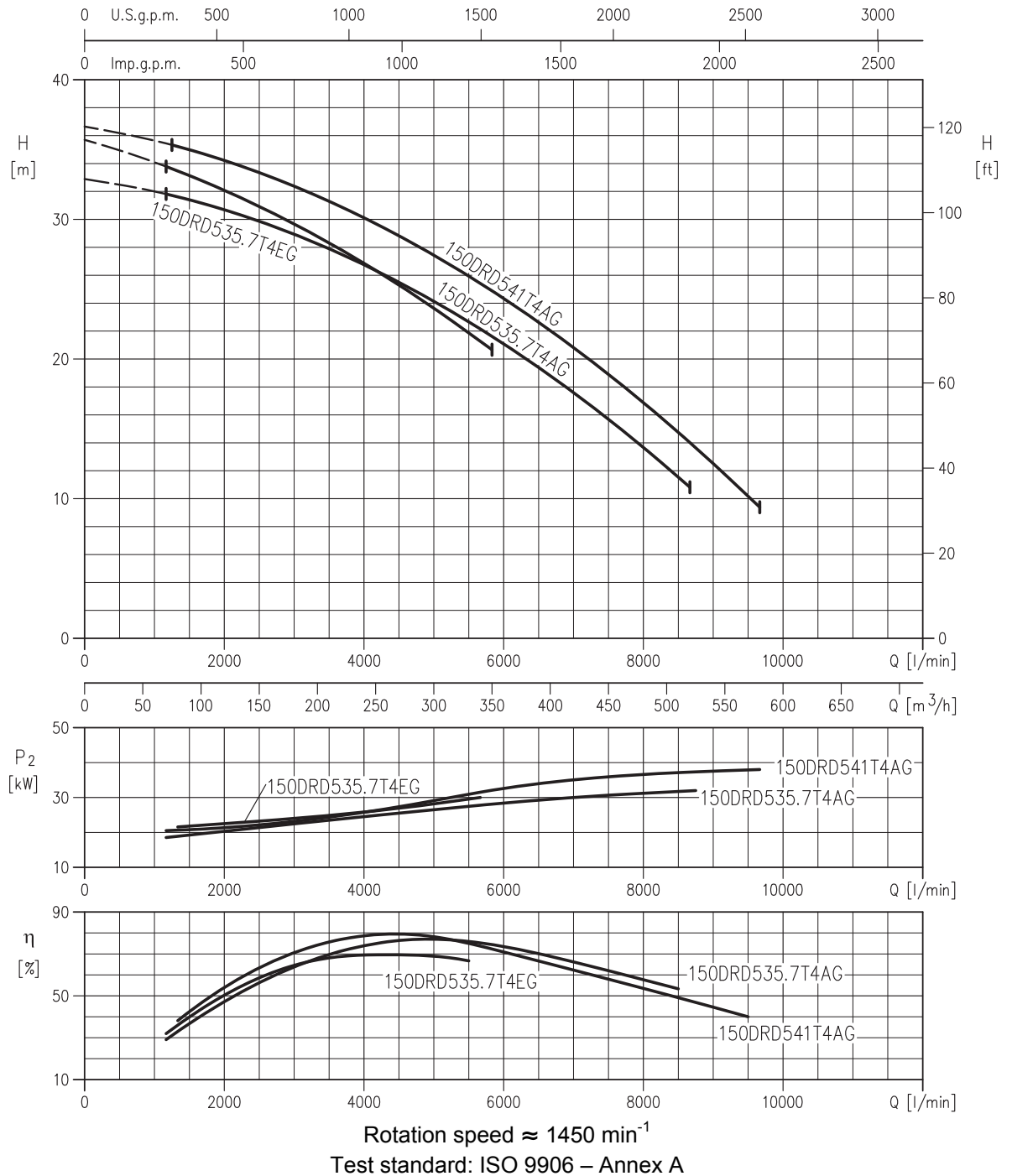
Rotation speed $\approx 1450 \text{ min}^{-1}$
 Test standard: ISO 9906 – Annex A

150DRD535T2AG (35 kW)

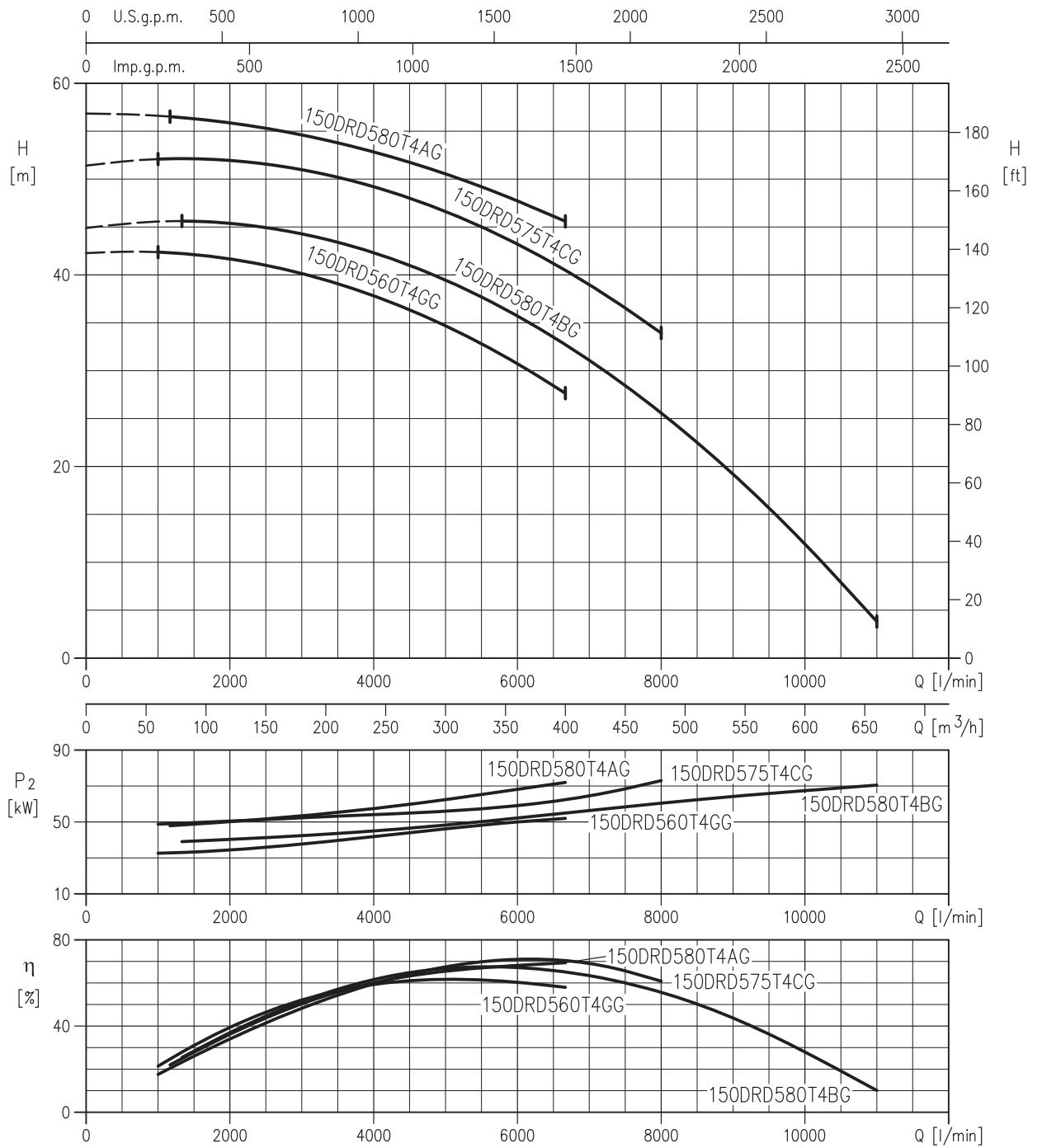


Rotation speed ≈ 2900 min⁻¹
 Test standard: ISO 9906 – Annex A

150DRD535.7T4EG (35.7 kW)
150DRD535.7T4AG (35.7 kW)
150DRD541T4AG (41 kW)

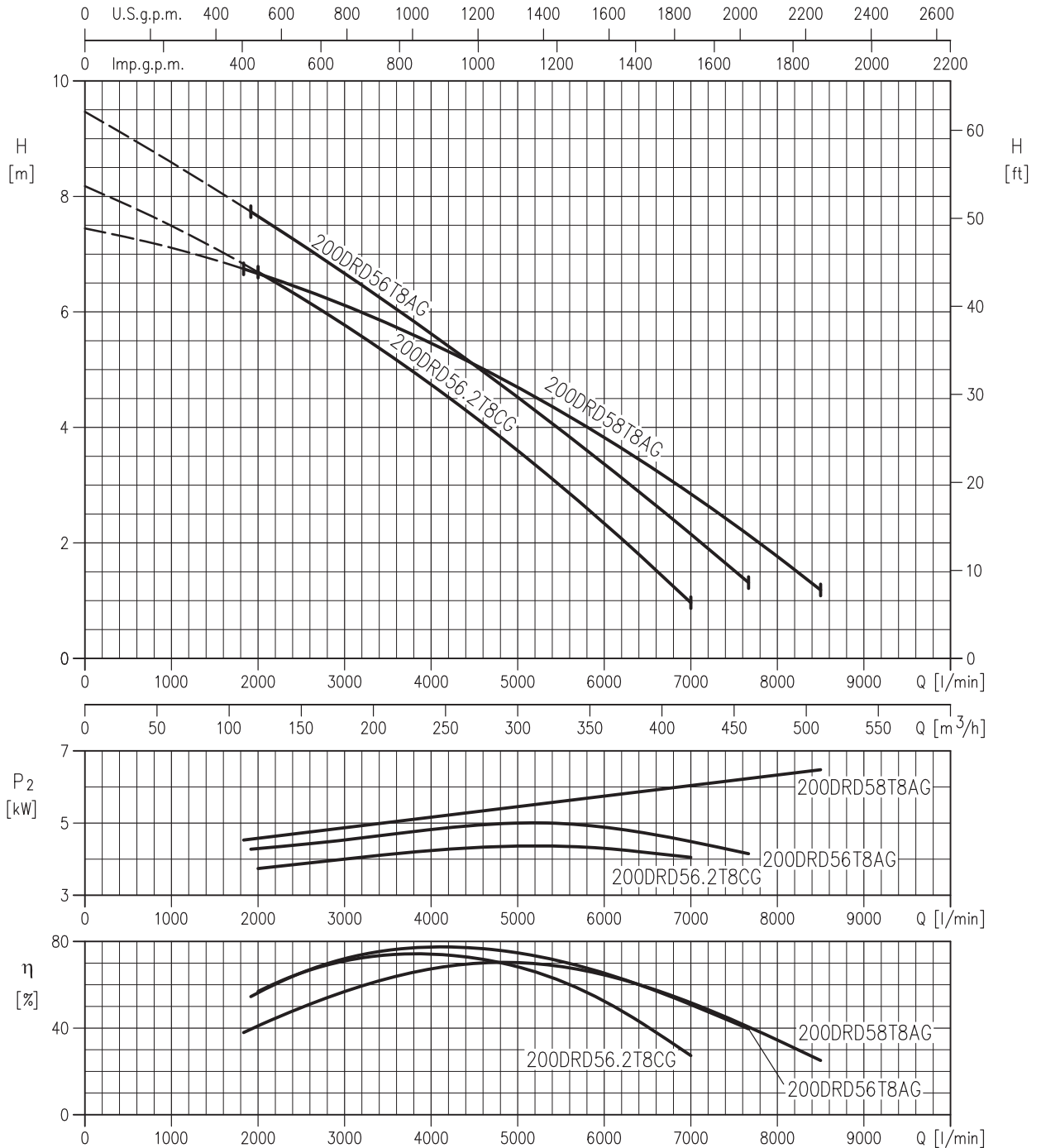


150DRD560T4GG (60 kW)
 150DRD575T4CG (75 kW)
 150DRD580T4BG (80 kW)
 150DRD580T4AG (80 kW)



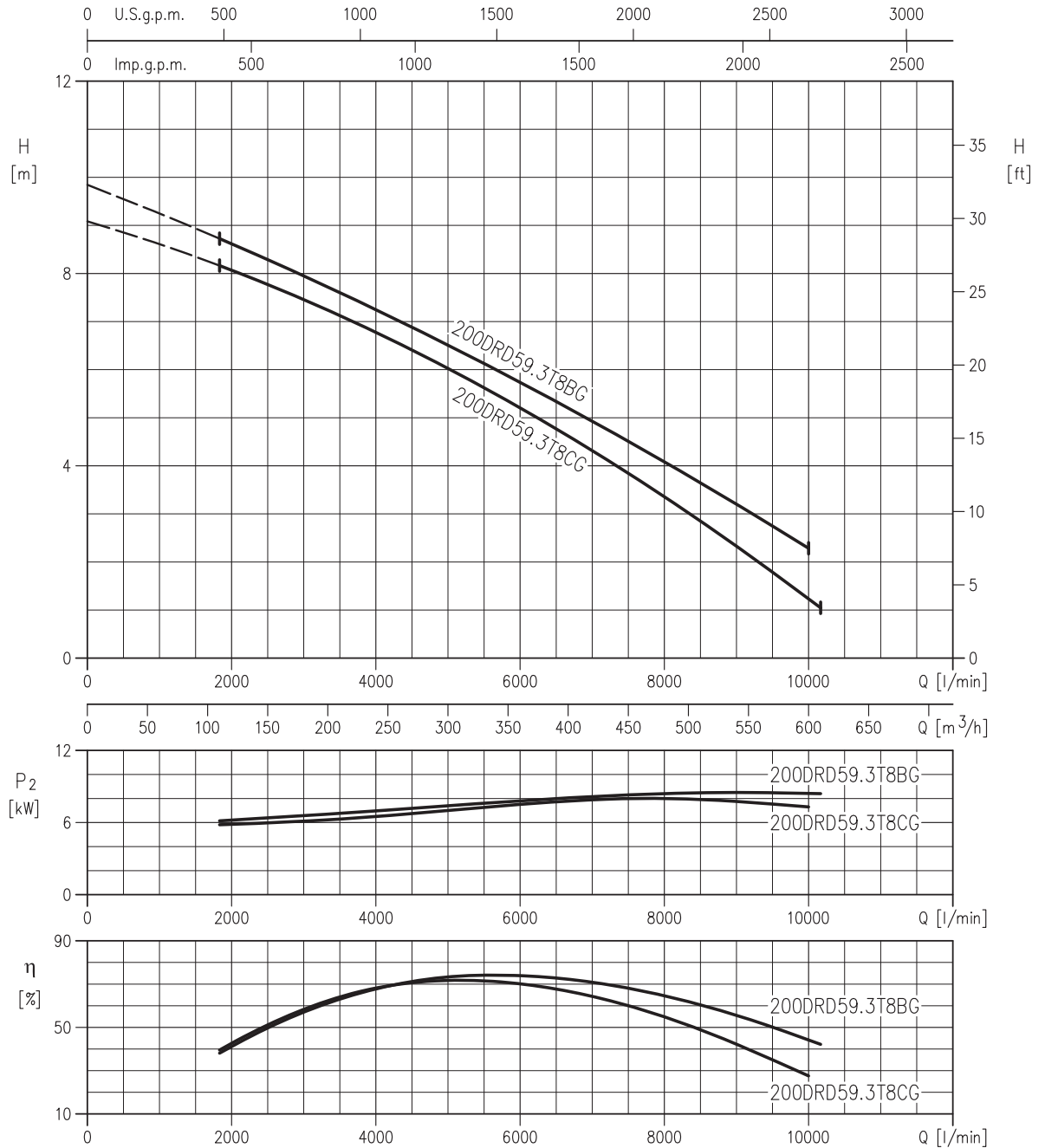
Rotation speed ≈ 1450 min⁻¹
 Test standard: ISO 9906 – Annex A

200DRD56T8AG (6.0 kW)
200DRD56.2T8CG (6.2 kW)
200DRD58T8AG (8.0 kW)



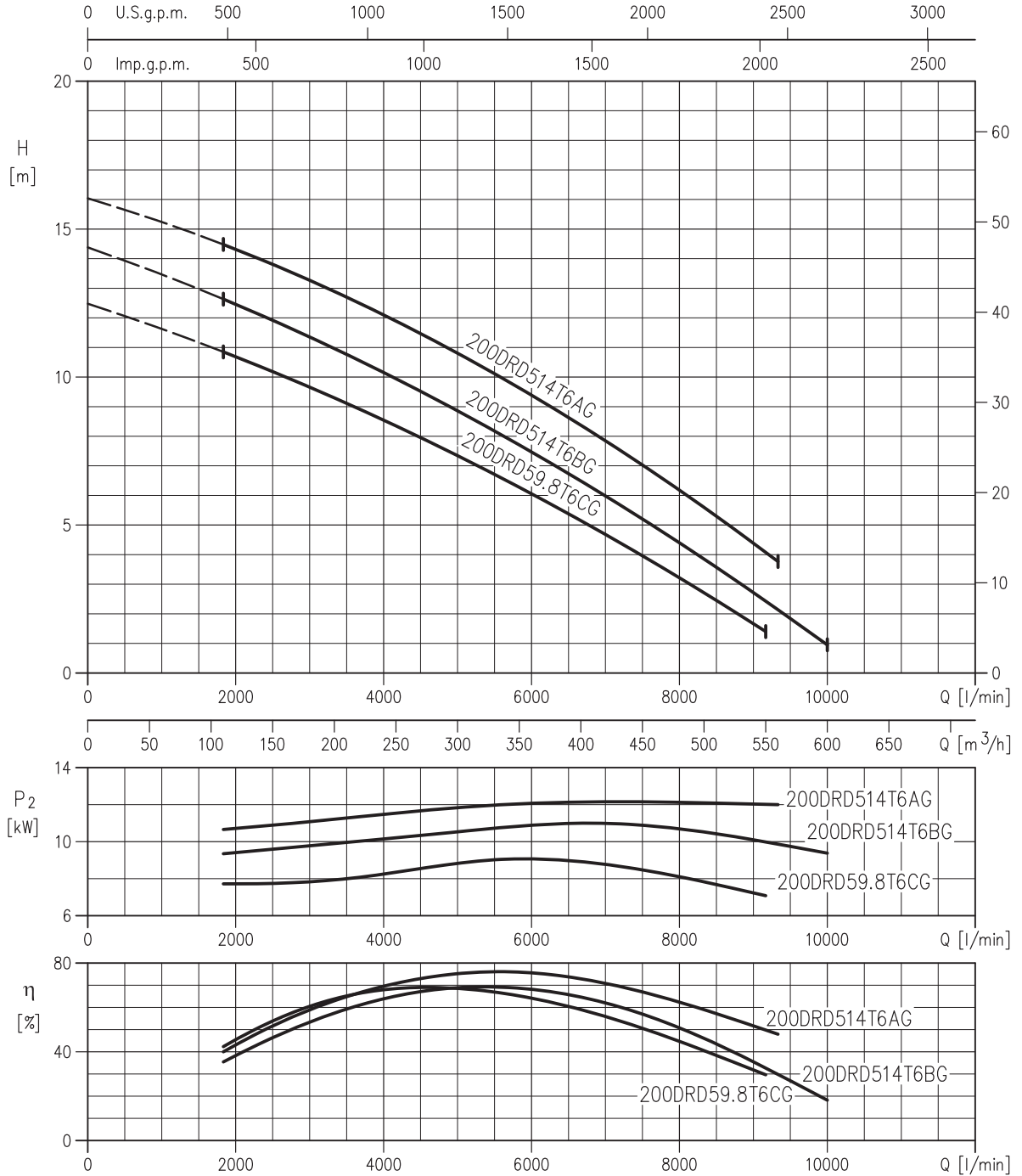
Rotation speed $\approx 700 \text{ min}^{-1}$
 Test standard: ISO 9906 – Annex A

200DRD59.3T8CG (9.3 kW)
200DRD59.3T8BG (9.3 kW)



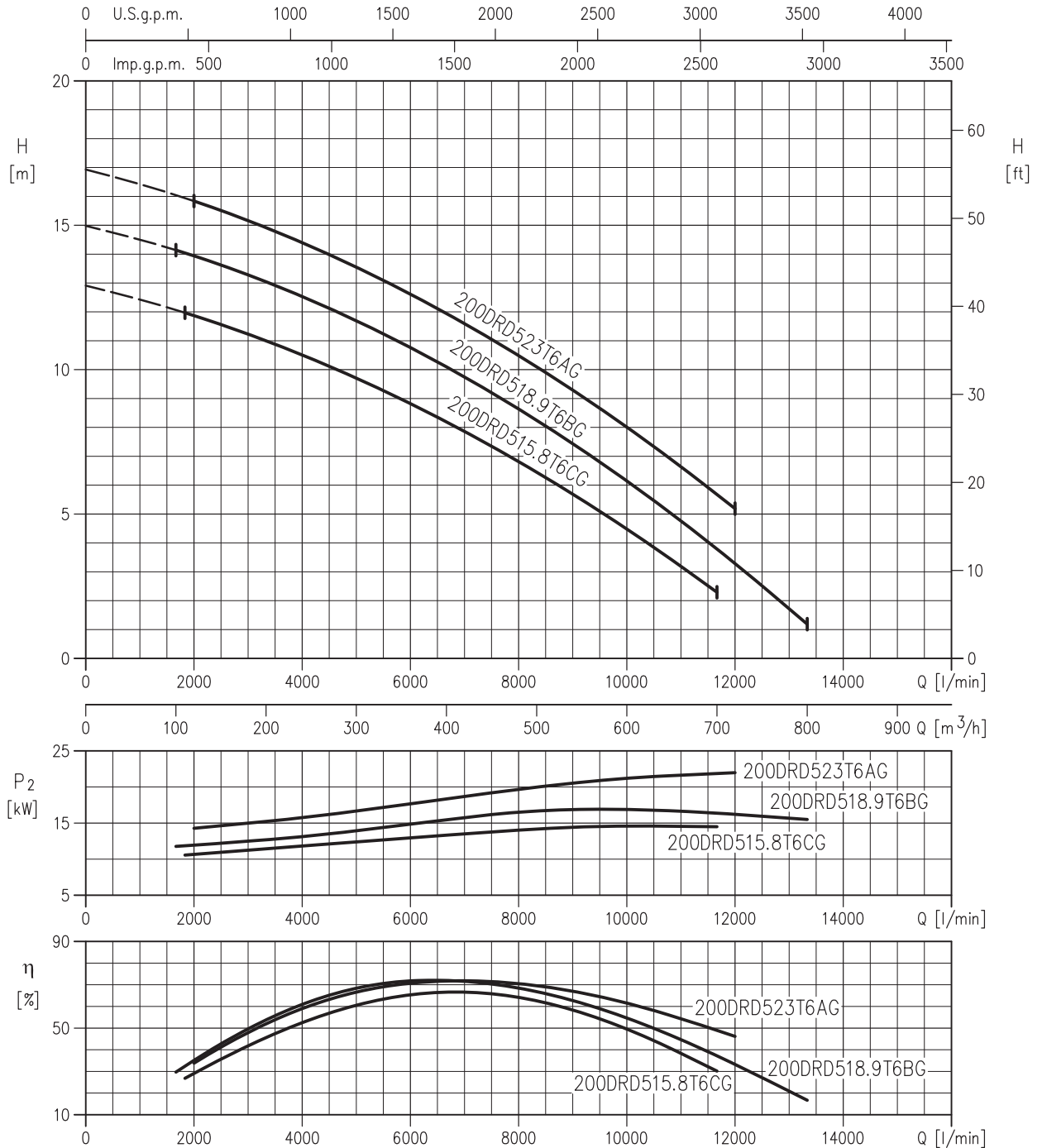
Rotation speed ≈ 700 min⁻¹
 Test standard: ISO 9906 – Annex A

200DRD59.8T6CG (9.8 kW)
200DRD514T6BG (14 kW)
200DRD514T6AG (14 kW)



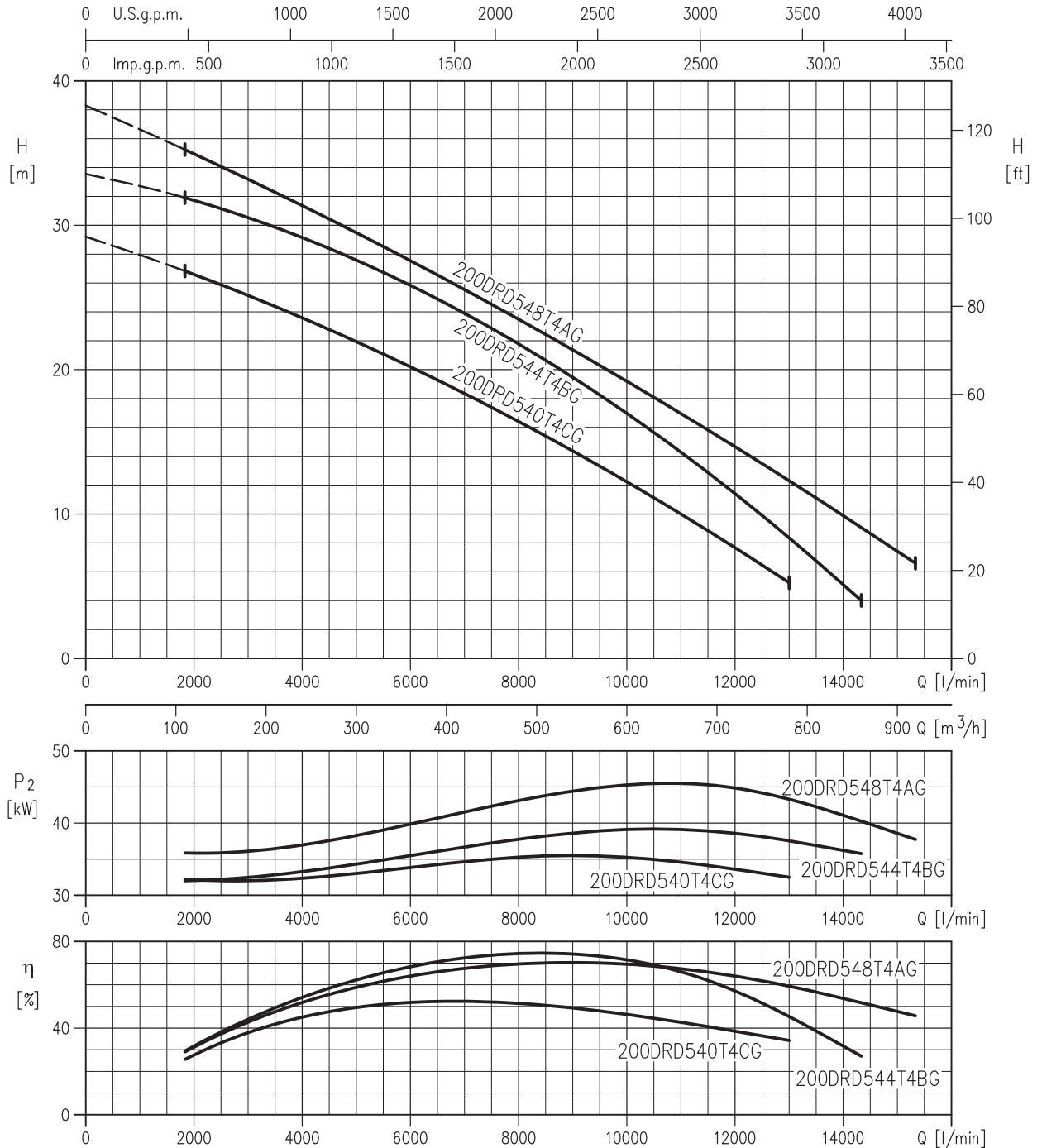
Rotation speed $\approx 950 \text{ min}^{-1}$
 Test standard: ISO 9906 – Annex A

200DRD515.8T6CG (15.8 kW)
200DRD518.9T6BG (18.9 kW)
200DRD523T6AG (23 kW)



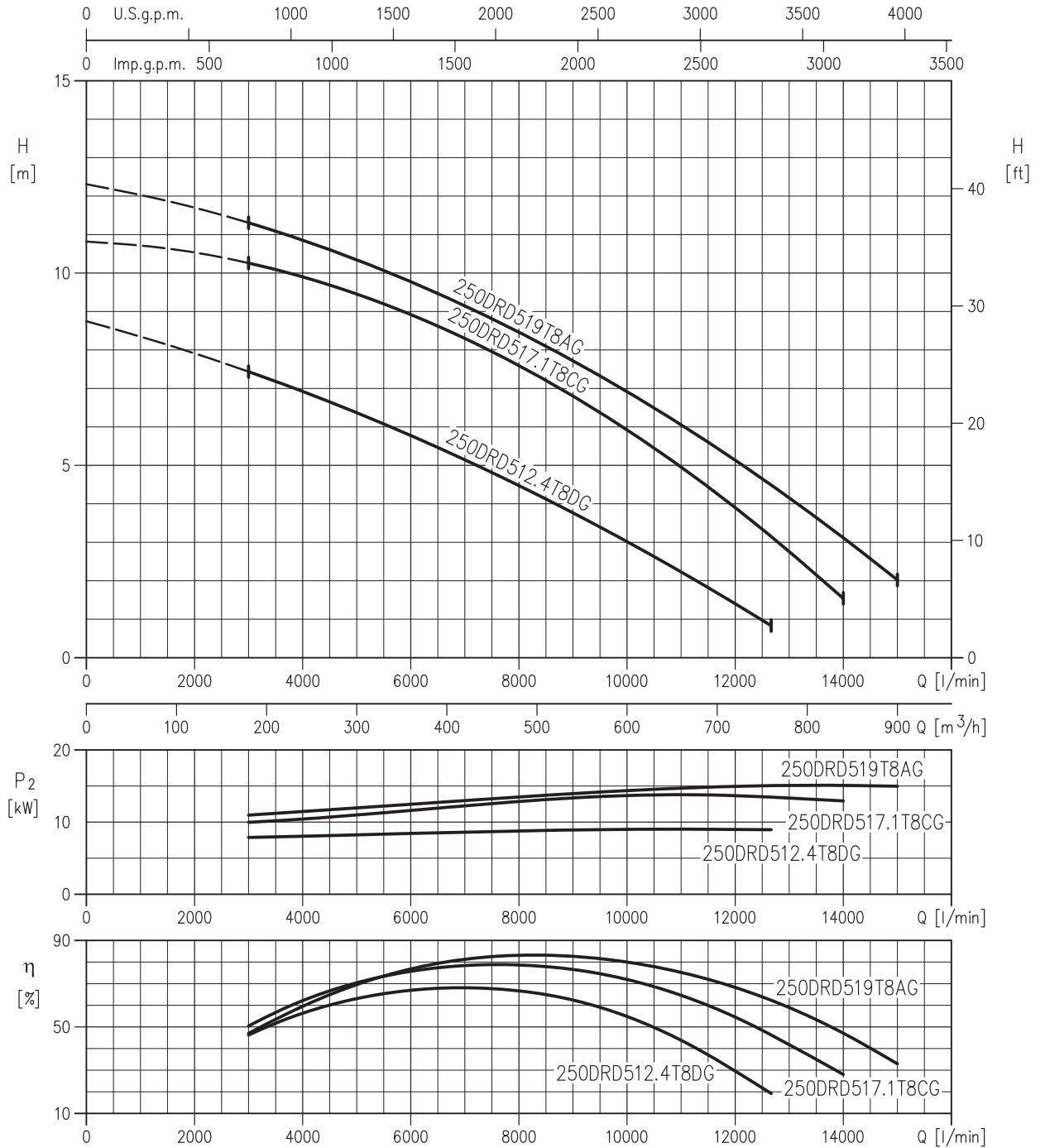
Rotation speed $\approx 950 \text{ min}^{-1}$
 Test standard: ISO 9906 – Annex A

200DRD540T4CG (40 kW)
200DRD544T4BG (44 kW)
200DRD548T4AG (48 kW)

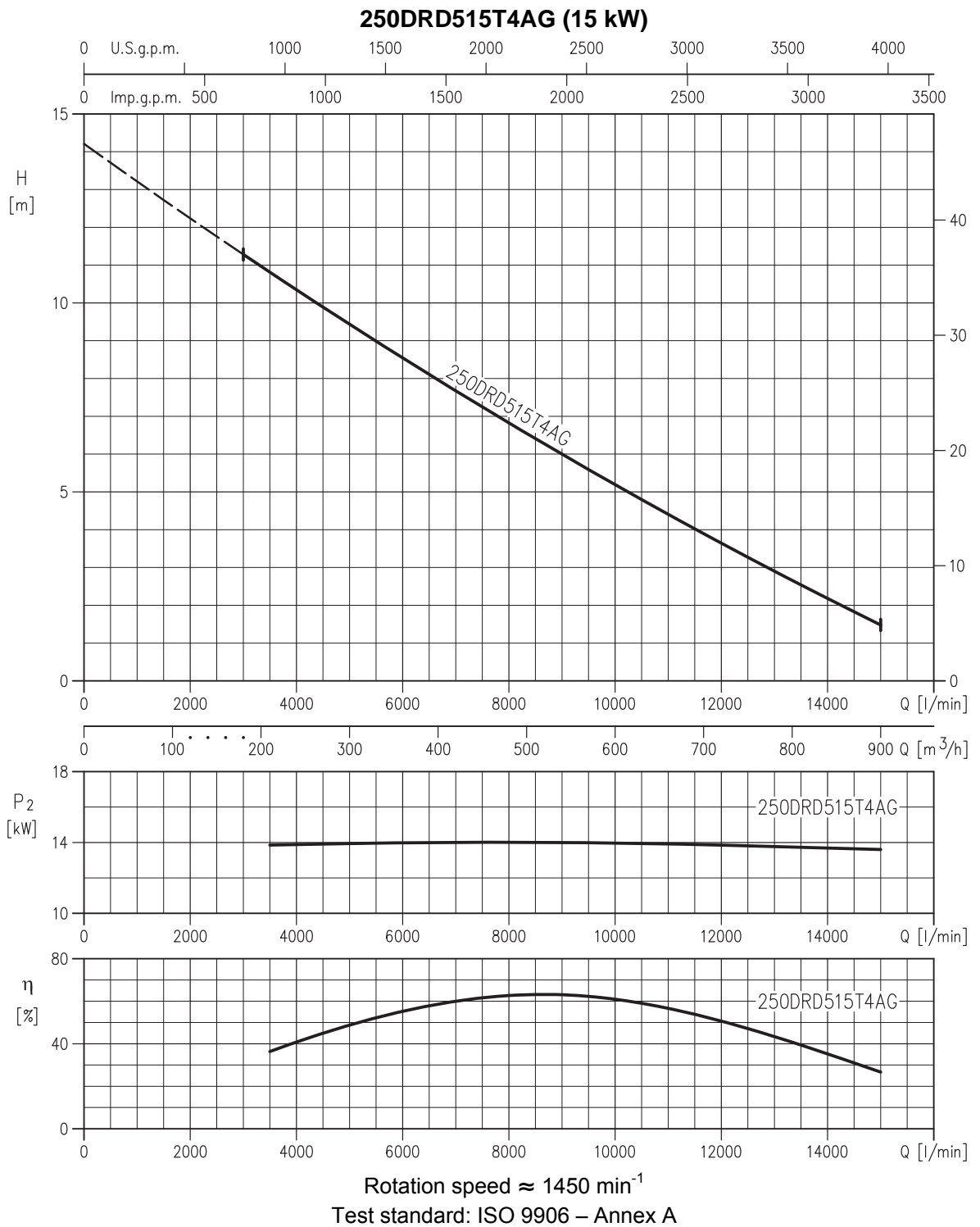


Rotation speed $\approx 1450 \text{ min}^{-1}$
 Test standard: ISO 9906 – Annex A

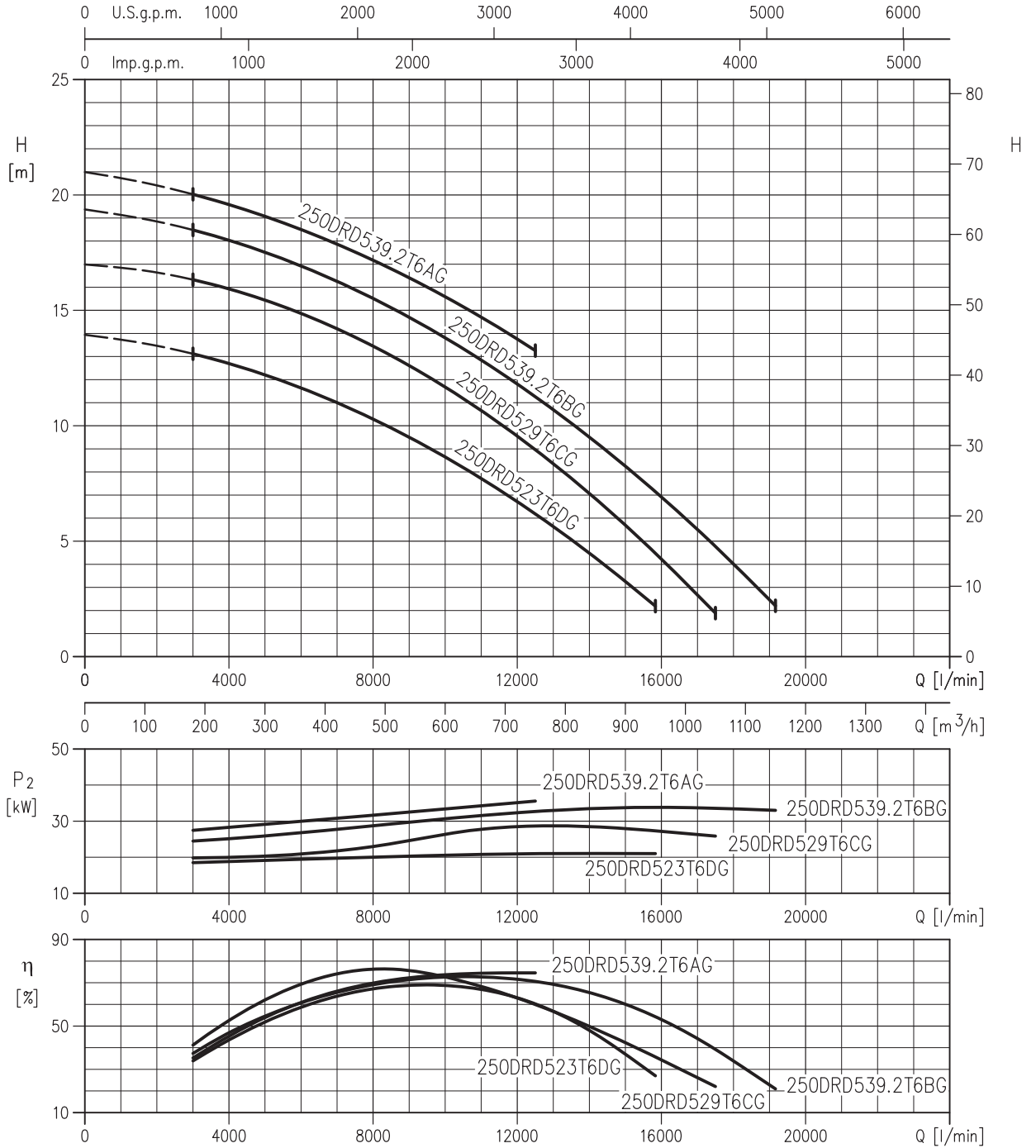
250DRD512.4T8DG (12.4 kW)
250DRD517.1T8CG (17.1 kW)
250DRD519T8AG (19 kW)



Rotation speed $\approx 700 \text{ min}^{-1}$
 Test standard: ISO 9906 – Annex A

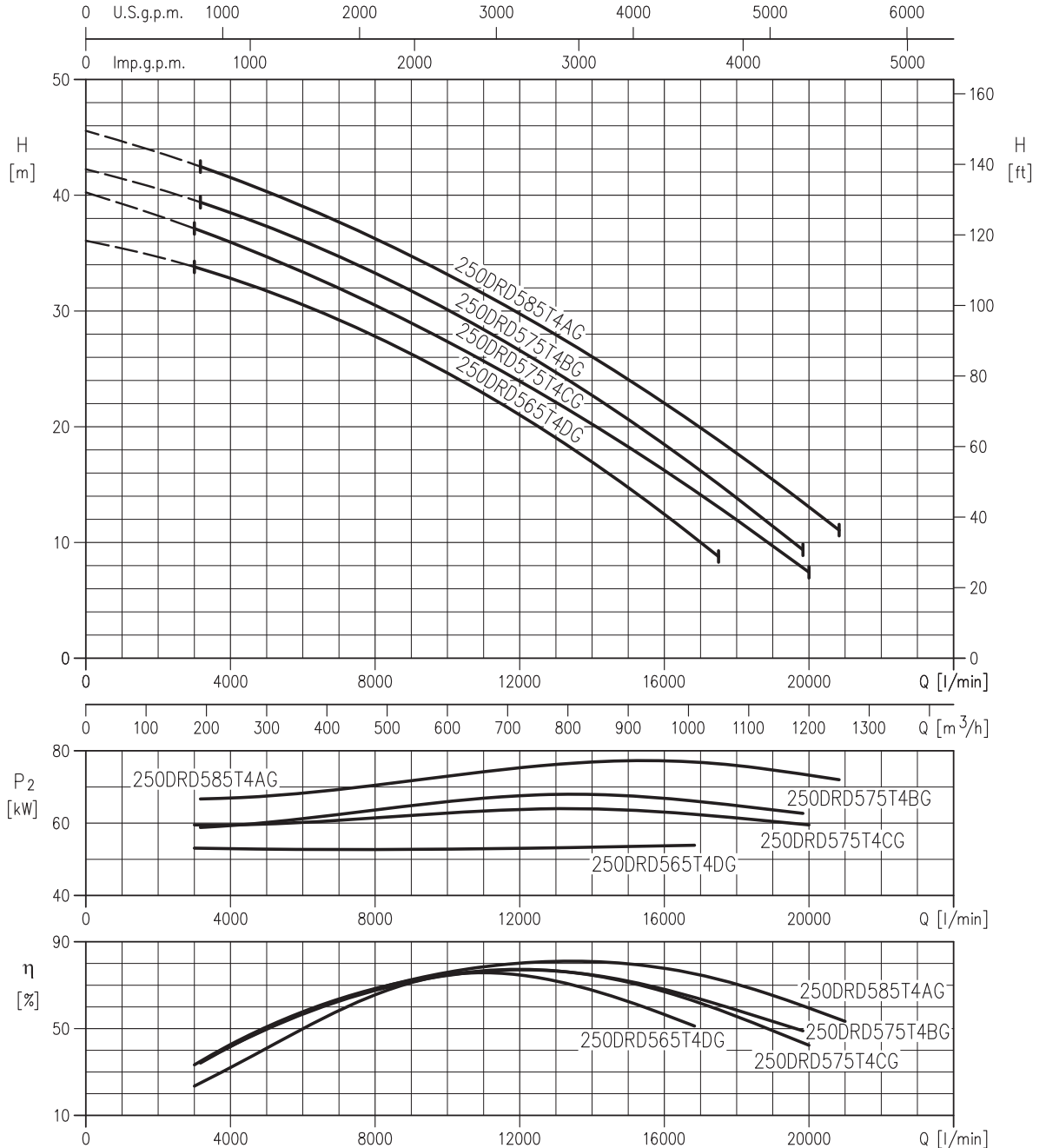


250DRD523T6DG (23 kW)
250DRD529T6CG (29 kW)
250DRD539.2T6BG (39.2 kW)
250DRD539.2T6AG (39.2 kW)



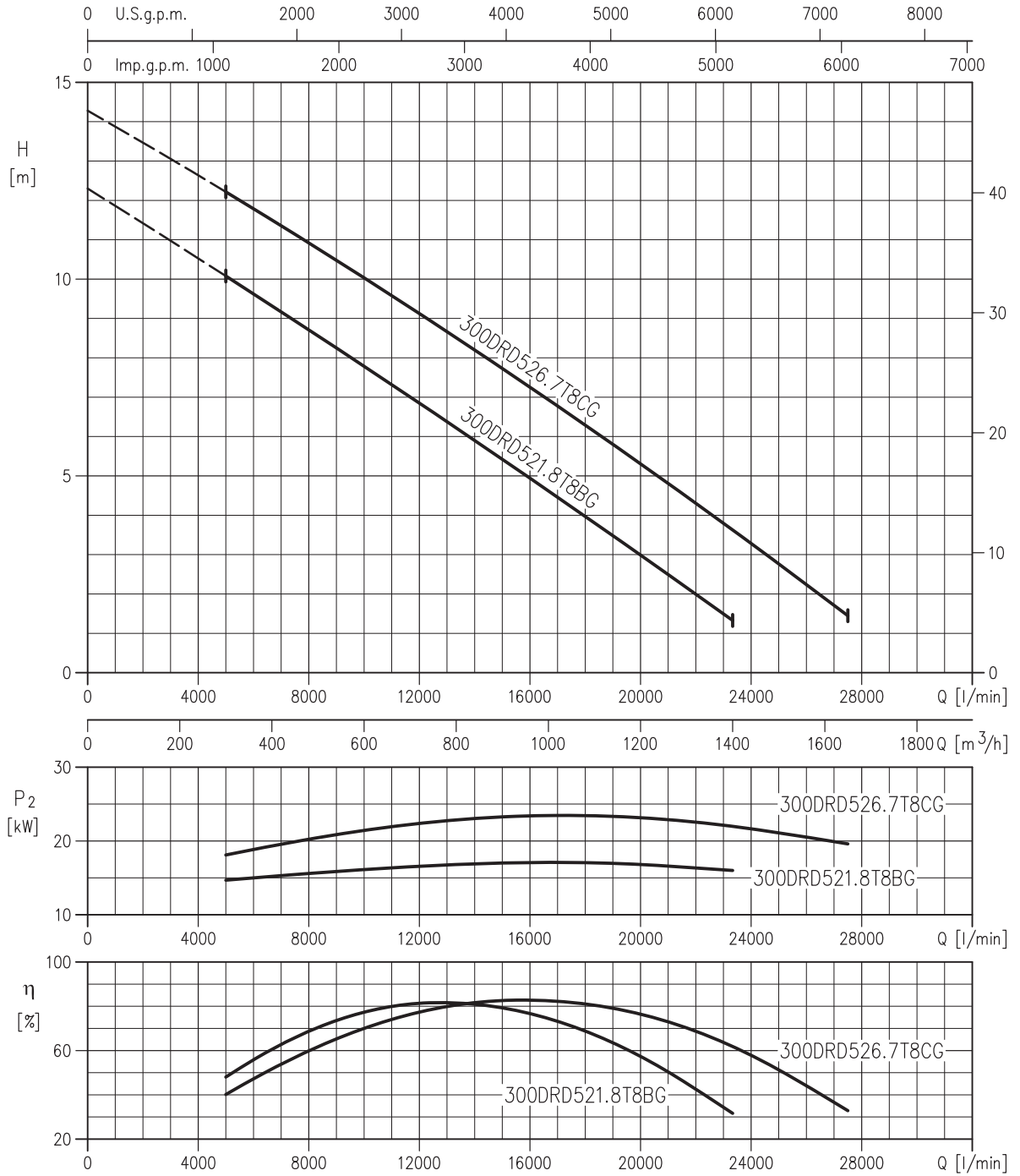
Rotation speed $\approx 950 \text{ min}^{-1}$
 Test standard: ISO 9906 – Annex A

250DRD565T4DG (65 kW)
 250DRD575T4CG (75 kW)
 250DRD575T4BG (75 kW)
 250DRD585T4AG (85 kW)



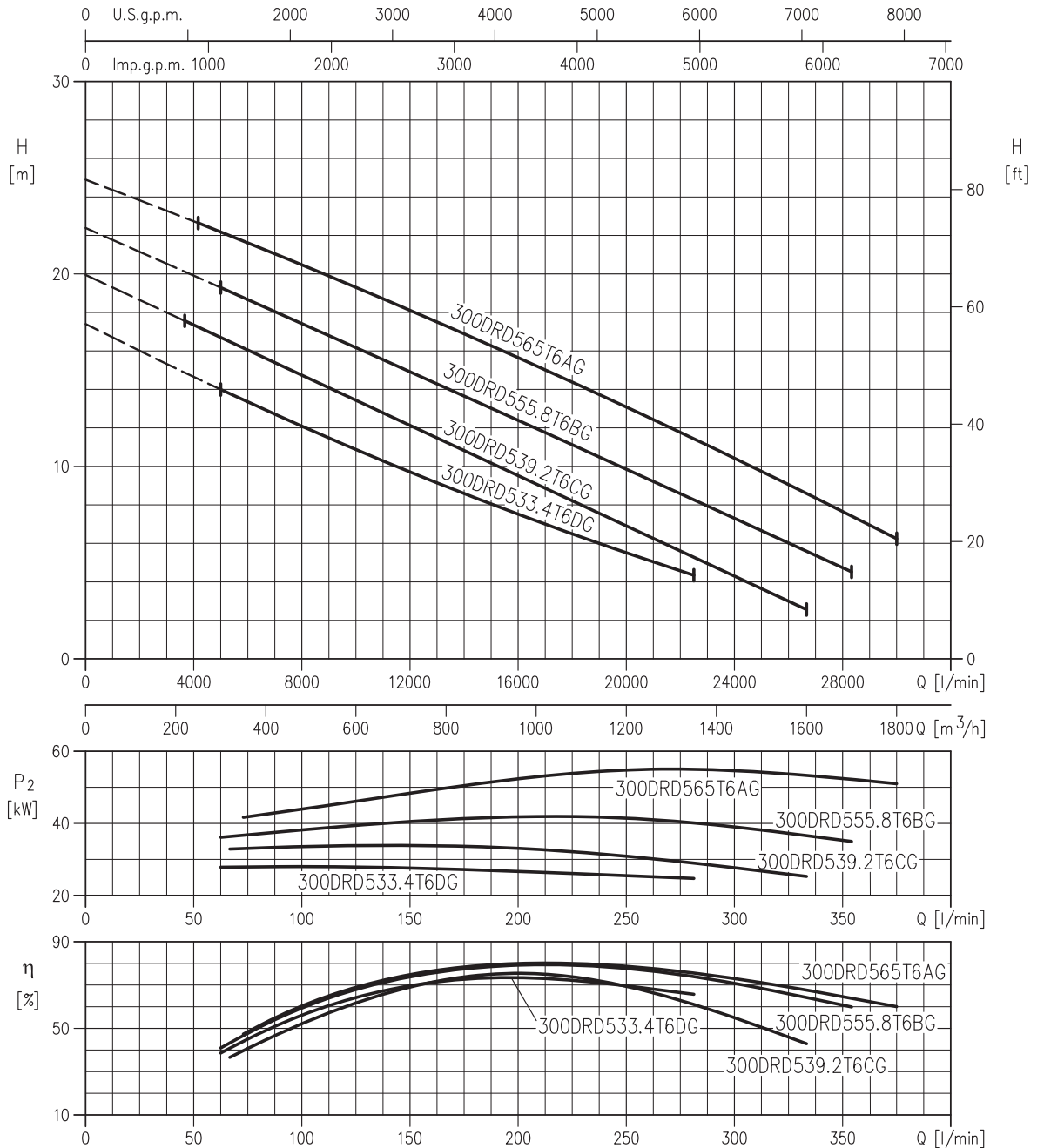
Rotation speed ≈ 1450 min⁻¹
 Test standard: ISO 9906 – Annex A

300DRD521.8T8BG (21.8 kW)
300DRD526.7T8CG (26.7 kW)



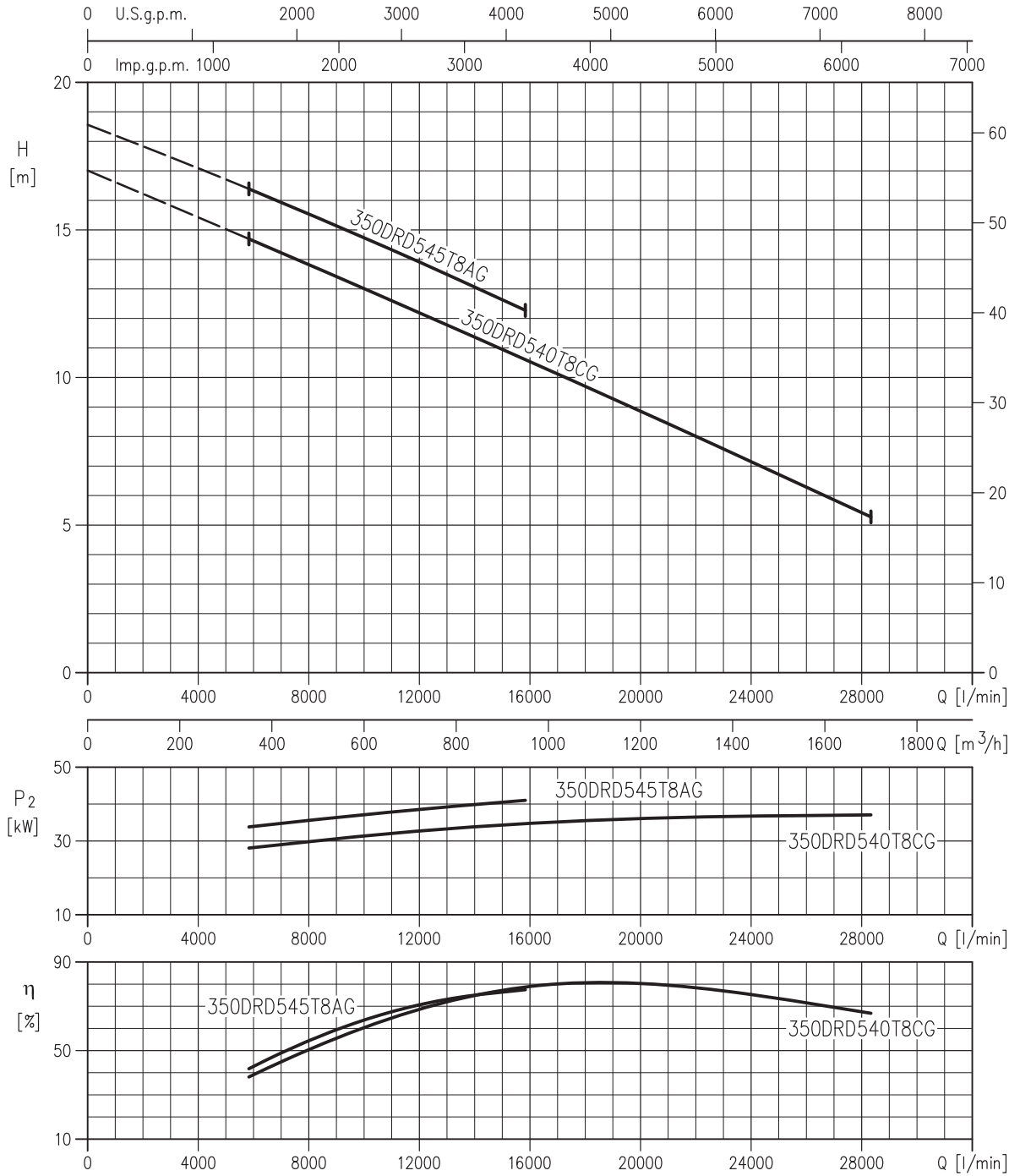
Rotation speed $\approx 700 \text{ min}^{-1}$
 Test standard: ISO 9906 – Annex A

300DRD533.4T6DG (33.4 kW)
300DRD539.2T6CG (39.2 kW)
300DRD555.8T6BG (55.8 kW)
300DRD565T6AG (65 kW)



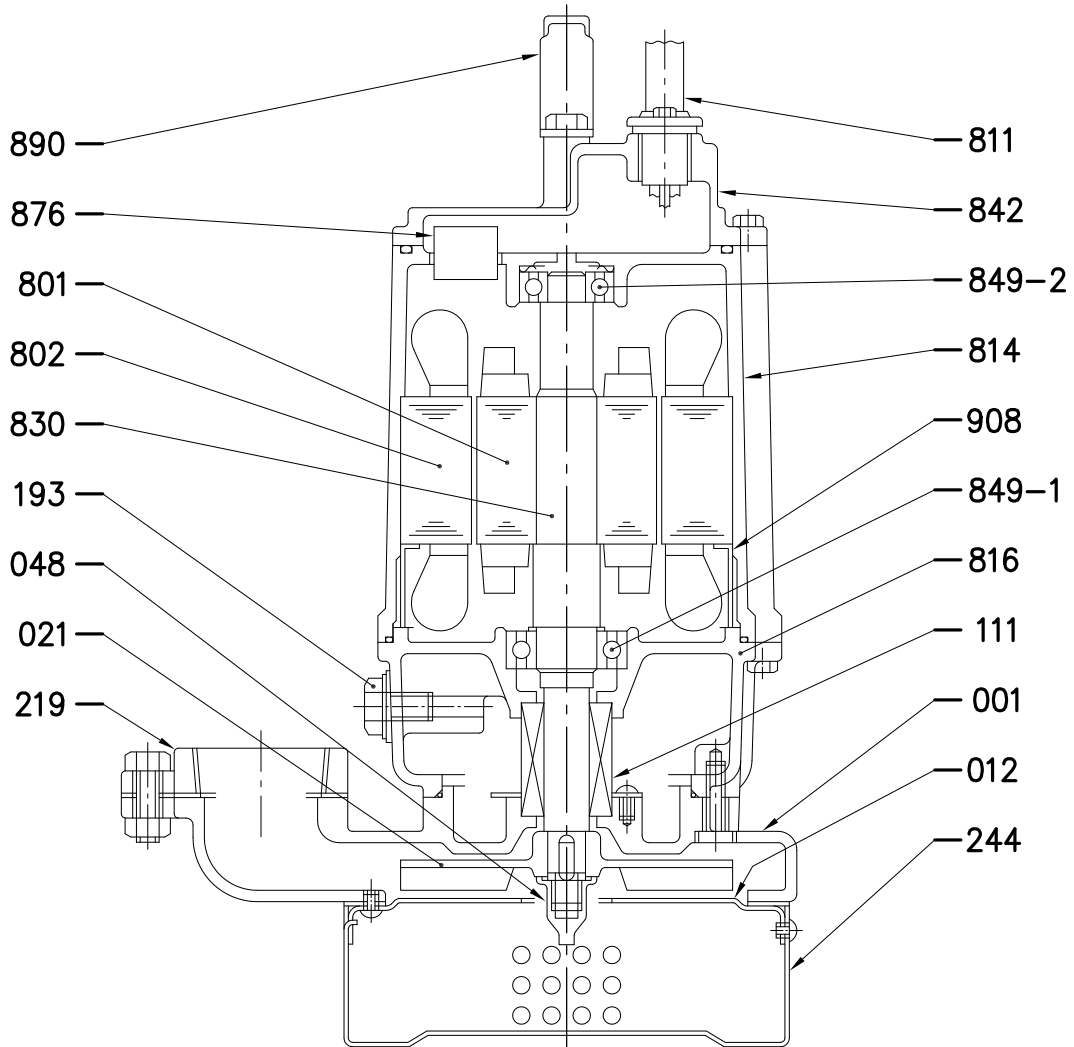
Rotation speed $\approx 950 \text{ min}^{-1}$
 Test standard: ISO 9906 – Annex A

350DRD540T8CG (40 kW)
350DRD545T8AG (45 kW)



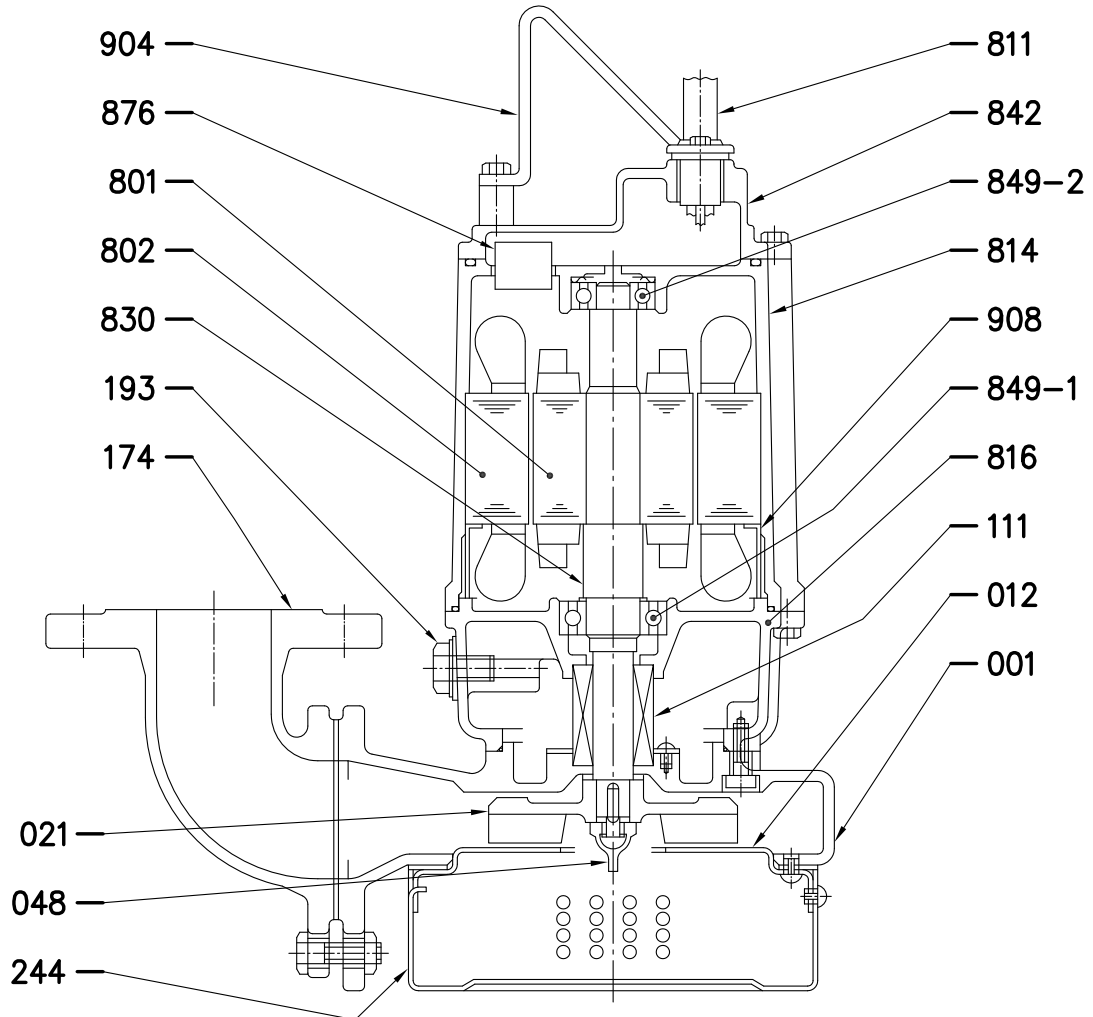
Rotation speed ≈ 700 min⁻¹
 Test standard: ISO 9906 – Annex A

50DS (1.5kW)



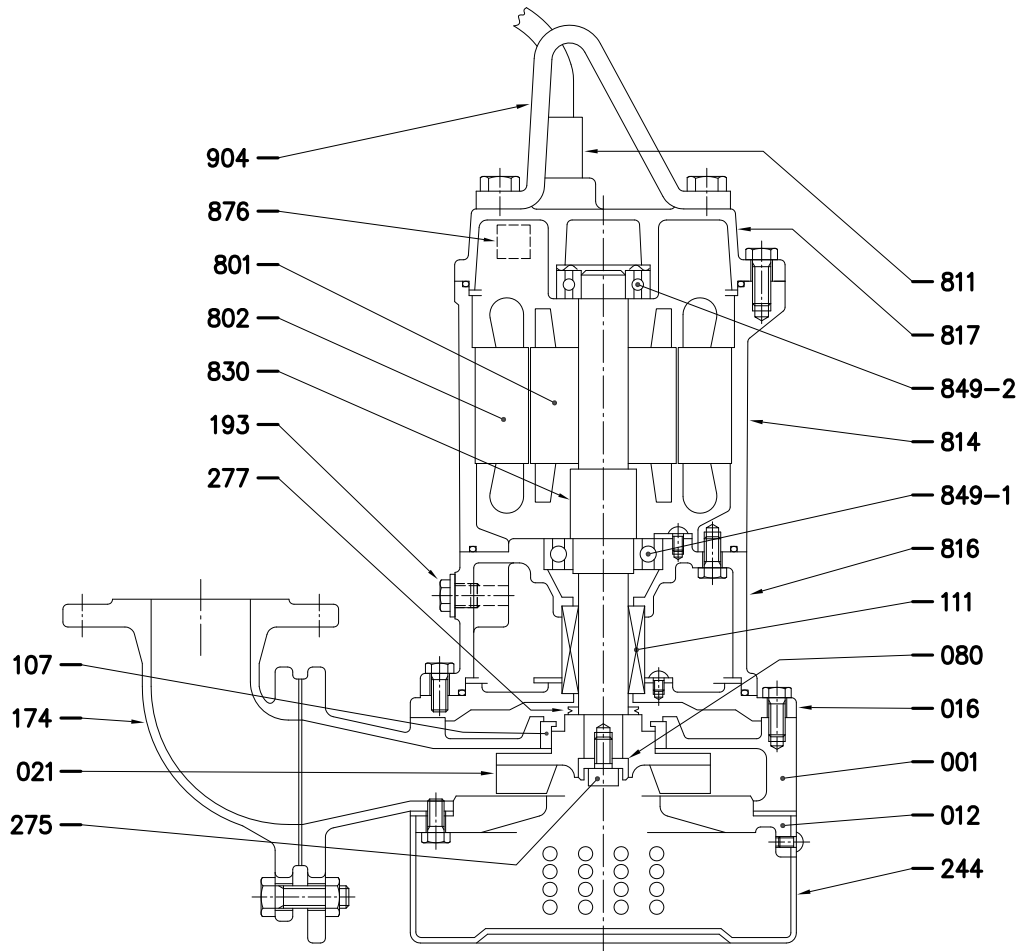
N°	PART. NAME	MATERIAL	Q.TY	N°	PART. NAME	MATERIAL	Q.TY
001	CASING	Cast iron EN-GHJL-200-EN 1561	1	811	SUBMERSIBLE CABLE	-	1
012	SUCTION COVER	EN 1.4301 (AISI304)	1	814	MOTOR FRAME	Cast iron EN-GHJL-200-EN 1561	1
021	IMPELLER	Cast iron EN-GHJL-200-EN 1561	1	816	POWER SIDE BRACKET	Cast iron EN-GHJL-200-EN 1561	1
048	IMPELLER NUT	Brass	1	830	SHAFT	EN 1.4006 (AISI403)	1
111	MECHANICAL SEAL	-	1	842	MOTOR COVER	Cast iron EN-GHJL-200-EN 1561	1
193	OIL PLUG	NBR/EN 1.4301 (AISI304)	1	849-1	BALL BEARING	-	1
219	COMPANION FLANGE	Cast iron EN-GHJL-200-EN 1561	1	849-2	BALL BEARING	-	1
244	STRAINER	EN 1.4301 (AISI304)	1	876	PROTECTOR	-	1
801	ROTOR	-	1	890	HANDLE	Stainless steel	1
802	STATOR	-	1	908	SPACER	Steel	1

65DS (1.5kW)

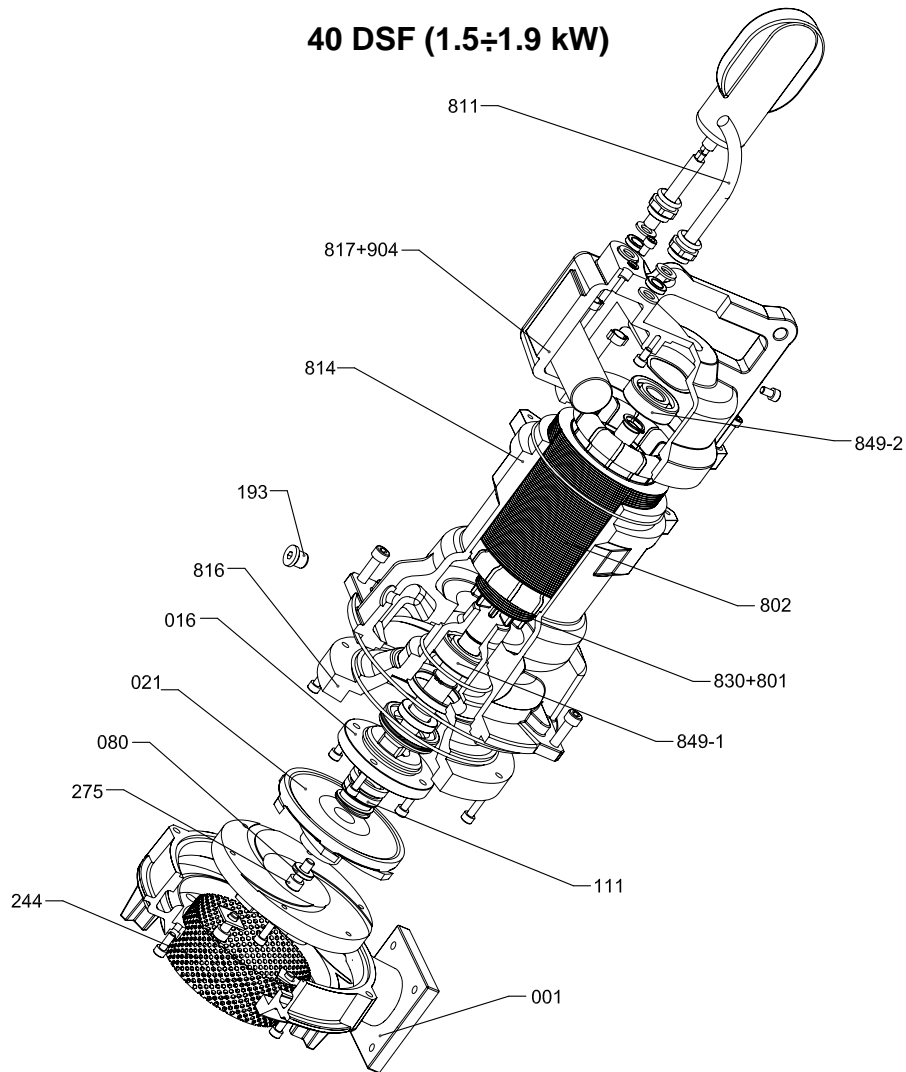


N°	PART. NAME	MATERIAL	Q.TY	N°	PART. NAME	MATERIAL	Q.TY
001	CASING	Cast iron EN-GHJL-200-EN 1561	1	811	SUBMERSIBLE CABLE	-	1
012	SUCTION COVER	EN 1.4301 (AISI304)	1	814	MOTOR FRAME	Cast iron EN-GHJL-200-EN 1561	1
021	IMPELLER	Cast iron EN-GHJL-200-EN 1561	1	816	POWER SIDE BRACKET	Cast iron EN-GHJL-200-EN 1561	1
048	IMPELLER NUT	Brass	1	830	SHAFT	EN 1.4006 (AISI403)	1
111	MECHANICAL SEAL	-	1	842	MOTOR COVER	Cast iron EN-GHJL-200-EN 1561	1
174	DISCHARGE BEND	Cast iron EN-GHJL-200-EN 1561	1	849-1	BALL BEARING	-	1
193	OIL PLUG	NBR/EN 1.4301 (AISI304)	1	849-2	BALL BEARING	-	1
244	STRAINER	EN 1.4301 (AISI304)	1	876	PROTECTOR	-	1
801	ROTOR	-	1	904	LIFTING HANGER	Stainless steel	1
802	STATOR	-	1	908	SPACER	Steel	1

50(80)DS (2.2÷3.7 kW)
100DS (5.5÷7.5 kW)

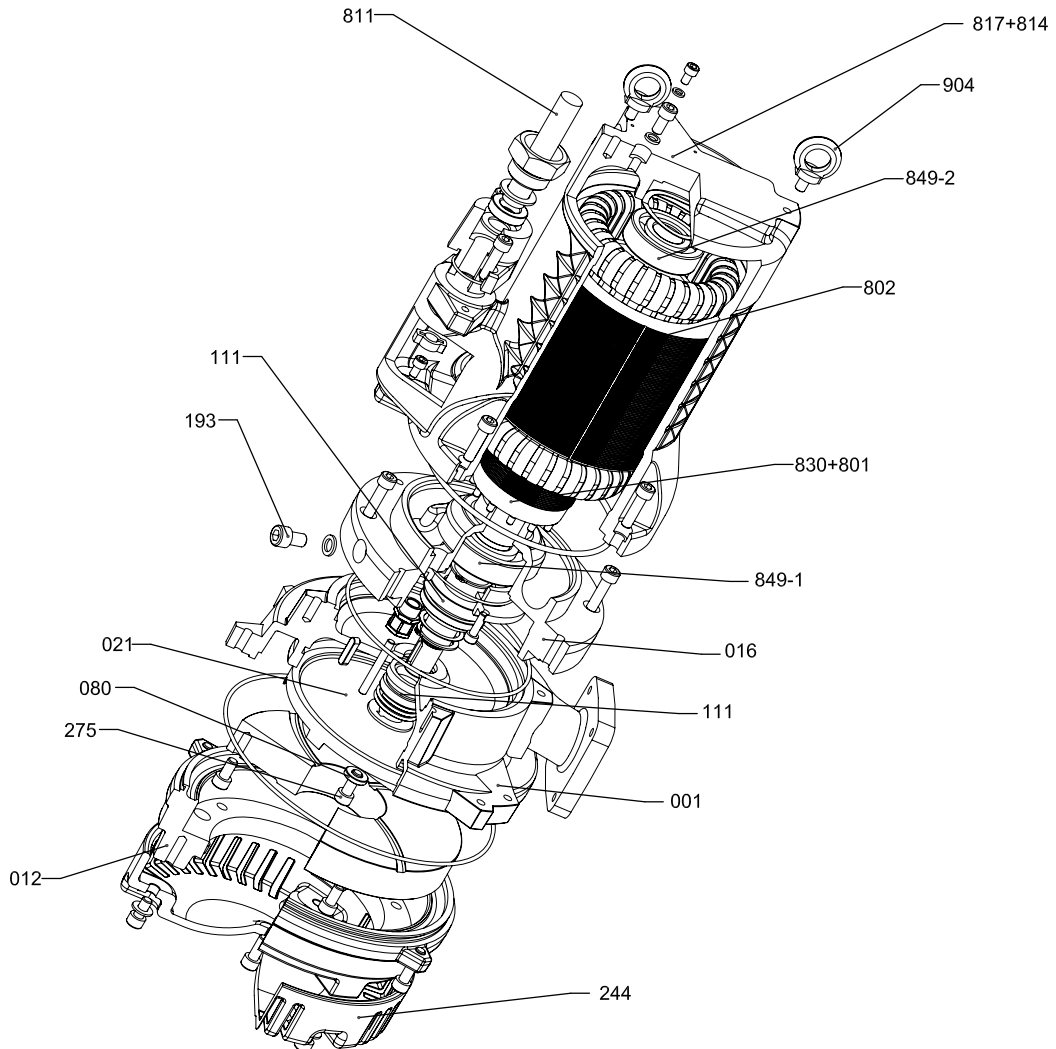


N°	PART. NAME	MATERIAL	Q.TY	N°	PART. NAME	MATERIAL	Q.TY
001	CASING	Cast iron EN-GHJL-200-EN 1561	1	801	ROTOR	-	1
012	SUCTION COVER	Cast iron EN-GHJL-200-EN 1561	1	802	STATOR	-	1
016	MECHANICAL SEAL COVER	Cast iron EN-GHJL-200-EN 1561	1	811	SUBMERSIBLE CABLE	-	1
021	IMPELLER	Cast iron EN-GHJL-200-EN 1561	1	814	MOTOR FRAME	Cast iron EN-GHJL-200-EN 1561	1
080	BUSHING	EN 1.4301 (AISI304)	1	816	POWER SIDE BRACKET	Cast iron EN-GHJL-200-EN 1561	1
107	CASING RING	Brass	1	817	MOTOR COVER	Cast iron EN-GHJL-200-EN 1561	1
111	MECHANICAL SEAL	-	1	830	SHAFT	EN 1.4006 (AISI403)	1
174	DISCHARGE BEND	Cast iron EN-GHJL-200-EN 1561	1	849-1	BALL BEARING	-	1
193	OIL PLUG	NBR/EN 1.4301 (AISI304)	1	849-2	BALL BEARING	-	1
244	STRAINER	EN 1.4301 (AISI304)	1	876	PROTECTOR	-	1
275	IMPELLER BOLT	EN 1.4301 (AISI304)	1	904	LIFTING HANGER	Stainless steel	1
277	V-RING	-	1				



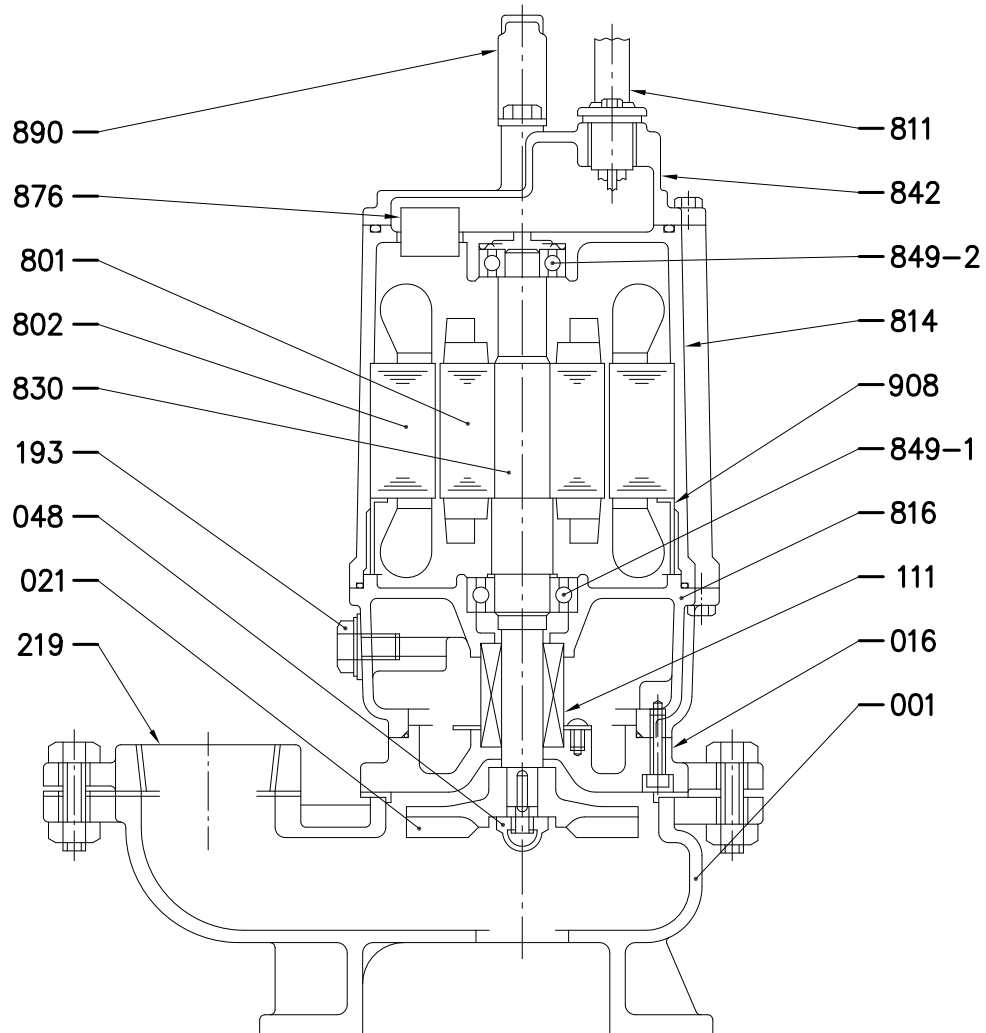
N°	PART NAME	MATERIAL	Q.TY
001	CASING	CAST IRON EN-GJL-250	1
016	MECHANICAL SEAL COVER	CAST IRON EN-GJL-250	1
021	IMPELLER	DUCTILE IRON GS400 UNI-EN1563	1
080	BUSHING	STEEL	1
111	MECHANICAL SEAL	-	1
193	OIL PLUG	NBR / STAINLESS STEEL	1
244	STRAINER	AISI 316L	1
275	IMPELLER BOLT	CLASS A2 AISI 304	1
801	ROTOR	-	1
802	STATOR	-	1
811	SUBMERSIBLE CABLE	-	1
814	MOTOR FRAME	GHISA EN-GJL-250	1
816	POWER SIDE BRACKET	GHISA EN-GJL-250	1
817	OPPOSITE SIDE BRACKET	GHISA EN-GJL-250	1
830	SHAFT	AISI 420B	1
849-1	BALL BEARING	-	1
849-2	BALL BEARING	-	1
904	LIFTING HANGER	CAST IRON EN-GJL-250	1

40 DSF (6.0 kW)



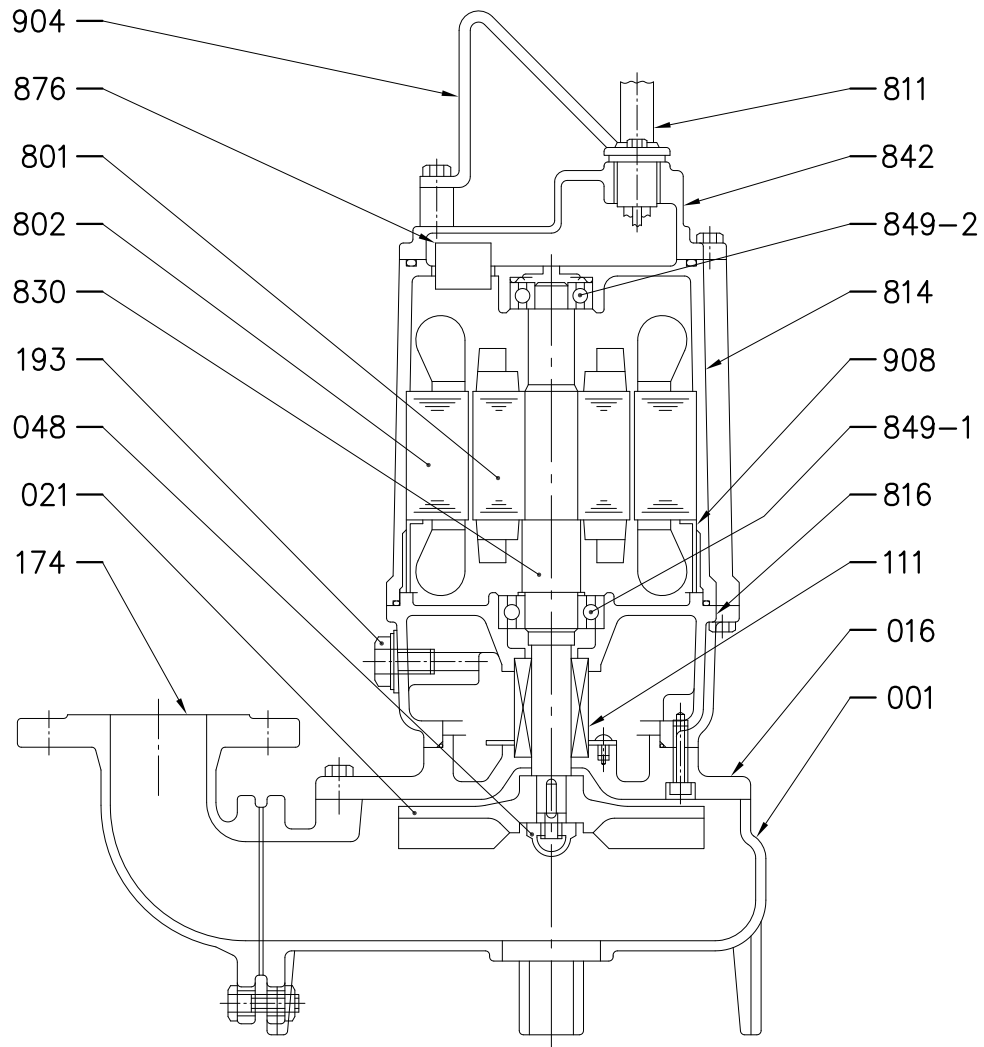
N°	PART NAME	MATERIAL	Q.TY
001	CASING	CAST IRON EN-GJL-250	1
012	SUCTION COVER	CAST IRON EN-GJL-250	1
016	MECHANICAL SEAL COVER	CAST IRON EN-GJL-250	1
021	IMPELLER	DUCTILE IRON GS400 UNI-EN1563	1
080	BUSHING	STEEL	1
111	MECHANICAL SEAL	-	2
193	OIL PLUG	NBR / STAINLESS STEEL	1
244	STRAINER	AISI 316L	1
275	IMPELLER BOLT	CLASS A2 AISI 304	1
801	ROTOR	-	1
802	STATOR	-	1
811	SUBMERSIBLE CABLE	-	1
814	MOTOR FRAME	CAST IRON EN-GJL-250	1
817	OPPOSITE SIDE BRACKET	CAST IRON EN-GJL-250	1
830	SHAFT	AISI 420B	1
849-1	BALL BEARING	-	1
849-2	BALL BEARING	-	1
904	LIFTING HANGER	STEEL	2

50DVS (1.5kW)



N°	PART. NAME	MATERIAL	Q.TY	N°	PART. NAME	MATERIAL	Q.TY
001	CASING	Cast iron EN-GHJL-200-EN 1561	1	814	MOTOR FRAME	Cast iron EN-GHJL-200-EN 1561	1
016	MECHANICAL SEAL COVER	Cast iron EN-GHJL-200-EN 1561	1	816	POWER SIDE BRACKET	Cast iron EN-GHJL-200-EN 1561	1
021	IMPELLER	Cast iron EN-GHJL-200-EN 1561	1	830	SHAFT	EN 1.4006 (AISI403)	1
048	IMPELLER NUT	Brass	1	842	MOTOR COVER	Cast iron EN-GHJL-200-EN 1561	1
111	MECHANICAL SEAL	-	1	849-1	BALL BEARING	-	1
193	OIL PLUG	NBR/EN 1.4301 (AISI304)	1	849-2	BALL BEARING	-	1
219	COMPANION FLANGE	Cast iron EN-GHJL-200-EN 1561	1	876	PROTECTOR	-	1
801	ROTOR	-	1	890	HANDLE	Stainless Steel	1
802	STATOR	-	1	908	SPACER	Steel	1
811	SUBMERSIBLE CABLE	-	1				

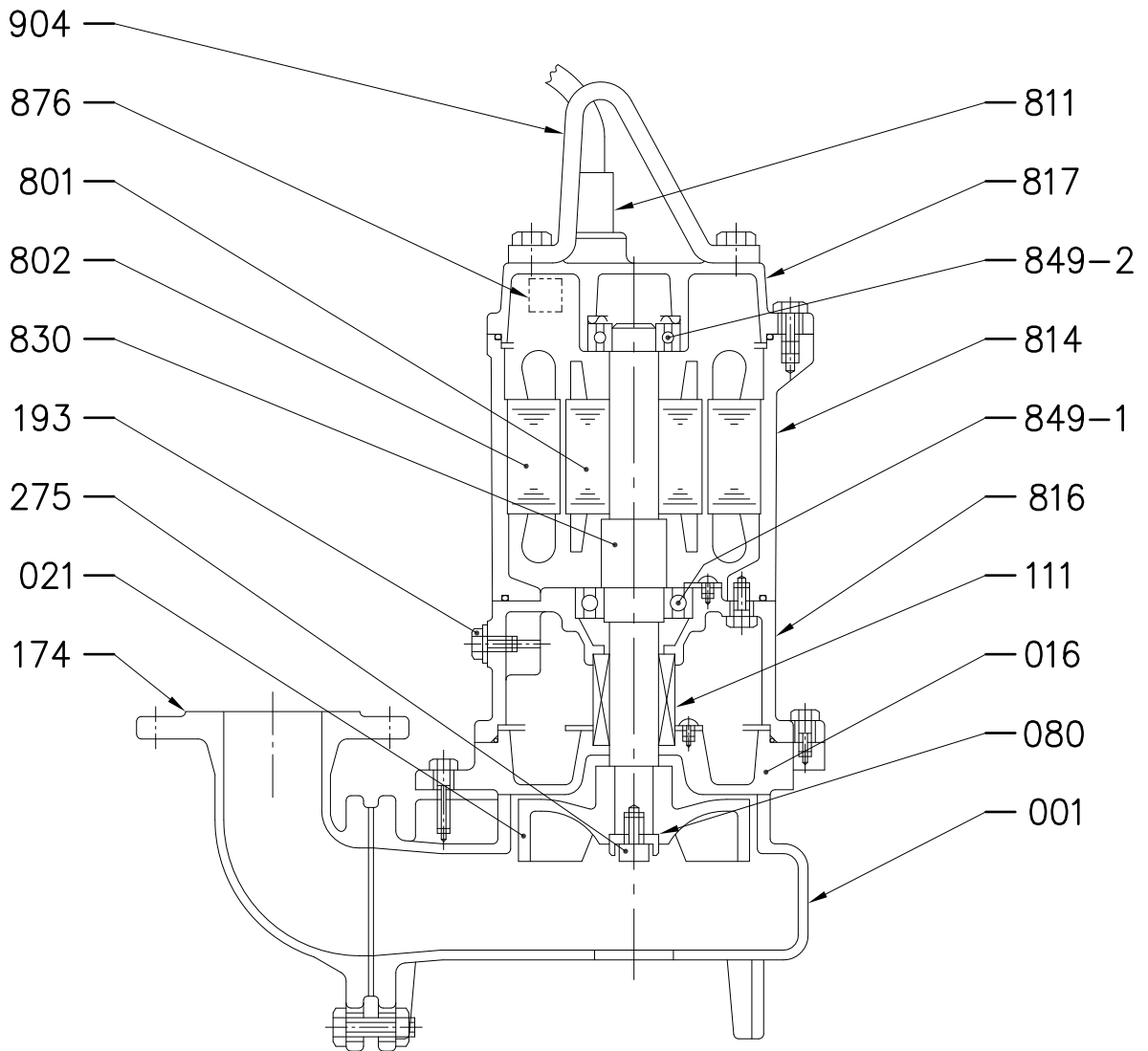
65(80)DVS (1.5kW)



POS.	PART. NAME	MATERIAL	N° FOR UNIT
001	CASING	Cast iron EN-GHJL-200-EN 1561	1
016	MECHANICAL SEAL COVER	Cast iron EN-GHJL-200-EN 1561	1
021	IMPELLER	Cast iron EN-GHJL-200-EN 1561	1
048	IMPELLER NUT	EN 1.4301 (AISI304)	1
111	MECHANICAL SEAL	-	1
174	DISCHARGE BEND	Cast iron EN-GHJL-200-EN 1561	1
193	OIL PLUG	NBR/EN 1.4301 (AISI304)	1
801	ROTOR	-	1
802	STATOR	-	1
811	SUBMERSIBLE CABLE	-	1

POS.	PART. NAME	MATERIAL	N° FOR UNIT
814	MOTOR FRAME	Cast iron EN-GHJL-200-EN 1561	1
816	POWER SIDE BRACKET	Cast iron EN-GHJL-200-EN 1561	1
830	SHAFT	EN 1.4006 (AISI403)	1
842	MOTOR COVER	Cast iron EN-GHJL-200-EN 1561	1
849-1	BALL BEARING	-	1
849-2	BALL BEARING	-	1
876	PROTECTOR	-	1
904	LIFTING HANGER	Stainless Steel	1
908	SPACER	Steel	

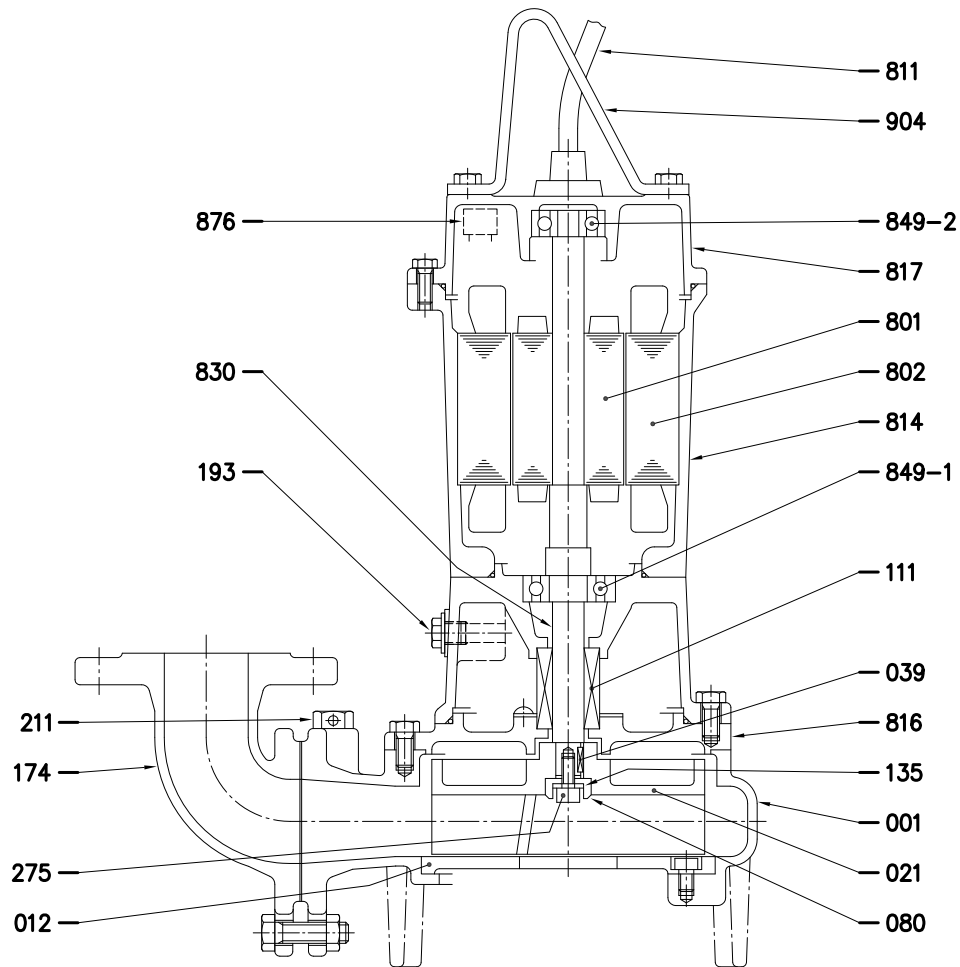
65(80)DVS (2.2÷3.7 kW)



POS.	PART. NAME	MATERIAL	N° FOR UNIT
001	CASING	Cast iron EN-GHJL-200-EN 1561	1
016	MECHANICAL SEAL COVER	Cast iron EN-GHJL-200-EN 1561	1
021	IMPELLER	Cast iron EN-GHJL-200-EN 1561	1
080	BUSHING	EN 1.4301 (AISI304)	1
111	MECHANICAL SEAL	-	1
174	DISCHARGE BEND	Cast iron EN-GHJL-200-EN 1561	1
193	OIL PLUG	NBR/EN 1.4301 (AISI304)	1
275	IMPELLER BOLT	EN 1.4301 (AISI304)	1
801	ROTOR	-	1
802	STATOR	-	1

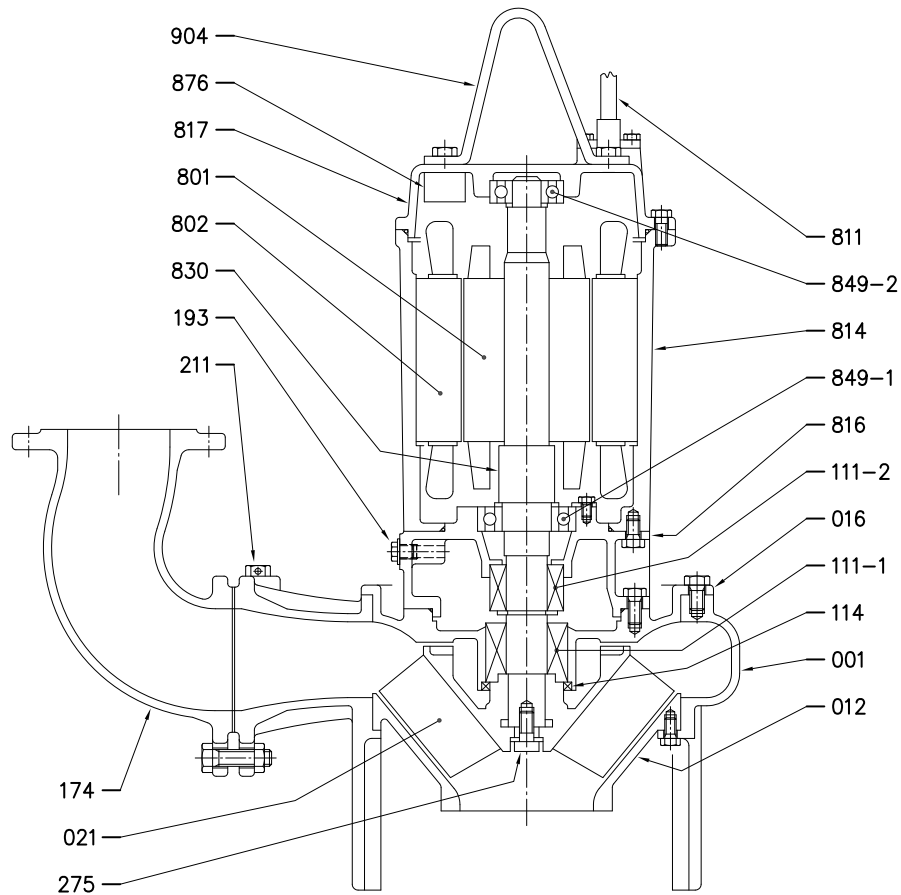
POS.	PART. NAME	MATERIAL	N° FOR UNIT
811	SUBMERSIBLE CABLE	-	1
814	MOTOR FRAME	Cast iron EN-GHJL-200-EN 1561	1
816	POWER SIDE BRACKET	Cast iron EN-GHJL-200-EN 1561	1
817	OPPOSITE SIDE BRACKET	Cast iron EN-GHJL-200-EN 1561	1
830	SHAFT	EN 1.4006 (AISI403)	1
849-1	BALL BEARING	-	1
849-2	BALL BEARING	-	1
876	PROTECTOR	-	1
904	LIFTING HANGER	Stainless Steel	1

65DL, 65DL W/C (1.5 kW)
 80DL, 80DL W/C (1.5÷3.7 kW)
 100DL, 100DL W/C (3.7 kW)



POS.	PART. NAME	MATERIAL	N° FOR UNIT	POS.	PART. NAME	MATERIAL	N° FOR UNIT
001	CASING	Cast iron EN-GHJL-200-EN 1561	1	801	ROTOR	-	1
012	SUCTION COVER	Cast iron EN-GHJL-200-EN 1561	1	802	STATOR	-	1
021	IMPELLER	Cast iron EN-GHJL-200-EN 1561	1	811	SUBMERSIBLE CABLE	-	1
039	KEY	EN 1.4028 (AISI420)	1	814	MOTOR FRAME	Cast iron EN-GHJL-200-EN 1561	1
080	BUSHING	EN 1.4301 (AISI304)	1	816	POWER SIDE BRACKET	Cast iron EN-GHJL-200-EN 1561	1
111	MECHANICAL SEAL	-	1	817	OPPOSITE SIDE BRACKET	Cast iron EN-GHJL-200-EN 1561	1
135	SEAL WASHER	EN 1.4301 (AISI304)	1	830	SHAFT	EN 1.4006 (AISI403)	1
174	DISCHARGE BEND	Cast iron EN-GHJL-200-EN 1561	1	876	PROTECTOR	-	1
193	Oil Plug	NBR/EN 1.4301 (AISI304)	1	849-1	BALL BEARING	-	1
211	AIRVENT VALVE	-	1	849-2	BALL BEARING	-	1
275	IMPELLER BOLT	EN 1.4301 (AISI304)	1	904	LIFTING HANGER	Stainless Steel	1

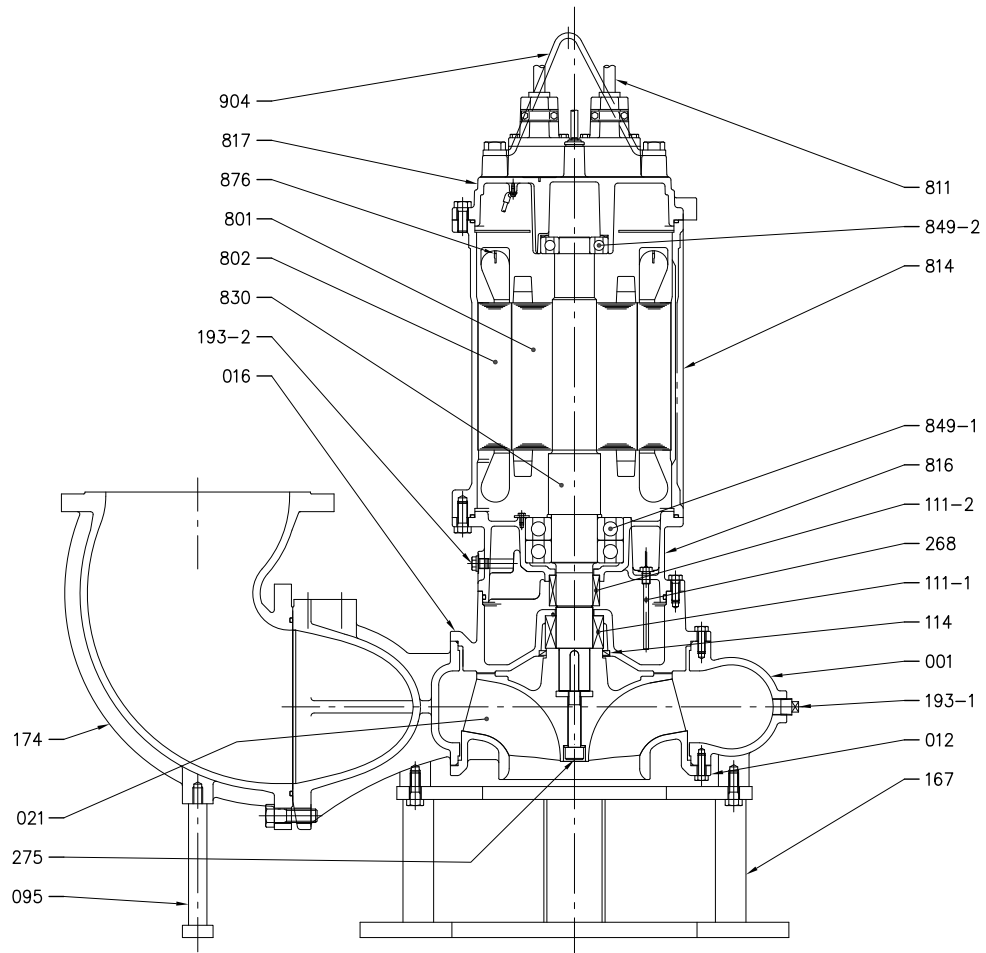
80DL (5.5÷7.5 kW)
100DL (5.5÷18.5 kW), 100DL W/C (5.5÷7.5 kW)
150DL (5.5÷22 kW), 200DL (5.5÷22 kW)
250DL (7.5÷22 kW), 300DL (11÷22 kW)



POS.	PART. NAME	MATERIAL	N° FOR UNIT	POS.	PART. NAME	MATERIAL	N° FOR UNIT
001	CASING	Cast iron EN-GHJL-200-EN 1561	1	801	ROTOR	-	1
012	SUCTION COVER	Cast iron EN-GHJL-200-EN 1561	1	802	STATOR	-	1
016	MECHANICAL SEAL COVER	Cast iron EN-GHJL-200-EN 1561	1	811	SUBMERSIBLE CABLE	-	1
021	IMPELLER	Cast iron EN-GHJL-200-EN 1561	1	814	MOTOR FRAME	Cast iron EN-GHJL-150-EN 1561	1
111-1	MECHANICAL SEAL	-	1	816	POWER SIDE BRACKET	Cast iron EN-GHJL-150-EN 1561	1
111-2	MECHANICAL SEAL	-	1	817	OPPOSITE SIDE BRACKET	Cast iron EN-GHJL-150-EN 1561	1
114	OIL SEAL	NBR	1	830	SHAFT	EN 1.4006 (AISI403)	1
174	DISCHARGE BEND	Cast iron EN-GHJL-200-EN 1561	1	849-1	BALL BEARING	-	1
193	OIL PLUG	NBR/EN 1.4301 (AISI304)	1	849-2	BALL BEARING	-	1
211	AIRVENT VALVE [1]	-	1	876	PROTECTOR	-	1
275	IMPELLER BOLT	EN 1.4301 (AISI304)	1	904	LIFTING HANGER	Stainless Steel	1

[1] Not for 250DL and 300DL

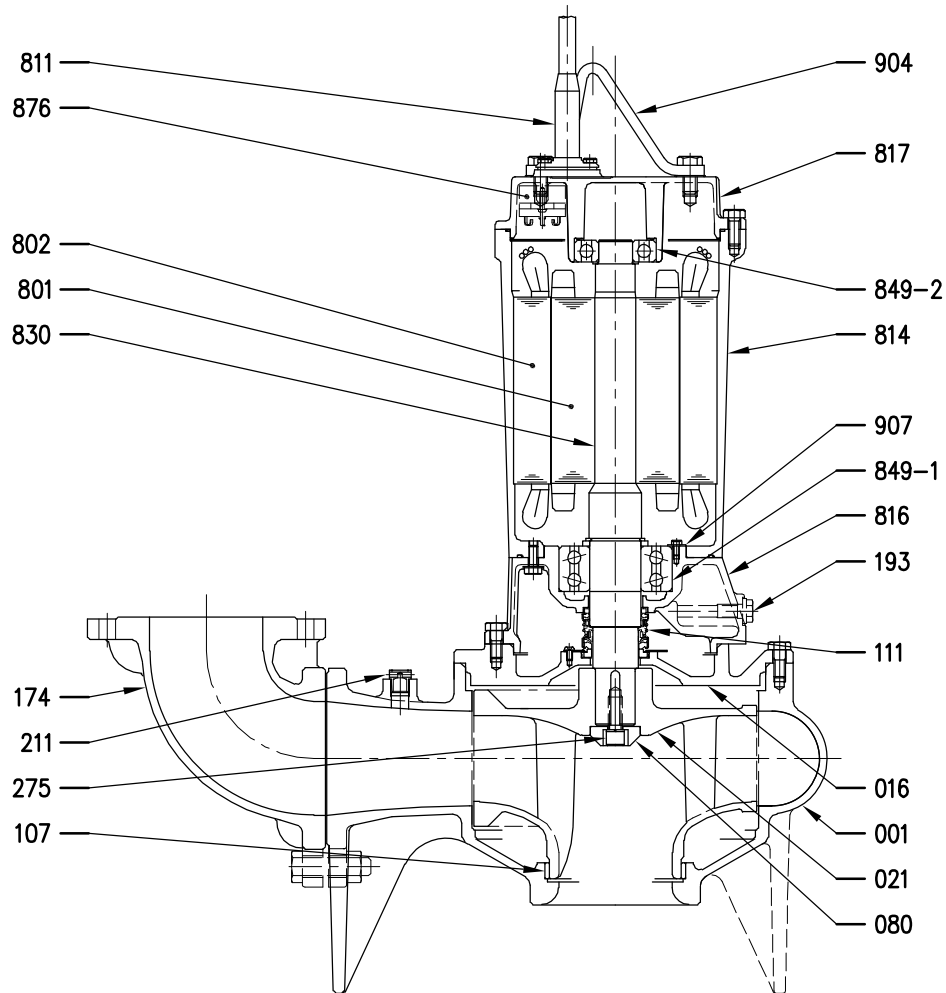
150DL (30÷45 kW), 200DL (30÷45 kW)
250DL (30÷45 kW), 300 DL(30÷45 kW)



POS.	PART. NAME	MATERIAL	N° FOR UNIT	POS.	PART. NAME	MATERIAL	N° FOR UNIT
001	CASING	Cast iron EN-GHJL-200-EN 1561	1	275	IMPELLER BOLT	EN 1.4301 (AISI304)	1
012	SUCTION COVER	Cast iron EN-GHJL-200-EN 1561	1	801	ROTOR	-	1
016	MECHANICAL SEAL COVER	Cast iron EN-GHJL-200-EN 1561	1	802	STATOR	-	1
021	IMPELLER	Cast iron EN-GHJL-200-EN 1561	1	811	SUBMERSIBLE CABLE	-	1
095	STAY [1]	EN 1.4301 (AISI304)		814	MOTOR FRAME	Cast iron EN-GHJL-150-EN 1561	1
111-1	MECHANICAL SEAL	-	1	816	POWER SIDE BRACKET	Cast iron EN-GHJL-150-EN 1561	1
111-2	MECHANICAL SEAL	-	1	817	OPPOSITE SIDE BRACKET	Cast iron EN-GHJL-150-EN 1561	1
114	OIL SEAL	NBR	1	830	SHAFT	EN 1.4006 (AISI403)	1
174	DISCHARGE BEND	Cast iron EN-GHJL-200-EN 1561	1	849-1	BALL BEARING	-	1
193-2	OIL PLUG + GASKET	NBR/EN 1.4301 (AISI304)	1	849-2	BALL BEARING	-	1
193-2	PLUG	EN 1.4301 (AISI304)	1	876	PROTECTOR	-	1
211	AIRVENT VALVE [2]	-	1	904	LIFTING HANGER	Stainless Steel	1

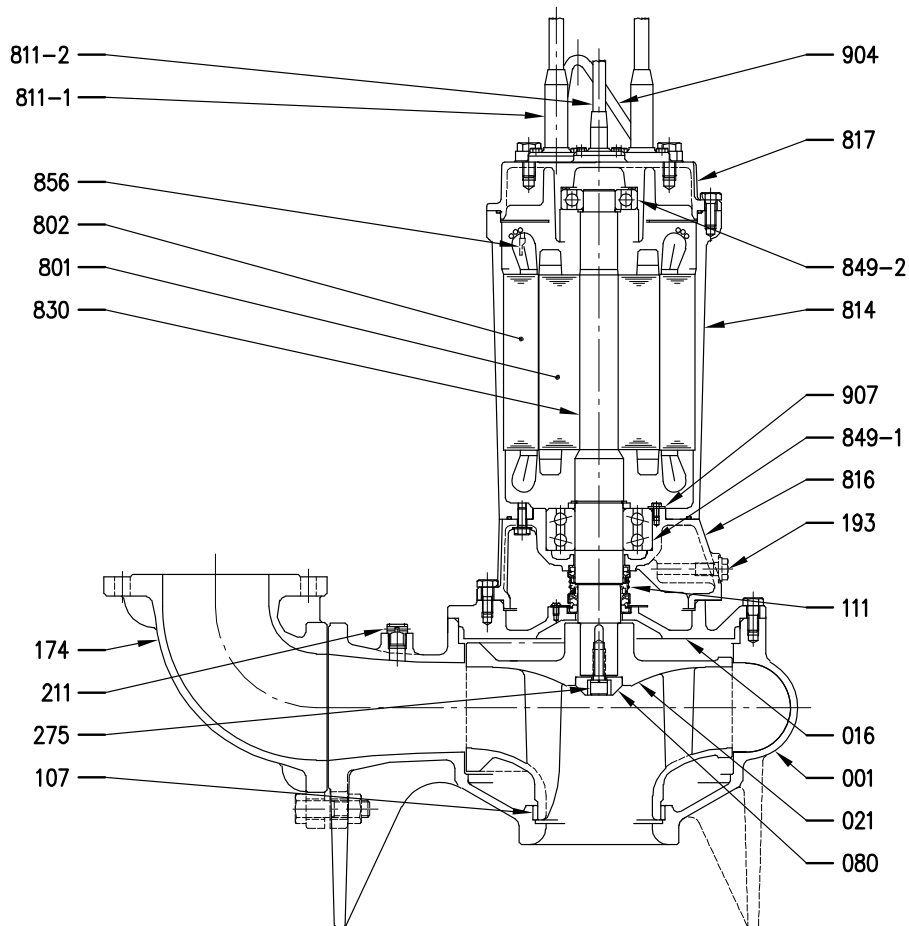
[1] Not for 150DL and 200DL
[2] Not for 250DL and 300DL

80DML (2.2 kW)



N°	PART.NAME	MATERIAL	Q.TY	N°	PART.NAME	MATERIAL	Q.TY
001	Pump Casing	Cast iron EN-GHJL-200 - EN 1561	1	802	Stator	-	1
016	Mechanical Seal Cover	Cast iron EN-GHJL-200 - EN 1561	1	811	Submersible Cable	-	2
021	Impeller	Cast iron EN-GHJL-200 - EN 1561	1	814	Motor Frame	Cast iron EN-GHJL-200 - EN 1561	1
080	Bushing	Steel	1	816	Power Side Bracket	Cast iron EN-GHJL-200 - EN 1561	1
107	Wearing ring	Bronze	1	817	Opposite Side Bracket	Cast iron EN-GHJL-200 - EN 1561	1
111	Mechanical seal	-	1	830	Shaft	EN 1.4006 (AISI403)	1
174	Discharge Bend	Cast iron EN-GHJL-200 - EN 1561	1	849-1	Ball Bearing	-	1
193	Oil Plug	NBR/Stainless Steel	1 set	849-2	Ball Bearing	-	1
211	Airvent Valve	Brass	1	876	Auto Cut	-	3
275	Impeller Bolt	Stainless steel A2-70 class ISO 3506/1	1	904	Lifting Hanger	Steel	1
801	Rotor	-	1	907	Bearing Cover	Steel	1

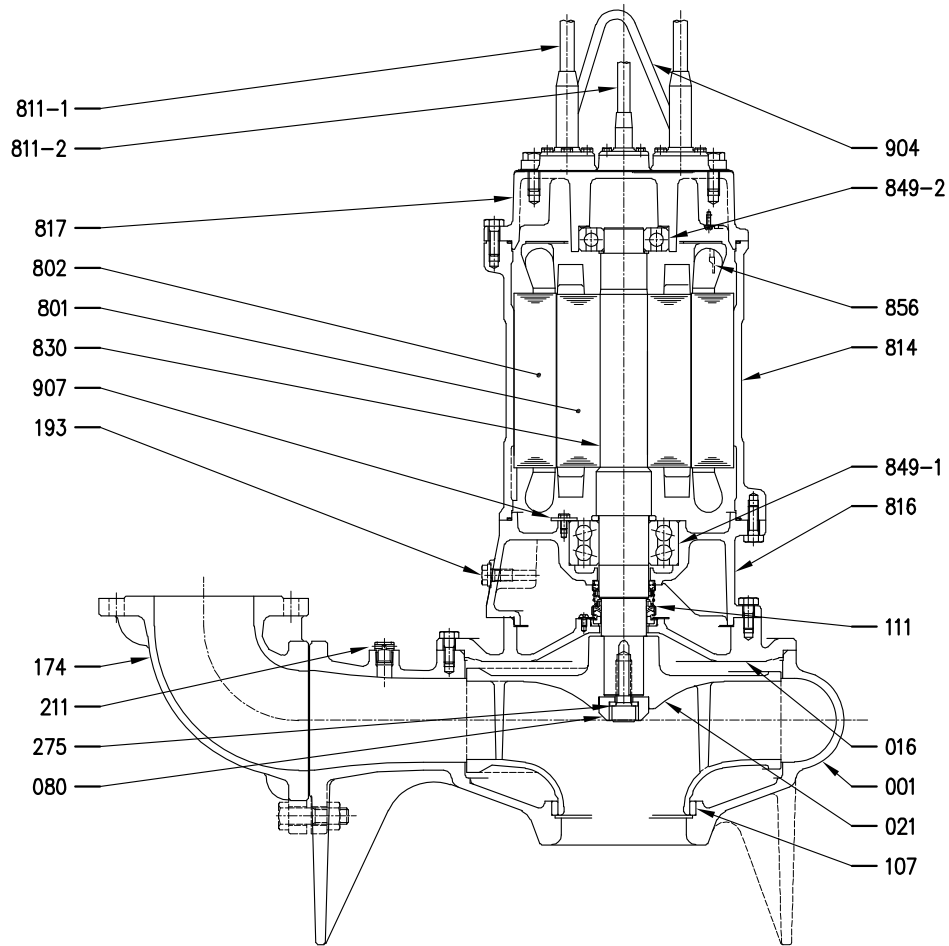
80DML (3.7 kW)
100DML (3.7÷7.5 kW)
150DML (5.5÷7.5 kW)



N°	PART.NAME	MATERIAL	Q.TY
001	Pump Casing	Cast iron EN-GHJL-200 - EN 1561	1
016	Mechanical Seal Cover	Cast iron EN-GHJL-200 - EN 1561	1
021	Impeller	Cast iron EN-GHJL-200 - EN 1561	1
080	Bushing	Steel	1
107	Wearing ring	Bronze	1
111	Mechanical seal	-	1
174	Discharge Bend	Cast iron EN-GHJL-200 - EN 1561	1
193	Oil Plug	NBR/Stainless Steel	1 set
211	Airvent Valve	Brass	1
275	Impeller Bolt	Stainless steel A2-70 class ISO 3506/1	1
801	Rotor	-	1
802	Stator	-	1

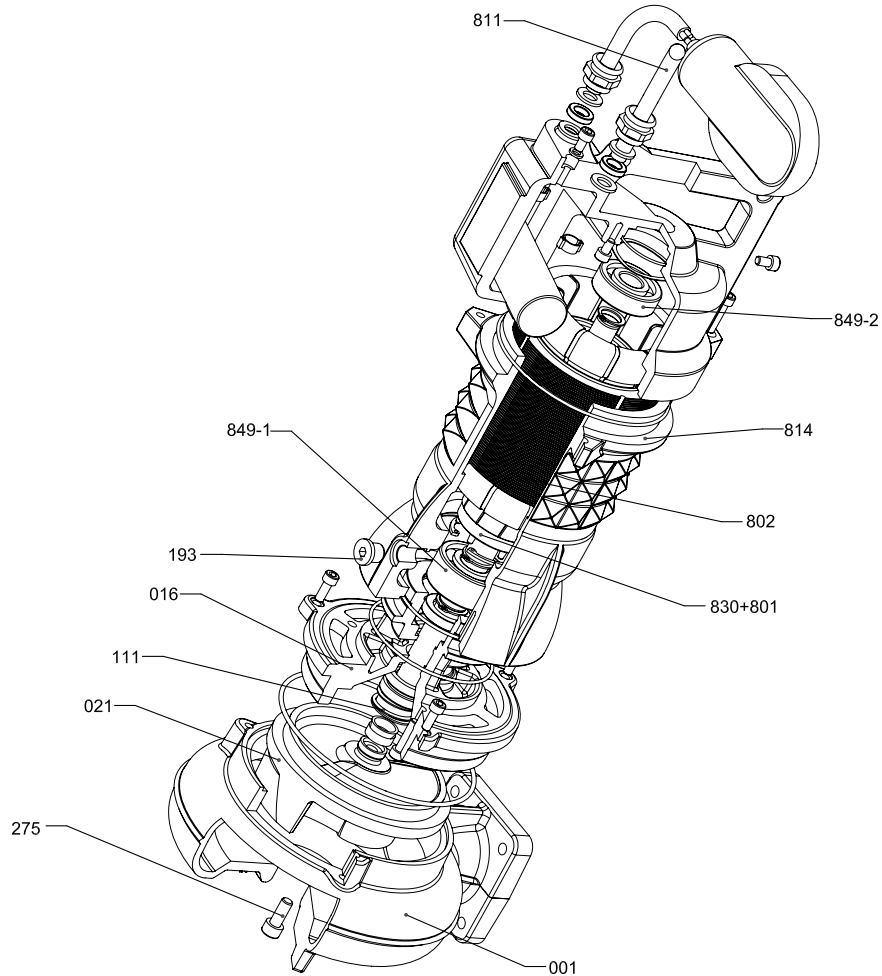
N°	PART.NAME	MATERIAL	Q.TY
811-1	Submersible Cable (power)	-	2
811-2	Submersible Cable (signal)	-	1
814	Motor Frame	Cast iron EN-GHJL-200 - EN 1561	1
816	Power Side Bracket	Cast iron EN-GHJL-200 - EN 1561	1
817	Opposite Side Bracket	Cast iron EN-GHJL-200 - EN 1561	1
830	Shaft	EN 1.4006 (AISI403)	1
849-1	Ball Bearing	-	1
849-2	Ball Bearing	-	1
856	Thermal Protector	-	3
904	Lifting Hanger	Steel	1
907	Bearing Cover	Steel	1

**100DML (11÷22 kW)
150DML (11÷22 kW)**



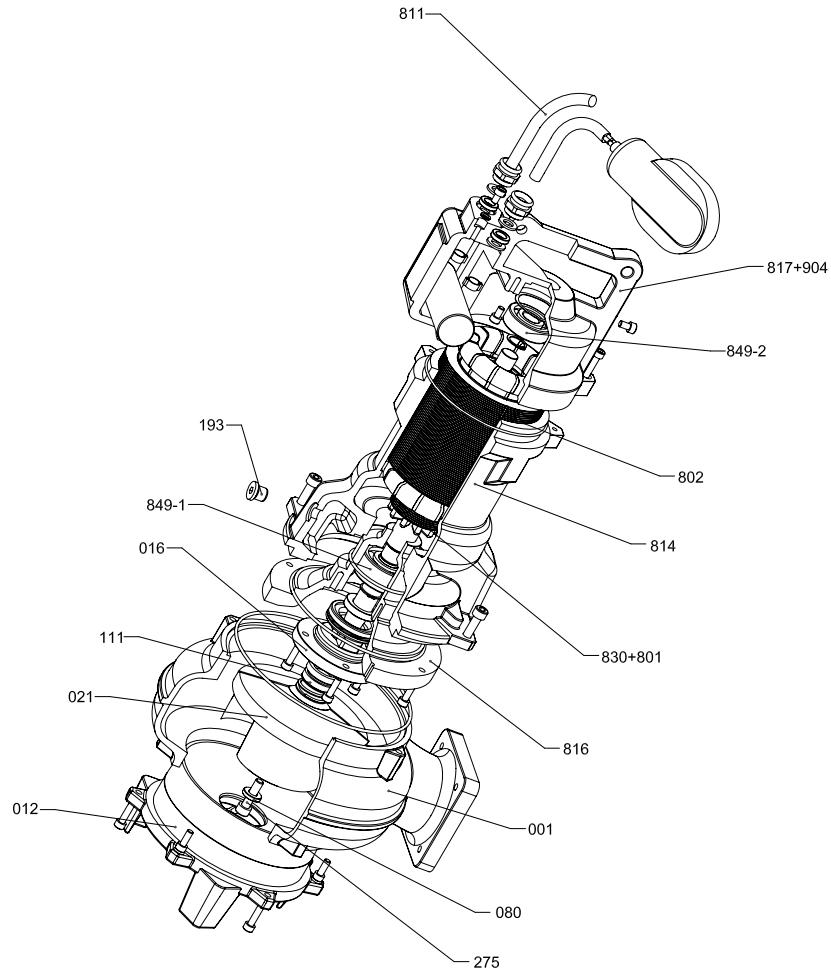
N°	PART.NAME	MATERIAL	Q.TY	N°	PART.NAME	MATERIAL	Q.TY
001	Pump Casing	Cast iron EN-GHJL-200 - EN 1561	1	811-1	Submersible Cable (power)	-	2
016	Mechanical Seal Cover	Cast iron EN-GHJL-200 - EN 1561	1	811-2	Submersible Cable (signal)	-	1
021	Impeller	Cast iron EN-GHJL-200 - EN 1561	1	814	Motor Frame	Cast iron EN-GHJL-200 - EN 1561	1
080	Bushing	Steel	1	816	Power Side Bracket	Cast iron EN-GHJL-200 - EN 1561	1
107	Wearing ring	Bronze	1	817	Opposite Side Bracket	Cast iron EN-GHJL-200 - EN 1561	1
111	Mechanical seal	-	1	830	Shaft	EN 1.4006 (AISI403)	1
174	Discharge Bend	Cast iron EN-GHJL-200 - EN 1561	1	849-1	Ball Bearing	-	1
193	Oil Plug	NBR/Stainless Steel	1 set	849-2	Ball Bearing	-	1
211	Airvent Valve	Brass	1	856	Thermal Protector	-	3
275	Impeller Bolt	Stainless steel A2-70 class ISO 3506/1	1	904	Lifting Hanger	Steel	1
801	Rotor	-	1	907	Bearing Cover	Steel	1
802	Stator	-	1				

50 DMLF (1.4 kW)



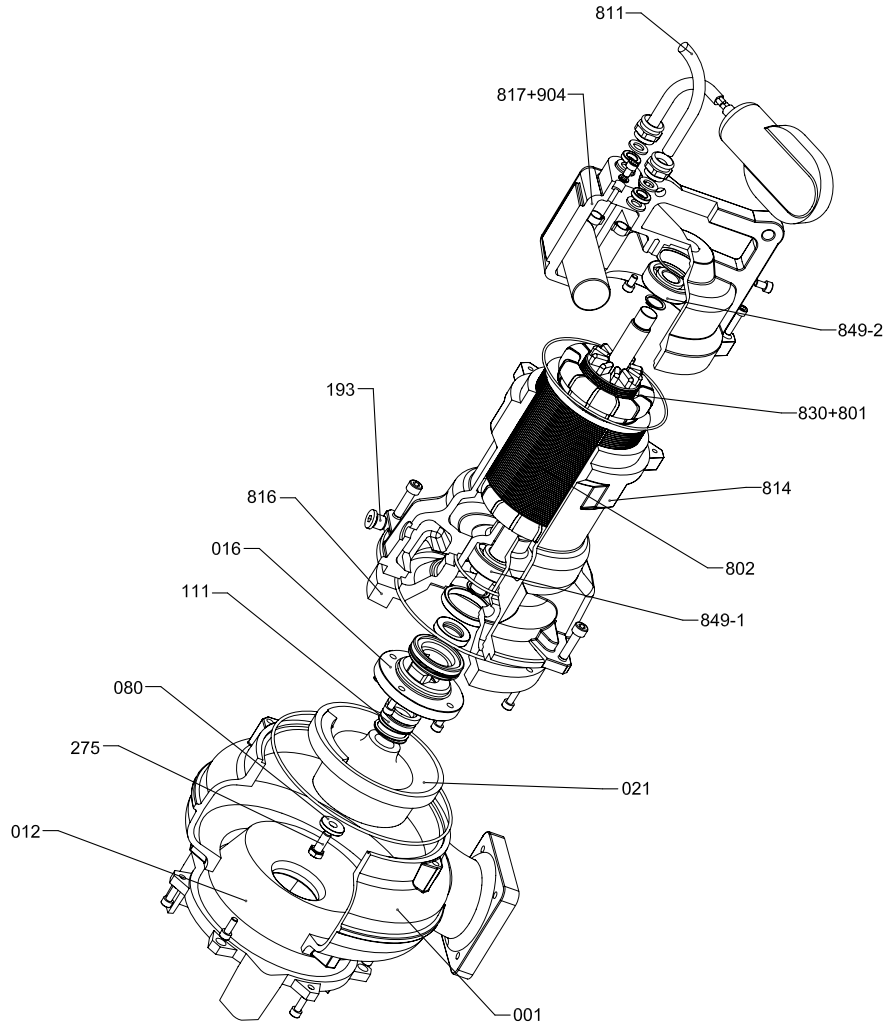
N°	PART NAME	MATERIAL	Q.TY
001	CASING	CAST IRON EN-GJL-250	1
016	MECHANICAL SEAL COVER	CAST IRON EN-GJL-250	1
021	IMPELLER	CAST IRON EN-GJL-250+Ni	1
111	MECHANICAL SEAL	-	1
193	OIL PLUG	NBR / STAINLESS STEEL	1
275	IMPELLER BOLT	CLASS A2 AISI 304	1
801	ROTOR	-	1
802	STATOR	-	1
811	SUBMERSIBLE CABLE	-	1
814	MOTOR FRAME	CAST IRON EN-GJL-250	1
830	SHAFT	AISI 420B	1
849-1	BALL BEARING	-	1
849-2	BALL BEARING	-	1
904	LIFTING HANGLE	CAST IRON EN-GJL-250	1

65 DMLF (1.5 kW)



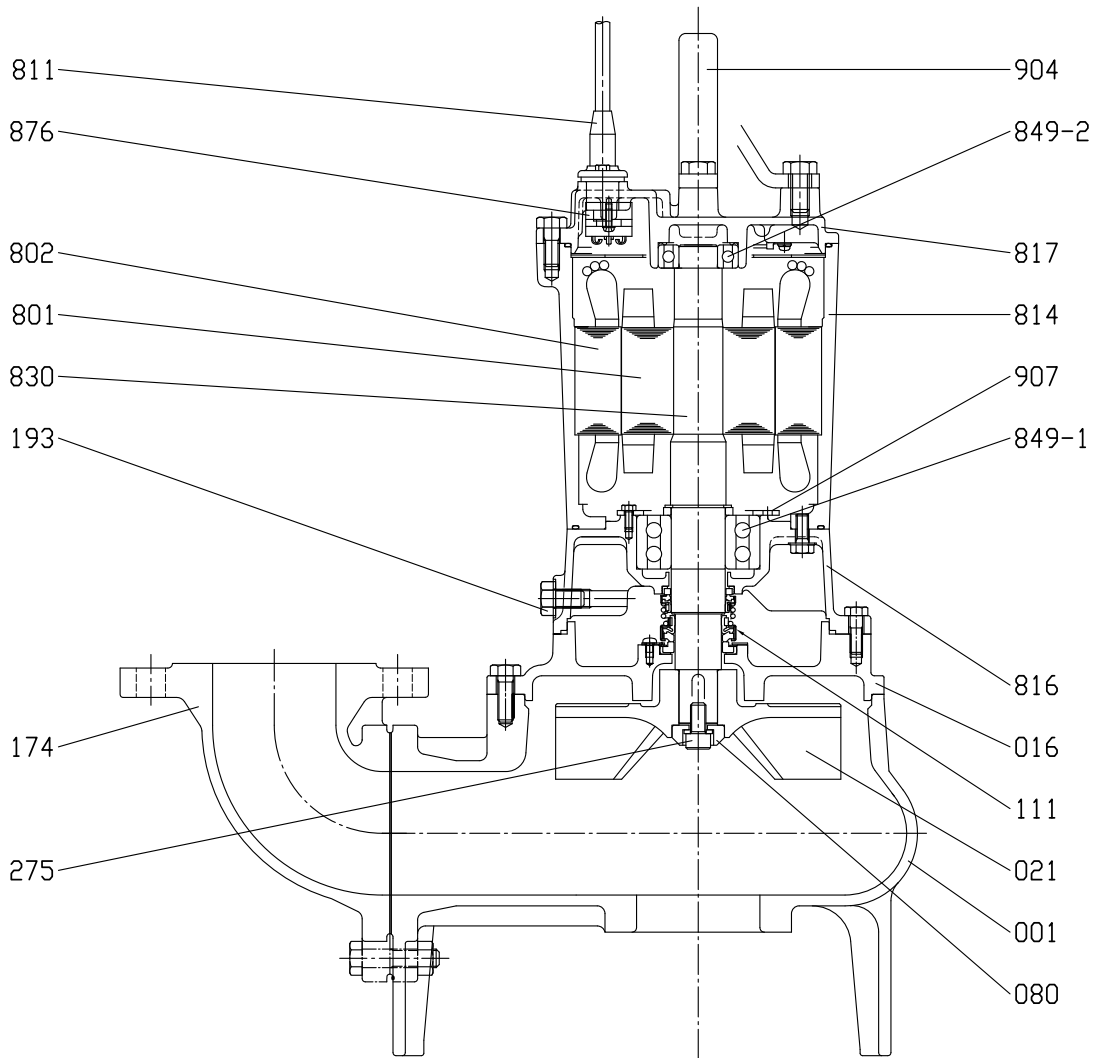
N°	PART NAME	MATERIAL	Q.TY
001	CASING	CAST IRON EN-GJL-250	1
012	SUCTION COVER	CAST IRON EN-GJL-250	1
016	MECHANICAL SEAL COVER	CAST IRON EN-GJL-250	1
021	IMPELLER	CAST IRON EN-GJL-250+Ni	1
080	BUSHING	STEEL	1
111	MECHANICAL SEAL	-	1
193	OIL PLUG	NBR / STAINLESS STEEL	1
275	IMPELLER BOLT	CLASS A2 AISI 304	1
801	ROTOR	-	1
802	STATOR	-	1
811	SUBMERSIBLE CABLE	-	1
814	MOTOR FRAME	CAST IRON EN-GJL-250	1
816	POWER SIDE BRACKET	CAST IRON EN-GJL-250	1
817	OPPOSITE SIDE BRACKET	CAST IRON EN-GJL-250	1
830	SHAFT	AISI 420B	1
849-1	BALL BEARING	-	1
849-2	BALL BEARING	-	1
904	LIFTING HANGLE	CAST IRON EN-GJL-250	1

65 DMLF (1.9 Kw)



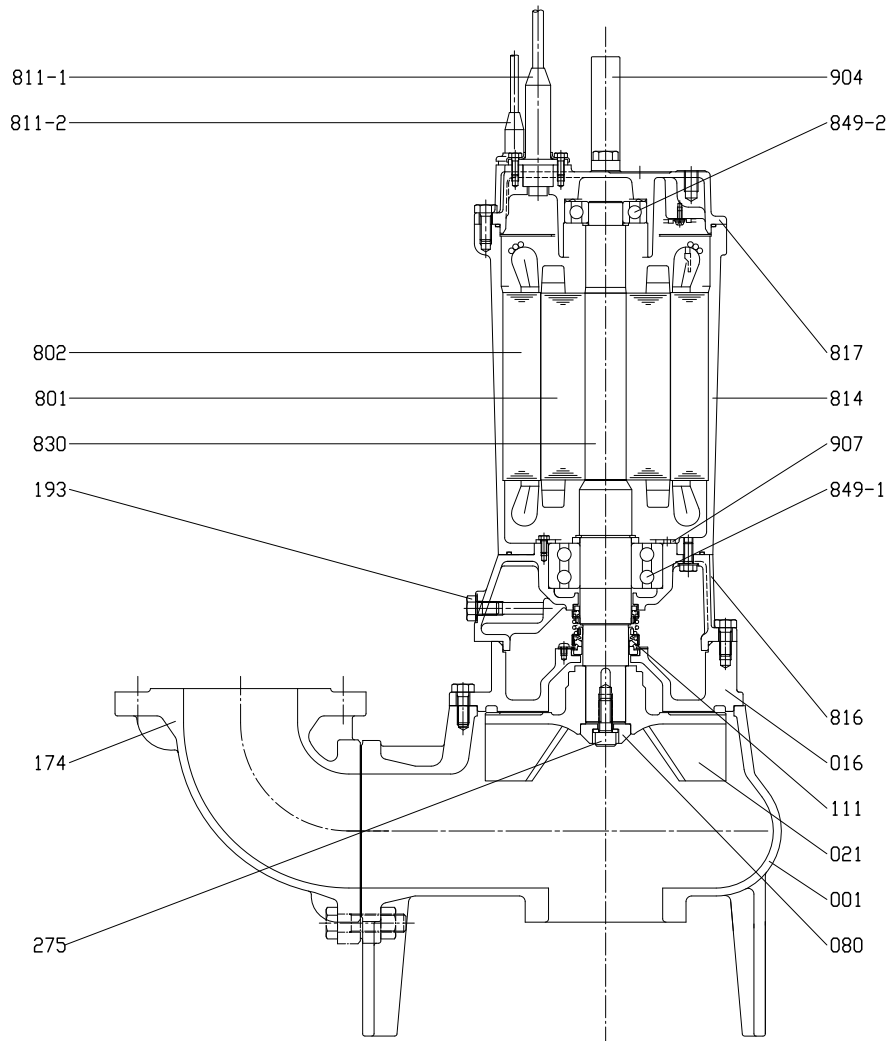
N°	PART NAME	MATERIAL	Q.TY
001	CASING	CAST IRON EN-GJL-250	1
012	SUCTION COVER	CAST IRON EN-GJL-250	1
016	MECHANICAL SEAL COVER	CAST IRON EN-GJL-250	1
021	IMPELLER	CAST IRON EN-GJL-250+Ni	1
080	BUSHING	STEEL	1
111	MECHANICAL SEAL	-	1
193	OIL PLUG	NBR / STAINLESS STEEL	1
275	IMPELLER BOLT	CLASS A2 AISI 304	1
801	ROTOR	-	1
802	STATOR	-	1
811	SUBMERSIBLE CABLE	-	1
814	MOTOR FRAME	CAST IRON EN-GJL-250	1
816	POWER SIDE BRACKET	CAST IRON EN-GJL-250	1
817	OPPOSITE SIDE BRACKER	CAST IRON EN-GJL-250	1
830	SHAFT	AISI 420B	1
849-1	BALL BEARING	-	1
849-2	BALL BEARING	-	1
904	LIFTING HANGLE	CAST IRON EN-GJL-250	1

80DMLV (2.2 kW)



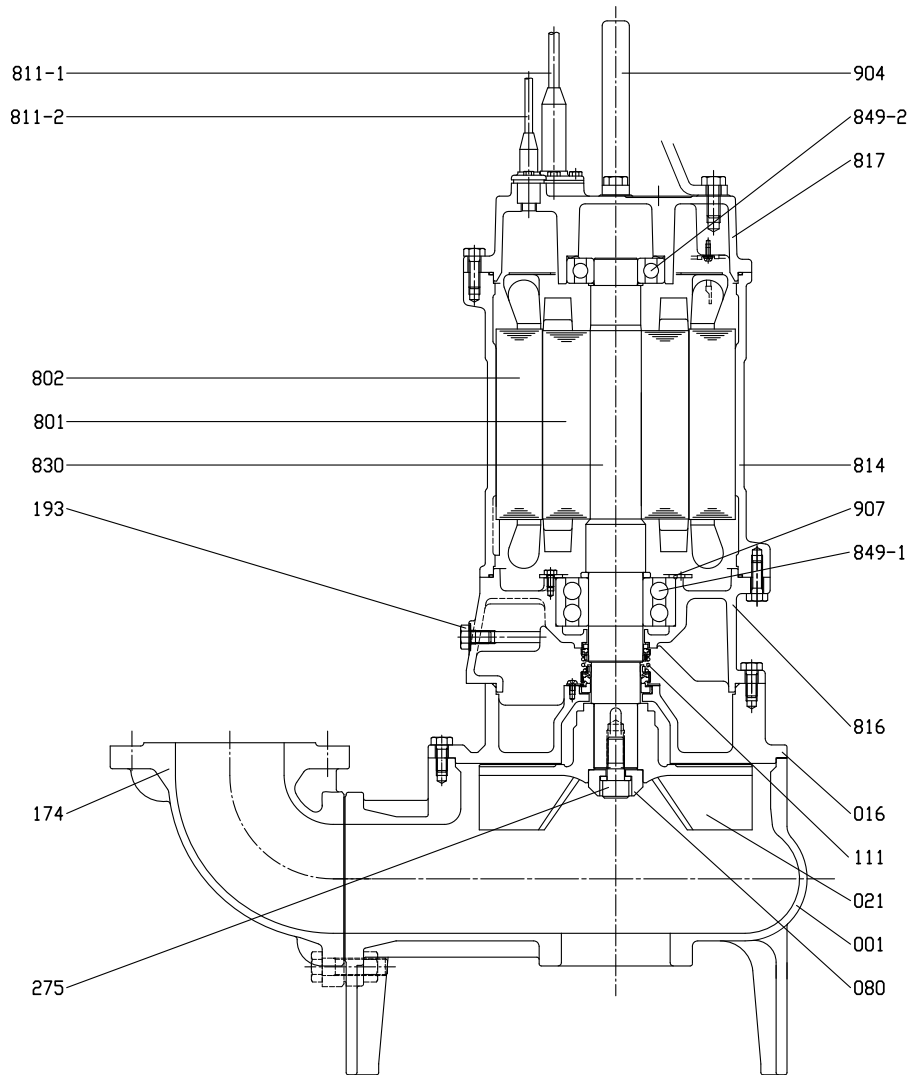
N°	PART.NAME	MATERIAL	Q.TY	N°	PART.NAME	MATERIAL	Q.TY
001	Pump Casing	Cast iron EN-GHJL-200 - EN 1561	1	811	Submersible Cable	-	2
016	Mechanical Seal Cover	Cast iron EN-GHJL-200 - EN 1561	1	814	Motor Frame	Cast iron EN-GHJL-200 - EN 1561	1
021	Impeller	Cast iron EN-GHJL-200 - EN 1561	1	816	Power Side Bracket	Cast iron EN-GHJL-200 - EN 1561	1
080	Bushing	Steel	1	817	Opposite Side Bracket	Cast iron EN-GHJL-200 - EN 1561	1
111	Mechanical seal	-	1	830	Shaft	EN 1.4006 (AISI403)	1
174	Discharge Bend	Cast iron EN-GHJL-200 - EN 1561	1	849-1	Ball Bearing	-	1
193	Oil Plug	NBR/Stainless Steel	1 set	849-2	Ball Bearing	-	1
275	Impeller screw	Stainless steel A2-70 class ISO 3506/1	1	876	Auto Cut	-	1
801	Rotor	-	1	904	Lifting Hanger	Steel	1
802	Stator	-	1	907	Bearing Cover	Steel	1

**80DMLV (3.7 kW)
100DMLV (3.7÷5.5 kW)**



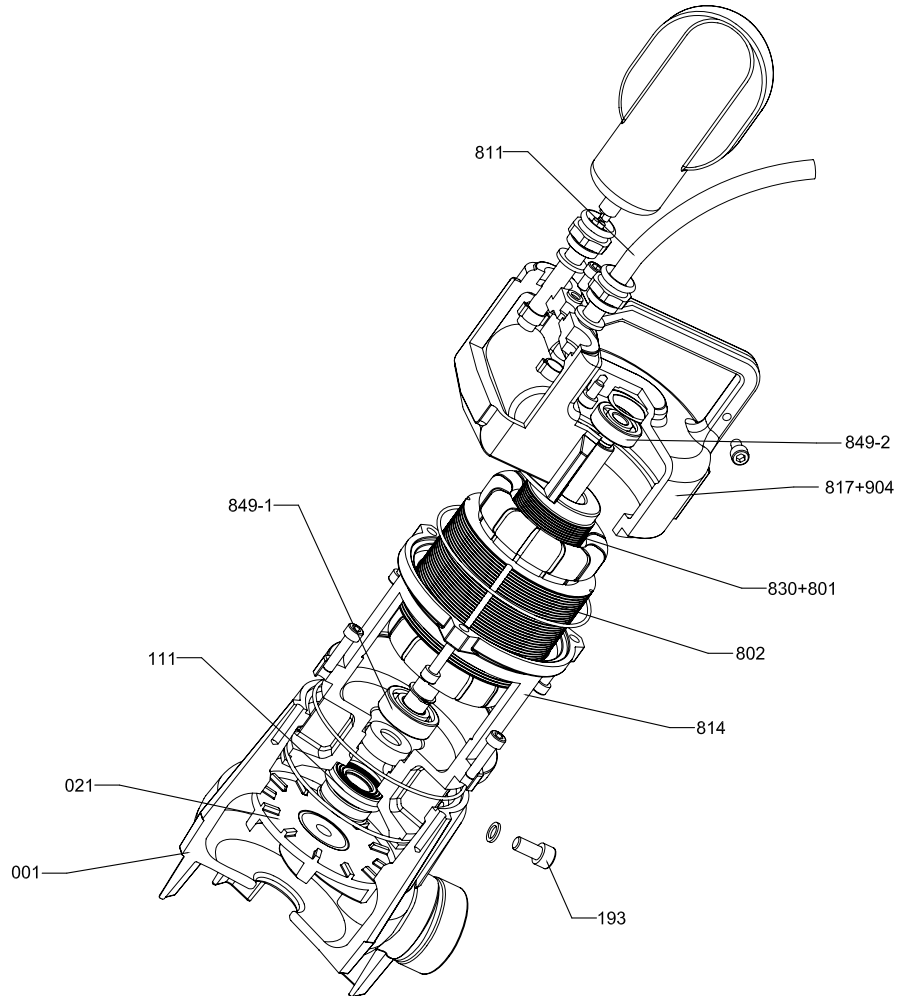
N°	PART.NAME	MATERIAL	Q.TY	N°	PART.NAME	MATERIAL	Q.TY
001	Pump Casing	Cast iron EN-GHJL-200 - EN 1561	1	811-1	Submersible Cable (power)	-	2
016	Mechanical Seal Cover	Cast iron EN-GHJL-200 - EN 1561	1	811-2	Submersible Cable (signal)	-	1
021	Impeller	Cast iron EN-GHJL-200 - EN 1561	1	814	Motor Frame	Cast iron EN-GHJL-200 - EN 1561	1
080	Bushing	Steel	1	816	Power Side Bracket	Cast iron EN-GHJL-200 - EN 1561	1
111	Mechanical seal	-	1	817	Opposite Side Bracket	Cast iron EN-GHJL-200 - EN 1561	1
174	Discharge Bend	Cast iron EN-GHJL-200 - EN 1561	1	830	Shaft	EN 1.4006 (AISI403)	1
193	Oil Plug	NBR/Stainless Steel	1 set	849-1	Ball Bearing	-	1
275	Impeller screw	Stainless steel A2-70 class ISO 3506/1	1	849-2	Ball Bearing	-	1
801	Rotor	-	1	904	Lifting Hanger	Steel	1
802	Stator	-	1	907	Bearing Cover	Steel	1

100DMLV (11÷22 kW)



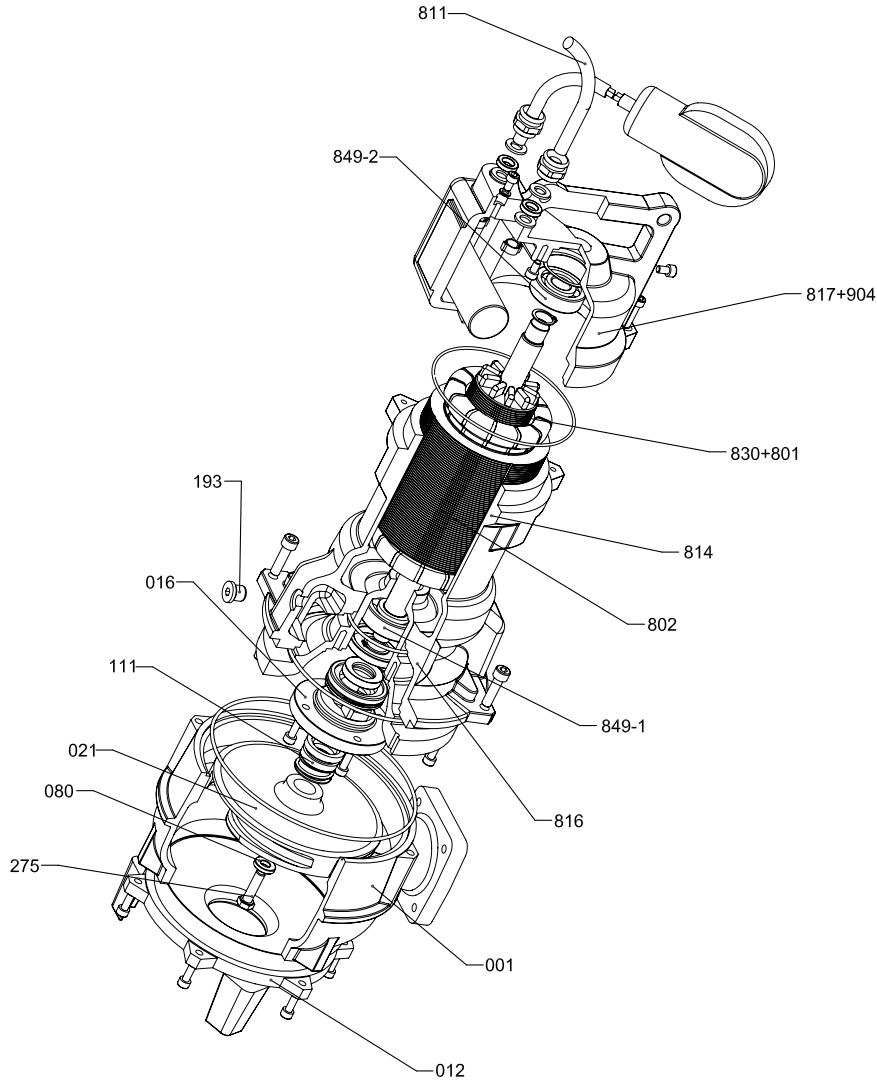
N°	PART.NAME	MATERIAL	Q.TY	N°	PART.NAME	MATERIAL	Q.TY
001	Pump Casing	Cast iron EN-GHJL-200 - EN 1561	1	811-1	Submersible Cable (power)	-	2
016	Mechanical Seal Cover	Cast iron EN-GHJL-200 - EN 1561	1	811-2	Submersible Cable (signal)	-	1
021	Impeller	EN-GHJL-200-EN 1561 (11 kW) EN-GJS-400 -EN 1563 (15-22 kW)	1	814	Motor Frame	Cast iron EN-GHJL-200 - EN 1561	1
080	Bushing	Steel	1	816	Power Side Bracket	Cast iron EN-GHJL-200 - EN 1561	1
111	Mechanical seal	-	1	817	Opposite Side Bracket	Cast iron EN-GHJL-200 - EN 1561	1
174	Discharge Bend	Cast iron EN-GHJL-200 - EN 1561	1	830	Shaft	EN 1.4006 (AISI403)	1
193	Oil Plug	NBR/Stainless Steel	1 set	849-1	Ball Bearing	-	1
275	Impeller screw	Stainless steel A2-70 class ISO 3506/1	1	849-2	Ball Bearing	-	1
801	Rotor	-	1	904	Lifting Hanger	Steel	1
802	Stator	-	1	907	Bearing Cover	Steel	1

40 DMLVF (0.5 kW)



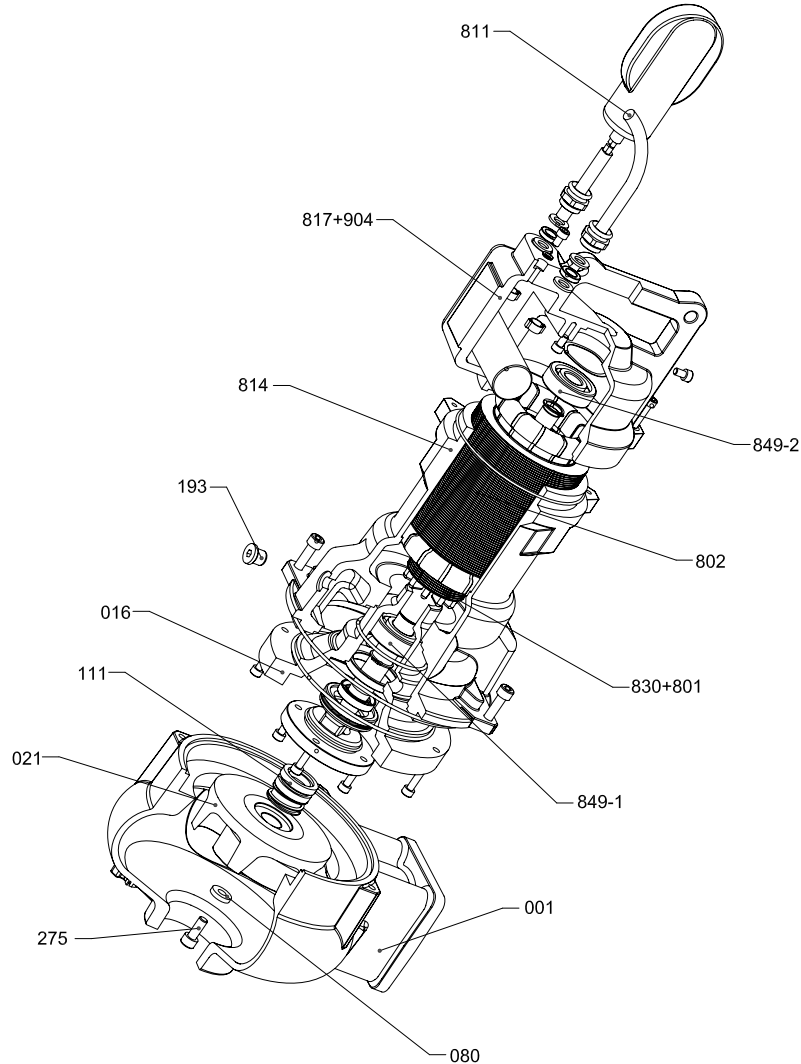
N°	PART NAME	MATERIAL	Q.TY
001	CASING	CAST IRON EN-GJL-250	1
021	IMPELLER	CAST IRON EN-GJL-250+Ni	1
111	MECHANICAL SEAL	-	1
193	OIL PLUG	NBR / STAINLESS STEEL	1
801	ROTOR	-	1
802	STATOR	-	1
811	SUBMERSIBLE CABLE	-	1
814	MOTOR FRAME	CAST IRON EN-GJL-250	1
817	OPPOSITE SIDE BRACKET	CAST IRON EN-GJL-250	1
830	SHAFT	AISI 420B	1
849-1	BALL BEARING	-	1
849-2	BALL BEARING	-	1
904	LIFTING HANGER	CAST IRON EN-GJL-250	1

50 DMLVF (1.5÷1.9 kW)



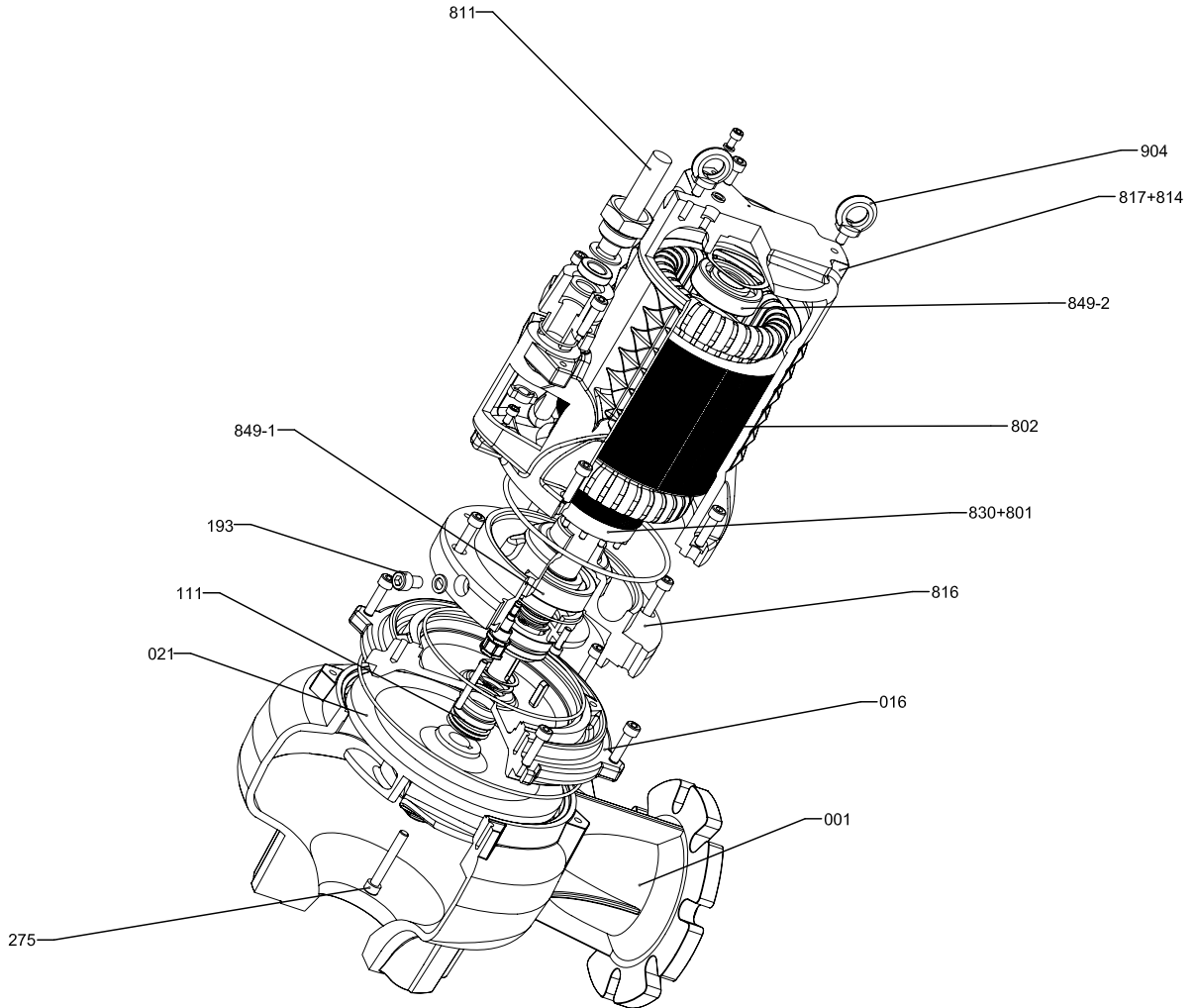
N°	PART NAME	MATERIAL	Q.TY
001	CASING	CAST IRON EN-GJL-250	1
012	SUCTION COVER	CAST IRON EN-GJL-250	1
016	MECHANICAL SEAL COVER	CAST IRON EN-GJL-250	1
021	IMPELLER	CAST IRON EN-GJL-250+Ni	1
080	BUSHING	STEEL	1
111	MECHANICAL SEAL	-	1
193	OIL PLUG	NBR / STAINLESS STEEL	1
275	IMPELLER BOLT	CLASS A2 AISI 304	1
801	ROTOR	-	1
802	STATOR	-	1
811	SUBMERSIBLE CABLE	-	1
814	MOTOR FRAME	CAST IRON EN-GJL-250	1
816	POWER SIDE BRACKET	CAST IRON EN-GJL-250	1
817	OPPOSITE SIDE BRACKET	CAST IRON EN-GJL-250	1
830	SHAFT	AISI 420B	1
849-1	BALL BEARING	-	1
849-2	BALL BEARING	-	1
904	LIFTING HANDLE	CAST IRON EN-GJL-250	1

65 DMLVF (1.5 kW)



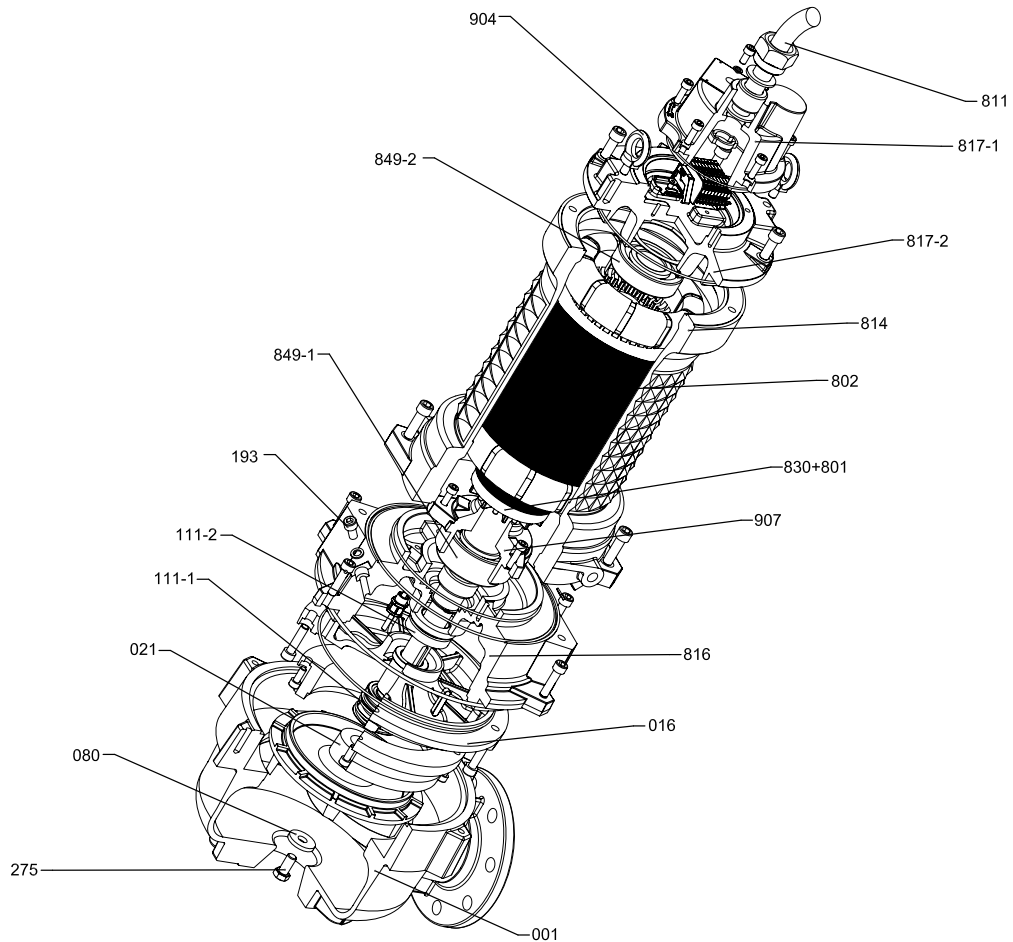
N°	PART NAME	MATERIAL	Q.TY
001	CASING	CAST IRON EN-GJL-250	1
021	IMPELLER	CAST IRON EN-GJL-250+Ni	1
016	MECHANICAL SEAL COVER	CAST IRON EN-GJL-250	1
080	BUSHING	STEEL	1
111	MECHANICAL SEAL	-	1
193	OIL PLUG	NBR / STAINLESS STEEL	1
275	IMPELLER BOLT	CLASS A2 AISI 304	1
801	ROTOR	-	1
802	STATOR	-	1
811	SUBMERSIBLE CABLE	-	1
814	MOTOR FRAME	CAST IRON EN-GJL-250	1
817	OPPOSITE SIDE BRACKET	CAST IRON EN-GJL-250	1
830	SHAFT	AISI 420B	1
849-1	BALL BEARING	-	1
849-2	BALL BEARING	-	1
904	LIFTING HANGER	CAST IRON EN-GJL-250	1

80 DMLVF (4.9 kW)



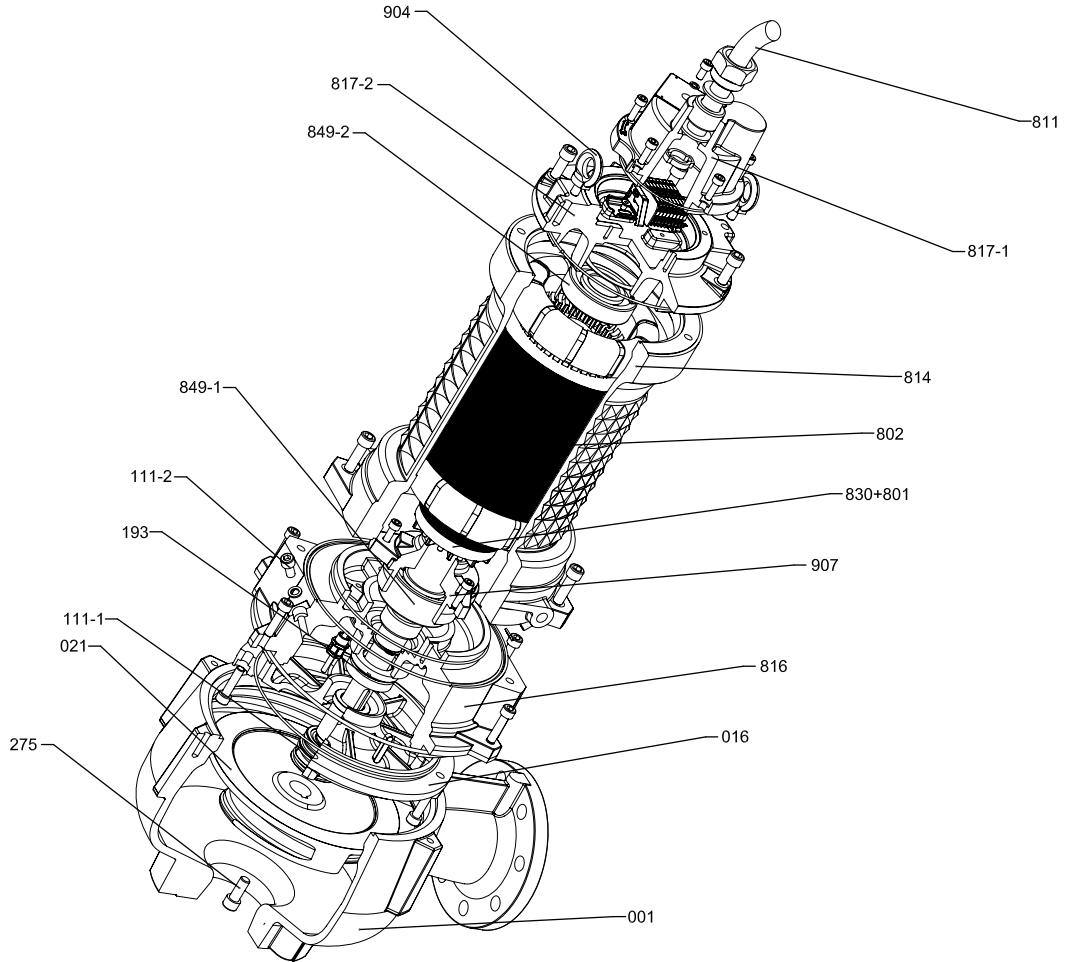
N°	PART NAME	MATERIAL	Q.TY
001	CASING	CAST IRON EN-GJL-250	1
016	MECHANICAL SEAL COVER	CAST IRON EN-GJL-250	1
021	IMPELLER	CAST IRON EN-GJL-250+Ni	1
111	MECHANICAL SEAL	-	1
193	OIL PLUG	NBR / STAINLESS STEEL	1
275	IMPELLER BOLT	CLASS A2 AISI 304	1
801	ROTOR	-	1
802	STATOR	-	1
811	SUBMERSIBLE CABLE	-	1
814	MOTOR FRAME	CAST IRON EN-GJL-250	1
816	POWER SIDE BRACKET	CAST IRON EN-GJL-250	1
817	OPPOSITE SIDE BRACKET	CAST IRON EN-GJL-250	1
830	SHAFT	AISI 420B	1
849-1	BALL BEARING	-	1
849-2	BALL BEARING	-	1
904	LIFTING HANGER	STEEL	2

80 DMLVF (16.6 kW)

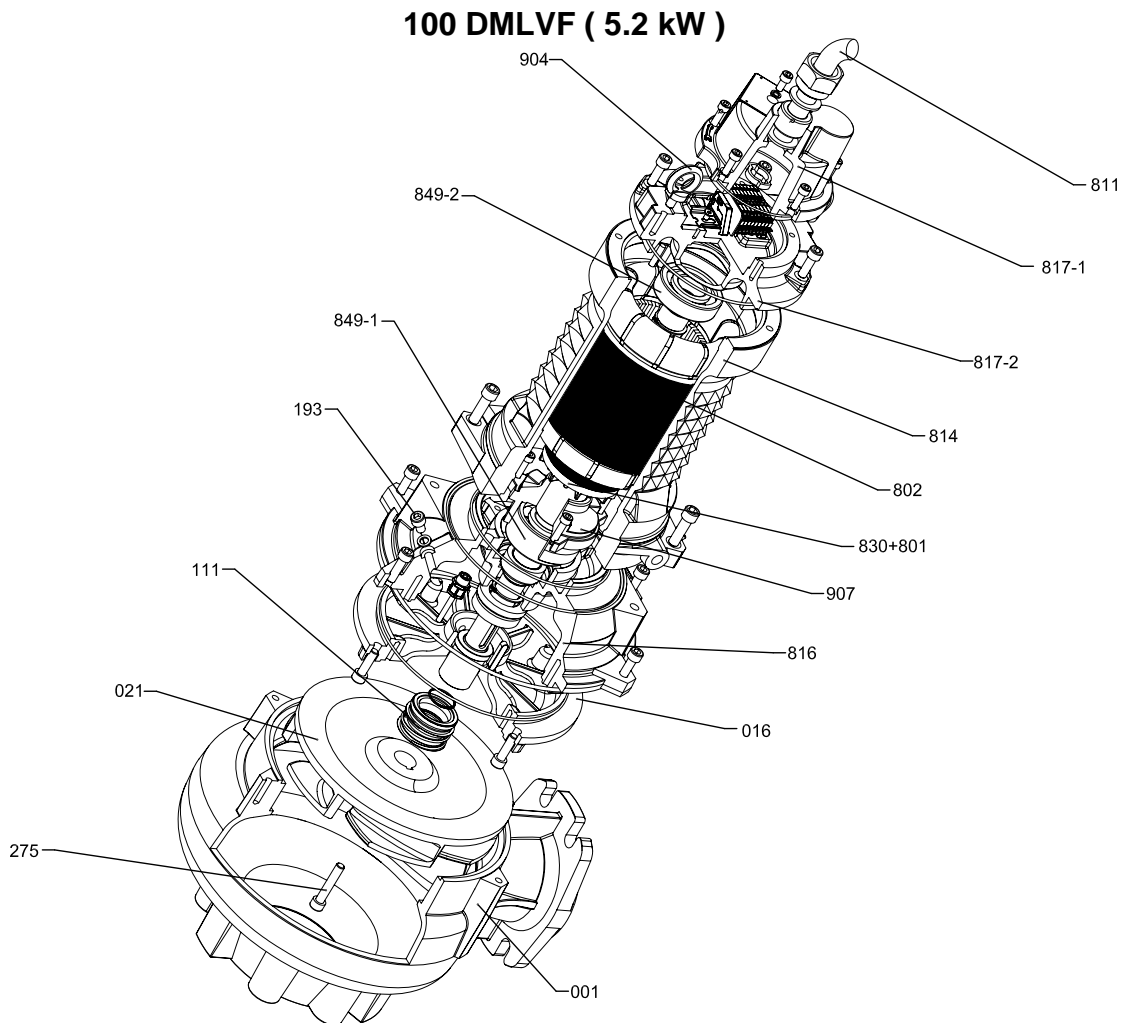


N°	PART NAME	MATERIAL	Q.TY	N°	PART NAME	MATERIAL	Q.TY
001	CASING	CAST IRON EN-GJL-250	1	811	SUBMERSIBLE CABLE	-	1
016	MECHANICAL SEAL COVER	CAST IRON EN-GJL-250	1	814	MOTOR FRAME	CAST IRON EN-GJL-250	1
021	IMPELLER	CAST IRON EN-GJL-250+Ni	1	816	POWER SIDE BRACKET	CAST IRON EN-GJL-250	1
080	BUSHING	STEEL	1	817-1	OPPOSITE SIDE BRACKET	CAST IRON EN-GJL-250	1
111-1	MECHANICAL SEAL	-	1	817-2	OPPOSITE SIDE BRACKET	CAST IRON EN-GJL-250	1
111-2	MECHANICAL SEAL	-	1	830	SHAFT	AISI 420B	1
193	OIL PLUG	NBR / STAINLESS STEEL	1	849-1	BALL BEARING	-	1
275	IMPELLER BOLT	CLASS A2 AISI 304	1	849-2	BALL BEARING	-	1
801	ROTOR	-	1	904	LIFTING HANGER	STEEL	2
802	STATOR	-	1	907	BEARING COVER	CAST IRON EN-GJL-250	1

80 DMLVF (18.2 kW)

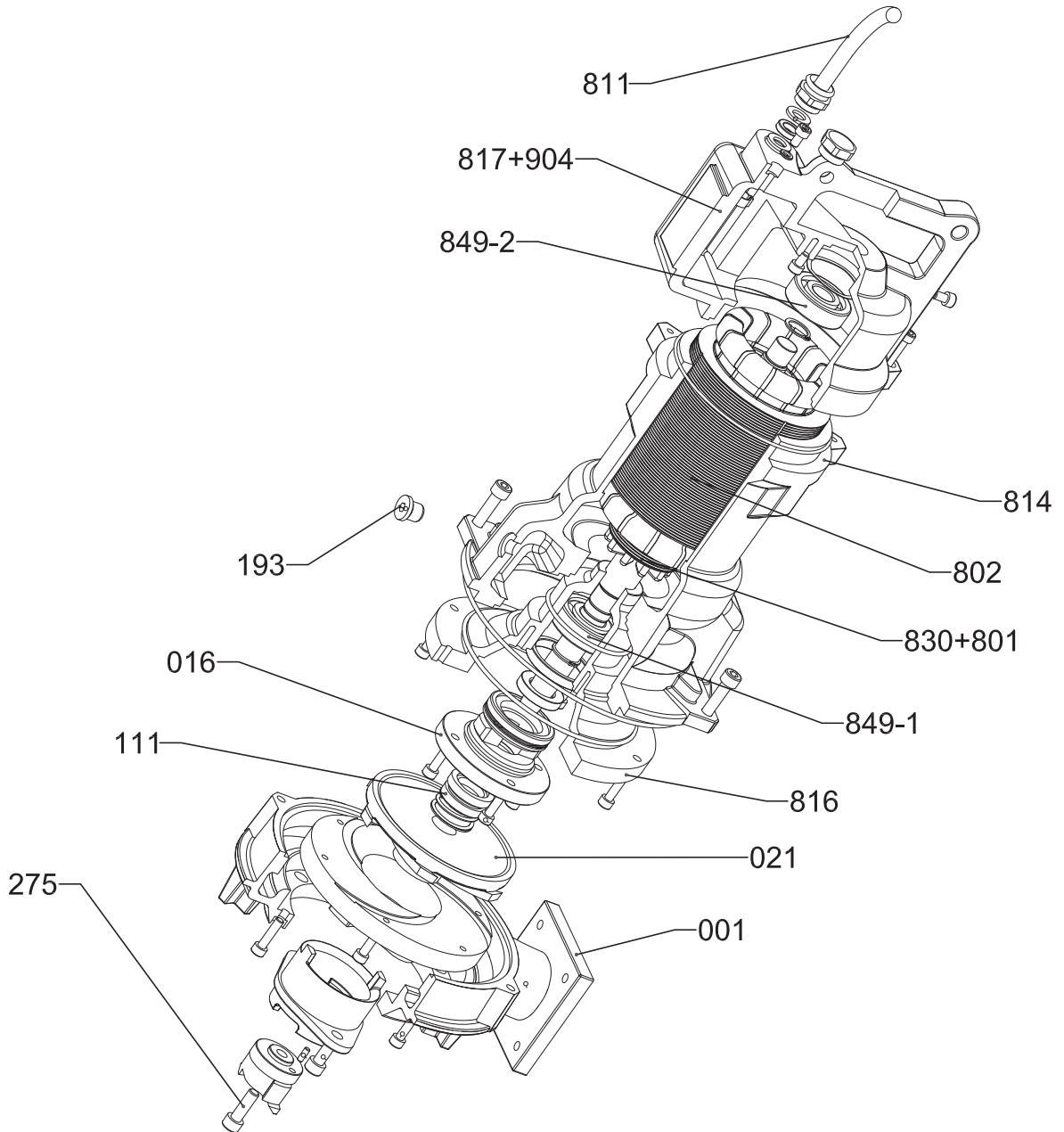


N°	PART NAME	MATERIAL	Q.TY	N°	PART NAME	MATERIAL	Q.TY
001	CASING	CAST IRON EN-GJL-250	1	814	MOTOR FRAME	CAST IRON EN-GJL-250	1
016	MECHANICAL SEAL COVER	CAST IRON EN-GJL-250	1	816	POWER SIDE BRACKET	CAST IRON EN-GJL-250	1
021	IMPELLER	CAST IRON EN-GJL-250+Ni	1	817-1	OPPOSITE SIDE BRACKER	CAST IRON EN-GJL-250	1
111-1	MECHANICAL SEAL	-	1	817-2	OPPOSITE SIDE BRACKER	CAST IRON EN-GJL-250	1
111-2	MECHANICAL SEAL	-	1	830	SHAFT	AISI 420B	1
193	OIL PLUG	NBR / STAINLESS STEEL	1	849-1	BALL BEARING	-	1
275	IMPELLER BOLT	CLASS A2 AISI 304	1	849-2	BALL BEARING	-	1
801	ROTOR	-	1	904	LIFTING HANGER	STEEL	2
802	STATOR	-	1	907	BEARING COVER	CAST IRON EN-GJL-250	1
811	SUBMERSIBLE CABLE	-	1				



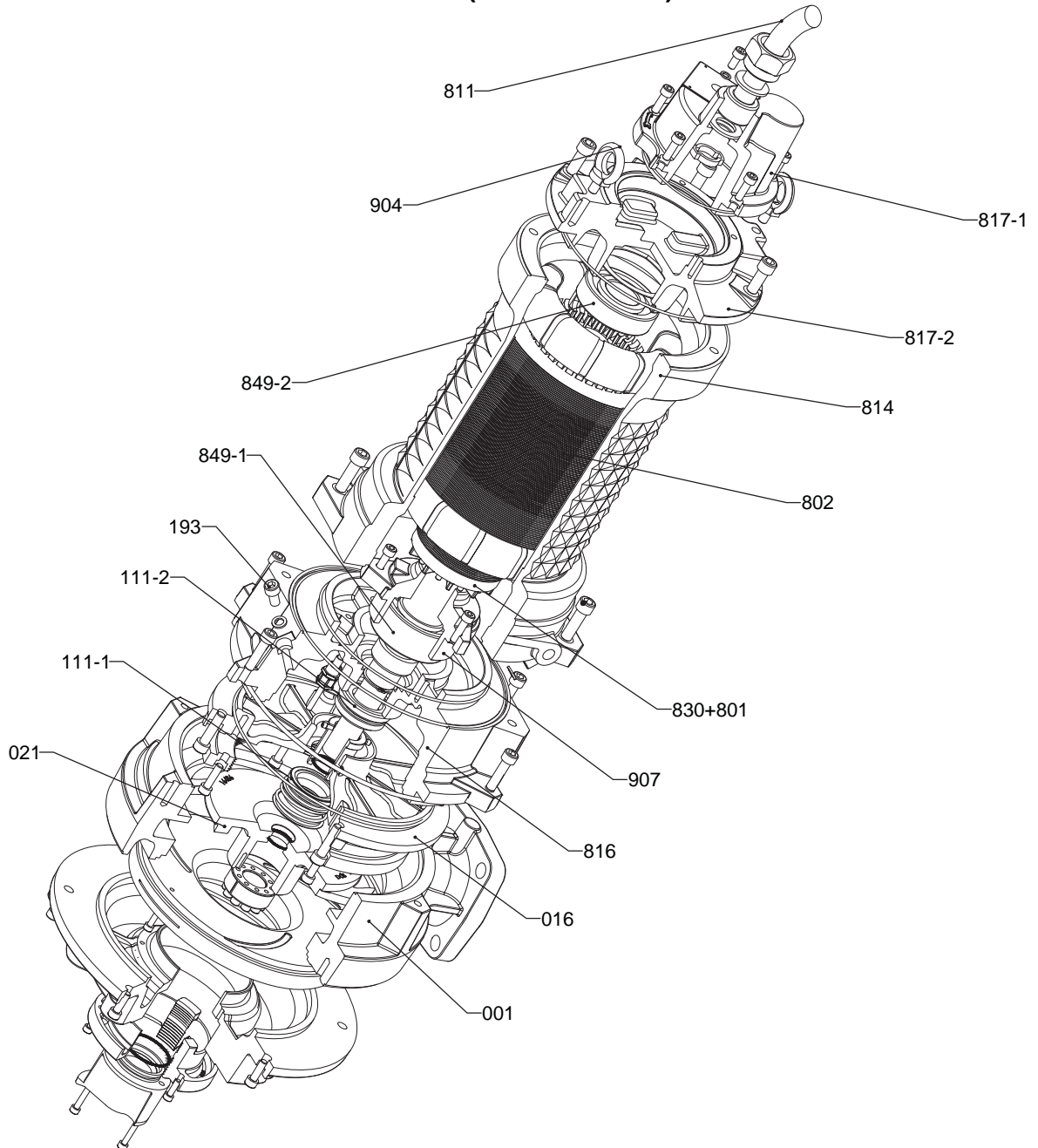
N°	PART NAME	MATERIAL	Q.TY
001	CASING	CAST IRON EN-GJL-250	1
016	MECHANICAL SEAL COVER	CAST IRON EN-GJL-250	1
021	IMPELLER	CAST IRON EN-GJL-250	1
111	MECHANICAL SEAL	-	1
193	OIL PLUG	NBR / STAINLESS STEEL	1
275	IMPELLER BOLT	CLASS A2 AISI 304	1
801	ROTOR	-	1
802	STATOR	-	1
811	SUBMERSIBLE CABLE	-	1
814	MOTOR FRAME	CAST IRON EN-GJL-250	1
816	POWER SIDE BRACKET	CAST IRON EN-GJL-250	1
817-1	OPPOSITE SIDE BRACKET	CAST IRON EN-GJL-250	1
817-2	OPPOSITE SIDE BRACKET	CAST IRON EN-GJL-250	1
830	SHAFT	AISI 420B	1
849-1	BALL BEARING	-	1
849-2	BALL BEARING	-	1
904	LIFTING HANGER	STEEL	2
907	BEARING COVER	CAST IRON EN-GJL-250	1

40 DRS (1.1 ÷ 5.0 kW)



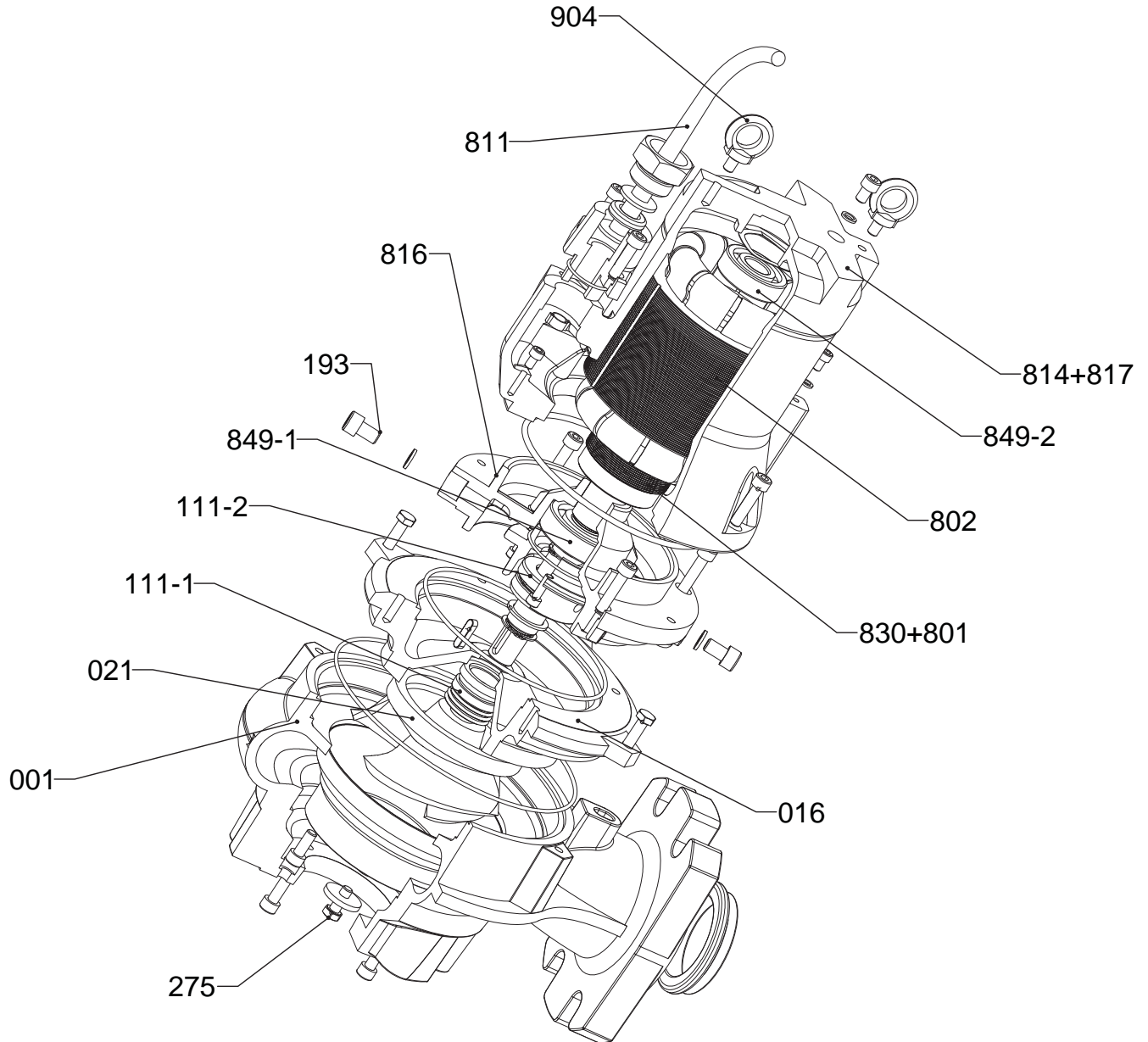
N°	PART NAME	MATERIAL	Q.TY	N°	PART NAME	MATERIAL	Q.TY
001	CASING	CAST IRON EN-GJL-250	1	814	MOTOR FRAME	CAST IRON EN-GJL-250	1
016	MECHANICAL SEAL COVER	CAST IRON EN-GJL-250	1	816	POWER SIDE BRACKET	CAST IRON EN-GJL-250	1
021	IMPELLER	DUCTILE IRON GS400 UNI-EN1563	1	817	OPPOSITE SIDE BRACKET	CAST IRON EN-GJL-250	1
111	MECHANICAL SEAL	-	1	830	SHAFT	AISI 420B	1
193	OIL PLUG	NBR / STAINLESS STEEL	1	849-1	BALL BEARING	-	1
275	IMPELLER BOLT	CLASS A2 AISI 304	1	849-2	BALL BEARING	-	1
801	ROTOR	-	1	904	LIFTING HANGER	STEEL	2
802	STATOR	-	1				
811	SUBMERSIBLE CABLE	-	1				

65 DRS (6.5 ÷ 25.1 kW)



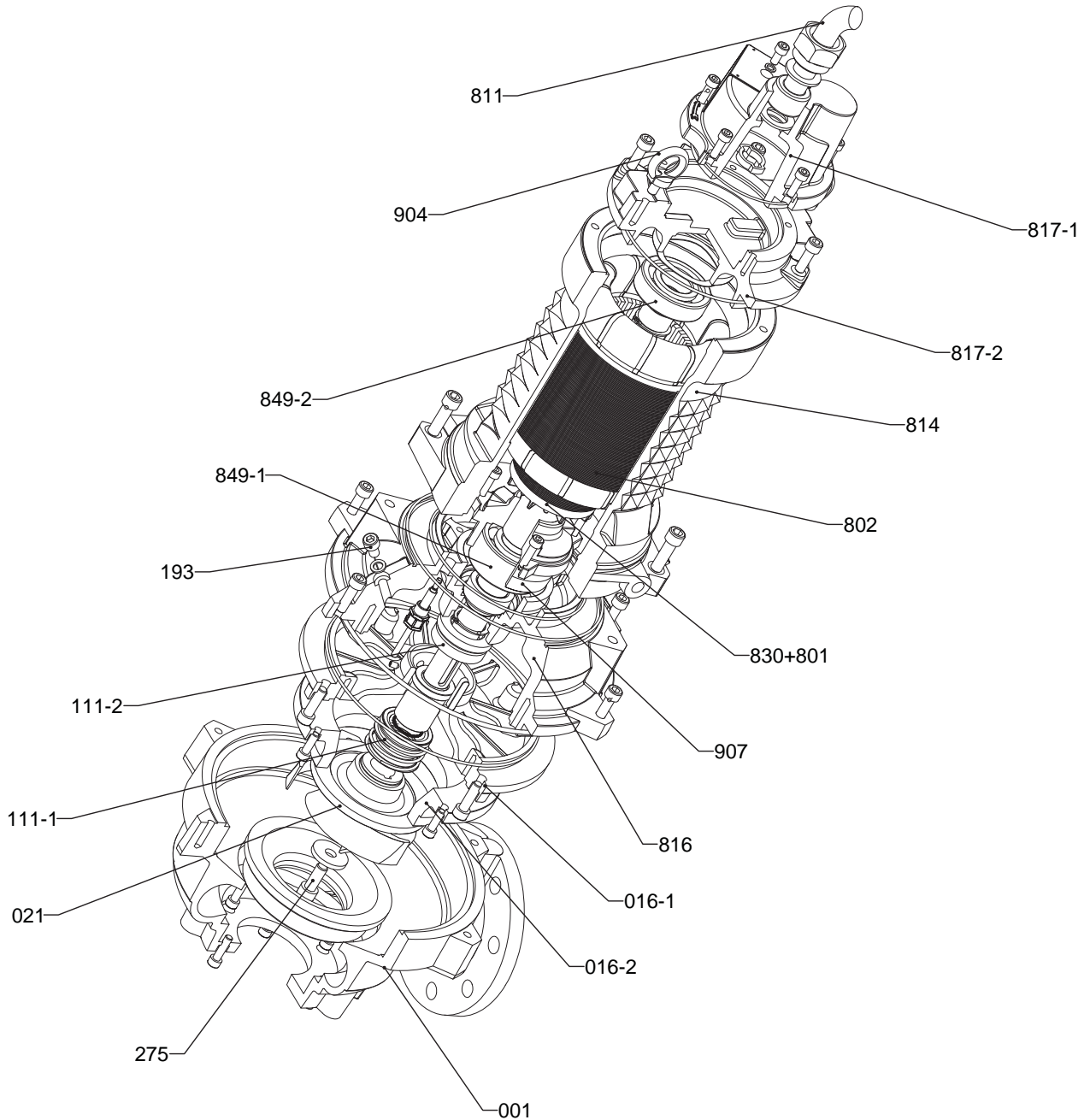
N°	PART NAME	MATERIAL	Q.TY	N°	PART NAME	MATERIAL	Q.TY
001	CASING	CAST IRON EN-GJL-250	1	814	MOTOR FRAME	CAST IRON EN-GJL-250	1
016	MECHANICAL SEAL COVER	CAST IRON EN-GJL-250	1	816	POWER SIDE BRACKET	CAST IRON EN-GJL-250	1
021	IMPELLER	DUCTILE IRON GS400 UNI-EN1563	1	817-1	OPPOSITE SIDE BRACKET	CAST IRON EN-GJL-250	1
111-1	MECHANICAL SEAL	-	1	817-2	OPPOSITE SIDE BRACKET	CAST IRON EN-GJL-250	1
111-2	MECHANICAL SEAL	-	1	830	SHAFT	AISI 420B	1
193	OIL PLUG	NBR / STAINLESS STEEL	1	849-1	BALL BEARING	-	1
275	IMPELLER BOLT	CLASS A2 AISI 304	1	849-2	BALL BEARING	-	1
801	ROTOR	-	1	904	LIFTING HANGER	STEEL	2
802	STATOR	-	1	907	BEARING COVER	CAST IRON EN-GJL-250	1
811	SUBMERSIBLE CABLE	-	1				

65 DRD (3.1 ÷ 3.6 kW)



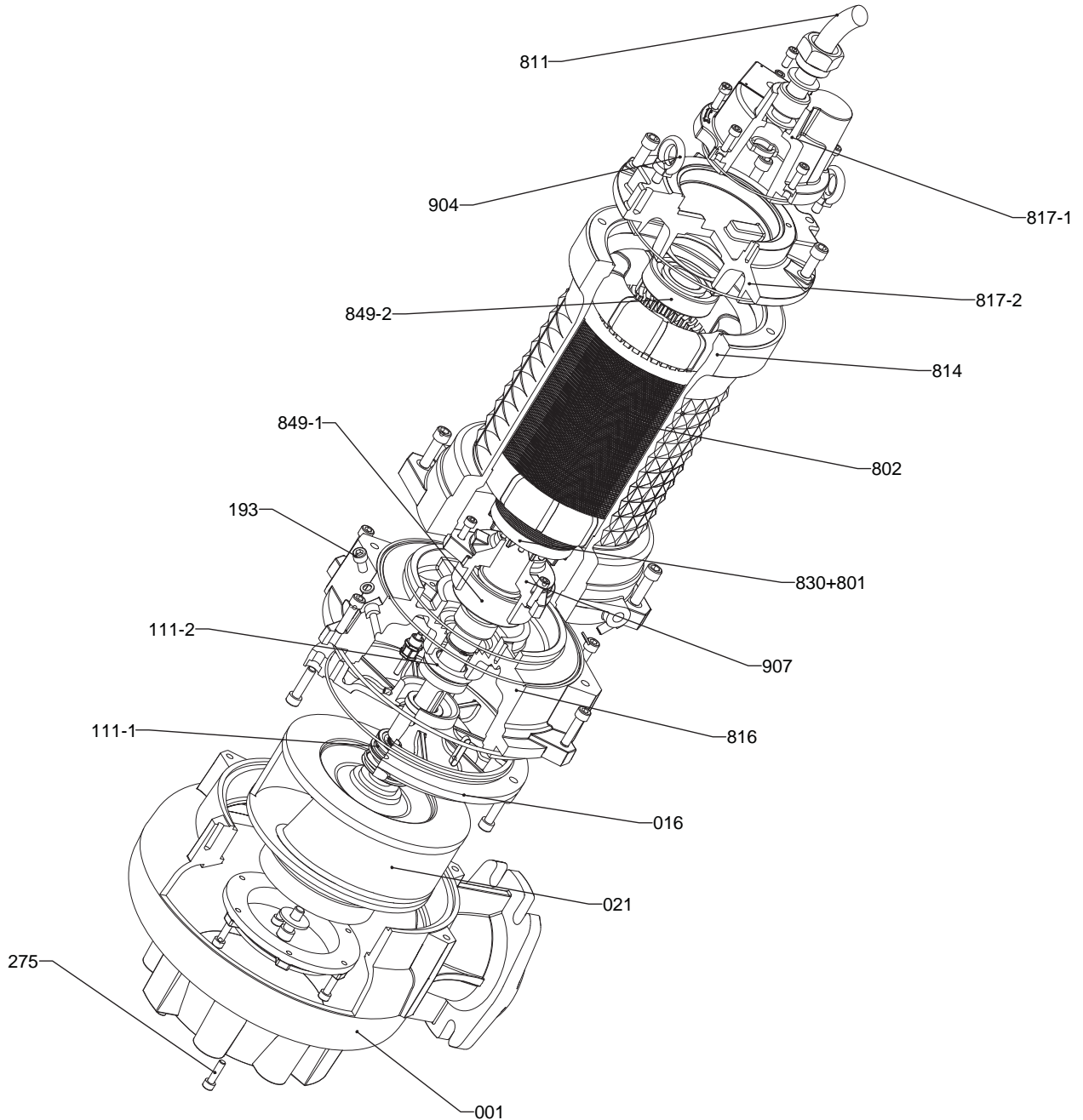
N°	PART NAME	MATERIAL	Q.TY	N°	PART NAME	MATERIAL	Q.TY
001	CASING	CAST IRON EN-GJL-250	1	814	MOTOR FRAME	CAST IRON EN-GJL-250	1
016	MECHANICAL SEAL COVER	CAST IRON EN-GJL-250	1	816	POWER SIDE BRACKET	CAST IRON EN-GJL-250	1
021	IMPELLER	DUCTILE IRON GS400 UNI-EN1563	1	817	OPPOSITE SIDE BRACKET	CAST IRON EN-GJL-250	1
111-1	MECHANICAL SEAL	-	1	830	SHAFT	AISI 420B	1
111-2	MECHANICAL SEAL	-	1	849-1	BALL BEARING	-	1
193	OIL PLUG	NBR / STAINLESS STEEL	1	849-2	BALL BEARING	-	1
275	IMPELLER BOLT	CLASS A2 AISI 304	1	904	LIFTING HANGER	STEEL	2
801	ROTOR	-	1				
802	STATOR	-	1				
811	SUBMERSIBLE CABLE	-	1				

80 DRD (5.0 ÷ 7.5 kW)



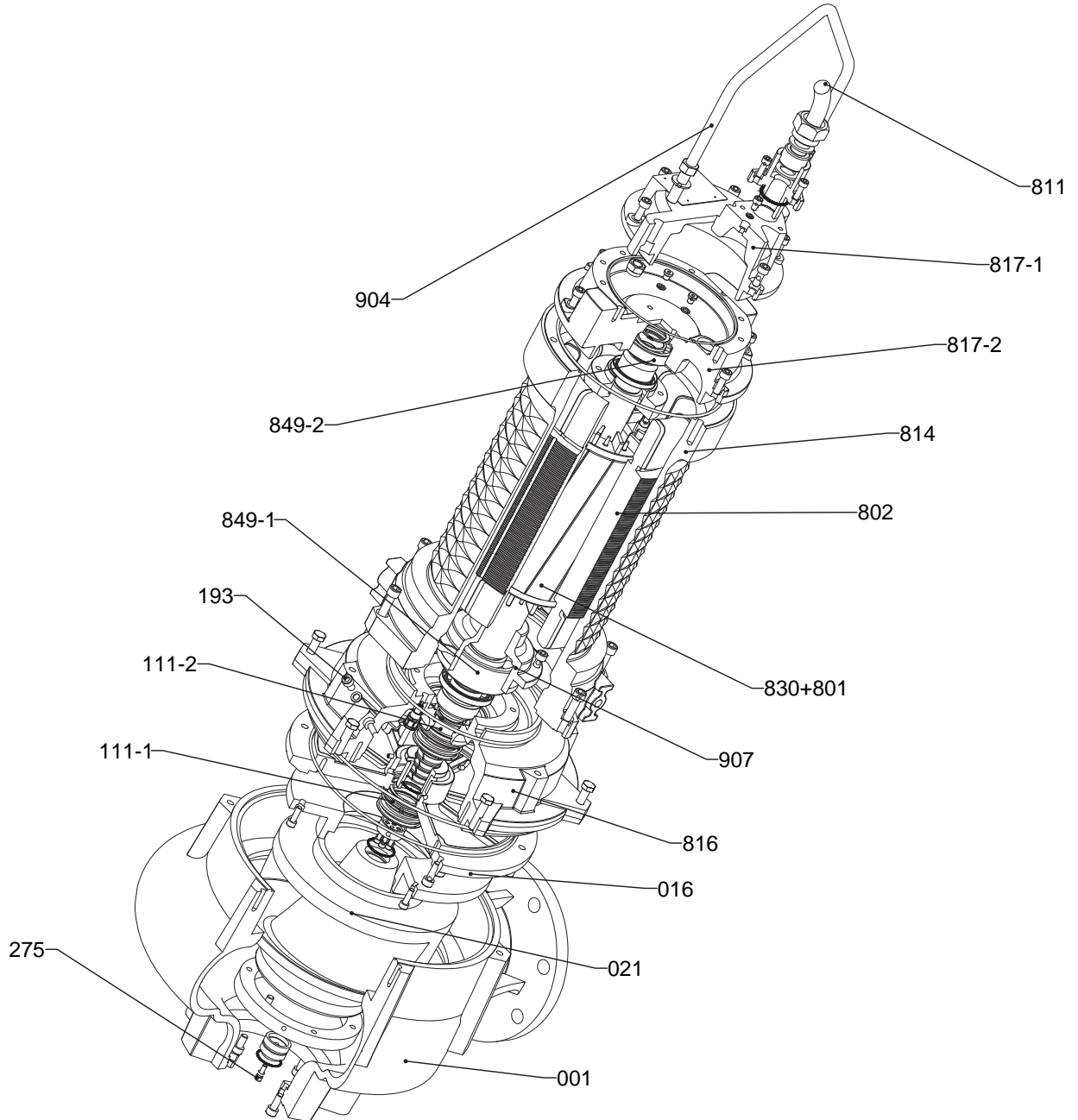
N°	PART NAME	MATERIAL	Q.TY	N°	PART NAME	MATERIAL	Q.TY
001	CASING	CAST IRON EN-GJL-250	1	811	SUBMERSIBLE CABLE	-	1
016-1	MECHANICAL SEAL COVER	CAST IRON EN-GJL-250	1	814	MOTOR FRAME	CAST IRON EN-GJL-250	1
016-2	MECHANICAL SEAL COVER	CAST IRON EN-GJL-250	1	816	POWER SIDE BRACKET	CAST IRON EN-GJL-250	1
021	IMPELLER	DUCTILE IRON GS400 UNI-EN1563	1	817-1	OPPOSITE SIDE BRACKET	CAST IRON EN-GJL-250	1
111-1	MECHANICAL SEAL	-	1	817-2	OPPOSITE SIDE BRACKET	CAST IRON EN-GJL-250	1
111-2	MECHANICAL SEAL	-	1	830	SHAFT	AISI 420B	1
193	OIL PLUG	NBR / STAINLESS STEEL	1	849-1	BALL BEARING	-	1
275	IMPELLER BOLT	CLASS A2 AISI 304	1	849-2	BALL BEARING	-	1
801	ROTOR	-	1	904	LIFTING HANGER	STEEL	2
802	STATOR	-	1	907	BEARING COVER	CAST IRON EN-GJL-250	1

100 DRD (2.7 ÷ 20.0 kW)



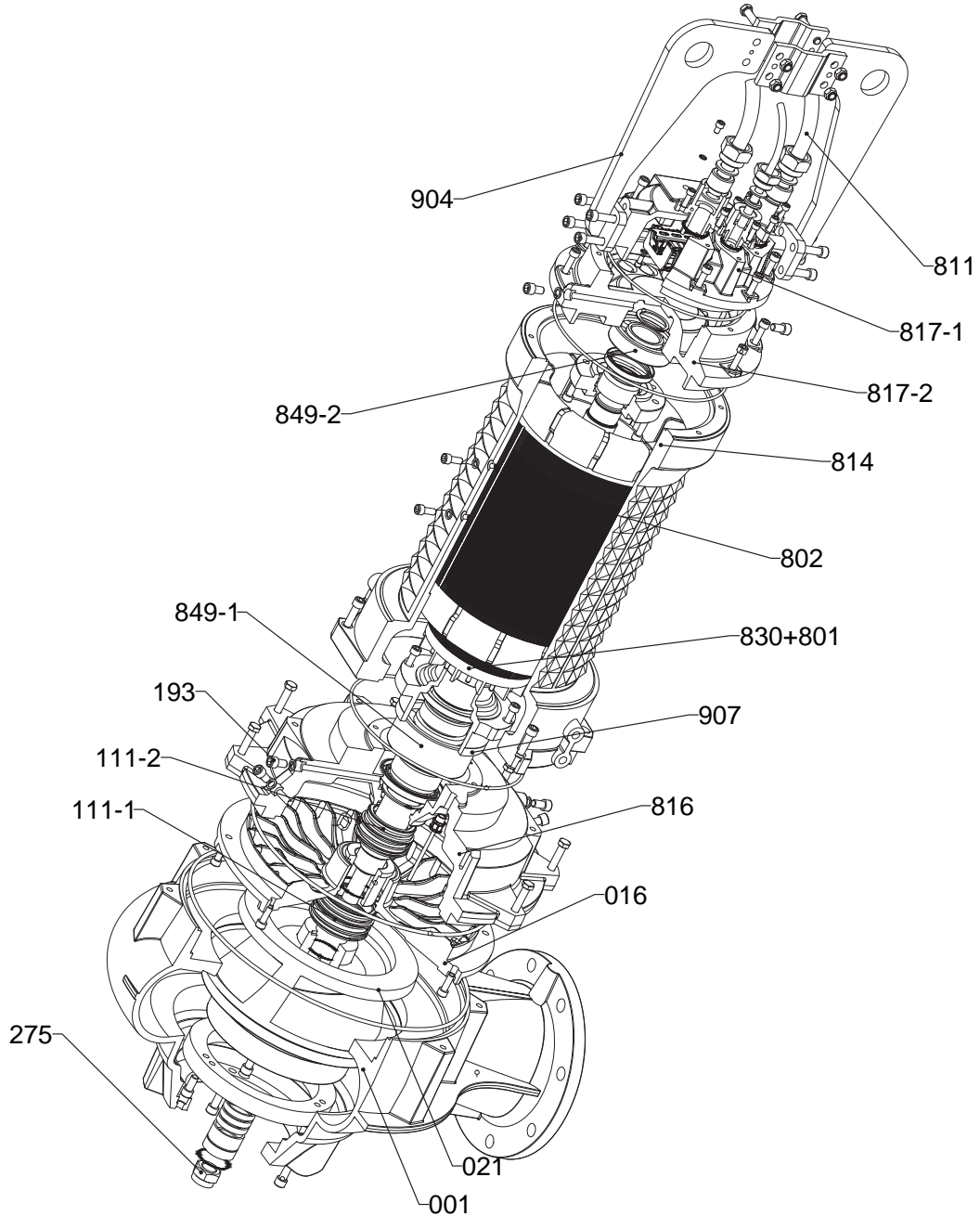
N°	PART NAME	MATERIAL	Q.TY	N°	PART NAME	MATERIAL	Q.TY
001	CASING	CAST IRON EN-GJL-250	1	814	MOTOR FRAME	CAST IRON EN-GJL-250	1
016	MECHANICAL SEAL COVER	CAST IRON EN-GJL-250	1	816	POWER SIDE BRACKET	CAST IRON EN-GJL-250	1
021	IMPELLER	DUCTILE IRON GS400 UNI-EN1563	1	817-1	OPPOSITE SIDE BRACKET	CAST IRON EN-GJL-250	1
111-1	MECHANICAL SEAL	-	1	817-2	OPPOSITE SIDE BRACKET	CAST IRON EN-GJL-250	1
111-2	MECHANICAL SEAL	-	1	830	SHAFT	AISI 420B	1
193	OIL PLUG	NBR / STAINLESS STEEL	1	849-1	BALL BEARING	-	1
275	IMPELLER BOLT	CLASS A2 AISI 304	1	849-2	BALL BEARING	-	1
801	ROTOR	-	1	904	LIFTING HANGER	STEEL	2
802	STATOR	-	1	907	BEARING COVER	CAST IRON EN-GJL-250	1
811	SUBMERSIBLE CABLE	-	1				

150 DRD (6.0 ÷ 80.0 kW)



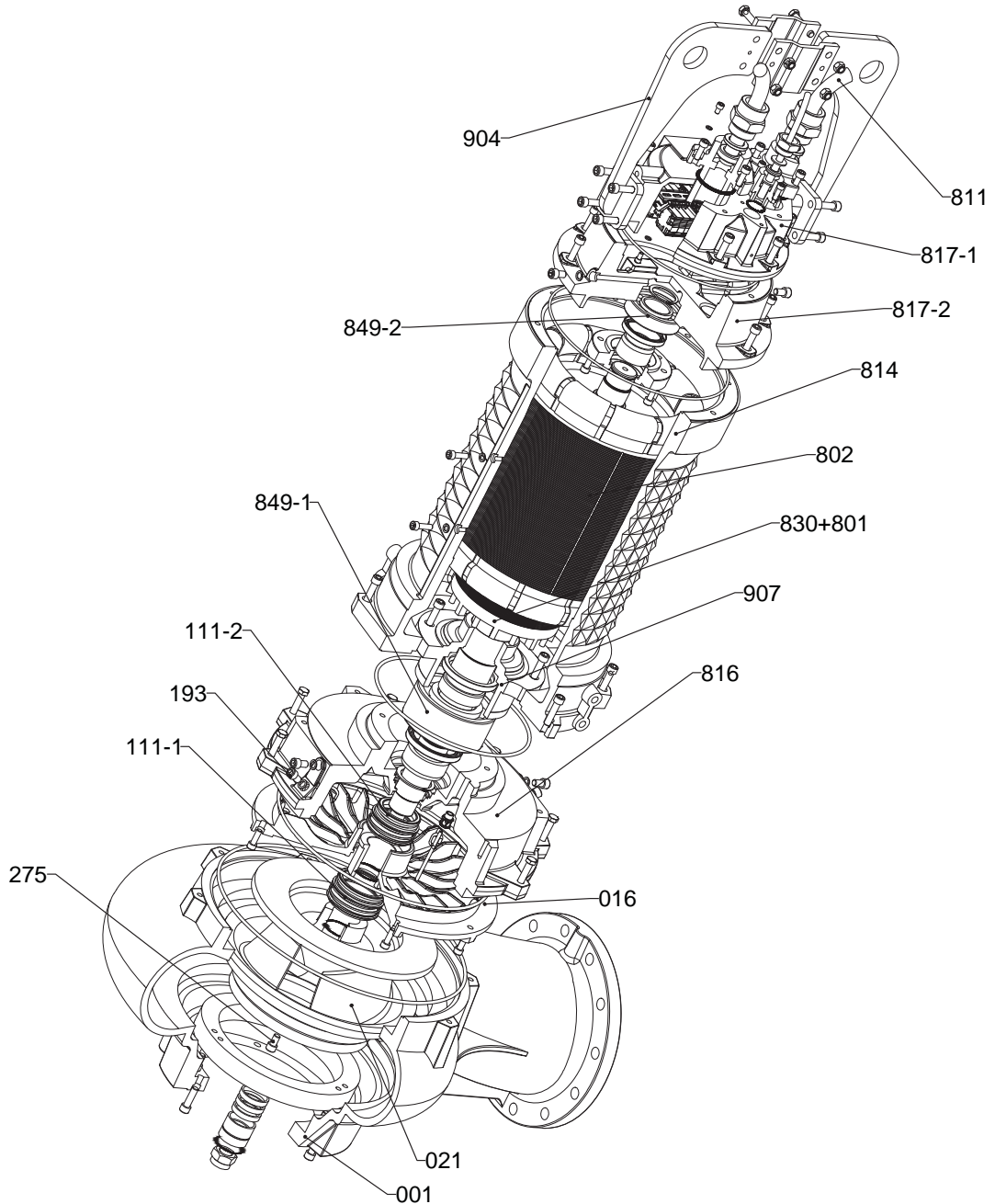
N°	PART NAME	MATERIAL	Q.TY	N°	PART NAME	MATERIAL	Q.TY
001	CASING	CAST IRON EN-GJL-250	1	814	MOTOR FRAME	CAST IRON EN-GJL-250	1
016	MECHANICAL SEAL COVER	CAST IRON EN-GJL-250	1	816	POWER SIDE BRACKET	CAST IRON EN-GJL-250	1
021	IMPELLER	DUCTILE IRON GS400 UNI-EN1563	1	817-1	OPPOSITE SIDE BRACKET	CAST IRON EN-GJL-250	1
111-1	MECHANICAL SEAL	-	1	817-2	OPPOSITE SIDE BRACKET	CAST IRON EN-GJL-250	1
111-2	MECHANICAL SEAL	-	1	830	SHAFT	AISI 420B	1
193	OIL PLUG	NBR / STAINLESS STEEL	1	849-1	BALL BEARING	-	1
275	IMPELLER BOLT	CLASS A2 AISI 304	1	849-2	BALL BEARING	-	1
801	ROTOR	-	1	904	LIFTING HANGER	STEEL	2
802	STATOR	-	1	907	BEARING COVER	CAST IRON EN-GJL-250	1
811	SUBMERSIBLE CABLE	-	1				

200 DRD (6.0 ÷ 48.0 kW)



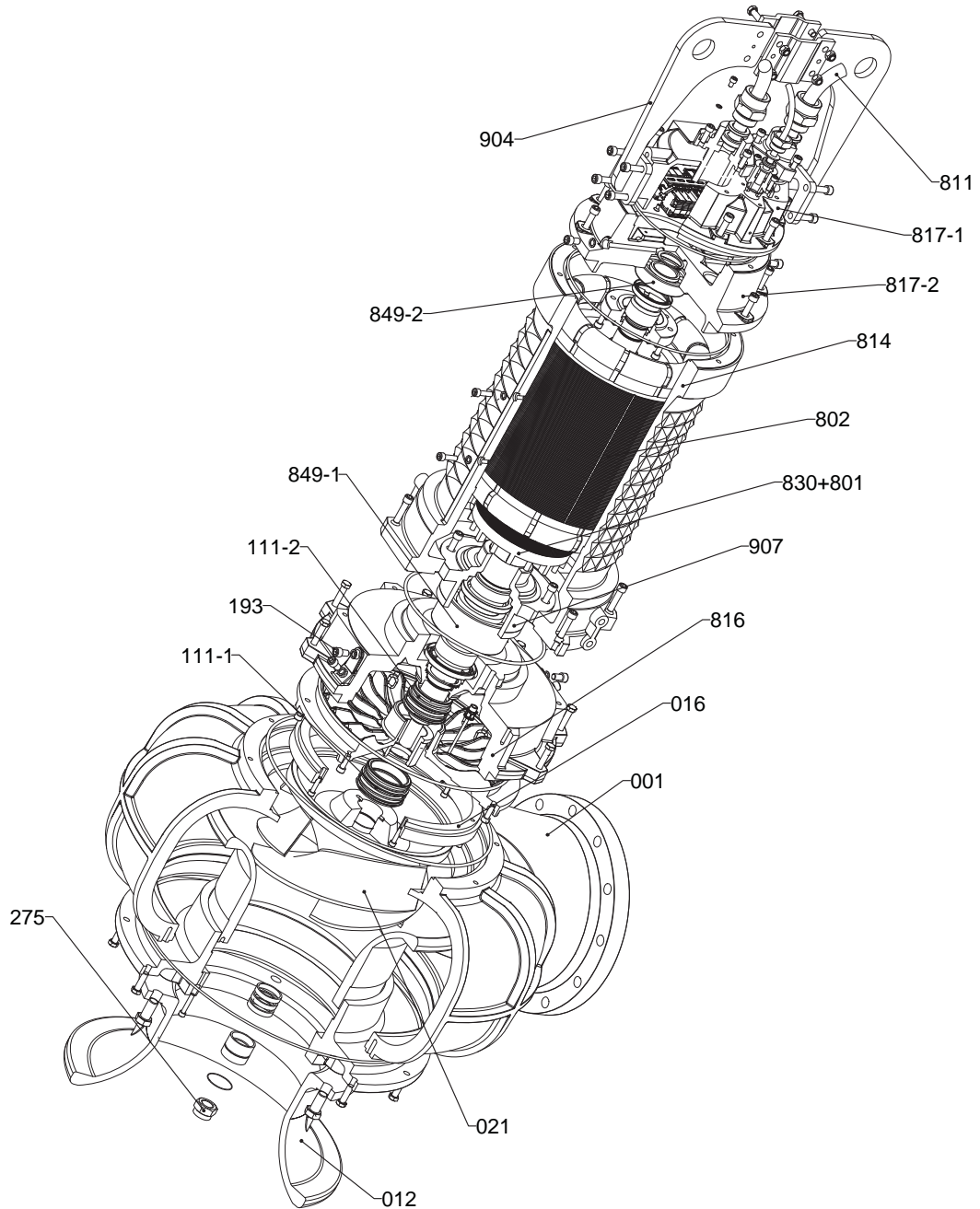
N°	PART NAME	MATERIAL	Q.TY	N°	PART NAME	MATERIAL	Q.TY
001	CASING	CAST IRON EN-GJL-250	1	814	MOTOR FRAME	CAST IRON EN-GJL-250	1
016	MECHANICAL SEAL COVER	CAST IRON EN-GJL-250	1	816	POWER SIDE BRACKET	CAST IRON EN-GJL-250	1
021	IMPELLER	DUCTILE IRON GS400 UNI-EN1563	1	817-1	OPPOSITE SIDE BRACKET	CAST IRON EN-GJL-250	1
111-1	MECHANICAL SEAL	-	1	817-2	OPPOSITE SIDE BRACKET	CAST IRON EN-GJL-250	1
111-2	MECHANICAL SEAL	-	1	830	SHAFT	AISI 420B	1
193	OIL PLUG	NBR / STAINLESS STEEL	1	849-1	BALL BEARING	-	1
275	IMPELLER BOLT	CLASS A2 AISI 304	1	849-2	BALL BEARING	-	1
801	ROTOR	-	1	904	LIFTING HANGER	STEEL	2
802	STATOR	-	1	907	BEARING COVER	CAST IRON EN-GJL-250	1
811	SUBMERSIBLE CABLE	-	1				

250 DRD (12.4 ÷ 85.0 kW)



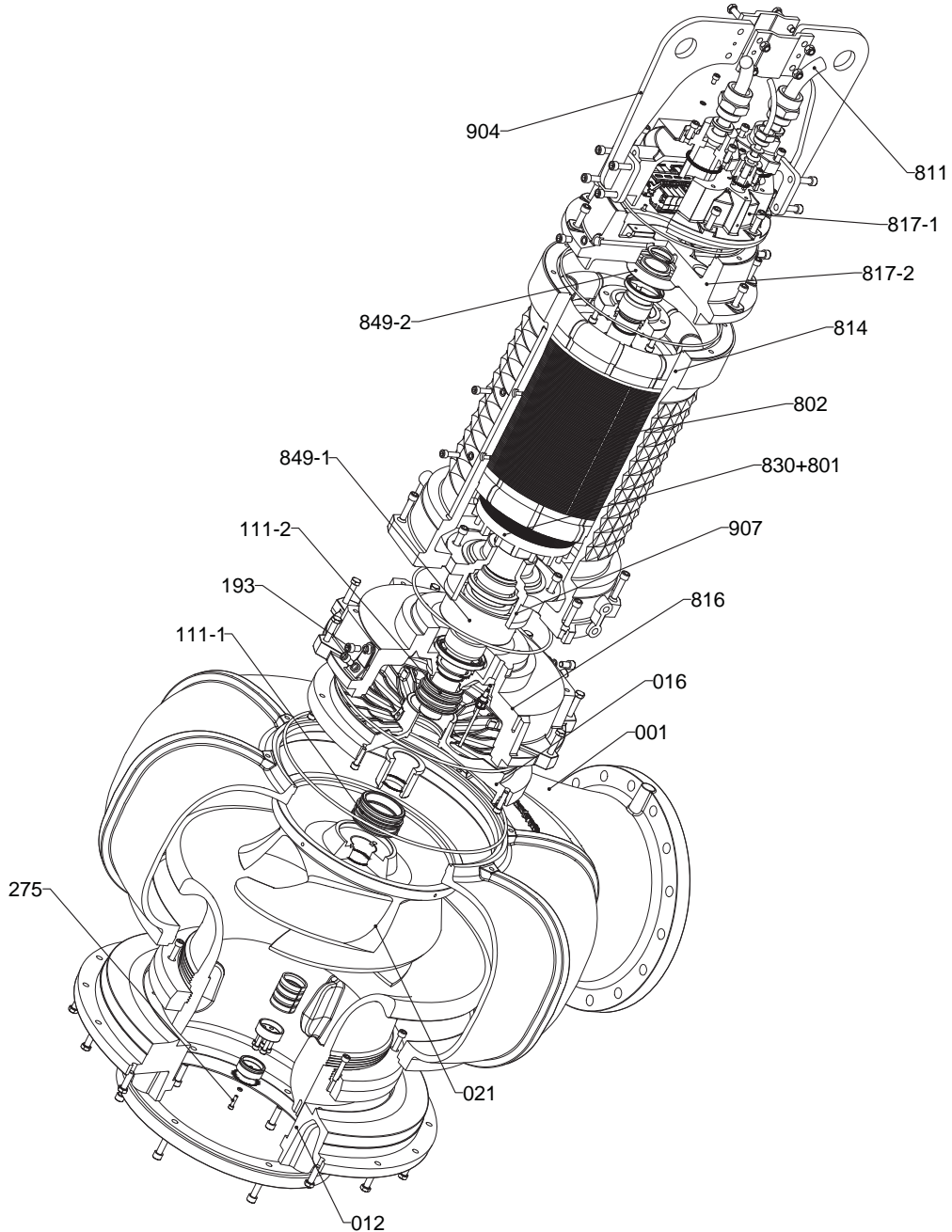
N°	PART NAME	MATERIAL	Q.TY	N°	PART NAME	MATERIAL	Q.TY
001	CASING	CAST IRON EN-GJL-250	1	814	MOTOR FRAME	CAST IRON EN-GJL-250	1
016	MECHANICAL SEAL COVER	CAST IRON EN-GJL-250	1	816	POWER SIDE BRACKET	CAST IRON EN-GJL-250	1
021	IMPELLER	DUCTILE IRON GS400 UNI-EN1563	1	817-1	OPPOSITE SIDE BRACKET	CAST IRON EN-GJL-250	1
111-1	MECHANICAL SEAL	-	1	817-2	OPPOSITE SIDE BRACKET	CAST IRON EN-GJL-250	1
111-2	MECHANICAL SEAL	-	1	830	SHAFT	AISI 420B	1
193	OIL PLUG	NBR / STAINLESS STEEL	1	849-1	BALL BEARING	-	1
275	IMPELLER BOLT	CLASS A2 AISI 304	1	849-2	BALL BEARING	-	1
801	ROTOR	-	1	904	LIFTING HANGER	STEEL	2
802	STATOR	-	1	907	BEARING COVER	CAST IRON EN-GJL-250	1
811	SUBMERSIBLE CABLE	-	1				

300 DRD (21.8 ÷ 65.0 kW)



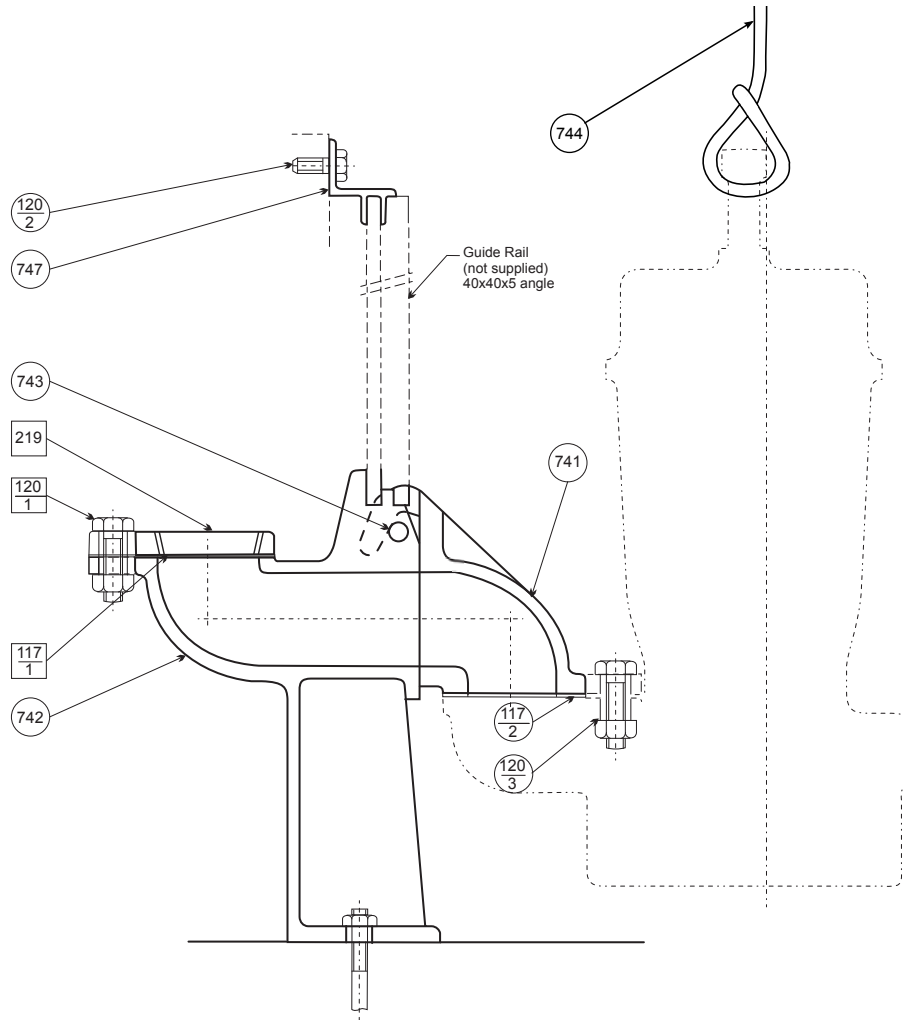
N°	PART NAME	MATERIAL	Q.TY	N°	PART NAME	MATERIAL	Q.TY
001	CASING	CAST IRON EN-GJL-250	1	814	MOTOR FRAME	CAST IRON EN-GJL-250	1
016	MECHANICAL SEAL COVER	CAST IRON EN-GJL-250	1	816	POWER SIDE BRACKET	CAST IRON EN-GJL-250	1
021	IMPELLER	DUCTILE IRON GS400 UNI-EN1563	1	817-1	OPPOSITE SIDE BRACKET	CAST IRON EN-GJL-250	1
111-1	MECHANICAL SEAL	-	1	817-2	OPPOSITE SIDE BRACKET	CAST IRON EN-GJL-250	1
111-2	MECHANICAL SEAL	-	1	830	SHAFT	AISI 420B	1
193	OIL PLUG	NBR / STAINLESS STEEL	1	849-1	BALL BEARING	-	1
275	IMPELLER BOLT	CLASS A2 AISI 304	1	849-2	BALL BEARING	-	1
801	ROTOR	-	1	904	LIFTING HANGER	STEEL	2
802	STATOR	-	1	907	BEARING COVER	CAST IRON EN-GJL-250	1
811	SUBMERSIBLE CABLE	-	1	012	SUCTION COVER	CAST IRON EN-GJL-250	1

350 DRD (40.0 ÷ 45.0 Kw)



N°	PART NAME	MATERIAL	Q.TY	N°	PART NAME	MATERIAL	Q.TY
001	CASING	CAST IRON EN-GJL-250	1	814	MOTOR FRAME	CAST IRON EN-GJL-250	1
016	MECHANICAL SEAL COVER	CAST IRON EN-GJL-250	1	816	POWER SIDE BRACKET	CAST IRON EN-GJL-250	1
021	IMPELLER	DUCTILE IRON GS400 UNI-EN1563	1	817-1	OPPOSITE SIDE BRACKET	CAST IRON EN-GJL-250	1
111-1	MECHANICAL SEAL	-	1	817-2	OPPOSITE SIDE BRACKET	CAST IRON EN-GJL-250	1
111-2	MECHANICAL SEAL	-	1	830	SHAFT	AISI 420B	1
193	OIL PLUG	NBR / STAINLESS STEEL	1	849-1	BALL BEARING	-	1
275	IMPELLER BOLT	CLASS A2 AISI 304	1	849-2	BALL BEARING	-	1
801	ROTOR	-	1	904	LIFTING HANGER	STEEL	2
802	STATOR	-	1	907	BEARING COVER	CAST IRON EN-GJL-250	1
811	SUBMERSIBLE CABLE	-	1	012	SUCTION COVER	CAST IRON EN-GJL-250	1

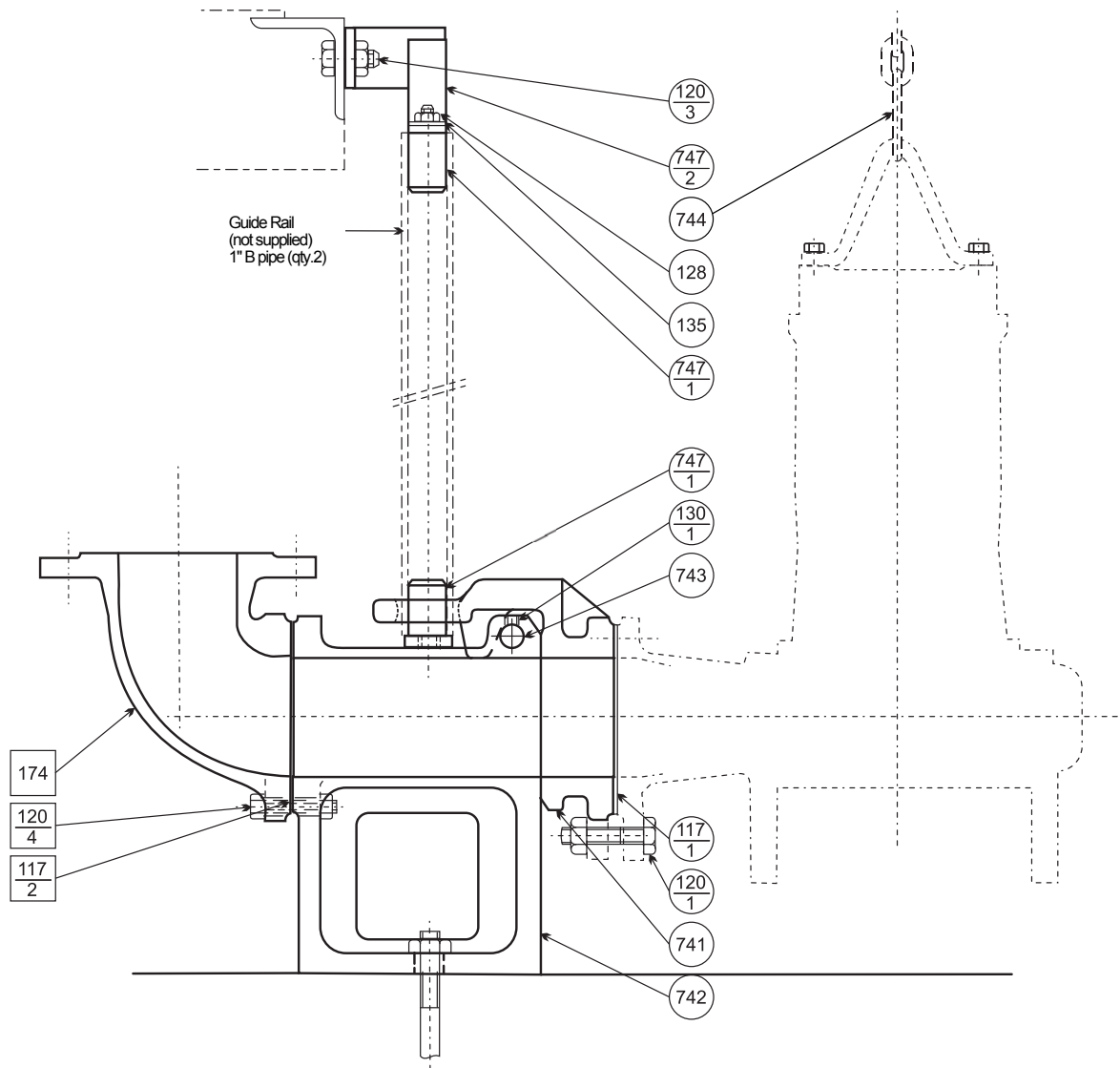
QDC LS50 (Optional)



N°	PART.NAME	MATERIAL	Q.TY	N°	PART.NAME	MATERIAL	Q.TY
117-1	Gasket	NBR Rubber	1	741	Sliding Guide	Cast iron EN-GHJL-200 - EN 1561	1
117-2	Gasket	NBR Rubber	1	742	QDC Body	Cast iron EN-GHJL-200 - EN 1561	1
120-1	Bolt&Nut	AISI 304 Stainless Steel	2	743	Suspension Bar	AISI 304 Stainless Steel	1
120-2	Bolt	AISI 304 Stainless Steel	2	744	Rope	-	1
120-3	Bolt	AISI 304 Stainless Steel	2	747	Guide Support	Steel	1
219	Companion Flange	Cast iron EN-GHJL-200 - EN 1561	1				

Note: Those parts with item number indicated in a are supplied with the pump.

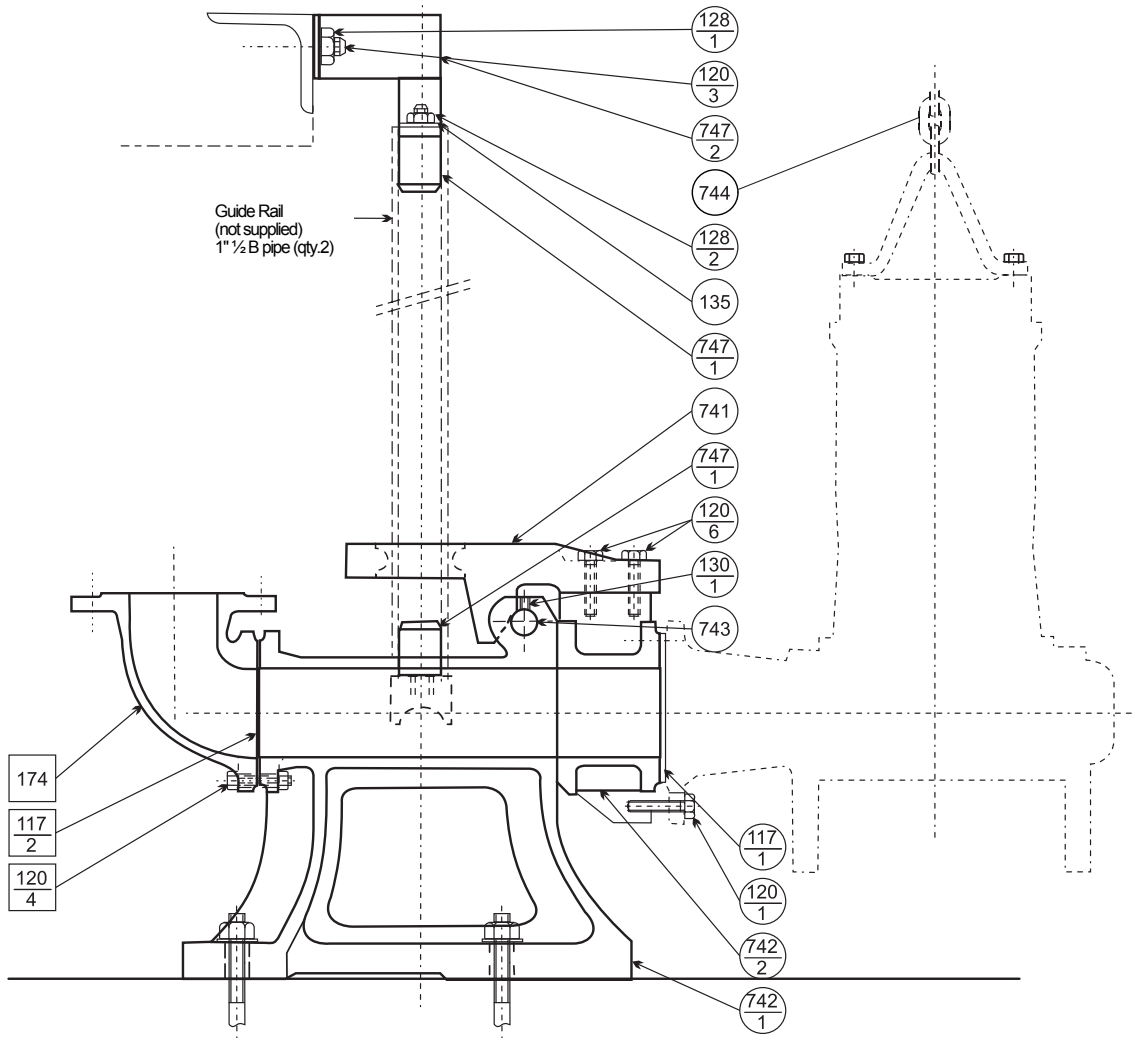
QDC LM50, LM65, LM80 (Optional)



N°	PART.NAME	MATERIAL	Q.TY	N°	PART.NAME	MATERIAL	Q.TY
117-1	Gasket	NBR Rubber	1	135	Washer	AISI 304 Stainless Steel	2
117-2	Gasket	NBR Rubber	1	174	Discharge Bend	Cast iron EN-GHJL-200 - EN 1561	1
117-3	Gasket	NBR Rubber	1	741	Sliding Guide	Cast iron EN-GHJL-200 - EN 1563	1
120-1	Bolt & Nut	AISI 304 Stainless Steel	4	742	QDC Body	Cast iron EN-GHJL-200 - EN 1564	1
120-3	Bolt & Nut	AISI 304 Stainless Steel	2	743	Suspension Bar	AISI 304 Stainless Steel	1
120-4	Bolt & Nut	AISI 304 Stainless Steel	4	744	Chain	Steel	1
120-5	Bolt & Nut	AISI 304 Stainless Steel	4or8	747-1	Guide Pin	Steel	4
128	Nut	AISI 304 Stainless Steel	2	747-2	Guide Support	Steel	1
130-1	Set Screw	AISI 304 Stainless Steel	1				

Note: Those parts with item number indicated in a □ are supplied with the pump.

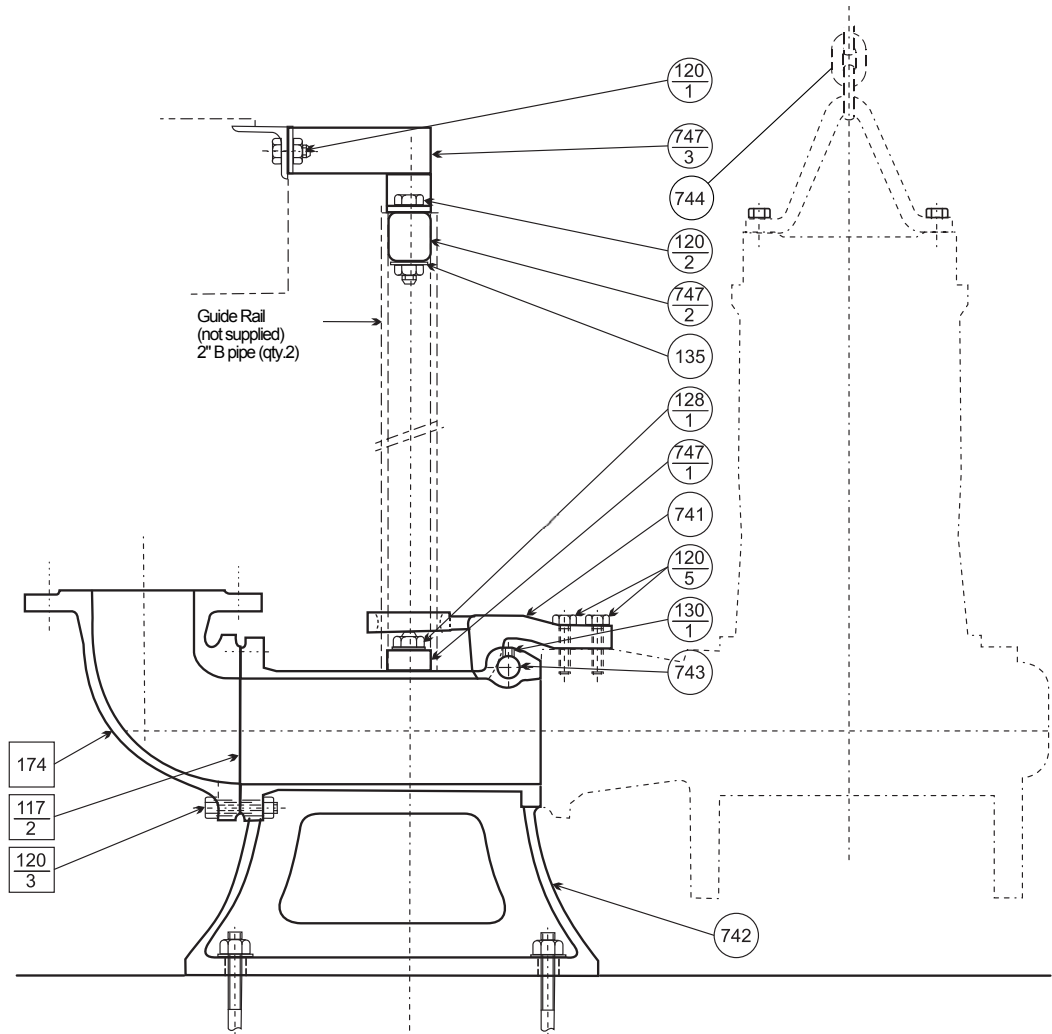
QDC LL80, LL100 (Optional)



N°	PART.NAME	MATERIAL	Q.TY	N°	PART.NAME	MATERIAL	Q.TY
117-1	Gasket	NBR Rubber	1	130-1	Set Screw	AISI 304 Stainless Steel	1
117-2	Gasket	NBR Rubber	1	135	Washer	AISI 304 Stainless Steel	2
117-3	Gasket	NBR Rubber	1	174	Discharge Bend	Cast iron EN-GHJL-200 - EN 1561	1
120-1	Bolt	AISI 304 Stainless Steel	4	741	Sliding Guide	Spheroidal graphite cast iron EN-GJS-400 - EN 1563	1
120-3	Bolt	AISI 304 Stainless Steel	2	742-1	QDC Body	Cast iron EN-GHJL-200 - EN 1564	1
120-4	Bolt & Nut	AISI 304 Stainless Steel	4	742-2	QDC Flange	Cast iron EN-GHJL-200 - EN 1564	1
120-5	Bolt & Nut	AISI 304 Stainless Steel	4or8	743	Suspension Bar	AISI 304 Stainless Steel	1
120-6	Bolt	AISI 304 Stainless Steel	4	744	Chain	Steel	1
128-1	Nut	AISI 304 Stainless Steel	2	747-1	Guide Pin	Steel	4
128-2	Nut	AISI 304 Stainless Steel	2	747-2	Guide Support	Steel	1

Note: Those parts with item number indicated in a are supplied with the pump.

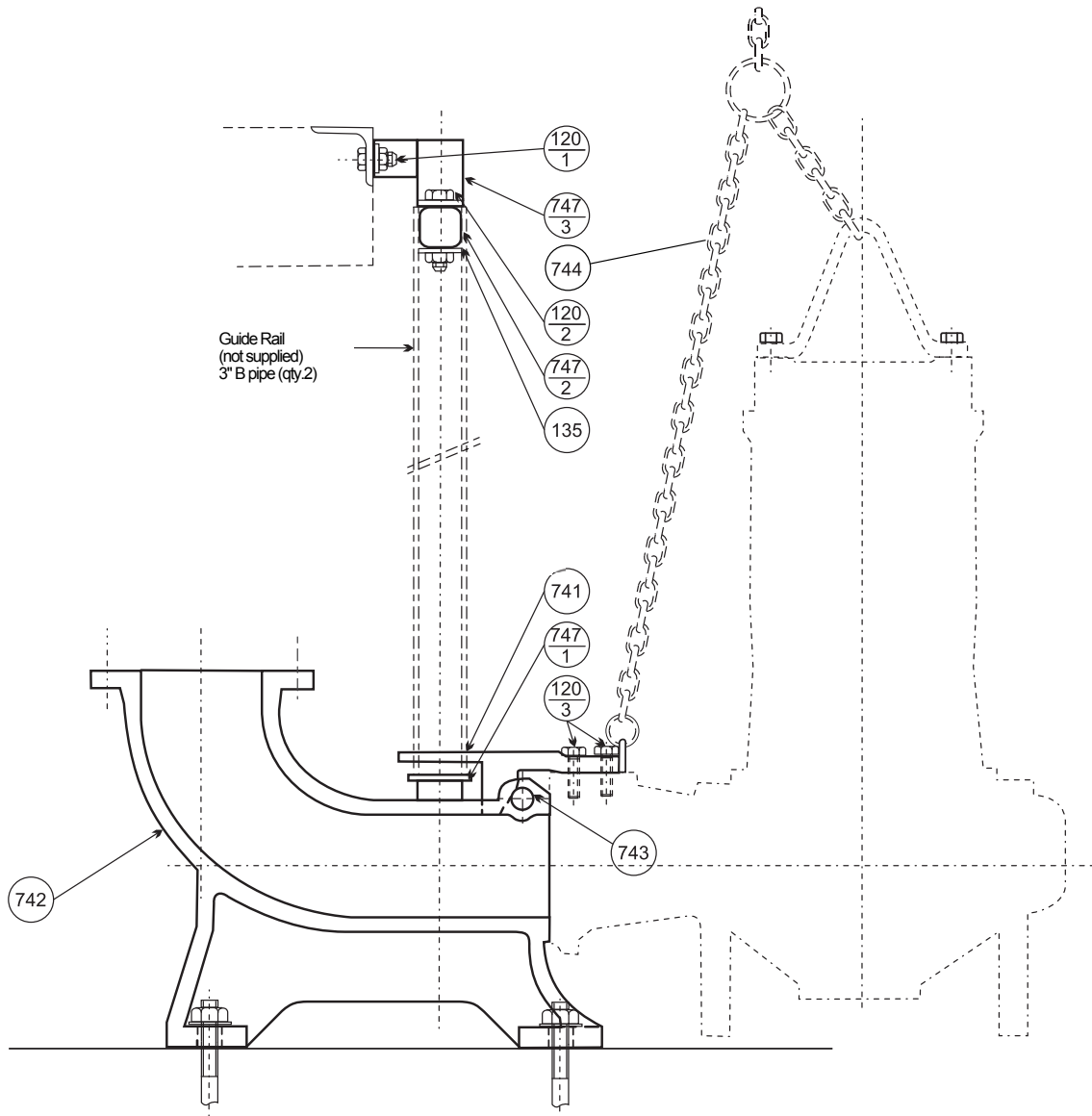
QDC LL125, LL150 (Optional)



N°	PART.NAME	MATERIAL	Q.TY	N°	PART.NAME	MATERIAL	Q.TY
117-2	Gasket	NBR Rubber	1	135	Washer	AISI 304 Stainless Steel	2
117-3	Gasket	NBR Rubber	1	174	Discharge Bend	Cast iron EN-GHJL-200 - EN 1561	1
120-1	Bolt & Nut	AISI 304 Stainless Steel	2	741	Sliding Guide	Spheroidal graphite cast iron EN-GJS-400 - EN 1563	1
120-2	Bolt & Nut	AISI 304 Stainless Steel	2	742	QCD Body	Cast iron EN-GHJL-200 - EN 1561	1
120-3	Bolt & Nut	AISI 304 Stainless Steel	4	743	Suspension Bar	AISI 304 Stainless Steel	1
120-4	Bolt & Nut	AISI 304 Stainless Steel	8	744	Chain	Steel	1
120-5	Bolt	AISI 304 Stainless Steel	4	747-1	Guide Pin	Steel	2
128-1	Nut	AISI 304 Stainless Steel	2	747-2	Guide Pin	NR Rubber	2
130-1	Set Screw	AISI 304 Stainless Steel	1	747-3	Guide Support	Steel	1

Note: Those parts with item number indicated in a □ are supplied with the pump.

QDC LL250, 300 (Optional)



N°	PART.NAME	MATERIAL	Q.TY	N°	PART.NAME	MATERIAL	Q.TY
117-3	Gasket	NBR Rubber	1	742	QCD Body	Cast iron EN-GHJL-200 - EN 1561	1
120-1	Bolt & Nut	AISI 304 Stainless Steel	2	743	Suspension Bar	AISI 304 Stainless Steel	1
120-2	Bolt & Nut	Steel	2	744	Chain	Steel	1
120-3	Bolt	AISI 304 Stainless Steel	4	747-1	Pipe Support	AISI 304 Stainless Steel	1
120-4	Bolt & Nut	AISI 304 Stainless Steel	12 or 16	747-2	Guide Pin	NR Rubber	2
135	Washer	Steel	2	747-3	Guide Support	Steel	1
741	Sliding Guide	Spheroidal graphite cast iron EN-GJS-400 - EN 1563	1				

Note: Those parts with item number indicated in a □ are supplied with the pump.

MECHANICAL SEALS: TYPE A(20÷45), EAN(30÷45)

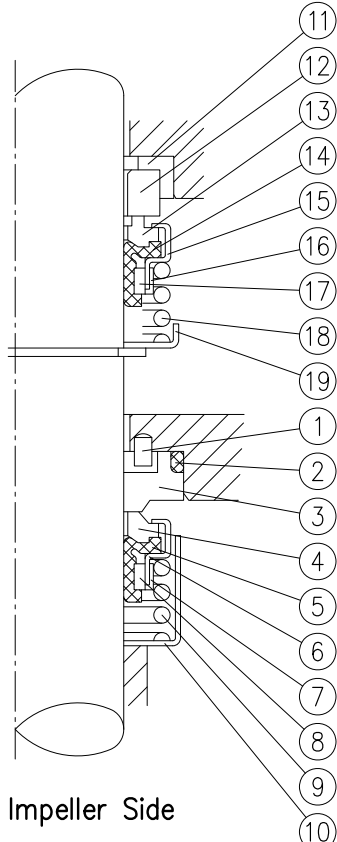
Type A (-20, -25, -30, -35)		
No.	Part Name	Material
1	Packing	NBR Rubber
2	Floating Ring	Ceramic
3	Seal Ring	Carbon Graphite
4	Spring	Aisi 304
5	Seal Ring	Silicon Carbide
6	Floating Ring	Silicon Carbide
7	Packing	NBR Rubber

Type A (-40, -45)		
No.	Part Name	Material
1	Packing	NBR Rubber
2	Seal Ring	Carbon Graphite
3	Floating Ring	Ceramic
4	Snap Ring	Spring Steel
5	Snap Ring	Spring Steel
6	Floating Ring	Silicon Carbide
7	Seal Ring	Silicon Carbide
8	Spring	Aisi 304

Type EAN (-30, -40, -45)		
No.	Part Name	Material
1	Packing	NBR Rubber
2	Floating Ring	Ceramic
3	Seal Ring	Carbon Graphite
4	Spring	Aisi 304
5	Seal Ring	Silicon Carbide
6	Floating Ring	Silicon Carbide
7	Packing	NBR Rubber

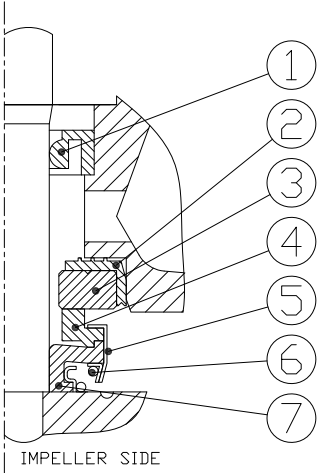
MECHANICAL SEALS: TYPE EAN-60

Type A-60		
No.	Part Name	Material
1	Parallel Pin	AISI 316
2	O - Ring	NBR Rubber
3	Mating Ring	Silicon Carbide
4	Seal Ring	Silicon Carbide
5	Bellows	NBR Rubber
6	Case	AISI 304
7	Case	AISI 304
8	Drive Ring	AISI 304
9	Spring	AISI 304
10	Spring Retainer	AISI 304
11	Packing	NBR Rubber
12	Mating Ring	Ceramics
13	Seal Rings	Carbon
14	Bellows	NBR Rubber
15	Case	AISI 304
16	Case	AISI 304
17	Drive Ring	AISI 304
18	Spring	AISI 304
19	Spring Retainer	AISI 304

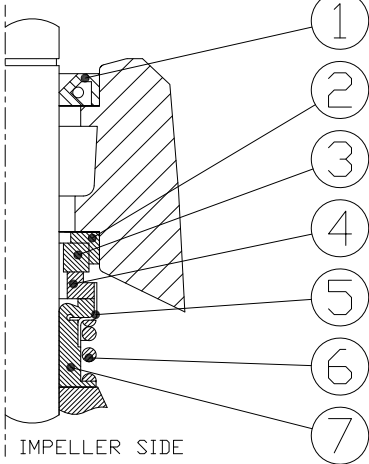


MECHANICAL SEALS

IEC63		
No.	Part Name	Material
1	Lip seal	NBR
2	Paking	NBR
3	Mating Ring	Alumina
4	Seal Ring	Carbon PAC M3X
5	Case	AISI 304
6	Spring	AISI 304
7	Bellows	NBR



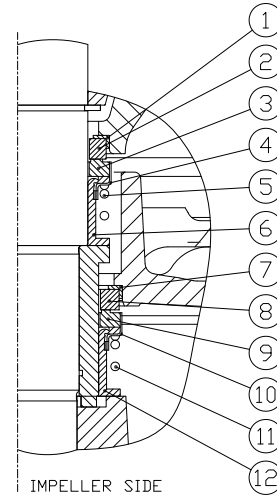
IEC72 –IEC71		
No.	Part Name	Material
1	Lip seal	NBR
2	Paking	NBR
3	Mating Ring	Silicon Carbide
4	Seal Ring	Silicon Carbide
5	Case	AISI 316
6	Spring	AISI 316
7	Bellows	NBR



IEC90 – IEC100		
No.	Part Name	Material
1	Packing	NBR
2	Mating ring	Alumina
3	Seal ring	Resin-impregnated Carbon
4	Case	AISI 304
5	Bellows	NBR
6	Spring	AISI 304
7	Packing	NBR
8	Mating ring	Silicon carbide
9	Seal ring	Silicon carbide
10	Case	AISI 316
11	Spring	AISI 316
12	Bellows	NBR

IEC112 – IEC132		
No.	Part Name	Material
1	Packing	NBR
2	Mating ring	Alumina
3	Seal ring	Resin-impregnated Carbon
4	Case	AISI 304
5	Bellows	NBR
6	Spring	AISI 304
7	Packing	NBR
8	Mating ring	Silicon carbide
9	Seal ring	Silicon carbide
10	Case	AISI 316
11	Spring	AISI 316
12	Bellows	NBR

IEC60-180-200 – IEC250		
No.	Part Name	Material
1	Packing	NBR
2	Mating ring	Ceramic 96%
3	Seal ring	Carbon
4	Case	AISI 316
5	Spring	AISI 316
6	Bellows	NBR
7	Packing	NBR
8	Mating ring	Silicon carbide
9	Seal ring	Silicon carbide
10	Case	AISI 316
11	Spring	AISI 316
12	Bellows	NBR



MECHANICAL SEALS TABLE

DS						
Size	Model	Output [kW]	Mechanical Seal Type	Oil Q.ty [cc]	Bearings	
					Bottom	Top
50	50DS51.5	1,5	A-20	650	6205ZZ	6203ZZ
	50DS52.2	2,2	A-30	1180	6307ZZ	6304ZZ
	50DS53.7	3,7			6308ZZ	
65	65DS51.5	1,5	A-20	650	6205ZZ	6203ZZ
80	80DS52.2	2,2	A-30	1180	6307ZZ	6304ZZ
	80DS53.7	3,7			6308ZZ	
	100DS55.5	5,5				
100	100DS57.5	7,5	A-35	1700	6309ZZ	6306ZZ

DVS						
Size	Model	Output [kW]	Mechanical Seal Type	Oil Q.ty [cc]	Bearings	
					Bottom	Top
50	50DVS15.5	1,5	A-20	650	6205ZZ	6203ZZ
65	65DVS51.5	1,5				
	65DVS52.2	2,2	A-30	1380	6307ZZ	6304ZZ
	65DVS53.7	3,7			6308ZZ	
80	80DVS51.5	1,5	A-20	650	6205ZZ	6203ZZ
	80DVS52.2	2,2	A-30	1380	6307ZZ	6304ZZ
	80DVS53.7	3,7			6308ZZ	

DML						
Size	Model	Output [kW]	Mechanical Seal Type	Oil Q.ty [cc]	Bearings	
					Bottom	Top
80	80DML(V)52.2	2.2	EAN-30	1000	5307ZZ	6205ZZ
	80DML(V)53.7	3.7				
100	100DML53.7	3.7	EAN-40	1570	5309ZZ	6306ZZ
	100DML(V)55.5	5.5				
	100DML(V)57.5	7.5				
	100DML(V)511	11	EAN-45	2900	5310ZZ	6308ZZ
	100DML(V)515	15				
	100DML(V)522	22				
150	150DML55.5	5.5	EAN-40	1570	5309ZZ	6306ZZ
	150DML57.5	7.5				
	150DML511	11	EAN-45	2900	5310ZZ	6308ZZ
	150DML515	15				
	150DML522	22				

DMLV						
Size	Model	Output [kW]	Mechanical Seal Type	Oil Q.ty [cc]	Bearings	
					Bottom	Top
80	80DMLV52.2	2.2	EAN-30	1100	5307ZZ	6205ZZ
	80DMLV53.7	3.7				
100	100DMLV55.5	5.5	EAN-40	1780	5309ZZ	6306ZZ
	100DMLV57.5	7.5				
	100DMLV511	11	EAN-45	3380	5310ZZ	6308ZZ
	100DMLV515	15				
	100DMLV522	22				

DL, DL W/C						
Size	Model	Output [kW]	Mechanical Seal Type	Oil Q.ty [cc]	Bearings	
					Bottom	Top
65	65DL51.5(W/C)	1.5	A-25	920	6306ZZ	6204ZZ
80	80DL51.5(W/C)	1.5				
	80DL52.2(W/C)	2.2	A-30	1380	6307ZZ	6205ZZ
	80DL53.7(W/C)	3.7			6308ZZ	
	80DLC55.5	5.5	A-40	2500	6309ZZ	6306ZZ
80DLC57.5	7.5					
100	100DL53.7(W/C)	3.7	A-30	1380	6308ZZ	6205ZZ
	100DLB55.5(W/C)	5.5				
	100DLC55.5	5.5	A-40	2500	6309ZZ	6306ZZ
	100DLB57.5(W/C)	7.5				
	100DLC57.5	7.5				
	100DL511	11	A-45	6200	6315ZZ	6309ZZ
	100DL515	15				
	100DL518.5	18.5				
150	150DL55.5	5.5	A-40	2500	6309ZZ	6306ZZ
	150DL57.5	7.5				
	150DL511	11	A-45	6200	6315ZZ	6308ZZ
	150DL515	15				
	150DL518.5	18.5				
	150DL522	22	A-60	8900	6315ZZDR	6310ZZ
	150DL530	30				
	150DL537	37				
	150DL545	45				
	200	200DL55.5	5.5	A-40	2500	6309ZZ
200DL57.5		7.5				
200DL511		11	A-45	6200	6315ZZ	6309ZZ
200DL515		15				
200DL518.5		18.5				
200DL522		22	A-60	8900	6315ZZDR	6310ZZ
200DL530		30				
200DL537		37				
200DL545		45				
250		250DL57.5	7.5	A-40	2500	6309ZZ
	250DL511	11				
	250DL515	15	A-45	6200	6315ZZ	6309ZZ
	250DL518.5	18.5				
	250DL522	22				
	250DL530	30	A-60	9000	6315ZZDR	6310ZZ
	250DL537	37				
	250DL545	45				
300DL511	11					
300	300DL515	15	A-45	6200	6315ZZ	6309ZZ
	300DL518.5	18.5				
	300DL522	22				
	300DL530	30	A-60	9000	6315ZZDR	6310ZZ
	300DL537	37				
	300DL545	45				

DSF						
Size	Model	Output [kW]	Mechanical Seal Type	Oil Q. ty [cc]	Bearings	
					Bottom	Top
40	40DSF51,8M (150)	1.8	IEC 71	260	6304 2RS2/C3	6303 2RS1/C3
	40DSF51,1M (125)	1.1	IEC 71	260	6304 2RS2/C3	6303 2RS1/C3
	40DSF55,7 (192)	5.7	IEC 100	330	6306 2RS1/C3	6305 2RS1/C3
65	65DSF515,9 (230)	15.9	IEC 132	1900	3308A-2RS1TN9/MT33	6308 2RS

DMLF						
Size	Model	Output [kW]	Mechanical Seal Type	Oil Q. ty [cc]	Bearings	
					Bottom	Top
50	50DMLF51,1M (120)	1.1	IEC 72	240	3304 A 2RS1-TN9C3-MT33	6303 2RS1/C3
65	65DMLF51,1M (135)	1.1	IEC 71	260	6304 2RS1/C3	6303 2RS1/C3
	65DMLF51,8M (125)	1.8	IEC 71	260	3304 A 2RS1-TN9C3-MT33	6303 2RS1/C3

DMLVF						
Size	Model	Output [kW]	Mechanical Seal Type	Oil Q. ty [cc]	Bearings	
					Bottom	Top
32	32DMLVF50,5M (90)	0.5	IEC 63	160	6202 2Z C3	6200 2Z C3
50	50DMLVF51,1M (130)	1.1	IEC 71	260	6304 2RS1/C3	6303 2RS1/C3
	50DMLVF51,8M (140)	1.8	IEC 71	260	6304 2RS1/C3	6303 2RS1/C3
	50DMLVF51,8M (155)	1.8	IEC 71	260	6304 2RS1/C3	6303 2RS1/C3
	65DMLVF51,9M (109)	1.9	IEC 71	260	6304 2RS1/C3	6303 2RS1/C3
80	80DMLVF54,6 (206)	4.6	IEC 100	330	6306 2RS1/C3	6305 2RS1/C3
	80DMLVF518,2 (188)	18.2	IEC 132	1900	3308A-2RS1TN9/MT33	6308 2RS
	80DMLVF518,2 (225)	18.2	IEC 132	1900	3308A-2RS1TN9/MT33	6308 2RS
100	100DMLVF55,2 (260)	5.2	IEC 112	1900	3307A-2RS1TN9/MT33	6307 2RS1/C3
150	150DMLVF511 (360)	11	IEC 180	2850	3311 2RS	6307 2RS1/C3
	150DMLVF513,6 (400)	13.6	IEC 180	2850	3311 2RS	6307 2RS1/C3
	150DMLVF525 (340)	25	IEC 180	2850	3311 2RS	6307 2RS1/C3
	150DMLVF535,7 (360)	35.7	IEC 180	2850	3311 2RS	6307 2RS1/C3

50DS

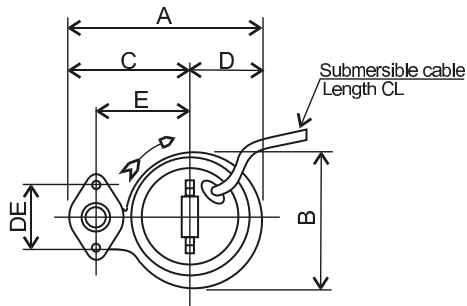


Figure 1

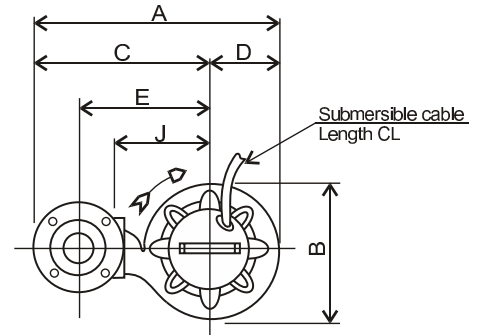
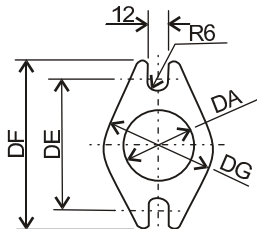
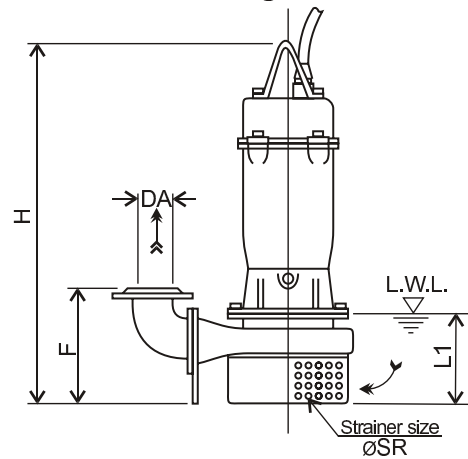
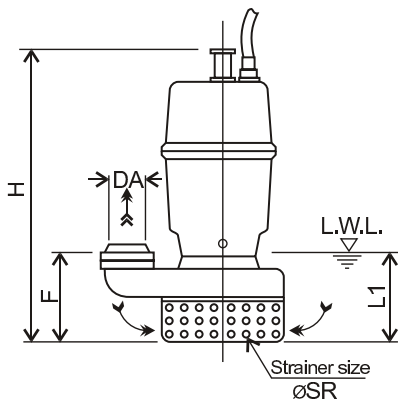
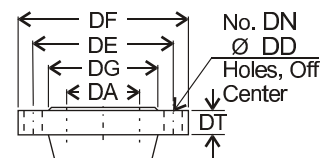


Figure 2



Oval Flange

Discharge flange dimensions [mm] - EN 1092-2							
Type	DA	DE	DF	DG	DT	DN	DD
Round	50	96	114	76	-	-	-
	65	145	185	118	17	4	19
	80	160	200	132	19	8	19
	100	180	220	156	21	8	19



Round Flange

Dimensions [mm]																		
Size DA	Model	Fig.	Flange Type	Output [kW]	DA	A	B	C	D	E	F	H	DE	J	L1 (*)	ØSR	CL [m]	Weight [kg]
50	50DS51.5	1	Oval	1.5	G2"	266	200	168	98	130	115	450	96	-	120	10	6	25
	2.2			50	433	245	313	120	235	198	619	-	180	160	10		55	
	3.7			50	433	245	313	120	235	198	619	-	180	160	10		61	
65	65DS51.5	2	Round	1.5	65	407	210	303	104	215	197	503	-	150	120	10	6	35
	2.2			80	503	268	368	135	275	215	625	-	200	160	10		59	
	3.7			80	503	268	368	135	275	215	625	-	200	160	10		64	
100	100DS55.5	2	Round	5.5	100	615	309	460	155	355	257	730	-	250	200	13	10	92
	7.5			100	615	309	460	155	355	257	730	-	250	200	13		104	
	7.5			100	615	309	460	155	355	257	730	-	250	200	13		104	

- L.W.L (Low Water Level)
- (*) - Operation is limited to 10 minutes at L.W.L.
- Operation is limited to 30 minutes with water level below top of motor

DS with QDC (1.5÷3.7 kW)

Figure 1

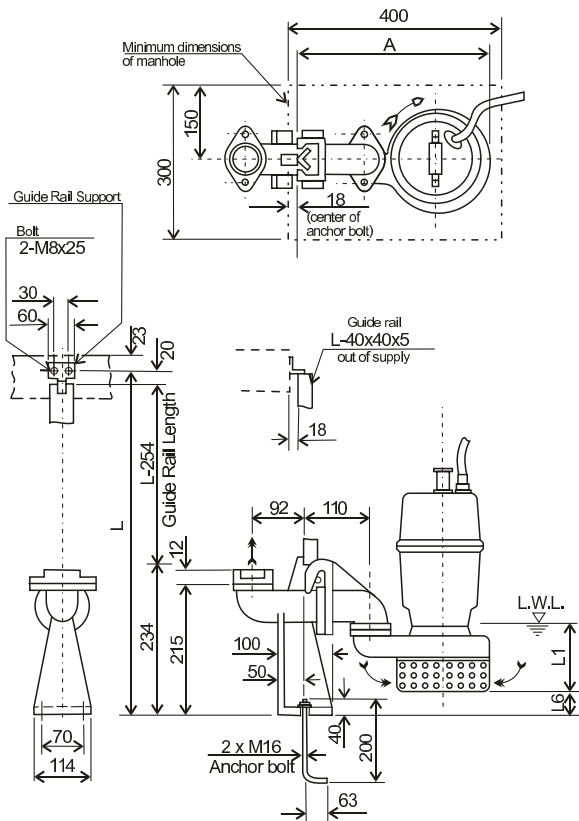
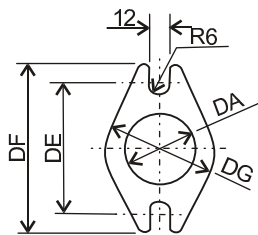
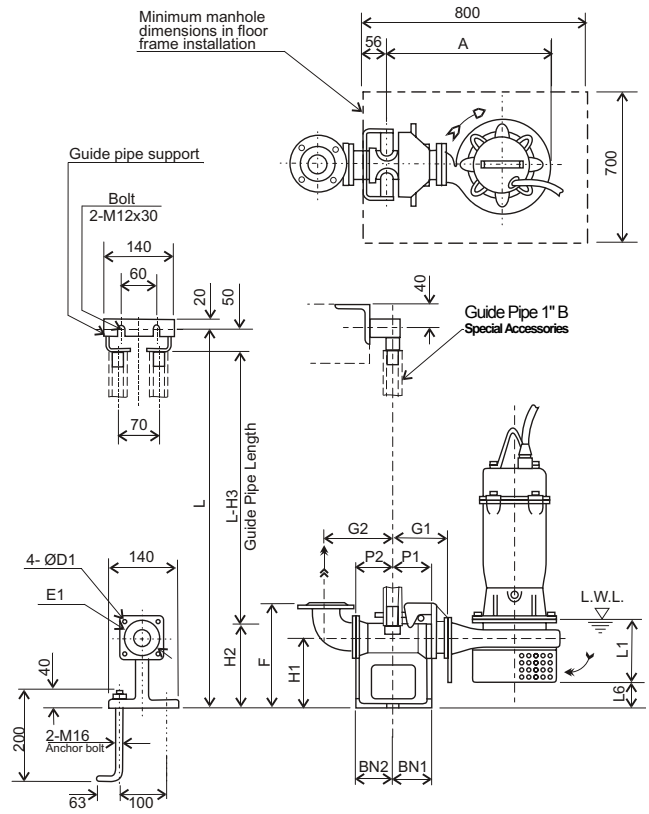
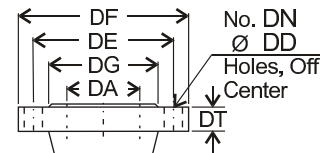


Figure 2



Oval Flange

Discharge flange dimensions [mm] - EN 1092-2							
Type	DA	DE	DF	DG	DT	DN	DD
Oval	50	96	114	76	-	-	-
		125	165	99			
Round	65	145	185	118	17	4	19
	80	160	200	132	19	8	

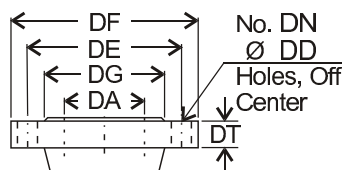
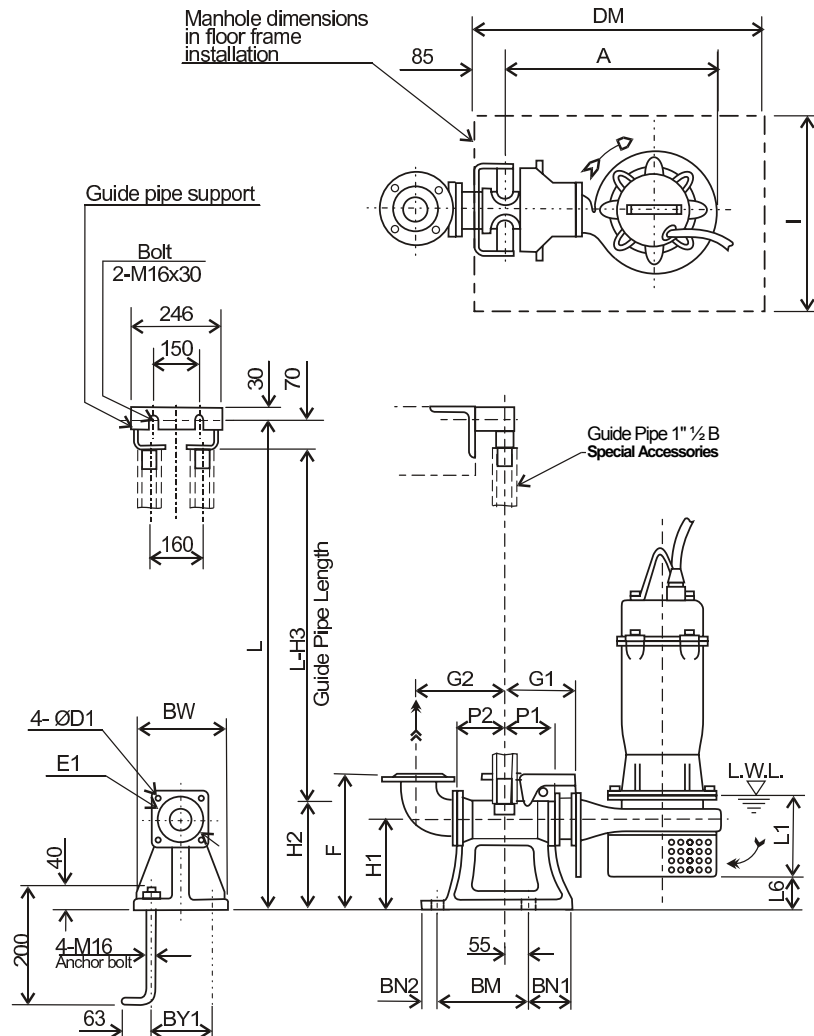


Round Flange

Dimensions [mm]																							
Size	Model	Fig.	Flange Type	Output [kW]	DA	A	P1	P2	G1	G2	F	H1	H2	H3	L1 (*)	L6	BN1	BN2	D1	E1	QDC Model	Weight [kg]	
50	50DS51.5	1	Oval	1.5	G2"	-	-	-	-	-	-	-	-	-	120	25	-	-	-	-	LS50	9	
	2.2			50	415	75	80	115	135	230	135	165	215	160	32			80	12	120	LM50	11	
	3.7																						
65	65DS51.5	2	Round	1.5	65	374	75	95	120	160	250	145	190	240	120	53	75		95	12	140	LM65	14
80	80DS52.2			2.2	80	460	75	90	125	165	285	175	230	280	160	70			90	15	155	LM80	17
	80DS53.7			3.7																			

(*) - L.W.L (Low Water Level)
 - Operation is limited to 10 minutes at L.W.L.
 - Operation is limited to 30 minutes with water level below top of motor

DS (5.5÷7.5 kW) with QDC

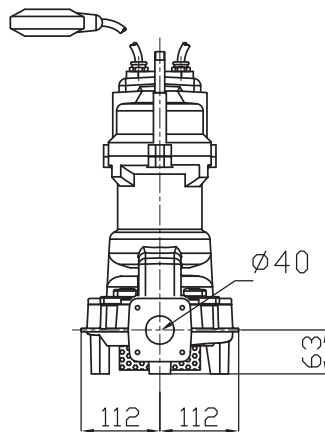
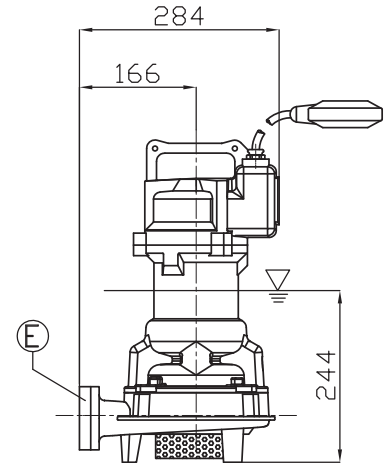
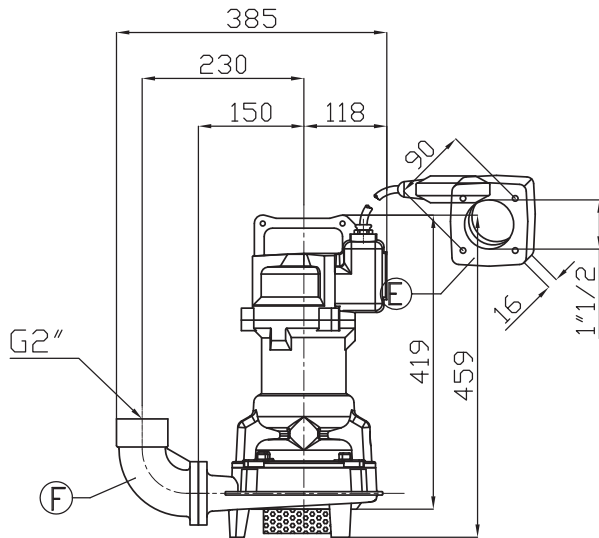


Type	DA	DE	DF	DG	DT	DN	DD
Round	100	180	220	156	21	8	19

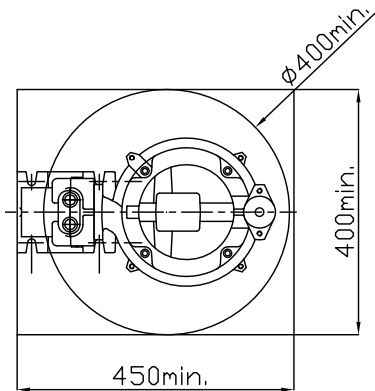
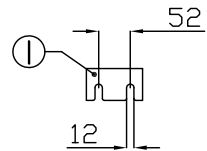
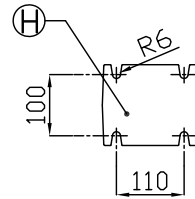
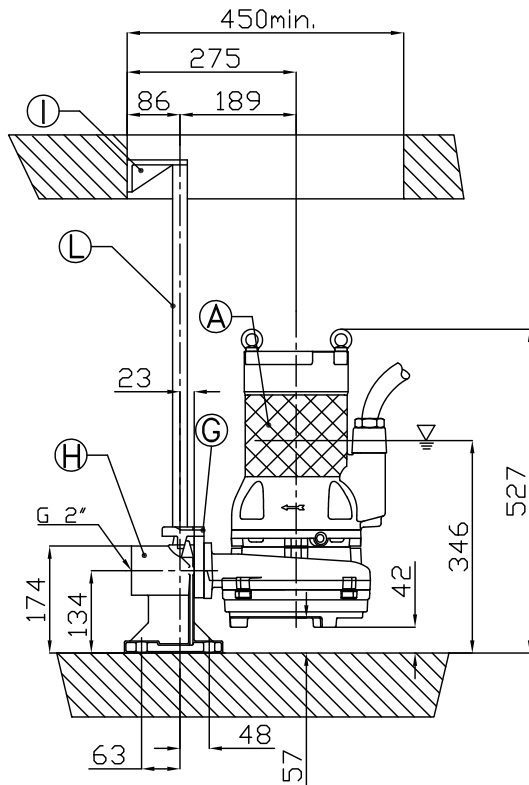
Dimensions [mm]																								
Size DA	Model	Output [kW]	A	P1	P2	G1	G2	F	H1	H2	H3	L1 (*)	L6	BN1	BN2	BM	BY1	BW	DM	I	D1	E1	QDC	
																							Model	Weight [kg]
100	100DS55.5	5.5	590	105	105	185	210	365	240	265	335	200	108	100	40	220	180	230	800	700	19	175	LL100	46
	100DS57.5	7.5																						

(*) - L.W.L (Low Water Level)
 - Operation is limited to 10 minutes at L.W.L.
 - Operation is limited to 30 minutes with water level below top of motor

40DSF/40DSF with QDC (1.5÷1.9 kW)



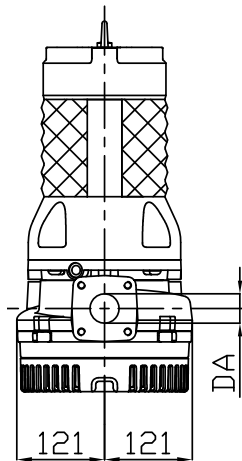
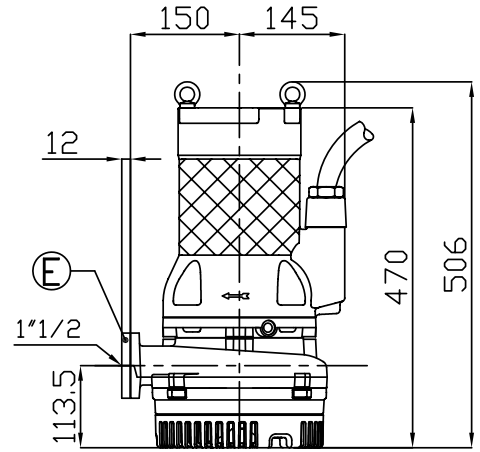
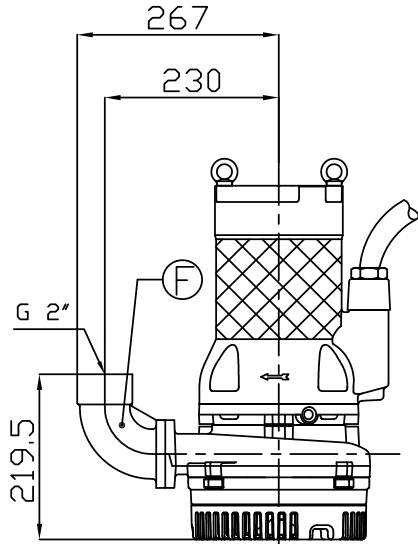
Size DA	Model	Output [kW]	Weight [kgf]
40	40DSF51.5M2CG	1.5	38
	40DSF51.9M2AG	1.9	38



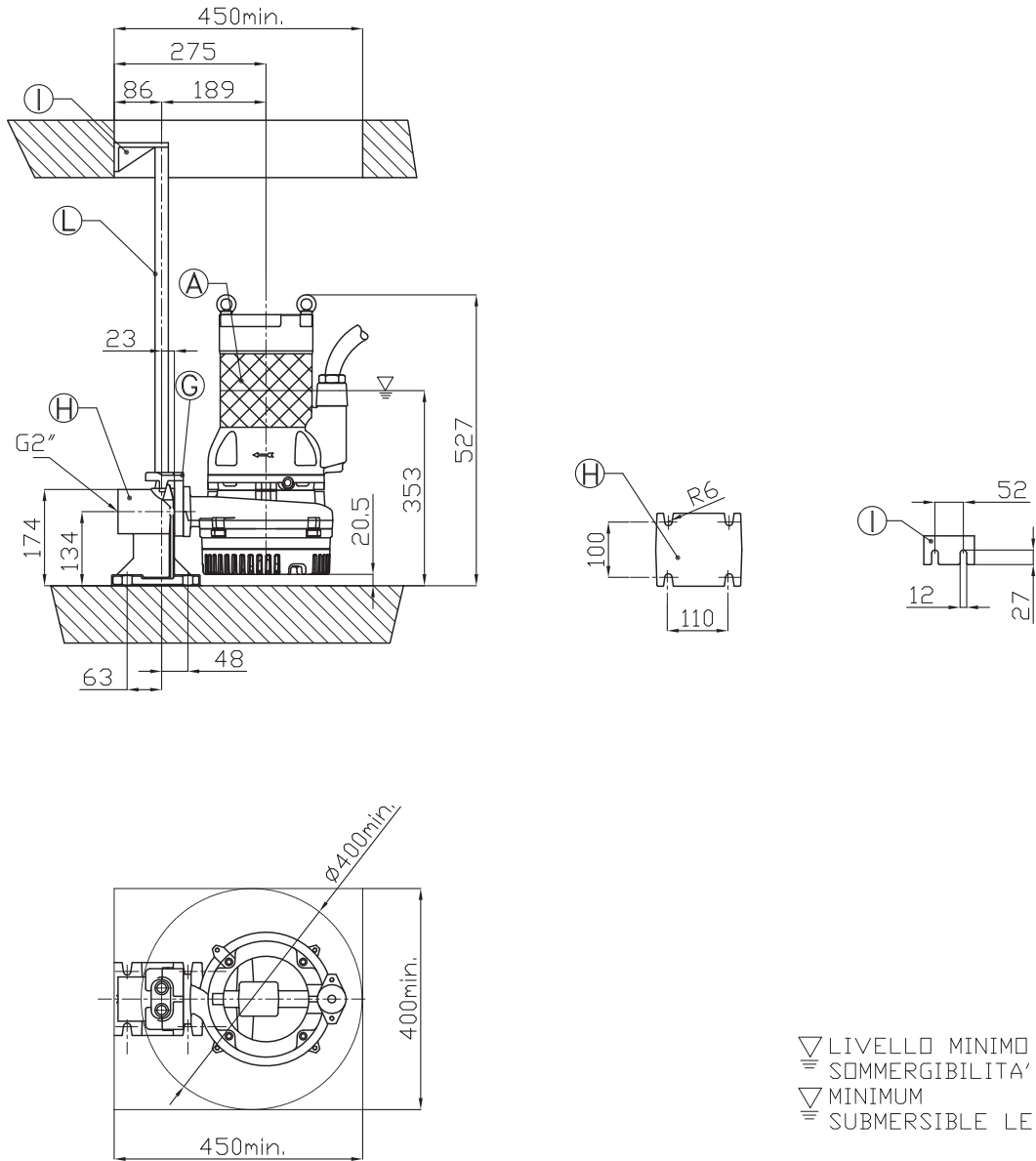
▽ LIVELLO MINIMO DI
 ≡ SOMMERSIBILITA'
 ▽ MINIMUM
 ≡ SUBMERSIBLE LEVEL

POSITION	DESCRIPTION	MATERIAL	WEIGHT [kgf]
A	SUBMERSIBLE PUMP	-	-
B	RUBBER JOINT DN50	NEOPRENE	-
E	THREADED FLANGE 1" 1/2	G250 CAST-IRON	1
F	THREADED ELBOW 90° 2"	G250 CAST-IRON	3
G	DOUBLE GUIDE RAIL COUPLING FEET DN50	G250 CAST IRON	1.5
H	DOUBLE GUIDE CUOPLING FEET DN50	G250 CAST-IRON	6
I	DOUBLE GUIDE RAIL UPPER SUPPORT 3/4	G250 CAST-IRON	1.1
L	GUIDE RAIL 3/4"	GALVANIZED STEEL	-

40DSF/40DSF with QDC (6.0 kW)



Size DA	Model	Output [kW]	Weight [kgf]
40	40DSF56T2AG	6	68



POSITION	DESCRIPTION	MATERIAL	WEIGHT [kgf]
A	SUBMERSIBLE PUMP	-	-
B	RUBBER JOINT DN50	NEOPRENE	-
E	THREADED FLANGE 1" 1/2	G250 CAST-IRON	1
F	THREADED ELBOW 90° 2"	G250 CAST-IRON	3
G	DOUBLE GUIDE RAIL COUPLING FLANGE DN50	G250 CAST IRON	1.5
H	DOUBLE GUIDE CUOPLING FEET DN50	G250 CAST-IRON	6
I	DOUBLE GUIDE RAIL UPPER SUPPORT 3/4	G250 CAST-IRON	1.1
L	GUIDE RAIL 3/4"	GALVANIZED STEEL	-

DVS

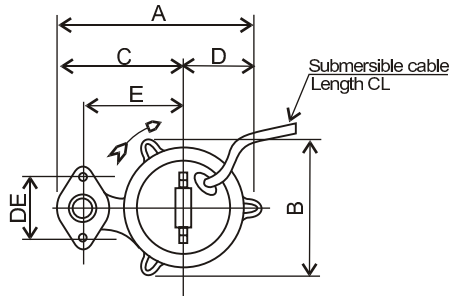


Figure 1

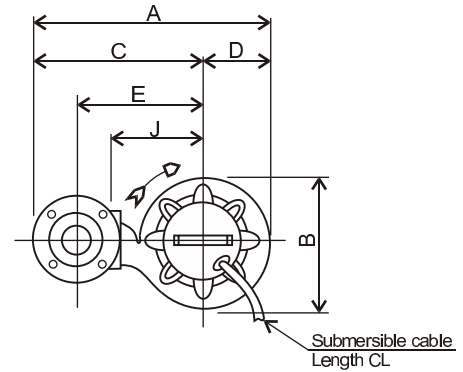
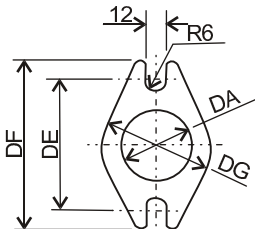
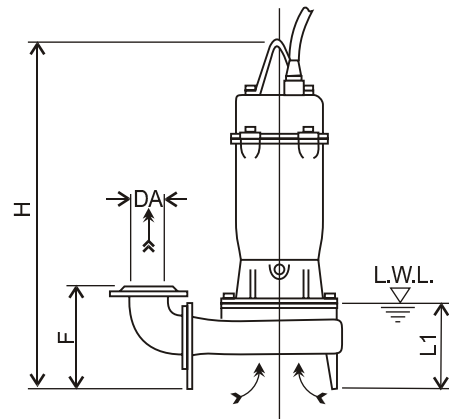
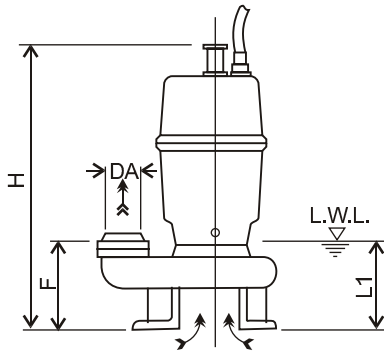
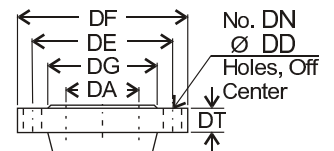


Figure 2



Oval Flange

Discharge flange dimensions [mm] - EN 1092-2							
Type	DA	DE	DF	DG	DT	DN	DD
Oval	50	96	114	76	-	-	-
Round	65	145	185	118	17	4	19
	80	160	200	132	19	8	



Round Flange

Dimensions [mm]																		
Size DA	Model	Fig.	Flange Type	Output [kW]	DA	A	B	C	D	E	F	H	DE	J	L1 (*)	CL [m]	Weight [kg]	
50	50DVS51.5	1	Oval	1.5	G2"	249	171	163	86	125	82	439	96	-	105	6	27	
65	65DVS51.5	2	Round	1.5	65	396	195	298	98	210	178	519	-	145	125		10	34
	2.2			160										155	50			
	3.7			185										155	59			
80	80DVS51.5	2	Round	1.5	80	411	195	313	98	220	183	519	-	145	125	6	35	
	2.2			160										155	51			
	3.7			227										155	60			

- (*) - L.W.L (Low Water Level)
- Operation is limited to 10 minutes at L.W.L.
- Operation is limited to 30 minutes with water level below top of motor

DVS with QDC

Figure 1

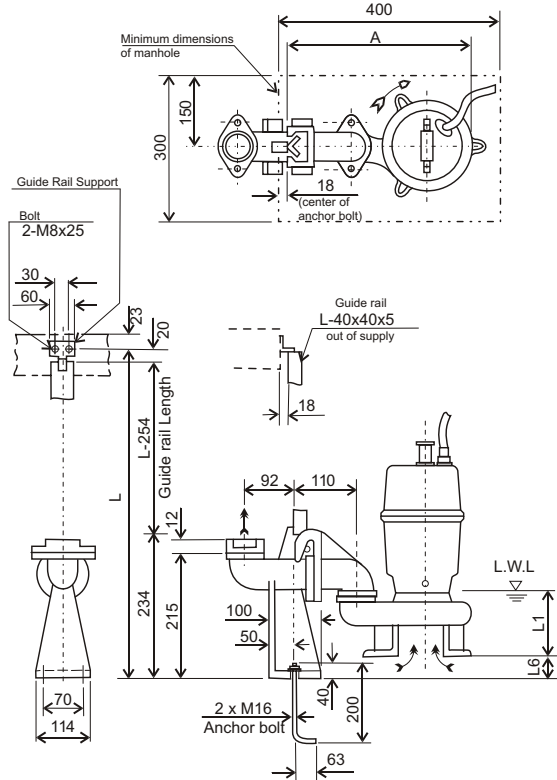
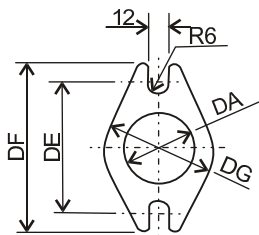
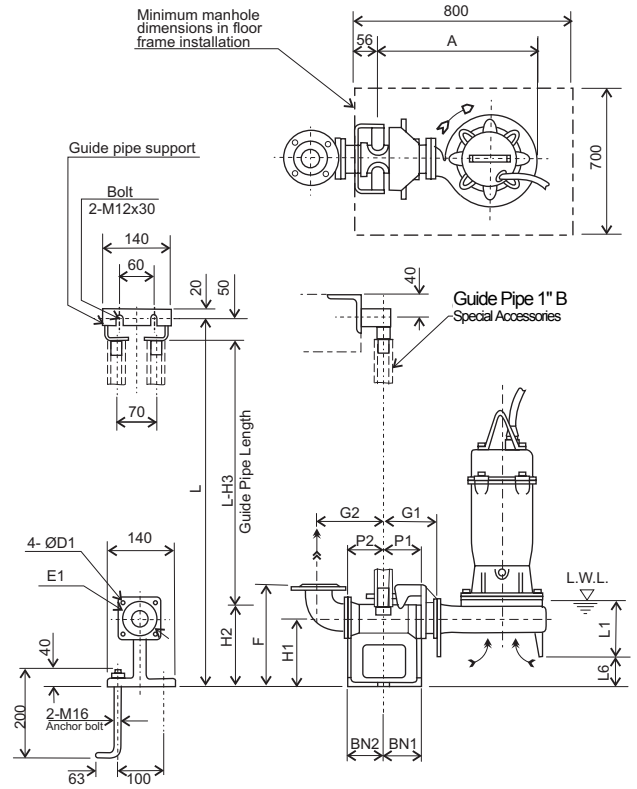
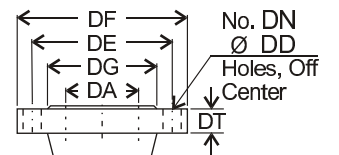


Figure 2



Oval Flange

Type	DA	DE	DF	DG	DT	DN	DD
Oval	50	96	114	76	-	-	-
Round	65	145	185	118	17	4	19
	80	160	200	132	19	8	19

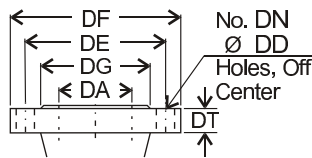
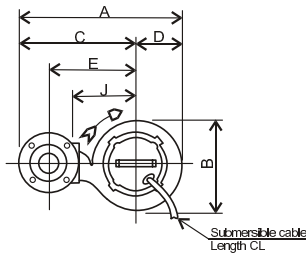
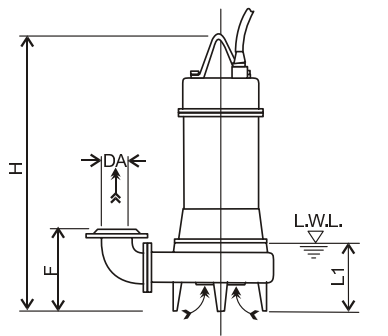


Round Flange

Dimensions [mm]																					
Size	Model	Fig.	Flange Type	Output [kW]	A	P1	P2	G1	G2	F	H1	H2	H3	L1 (*)	L6	BN1	BN2	D1	E1	QDC Model	QDC Weight [kg]
50	50DVS51.5	1	Oval	1.5	311	-	-	-	-	-	-	-	-	105	58	-	-	-	-	LS50	9
65	65DVS51.5	2	Round	1.5	363	75	95	120	160	250	145	190	240	125	72	75	95	12	140	LM65	14
	2.2			394	155									49							
	3.7			394	125									72							
	3.7			394	155									49							
80	80DVS51.5	2	Round	1.5	363	75	95	120	170	255	145	190	240	125	72	75	95	12	140	LM65	14
	2.2			394	155									49							
	3.7			394	155									49							

- (*) - L.W.L (Low Water Level)
- Operation is limited to 10 minutes at L.W.L.
- Operation is limited to 30 minutes with water level below top of motor

DL

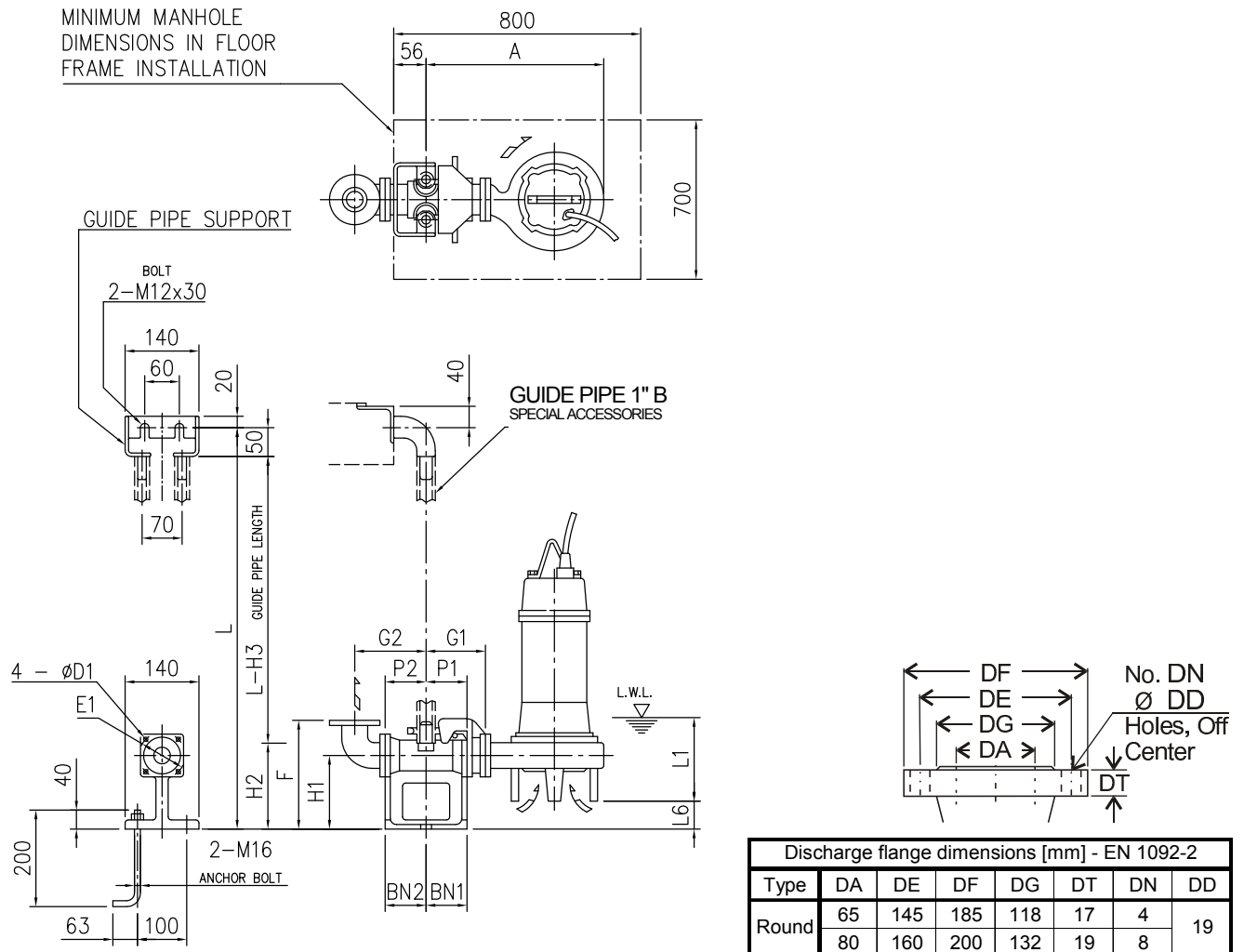


Discharge flange dimensions [mm] - EN 1092-2							
Type	DA	DE	DF	DG	DT	DN	DD
Round	65	145	185	118	17	4	19
	80	160	200	132	19	8	
	100	180	220	156	21		
	150	240	285	211	23		23
	200	295	340	266	25		
	250	350	395	319	25		
	300	400	445	370	24	12	

Dimensions [mm]													Weight [kg]
Size DA	Model	Output [kW]	A	B	C	D	E	F	H	J	L1 (*)	CL [m]	
65	65DL51.5	1.5	497	291	353	144	265	200	576	200	140	10	52
80	80DL51.5	1.5	524	292	378	146	285	220	597	210	165		55
	80DL52.2	2.2	542	308	388	154	295		654	220			67
	80DL53.7	3.7	567	328	403	164	310	687	235	75			
	80DLC55.5	5.5	618	379	428	190	335	307	753	260	134		
	80DLC57.5	7.5	648	399	448	200	355	305	751	280	148		
100	100DL53.7	3.7	614	335	445	169	340	250	706	235	185		79
	100DLB55.5	5.5	646	369	460	186	355	323	768	250	123		
	100DLC55.5	5.5	660	379	470	190	365	322	753	260	134		
	100DLB57.5	7.5	673	385	480	193	375	323	760	270	141		
	100DLC57.5	7.5	690	399	490	200	385	320	751	280	148		
	100DL511	11	701	402	500	201	395	323	859	290	180		
	100DL515	15	741	441	520	221	415	330	954	310	230		
	100DL518.5	18.5							958		285		
150	150DL55.5	5.5	750	398	550	200	410	381	799	280	10	146	
	150DL57.5	7.5	780	418	570	210	430	377	784	300		158	
	150DL511	11	810	438	590	220	450		883	320		199	
	150DL515	15						972	237				
	150DL518.5	18.5	848	476	610	238	470	381	979	340		300	
	150DL522	22										325	
	150DL530	30	912	520	650	262	510	468	1284	360		486	350
	150DL537	37							1404			494	350
	150DL545	45							350				
200	200DL55.5	5.5	832	430	615	217	450	414	826	300		10	160
	200DL57.5	7.5	863	453	635	228	470	410	809	320			176
	200DL511	11							908				212
	200DL515	15	896	479	655	241	490	411	995	340	260		
	200DL518.5	18.5	932	512		257		415	1001		340		305
	200DL522	22											330
	200DL530	30	937	520	675		510		1284	360	486		350
	200DL537	37							262		483		494
	200DL545	45							370				
250	250DL57.5	7.5	969	525	700	269	500	622	904	370	10		260
	250DL511	11	993	541	720	273	520	634	1000	390			320
	250DL515	15	1007	549	730	277	530	646	1086	400			380
	250DL518.5	18.5							1089			420	
	250DL522	22	1125	660	790	335	590	706	1336	460		538	440
	250DL530	30							1475			565	458
	250DL537	37							522				
	250DL545	45	540										
	300	300DL511	11	1100	588	798	302	575	671	1050		420	10
300DL515		15	1131							440			
300DL518.5		18.5	1135	618	818	317	595	668	1336	460		440	
300DL522		22										465	
300DL530		30	1172	660	838	335	615	726	1475	538	458		
300DL537		37							565	522			
300DL545	45	540											

(*) -L.W.L (Low Water Level)
 -Operation is limited to 10 minutes at L.W.L.
 -Operation is limited to 30 minutes with water level below top of motor

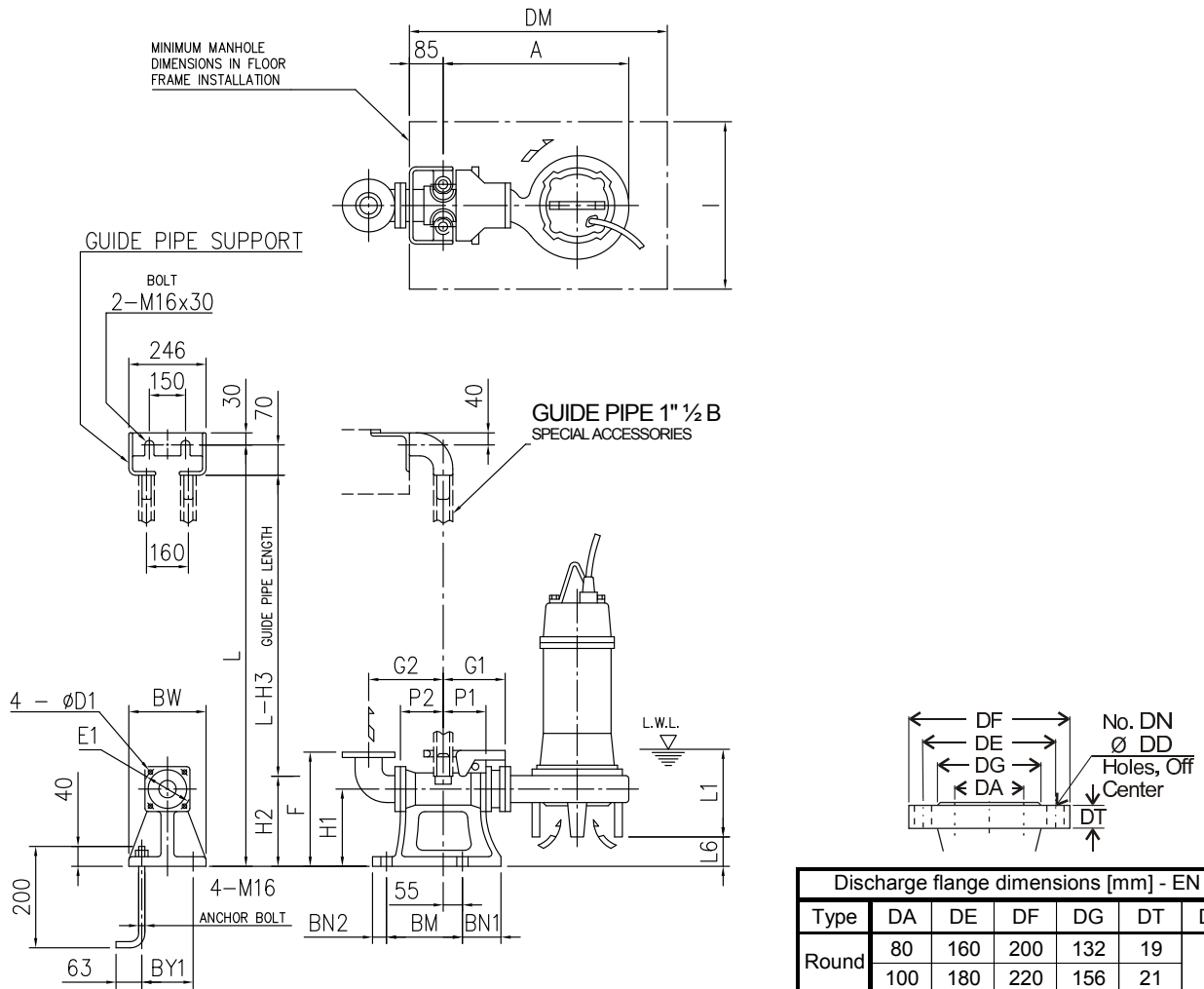
65DL, 80DL (1.5÷3.7 kW) with QDC



Dimensions [mm]																			
Size DA	Model	Output [kW]	A	P1	P2	G1	G2	F	H1	H2	H3	L1 (*)	L6	BN1	BN2	D1	E1	QDC	
																		Model	Weight [kg]
65	65DL51.5	1.5	464	75	95	120	160	250	145	190	240	140	50	75	95	12	140	LM65	14
	80DL51.5	1.5	481		90	125	165	285	175	230	280	165	65		90	15	155	LM80	17
80	80DL52.2	2.2	499		90	125	165	285	175	230	280	165	65		90	15	155	LM80	17
	80DL53.7	3.7	524		90	125	165	285	175	230	280	165	65		90	15	155	LM80	17

- L.W.L (Low Water Level)
- (*) - Operation is limited to 10 minutes at L.W.L.
- Operation is limited to 30 minutes with water level below top of motor

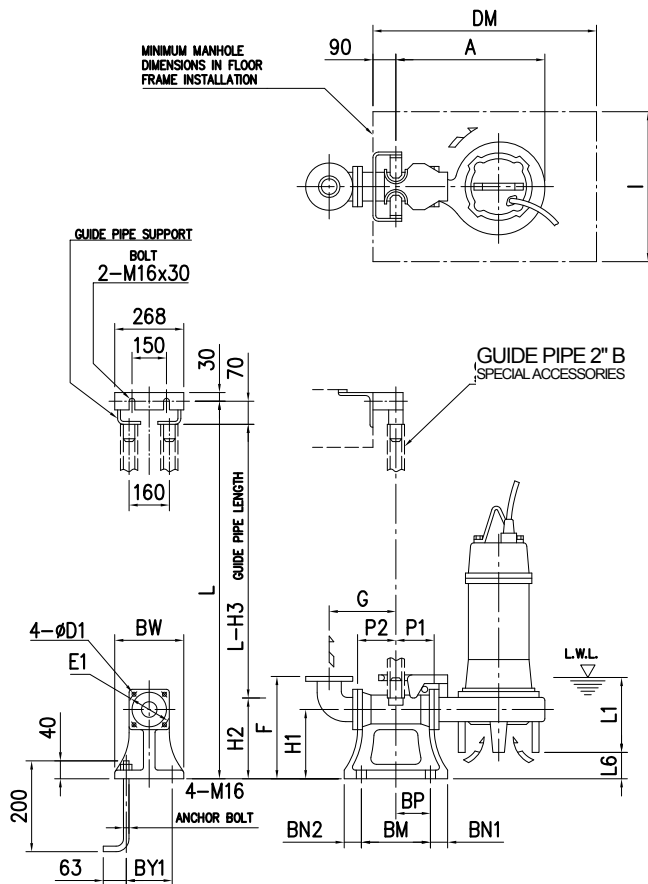
80DL (5.5÷7.5), 100DL with QDC



Dimensions [mm]																															
Size DA	Model	Output [kW]	A	P1	P2	G1	G2	F	H1	H2	H3	L1 (*)	L6	BN1	BN2	BM	BY1	BW	DM	I	QDC										
																					D1	E1	Model	Weight [kg]							
80	80DLC55.5	5.5	635		120		195	350		255	325	205	43									15	155	LL80	44						
	80DLC57.5	7.5	665										45									19	175	LL100	46						
100	100DL53.7	3.7	589	105	105	185	210	365	240	265	335	185	115	100	40	220	180	230	800	700		19	175	LL100	46						
	100DLB55.5	5.5	621		42								15									155	LL80	44							
	100DLC55.5	5.5	635		120	225	210			205	43	15	155	LL80	44																
	100DLB57.5	7.5	648		105						42					19	175	LL100	46												
	100DLC57.5	7.5	665		120	225	210			205	45	15	155	LL80	44																
	100DL511	11	676		716	105	210			265	335	42	1000																		
	100DL515	15	35									19																	175	LL100	46
	100DL518.5	18.5	35									19																	175	LL100	46

- L.W.L (Low Water Level)
- Operation is limited to 10 minutes at L.W.L.
- (*) - Operation is limited to 30 minutes with water level below top of motor

150DL, 200DL with QDC

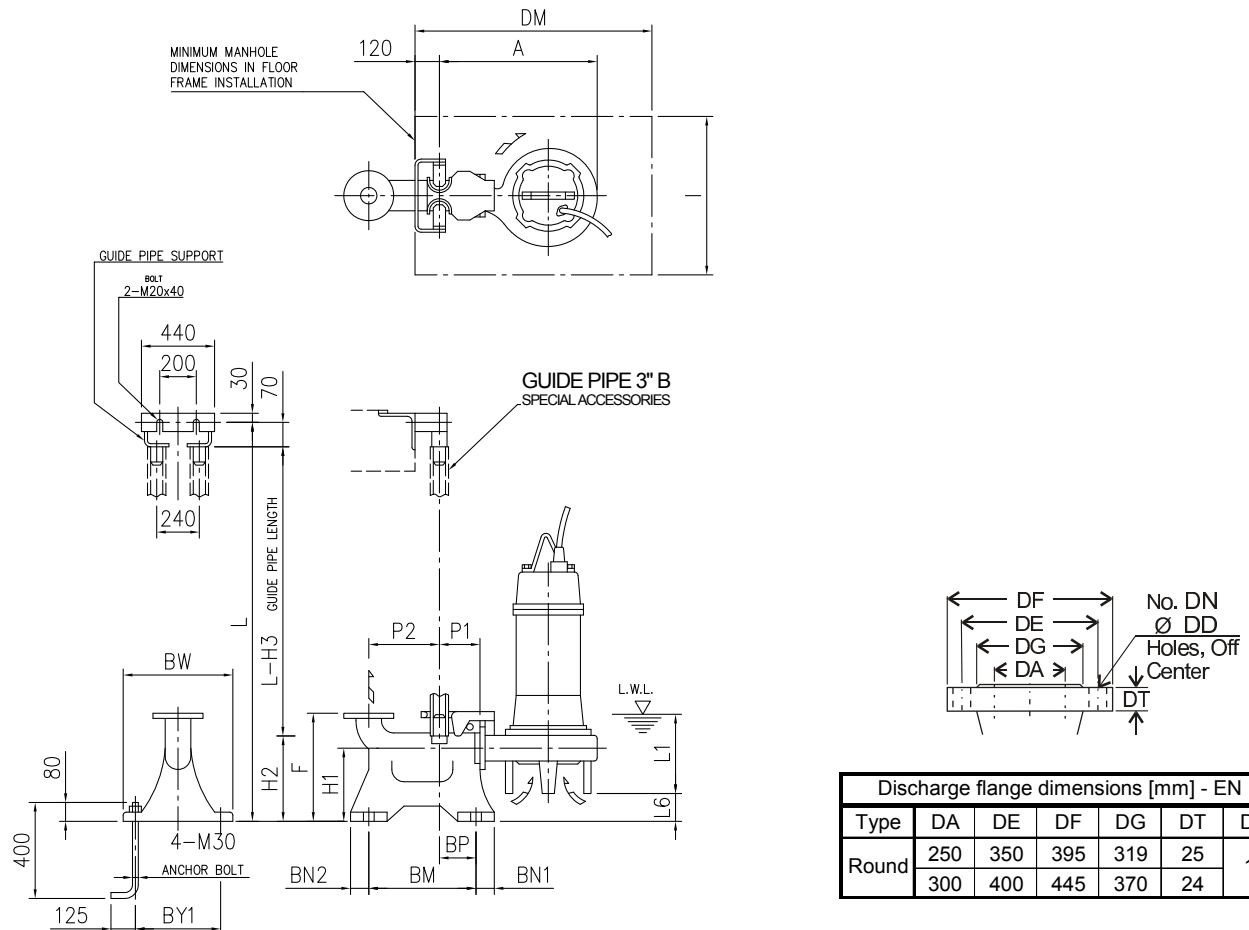


Type	DA	DE	DF	DG	DT	DN	DD
Round	150	240	285	211	23	8	23
	200	295	340	266			

Dimensions [mm]																								
Size DA	Model	Output [kW]	A	P1	P2	G	F	H1	H2	H3	L1 (*)	L6	BN1	BN2	BM	BP	BY1	BW	DM	I	D1	E1	QDC	
																							Model	Weight [kg]
150	150DL55.5	5.5	635	155	195	325	450	290	362	432	245	69	60	60	370	165	280	330	1000	700	210	LL125	65	
	150DL57.5	7.5	665									73												
	150DL511	11	695									77												
	150DL515	15	733									77												
	150DL518.5	18.5	733									77												
	150DL522	22	733									77												
	150DL530	30	777									288												
	150DL537	37	777									296												
	150DL545	45	777									296												
	200DL55.5	5.5	672									205												355
200DL57.5	7.5	703	85																					
200DL511	11	736	84																					
200DL515	15	736	84																					
200DL518.5	18.5	772	80																					
200DL522	22	772	80																					
200DL530	30	777	288																					
200DL537	37	777	296																					
200DL545	45	777	296																					

(*) - L.W.L (Low Water Level)
 - Operation is limited to 10 minutes at L.W.L.
 - Operation is limited to 30 minutes with water level below top of motor

250DL, 300DL with QDC

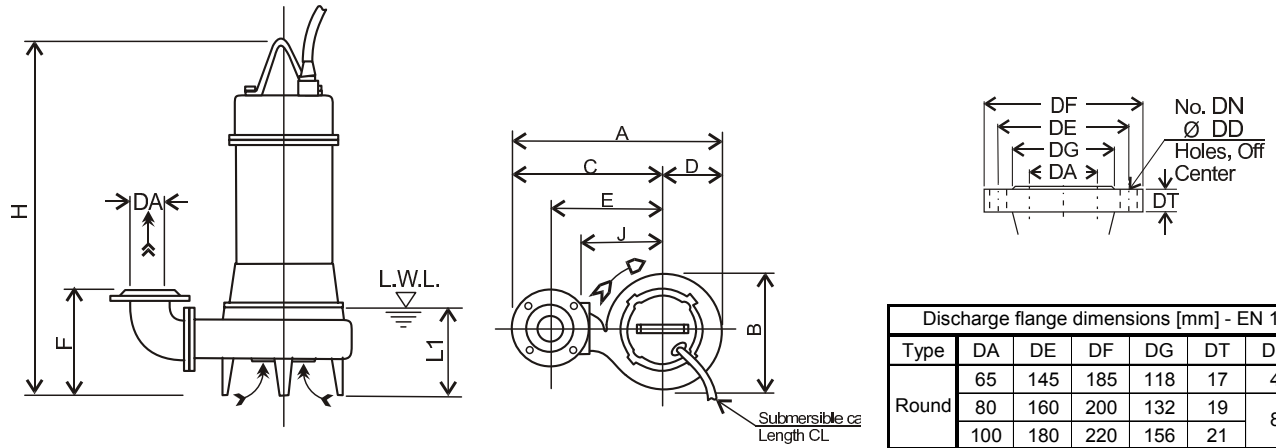


Type	DA	DE	DF	DG	DT	DN	DD
Round	250	350	395	319	25	12	23
	300	400	445	370	24		

Dimensions [mm]																					
Size DA	Model	Output [kW]	A	P1	P2	F	H1	H2	H3	L1 (*)	L6	BN1	BN2	BM	BP	BY1	BW	DM	I	QDC	
																				Model	Weight [kg]
250	250DL57.5	7.5	834	195	435	700	350	440	510	400	58	70	70	650	500	560	1200	900	LL250	150	
	250DL511	11	858								46										
	250DL515	15	872								34										
	250DL518.5	18.5	872								34										
	250DL522	22	872								34										
	250DL530	30	990								292										300
	250DL537	37	990								319										300
250DL545	45	990	319	300																	
300	300DL511	11	917	465	800	430	550	620	450	109	70	70	680	580	640	1200	900	LL300	200		
	300DL515	15	952							112											
	300DL518.5	18.5	952							112											
	300DL522	22	952							112											
	300DL530	30	990							292										300	
	300DL537	37	990							319										300	
	300DL545	45	990							319										300	

(*) - L.W.L. (Low Water Level)
 - Operation is limited to 10 minutes at L.W.L.
 - Operation is limited to 30 minutes with water level below top of motor

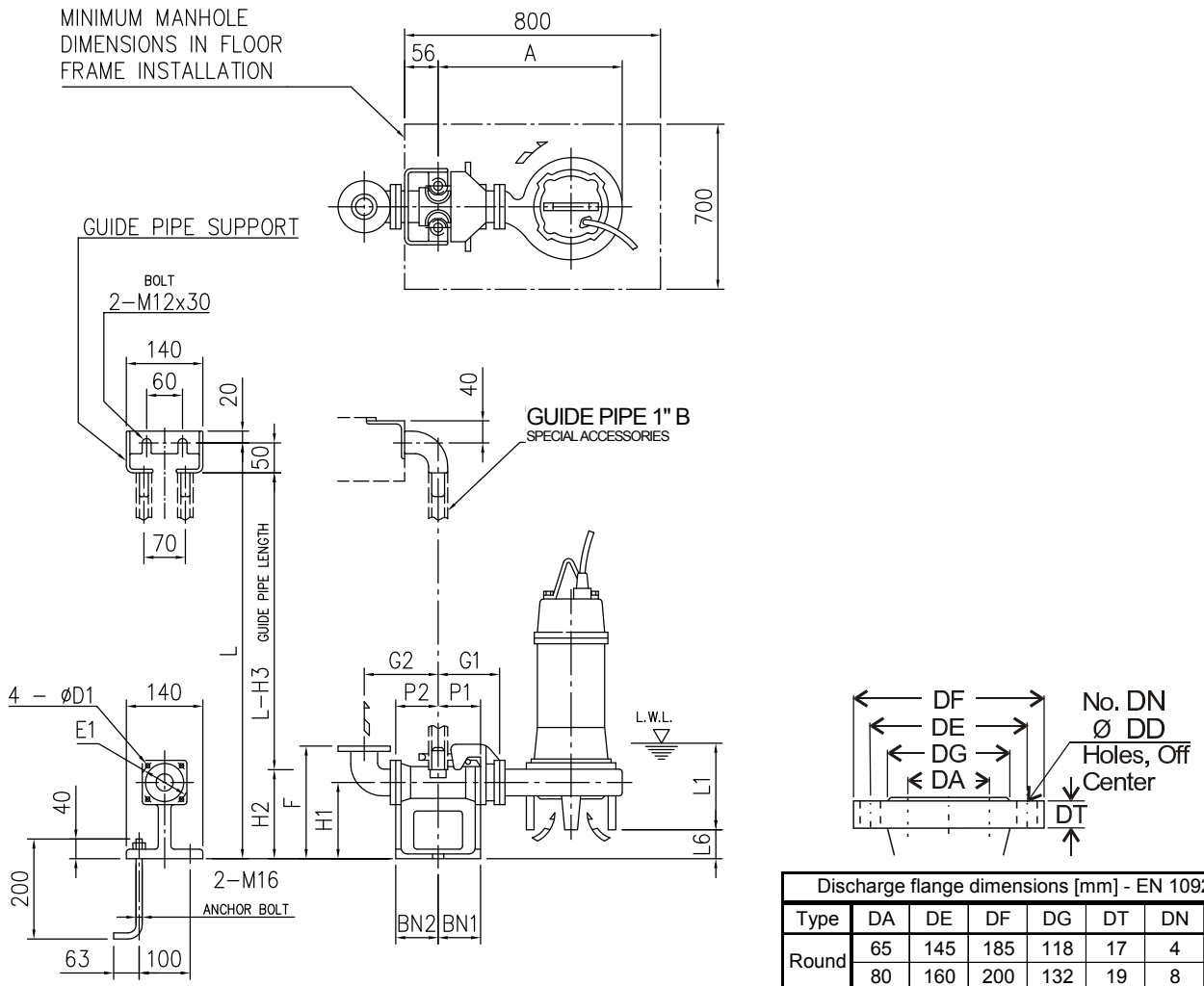
DL W/C



Dimensions [mm]													
Size DA	Model	Output [kW]	A	B	C	D	E	F	H	J	L1 (*)	CL [m]	Weight [kg]
65	65DL51.5W/C	1.5	497	291	353	144	265	200	576	200	140	10	52
80	80DL51.5W/C	1.5	524	292	378	146	285	220	597	210	165		55
	80DL52.2W/C	2.2	542	308	388	154	295		654	220			67
	80DL53.7W/C	3.7	567	328	403	164	310		687	235			75
100	100DL53.7W/C	3.7	614	335	445	169	340	250	706	235	185		79
	100DLB55.5W/C	5.5	646	369	460	186	355	323	768	250	205		123
	100DLB57.5W/C	7.5	673	385	480	193	375		760	270		141	

- (*)
- L.W.L. (Low Water Level)
 - Operation is limited to 10 minutes at L.W.L.
 - Operation is limited to 30 minutes with water level below top of motor

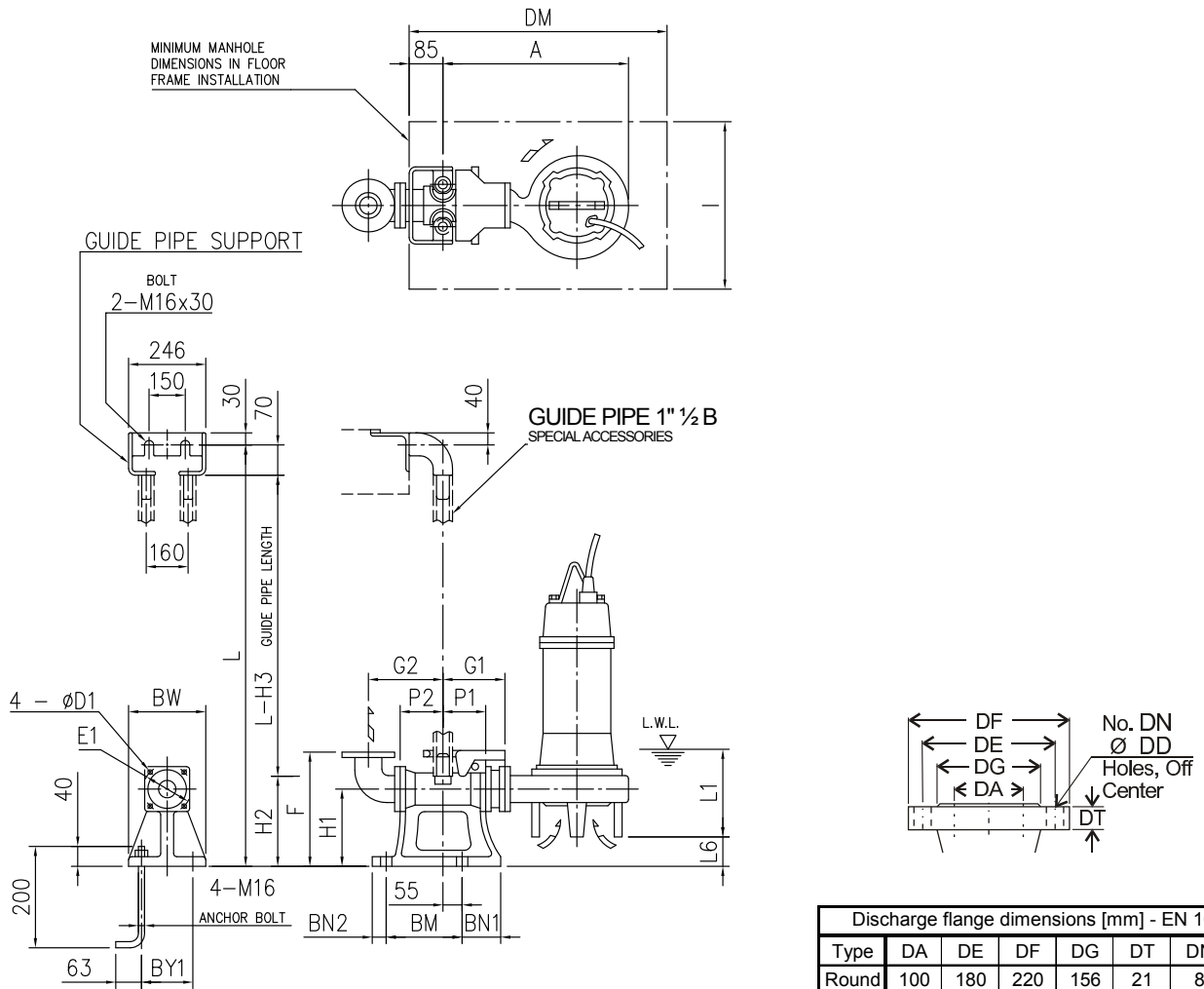
65DL W/C, 80DL W/C (1.5÷3.7 kW) with QDC



Dimensions [mm]																				
Size DA	Model	Output [kW]	A	P1	P2	G1	G2	F	H1	H2	H3	L1 (*)	L6	BN1	BN2	D1	E1	QDC		
																		Model	Weight [kg]	
65	65DL51.5W/C	1.5	464	75	95	120	160	250	145	190	240	140	50	75	95	12	140	LM65	14	
	80DL51.5W/C	1.5	481		90	125	165	285	175	230	280	165	65		90	15	155	LM80	17	
	80DL52.2W/C	2.2	499																	
	80DL53.7W/C	3.7	524																	

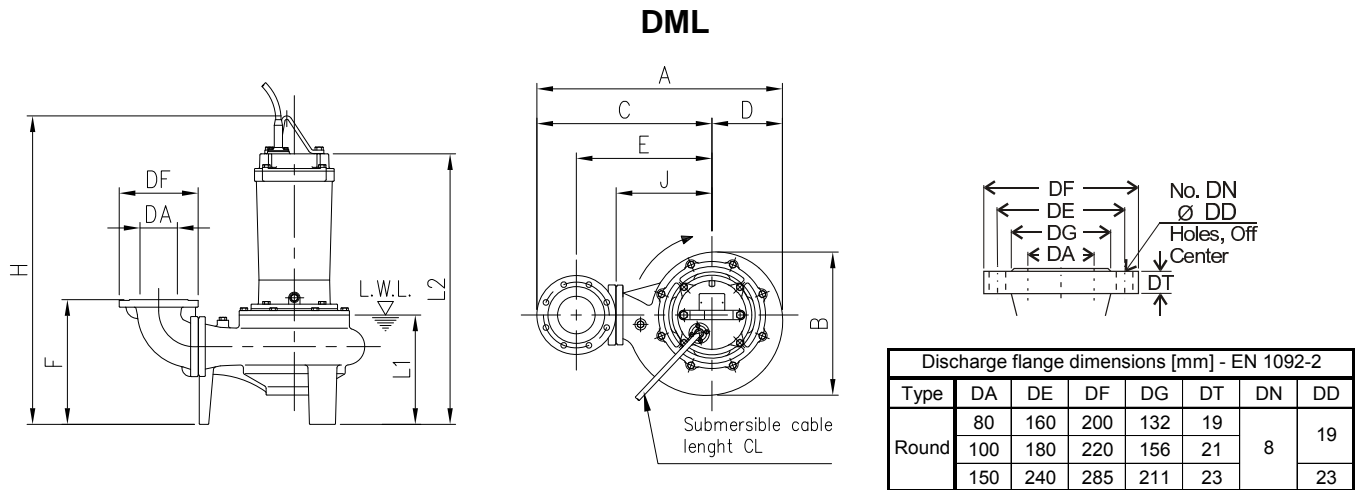
- L.W.L (Low Water Level)
- (*) - Operation is limited to 10 minutes at L.W.L.
- Operation is limited to 30 minutes with water level below top of motor

100DL W/C with QDC



Dimensions [mm]																								
Size	Model	Output [kW]	A	P1	P2	G1	G2	F	H1	H2	H3	L1 (*)	L6	BN1	BN2	BM	BY1	BW	DM	I	D1	E1	QDC Model	QDC Weight [kg]
100	100DL53.7W/C	3.7	589									185	115											
	100DLB55.5W/C	5.5	621	105	105	185	210	365	240	265	335	205	42	100	40	220	180	230	800	700	19	175	LL100	46
	100DLB57.5W/C	7.5	648																					

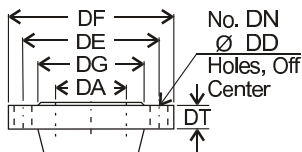
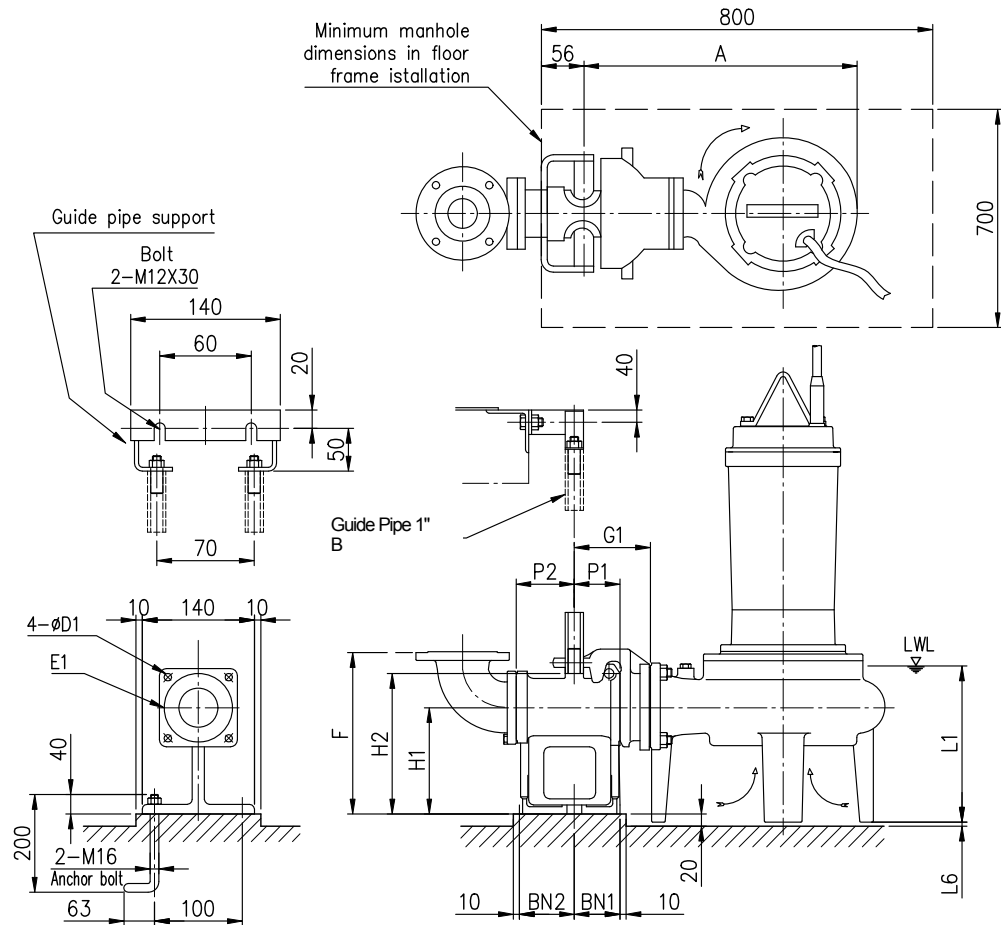
(*) - L.W.L (Low Water Level)
 - Operation is limited to 10 minutes at L.W.L.
 - Operation is limited to 30 minutes with water level below top of motor



Dimensions [mm]																				
Size DA	Model	Output [kW]	A	B	C	D	E	F	H	J	L1 (*)	L2	CL [m]	Weight [kg]						
80	80DML52.2	2.2	542	320	385	157	285	308	668	210	279	547	10	80						
	80DML53.7	3.7			425		315	313						727	627	87				
100	100DML53.7	3.7	582	381	470	188	360	339	824	255	310	724		89						
	100DML55.5	5.5	658		530		420	355						938	315	329	778	121		
	100DML57.5	7.5	751		455		530	221						420	355	938	315	329	778	125
	100DML511	11																		795
	100DML515	15	852.5		497		607.5	245						465	388	1021	335	342	841	166
	100DML522	22																		715.5
150	150DML55.5	5.5	808.5	455	587.5	221	445	385	938	315	329	778		127						
	150DML57.5	7.5												852.5	497	607.5	245	465	388	1021
	150DML511	11	808.5	455	587.5	221	445	385	938	315	329	778	166							
	150DML515	15											852.5	497	607.5	245	465	388	1021	335
	150DML522	22	852.5	497	607.5	245	465	388	1021	335	342	841	232							

- (*)
- L.W.L (Low Water Level)
 - Operation is limited to 10 minutes at L.W.L.
 - Operation is limited to 30 minutes with water level below top of motor

80DML, 100DML (3.7 kW) with QDC

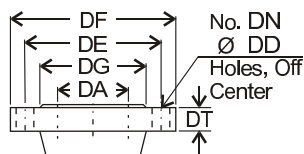
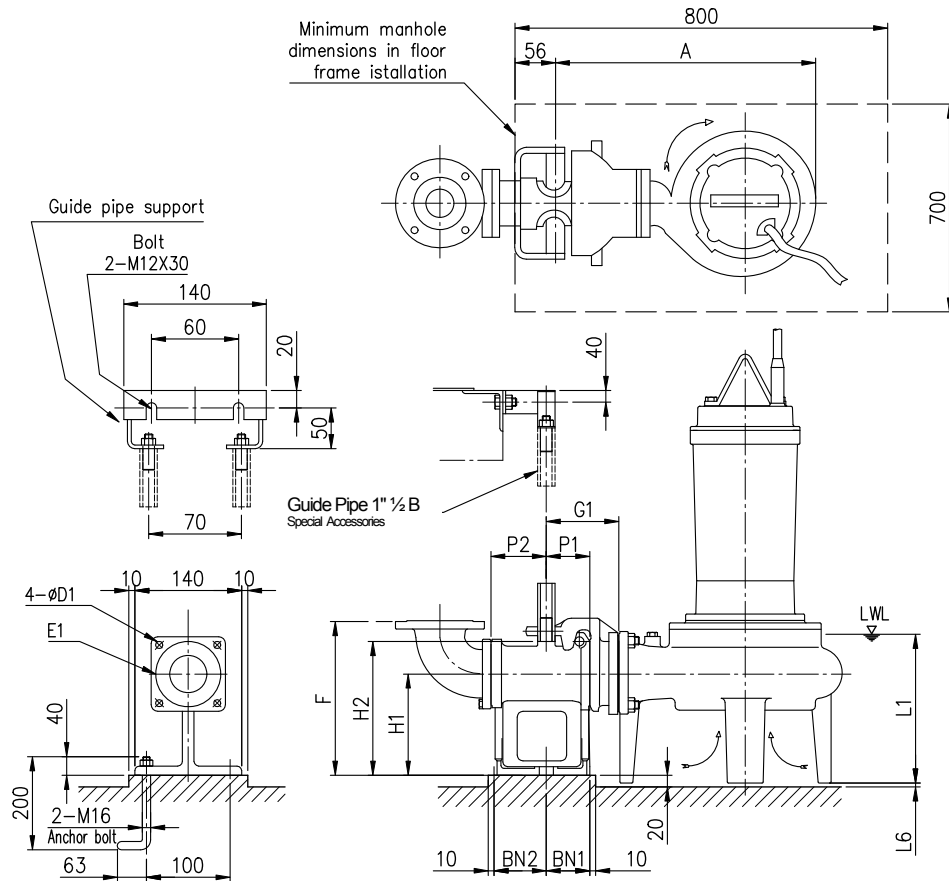


Discharge flange dimensions [mm] - EN 1092-2							
Type	DA	DE	DF	DG	DT	DN	DD
Round	80	160	200	132	19	8	19
	100	180	220	156	21		

Dimensions [mm]																		
Size DA	Model	Output [kW]	A	P1	P2	G1	G2	F	H1	H2	L1 (*)	L6	BN1	BN2	D1	E1	QDC Model	QDC Weight [kg]
80	80DML52.2	2.2	492	75	90	125	165	295	175	230	279	7	75	90	15	155	LM80	17
	80DML53.7	3.7					195	300										
100	100DML53.7	3.7																

- L.W.L (Low Water Level)
- (*) - Operation is limited to 10 minutes at L.W.L.
- Operation is limited to 30 minutes with water level below top of motor

100DML (5.5÷22 kW), 150DML with QDC

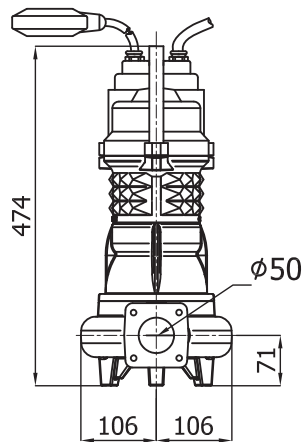
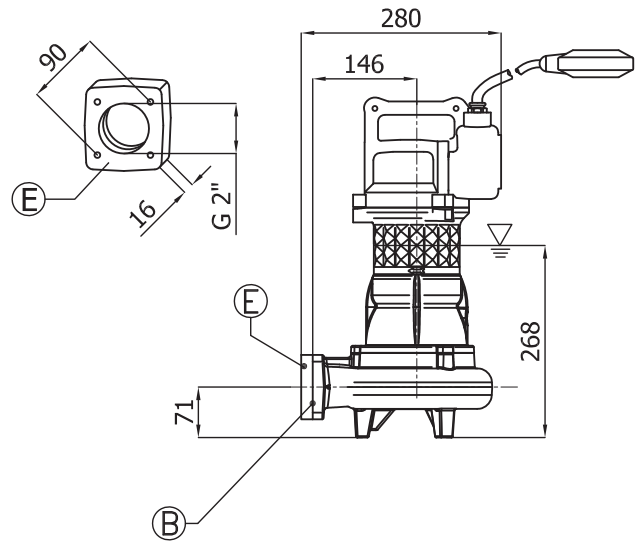
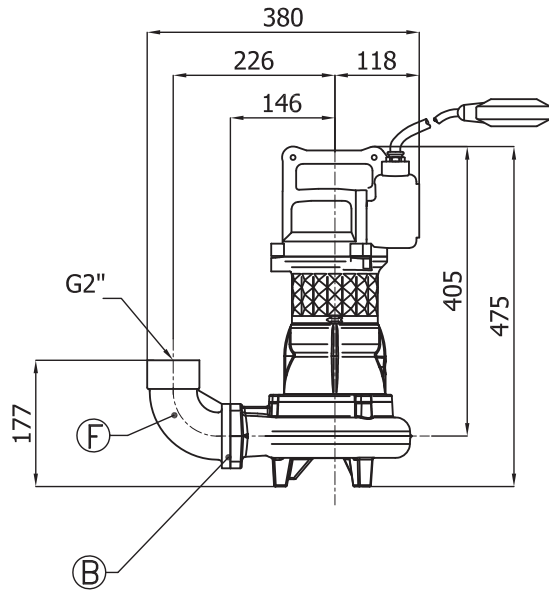


Discharge flange dimensions [mm] - EN 1092-2							
Type	DA	DE	DF	DG	DT	DN	DD
Round	100	180	220	156	21	8	19
	150	240	285	211	23		23


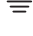

Dimensions [mm]																																			
Size DA	Model	Output [kW]	A	P1	P2	G1	G2	F	H1	H2	L1 (*)	L6	BN1	BN2	BM	BY1	BW	DM	I	D1	E1	QDC Model	Weight [kg]												
100	100DML55.5	5.5	628								310	31							800																
	100DML57.5	7.5									329	15							1000																
	100DML511	11	721								210	370							342						12	100	40	220	180	230	700	19	175	LL100	46kg
	100DML515	15									240	265																							
	100DML522	22	765								105	105							185																
150	150DML55.5	5.5	628								310	31							800																
	150DML57.5	7.5									329	15							1000																
	150DML511	11	721								235	400							342					12	100	40	220	180	230	700	19	175	LL100	46kg	
	150DML515	15																																	240
	150DML522	22	765								105	105							185																

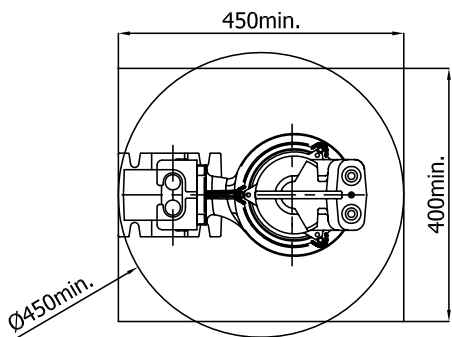
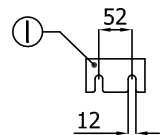
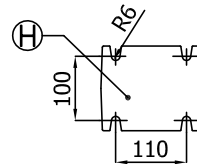
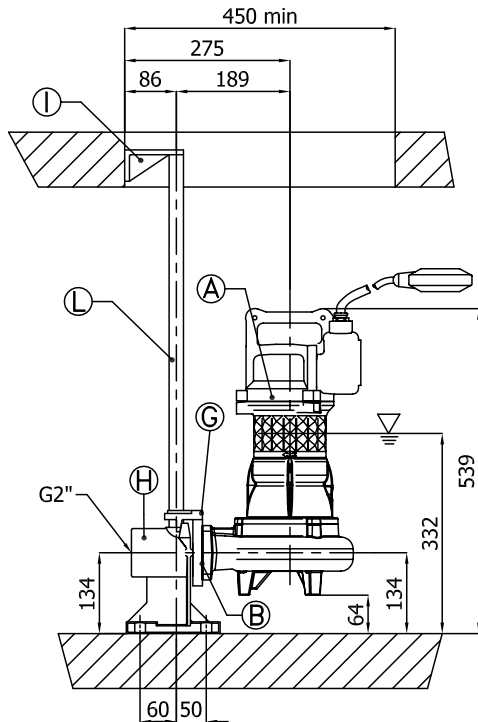
(*) - L.V.L (Low Water Level)
 - Operation is limited to 10 minutes at L.W.L.
 - Operation is limited to 30 minutes with water level below top of motor

50DMLF/50DMLF with QDC (1.4 kW)



Size DA	Model	Output [kW]	Weight [kgf]
50	50DMLF51.4M2BG	1,4	31

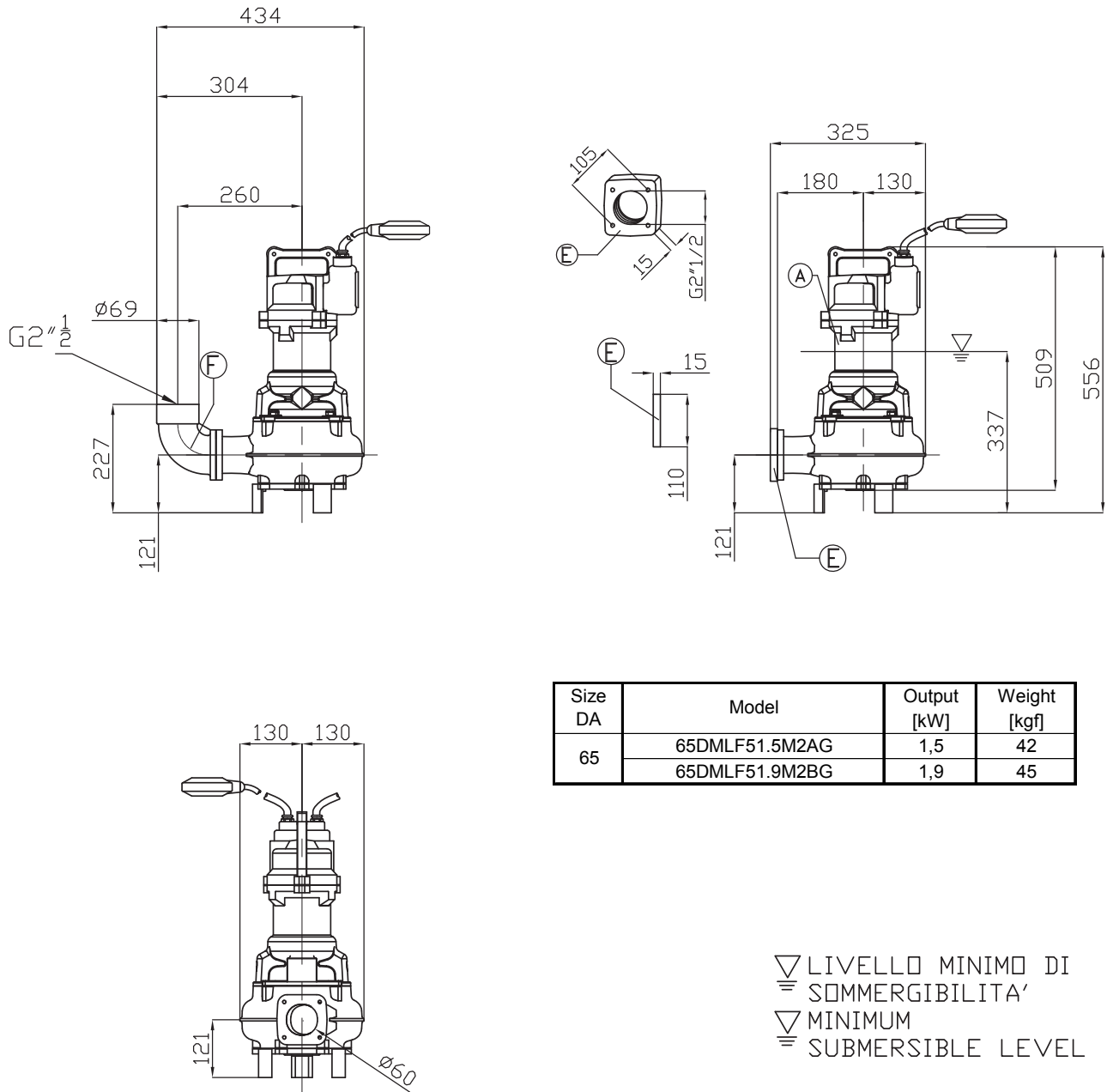
 LIVELLO MINIMO DI
 SOMMERGIBILITA'
 MINIMUM SUBMERSIBLE LEVEL

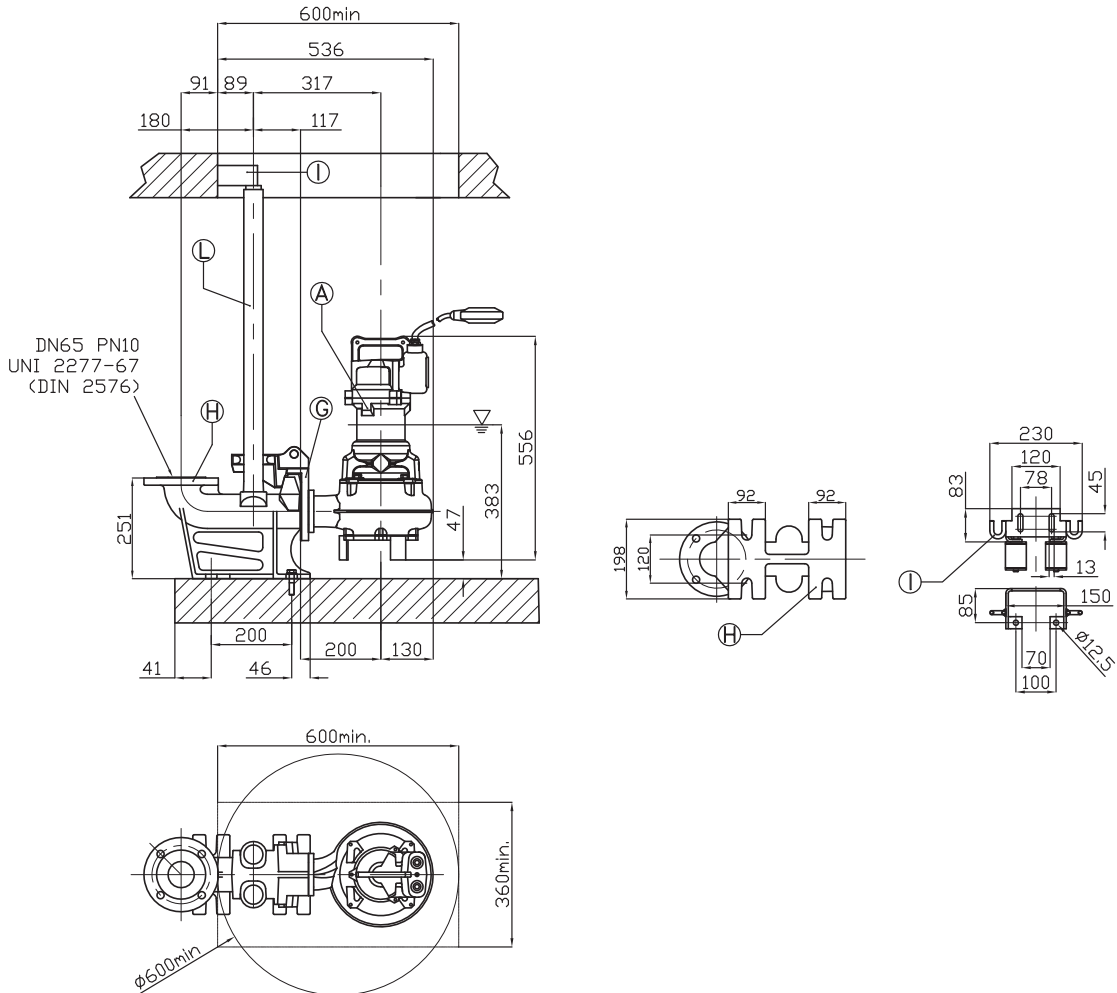


▽ LIVELLO MINIMO DI
SOMMERSIBILITA'
▽ MINIMUM
▽ SUBMERSIBLE LEVEL

POSITION	DESCRIPTION	MATERIAL	WEIGHT [kgf]
A	SUBMERSIBLE PUMP	-	-
B	RUBBER JOINT DN50	NEOPRENE	-
E	THREADED FLANGE 2"	G250 CAST-IRON	1
F	THREADED ELBOW 90° 2"	G250 CAST-IRON	3
G	DOUBLE GUIDE RAIL COUPLING FLANGE DN50	G250 CAST IRON	1.5
H	DOUBLE GUIDE CUOPLING FEET DN50	G250 CAST-IRON	6
I	DOUBLE GUIDE RAIL UPPER SUPPORT 3/4	G250 CAST-IRON	1.1
L	GUIDE RAIL 3/4"	GALVANIZED STEEL	-

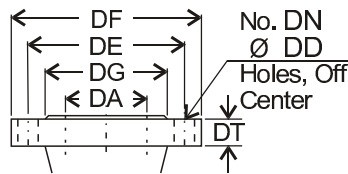
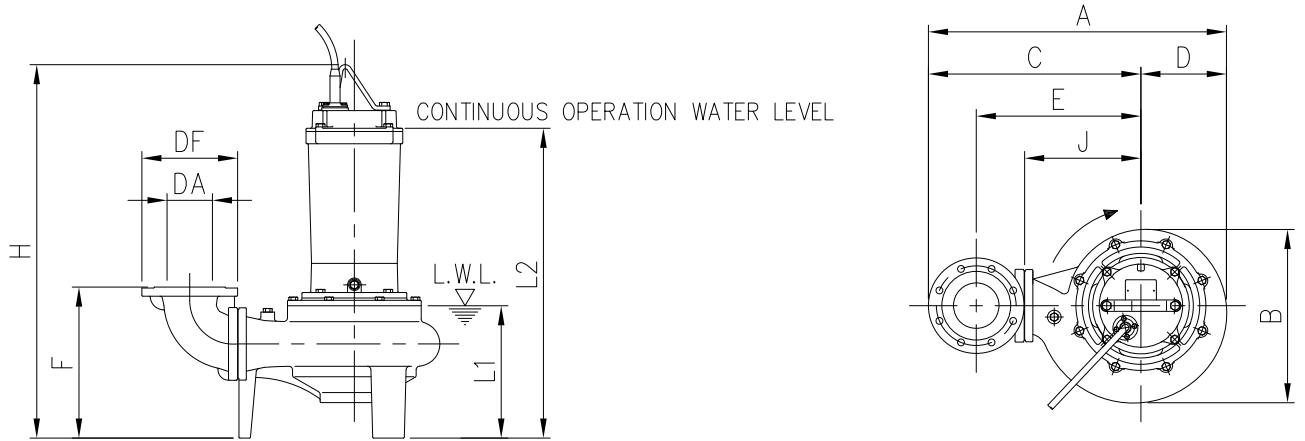
65DMLF/65DMLF with QDC (1.5÷1.9 kW)





POSITION	DESCRIPTION	MATERIAL	WEIGHT [kgf]
A	SUBMERSIBLE PUMP	-	-
B	RUBBER JOINT DN65	NEOPRENE	-
E	THREADED FLANGE 2" 1/2	G 250 CAST-IRON	1
F	THREADED ELBOW 90° 2" 1/2	G 250 CAST-IRON	3
G	DOUBLE GUIDE RAIL COUPLING FLANGE DN65	G250 CAST IRON	4
H	DOUBLE GUIDE CUOPLING FEET DN65	G 250 CAST-IRON	19
I	DOUBLE GUIDE RAIL UPPER SUPPORT 2"	GALVANIZED STEEL	1.9
L	GUIDE RAIL 2"	GALVANIZED STEEL	-

DMLV

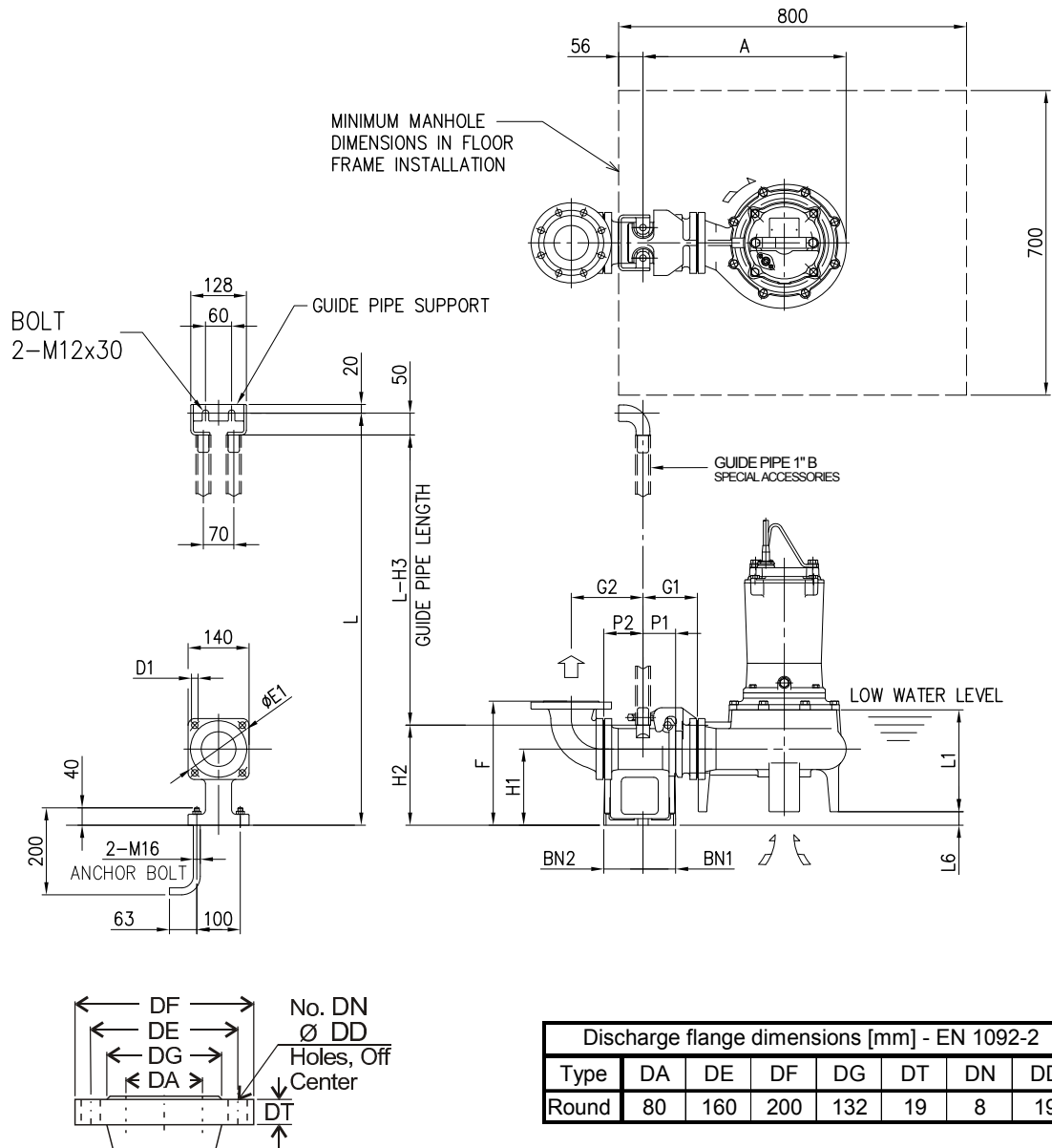


Discharge flange dimensions [mm] - EN 1092-2							
Type	DA	DE	DF	DG	DT	DN	DD
Round	80	160	200	132	19	8	19
	100	180	220	156	21		

Dimensions [mm]															
Size DA	Model	Output [kW]	A	B	C	D	E	F	H	J	L1 (*)	L2	CL [m]	Weight [kg]	
80	80DMLV52.2	2.2	518	285	375	143	275	254	660	200	200	560	10	70	
	80DMLV53.7	3.7										620		80	
100	100DMLV55.5	5.5	584	308	430	154	320	305	860	215	250	760	10	105	
	100DMLV57.5	7.5												641	352
	100DMLV511	11	728	426	515	213	405			970		300		865	150
	100DMLV515	15													180
	100DMLV522	22													1045

- (*)
- L.W.L (Low Water Level)
 - Operation is limited to 10 minutes at L.W.L.
 - Operation is limited to 30 minutes with water level below top of motor

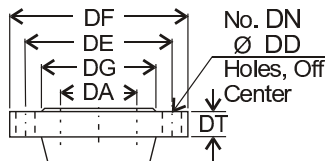
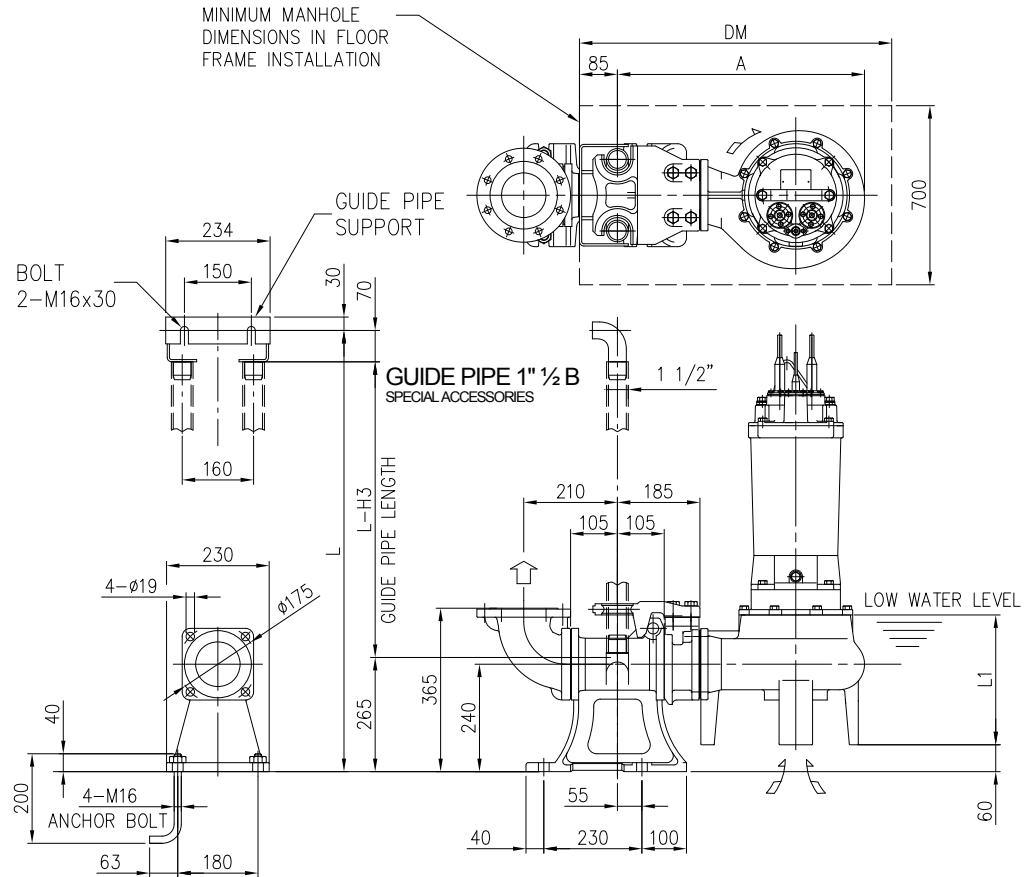
80DMLV with QDC



Dimensions [mm]																			
Size DA	Model	Output [kW]	A	P1	P2	G1	G2	F	H1	H2	H3	L1 (*)	L6	BN1	BN2	D1	E1	QDC	
																		Model	Weight [kg]
80	80 DMLV 52.2	2.2	468	75	90	125	165	285	175	230	280	200	31	75	90	15	155	LM80	17
	80 DMLV 53.7	3.7																	

- L.W.L (Low Water Level)
- (*) - Operation is limited to 10 minutes at L.W.L.
- Operation is limited to 30 minutes with water level below top of motor

100DMLV with QDC

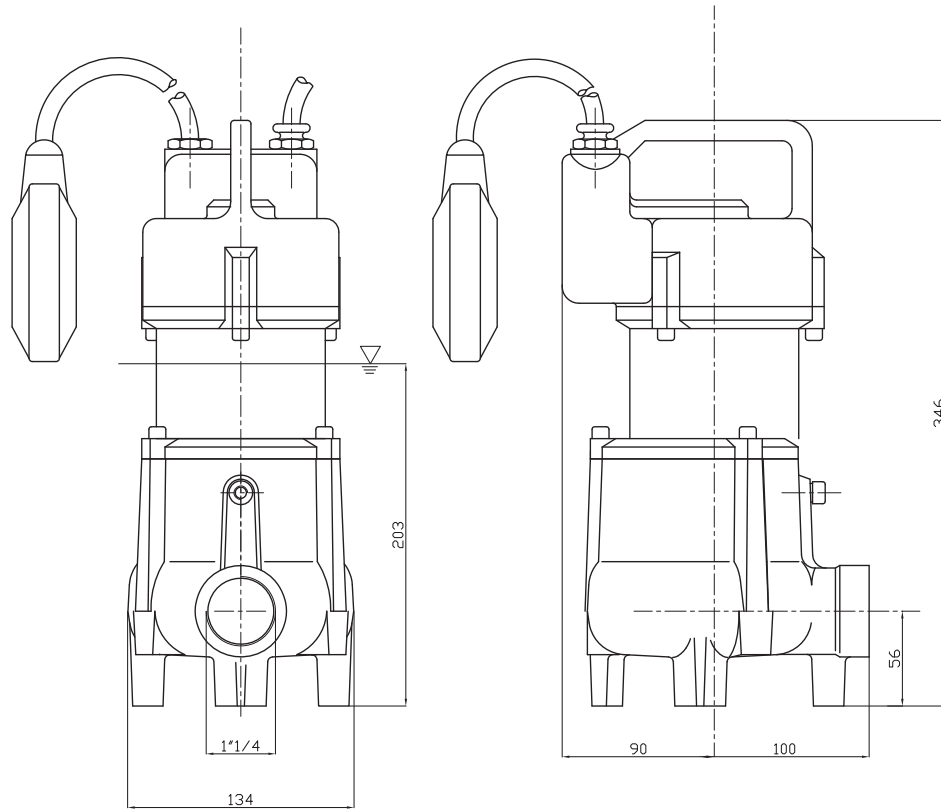


Discharge flange dimensions [mm] - EN 1092-2							
Type	DA	DE	DF	DG	DT	DN	DD
Round	100	180	220	156	21	8	19

Dimensions [mm]							
Size DA	Model	Output [kW]	A	H3	L1 (*)	QDC	
						Model	Weight [kg]
100	100DML55.5	5.5	554	335	250	LL100	46
	100DML57.5	7.5	611				
	100DML511	11	698		300		
	100DML515	15					
	100DML522	22					

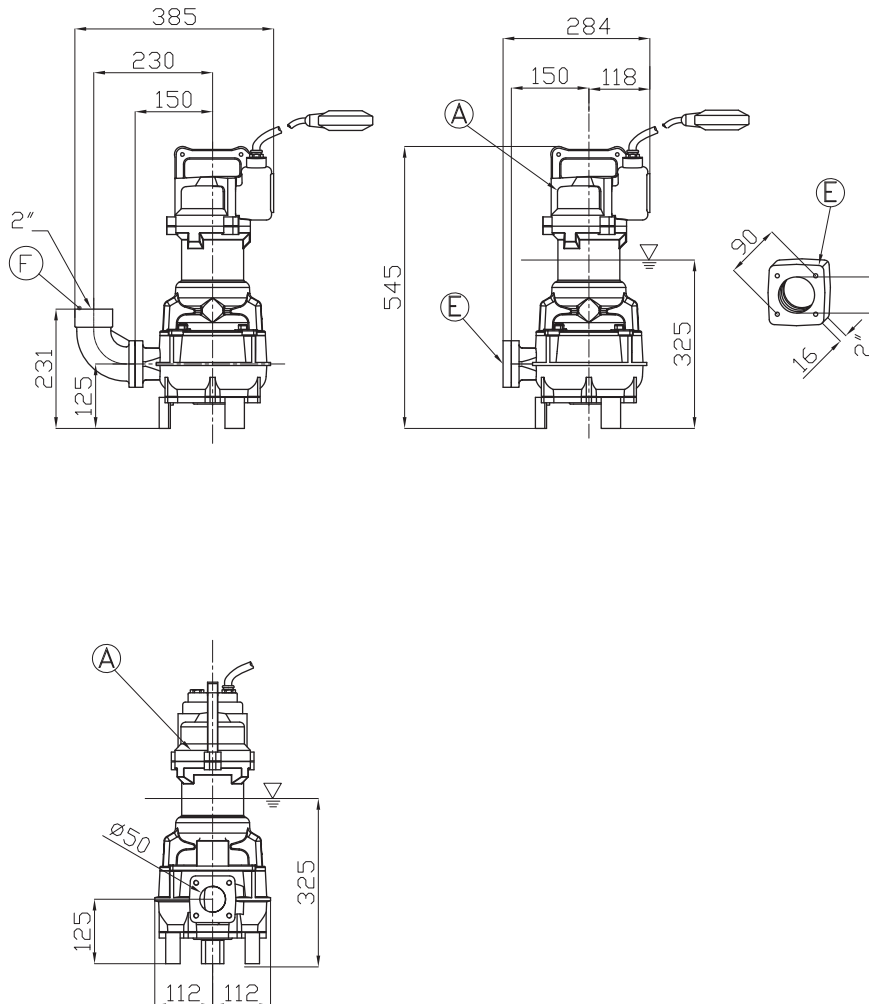
- (*) - L.W.L (Low Water Level)
- Operation is limited to 10 minutes at L.W.L.
- Operation is limited to 30 minutes with water level below top of motor

40DMLVF (0.5 kW)



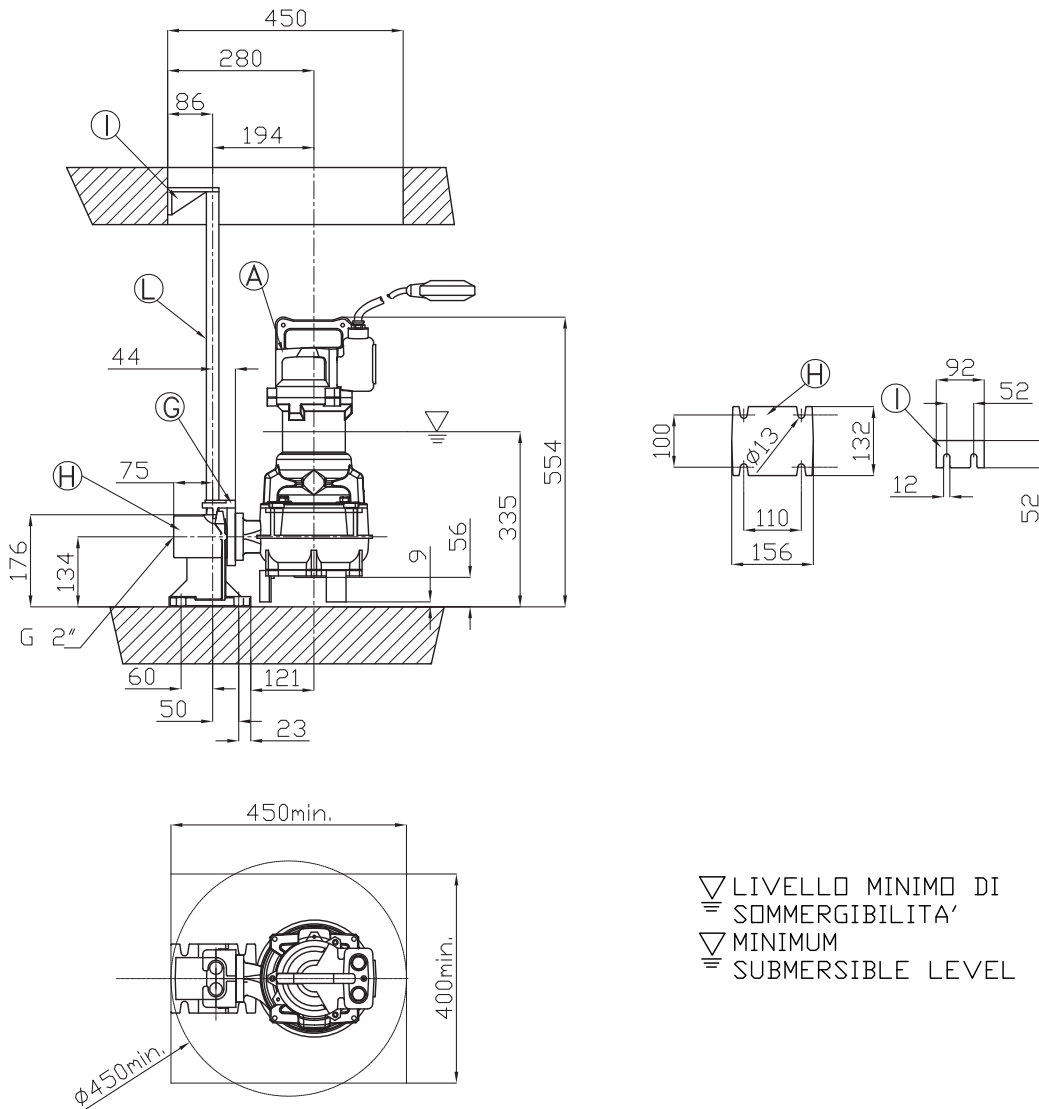
Size DA	Model	Output [kW]	Weight [kgf]
1"1/4	40DMLVF50.5M2AG	0,5	14

50DMLVF/50DMLVF with QDC (1.5 ÷ 1.9 kW)



Size DA	Model	Output [kW]	Weight [kgf]
50	50DMLVF51.5M2CG	1.5	43
	50DMLVF51.5M2BG	1.5	43
	50DMLVF51.9M2AG	1,9	43

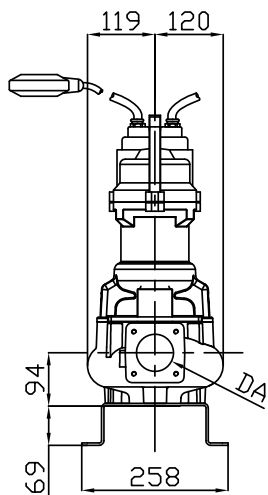
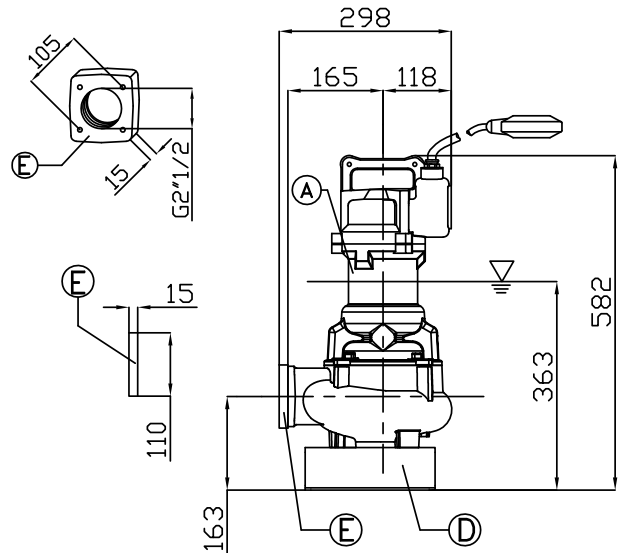
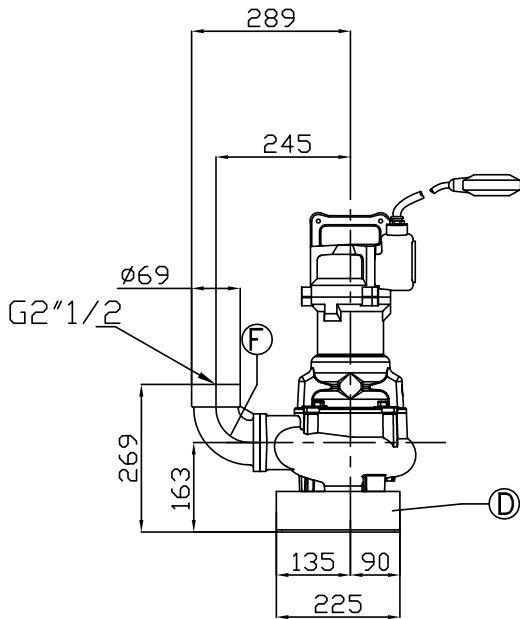
▽ LIVELLO MINIMO DI
 ≡ SOMMERSIBILITA'
 ▽ MINIMUM
 ≡ SUBMERSIBLE LEVEL



▽ LIVELLO MINIMO DI
 SOMMERSIBILITA'
 ▽ MINIMUM
 SUBMERSIBLE LEVEL

POSITION	DESCRIPTION	MATERIAL	WEIGHT [kg]
A	SUBMERSIBLE PUMP	-	-
B	RUBBER JOINT DN50	NEOPRENE	-
E	THREADED FLANGE 2"	G250 CAST-IRON	1
F	THREADED ELBOW 90° 2"	G250 CAST-IRON	3
G	DOUBLE GUIDE RAIL COUPLING FLANGE DN50	G250 CAST IRON	1.5
H	DOUBLE GUIDE CUOPLING FEET DN50	G250 CAST-IRON	6
I	DOUBLE GUIDE RAIL UPPER SUPPORT 3/4	G250 CAST-IRON	1.1
L	GUIDE RAIL 3/4	GALVANIZED STEEL	-

65DMLVF/65DMLVF with QDC (1.5 kW)



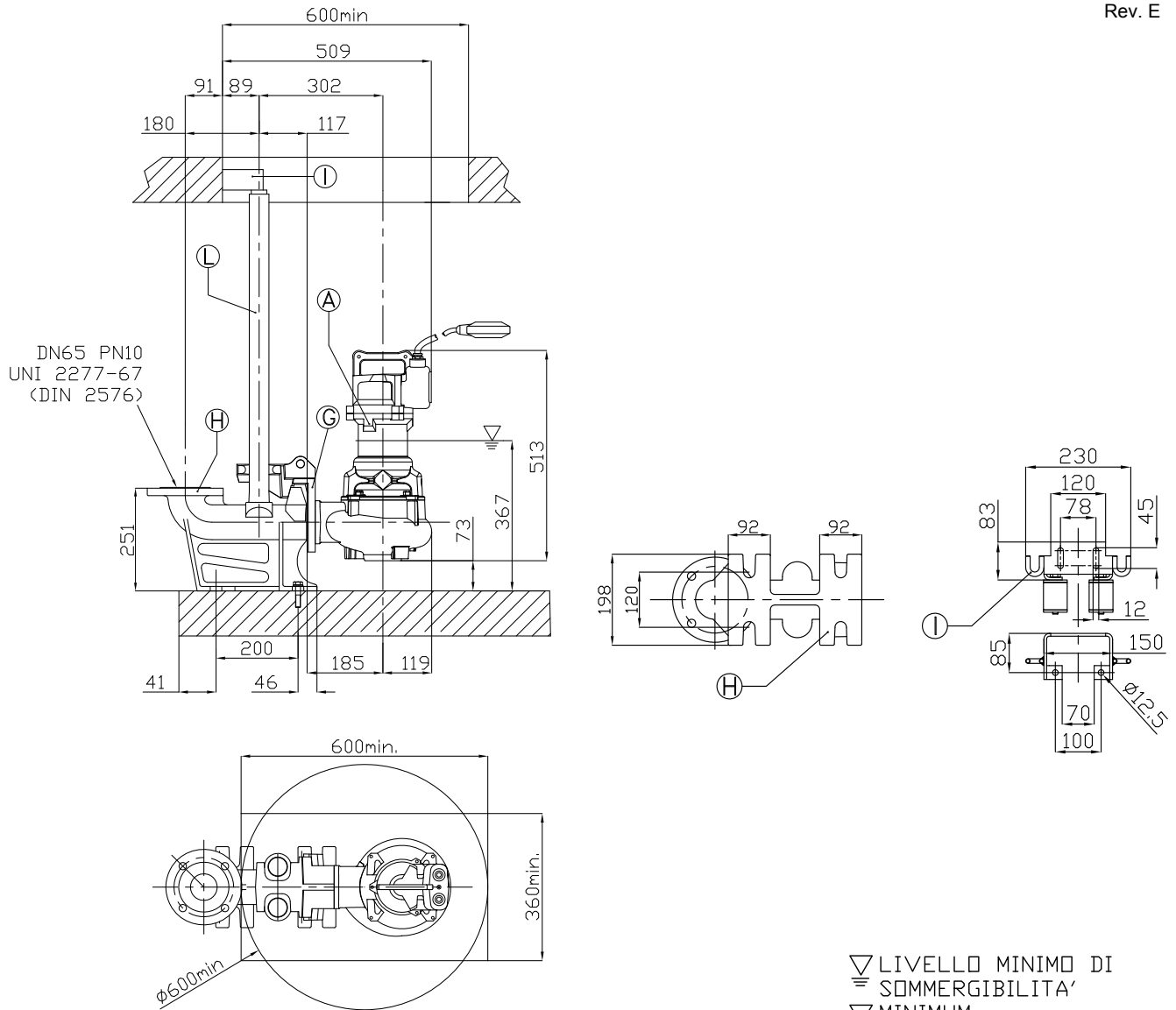
Size DA	Model	Output [kW]	Weight [kgf]
65	65DMLVF51.5M2CG	1.5	44

▽ LIVELLO MINIMO DI
 ≡ SOMMERSIBILITA'
 ▽ MINIMUM
 ≡ SUBMERSIBLE LEVEL

DIMENSIONS AND WEIGHT

50 Hz

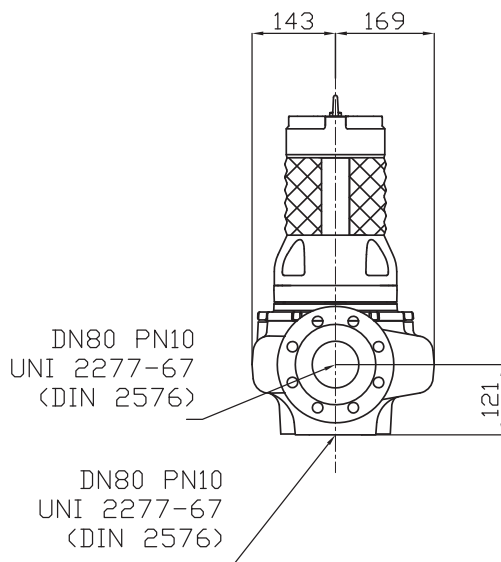
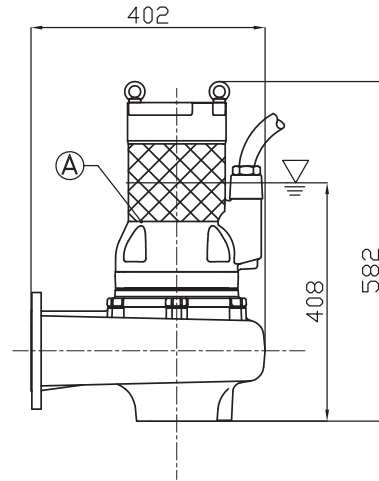
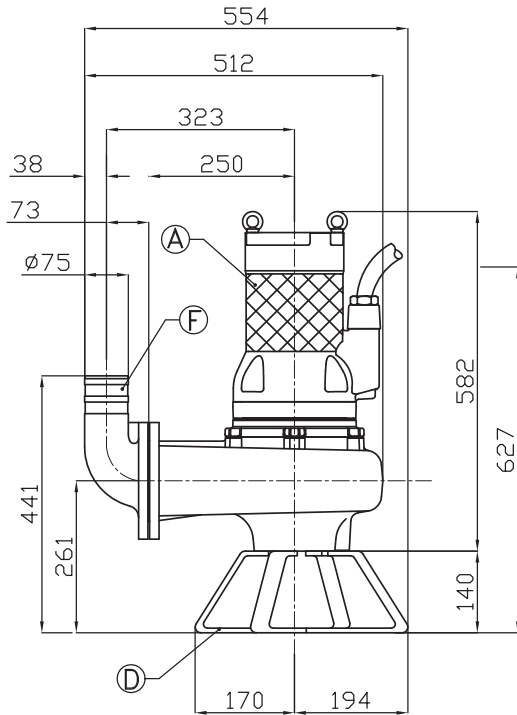
Rev. E



▽ LIVELLO MINIMO DI
 ≡ SOMMERSIBILITA'
 ▽ MINIMUM
 ≡ SUBMERSIBLE LEVEL

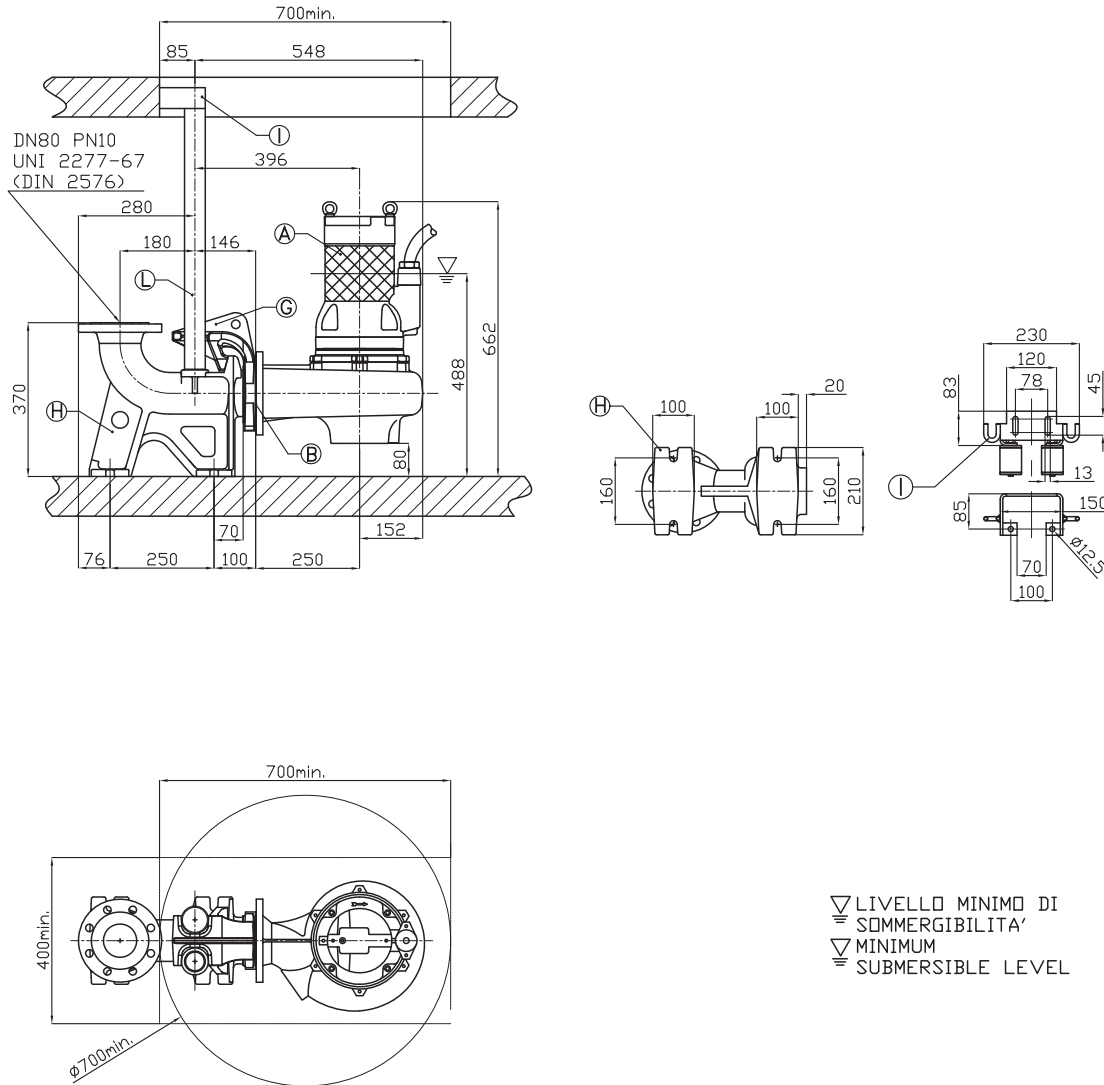
POSITION	DESCRIPTION	MATERIAL	WEIGHT [kgf]
A	SUBMERSIBLE PUMP	-	-
B	RUBBER JOINT DN65	NEOPRENE	-
D	X FOOT REST	S.STEEL AISI304	2.5
E	THREADED FLANGE 2"1/2	G250 CAST-IRON	1
F	THREADED ELBOW 90° 2"1/2	G250 CAST-IRON	3
G	DOUBLE GUIDE RAIL COUPLING FLANGE DN65	G250 CAST IRON	4
H	DOUBLE GUIDE CUOPLING FEET DN65	G250 CAST-IRON	19
I	DOUBLE GUIDE RAIL UPPER SUPPORT 2"	GALVANIZED STEEL	1.9
L	GUIDE RAIL 2"	GALVANIZED STEEL	-

80DMLVF/80DMLVF with QDC (4.9 kW)



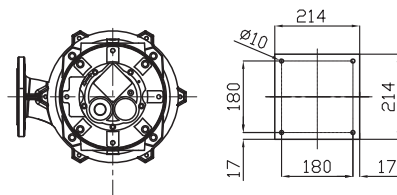
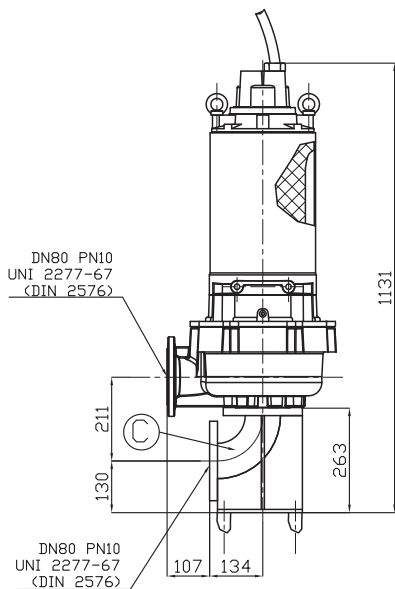
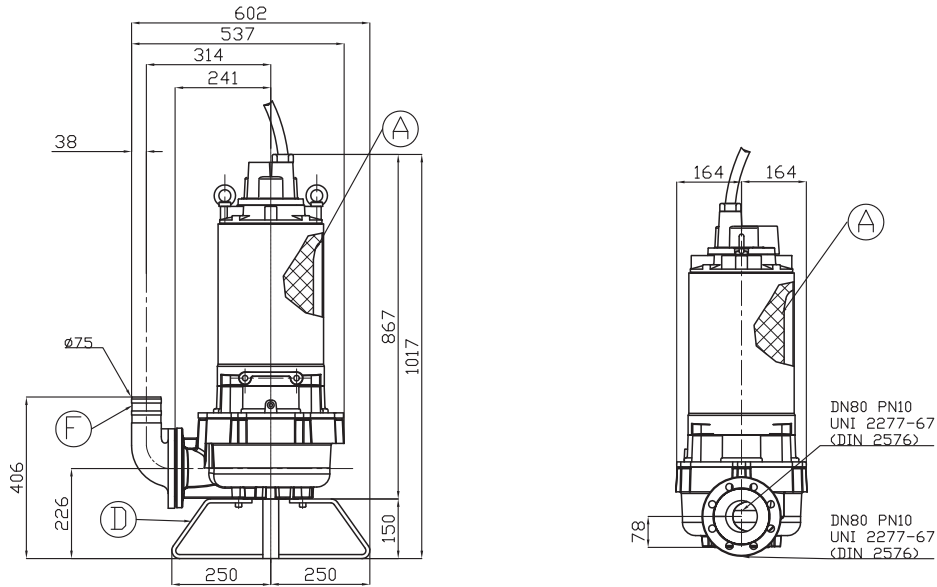
Size DA	Model	Output [kW]	Weight [kgf]
DN 80 PN10 UNI 2277-67 (DIN 2576)	80DMLVF54.9T4AG	4.9	79

∇ LIVELLO MINIMO DI
 \equiv SOMMERSIBILITA'
 ∇ MINIMUM
 \equiv SUBMERSIBLE LEVEL

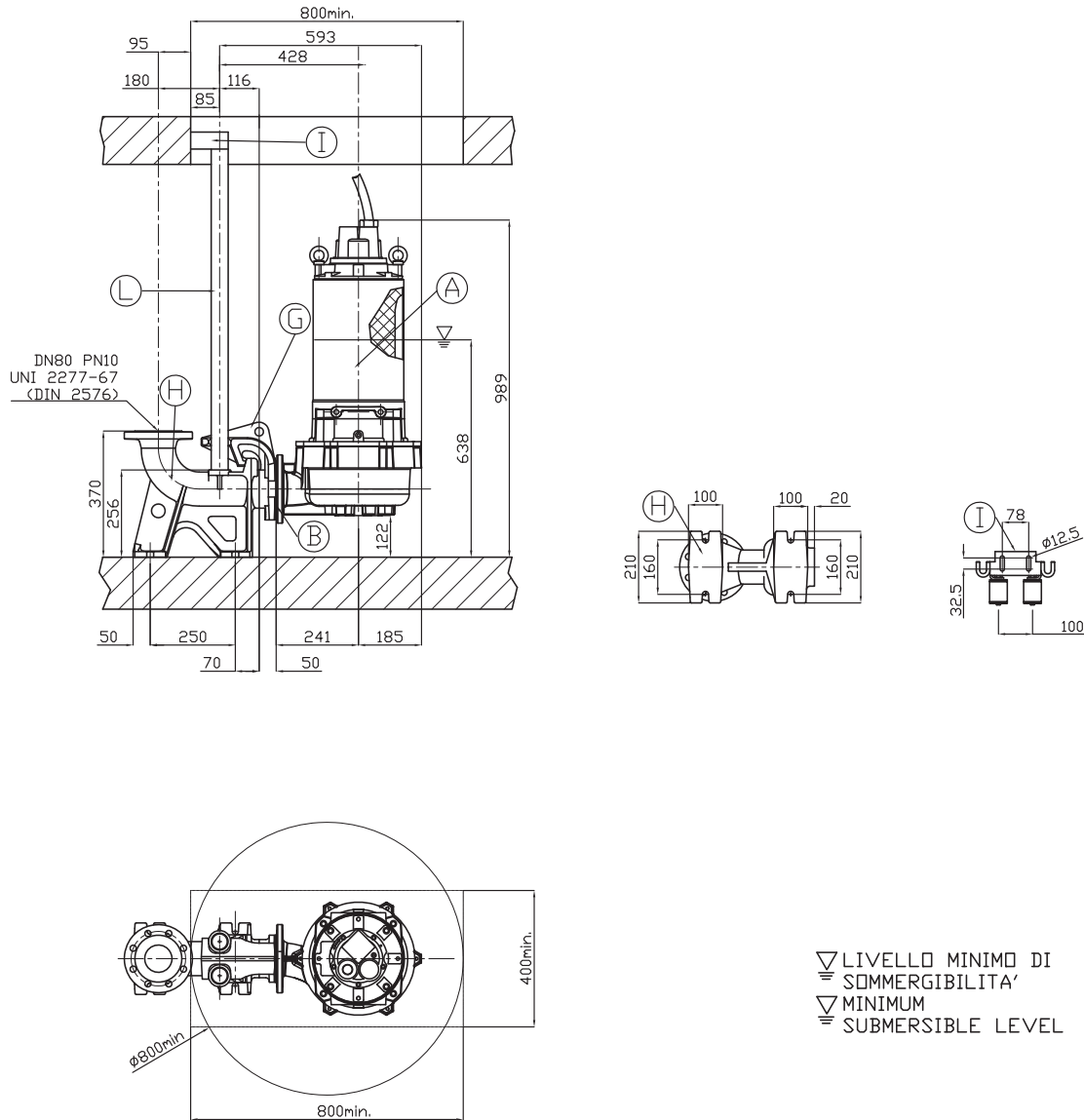


POSITION	DESCRIPTION	MATERIAL	WEIGHT [kgf]
A	SUBMERSIBLE PUMP	-	-
B	RUBBER JOINT DN80	NEOPRENE	-
C	SUCTION ELBOW 90°	GALVANIZED STEEL	27
D	X FOOT REST	GALVANIZED STEEL	3
F	DELIVERY ELBOW 90° DN80	G250 CAST-IRON	6
G	DOUBLE GUIDE RAIL COUPLING FLANGE DN80	G250 CAST IRON	10
H	DOUBLE GUIDE CUOPLING FEET DN80	G250 CAST-IRON	33
I	DOUBLE GUIDE RAIL UPPER SUPPORT 2"	GALVANIZED STEEL	1.9
L	GUIDE RAIL 2"	GALVANIZED STEEL	-

80DMLVF/80DMLVF with QDC (16.6 kW)

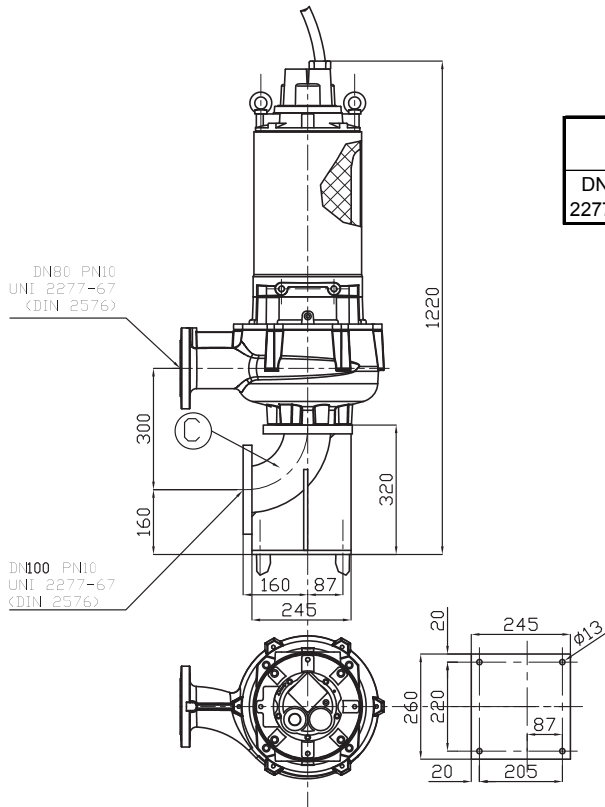
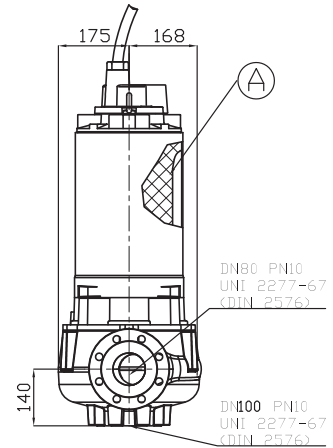
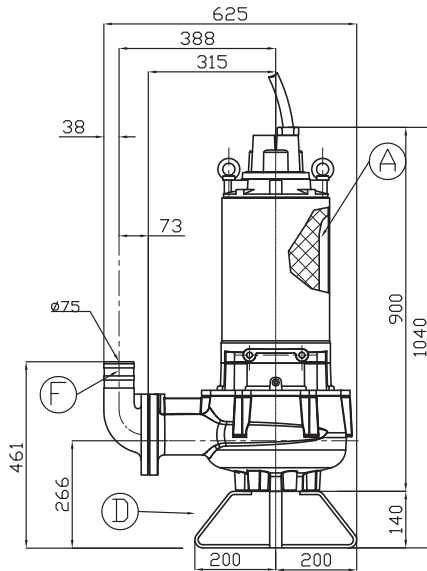


Size DA	Model	Output	Weight
		[kW]	[kgf]
DN 80 PN10 UNI 2277-67 (DIN 2576)	80DMLVF516.6T2BG	16.6	191



POSITION	DESCRIPTION	MATERIAL	WEIGHT [kgf]
A	SUBMERSIBLE PUMP	-	-
B	RUBBER JOINT DN80	NEOPRENE	-
C	SUCTION ELBOW 90°	GALVANIZED STEEL	7
D	X FOOT REST	GALVANIZED STEEL	3
F	DELIVERY ELBOW 90° DN80	G 250 CAST-IRON	6
G	DOUBLE GUIDE RAIL COUPLING FLANGE DN80	G250 CAST IRON	10
H	DOUBLE GUIDE CUOPLING FEET DN80	G 250 CAST-IRON	33
I	DOUBLE GUIDE RAIL UPPER SUPPORT 2"	GALVANIZED STEEL	1.9
L	GUIDE RAIL 2"	GALVANIZED STEEL	-

80DMLVF/80DMLVF with QDC (18.2 kW)

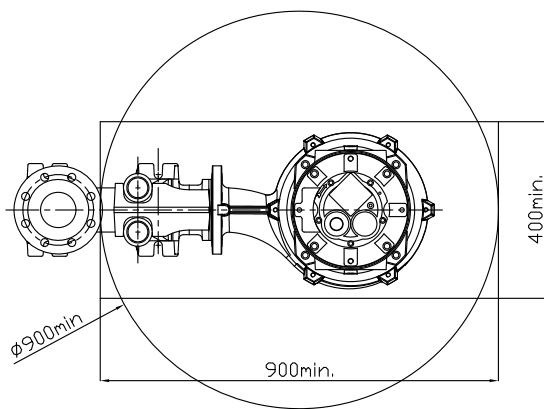
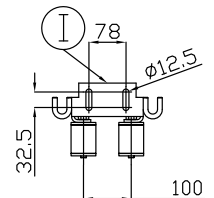
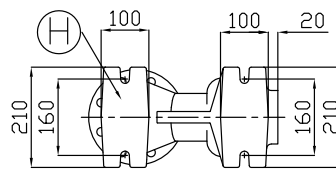
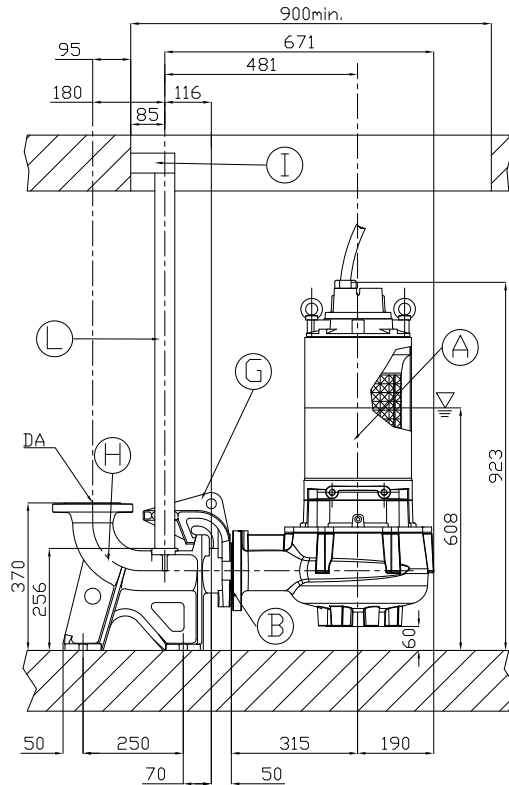


Size DA	Model	Output [kW]	Weight [kgf]
DN 80 PN10 UNI 2277-67 (DIN 2576)	80DMLVF518.2T2DG	18.2	192

DIMENSIONS AND WEIGHT

50 Hz

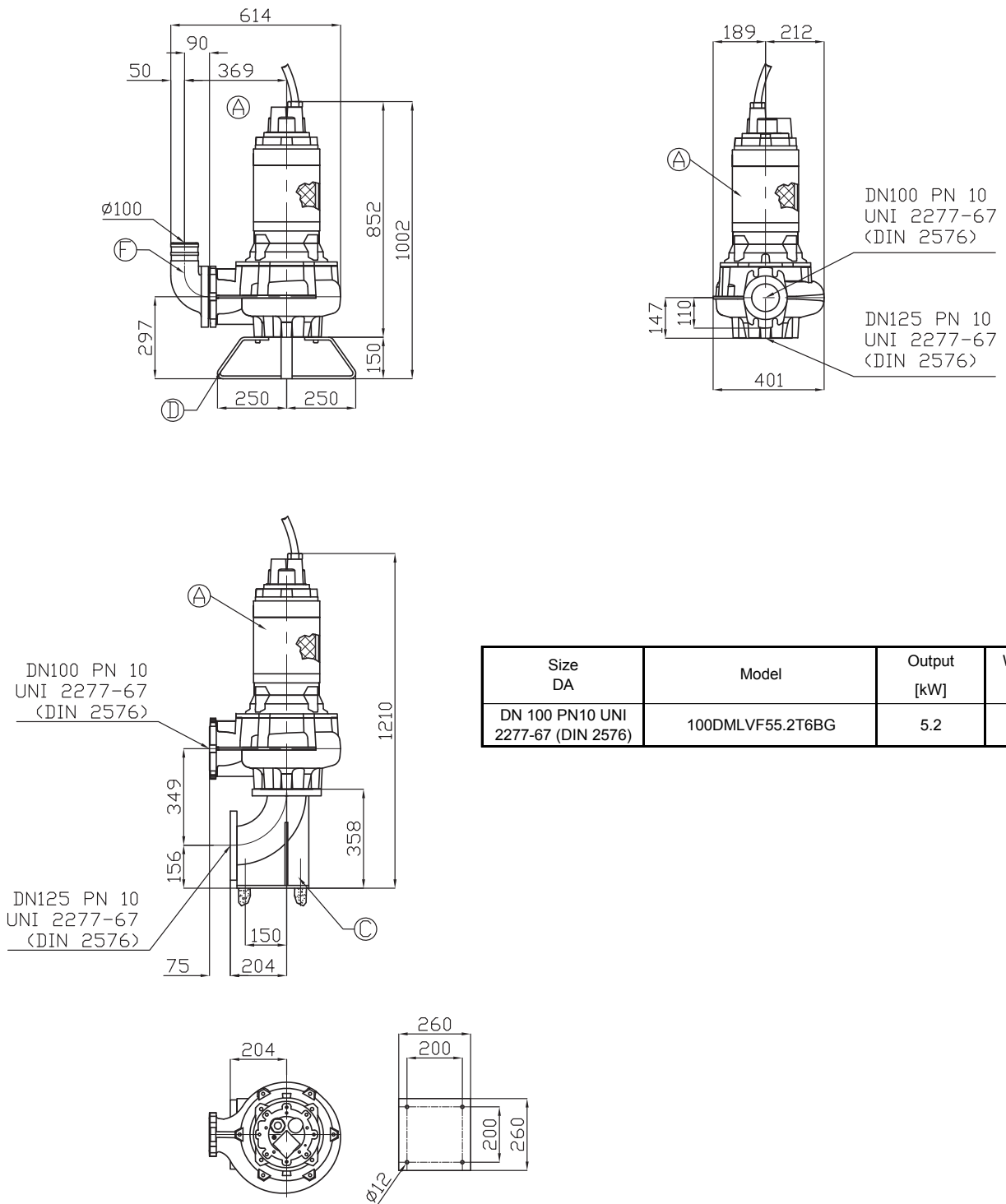
Rev. E



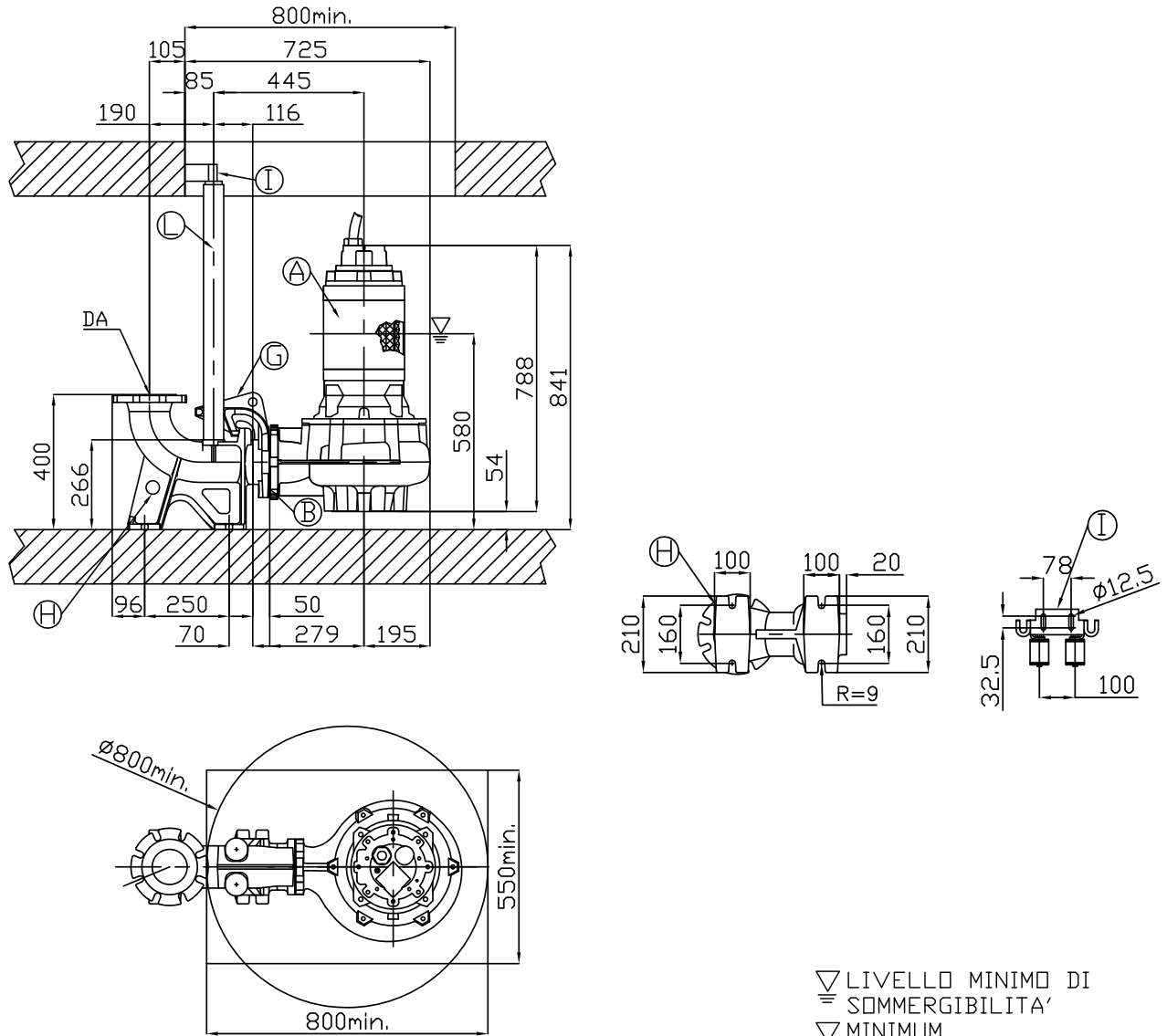
▽ LIVELLO MINIMO DI
SOMMERSIBILITA'
▽ MINIMUM
▽ SUBMERSIBLE LEVEL

POSITION	DESCRIPTION	MATERIAL	WEIGHT [kgf]
A	SUBMERSIBLE PUMP	-	-
B	RUBBER JOINT DN80	NEOPRENE	-
C	SUCTION ELBOW 90°	GALVANIZED STEEL	27
D	X FOOT REST	GALVANIZED STEEL	5
F	DELIVERY ELBOW 90° DN80	G250 CAST-IRON	6
G	DOUBLE GUIDE RAIL COUPLING FLANGE DN80	G250 CAST IRON	10
H	DOUBLE GUIDE CUOPLING FEET DN80	G250 CAST-IRON	33
I	DOUBLE GUIDE RAIL UPPER SUPPORT 2"	GALVANIZED STEEL	1.9
L	GUIDE RAIL 2"	GALVANIZED STEEL	-

100DMLVF/100DMLVF with QDC (5.2 kW)



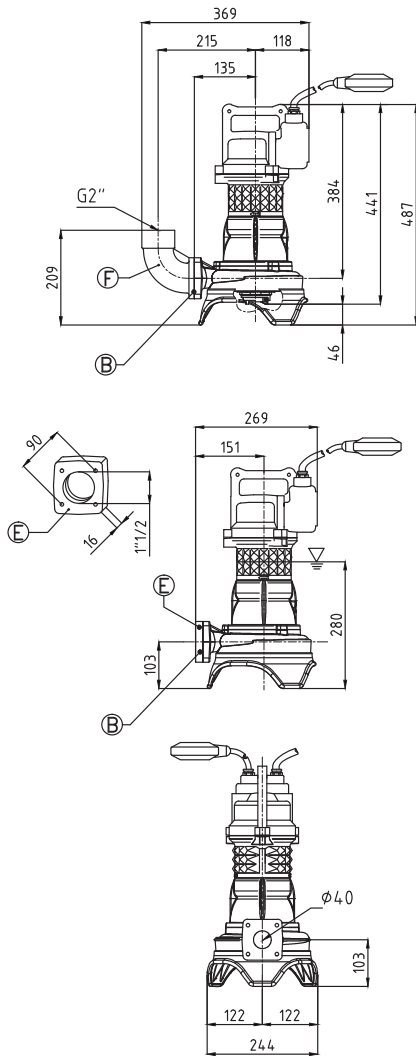
Size DA	Model	Output [kW]	Weight [kgf]
DN 100 PN10 UNI 2277-67 (DIN 2576)	100DMLVF55.2T6BG	5.2	170



▽ LIVELLO MINIMO DI
SOMMERSIBILITA'
▽ MINIMUM
SUBMERSIBLE LEVEL

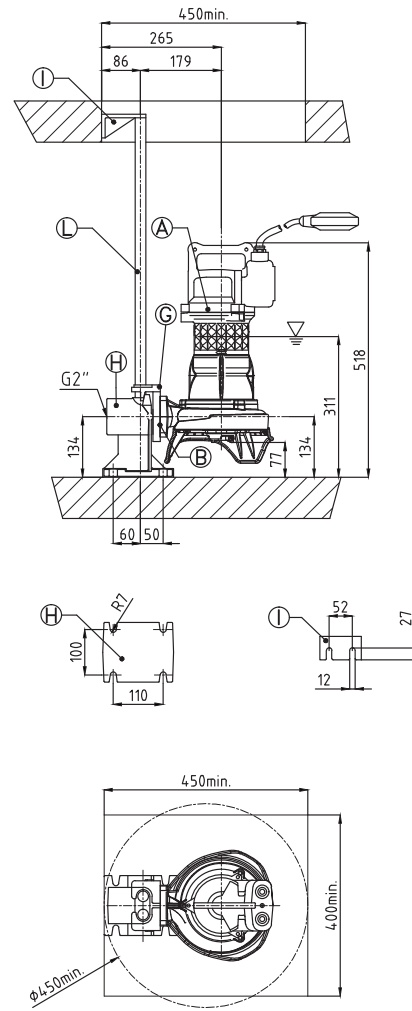
POSITION	DESCRIPTION	MATERIAL	WEIGHT [kgf]
A	SUBMERSIBLE PUMP	-	-
B	RUBBER JOINT DN100	NEOPRENE	-
C	SUCTION ELBOW 90°	GALVANIZED STEEL	27
D	X FOOT REST	GALVANIZED STEEL	5
F	DELIVERY ELBOW 90° DN100	G250 CAST-IRON	10
G	DOUBLE GUIDE RAIL COUPLING FLANGE DN100	G250 CAST IRON	12
H	DOUBLE GUIDE CUOPLING FEET DN100	G250 CAST-IRON	35
I	DOUBLE GUIDE RAIL UPPER SUPPORT 2"	GALVANIZED STEEL	1,9
L	GUIDE RAIL 2"	GALVANIZED STEEL	-

40DRS/40DRS with QDC (1.1 kW)



▽ MINIMUM SUBMERSIBLE LEVEL

P

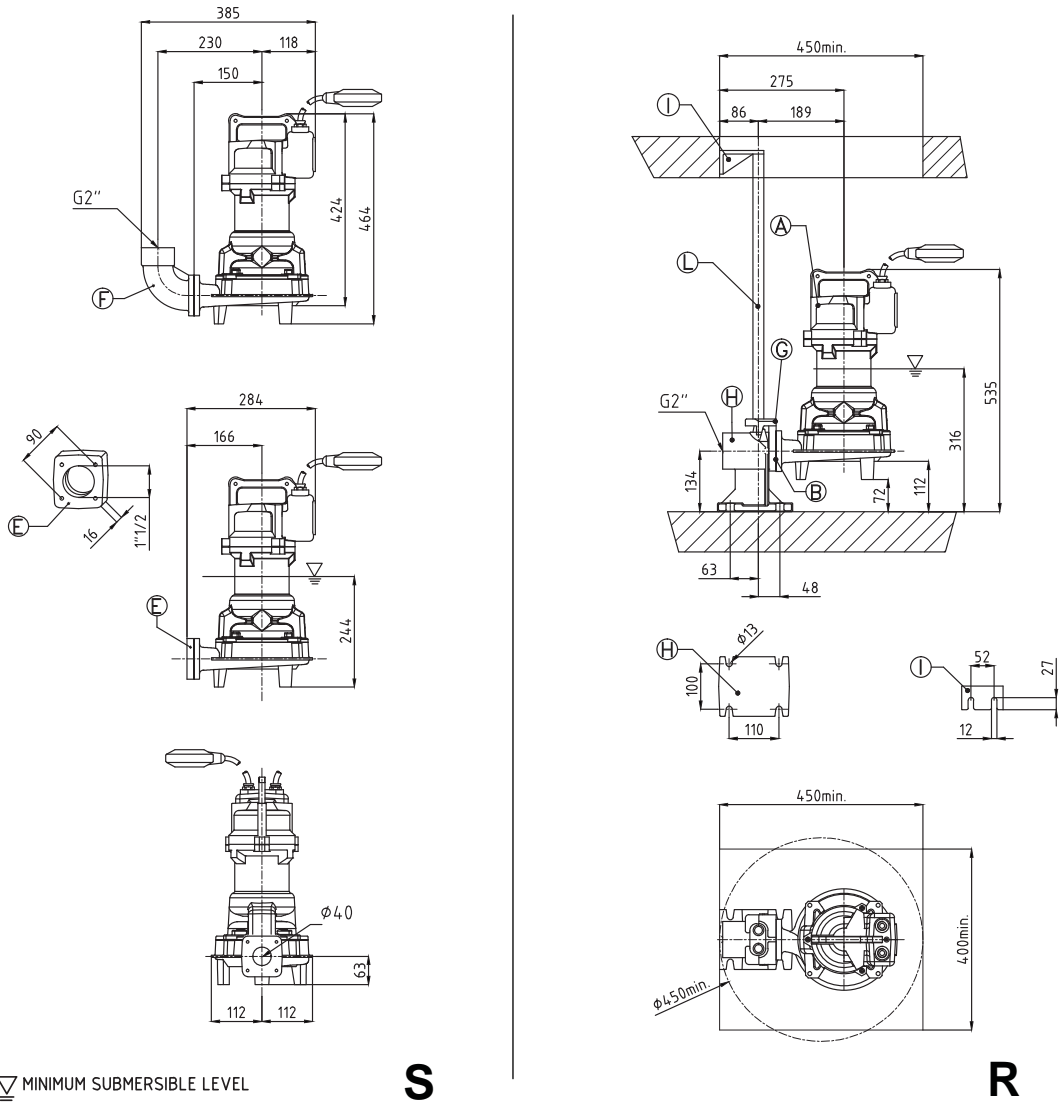


R

Size DA	Model	Output [kW]	Weight [kg]
40	40DRS51.1M2CG	1.1	30
	40DRS51.1M2BG	1.1	30
	40DRS51.1M2AG	1.1	30

Pos.	Description	Material	Weight Kg
A	Submersible Pump		-
B	Rubber joint DN50	Neoprene	-
Type: P			
E	Threaded flange 1 1/2"	G250 Cast-Iron	1
F	Threaded elbow 90° 2"	G250 Cast-Iron	3
Type: R			
G	Double guide rail coupling flange DN50	GS400 Cast-Iron	1.5
H	Double guide coupling feet DN50	G250 Cast-Iron	6
I	Double guide rail upper support 3/4"	G250 Cast-Iron	1.1
L	Guide rail 3/4"	Galvanized Steel	-

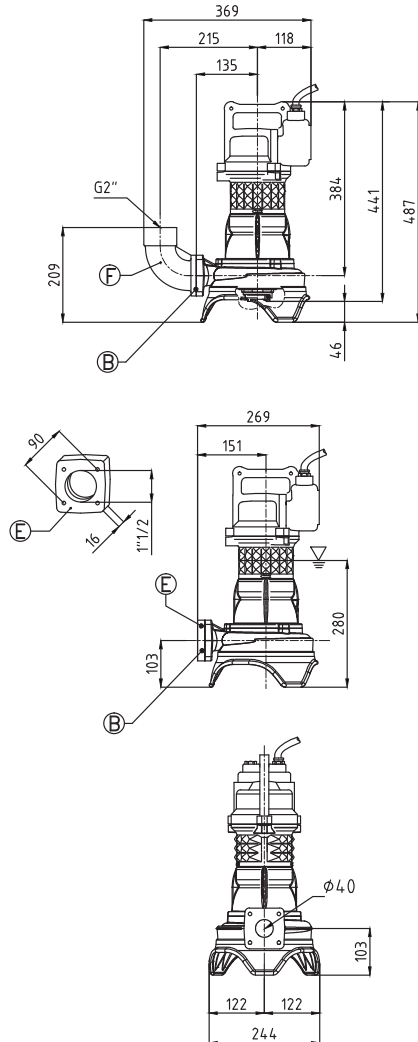
40DRS/40DRS with QDC (1.1 ÷ 1.9 kW)



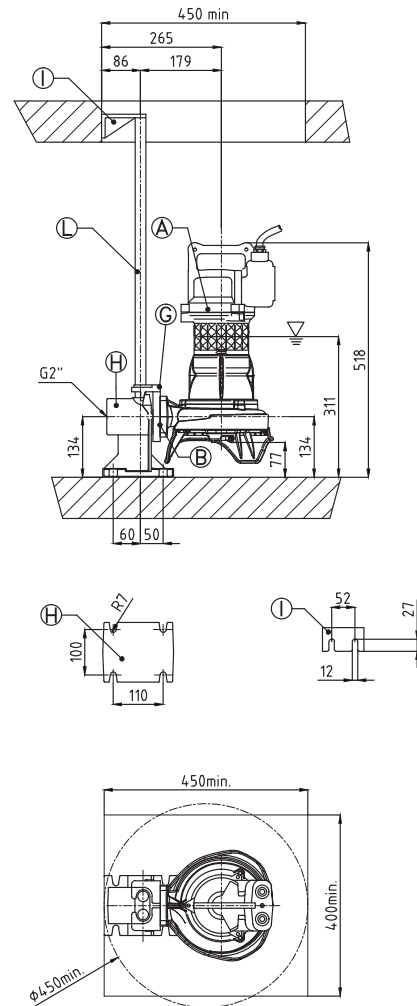
Size DA	Model	Output [kW]	Weight [kg]
40	40DRS51.2M2CG	1.1	40
	40DRS51.5M2BG	1.5	40
	40DRS51.9M2AG	1.9	40

Pos.	Description	Material	Weight Kg
A	Submersible Pump		-
B	Rubber joint DN50	Neoprene	-
Type: S			
E	Threaded flange 1 1/2"	G250 Cast-Iron	1
F	Threaded elbow 90° 2"	G250 Cast-Iron	3
Type: R			
G	Double guide rail coupling flange DN50	GS400 Cast-Iron	1.5
H	Double guide coupling feet DN50	G250 Cast-Iron	6
I	Double guide rail upper support 3/4"	G250 Cast-Iron	1.1
L	Guide rail 3/4"	Galvanized Steel	-

40DRS/40DRS with QDC (1.1 ÷ 1.4 kW)



P



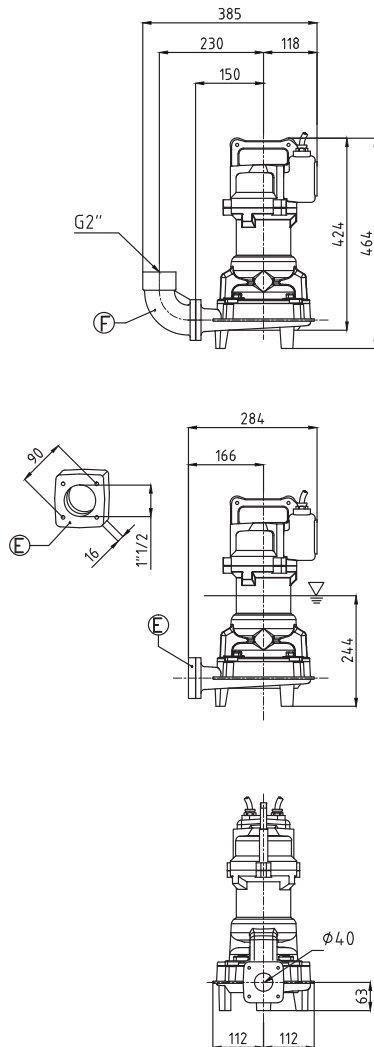
R

▽ MINIMUM SUBMERSIBLE LEVEL

Size DA	Model	Output [kW]	Weight [kg]
40	40DRS51.1T2CG	1,1	30
	40DRS51.1T2BG	1,1	30
	40DRS51.4T2AG	1,4	30

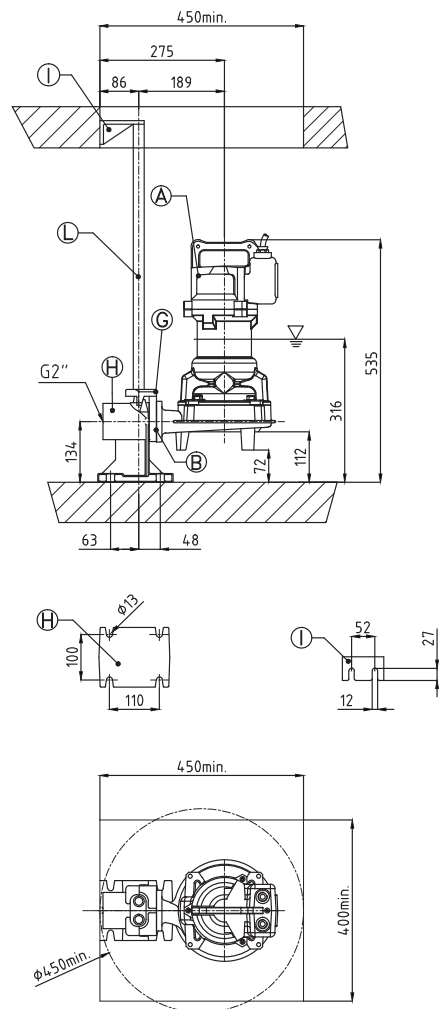
Pos.	Description	Material	Weight Kg
A	Submersible Pump		-
B	Rubber joint DN50	Neoprene	-
Type: P			
E	Threaded flange 1" 1/2	G250 Cast-Iron	1
F	Threaded elbow 90° 2"	G250 Cast-Iron	3
Type: R			
G	Double guide rail coupling flange DN50	GS400 Cast-Iron	1,5
H	Double guide coupling feet DN50	G250 Cast-Iron	6
I	Double guide rail upper support 3/4"	G250 Cast-Iron	1,1
L	Guide rail 3/4"	Galvanized Steel	-

40DRS/40DRS with QDC (1.6 ÷ 2.4 kW)



▽ MINIMUM SUBMERSIBLE LEVEL

S

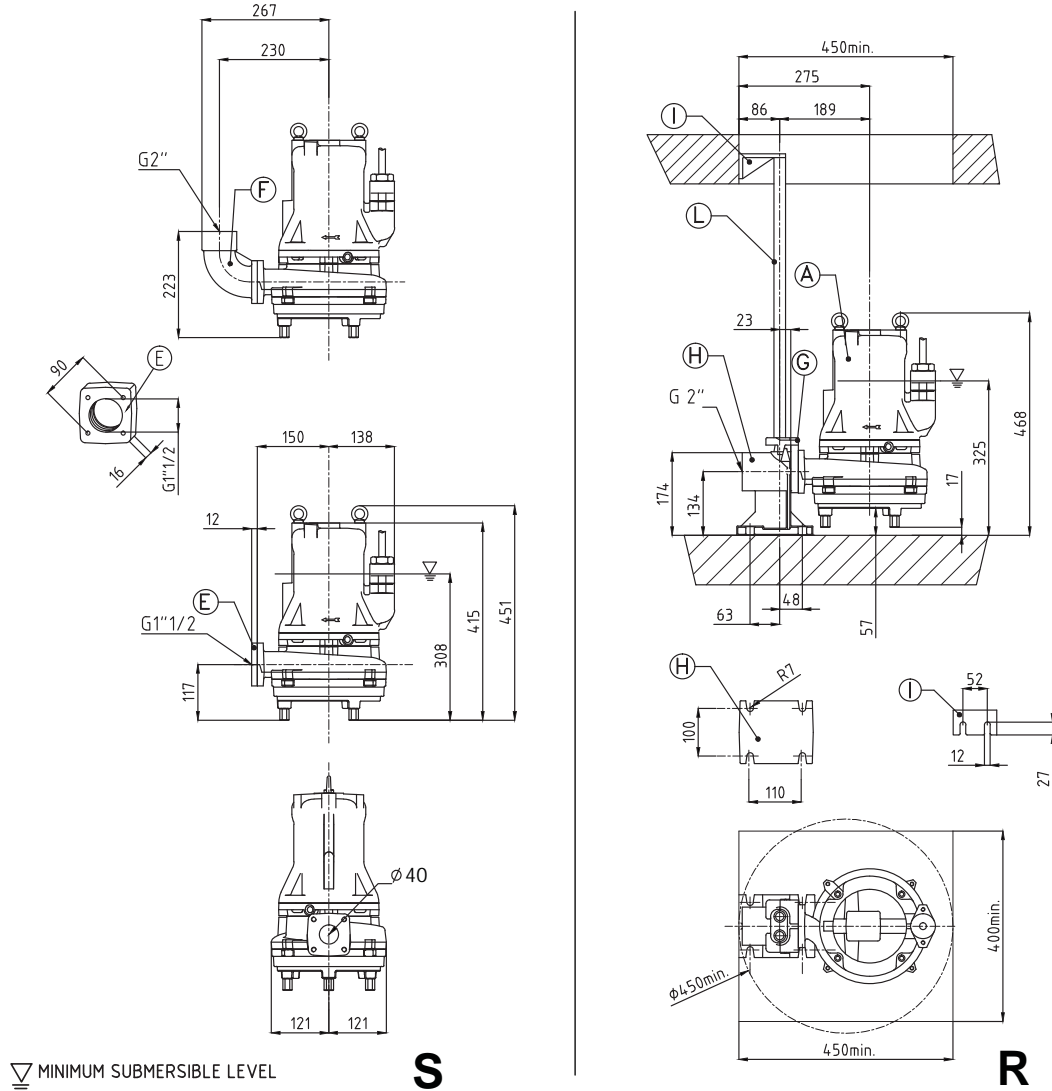


R

Size DA	Model	Output [kW]	Weight [kg]
40	40DRS51.6T2CG	1.6	40
	40DRS51.6T2BG	1.6	40
	40DRS52.4T2AG	2.4	40

Pos.	Description	Material	Weight Kg
A	Submersible Pump		-
B	Rubber joint DN50	Neoprene	-
Type: S			
E	Threaded flange 1" 1/2	G250 Cast-Iron	1
F	Threaded elbow 90° 2"	G250 Cast-Iron	3
Type: R			
G	Double guide rail coupling flange DN50	GS400 Cast-Iron	1,5
H	Double guide coupling feet DN50	G250 Cast-Iron	6
I	Double guide rail upper support 3/4"	G250 Cast-Iron	1,1
L	Guide rail 3/4"	Galvanized Steel	-

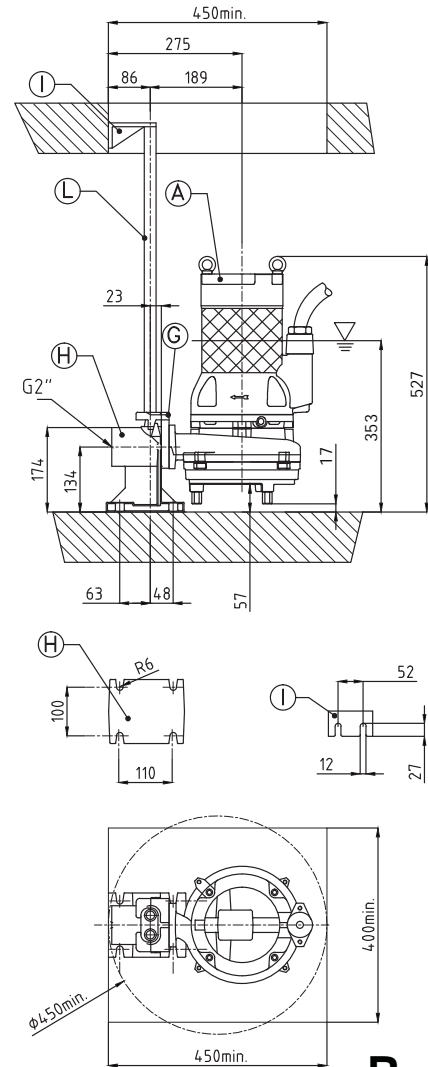
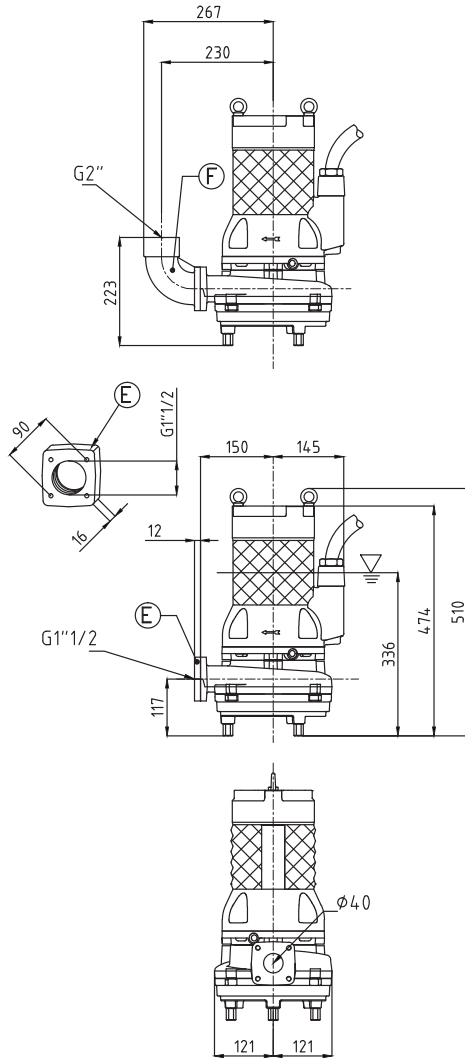
40DRS/40DRS with QDC (3.1 kW)



Size DA	Model	Output [kW]	Weight [kg]
40	40DRS53.1T2BG	3,1	52
	40DRS53.1T2AG	3,1	52

Pos.	Description	Material	Weight Kg
A	Submersible Pump		-
B	Rubber joint DN50	Neoprene	-
Type: S			
E	Threaded flange 1\"1/2	G250 Cast-Iron	1
F	Threaded elbow 90° 2"	G250 Cast-Iron	3
Type: R			
G	Double guide rail coupling flange DN50	GS400 Cast-Iron	1.5
H	Double guide coupling feet DN50	G250 Cast-Iron	6
I	Double guide rail upper support 3/4"	G250 Cast-Iron	1.1
L	Guide rail 3/4"	Galvanized Steel	-

40DRS/40DRS with QDC (4.2 ÷ 5.0 kW)



▽ MINIMUM SUBMERSIBLE LEVEL

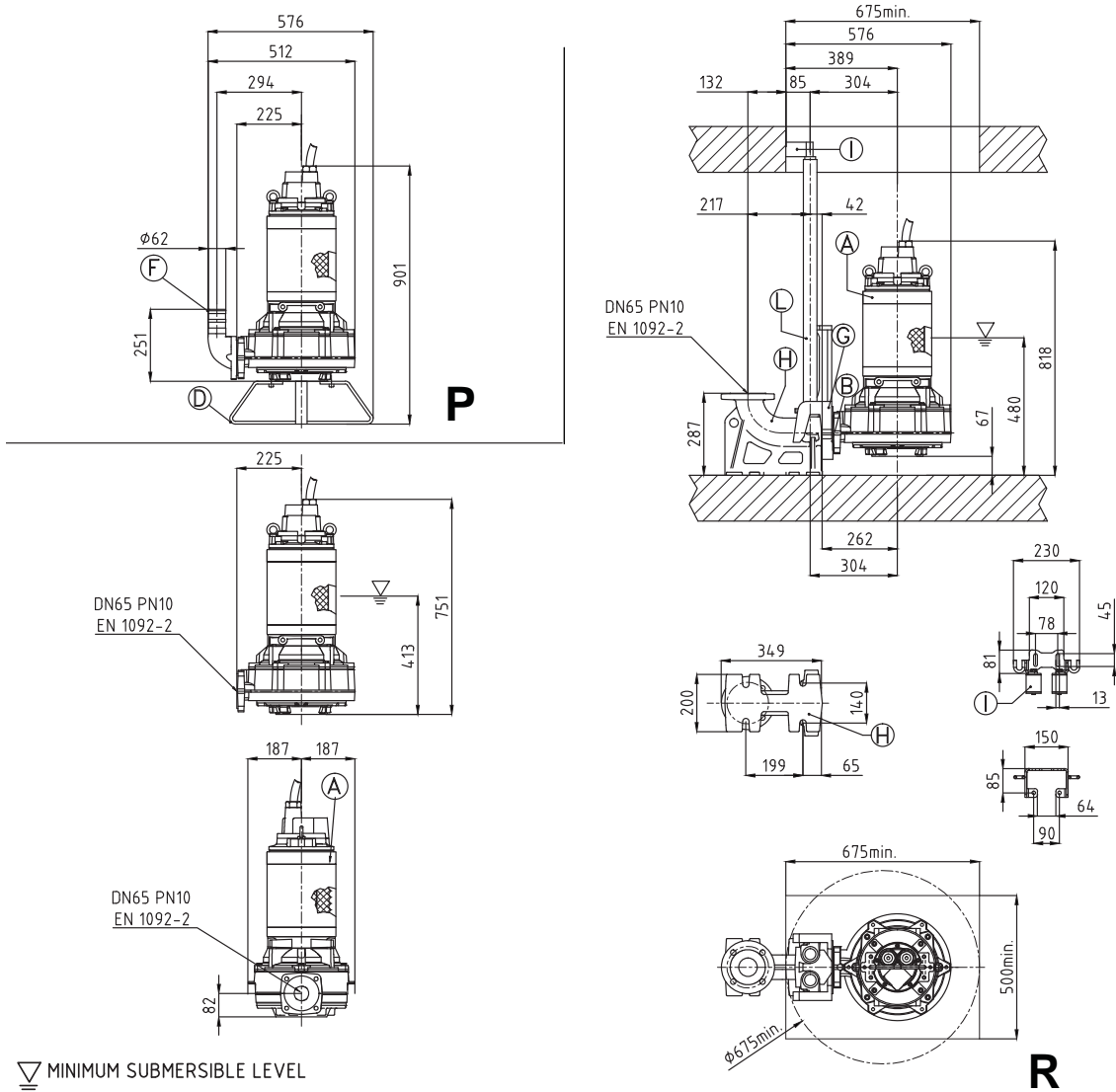
S

R

Size DA	Model	Output [kW]	Weight [kg]
40	40DRS54.2T2CG	4.2	67
	40DRS55T2BG	5.0	67
	40DRS55T2AG	5.0	67

Pos.	Description	Material	Weight Kg
A	Submersible Pump		-
B	Rubber joint DN50	Neoprene	-
Type: S			
E	Threaded flange 1 1/2"	G250 Cast-Iron	1
F	Threaded elbow 90° 2"	G250 Cast-Iron	3
Type: R			
G	Double guide rail coupling flange DN50	GS400 Cast-Iron	1.5
H	Double guide coupling feet DN50	G250 Cast-Iron	6
I	Double guide rail upper support 3/4"	G250 Cast-Iron	1.1
L	Guide rail 3/4"	Galvanized Steel	-

65DRS/65DRS with QDC (6.5 ÷ 7.5 kW)

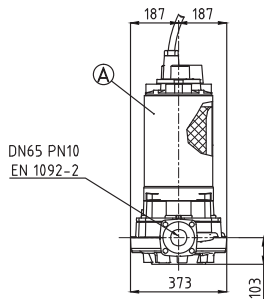
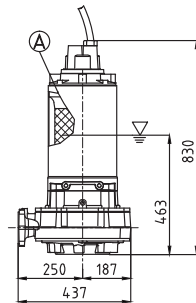
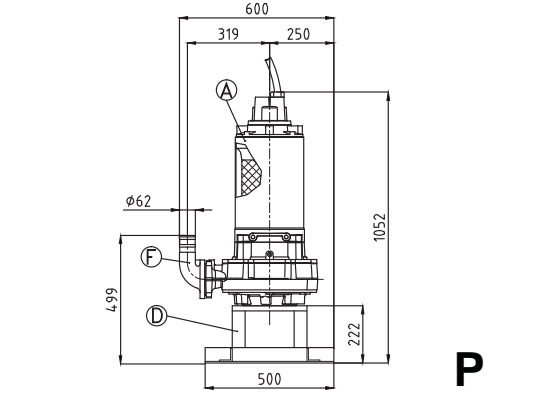


▽ MINIMUM SUBMERSIBLE LEVEL

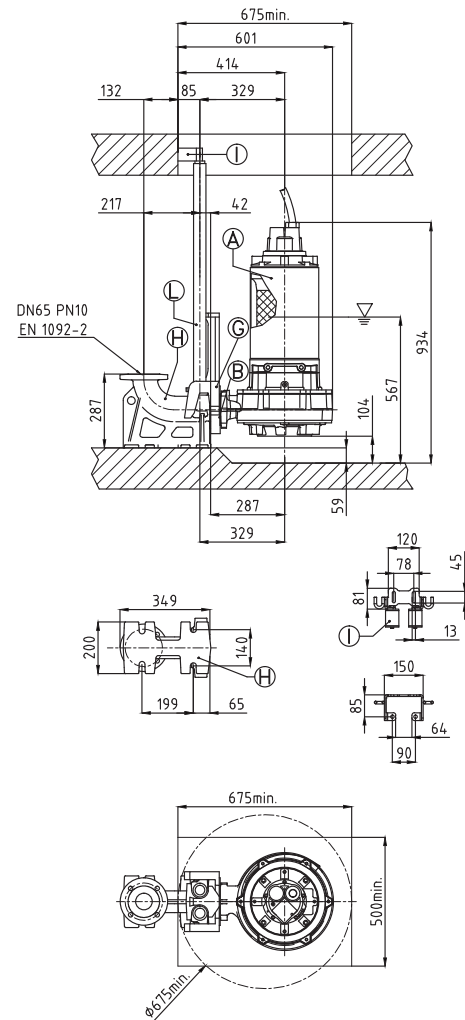
Size DA	Model	Output [kW]	Weight [kg]
DN65	65DRS56.5T2CG	6,5	178
EN 1092-2	65DRS57.5T2BG	7,5	178

Pos.	Description	Material	Weight Kg
A	Submersible Pump		-
B	Rubber joint DN65	Neoprene	-
Type: P			
D	X foot rest	Galvanized Steel	5
F	Delivery elbow 90° DN65	G250 Cast-Iron	3
Type: R			
G	Double guide rail coupling flange DN65	GS400 Cast-Iron	20
H	Double guide coupling feet DN65	G250 Cast-Iron	19
I	Double guide rail upper support 2"	G250 Cast-Iron	1.9
L	Guide rail 2"	Galvanized Steel	4.5

65DRS/65DRS with QDC (9.0 ÷ 14.9 kW)



▽ MINIMUM SUBMERSIBLE LEVEL

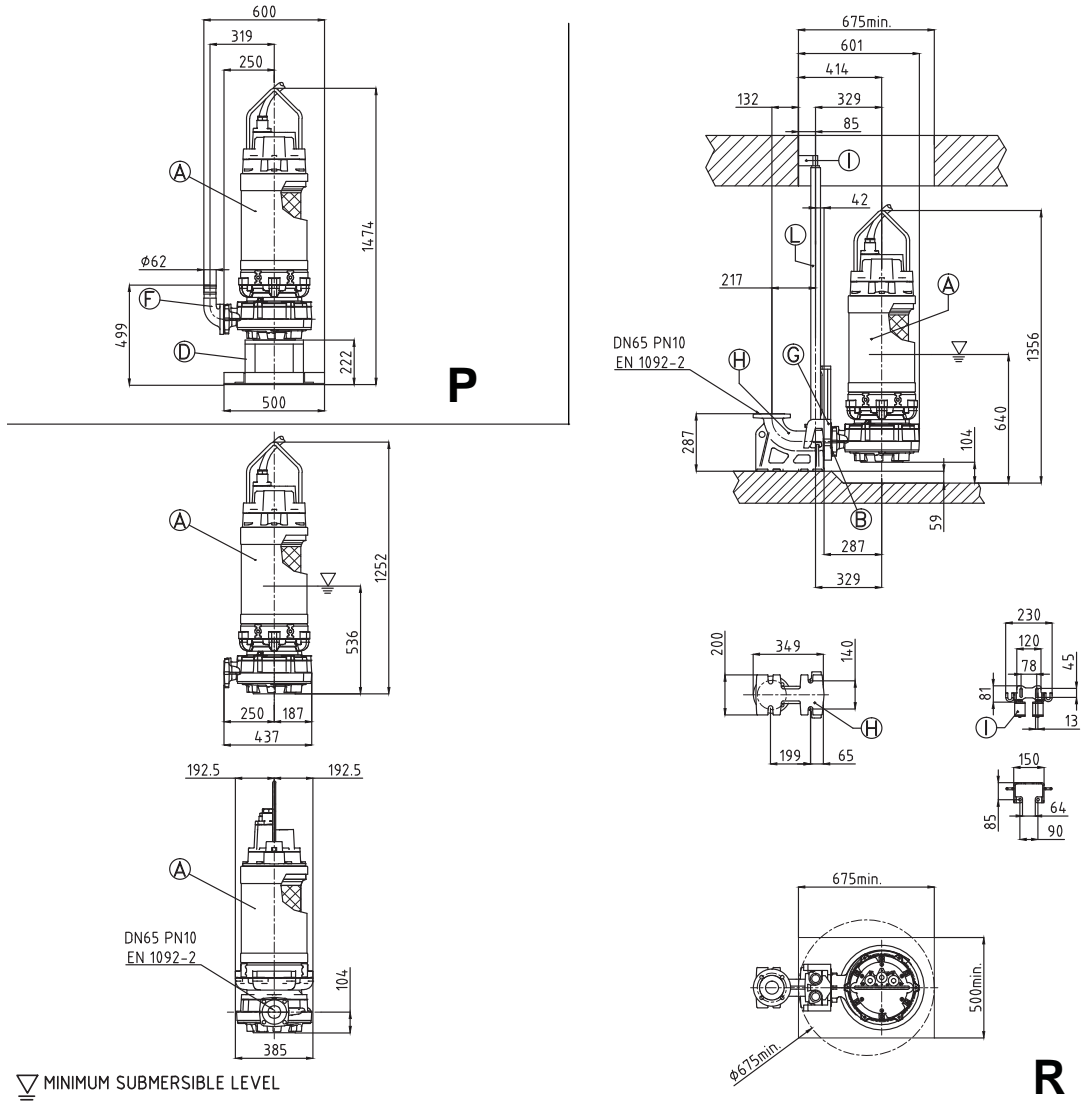


R

Size DA	Model	Output [kW]	Weight [kg]
DN65 EN 1092-2	65DRS59T2DG	9.0	200
	65DRS511T2CG	11.0	200
	65DRS513.8T2BG	13.8	200
	65DRS513.8T2AG	13.8	200
	65DRS514.9T2GG	14.9	200

Pos.	Description	Material	Weight Kg
A	Submersible Pump		-
B	Rubber joint DN65	Neoprene	-
Type: P			
D	X foot rest	Galvanized Steel	25.1
F	Delivery elbow 90° DN65	G250 Cast-Iron	3
Type: R			
G	Double guide rail coupling flange DN65	GS400 Cast-Iron	20
H	Double guide coupling feet DN65	G250 Cast-Iron	19
I	Double guide rail upper support 2"	G250 Cast-Iron	1.9
L	Guide rail 2"	Galvanized Steel	4.5

65DRS/65DRS with QDC (20.0 ÷ 25.1 kW)

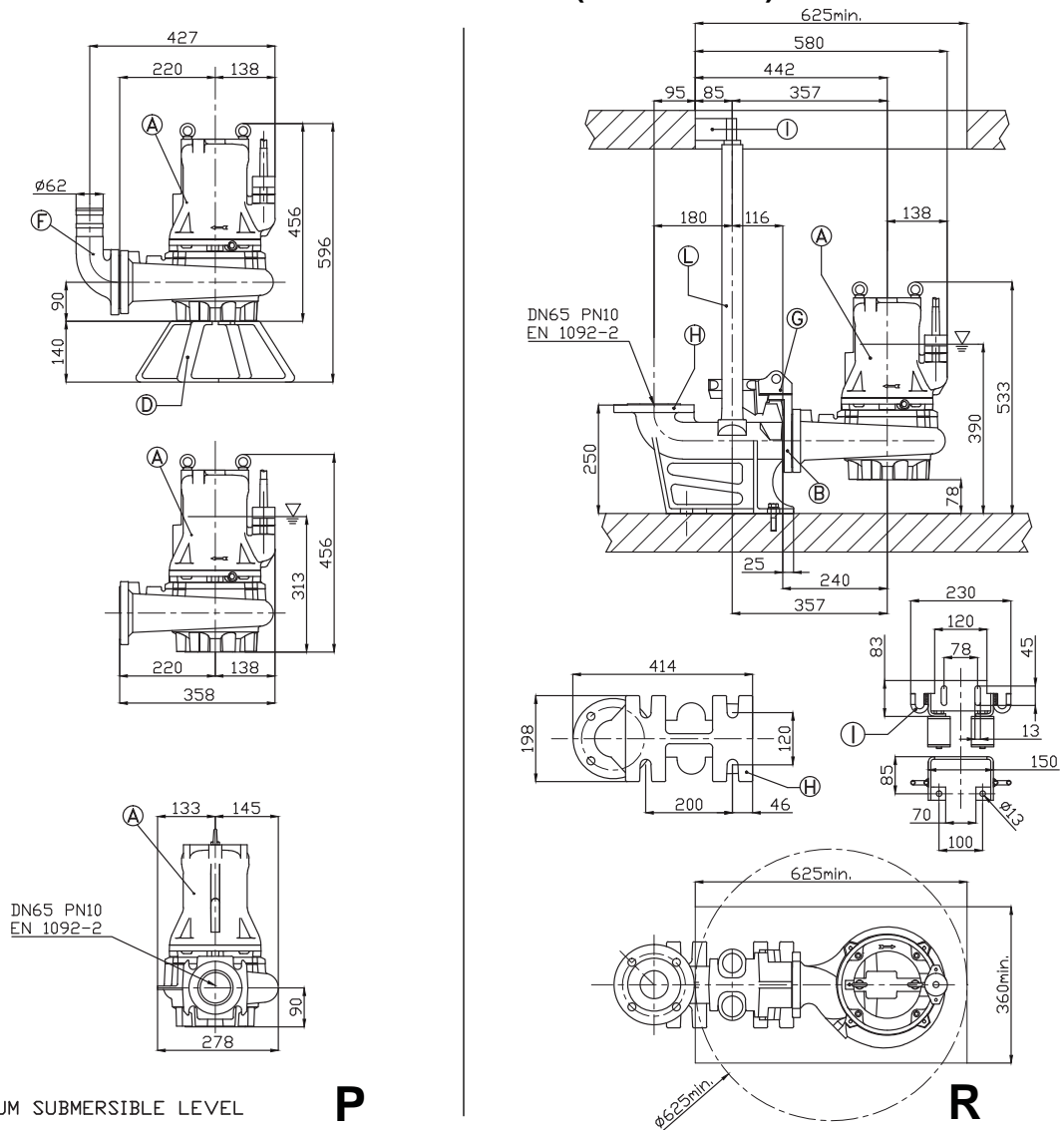


▽ MINIMUM SUBMERSIBLE LEVEL

Size DA	Model	Output [kW]	Weight [kg]
DN65 EN 1092-2	65DRS520T2BG	20.0	340
	65DRS522.4T2AG	22,4	340
	65DRS525.1T2AG	25,1	340

Pos.	Description	Material	Weight Kg
A	Submersible Pump		-
B	Rubber joint DN65	Neoprene	-
Type: P			
D	X foot rest	Galvanized Steel	25.1
F	Delivery elbow 90° DN65	G250 Cast-Iron	3
Type: R			
G	Double guide rail coupling flange DN65	GS400 Cast-Iron	20
H	Double guide coupling feet DN65	G250 Cast-Iron	19
I	Double guide rail upper support 2"	G250 Cast-Iron	1.9
L	Guide rail 2"	Galvanized Steel	4.5

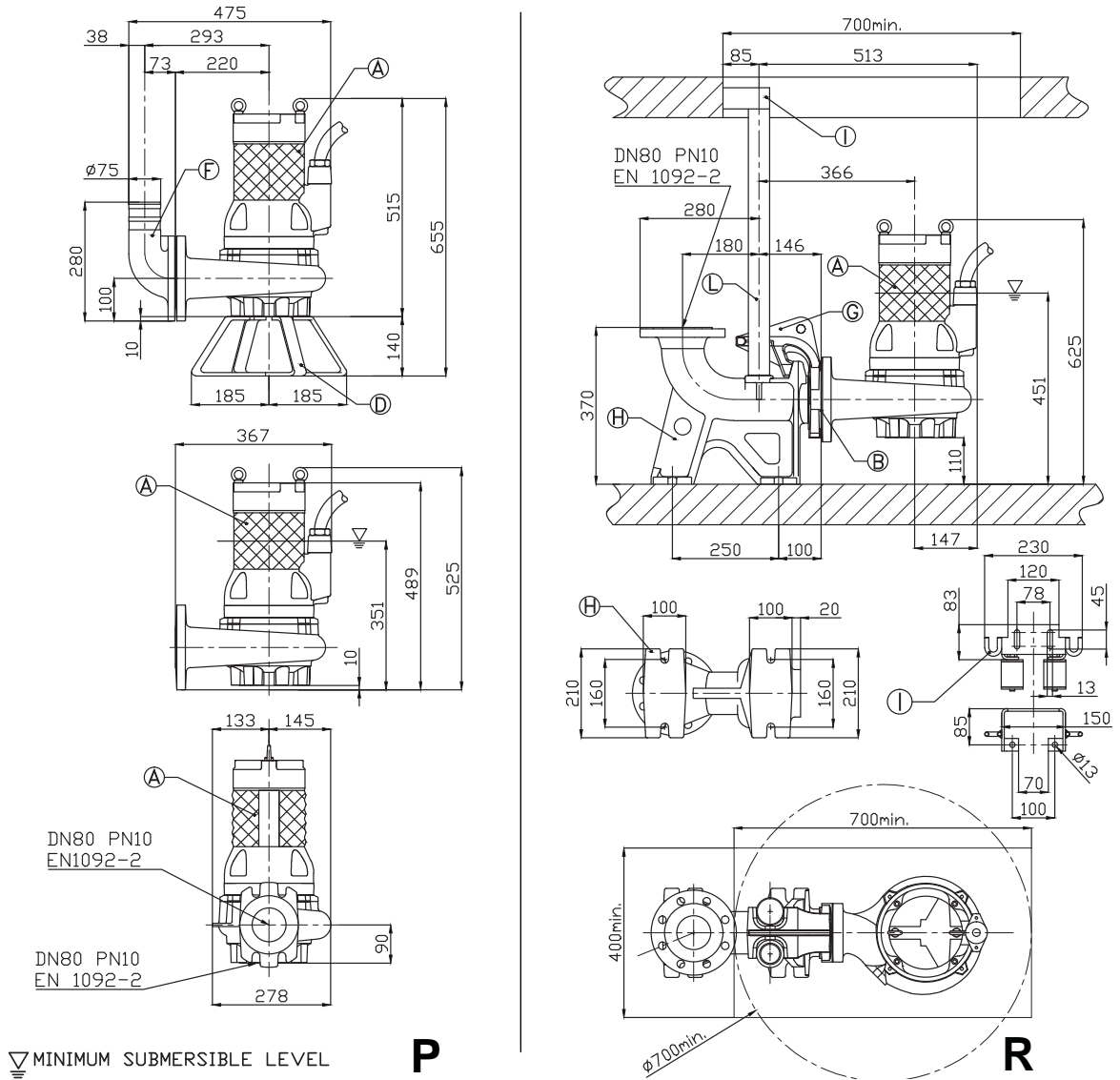
65DRD/65DRD with QDC (3.1 ÷ 3.6 kW)



Size DA	Model	Output [kW]	Weight [kg]
DN65	65DRD53.1T2CG	3,1	61
EN 1092-2	65DRD53.6T2BG	3,6	62

Pos.	Description	Material	Weight Kg
A	Submersible Pump		-
B	Rubber joint DN65	Neoprene	-
Type: P			
D	X foot rest	Galvanized Steel	3
F	Delivery elbow 90° DN65	G250 Cast-Iron	3
Type: R			
G	Double guide rail coupling flange DN65	GS250 Cast-Iron	3
H	Double guide coupling feet DN65	G250 Cast-Iron	19
I	Double guide rail upper support 2"	Galvanized Steel	1.9
L	Guide rail 2"	Galvanized Steel	4.5

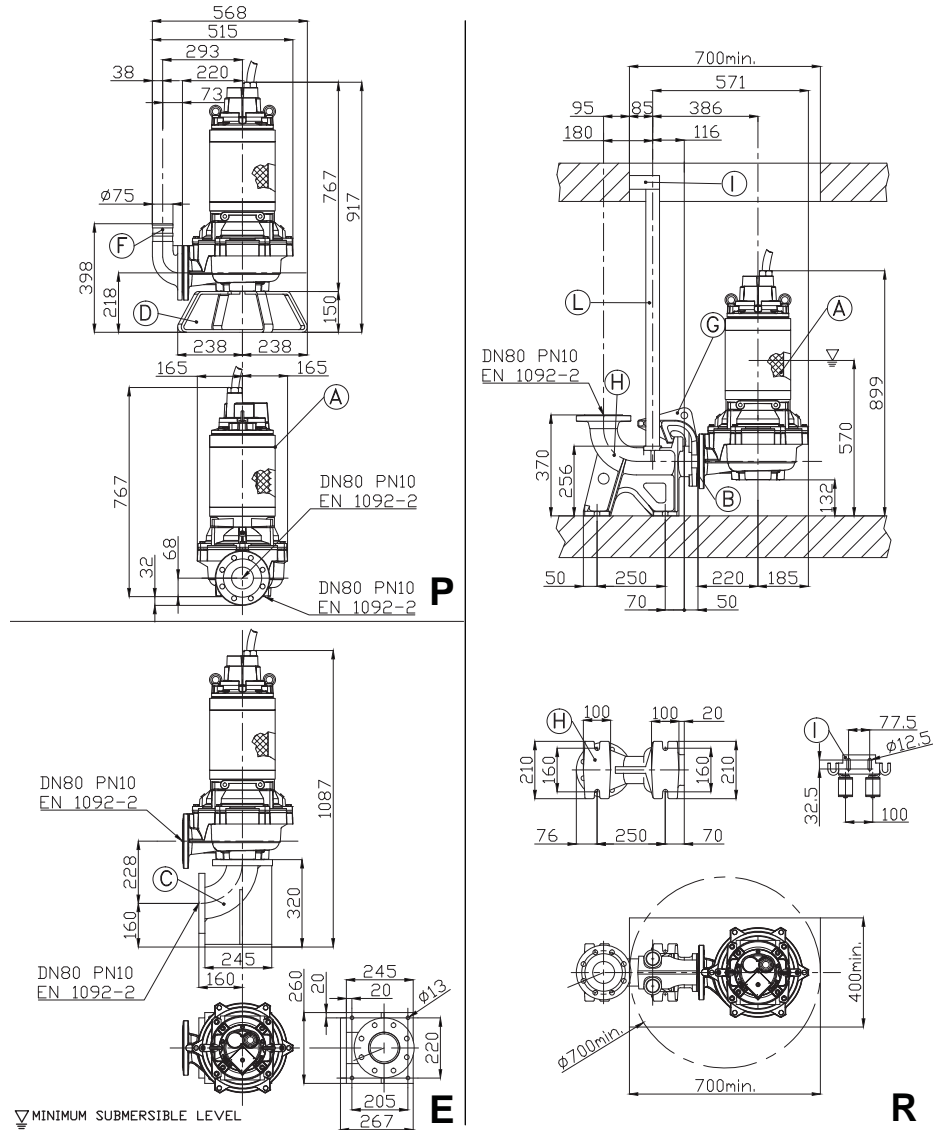
80DRD/80DRD with QDC (5.0 ÷ 6.0 kW)



Size DA	Model	Output [kW]	Weight [kg]
DN80	80DRD55T2BG	5.0	73
EN 1092-2	80DRD56T2AG	6.0	75

Pos.	Description	Material	Weight Kg
A	Submersible Pump		-
B	Rubber joint DN80	Neoprene	-
Type: P			
D	X foot rest	Galvanized Steel	3
F	Delivery elbow 90° DN80	G250 Cast-Iron	6
Type: R			
G	Double guide rail coupling flange DN80	GS250 Cast-Iron	10
H	Double guide coupling feet DN80	G250 Cast-Iron	33
I	Double guide rail upper support 2"	Galvanized Steel	1.9
L	Guide rail 2"	Galvanized Steel	4.5

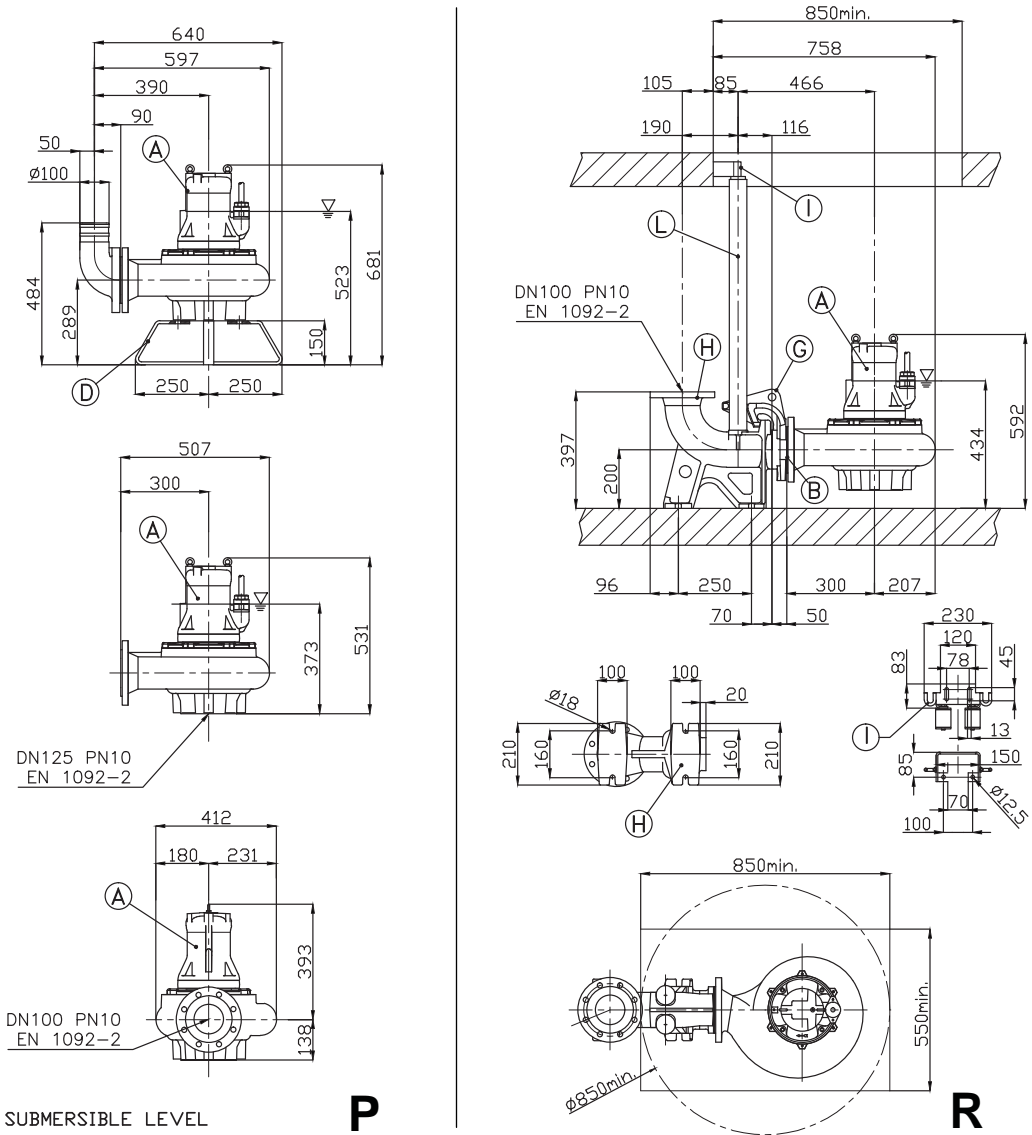
80DRD/80DRD with QDC (7.5 kW)



Size DA	Model	Output [kW]	Weight [kg]
DN80 EN 1092-2	80DRD57.5T2AG	7,5	150

Pos.	Description	Material	Weight Kg
A	Submersible Pump		-
B	Rubber joint DN80	Neoprene	-
Type: E			
C	Suction elbow 90°	Galvanized Steel	27
Type: P			
D	X foot rest	Galvanized Steel	5
F	Delivery elbow 90° DN80	G250 Cast-Iron	6
Type: R			
G	Double guide rail coupling flange DN80	GS250 Cast-Iron	10
H	Double guide coupling feet DN80	G250 Cast-Iron	33
I	Double guide rail upper support 2"	Galvanized Steel	1.9
L	Guide rail 2"	Galvanized Steel	4.5

100DRD/100DRD with QDC (2.7 kW)



▽ MINIMUM SUBMERSIBLE LEVEL

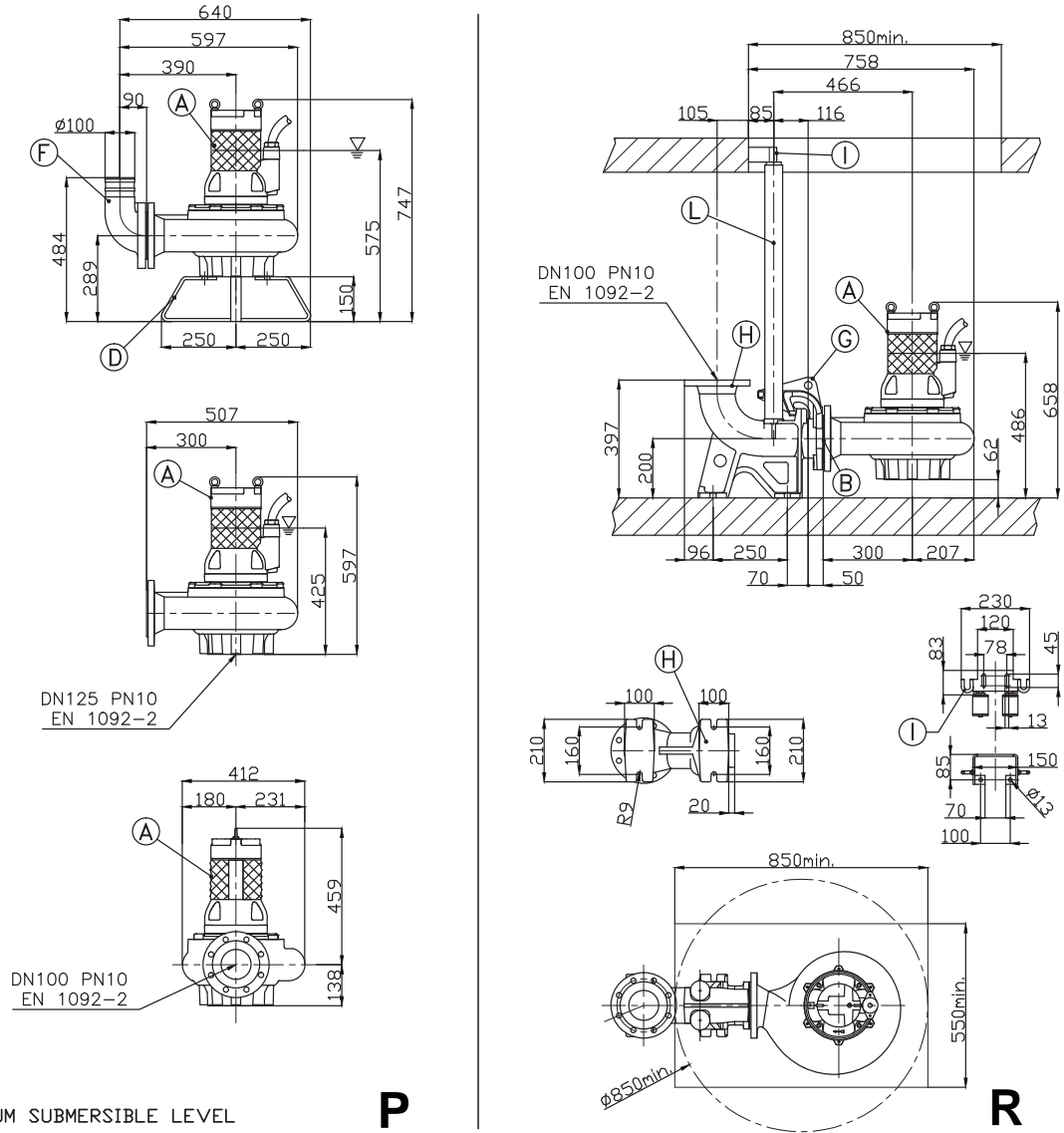
P

R

Size DA	Model	Output [kW]	Weight [kg]
DN100 EN 1092-2	100DRD52.7T6AG	2.7	96

Pos.	Description	Material	Weight Kg
A	Submersible Pump		-
B	Rubber joint DN100	Neoprene	-
Type: P			
D	X foot rest	Galvanized Steel	5
F	Delivery elbow 90° DN100	G250 Cast-Iron	10
Type: R			
G	Double guide rail coupling flange DN100	GS250 Cast-Iron	12
H	Double guide coupling feet DN100	G250 Cast-Iron	35
I	Double guide rail upper support 2"	Galvanized Steel	1.9
L	Guide rail 2"	Galvanized Steel	4.5

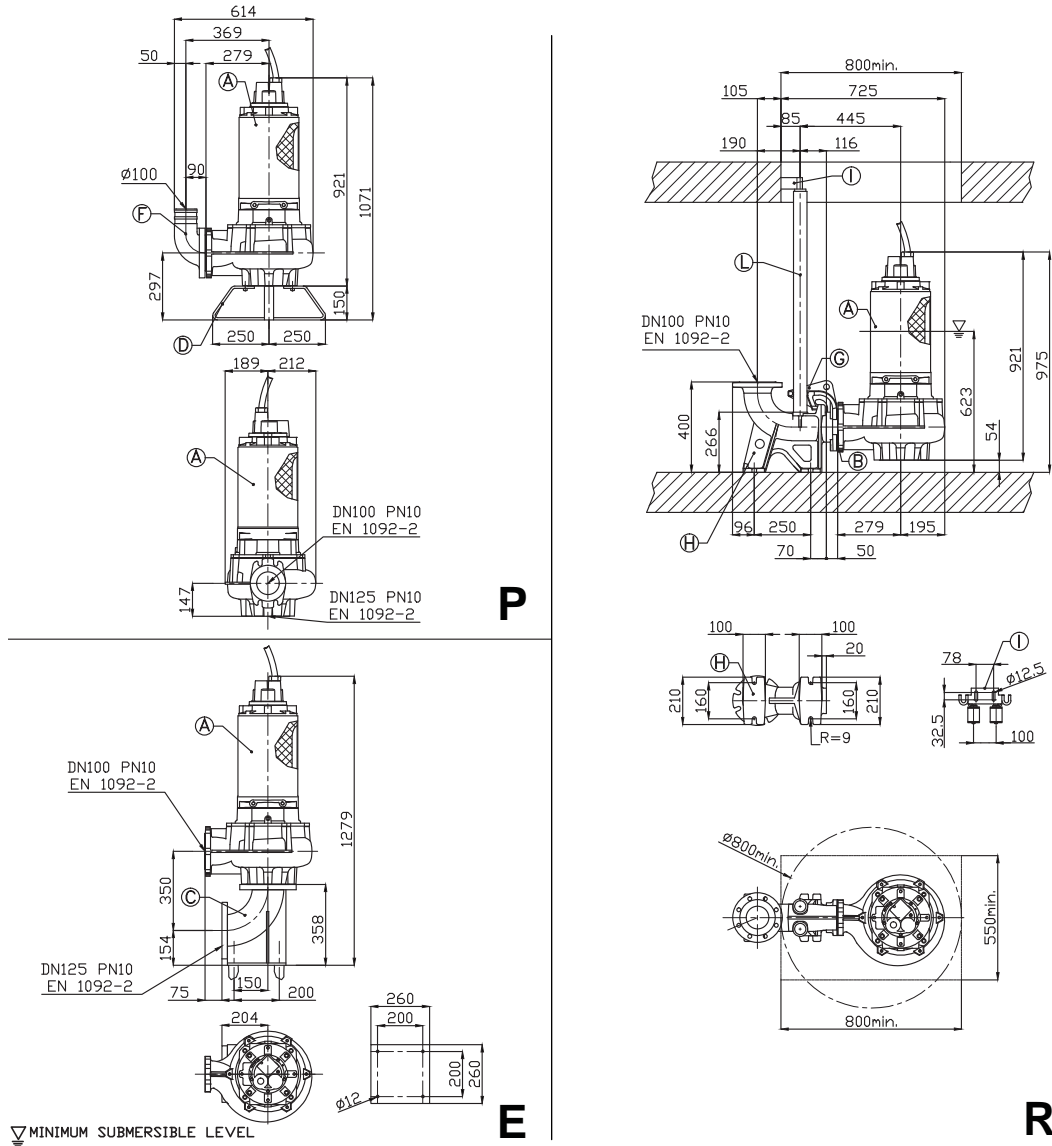
100DRD/100DRD with QDC (2.8 ÷ 4.6 kW)



Size DA	Model	Output [kW]	Weight [kg]
DN100 EN 1092-2	100DRD52.8T6AG	2,8	114
	100DRD54.6T4CG	4,6	115
	100DRD54.6T4BG	4,6	115

Pos.	Description	Material	Weight Kg
A	Submersible Pump		-
B	Rubber joint DN100	Neoprene	-
Type: P			
D	X foot rest	Galvanized Steel	5
F	Delivery elbow 90° DN100	G250 Cast-Iron	10
Type: R			
G	Double guide rail coupling flange DN100	GS250 Cast-Iron	12
H	Double guide coupling feet DN100	G250 Cast-Iron	35
I	Double guide rail upper support 2"	Galvanized Steel	1.9
L	Guide rail 2"	Galvanized Steel	4.5

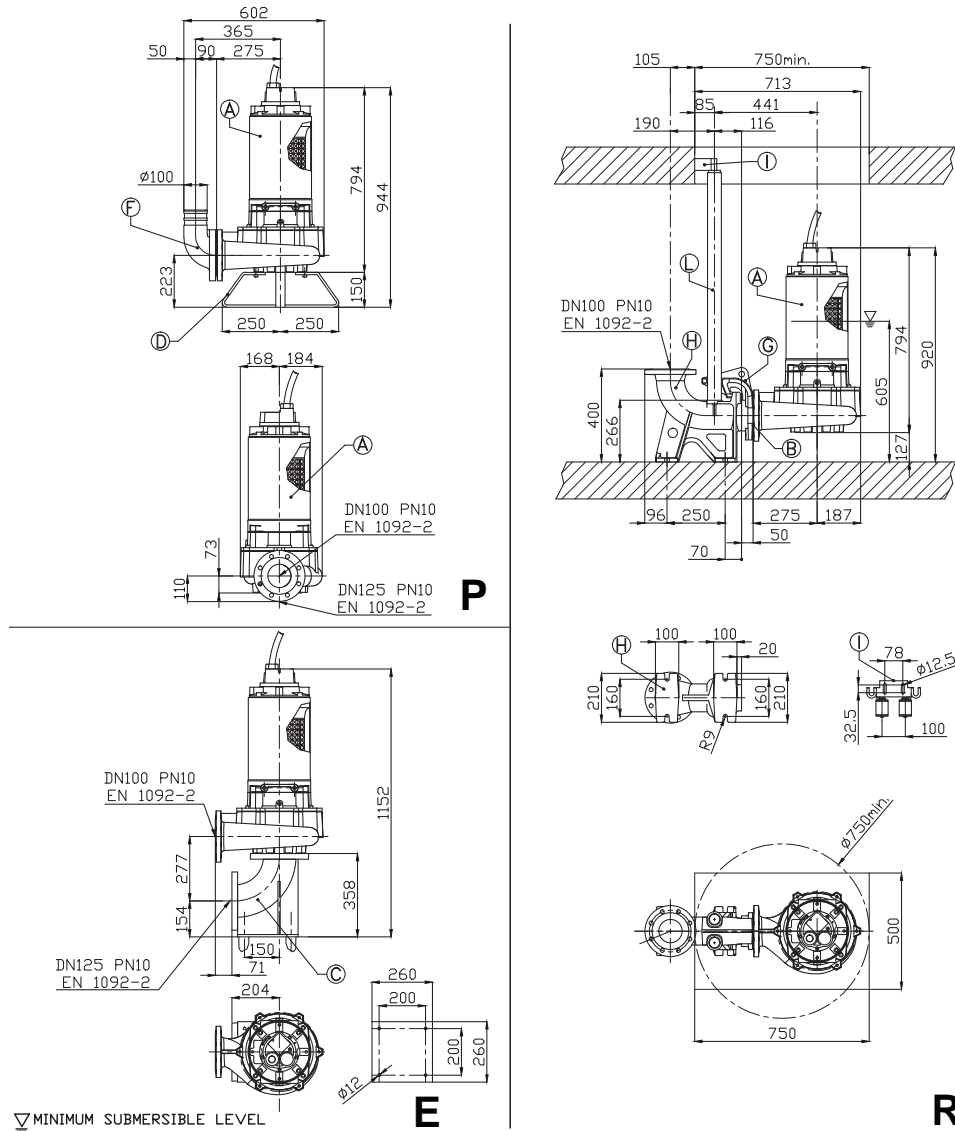
100DRD/100DRD with QDC (10.0 kW)



Size DA	Model	Output [kW]	Weight [kg]
DN100 EN 1092-2	100DRD510T4FG	10.0	205
	100DRD510T4AG	10.0	200

Pos.	Description	Material	Weight Kg
A	Submersible Pump		-
B	Rubber joint DN100	Neoprene	-
Type: E			
C	Suction elbow 90°	Galvanized Steel	27
Type: P			
D	X foot rest	Galvanized Steel	5
F	Delivery elbow 90° DN100	G250 Cast-Iron	10
Type: R			
G	Double guide rail coupling flange DN100	GS250 Cast-Iron	12
H	Double guide coupling feet DN100	G250 Cast-Iron	35
I	Double guide rail upper support 2"	Galvanized Steel	1.9
L	Guide rail 2"	Galvanized Steel	4.5

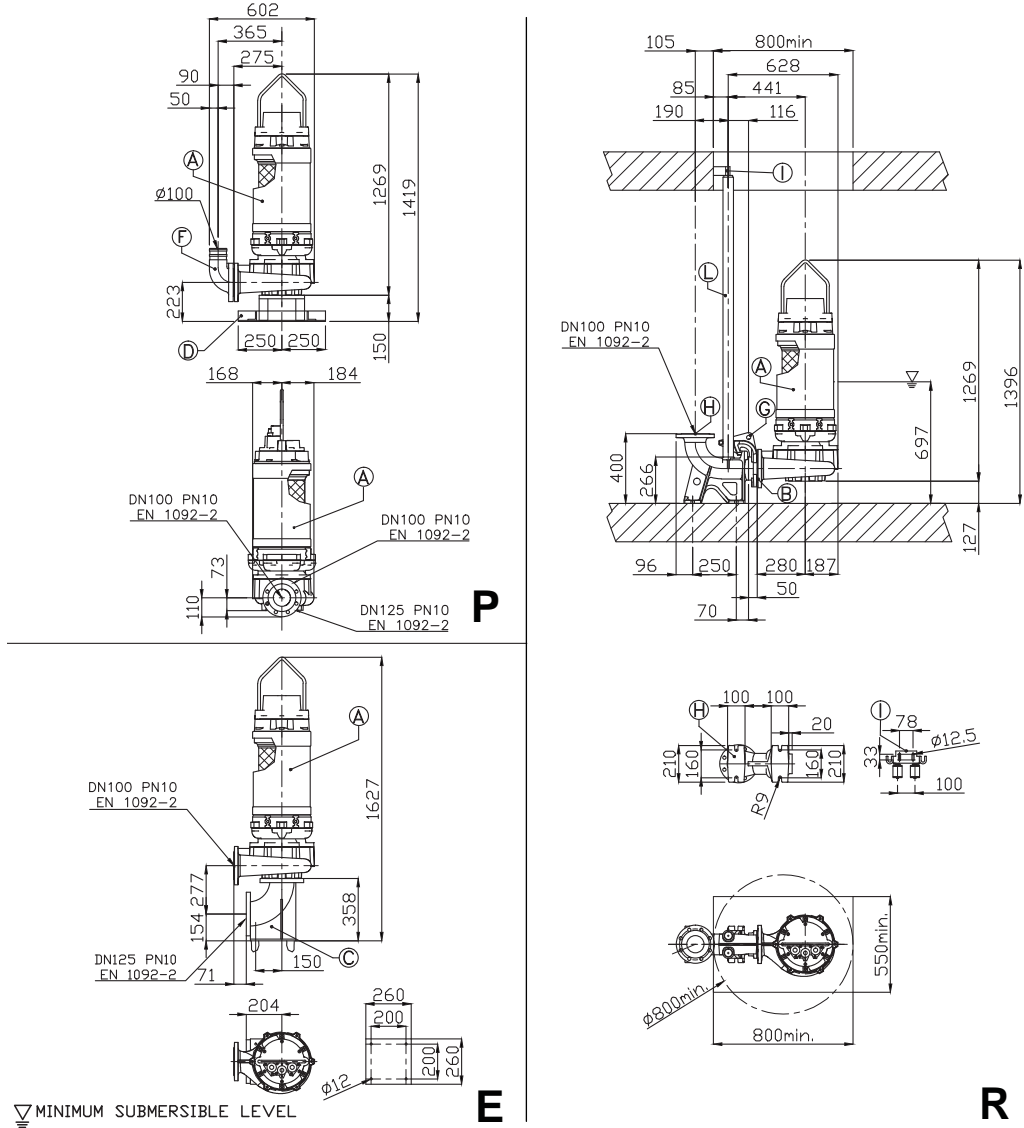
100DRD/100DRD with QDC (12.0 ÷ 18.2 kW)



Size DA	Model	Output [kW]	Weight [kg]
DN100 EN 1092-2	100DRD512T2DG	12.0	200
	100DRD514.9T2CG	14.9	195
	100DRD516.6T2BG	16.6	205
	100DRD518.2T2AG	18.2	206

Pos.	Description	Material	Weight Kg
A	Submersible Pump		-
B	Rubber joint DN100	Neoprene	-
Type: E			
C	Suction elbow 90°	Galvanized Steel	27
Type: P			
D	X foot rest	Galvanized Steel	5
F	Delivery elbow 90° DN100	G250 Cast-Iron	10
Type: R			
G	Double guide rail coupling flange DN100	GS250 Cast-Iron	12
H	Double guide coupling feet DN100	G250 Cast-Iron	35
I	Double guide rail upper support 2"	Galvanized Steel	1.9
L	Guide rail 2"	Galvanized Steel	4.5

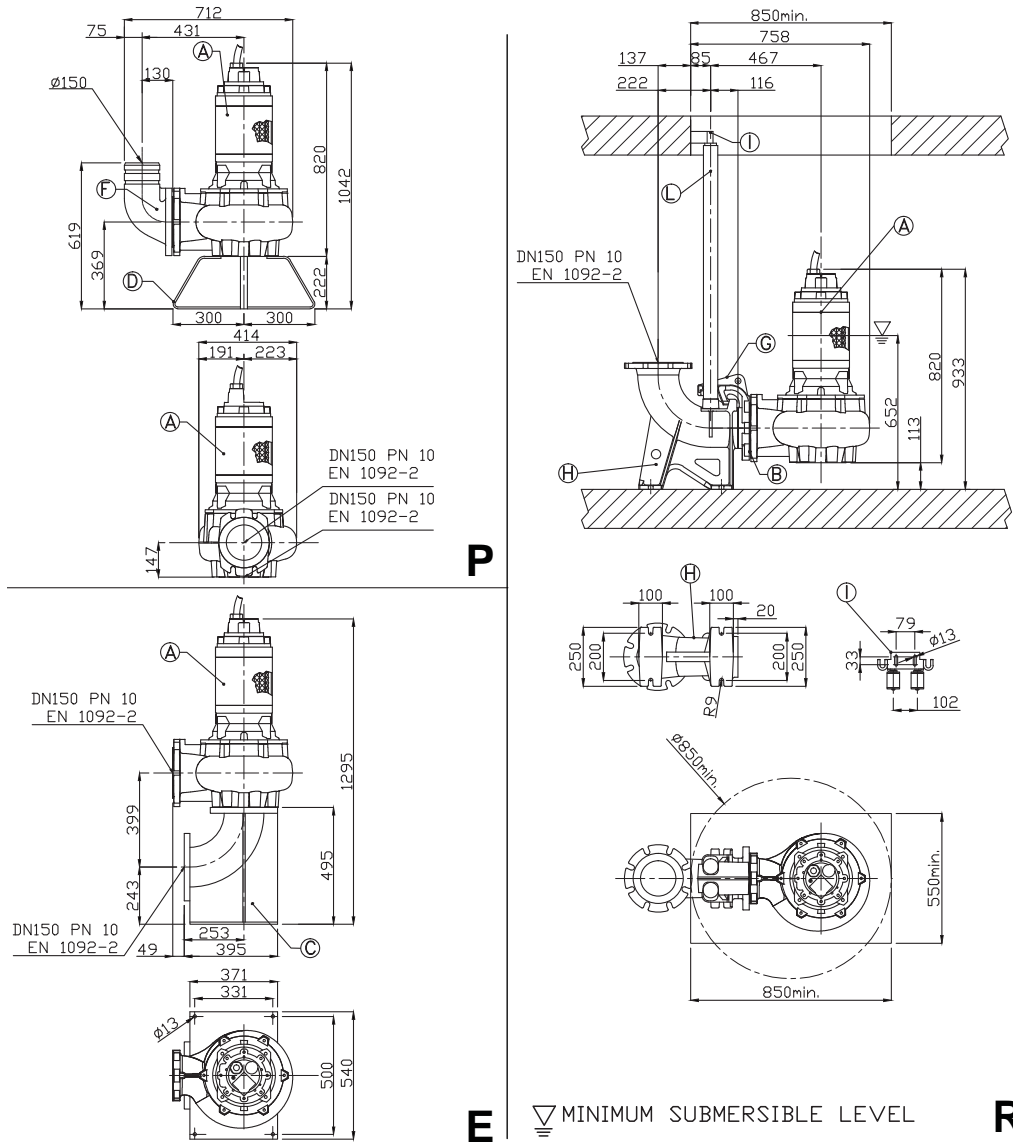
100DRD/100DRD with QDC (20.0 kW)



Size DA	Model	Output [kW]	Weight [kg]
DN100 EN 1092-2	100DRD520T2AG	20.0	340

Pos.	Description	Material	Weight Kg
A	Submersible Pump		-
B	Rubber joint DN100	Neoprene	-
Type: E			
C	Suction elbow 90°	Galvanized Steel	27
Type: P			
D	X foot rest	Galvanized Steel	23
F	Delivery elbow 90° DN100	G250 Cast-Iron	10
Type: R			
G	Double guide rail coupling flange DN100	GS250 Cast-Iron	12
H	Double guide coupling feet DN100	G250 Cast-Iron	35
I	Double guide rail upper support 2"	Galvanized Steel	1.9
L	Guide rail 2"	Galvanized Steel	4.5

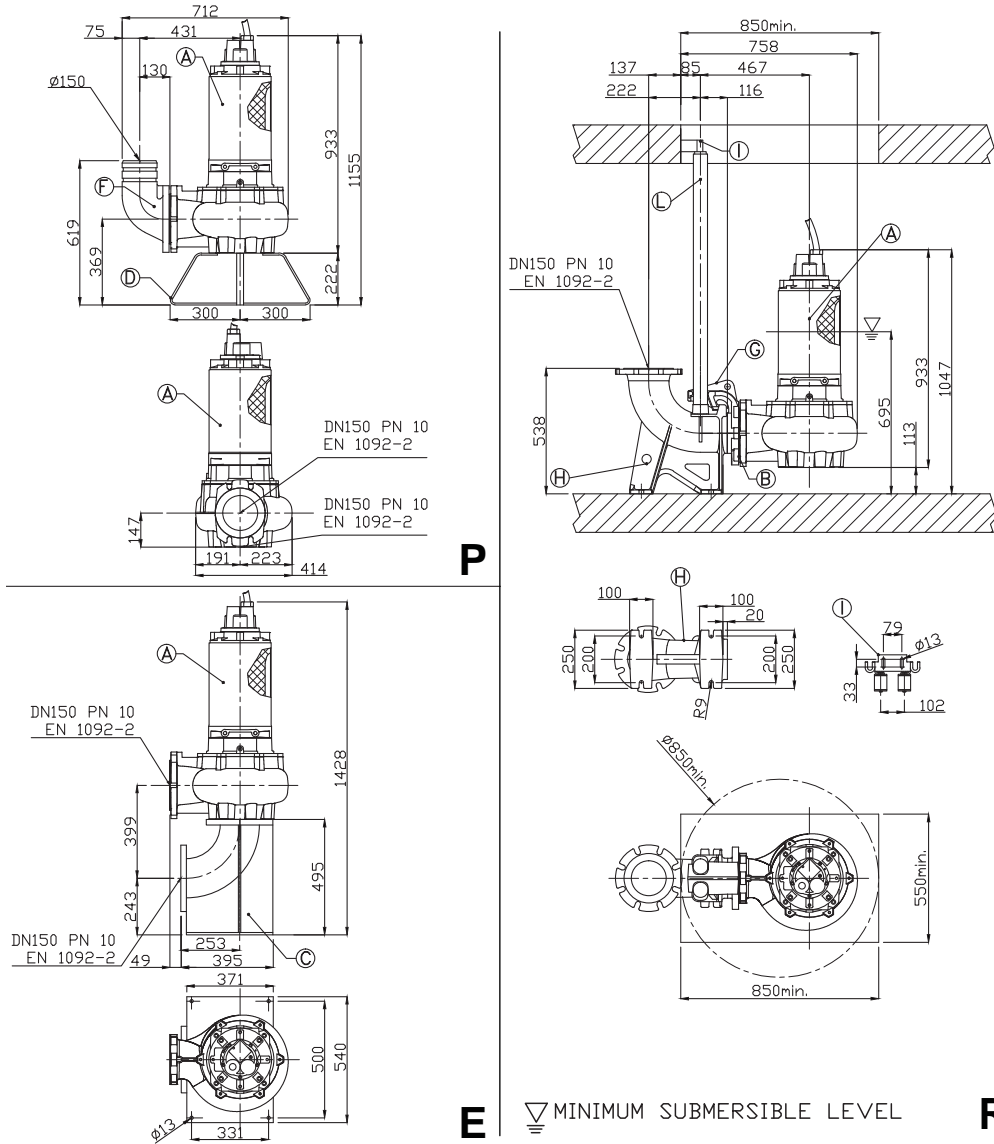
150DRD/150DRD with QDC (6.0 kW)



Size DA	Model	Output [kW]	Weight [kg]
DN150 EN 1092-2	150DRD56T6CG	6.0	190

Pos.	Description	Material	Weight Kg
A	Submersible Pump		-
B	Rubber joint DN150	Neoprene	-
Type: E			
C	Suction elbow 90°	Galvanized Steel	40
Type: P			
D	X foot rest	Galvanized Steel	9
F	Delivery elbow 90° DN150	G250 Cast-Iron	20
Type: R			
G	Double guide rail coupling flange DN150	GS250 Cast-Iron	12
H	Double guide coupling feet DN150	G250 Cast-Iron	60
I	Double guide rail upper support 2"	Galvanized Steel	1.9
L	Guide rail 2"	Galvanized Steel	4.5

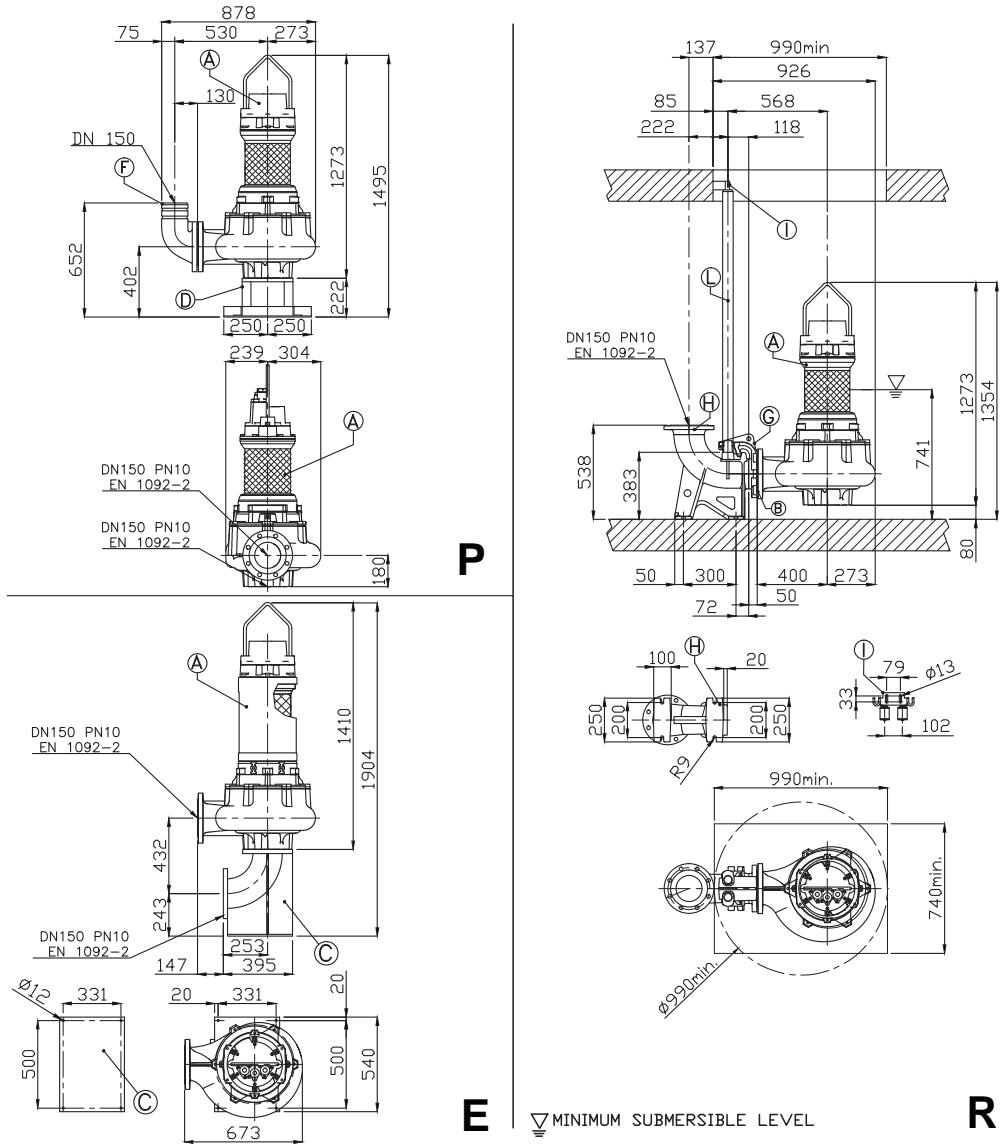
150DRD/150DRD with QDC (8.0 kW)



Size DA	Model	Output [kW]	Weight [kg]
DN150 EN 1092-2	150DRD58T6BG	8.0	220

Pos.	Description	Material	Weight Kg
A	Submersible Pump		-
B	Rubber joint DN150	Neoprene	-
Type: E			
C	Suction elbow 90°	Galvanized Steel	40
Type: P			
D	X foot rest	Galvanized Steel	9
F	Delivery elbow 90° DN150	G250 Cast-Iron	20
Type: R			
G	Double guide rail coupling flange DN150	GS250 Cast-Iron	12
H	Double guide coupling feet DN150	G250 Cast-Iron	60
I	Double guide rail upper support 2"	Galvanized Steel	1.9
L	Guide rail 2"	Galvanized Steel	4.5

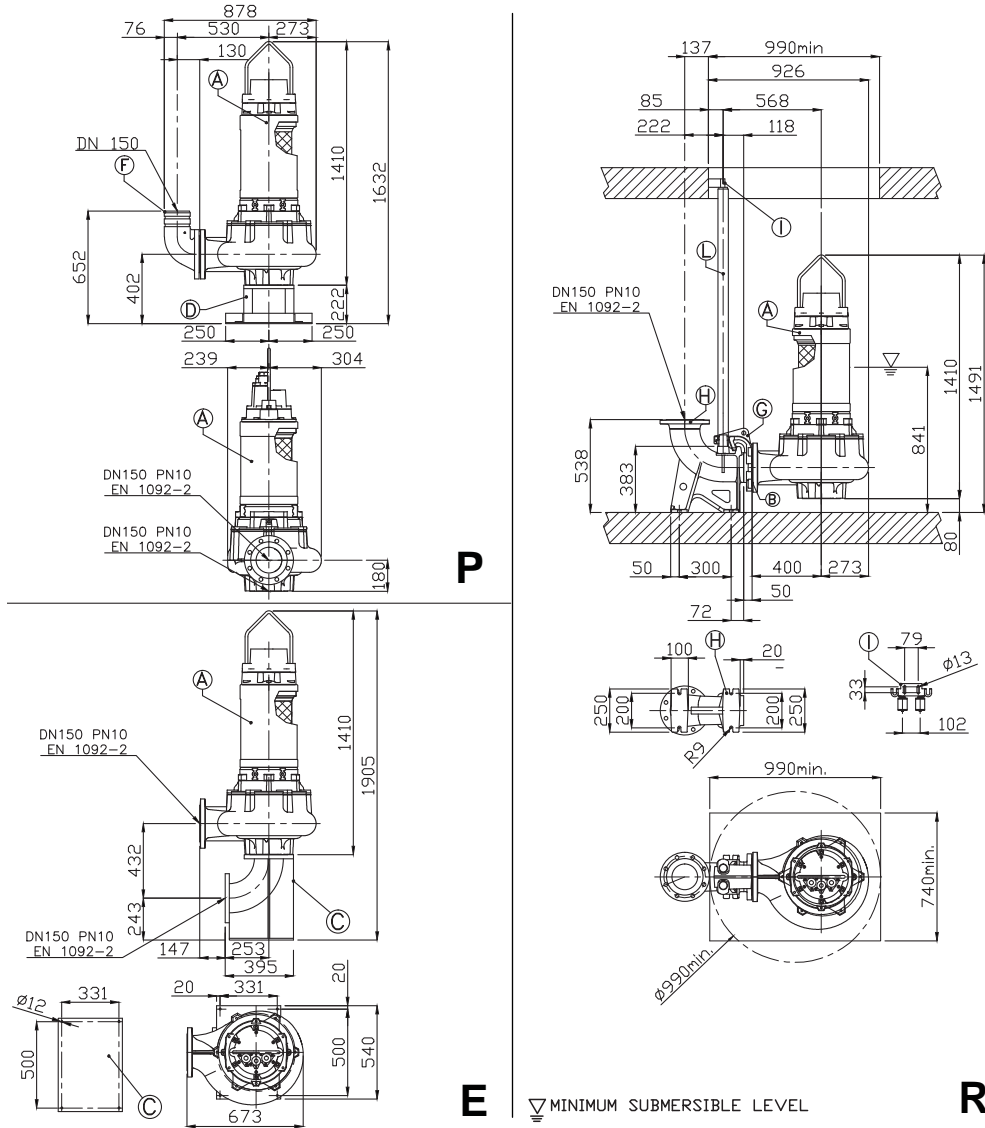
150DRD/150DRD with QDC (12.0 ÷ 14.0 kW)



Size DA	Model	Output [kW]	Weight [kg]
DN150	150DRD512T6AG	12.0	382
EN 1092-2	150DRD514T6BG	14.0	375

Pos.	Description	Material	Weight Kg
A	Submersible Pump		-
B	Rubber joint DN150	Neoprene	-
Type: E			
C	Suction elbow 90°	Galvanized Steel	40
Type: P			
D	X foot rest	Galvanized Steel	25.1
F	Delivery elbow 90° DN150	G250 Cast-Iron	20
Type: R			
G	Double guide rail coupling flange DN150	GS250 Cast-Iron	12
H	Double guide coupling feet DN150	G250 Cast-Iron	60
I	Double guide rail upper support 2"	Galvanized Steel	1.9
L	Guide rail 2"	Galvanized Steel	4.5

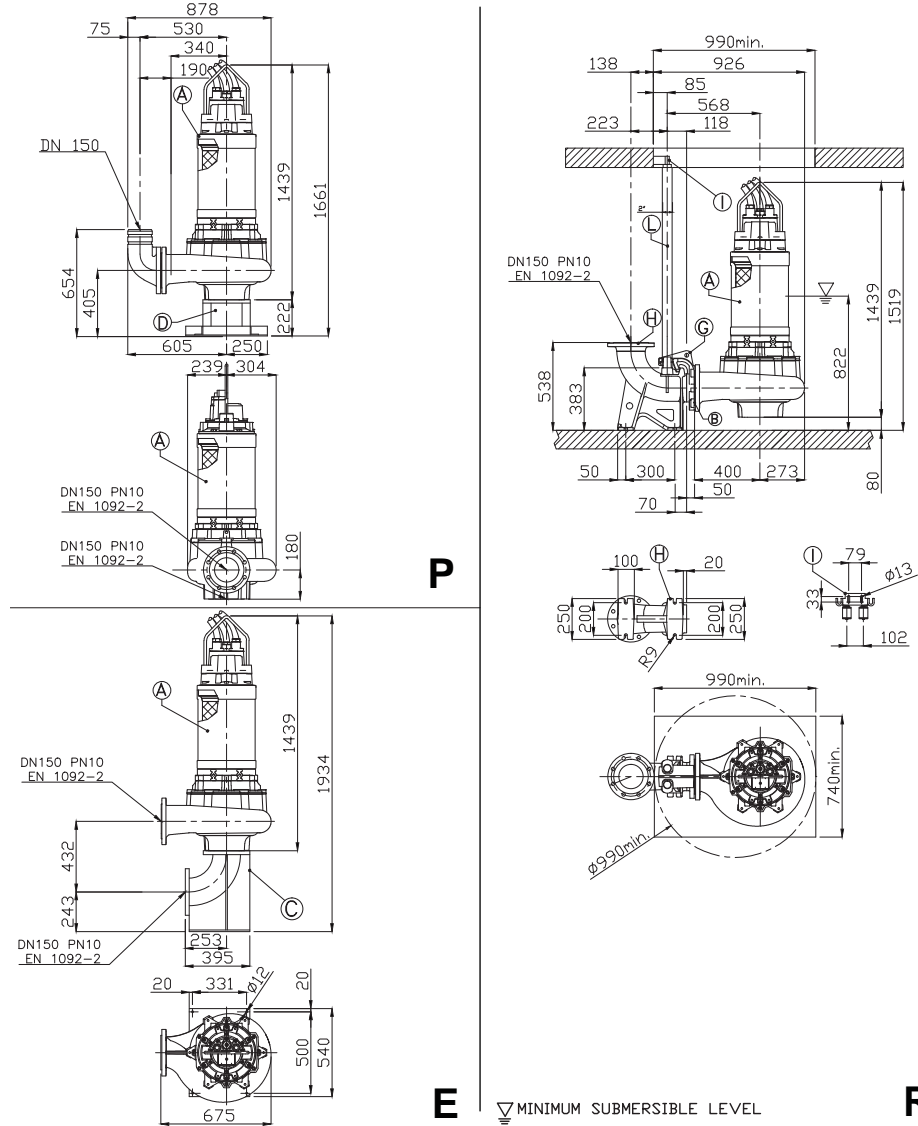
150DRD/150DRD with QDC (23.0 ÷ 27.0 kW)



Size DA	Model	Output [kW]	Weight [kg]
DN150 EN 1092-2	150DRD523T4CG	23.0	430
	150DRD527T4BG	27.0	430
	150DRD527T4AG	27.0	430

Pos.	Description	Material	Weight Kg
A	Submersible Pump		-
B	Rubber joint DN150	Neoprene	-
Type: E			
C	Suction elbow 90°	Galvanized Steel	40
Type: P			
D	X foot rest	Galvanized Steel	25.1
F	Delivery elbow 90° DN150	G250 Cast-Iron	20
Type: R			
G	Double guide rail coupling flange DN150	GS250 Cast-Iron	12
H	Double guide coupling feet DN150	G250 Cast-Iron	60
I	Double guide rail upper support 2"	Galvanized Steel	1.9
L	Guide rail 2"	Galvanized Steel	4.5

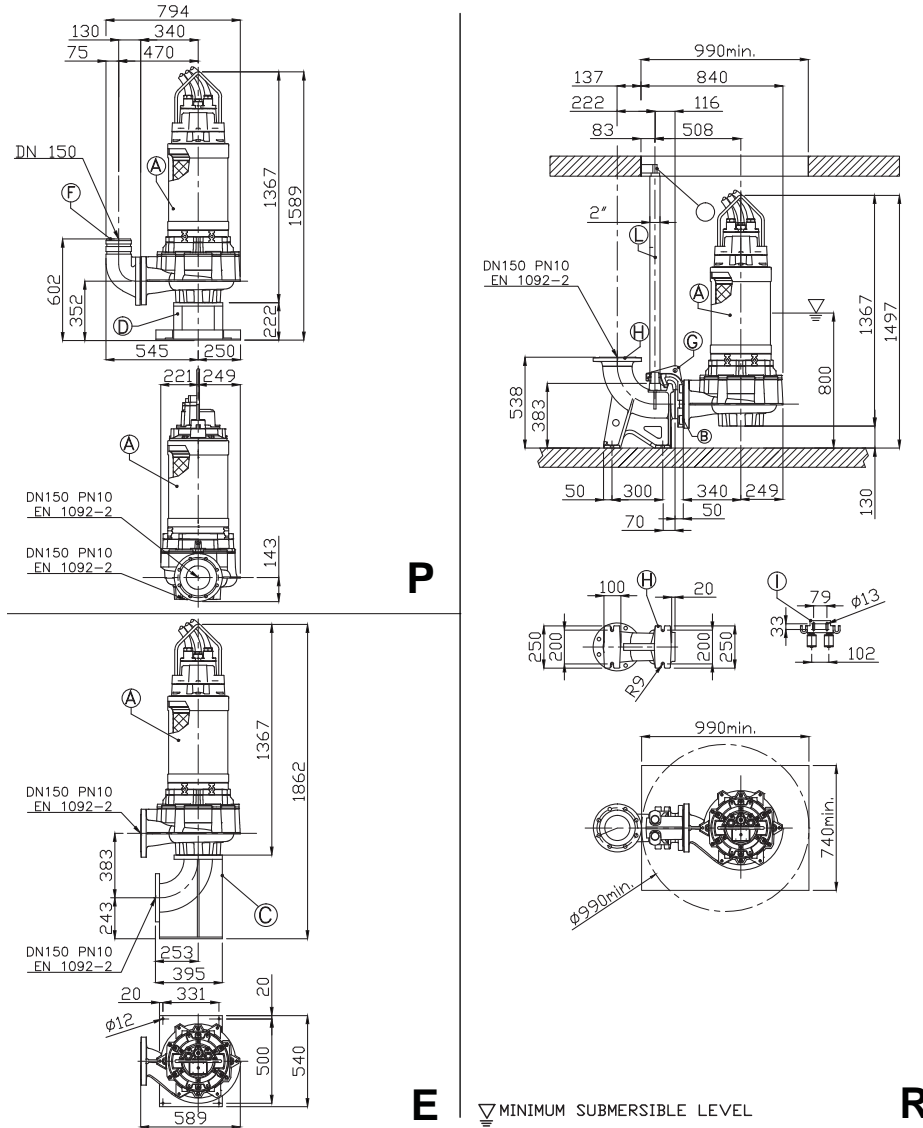
150DRD/150DRD with QDC (30.0 ÷ 41.0 kW)



Size DA	Model	Output [kW]	Weight [kg]
DN150 EN 1092-2	150DRD530T4BG	30,0	518
	150DRD530.1T4BG	30,0	515
	150DRD535.7T4EG	35,7	512
	150DRD535.7T4AG	35,7	518
	150DRD541T4AG	41,0	515

Pos.	Description	Material	Weight Kg
A	Submersible Pump		-
B	Rubber joint DN150	Neoprene	-
Type: E			
C	Suction elbow 90°	Galvanized Steel	40
Type: P			
D	X foot rest	Galvanized Steel	25.1
F	Delivery elbow 90° DN150	G250 Cast-Iron	20
Type: R			
G	Double guide rail coupling flange DN150	GS250 Cast-Iron	12
H	Double guide coupling feet DN150	G250 Cast-Iron	60
I	Double guide rail upper support 2"	Galvanized Steel	1.9
L	Guide rail 2"	Galvanized Steel	4.5

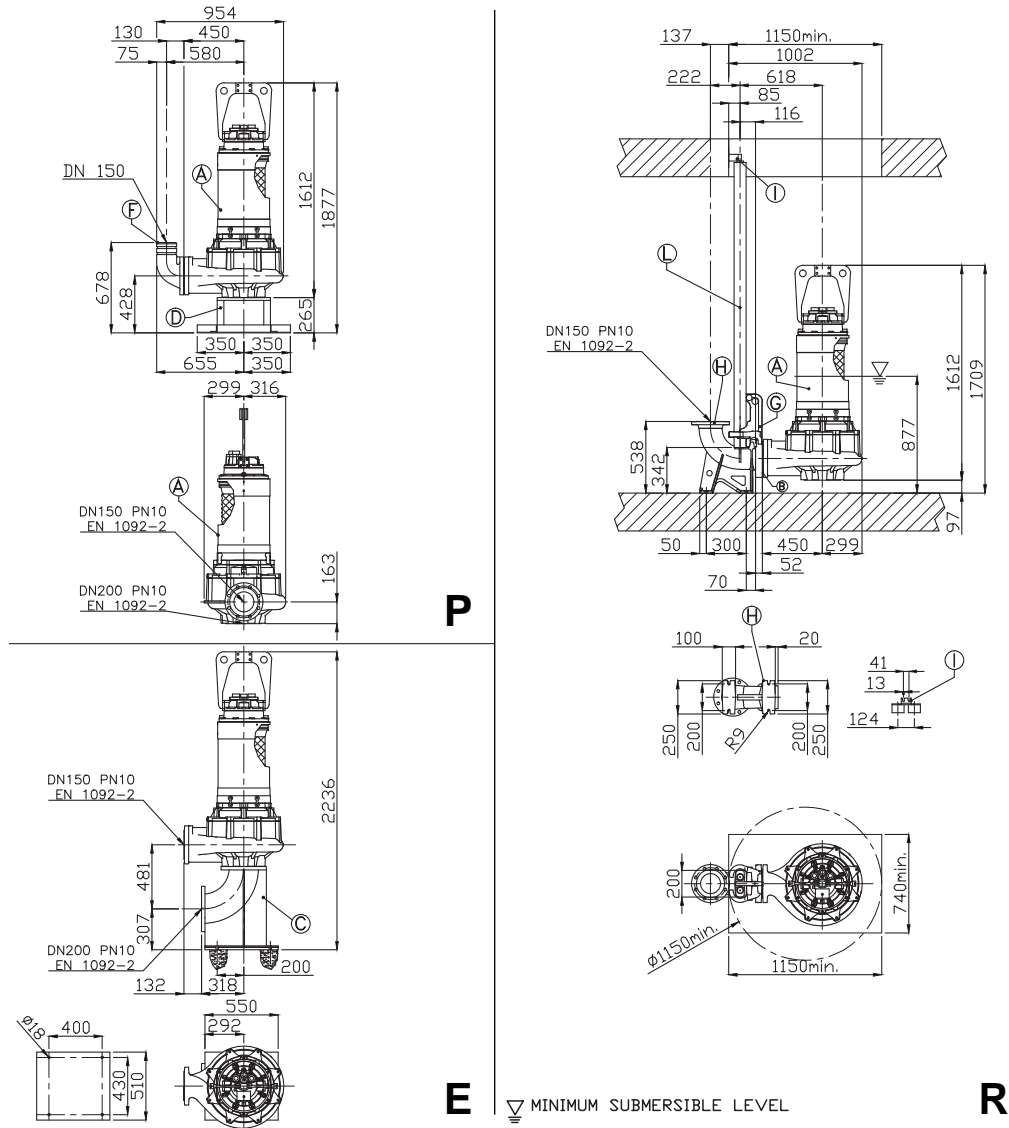
150DRD/150DRD with QDC (35.0 ÷ 52.0 kW)



Size DA	Model	Output [kW]	Weight [kg]
DN150 EN 1092-2	150DRD535T2AG	35.0	512
	150DRD540.2T2BG	40.2	500
	150DRD552T2CG	52.0	495

Pos.	Description	Material	Weight Kg
A	Submersible Pump		-
B	Rubber joint DN150	Neoprene	-
Type: E			
C	Suction elbow 90°	Galvanized Steel	40
Type: P			
D	X foot rest	Galvanized Steel	25.1
F	Delivery elbow 90° DN150	G250 Cast-Iron	20
Type: R			
G	Double guide rail coupling flange DN150	GS250 Cast-Iron	12
H	Double guide coupling feet DN150	G250 Cast-Iron	60
I	Double guide rail upper support 2"	Galvanized Steel	1.9
L	Guide rail 2"	Galvanized Steel	4.5

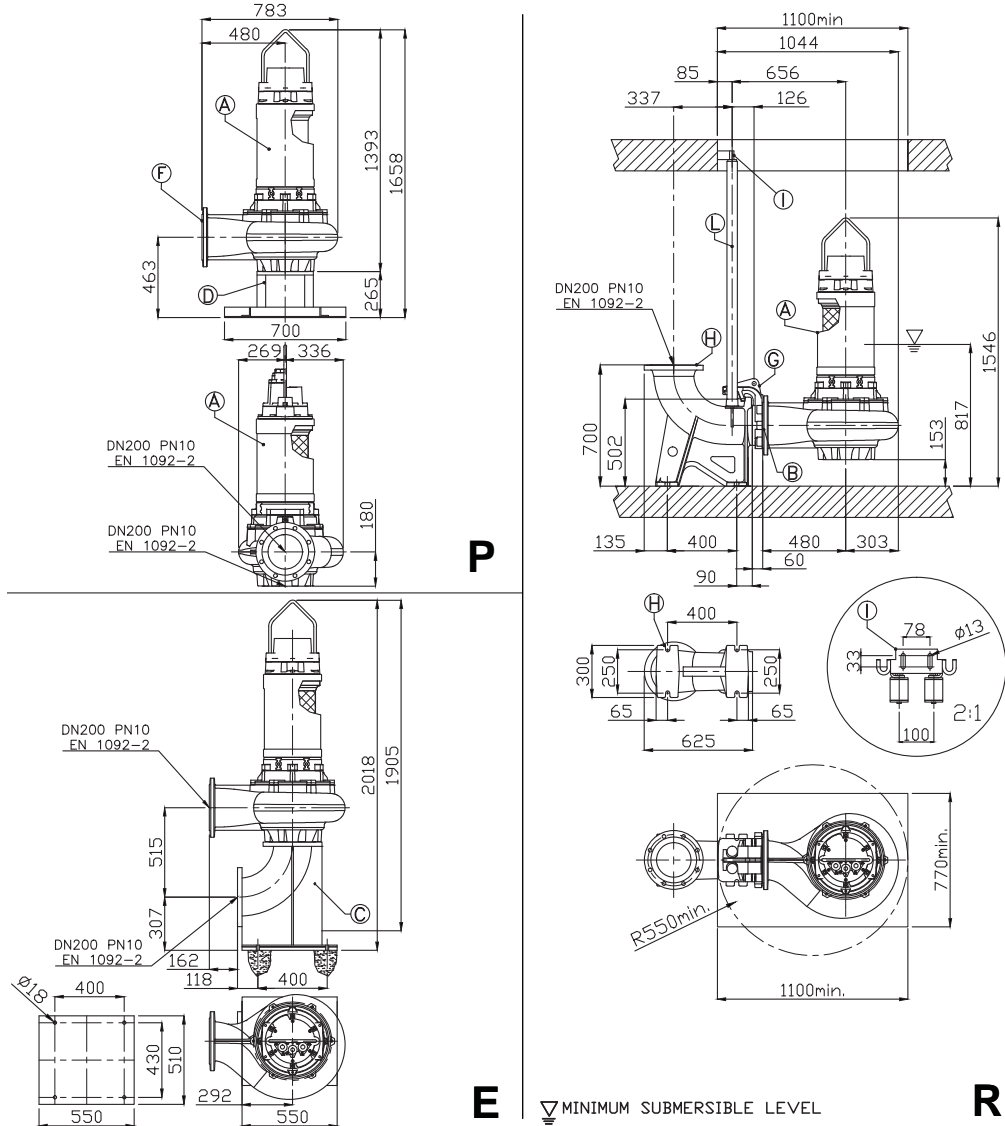
150DRD/150DRD with QDC (60.0 kW)



Size DA	Model	Output [kW]	Weight [kg]
DN150 EN 1092-2	150DRD560T4GG	60.0	745

Pos.	Description	Material	Weight Kg
A	Submersible Pump		-
B	Rubber joint DN150	Neoprene	-
Type: E			
C	Suction elbow 90°	Galvanized Steel	59
Type: P			
D	X foot rest	Galvanized Steel	18
F	Delivery elbow 90° DN150	G250 Cast-Iron	20
Type: R			
G	Double guide rail coupling flange DN150	GS250 Cast-Iron	38
H	Double guide coupling feet DN150	G250 Cast-Iron	60
I	Double guide rail upper support 2"	Galvanized Steel	1.9
L	Guide rail 2"	Galvanized Steel	-

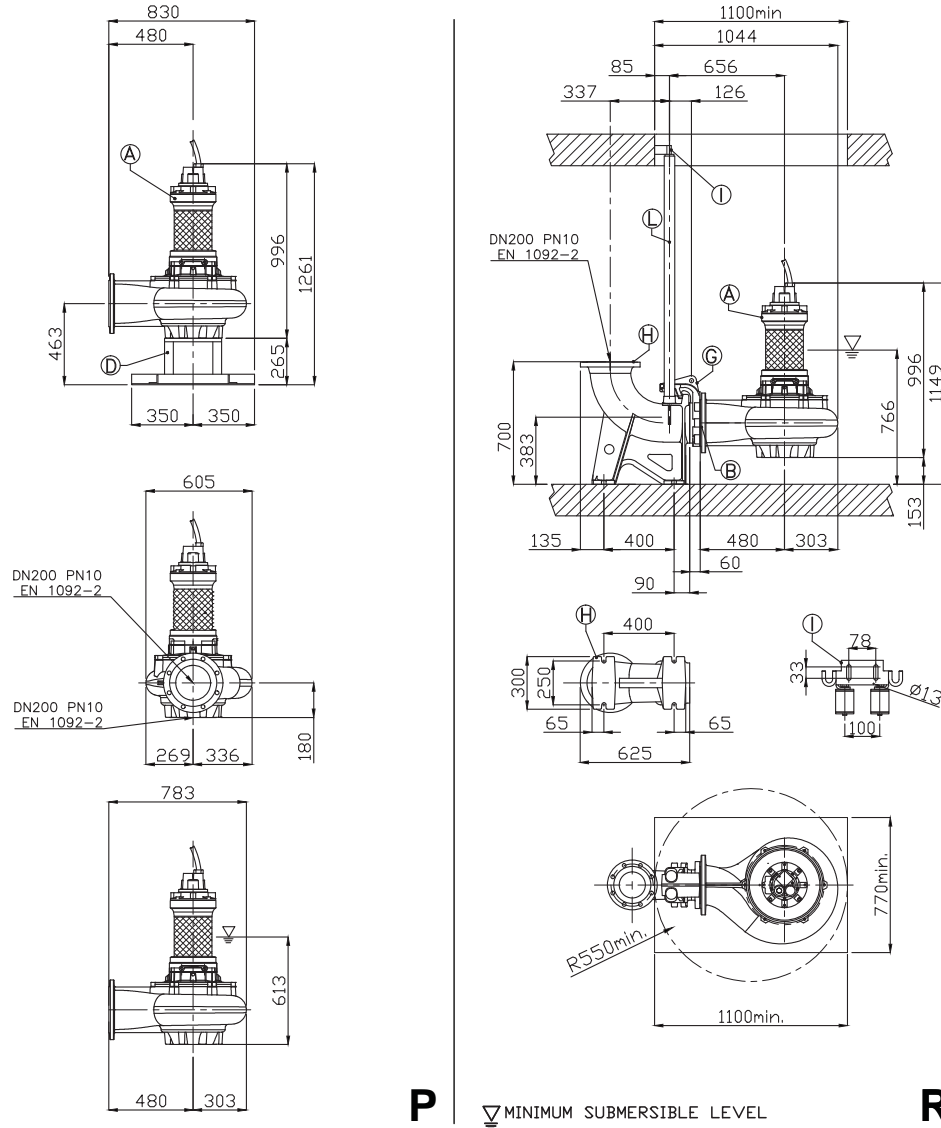
200DRD/200DRD with QDC (6.0 ÷ 23.0 kW)



Size DA	Model	Output [kW]	Weight [kg]
DN200 EN 1092-2	200DRD56T8AG	6,0	430
	200DRD59.3T8CG	9,3	430
	200DRD59.3T8BG	9,3	435
	200DRD515.8T6CG	15,8	460
	200DRD518.9T6BG	18,9	460
	200DRD523T8AG	23,0	460

Pos.	Description	Material	Weight Kg
A	Submersible Pump		-
B	Rubber joint DN200	Neoprene	-
Type: E			
C	Suction elbow 90°	Galvanized Steel	59
Type: P			
D	X foot rest	Galvanized Steel	18
Type: R			
G	Double guide rail coupling flange DN200	GS250 Cast-Iron	30
H	Double guide coupling feet DN200	G250 Cast-Iron	120
I	Double guide rail upper support 2"	Galvanized Steel	1.9
L	Guide rail 2"	Galvanized Steel	4.5

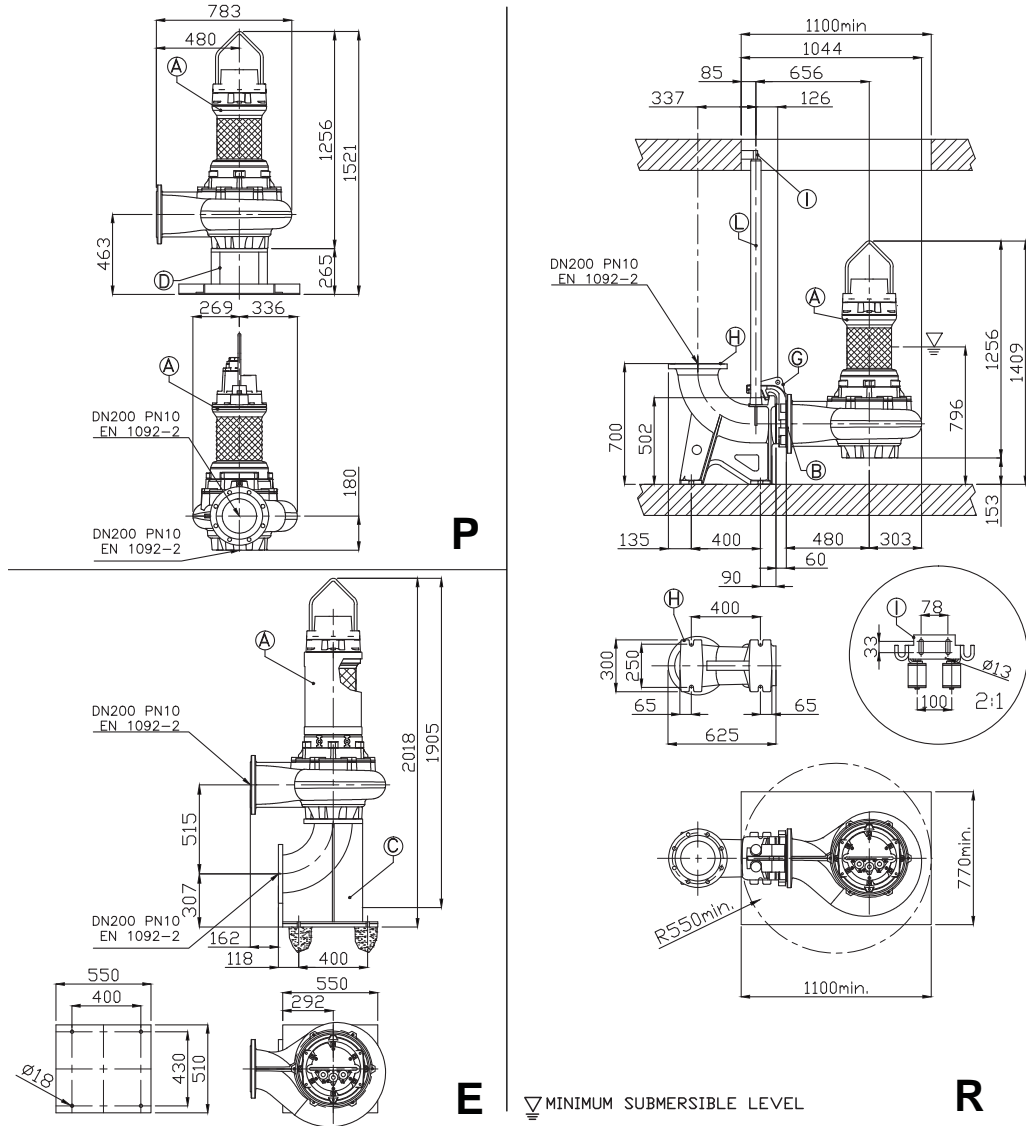
200DRD/200DRD with QDC (6.2 ÷ 9.8 kW)



Size DA	Model	Output [kW]	Weight [kg]
DN200 EN 1092-2	200DRD56.2T8CG	6,2	330
	200DRD58T8AG	8,0	330
	200DRD59.8T6CG	9,8	332

Pos.	Description	Material	Weight Kg
A	Submersible Pump		-
B	Rubber joint DN200	Neoprene	-
Type: E			
C	Suction elbow 90°	Galvanized Steel	59
Type: P			
D	X foot rest	Galvanized Steel	18
Type: R			
G	Double guide rail coupling flange DN200	GS250 Cast-Iron	30
H	Double guide coupling feet DN200	G250 Cast-Iron	120
I	Double guide rail upper support 2"	Galvanized Steel	1.9
L	Guide rail 2"	Galvanized Steel	4.5

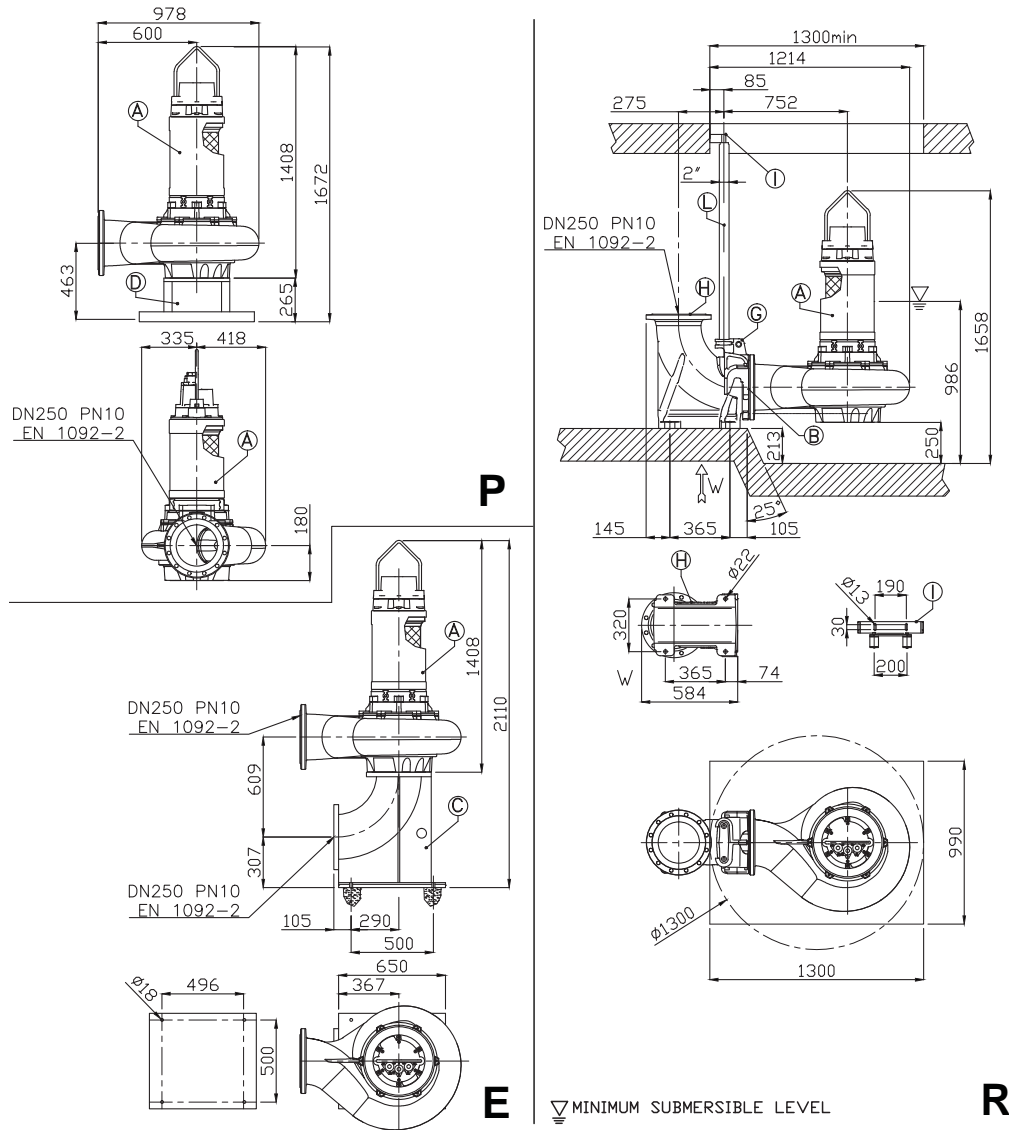
200DRD/200DRD with QDC (14.0 kW)



Size DA	Model	Output [kW]	Weight [kg]
DN200	200DRD514T6BG	14,0	385
EN 1092-2	200DRD514T6AG	14,0	382

Pos.	Description	Material	Weight Kg
A	Submersible Pump		-
B	Rubber joint DN200	Neoprene	-
Type: E			
C	Suction elbow 90°	Galvanized Steel	59
Type: P			
D	X foot rest	Galvanized Steel	18
Type: R			
G	Double guide rail coupling flange DN200	GS250 Cast-Iron	30
H	Double guide coupling feet DN200	G250 Cast-Iron	120
I	Double guide rail upper support 2"	Galvanized Steel	1.9
L	Guide rail 2"	Galvanized Steel	4.5

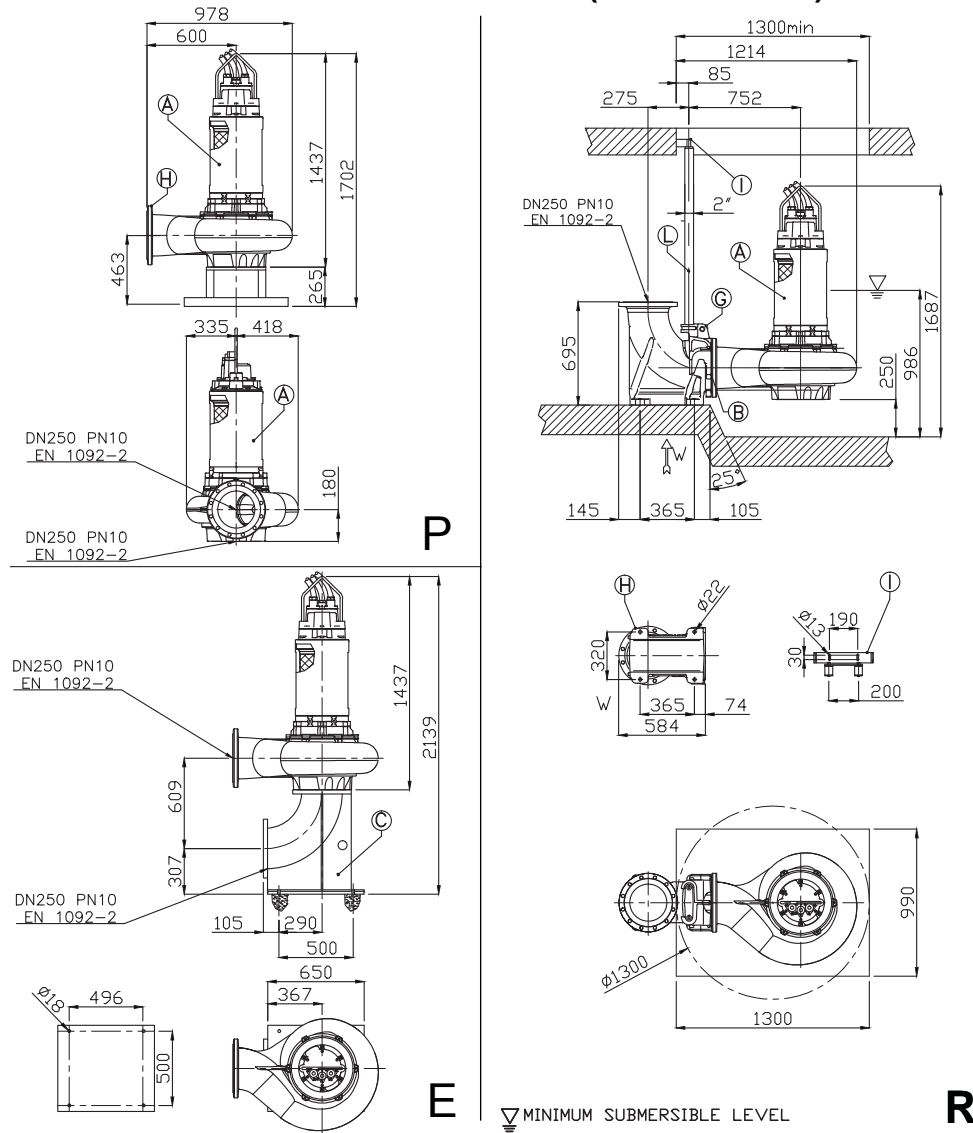
250DRD/250DRD with QDC (12.4 ÷ 23.0 kW)



Size DA	Model	Output [kW]	Weight [kg]
DN250 EN 1092-2	250DRD512.4T8DG	12,4	520
	250DRD517.1T8CG	17,1	520
	250DRD523T6DG	23,0	530

Pos.	Description	Material	Weight Kg
A	Submersible Pump		-
B	Rubber joint DN250	Neoprene	-
Type: E			
C	Suction elbow 90°	Galvanized Steel	65
Type: P			
D	X foot rest	Galvanized Steel	20
Type: R			
G	Double guide rail coupling flange DN250	GS250 Cast-Iron	36
H	Double guide coupling feet DN250	G250 Cast-Iron	135
I	Double guide rail upper support 2"	Galvanized Steel	4.1
L	Guide rail 2"	Galvanized Steel	4.5

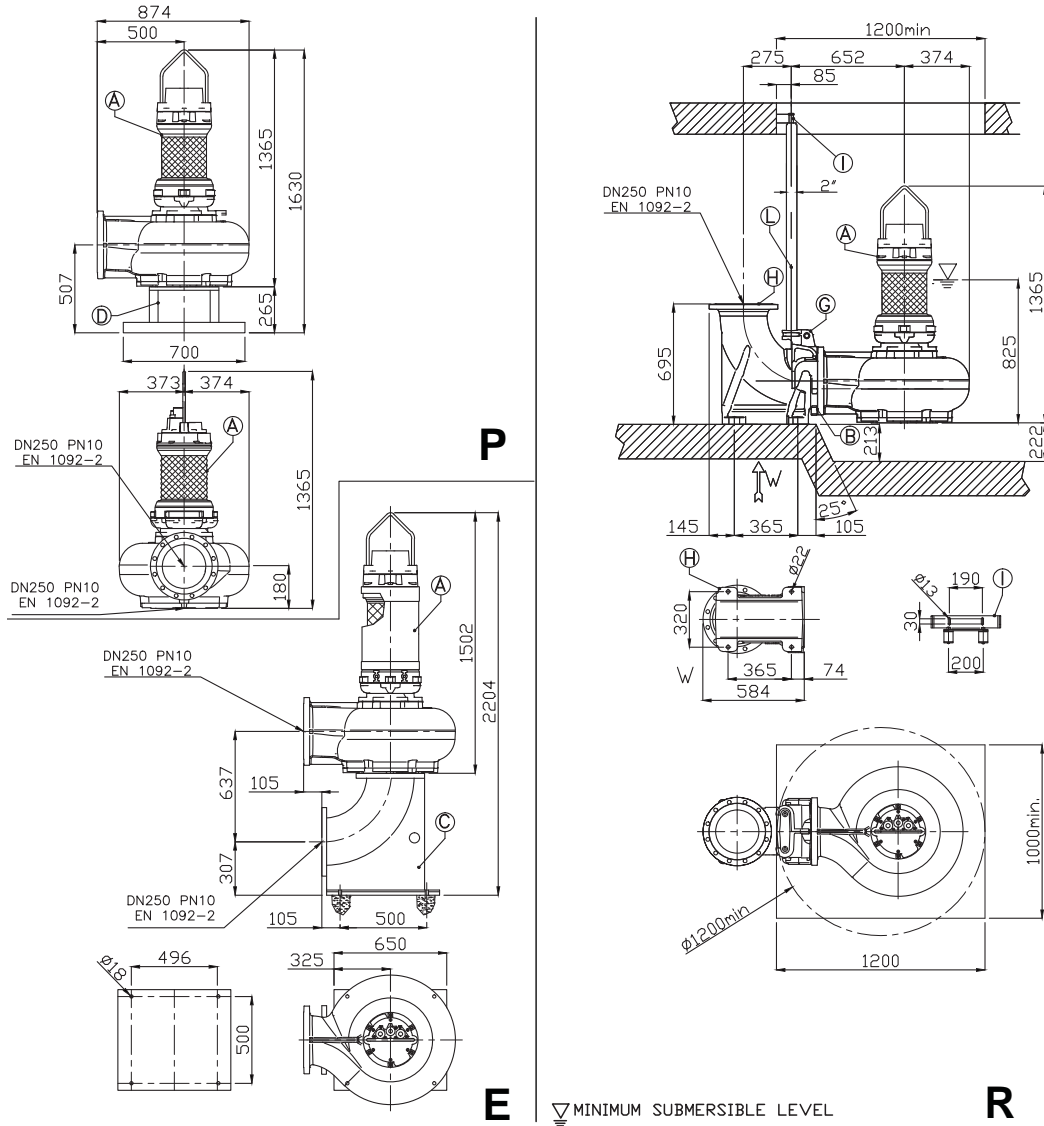
250DRD/250DRD with QDC (19.0 ÷ 29.0 kW)



Size DA	Model	Output [kW]	Weight [kg]
DN250	250DRD519T8AG	19,0	600
EN 1092-2	250DRD529T6CG	29,0	590

Pos.	Description	Material	Weight Kg
A	Submersible Pump		-
B	Rubber joint DN250	Neoprene	-
Type: E			
C	Suction elbow 90°	Galvanized Steel	65
Type: P			
D	X foot rest	Galvanized Steel	20
Type: R			
G	Double guide rail coupling flange DN250	GS250 Cast-Iron	36
H	Double guide coupling feet DN250	G250 Cast-Iron	135
I	Double guide rail upper support 2"	Galvanized Steel	4.1
L	Guide rail 2"	Galvanized Steel	4.5

250DRD/250DRD with QDC (15.0 kW)

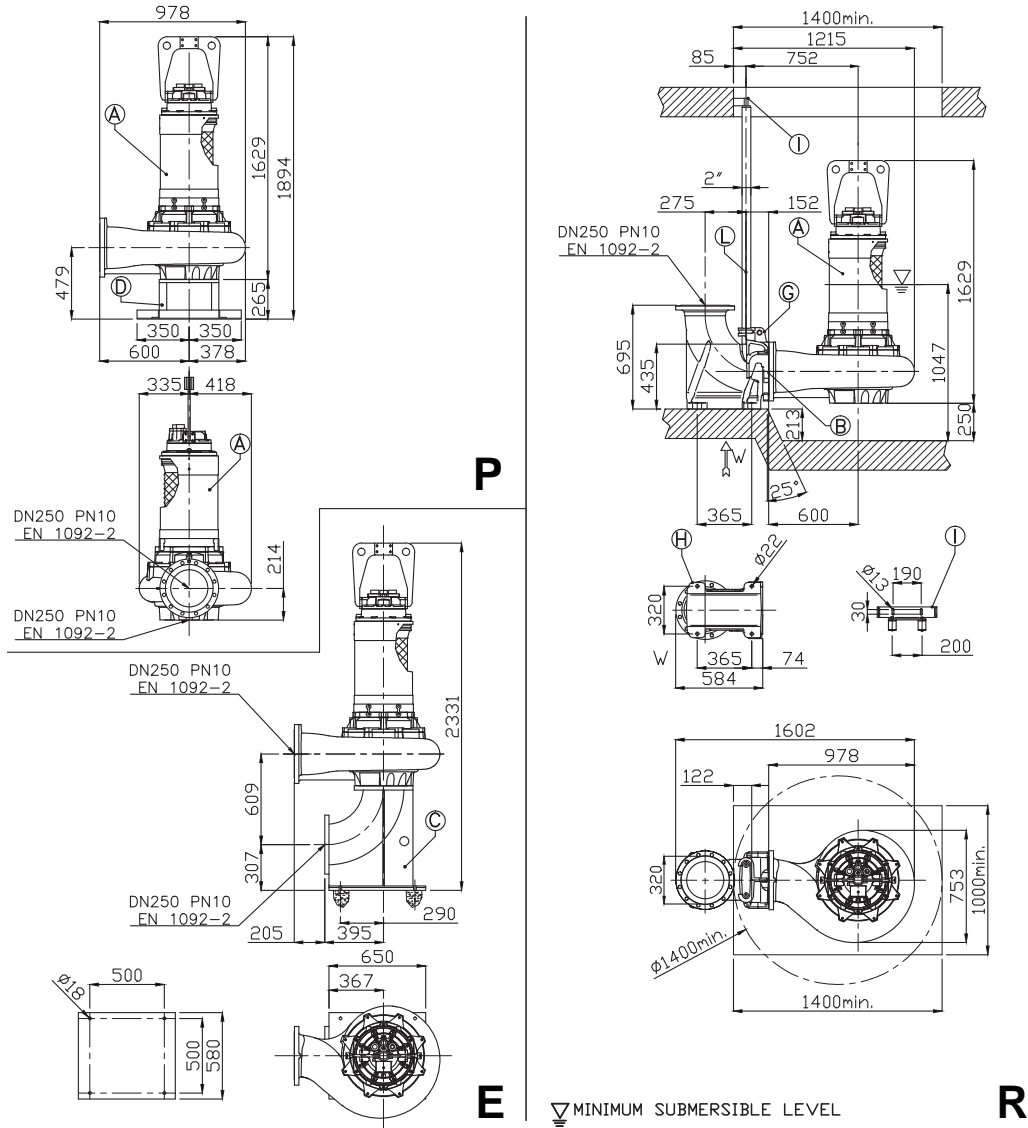


▽ MINIMUM SUBMERSIBLE LEVEL

Size DA	Model	Output [kW]	Weight [kg]
DN250 EN 1092-2	250DRD515T4AG	15.0	440

Pos.	Description	Material	Weight Kg
A	Submersible Pump		-
B	Rubber joint DN250	Neoprene	-
Type: E			
C	Suction elbow 90°	Galvanized Steel	65
Type: P			
D	X foot rest	Galvanized Steel	20
Type: R			
G	Double guide rail coupling flange DN250	GS250 Cast-Iron	36
H	Double guide coupling feet DN250	G250 Cast-Iron	135
I	Double guide rail upper support 2"	Galvanized Steel	4.1
L	Guide rail 2"	Galvanized Steel	4.5

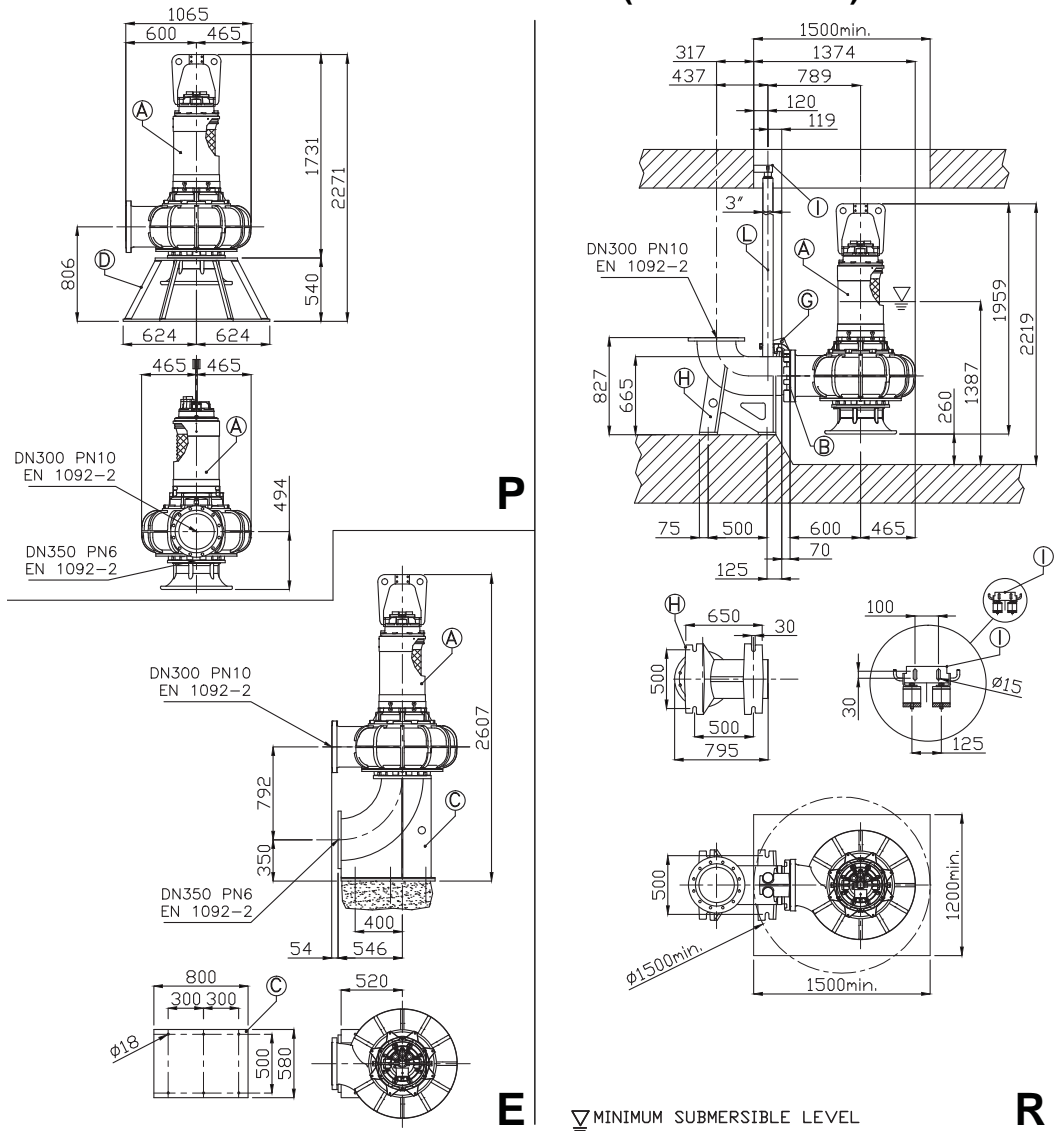
250DRD/250DRD with QDC (39.2 kW)



Size DA	Model	Output [kW]	Weight [kg]
DN250 EN 1092-2	250DRD539.2T6BG	39,2	750
	250DRD539.2T6AG	39,2	750

Pos.	Description	Material	Weight Kg
A	Submersible Pump		-
B	Rubber joint DN250	Neoprene	-
Type: E			
C	Suction elbow 90°	Galvanized Steel	65
Type: P			
D	X foot rest	Galvanized Steel	20
Type: R			
G	Double guide rail coupling flange DN250	GS250 Cast-Iron	36
H	Double guide coupling feet DN250	G250 Cast-Iron	135
I	Double guide rail upper support 2"	Galvanized Steel	4.1
L	Guide rail 2"	Galvanized Steel	4.5

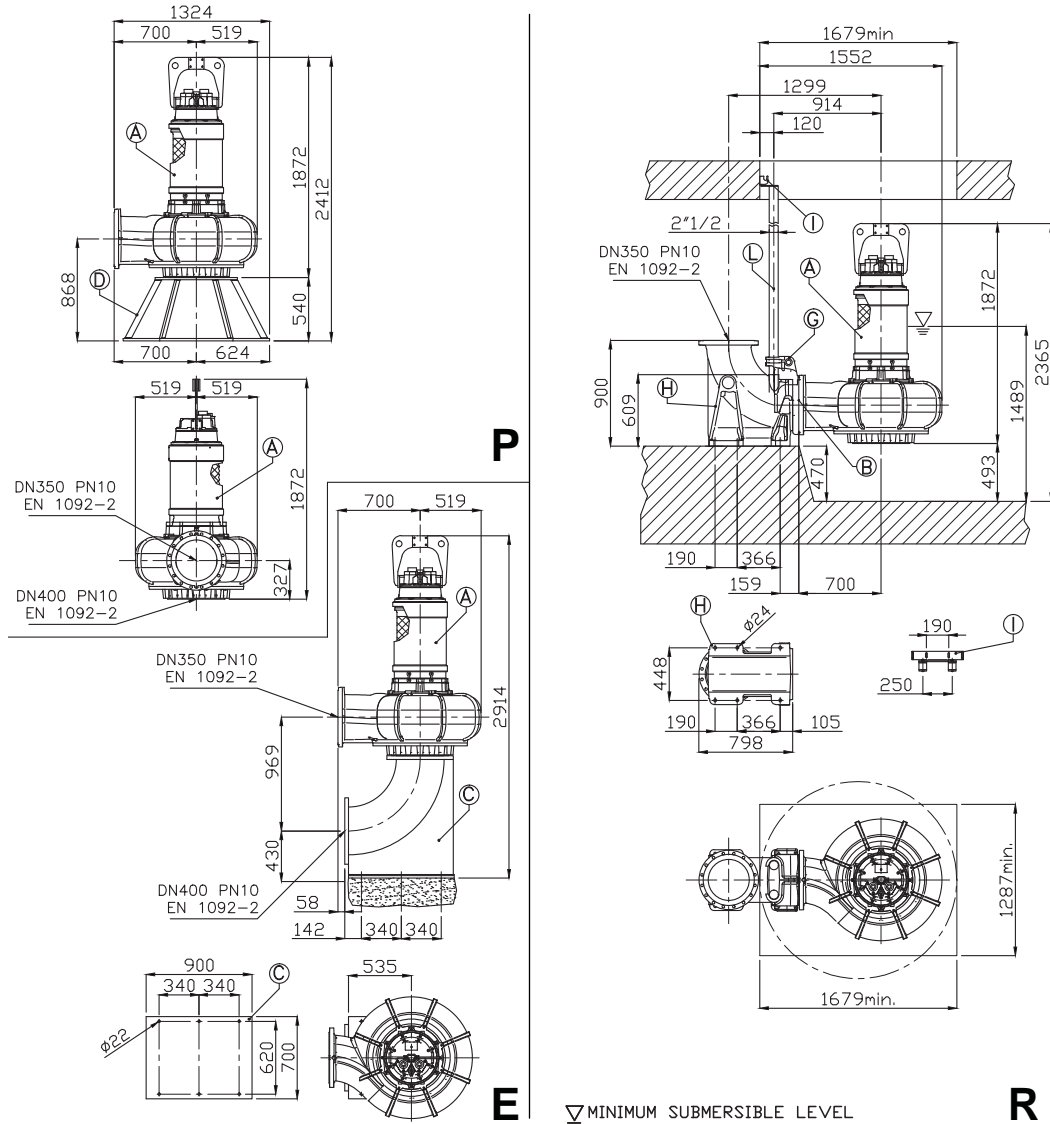
300DRD/300DRD with QDC (21.8 ÷ 39.2 kW)



Size DA	Model	Output [kW]	Weight [kg]
DN300 EN 1092-2	300DRD521.8T8BG	21,8	1024
	300DRD526.7T8CG	26,7	1024
	300DRD533.4T6DG	33,4	1030
	300DRD539.2T6CG	39,2	1030

Pos.	Description	Material	Weight Kg
A	Submersible Pump		-
B	Rubber joint DN300	Neoprene	-
Type: E			
C	Suction elbow 90°	Galvanized Steel	200
Type: P			
D	X foot rest	Galvanized Steel	135
Type: R			
G	Double guide rail coupling flange DN300	GS250 Cast-Iron	40
H	Double guide coupling feet DN300	G250 Cast-Iron	247
I	Double guide rail upper support 3"	Galvanized Steel	2.6
L	Guide rail 3"	Galvanized Steel	-

350DRD/350DRD with QDC (40.0 ÷ 45.0 kW)



Size DA	Model	Output [kW]	Weight [kg]
DN350	350DRD540T8CG	40.0	1350
EN 1092-2	350DRD545T8AG	45.0	1350

Pos.	Description	Material	Weight Kg
A	Submersible Pump		-
B	Rubber joint DN350	Neoprene	-
Type: E			
C	Suction elbow 90°	Galvanized Steel	210
Type: P			
D	X foot rest	Galvanized Steel	135
Type: R			
G	Double guide rail coupling flange DN350	GS250 Cast-Iron	86
H	Double guide coupling feet DN350	G250 Cast-Iron	382
I	Double guide rail upper support 2" 1/2	Galvanized Steel	7
L	Guide rail 2" 1/2	Galvanized Steel	-

DS, DVS (1.5÷3.7 kW) MOTOR DATA

Output [P ₂]		[kW]	1.5			2.2			3.7			
Resistance at 20° C		[Ω]	11.973			4.942			2.647			
GD ²		[kg·m ²]	0.0057			0.0082			0.011			
Voltage		[V]	380	400	415	380	400	415	380	400	415	
Load	0%	Current	[A]	1.25	1.32	1.30	1.95	2.15	2.33	3.20	3.30	3.90
		Power	[W]	430	405	400	500	500	252	800	500	600
	75%	Current	[A]	2.92	2.62	2.61	4.07	4.06	3.82	7.07	6.32	6.45
		Efficiency	[%]	63.59	69.18	70.11	71.23	69.69	77.58	68.00	75.54	74.26
		Power factor	[%]	91.93	89.54	85.68	86.44	84.27	77.40	87.75	83.92	80.61
		Speed	[min ⁻¹]	2872	2887	2898	2895	2901	2927	2890	2917	2922
	100%	Current	[A]	3.70	3.30	3.30	5.10	5.00	4.60	8.80	7.80	7.80
		Efficiency	[%]	65.61	71.25	70.89	73.05	72.28	79.33	70.79	77.64	76.74
		Power factor	[%]	93.88	92.08	89.21	89.71	87.87	83.88	90.24	88.18	86.00
		Speed	[min ⁻¹]	2821	2847	2854	2851	2864	2900	2847	2886	2890
	Locked Rotor Torque		[%]	243	295	303	161	186	184	175	216	233
	Start Current		[A]	20.5	21.1	22.5	28.7	30.0	31.5	51.2	51.0	53.0
No. starts per hour			10									
Model			ZDSEU									

DS (5.5÷7.5 kW) MOTOR DATA

Output [P ₂]		[kW]	5.5			7.5			
Resistance at 20° C		[Ω]	2.001			1.345			
GD ²		[kg·m ²]	0.03			0.037			
Voltage		[V]	380	400	415	380	400	415	
Load	0%	Current	[A]	3.00	2.70	2.70	3.65	3.20	3.27
		Power	[W]	340	800	340	400	800	400
	75%	Current	[A]	8.37	8.36	7.59	11.43	11.02	10.17
		Efficiency	[%]	82.89	77.34	83.68	83.36	79.51	84.44
		Power factor	[%]	90.37	92.05	90.40	89.70	92.68	91.14
		Speed	[min ⁻¹]	2944	2932	2945	2941	2928	2942
	100%	Current	[A]	10.80	10.80	9.80	14.80	14.30	13.20
		Efficiency	[%]	83.87	79.10	84.51	84.26	80.96	85.13
		Power factor	[%]	92.25	92.92	92.39	91.34	93.50	92.85
		Speed	[min ⁻¹]	2922	2905	2923	2917	2900	2918
	Locked Rotor Torque		[%]	168	155	168	159	154	159
	Start Current		[A]	77.0	70.0	70.0	105.0	93.5	94.0
No. starts per hour			10						
Model			ZDSEU						

DSF (1.1÷6.0 kW) MOTOR DATA

Output [P ₂]		[kW]	1.5	1.9	6	
Resistance at 20° C		[Ω]	-	-	-	
GD ²		[kg·m ²]	0.0021	0.0025	0.015	
Voltage		[V]	230	230	400/690	
Load	0%	Current	[A]	-	-	-
		Power	[W]	-	-	-
	75%	Current	[A]	-	-	-
		Efficiency	[%]	72	80	73
		Power factor	[-]	0.97	0.97	0.84
		Speed	[min ⁻¹]	-	-	-
	100%	Current	[A]	-	-	-
		Efficiency	[%]	73	73	90
		Power factor	[-]	0.99	0.99	0.88
		Speed	[min ⁻¹]	-	-	-
	Locked Rotor Torque		[%]	-	-	-
	Start Current		[A]	33.3	35	64.3
Phase			1		3	
No. starts per hour			15			
Motor Model			M271M-1.5-230/50NY-IE	M271M-1.9-230/50NY-IE	M210T-6-400/50YY-IE3	
Pump Type			40DSF51.5M2CG	40DSF51.9M2AG	40DSF56T2AG	

DL, DL W/C (1.5÷3.7 kW) MOTOR DATA

Output [P ₂]		[kW]	1.5			2.2			3.7			
Resistance at 20° C		[Ω]	8.466			5.937			3.447			
GD ²		[kg·m ²]	0.013			0.025			0.04			
Voltage		[V]	380	400	415	380	400	415	380	400	415	
Load	0%	Current	[A]	2.3	2.51	2,746	2.65	2.85	3.2	3.5	3.65	3.9
		Power	[W]	500	420	546	650	450	420	650	800	450
	75%	Current	[A]	3.47	3.37	3.56	4.65	4.34	4.46	6.70	6.73	6.25
		Efficiency	[%]	62.67	70.31	62.99	63.89	69.75	69.23	73.21	69.72	76.38
		Power factor	[%]	78.70	68.43	69.87	84.32	78.63	74.40	85.95	85.37	80.93
		Speed	[min ⁻¹]	1438	1449	1446	1440	1452	1458	1447	1449	1455
	100%	Current	[A]	4.10	3.90	4.10	5.70	5.20	5.20	8.40	8.30	7.60
		Efficiency	[%]	65.69	72.58	65.73	66.44	72.31	71.82	74.67	72.09	77.98
		Power factor	[%]	84.62	76.54	77.83	88.26	84.45	81.96	89.62	89.25	86.85
		Speed	[min ⁻¹]	1414	1432	1426	1417	1437	1443	1427	1430	1440
	Locked Rotor Torque		[%]	319	378	385	216	277	301	229	275	296
	Start Current		[A]	23.70	24.50	23.60	29.30	30.00	32.00	49.40	47.50	49.00
No. starts per hour			10									
Model			ZDLEU									

DL (5.5÷11 kW), DL W/C (5.5÷7.5 kW) MOTOR DATA

Output [P ₂]		[kW]	5.5			7.5			11			
Resistance at 20° C		[Ω]	2,339			1,513			-	0.869		
GD ²		[kg·m ²]	0.061			0.071			0.12			
Voltage		[V]	380	400	415	380	400	415	380	400	415	
Load	0%	Current	[A]	4.9	4.3	4.5	7.85	6.5	7.1	-	7.80	8.60
		Power	[W]	470	900	470	707	1200	707	-	1500	790
	75%	Current	[A]	9.38	8.97	8.58	13.38	12.46	12.07	-	17.03	16.81
		Efficiency	[%]	79.17	75.51	79.10	79.46	76.94	79.81	-	80.39	81.35
		Power factor	[%]	84.39	87.90	84.53	80.38	84.72	81.25	-	86.98	83.95
		Speed	[min ⁻¹]	1464	1458	1464	1467	1463	1467	-	1468	1470
	100%	Current	[A]	11.70	11.30	10.70	16.40	15.50	14.80	-	21.50	21.00
		Efficiency	[%]	80.42	77.14	80.38	80.98	78.64	81.26	-	82.12	82.29
		Power factor	[%]	88.83	91.07	88.97	85.80	88.81	86.76	-	89.92	88.56
		Speed	[min ⁻¹]	1451	1442	1451	1455	1449	1455	-	1456	1458
	Locked Rotor Torque		[%]	271	249	271	288	272	288	-	185	155
	Start Current		[A]	81.00	70.00	74.00	120.00	104.00	108.00	-	121.0	128.0
No. starts per hour			10						6			
Model			ZDLEU									

DL (15÷22 kW) MOTOR DATA

Output [P ₂]		[kW]	15			18.5			22			
Resistance at 20° C		[Ω]	-	0.677		-	0.439		-	0.376		
GD ²		[kg·m ²]	0.15			0.25			0.28			
Voltage		[V]	380	400	415	380	400	415	380	400	415	
Load	0%	Current	[A]	-	8.50	8.85	-	12.80	15.10	-	12.50	13.50
		Power	[W]	-	1600	880	-	2000	1300	-	2000	965
	75%	Current	[A]	-	22.13	21.11	-	27.76	27.38	-	32.73	31.37
		Efficiency	[%]	-	81.59	84.15	-	84.25	85.39	-	82.74	85.54
		Power factor	[%]	-	89.91	88.12	-	85.61	82.55	-	87.94	85.56
		Speed	[min ⁻¹]	-	1464	1464	-	1477	1480	-	1471	1473
	100%	Current	[A]	-	28.50	27.00	-	35.00	34.00	-	42.00	40.00
		Efficiency	[%]	-	82.79	84.99	-	85.77	86.79	-	84.17	86.11
		Power factor	[%]	-	91.76	90.93	-	88.95	87.23	-	89.82	88.86
		Speed	[min ⁻¹]	-	1450	1451	-	1469	1472	-	1460	1463
	Locked Rotor Torque		[%]	-	171	182	-	171	185	-	155	169
	Start Current		[A]	-	160.0	167.0	-	238.0	248.0	-	265.0	265.0
No. starts per hour			6									
Model			ZDLEU									

DL (30÷45 kW) MOTOR DATA

Output [P ₂]		[kW]	30			37			45			
Resistance at 20° C		[Ω]	0.236			0.152			0.117			
GD ²		[kg·m ²]	0.72			1.11			1.32			
Voltage		[V]	380	400	415	380	400	415	380	400	415	
Load	0%	Current	[A]	20	23.7	27.3	25.4	31.4	36.3	29.7	36.2	41.9
		Power	[W]	925	1104	1332	1116	1584	1956	1320	1752	2172
	75%	Current	[A]	45.69	45.96	47.48	56.47	58.11	60.14	68.59	70.07	72.18
		Efficiency	[%]	89.77	89.48	87.78	91.33	90.25	89.33	90.25	88.93	88.13
		Power factor	[%]	83.35	78.97	75.10	81.75	76.38	71.87	82.84	78.17	73.81
		Speed	[min ⁻¹]	1462	1464	1466	1479	1480	1481	1476	1478	1479
	100%	Current	[A]	59.00	58.00	58.50	72.50	72.50	73.50	88.00	87.50	88.50
		Efficiency	[%]	89.28	89.39	88.21	91.57	90.89	90.29	90.63	89.83	89.28
		Power factor	[%]	86.41	83.45	80.60	84.64	80.95	77.56	85.56	82.33	79.12
		Speed	[min ⁻¹]	1447	1451	1453	1470	1472	1473	1467	1470	1471
	Locked Rotor Torque		[%]	245	272	294	154	171	184	156	173	186
	Start Current		[A]	356.50	377.40	393.20	390.70	413.90	431.30	497.80	527.40	549.70
No. starts per hour			6									
Model			ZDLEU									

DML, DMLV (2.2÷3.7 kW) MOTOR DATA

Output [P ₂]		[kW]	2.2			3.7			
Resistance at 20° C		[Ω]	7.015			3.623			
GD ²		[kg·m ²]	0.02			0.03			
Voltage		[V]	380	400	415	380	400	415	
Load	0%	Current	[A]	2.13	2.52	2.81	3.29	3.88	4.45
		Power	[W]	450	480	580	620	780	840
	75%	Current	[A]	4.33	4.21	4.32	6.79	6.77	6.95
		Efficiency	[%]	67.11	68.45	67.13	72.12	71.40	69.56
		Power factor	[%]	86.20	82.63	79.22	86.08	82.84	79.82
	100%	Speed	[min ⁻¹]	1428	1437	1442	1439	1443	1447
		Current	[A]	5.50	5.20	5.20	8.60	8.40	8.40
		Efficiency	[%]	67.56	69.50	68.98	72.79	72.71	71.61
		Power factor	[%]	89.53	87.56	85.08	89.58	87.44	85.44
	Speed		[min ⁻¹]	1400	1411	1421	1416	1422	1428
	Locked Rotor Torque		[%]	182	204	221	203	226	244
	Start Current		[A]	24.30	25.70	26.70	45.50	48.10	50.00
No. starts per hour			10						
Model			ZDMEU						

DML, DMLV (5.5÷11 kW) MOTOR DATA

Output [P ₂]		[kW]	5.5			7.5			11			
Resistance at 20° C		[Ω]	1.920			1.326			0.862			
GD ²		[kg·m ²]	0.059			0.076			0.120			
Voltage		[V]	380	400	415	380	400	415	380	400	415	
Load	0%	Current	[A]	5.56	6.67	7.64	6.93	8.41	9.70	8.49	10.15	11.85
		Power	[W]	900	1200	1330	1200	1300	1600	1100	1450	1800
	75%	Current	[A]	10.30	10.51	10.83	13.65	14.06	14.48	18.26	19.27	19.66
		Efficiency	[%]	73.72	72.26	71.38	75.24	76.86	71.60	81.12	75.49	74.70
		Power factor	[%]	82.50	78.43	74.23	83.20	75.16	75.46	84.63	81.87	78.15
		Speed	[min ⁻¹]	1454	1456	1460	1461	1460	1466	1462	1461	1465
	100%	Current	[A]	12.70	12.60	12.70	16.90	16.90	17.10	23.50	23.80	23.80
		Efficiency	[%]	75.37	74.50	74.06	76.89	79.01	74.60	81.65	77.41	77.06
		Power factor	[%]	87.04	84.27	81.03	87.39	80.89	81.76	87.68	85.82	83.31
		Speed	[min ⁻¹]	1437	1440	1445	1445	1447	1455	1447	1446	1451
	Locked Rotor Torque		[%]	227	252	272	231	256	278	154	170	184
	Start Current		[A]	78.00	82.60	87.80	110.20	116.50	121.70	128.20	136.00	141.90
No. starts per hour			10						7			
Model			ZDMEU									

DML/DMLV (15÷22 kW) MOTOR DATA

Output [P ₂]		[kW]	15			22			
Resistance at 20° C		[Ω]	0.563			0.308			
GD ²		[kg·m ²]	0.16			0.34			
Voltage		[V]	380	400	415	380	400	415	
Load	0%	Current	[A]	10.8	13.13	15.08	13.37	16.27	18.82
		Power	[W]	1220	1650	2000	1500	2000	2100
	75%	Current	[A]	24.86	25.03	25.59	33.90	33.38	34.04
		Efficiency	[%]	79.66	78.43	77.65	84.98	85.54	83.88
		Power factor	[%]	86.32	82.71	78.78	87.01	83.40	80.41
		Speed	[min ⁻¹]	1465	1464	1467	1473	1475	1474
	100%	Current	[A]	31.50	31.00	31.00	43.50	42.00	42.00
		Efficiency	[%]	80.84	80.23	79.78	85.80	86.52	85.34
		Power factor	[%]	89.13	86.77	84.16	89.33	87.27	85.16
		Speed	[min ⁻¹]	1449	1451	1455	1462	1466	1466
	Locked Rotor Torque		[%]	176	195	211	155	172	185
	Start Current		[A]	199.80	211.90	220.90	299.80	318.50	332.70
No. starts per hour			7						
Model			ZDMEU						

DMLF (1.4÷1.9 kW) MOTOR DATA

Output [P ₂]		[kW]	1.4	1.5	1.9	
Resistance at 20° C		[Ω]	-	-	-	
GD ²		[kg·m ²]	0.0011	0.0039	0.0078	
Voltage		[V]	230	230	230	
Load	0%	Current	[A]	-	-	-
		Power	[W]	-	-	-
	75%	Current	[A]	-	-	-
		Efficiency	[%]	72	72	73
		Power factor	[-]	0.97	0.97	0.97
		Speed	[min ⁻¹]	-	-	-
	100%	Current	[A]	-	-	-
		Efficiency	[%]	73	73	73
		Power factor	[-]	0.99	0.99	0.99
		Speed	[min ⁻¹]	-	-	-
	Locked Rotor Torque		[%]	-	-	-
	Start Current		[A]	31.1	33.3	62.7
Poles			2			
Phase			1			
No. starts per hour			15			
Motor Model			M272M-1.4-230/50NY-IE	M272M-1.5-230/50NY-IE	M272M-1.9-230/50NY-IE	
Pump Type			50DMLF51.4M2BG	65DMLF51.5M2AG	65DMLF51.9M2BG	

DMLVF (0.5÷18.2 kW) MOTOR DATA

Output [P ₂]		[kW]	0.5	1.5	1.5	1.9	1.5	4.9	16.6	18.2	5.2	
Resistance at 20° C		[Ω]	-	-	-	-	-	-	-	-	-	
GD ²		[kg·m ²]	0.0006	0.0052	0.0056	0.0066	0.0005	0.0438	0.0586	0.051	0.1331	
Voltage		[V]	230	230	230	230	230	400/690	400/690	400/690	400/690	
Load	0%	Current	[A]	-	-	-	-	-	-	-	-	
		Power	[W]	-	-	-	-	-	-	-	-	
		Current	[A]	-	-	-	-	-	-	-	-	
	75%	Efficiency	[%]	67	72	72	73	72	74	92	92	88
		Power factor	[-]	0.96	0.97	0.97	0.97	0.97	0.9	0.82	0.82	0.73
		Speed	[min ⁻¹]	-	-	-	-	-	-	-	-	-
	100%	Current	[A]	-	-	-	-	-	-	-	-	-
		Efficiency	[%]	70	73	73	73	73	0.8	92	93	89
		Power factor	[-]	0.98	0.99	0.99	0.99	0.99	0.9	0.87	0.87	0.81
Speed	[min ⁻¹]	-	-	-	-	-	-	-	-	-		
Locked Rotor Torque		[%]	-	-	-	-	-	-	-	-	-	
Start Current		[A]	3.2	33.3	33.3	62.7	33.3	49.5	175.8	192.3	61.4	
Poles			2				4		2		6	
Phase			1				3		3			
No. starts per hour			15									
Motor Model			M206M-0.5-230/50NY-IE	M271M-1.5-230/50NY-IE		M271M-1.9-230/50NY-IE	M271M-1.5-230/50NY-IE	M410T-4.9-400/50YY-IE3	M213T-16.6-400/50YY-IE3	M213T-18.2-400/50YY-IE3	M611T-5.2-400/50YY-IE3	
Pump Type			40DMLVF50.5M2AG	50DMLVF51.5M2CG	50DMLVF51.5M2BG	50DMLVF51.9M2AG	65DMLVF51.5M2CG	80DMLVF54.9T4AG	80DMLVF516.6T2BG	80DMLVF518.2T2DG	100DMLVF55.2T6BG	

SUBMERSIBLE PUMPS

D SERIES

MOTOR DATA

50 Hz

Rev. E

DRS (1.1÷25.1- kW) MOTOR DATA

Output [P ₂]		[kW]	1.1	1.1	1.1	1.1	1.5	1.9	1.1	1.1	1.4	1.6	1.6	2.4	3.1*	4.2	5.0	5.0	6.5	7.5	9.0	11.0	13.8*	14.9	20	22.4	25.1																															
Resistance at 20° C		[Ω]	-	-	-	-	-	-	-	-	-	-	-	-	-	-	-	-	-	-	-	-	-	-	-	-	-																															
GD ²		[kg·m ²]	0.0019	0.0020	0.0021	0.0005	0.0021	0.0025	0.0028	0.0027	0.0035	0.0034	0.0035	0.0050	0.0042	0.0055	0.0090	0.0150	0.0090	0.0170	0.0170	0.0230	0.0430	0.0430	0.0510	0.0890	0.0890																															
Voltage		[V]	230	230	230	230	230	230	400	400	400	400	400	400	400	400/690	400/690	400/690	400/690	400/690	400/690	400/690	400/690	400/690	400/690	400/690	400/690																															
Load	0%	Current	-	-	-	-	-	-	-	-	-	-	-	-	-	-	-	-	-	-	-	-	-	-	-	-	-	-																														
		Power	-	-	-	-	-	-	-	-	-	-	-	-	-	-	-	-	-	-	-	-	-	-	-	-	-	-	-																													
		Efficiency	-	-	-	-	-	-	-	-	-	-	-	-	-	-	-	-	-	-	-	-	-	-	-	-	-	-	-																													
	75%	Current	-	-	-	-	-	-	-	-	-	-	-	-	-	-	-	-	-	-	-	-	-	-	-	-	-	-	-																													
		Power fact	[%]	72	72	72	72	73	76	76	84	84	84	86	87	88	88	89	89	89	90	90	91	92	92	92	92	92	93																													
		Speed	[min ⁻¹]	0.97	0.97	0.97	0.97	0.97	0.83	0.83	0.82	0.82	0.82	0.82	0.82	0.86	0.84	0.84	0.84	0.84	0.84	0.84	0.82	0.82	0.82	0.82	0.87	0.87	0.87																													
100%	Current	-	-	-	-	-	-	-	-	-	-	-	-	-	-	-	-	-	-	-	-	-	-	-	-	-	-	-																														
	Efficiency	[%]	73	73	73	73	73	84	84	86	86	86	87	88	89	89	90	90	90	91	91	92	92	92	92	93	93	93																														
	Power fact	[%]	0.99	0.99	0.99	0.99	0.99	0.8	0.8	0.87	0.87	0.87	0.87	0.89	0.88	0.88	0.88	0.88	0.88	0.88	0.88	0.87	0.87	0.87	0.87	0.89	0.89																															
Speed	[min ⁻¹]	-	-	-	-	-	-	-	-	-	-	-	-	-	-	-	-	-	-	-	-	-	-	-	-	-	-																															
Locked Rotor Torque		[%]	-	-	-	-	-	-	-	-	-	-	-	-	-	-	-	-	-	-	-	-	-	-	-	-	-																															
Start Current		[A]	24.4	21	35	35	42.8	124.2	148.5	193.8	283.2	384.4	384.4	384.4	384.4	384.4	384.4	384.4	384.4	384.4	384.4	384.4	384.4	384.4	384.4	384.4	384.4																															
Poles			2												2																																											
Phase			1												3																																											
No. starts per hour			1												15																																											
Motor Model			M272M-1.1-230/50V-Y-IE				M271M-1.1-230/50V-Y-IE		M271M-1.5-230/50V-Y-IE		M271M-1.9-230/50V-Y-IE		M272T-1.1-400/50V-IE3		M272T-1.4-400/50V-IE3		M271T-1.6-400/50V-IE3		M271T-2.4-400/50V-IE3		M209T-3.1-400/50V-IE3		M210T-4.2-400/50V-IE3		M210T-5.4-400/50V-IE3		M211T-6.5-400/50V-IE3		M211T-7.5-400/50V-IE3		M213T-9-400/50V-IE3		M213T-11-400/50V-IE3		M213T-13.8-400/50V-IE3		M213T-14.9-400/50V-IE3		M216T-20-400/50V-IE3		M216T-22.4-400/50V-IE3		M216T-25.1-400/50V-IE3															
Pump Type			40DRS1.1M2CG				40DRS51.1M2BG		40DRS51.1M2AG		40DRS51.2M2CG		40DRS51.5M2BG		40DRS51.9M2AG		40DRS51.1T2CG		40DRS51.1T2BG		40DRS51.4T2AG		40DRS51.6T2CG		40DRS51.6T2BG		40DRS52.4T2AG		40DRS53.1T2BG		40DRS53.1T2AG		40DRS54.4T2CG		40RS55T2BG		40RS55T2AG		65DRS56.5T2CG		65DRS57.4T2BG		65DRS59T2DG		65DRS51.1T2CG		65DRS51.8T2BG		65DRS51.8T2AG		65DRS51.4T2CG		65DRS52.0T2BG		65DRS52.4T2AG		65DRS52.5T2AG	

DRD (3.1÷14.0 kW) MOTOR DATA

Output [P ₂]		[kW]	3.1	3.6	5.0	6.0	7.5	2.7	2.8	4.6	4.6	7.1	7.5	10.0	10.0	12.0	14.9	16.6	18.2	20.0	6.0	8.0	12.0	14.0		
Resistance at 20° C		[Ω]	-	-	-	-	-	-	-	-	-	-	-	-	-	-	-	-	-	-	-	-	-	-		
GD ²		[kg·m ²]	0.0086	0.0055	0.0117	0.0118	0.0222	0.1050	0.1050	0.0719	0.0210	0.1183	0.0390	0.1188	0.0390	0.0230	0.0556	0.0430	0.0655	0.0664	0.2800	0.3220	0.5034	0.5602		
Voltage		[V]	400	400	400/690	400/690	400/690	400	400/690	400/690	400/690	400/690	400/690	400/690	400/690	400/690	400/690	400/690	400/690	400/690	400/690	400/690	400/690	400/690		
Load	0%	Current	[A]	-	-	-	-	-	-	-	-	-	-	-	-	-	-	-	-	-	-	-	-	-		
		Power	[W]	-	-	-	-	-	-	-	-	-	-	-	-	-	-	-	-	-	-	-	-	-	-	
		Current	[A]	-	-	-	-	-	-	-	-	-	-	-	-	-	-	-	-	-	-	-	-	-	-	
		Efficiency	[%]	87	87	89	89	90	86	86	89	84	90	90	91	91	91	92	92	92	92	92	88	89	90	91
	75%	Power factor	[-]	0.86	0.84	0.84	0.84	0.84	0.72	0.72	0.74	0.82	0.76	0.76	0.76	0.76	0.82	0.82	0.82	0.82	0.82	0.73	0.75	0.79	0.79	
		Speed	[min ⁻¹]	-	-	-	-	-	-	-	-	-	-	-	-	-	-	-	-	-	-	-	-	-	-	
		Current	[A]	-	-	-	-	-	-	-	-	-	-	-	-	-	-	-	-	-	-	-	-	-	-	-
		Efficiency	[%]	88	89	90	90	91	87	87	90	86	91	91	91	91	92	92	92	92	93	88	90	91	92	
	100%	Power factor	[-]	0.88	0.88	0.88	0.88	0.88	0.77	0.77	0.80	0.87	0.93	0.93	0.83	0.83	0.87	0.87	0.87	0.87	0.87	0.81	0.81	0.83	0.84	
		Speed	[min ⁻¹]	-	-	-	-	-	-	-	-	-	-	-	-	-	-	-	-	-	-	-	-	-	-	-
		Current	[A]	-	-	-	-	-	-	-	-	-	-	-	-	-	-	-	-	-	-	-	-	-	-	-
		Efficiency	[%]	-	-	-	-	-	-	-	-	-	-	-	-	-	-	-	-	-	-	-	-	-	-	-
Locked Rotor Torque		[%]	-	-	-	-	-	-	-	-	-	-	-	-	-	-	-	-	-	-	-	-	-	-		
Start Current		[A]	34.2	38.9	53.7	64.3	79.6	33.6	34.8	46.5	46.5	79.6	84.4	112.1	112.1	128.0	158.1	175.8	192.3	211.2	70.8	93.2	135.1	154.6		
Poles			2						6			4				3			2		6					
Phase																										
No. starts per hour																										
Motor Model			M209T-3.1-400/50Nn-IE3	M209T-3.6-400/50Nn-IE3	M210T-5-400/50YY-IE3	M210T-6-400/50YY-IE3	M211T-7.5-400/50YY-IE3	M609-2.7-400/50NN-IE3	M610T-2.8-400/50YY-IE3	M610T-4.6-400/50YY-IE3	M610T-4.6-400/50YY-IE3	M411T-7.1-400/50YY-IE3	M411T-7.5-400/50YY-IE3	M413T-10-400/50YY-IE3	M213T-12-400/50YY-IE3	M213T-14.9-400/50YY-IE3	M213T-16.6-400/50YY-IE3	M213T-18.2-400/50YY-IE3	M216T-20-400/50YY-IE3	M611T-6-400/50YY-IE3	M613T-8-400-50YY-IE3	M616T-12-400/50YY-IE3	M616T-14-400/50YY-IE3	M616T-14-400/50YY-IE3		
Pump Type			65DRD53.1T2CG	65DRD53.6T2BG	80DRD55T2BG	80DRD56T2AG	40DRS51.5M2BG	100DRD52.7T6AG	40DRS51.1T2CG	100DRD54.6T4CG	100DRD54.6T4BG	100DRD57.1T4BG	100DRD57.5T4FG	100DRD51.0T4AG	100DRD51.0T4FG	100DRD512T2DG	100DRD514.9T2CG	100DRD516.6T2BG	100DRD518.2T2AG	100DRD520T2AG	150DRD56T6CG	150DRD56T6BG	150DRD512T6AG	150DRD514T6BG		

MOTOR DATA

50 Hz

Rev. E

DRD (14.0-85.0 kW) MOTOR DATA

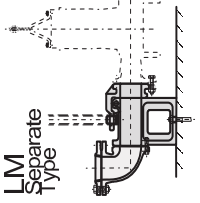
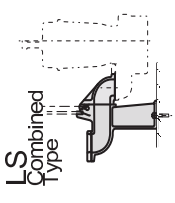
Output [P ₂]	[kW]	23.0	27.0	27.0	30.0	30.0	35.7	35.7	41.0	35.0	40.2	52.0	60.0	75.0	80.0	80.0	6.0	9.3*	15.8	18.9	23.0	6.2	8.0	9.8	14.0	14.0																						
Resistance at 20° C	[Ω]	-	-	-	-	-	-	-	-	-	-	-	-	-	-	-	-	-	-	-	-	-	-	-	-	-																						
GD ²	[kg·m ²]	0.3364	0.1600	0.4546	0.5657	0.6358	0.6972	0.7525	0.3900	0.2799	0.1800	0.4930	1.7423	1.9338	2.0255	1.0300	0.1540	0.8229	0.8888	1.1274	0.1030	0.1540	0.1030	0.1540	0.6802	0.7721																						
Voltage	[V]	400/690	400/690	400/690	400/690	400/690	400/690	400/690	400/690	400/690	400/690	400/690	400/690	400/690	400/690	400/690	400/690	400/690	400/690	400/690	400/690	400/690	400/690	400/690	400/690	400/690																						
Load	0%	Current	[A]	-	-	-	-	-	-	-	-	-	-	-	-	-	-	-	-	-	-	-	-	-	-	-																						
		Power	[W]	-	-	-	-	-	-	-	-	-	-	-	-	-	-	-	-	-	-	-	-	-	-	-	-																					
	75%	Current	[A]	93	93	93	94	94	94	94	93	94	94	95	95	95	95	82	89	91	92	92	82	84	90	91	91																					
		Efficiency	[%]	0.80	0.80	0.80	0.84	0.84	0.83	0.83	0.83	0.82	0.82	0.83	0.86	0.86	0.86	0.86	0.70	0.72	0.79	0.81	0.84	0.70	0.72	0.75	0.79																					
		Power factor	[-]	-	-	-	-	-	-	-	-	-	-	-	-	-	-	-	-	-	-	-	-	-	-	-	-																					
		Speed	[min ⁻¹]	-	-	-	-	-	-	-	-	-	-	-	-	-	-	-	-	-	-	-	-	-	-	-	-																					
	100%	Current	[A]	-	-	-	-	-	-	-	-	-	-	-	-	-	-	-	-	-	-	-	-	-	-	-	-																					
		Efficiency	[%]	94	94	94	94	94	94	94	94	94	95	95	95	95	95	84	89	92	92	93	84	89	90	92	92																					
		Power factor	[-]	0.84	0.84	0.84	0.85	0.85	0.86	0.86	0.86	0.87	0.87	0.88	0.90	0.90	0.90	0.90	0.74	0.76	0.84	0.85	0.88	0.74	0.76	0.81	0.84																					
	Speed	[min ⁻¹]	-	-	-	-	-	-	-	-	-	-	-	-	-	-	-	-	-	-	-	-	-	-	-	-	-																					
Locked Rotor Torque	[%]	-	-	-	-	-	-	-	-	-	-	-	-	-	-	-	-	-	-	-	-	-	-	-	-	-																						
Start Current	[A]	249.0	292.6	292.6	320.4	320.4	375.2	375.2	431.3	364.6	418.9	531.6	597.7	745.2	795.3	795.3	75.1	101.0	174.6	205.3	239.5	77.8	87.2	113.9	154.6	154.6																						
Poles		4				6				2				4				8				6				8				6																		
Phase		3																																														
No. starts per hour		15																																														
Motor Model		M416T-23-400/50YY-IE3	M416T-27-400/50YY-IE3	M418T-30-400/50YY-IE3	M418T-35.7-400/50YY-IE3	M418T-41-400/50YY-IE3	M218T-35-400/50YY-IE3	M218T-40.2-400/50YY-IE3	M218T-52-400/50YY-IE3	M420T-60-400/50YY-IE3	M425T-75-400/50YY-IE3	M425T-80-400/50YY-IE3	M425T-85-400/50YY-IE3	M425T-95-400/50YY-IE3	M425T-100-400/50YY-IE3	M425T-110-400/50YY-IE3	M425T-120-400/50YY-IE3	M425T-130-400/50YY-IE3	M425T-140-400/50YY-IE3	M425T-150-400/50YY-IE3	M425T-160-400/50YY-IE3	M425T-170-400/50YY-IE3	M425T-180-400/50YY-IE3	M425T-190-400/50YY-IE3	M425T-200-400/50YY-IE3	M425T-210-400/50YY-IE3	M425T-220-400/50YY-IE3	M425T-230-400/50YY-IE3	M425T-240-400/50YY-IE3	M425T-250-400/50YY-IE3	M425T-260-400/50YY-IE3	M425T-270-400/50YY-IE3	M425T-280-400/50YY-IE3	M425T-290-400/50YY-IE3	M425T-300-400/50YY-IE3	M425T-310-400/50YY-IE3	M425T-320-400/50YY-IE3	M425T-330-400/50YY-IE3	M425T-340-400/50YY-IE3	M425T-350-400/50YY-IE3	M425T-360-400/50YY-IE3	M425T-370-400/50YY-IE3	M425T-380-400/50YY-IE3	M425T-390-400/50YY-IE3	M425T-400-400/50YY-IE3			
Pump Type		150DRD523T4CG	150DRD527T4BG	150DRD527T4AG	150DRD530T4BG	150DRD530T4AG	150DRD535T4EG	150DRD535T4AG	150DRD541T4AG	150DRD535T2AG	150DRD540T2BG	150DRD5272CG	150DRD560T4CG	150DRD52714CG	150DRD580T4BG	150DRD580T4AG	200DRD56T8AG	200DRD58T8CG	200DRD58T8BG	200DRD515T6CG	200DRD518T6BG	200DRD523T6AG	200DRD58T2BG	200DRD58T2AG	200DRD58T6CG	200DRD58T6BG	200DRD58T6AG	200DRD58T8CG	200DRD58T8BG	200DRD58T8AG	200DRD58T8CG	200DRD58T8BG	200DRD58T8AG	200DRD58T8CG	200DRD58T8BG	200DRD58T8AG	200DRD58T8CG	200DRD58T8BG	200DRD58T8AG	200DRD58T8CG	200DRD58T8BG	200DRD58T8AG	200DRD58T8CG	200DRD58T8BG	200DRD58T8AG	200DRD58T8CG	200DRD58T8BG	200DRD58T8AG

Output [P ₂]	[kW]	40.0	44.0	48.0	12.4	17.1	23.0	19.0	29.0	15.0	39.2	39.2	65.0	75.0	75.0	85.0	21.8	26.7	33.4	39.2	55.8	65.0	40.0	45.0					
Resistance at 20° C	[Ω]	0.8331	0.9750	0.9994	0.3450	0.5770	1.0678	0.5770	1.3011	0.0980	2.0871	2.1452	1.8865	2.0663	2.0250	2.1029	1.4606	1.5040	1.2610	1.9286	2.9559	2.9720	2.1200	2.4300					
GD ²	[kg·m ²]	0.8331	0.9750	0.9994	0.3450	0.5770	1.0678	0.5770	1.3011	0.0980	2.0871	2.1452	1.8865	2.0663	2.0250	2.1029	1.4606	1.5040	1.2610	1.9286	2.9559	2.9720	2.1200	2.4300					
Voltage	[V]	400/690	400/690	400/690	400/690	400/690	400/690	400/690	400/690	400/690	400/690	400/690	400/690	400/690	400/690	400/690	400/690	400/690	400/690	400/690	400/690	400/690	400/690	400/690					
Load	0%	Current	[A]	-	-	-	-	-	-	-	-	-	-	-	-	-	-	-	-	-	-	-	-	-					
		Power	[W]	-	-	-	-	-	-	-	-	-	-	-	-	-	-	-	-	-	-	-	-	-					
	75%	Current	[A]	94	94	94	89	89	92	89	93	92	93	95	95	95	95	93	89	93	93	94	94	91	91				
		Efficiency	[%]	0.83	0.83	0.83	0.72	0.75	0.84	0.75	0.82	0.79	0.80	0.80	0.86	0.86	0.86	0.80	0.76	0.82	0.80	0.82	0.82	0.76	0.76				
		Power factor	[-]	-	-	-	-	-	-	-	-	-	-	-	-	-	-	-	-	-	-	-	-	-	-				
		Speed	[min ⁻¹]	-	-	-	-	-	-	-	-	-	-	-	-	-	-	-	-	-	-	-	-	-	-				
	100%	Current	[A]	-	-	-	-	-	-	-	-	-	-	-	-	-	-	-	-	-	-	-	-	-	-				
		Efficiency	[%]	94	95	95	89	89	93	89	93	93	94	95	95	95	95	94	90	93	94	95	95	91	92				
		Power factor	[-]	0.86	0.86	0.86	0.76	0.79	0.88	0.79	0.85	0.84	0.85	0.85	0.90	0.90	0.90	0.85	0.80	0.85	0.85	0.86	0.86	0.80	0.80				
	Speed	[min ⁻¹]	-	-	-	-	-	-	-	-	-	-	-	-	-	-	-	-	-	-	-	-	-	-	-				
Locked Rotor Torque	[%]	-	-	-	-	-	-	-	-	-	-	-	-	-	-	-	-	-	-	-	-	-	-	-					
Start Current	[A]	420.7	460.8	502.7	143.1	186.0	239.5	206.7	311.5	164	418.9	418.9	647.2	745.2	745.2	844.9	240.4	294.2	358.7	418.9	584.1	680.3	404.4	485.6					
Poles		4		8		6		8		6		4		6		4		8		6		8							
Phase		3																											
No. starts per hour		15																											
Motor Model		M420T-40-400/50YY-IE3	M420T-44-400/50YY-IE3	M420T-48-400/50YY-IE3	M420T-48-400/50YY-IE3	M420T-48-400/50YY-IE3	M420T-48-400/50YY-IE3	M420T-48-400/50YY-IE3	M420T-48-400/50YY-IE3	M420T-48-400/50YY-IE3	M420T-48-400/50YY-IE3	M420T-48-400/50YY-IE3	M420T-48-400/50YY-IE3	M420T-48-400/50YY-IE3	M420T-48-400/50YY-IE3	M420T-48-400/50YY-IE3	M420T-48-400/50YY-IE3	M420T-48-400/50YY-IE3	M420T-48-400/50YY-IE3	M420T-48-400/50YY-IE3	M420T-48-400/50YY-IE3	M420T-48-400/50YY-IE3	M420T-48-400/50YY-IE3	M420T-48-400/50YY-IE3					
Pump Type		200DRD540T4CG	200DRD544T4BG	200DRD548T4AG	200DRD548T4AG	200DRD548T4AG	200DRD548T4AG	200DRD548T4AG	200DRD548T4AG	200DRD548T4AG	200DRD548T4AG	200DRD548T4AG	200DRD548T4AG	200DRD548T4AG	200DRD548T4AG	200DRD548T4AG	200DRD548T4AG	200DRD548T4AG	200DRD548T4AG	200DRD548T4AG	200DRD548T4AG	200DRD548T4AG	200DRD548T4AG	200DRD548T4AG					

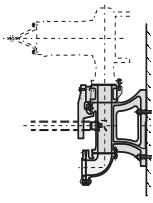


QDC SELECTION TABLE

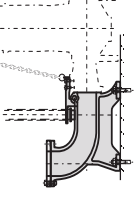
QDC Model	Size				Applicable Model				DML (V)
	Discharge Flange Ø	Discharge Elbow Ø	QDC Body Ø	Volute Flange Ø	DS	DVS	DLW/C	DL	
LS50	50	50x50	50	50	50DS 1.5 kW	50DVS 1.5 kW			
	50		50	50DS 2.2÷3.7 kW					
LM65	65	65x65	65	65	65DS 1.5 kW	65DVS 1.5÷3.7 kW	65DLW/C 1.5 kW	65DL 1.5 kW	
	80	65x80	65	65		80DVS 1.5÷3.7 kW			
LM80	80	80x80	80	80	80DS 2.2÷3.7 kW		80DLW/C 1.5÷3.7 kW	80DL 1.5÷3.7 kW	80&100DML(V) 2.2÷3.7 kW
	80	80x80	80	80				80DLC 5.5÷7.5 kW	
LL80	100	80x100	80	80				100DLC 5.5÷7.5 kW	
	100	100x100	100	100	100DS 5.5÷7.5 kW		100DLW/C 3.7÷7.5 kW	100DL&DLB 3.7÷18.5 kW	100DML(V) 5.5÷22 kW
LL100	150	100x150	100	100					150DML 5.5÷22 kW
	150	125x150	125	125				150DL 5.5÷22 kW	
LL125	150	150x150	150	150				150DL 30÷45 kW	
	200	150x200	150	150				200DL 5.5÷45 kW	
LL150	250	(Reducer) 300x250	200x250	200				250DL 7.5÷22 kW	
	250		250x300	250				250DL 30÷45 kW	
LL300	300		250x300	250				300DL 11÷45 kW	



LL Separate Type

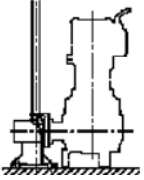
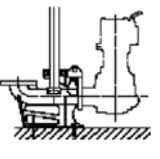
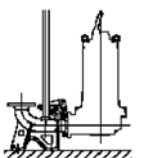
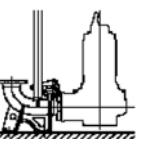
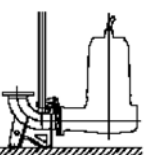
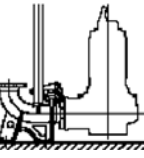


LL Combined Type

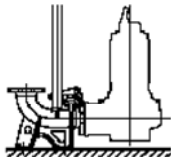
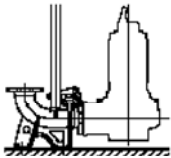
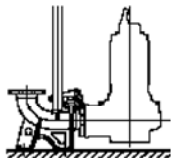
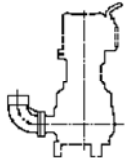

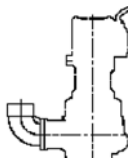


Note: The discharge elbow & companion flange are not supplied with the QDC. These items are standard accessories supplied with the pump (except for DS and DVS 1.5 kW and DL 30÷45 kW), and they are used with the QDC.
With LS50, LL250 and LL300 the Discharge Elbow is not necessary, because it is included in the QDC body.

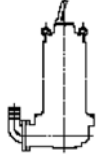
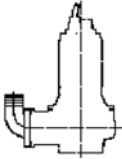
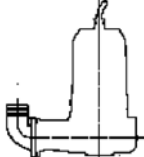

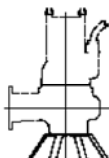
QDC, ELBOW, TRIPOD AND FLANGE SELECTION TABLE

	MODEL	APPLICABLE MODEL				
		DSF	DMLF	DMLVF	DRS	DRD
	GPA DN50T	40DSF51.5M2CG 40DSF51.9M2AG 40DSF56T2AG	50DMLF51.4M2BG	50DMLVF51.5M2CG 50DMLVF51.5M2BG 50DMLVF51.9M2AG	40DRS51.1M2CG 40DRS51.1M2BG 40DRS51.1M2AG 40DRS51.2M2CG 40DRS51.5M2BG 40DRS51.9M2AG 40DRS51.1T2CG 40DRS51.1T2BG 40DRS51.1T2AG 40DRS51.6T2CG 40DRS51.6T2BG 40DRS52.4T2AG 40DRS53.1T2BG 40DRS53.1T2AG 40DRS54.2T2CG 40DRS53T2BG	
	GPA DN65/8 (*) GPA DN65/15 (**) GPA DN65/L (***)		(*) 65DMLF51.5M2AG 65DMLF51.9M2BG	(*) 65DMLVF51.5M2CG	(**) 65DRS57.5T2BG 65DRS56.5T2CG 65DRS59T2DG 65DRS511T2CG 65DRS513.8T2BG 65DRS513.8T2AG 65DRS514.9T2GG 65DRS520T2BG 65DRS522.4T2AG 65DRS525.1T2AG	(***) 65DRD53.1T2CG 65DRD53.6T2BG
	GPA DN80/L			80DMLVF54.9T4AG 80DMLVF516.6T2BG 80DMLVF518.2T2DG		80DRD55T2BG 80DRD56T2AG 80DRD57.5T2AG
	GPA DN100/L			100DMLVF55.2T6BG		100DRD52.8T6AG 100DRD54.6T4CG 100DRD54.6T4BG 100DRD57.1T4BG 100DRD57.5T4FG 100DRD510T4FG 100DRD510T4AG 100DRD512T2DG 100DRD514.9T2CG 100DRD516.6T2BG 100DRD518.2T2AG 100DRD520T2AG
	GPA DN150/L					150DRD540.2T2BG 150DRD552T2CG 150DRD56T6CG 150DRD58T6BG 150DRD512T6AG 150DRD514T6BG 150DRD523T4CG 150DRD527T4BG 150DRD527T4AG 150DRD530T4BG 150DRD530.1T4BG 150DRD535T2AG 150DRD535.7T4EG 150DRD535.7T4AG 150DRD541T4AG 150DRD560T4GG
	GPA DN200					200DRD56T8AG 200DRD56.2T8CG 200DRD58T8AG 200DRD59.3T8CG 200DRD59.3T8BG 200DRD59.8T6CG 200DRD514T6BG 200DRD514T6AG 200DRD515.8T6CG 200DRD518.9T6BG 200DRD523T6AG 200DRD540T4CG 200DRD544T4BG 200DRD548T4AG

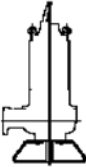
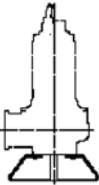
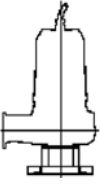
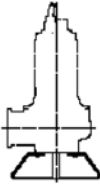
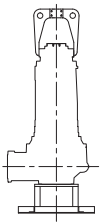
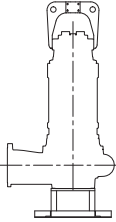
QDC, ELBOW, TRIPOD AND FLANGE SELECTION TABLE

	MODEL	APPLICABLE MODEL				
		DSF	DMLF	DMLVF	DRS	DRD
	GPA DN250/L	-	-	-	-	250DRD512.4T8DG 250DRD517.1T8CG 250DRD519T8AG 250DRD515T4AG 250DRD523T6DG 250DRD529T6CG 250DRD539.2T6BG 250DRD539.2T6AG 250DRD565T4DG 250DRD575T4CG 250DRD575T4BG 250DRD585T4AG
	GPA DN300	-	-	-	-	300DRD521.8T8BG 300DRD526.7T8CG 300DRD533.4T6DG 300DRD539.2T6CG 300DRD555.8T6BG 300DRD565T6AG
	GPA DN350/L	-	-	-	-	350DRD540T8CG 350DRD545T8AG
	GCF2	40DSF51.5M2CG 40DSF51.9M2AG 40DSF56T2AG	50DMLF51.4M2BG	50DMLVF51.5M2CG 50DMLVF51.5M2BG 50DMLVF51.9M2AG	40DRSS1.1M2CG 40DRSS1.1M2BG 40DRSS1.1M2AG 40DRSS1.2M2CG 40DRSS1.5M2BG 40DRSS1.9M2AG 40DRSS1.1T2CG 40DRSS1.1T2BG 40DRSS1.4T2AG 40DRSS1.6T2CG 40DRSS1.6T2BG 40DRSS2.4T2AG 40DRSS3.1T2BG 40DRSS3.1T2AG 40DRSS4.2T2CG 40DRSS4.2T2BG	-
	GC DN65	-	-	-	65DRSS7.5T2BG 65DRSS6.5T2CG 65DRSS9T2DG 65DRSS11T2CG 65DRSS13.8T2BG 65DRSS13.8T2AG 65DRSS14.9T2GG 65DRSS20T2BG 65DRSS22.4T2AG 65DRSS25.1T2AG	65DRD53.1T2CG 65DRD53.6T2BG
	GCF2.1/2	-	65DMLF51.5M2AG 65DMLF51.9M2BG	65DMLVF51.5M2CG	-	-

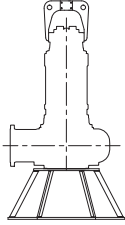
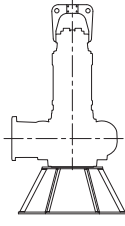
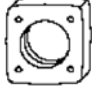
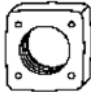
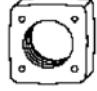
QDC, ELBOW, TRIPOD AND FLANGE SELECTION TABLE

	MODEL	APPLICABLE MODEL				
		DSF	DMLF	DMLVF	DRS	DRD
	GC DN80/L	-	-	80DMLVF516.6T2BG	-	80DRD55T2BG 80DRD56T2AG
	GC DN100/L	-	-	100DMLVF55.2T6BG	-	100DRD52.7T6AG 100DRD52.8T6AG 100DRD54.6T4CG 100DRD54.6T4BG 100DRD57.1T4BG 100DRD57.5T4FG 100DRD510T4FG 100DRD510T4AG 100DRD512T2DG 100DRD514.9T2CG 100DRD516.6T2BG 100DRD518.2T2AG 100DRD520T2AG
	GC DN150/L	-	-	-	-	150DRD540.2T2BG 150DRD552T2CG 150DRD56T6CG 150DRD58T6BG 150DRD512T6AG 150DRD514T6BG 150DRD523T4CG 150DRD527T4BG 150DRD527T4AG 150DRD530T4BG 150DRD530.1T4BG 150DRD535T2AG 150DRD535.7T4EG 150DRD535.7T4AG 150DRD541T4AG 150DRD560T4GG
	PAP65SP02	-	-	65DMLVF51.5M2CG	-	-
	PAPDN80/L	-	-	80DMLVF54.9T4AG 80DMLVF516.6T2BG	-	65DRD53.1T2CG 65DRD53.6T2BG 80DRD55T2BG 80DRD56T2AG

QDC, ELBOW, TRIPOD AND FLANGE SELECTION TABLE

	MODEL	APPLICABLE MODEL				
		DSF	DMLF	DMLVF	DRS	DRD
	PAPDN100NP07	-	-	80DMLVF518.2TZDG		80DRD57.5T2AG
	PAPDN125NP07	-	-	100DMLVF55.2T6BG	65DRS57.5T2BG 65DRS56.5T2CG	100DRD52.7T6AG 100DRD52.8T6AG 100DRD54.6T4CG 100DRD54.6T4BG 100DRD57.1T4BG 100DRD57.5T4FG 100DRD510T4FG 100DRD510T4AG 100DRD512T2DG 100DRD514.9T2CG 100DRD516.6T2BG 100DRD518.2T2AG 100DRD520T2AG
	PAPDN150SP07(*) PAPDN150 (**)	-	-	-	(*) 65DRS59T2DG 65DRS511T2CG 65DRS513.8T2BG 65DRS513.8T2AG 65DRS514.9T2GG 65DRS520T2BG 65DRS522.4T2AG 65DRS525.1T2AG	(**) 150DRD540.2T2BG 150DRD552T2CG 150DRD512T6AG 150DRD514T6BG 150DRD523T4CG 150DRD527T4BG 150DRD527T4AG 150DRD530T4BG 150DRD530.1T4BG 150DRD535T2AG 150DRD535.7T4EG 150DRD535.7T4AG 150DRD541T4AG
	PAPDN200	-	-	-	-	150DRD56T6CG 150DRD58T6BG
	PAPDN200	-	-	-	-	150DRD560T4GG 150DRD575T4CG 150DRD580T4BG 150DRD580T4AG 200DRD56T8AG 200DRD56.2T8CG 200DRD58T8AG 200DRD59.3T8CG 200DRD59.3T8BG 200DRD59.8T6CG 200DRD514T6BG 200DRD514T6AG 200DRD515.8T6CG 200DRD518.9T6BG 200DRD523T6AG 200DRD540T4CG
	PAPDN250	-	-	-	-	250DRD512.4T8DG 250DRD517.1T8CG 250DRD519T8AG 250DRD515T4AG 250DRD523T6DG 250DRD529T6CG 250DRD539.2T6BG 250DRD539.2T6AG 250DRD565T4DG 250DRD575T4CG 250DRD575T4BG 250DRD585T4AG

QDC, ELBOW,TRIPOD AND FLANGE SELECTION TABLE

	MODEL	APPLICABLE MODEL				
		DSF	DMLF	DMLVF	DRS	DRD
	PAPDN300	-	-	-	-	300DRD521.8T88G 300DRD526.7T8CG 300DRD533.4T6DG 300DRD539.2T6CG 300DRD555.8T68G 300DRD565T6AG
	PAPDN400	-	-	-	-	350DRD540T8CG 350DRD545T8AG
	GF1.1/2T	40DSF51.5M2CG 40DSF51.9M2AG 40DSF56T2AG	-	-	40DRS51.2M2CG 40DRS51.5M2BG 40DRS51.9M2AG 40DRS51.1T2CG 40DRS51.1T2BG 40DRS51.4T2AG 40DRS51.6T2CG 40DRS51.6T2BG 40DRS52.4T2AG 40DRS53.1T2BG 40DRS53.1T2AG 40DRS54.2T2CG 40DRS55T2BG 40DRS55T2AG	-
	GF2	-	50DMLF51.4M2BG	50DMLVF51.5M2CG 50DMLVF51.5M2BG 50DMLVF51.9M2AG	-	-
	GF2.1/2T	-	65DMLF51.5M2AG 65DMLF51.9M2BG	65DMLVF51.5M2CG	-	-

