

CMA - B - C - D - CMR

SINGLE IMPELLER CENTRIFUGAL ELECTRIC PUMPS

in cast iron

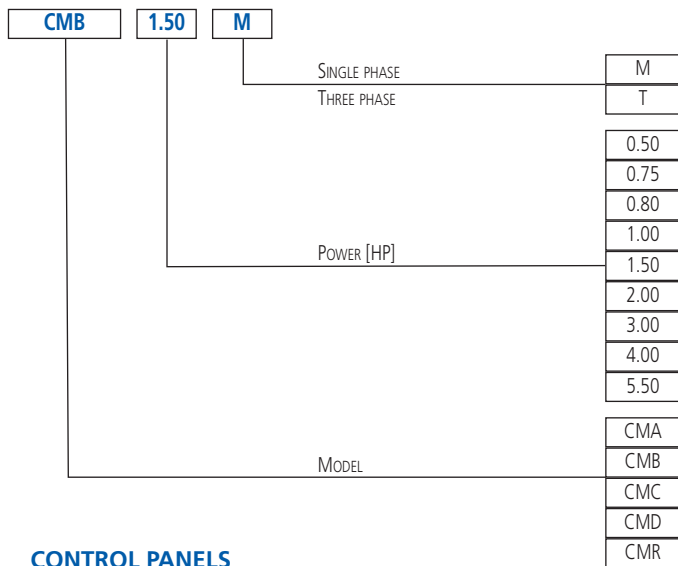
Cast iron self-priming electric pumps.



CMA-B-C-D

CMR

CMA-B-C-D - CMR IDENTIFICATION CODE



CONTROL PANELS

- 1EPBH

ACCESSORIES (on request)

- 5 litre 10 bar ¾ EPDM vessel
- 24 litre 8 bar 1" EPDM vessel
- 24 litre 10 bar 1" EPDM vessel
- PVC 5m key float with counter-weight
- PVC 10m key float with counter-weight
- SQUARE-D FSG-2 1.4÷4.6 bar G¼ F pressure switch
- FYG-22 2.8÷7 bar G¼ F pressure switch
- Presscomfort - Pressure regulator
- Press•o•Matic - Variable speed control system (230V±10% single phase - power supply three phase 220V output – maximum motor power 2.2 kW - 3 HP)
- E-drive - Frequency converter

APPLICATIONS

- Pressure boosting domestic plants
- Small-scale irrigation
- Moving non-aggressive liquids for civil and industrial use
- Washing plants
- Washing vehicles

TECHNICAL DETAILS

- Available with brass impeller (CMA 0.50 M GO, CMA 0.75 M GO, CMA 1.00 M GO)
- The CMR version is equipped with an open impeller
- They can be inserted into machinery for industrial use

PUMP TECHNICAL DATA

- Maximum working pressure:
 - 6 bar for CMA 0.50 - 0.75 - 1.00, CMB 0.75 - 1.00 - 1.50 - 2.00 - 3.00, CMC, CMD, CMR
 - 8 bar for CMA 1.50 - 2.00 - 3.00, CMB 4.00 - 5.50
 - Maximum temperature of the liquid:
 - 40°C for CMA 0.50 - 0.75 - 1.00
 - 90°C for the rest of the range
 - G1 suction connection for CMA 0.50 - 0.75 - 1.00, G1¼ for CMA 1.50 - 2.00 - 3.00, G2 for CMB - CMC, G2½ for CMD
 - G1 discharge connection for CMA, G1¼ for CMB, G1½ for CMR, G2 for CMC, G2½ for CMD
- MEI>0,4 (CMA-CMC), MEI>0,1 (CMB-CMD) For further information please see our Data Book

MOTOR TECHNICAL DATA

- High efficiency motors IE2 starting from 0,75kW
- Self-ventilated 2 pole asynchronous motor
- Class of insulation F
- IP44 Protection degree
- 230V ±10%, 50Hz single phase voltage, 230/400V ±10%, 50Hz three phase voltage
- Permanent capacitor inserted and thermo-amperometric protection with automatic rearm incorporated for the single phase motor
- Protection under user's responsibility for the three phase version

MATERIALS

- Cast iron pump casing
- Mechanical seal in Carbon/Ceramic/NBR
- Impeller:
 - in PPE+PS reinforced with fibreglass for CMA 0.50 - 0.75 - 1.00
 - in brass for CMA 1.50 - 2.00 - 3.00, CMB 2.00 - 3.00 - 4.00 - 5.50, CMR 0.75-1.00
 - in cast iron for CMB 0.75 - 1.00 - 1.50, CMC, CMD
- Shaft:
 - in AISI 416 (integral) for CMA 0.50
 - in AISI 303 (part in contact with the liquid) for CMA CMA 0.75 - 1.00 - 1.50 - 2.00 - 3.00, CMB 0.75 - 1.00, 1.50 - 2.00 - 3.00, CMC 0.75 - 1.00, CMD 1.50 - 2.00 - 3.00, CMR 0.75-1.00
 - in AISI 304 (part in contact with the liquid) for CMB 4.00 - 5.50, CMD 4.00
- Bracket:
 - in aluminium for CMA 0.50 - 0.75 - 1.00, CMB 0.75 - 1.00, CMC 0.75 - 1.00, CMR 0.75-1.00
 - in cast iron for the rest of the range





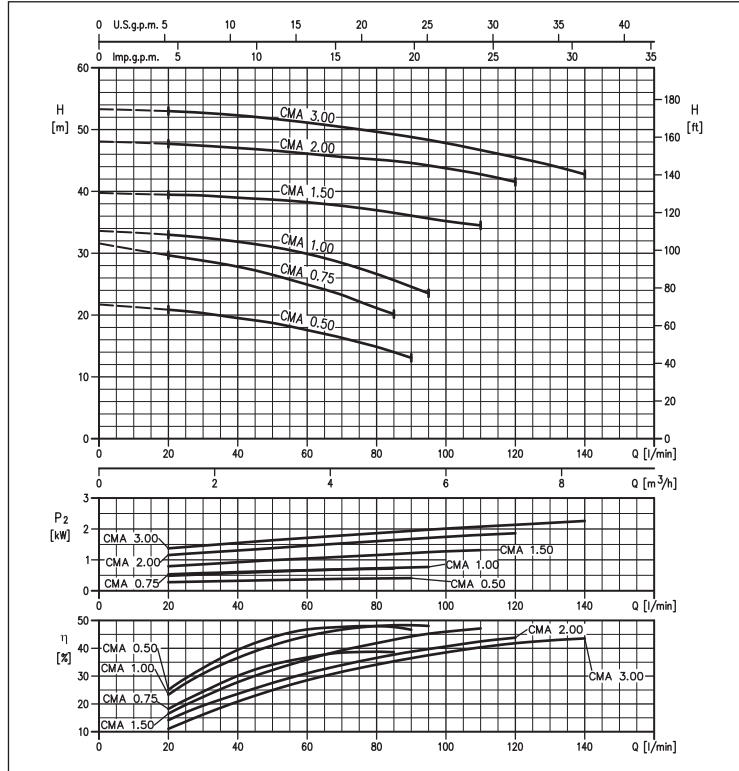
CMA - B - C - D - CMR

SINGLE IMPELLER CENTRIFUGAL ELECTRIC PUMPS

in cast iron

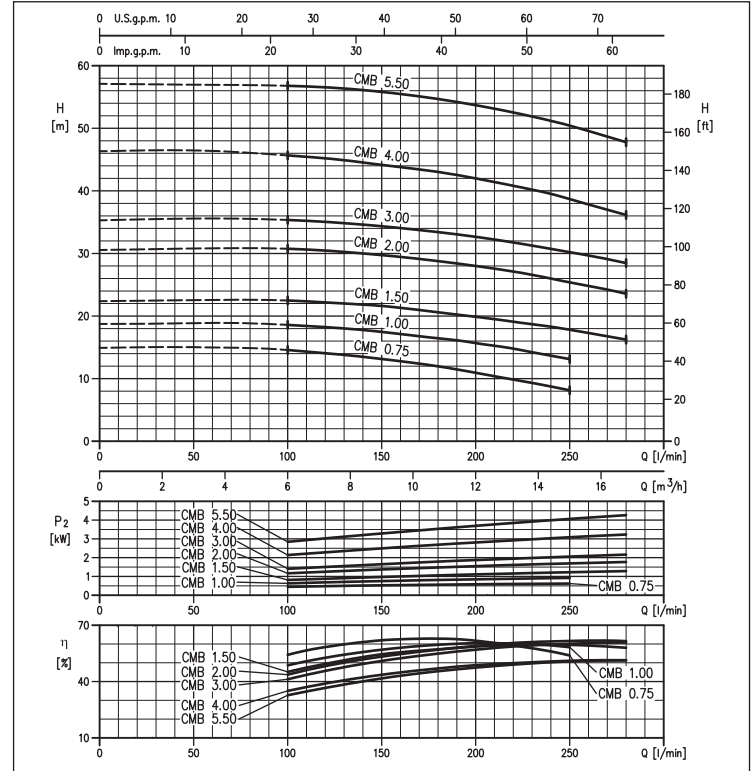
CMA range PERFORMANCE CURVES

(according to ISO 9906 Attachment A)



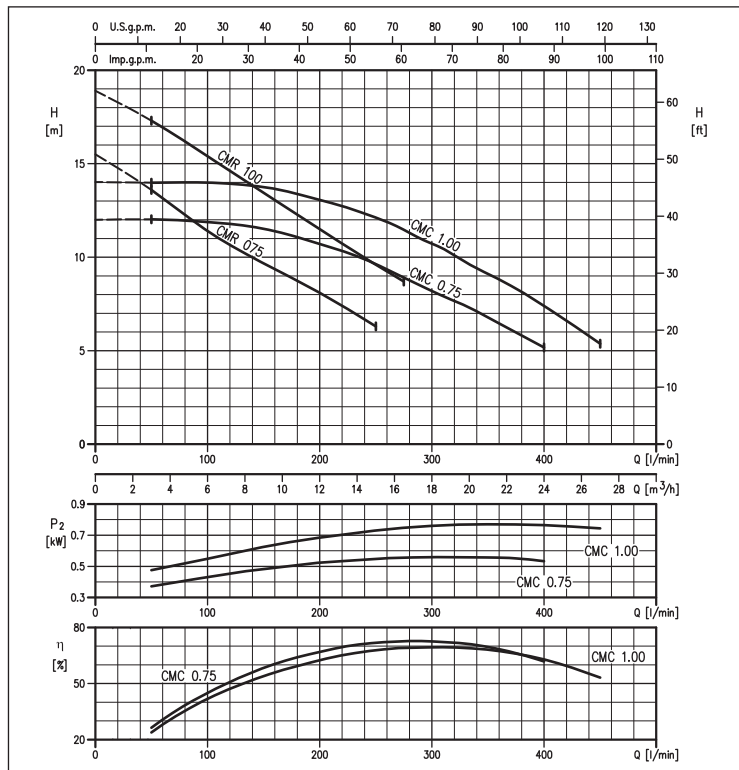
CMB range PERFORMANCE CURVES

(according to ISO 9906 Attachment A)



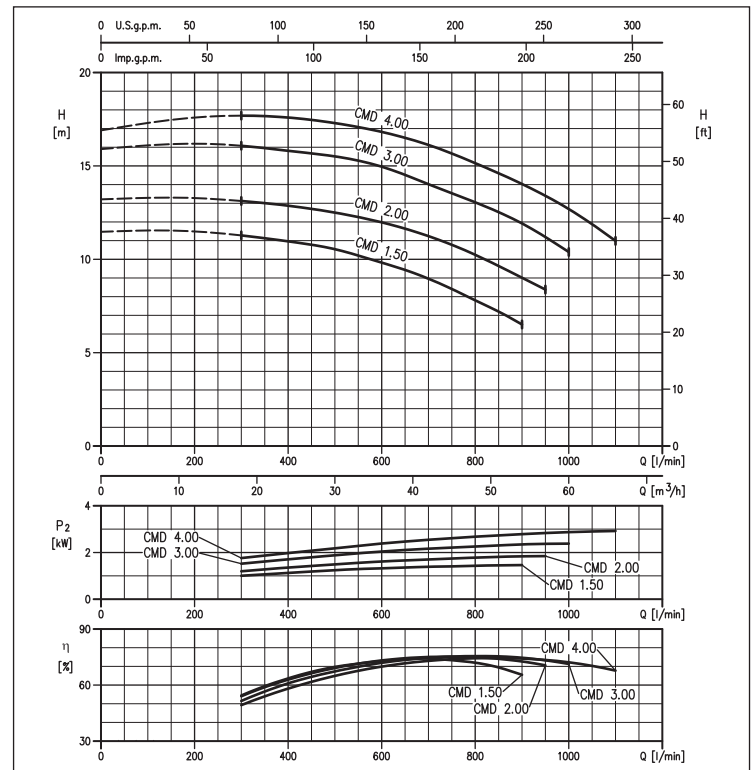
CMC-CMR range PERFORMANCE CURVES

(according to ISO 9906 Attachment A)



CMD range PERFORMANCE CURVES

(according to ISO 9906 Attachment A)



CMA - B - C - D - CMR

SINGLE IMPELLER CENTRIFUGAL ELECTRIC PUMPS

in cast iron

CMA PERFORMANCE TABLE

Model		P ₂		Q=Flow rate											
Single phase 230V	Three phase 230/400V	[HP]	[kW]	l/min	20	40	60	80	85	90	95	110	120	140	
				m ³ /h	1,2	2,4	3,6	4,8	5,1	5,4	5,7	6,6	7,2	8,4	
				H=Head [m]											
CMA 0.50 M	CMA 0.50 T	0,5	0,37	20,9	19,5	17,6	14,9	14,0	13,1	-	-	-	-	-	-
CMA 0.75 M	CMA 0.75 T	0,75	0,55	29,7	27,8	24,9	21,1	20,2	-	-	-	-	-	-	-
CMA 1.00 M	CMA 1.00 T	1	0,75	33,0	31,9	29,9	26,6	25,6	24,6	23,5	-	-	-	-	-
CMA 1.50 M	CMA 1.50 T	1,5	1,1	39,5	39,0	38,3	37,0	36,5	36,1	35,6	34,5	-	-	-	-
CMA 2.00 M	CMA 2.00 T	2	1,5	47,5	47,0	46,0	45,0	45,0	44,5	44,0	43,0	42,0	-	-	-
-	CMA 3.00 T	3	2,2	53,0	52,5	51,0	49,5	49,0	49,0	48,5	46,5	45,5	42,5	-	-

CMB PERFORMANCE TABLE

Model		P ₂		Q=Flow rate					
Single phase 230V	Three phase 230/400V	[HP]	[kW]	l/min	100	150	200	250	280
				m ³ /h	6	9	12	15,1	16,9
				H=Head [m]					
CMB 0.75 M	CMB 0.75 T	0,75	0,55	14,6	13,2	10,9	8,1	-	-
CMB 1.00 M	CMB 1.00 T	1	0,75	18,6	17,5	15,7	13,1	-	-
CMB 1.50 M	CMB 1.50 T	1,5	1,1	22,5	21,6	20,0	17,8	16,2	-
CMB 2.00 M	CMB 2.00 T	2	1,5	30,8	29,7	28,0	25,4	23,6	-
-	CMB 3.00 T	3	2,2	35,4	34,4	32,7	30,2	28,5	-
-	CMB 4.00 T	4	3	45,5	44,0	42,0	37,8	36,2	-
-	CMB 5.50 T	5,5	4	57,0	56,0	53,5	50,5	48,0	-

CMC PERFORMANCE TABLE

Model		P ₂		Q=Flow rate						
Single phase 230V	Three phase 230/400V	[HP]	[kW]	l/min	50	100	200	300	400	450
				m ³ /h	3	6	12	18,1	24,1	27,1
				H=Head [m]						
CMC 0.75 M	CMC 0.75 T	0,75	0,55	12,0	11,9	10,7	8,3	5,2	-	-
CMC 1.00 M	CMC 1.00 T	1	0,75	14,0	14,0	13,1	10,8	7,4	5,4	-

CMD PERFORMANCE TABLE

Model		P ₂		Q=Flow rate							
Single phase 230V	Three phase 230/400V	[HP]	[kW]	l/min	250	400	600	800	900	950	1000
				m ³ /h	18	24	36	48	54	57	60
				H=Head [m]							
CMD 1.50 M	CMD 1.50 T	1,5	1,1	11,3	11,0	9,8	7,8	6,5	-	-	-
CMD 2.00 M	CMD 2.00 T	2	1,5	13,1	12,9	12,0	10,2	9,0	8,4	-	-
-	CMD 3.00 T	3	2,2	16,1	15,8	15,0	13,1	11,9	11,2	10,4	-
-	CMD 4.00 T	4	3	17,7	17,6	16,8	15,2	14,0	13,4	12,7	-

CMR PERFORMANCE TABLE

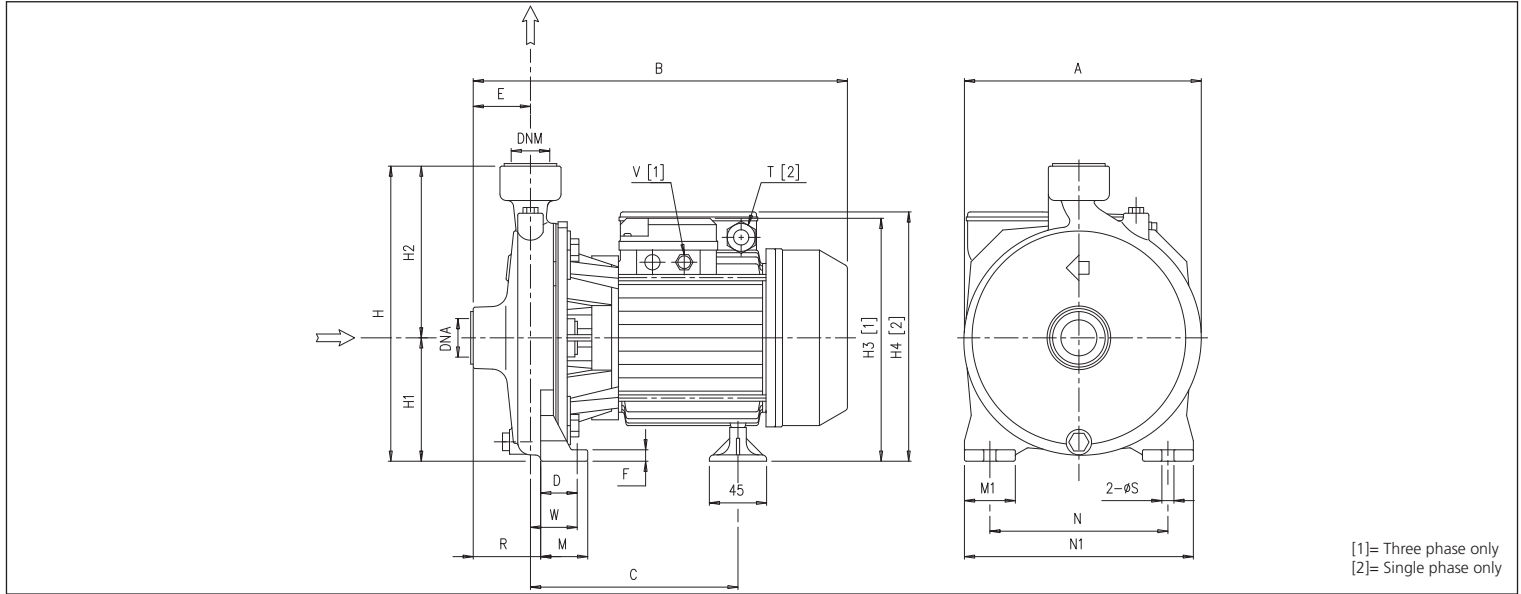
Model		P ₂		Q=Flow rate					
Single phase 230V	Three phase 230/400V	[HP]	[kW]	l/min	50	100	200	250	275
				m ³ /h	3	6	12	15	17,5
				H=Head [m]					
CMR 0.75 M	CMR 0.75 T	0,75	0,55	13,6	11,4	8,1	6,3	-	-
CMR 1.00 M	CMR 1.00 T	1	0,75	17,3	15,4	11,5	9,6	8,7	-

CMA - B - C - D - CMR

SINGLE IMPELLER CENTRIFUGAL ELECTRIC PUMPS

in cast iron

CMA-B-C-D - CMR DIMENSIONS



[1]= Three phase only
[2]= Single phase only

DIMENSIONS TABLE

Model	Dimensions [mm]																			Weight [kg]			
	A	B	C	D	E	F	H	H1	H2	H3 [1]	H4 [2]	M	M1	N	N1	R	T [2]	V [1]	W		S	DNA	DNM
CMA 0.50 M	160	261,8	158,8	30	44	8	202	82	120	-	173	40	40	110	150	44	PG11	-	30	9,5	G 1	G 1	7,2
CMA 0.50 T	160	261,8	158,8	30	44	8	202	82	120	172,5	-	40	40	110	150	44	-	PG11	30	9,5	G 1	G 1	7,1
CMA 0.75 M	185	300,3	171,8	36,8	45	9	232	97	135	-	198	45	40	140	180	45	PG11	-	36,8	9,5	G 1	G 1	10,3
CMA 0.75 T	185	300,3	171,8	36,8	45	9	232	97	135	197,5	-	45	40	140	180	45	-	PG11	36,8	9,5	G 1	G 1	10,2
CMA 1.00 M	185	300,3	171,8	36,8	45	9	232	97	135	-	198	45	40	140	180	45	PG11	-	36,8	9,5	G 1	G 1	11,5
CMA 1.00 T	185	300,3	171,8	36,8	45	9	232	97	135	197,5	-	45	40	140	180	45	-	PG11	36,8	9,5	G 1	G 1	11,6
CMA 1.50 M	200	347,3	208,3	41,8	45,5	9	252	100	152	-	232	50	40	155	194	45,5	PG13,5	-	41,8	9,5	G 1 1/4	G 1	19,5
CMA 1.50 T	200	347,3	208,3	41,8	45,5	9	252	100	152	214	-	50	40	155	194	45,5	-	PG11	41,8	9,5	G 1 1/4	G 1	19,9
CMA 2.00 M	225	360,3	208,3	41,8	45,5	9	285	115	170	-	247	50	40	180	220	45,5	PG13,5	-	41,8	9,5	G 1 1/4	G 1	22,8
CMA 2.00 T	225	361	208,3	41,8	45,5	9	285	115	170	229	-	50	40	180	220	45,5	-	PG11	41,8	9,5	G 1 1/4	G 1	23,4
CMA 3.00 T	225	360,3	208,3	41,8	45,5	9	285	115	170	229	-	50	40	180	220	45,5	-	PG11	41,8	9,5	G 1 1/4	G 1	23,4
CMB 0.75 M	188	315,3	182,3	36,8	49,5	9	251,5	101,5	150	-	127,5	45	40	140	180	65,5	PG11	-	52,8	9,5	G 2	G 1 1/4	11,6
CMB 0.75 T	188	315,3	182,3	36,8	49,5	9	251,5	101,5	150	127	-	45	40	140	180	65,5	-	PG11	52,8	9,5	G 2	G 1 1/4	11,6
CMB 1.00 M	188	315,3	182,3	36,8	49,5	9	251,5	101,5	150	-	127,5	45	40	140	180	65,5	PG11	-	52,8	9,5	G 2	G 1 1/4	13,7
CMB 1.00 T	188	315,3	182,3	36,8	49,5	9	251,5	101,5	150	127	-	45	40	140	180	65,5	-	PG11	52,8	9,5	G 2	G 1 1/4	13,7
CMB 1.50 M	188	349,3	206,3	36,8	49,5	9	251,5	101,5	150	-	233,5	45	40	140	180	65,5	PG13,5	-	52,8	9,5	G 2	G 1 1/4	19,9
CMB 1.50 T	188	349,3	206,3	36,8	49,5	9	251,5	101,5	150	215,5	-	45	40	140	180	65,5	-	PG11	52,8	9,5	G 2	G 1 1/4	19,5
CMB 2.00 M	200	373,3	209,3	36,8	57,5	9	271,5	111,5	160	-	243,5	45	40	160	200	76,5	PG13,5	-	55,8	9,5	G 2	G 1 1/4	21,0
CMB 2.00 T	200	374	209,3	36,8	57,5	9	271,5	111,5	160	225,5	-	45	40	160	200	76,5	-	PG11	55,8	9,5	G 2	G 1 1/4	22,0
CMB 3.00 T	200	373,3	209,3	36,8	57,5	9	271,5	111,5	160	225,5	-	45	40	160	200	76,5	-	PG11	55,8	9,5	G 2	G 1 1/4	21,3
CMB 4.00 T	247	428,8	222,3	48	60	12	323,5	133,5	190	264,5	-	60	50	190	240	77,5	-	PG16	65,5	12	G 2	G 1 1/4	37,7
CMB 5.50 T	247	469	222,3	48	60	12	323,5	133,5	190	264,5	-	60	50	190	240	77,5	-	PG16	65,5	12	G 2	G 1 1/4	43,4
CMC 0.75 M	186	313,3	186,8	36,8	43	9	247	97	150	-	198	45	40	140	180	63,5	PG11	-	57,3	9,5	G 2	G 2	11,6
CMC 0.75 T	186	313,3	186,8	36,8	43	9	247	97	150	197,5	-	45	40	140	180	63,5	-	PG11	57,3	9,5	G 2	G 2	11,6
CMC 1.00 M	186	313,3	186,8	36,8	43	9	247	97	150	-	198	45	40	140	180	63,5	PG11	-	57,3	9,5	G 2	G 2	13,0
CMC 1.00 T	186	313,3	186,8	36,8	43	9	247	97	150	197,5	-	45	40	140	180	63,5	-	PG11	57,3	9,5	G 2	G 2	13,8
CMD 1.50 M	213	384,3	222,8	36,8	68	12	271,5	111,5	160	-	243,5	45	40	160	200	100,5	PG13,5	-	69,3	9,5	G 2 1/2	G 2 1/2	21,3
CMD 1.50 T	213	384,3	222,8	36,8	68	12	271,5	111,5	160	225,5	-	45	40	160	200	100,5	-	PG11	69,3	9,5	G 2 1/2	G 2 1/2	22,2
CMD 2.00 M	213	397,3	222,8	36,8	68	12	271,5	111,5	160	-	243,5	45	40	160	200	100,5	PG13,5	69,3	9,5	G	G 2 1/2	G 2 1/2	23,0
CMD 2.00 T	213	398	222,8	36,8	68	12	271,5	111,5	160	225,5	-	45	40	160	200	100,5	-	PG11	69,3	9,5	G 2 1/2	G 2 1/2	23,3
CMD 3.00 T	213	397,3	222,8	36,8	68	12	271,5	111,5	160	225,5	-	45	40	160	200	100,5	-	PG11	69,3	9,5	G 2 1/2	G 2 1/2	23,0
CMD 4.00 T	213	449,3	234,8	36,8	68	12	271,5	111,5	160	354	-	45	50	160	200	100,5	-	PG16	69,3	9,5	G 2 1/2	G 2 1/2	34,3
CMR 0.75 M	180	310,3	181,8	36,8	45	9	229	97	132	197,5	198	45	40	140	180	60,5	PG11	PG11	52,3	9,5	G 1 1/2	G 1 1/2	10,7
CMR 0.75 T	180	310,3	181,8	36,8	45	9	229	97	132	197,5	198	45	40	140	180	60,5	PG11	PG11	52,3	9,5	G 1 1/2	G 1 1/2	10,7
CMR 1.00 M	180	310,3	181,8	36,8	45	9	229	97	132	197,5	198	45	40	140	180	60,5	PG11	PG11	52,3	9,5	G 1 1/2	G 1 1/2	11,9
CMR 1.00 T	180	310,3	181,8	36,8	45	9	229	97	132	197,5	198	45	40	140	180	60,5	PG11	PG11	52,3	9,5	G 1 1/2	G 1 1/2	12,7

[1]= Three phase only
[2]= Single phase only

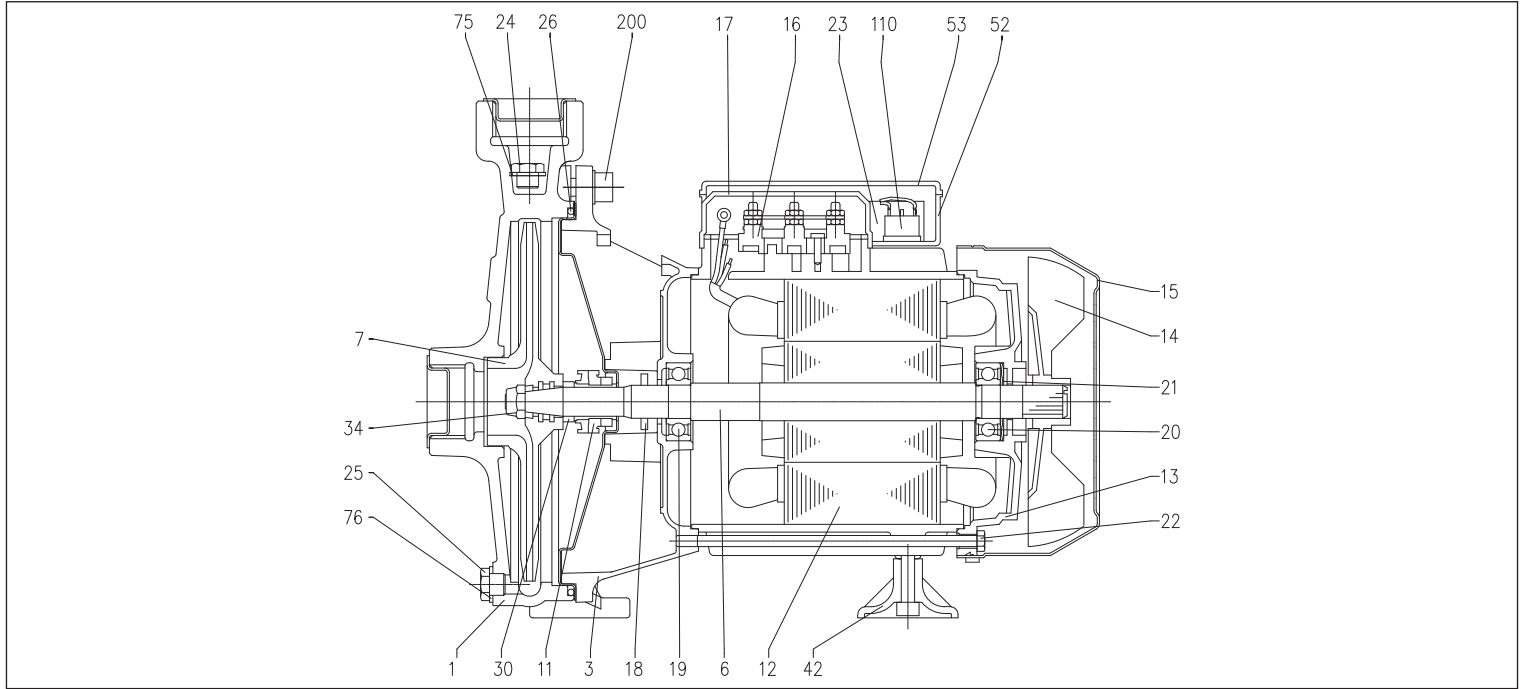
The contents of this publication must not be regarded as binding. EBARA Pumps Europe S.p.A. reserves the right to effect any modification it deems necessary without prior notice.

CMA - B - C - D - CMR

SINGLE IMPELLER CENTRIFUGAL ELECTRIC PUMPS

in cast iron

SECTIONAL VIEW for CMA-B-C-D up to 1.00 HP



MATERIALS TABLE

Ref.	Name	Material	Ref.	Name	Material
1	Pump body	Cast iron	21	Adjusting ring	Steel C70
3	Motor support	Aluminium	22	Tie-rod	Galvanised Fe 42
4	Seal housing disc	AISI 304	23	Capacitor [2]	-
6	Shaft	[3]	24	Filler cap	Brass
7	Impeller	[4]	25	Drain plug	Brass
11	Mechanical seal	Carbon/Ceramic/NBR	26	O-Ring	NBR
12	Motor casing with stator	-	30	Seal spacer [5]	Brass
13	Motor cover	Aluminium	34	Impeller nut [6]	AISI 304
14	Fan	PA6	42	Foot	PP
15	Fan cover	Galvanised Fe P04	52	Capacitor-holder box [2]	ABS
16	Terminal box	-	53	Capacitor-holder box cover [2]	ABS
17	Terminal box cover [1]	Aluminium	75	Washer	Aluminium
18	Spray protector ring	NBR	76	Washer	Aluminium
19	Bearing (pump side)	-	110	Protector [2]	-
20	Bearing (motor side)	-	200	Screw (Pump body)	Zn stainless steel Cl. 8.8 ISO 898-1

[1]= For Three phase only

[3]= AISI 416 (integral) for CMA 0.50, AISI 303 (part in contact with the liquid) for the rest of the range

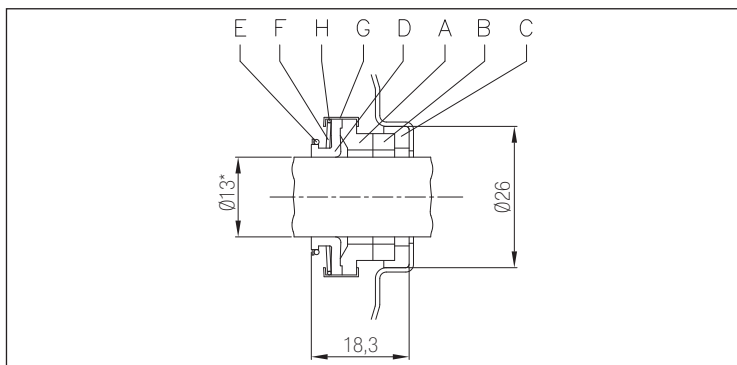
[5]= Solo CMA 0.50, CMB 0.75 - 1.00, CMC 0.75 - 1.00 only

[2]= For single phase only

[4]= PPE+PS reinforced with fibreglass per CMA, cast iron for CMB, CMC

[6]= Except for CMA 0.50

MECHANICAL SEAL per CMA-B-C-D up to 1.00 HP



MATERIALS TABLE

Ref.	Name	Material
A	Rotating part	Carbon
B	Fixed part	Ceramic
C	Gasket	NBR
D	Diaphragm	NBR
E	Ring	AISI 304
F	Spring	AISI 304
G	Structure/frame	AISI 304
H	Retainer ring	AISI 304

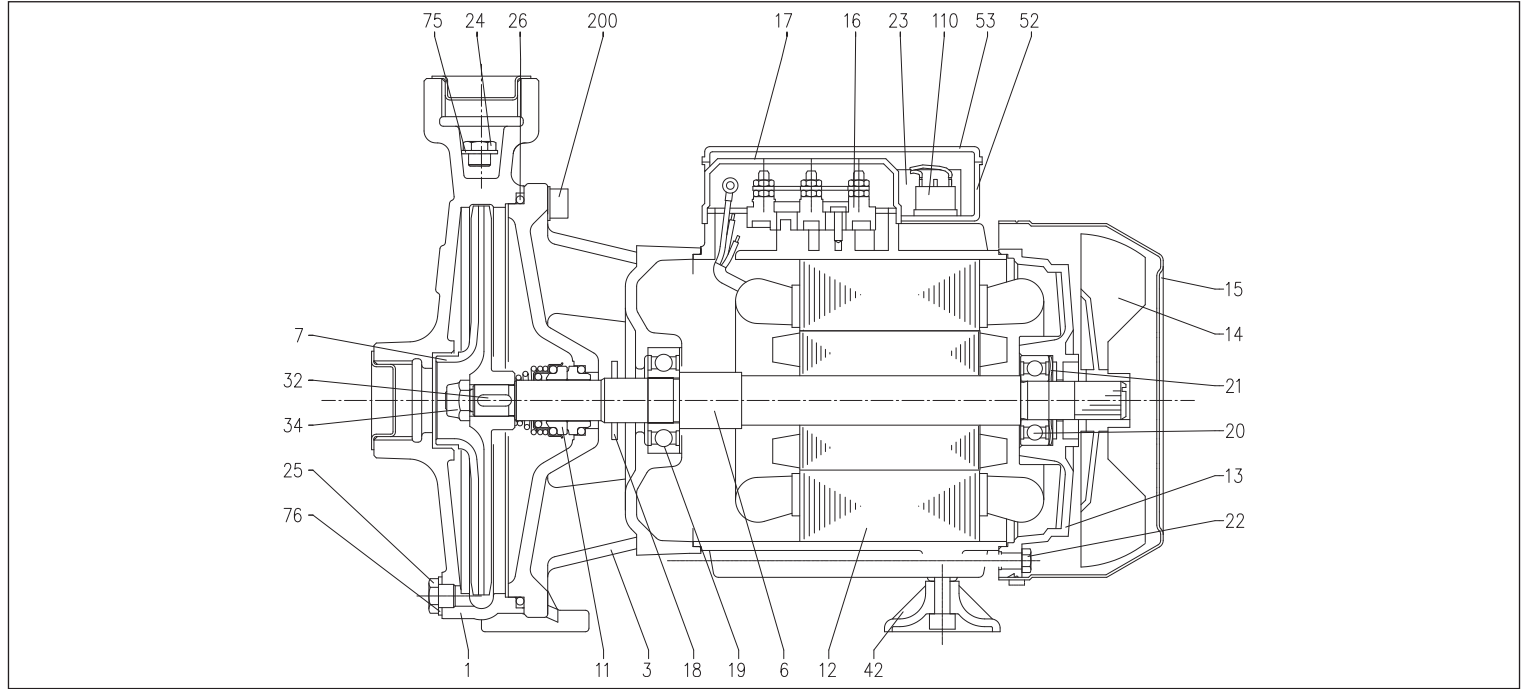
*= Ø12 per CMA 0.50

CMA - B - C - D - CMR

SINGLE IMPELLER CENTRIFUGAL ELECTRIC PUMPS

in cast iron

SECTIONAL VIEW for CMA-B-C-D up to 1.50 HP and over



MATERIALS TABLE

Ref.	Name	Material	Ref.	Name	Material
1	Pump body	Cast iron	22	Tie-rod	Galvanised Fe 42
3	Motor support	Cast iron	23	Capacitor [2]	-
6	Rotor shaft	[3]	24	Filler cap	Brass
7	Impeller	[4]	25	Drain plug	Brass
11	Mechanical seal	Carbon/Ceramic/NBR	26	O-Ring	NBR
12	Motor case	-	32	Key	AISI 316
13	Motor cover [1]	Aluminium	34	Impeller nut	AISI 304
14	Fan	PA6	42	Foot	PP
15	Fan cover	Galvanised Fe P04	52	Capacitor-holder box [2]	ABS
16	Terminal box	-	53	Capacitor-holder box cover [2]	ABS
17	Terminal box cover [1]	Aluminium	75	Washer	Aluminium
18	Spray protector ring	NBR	76	Washer	Aluminium
19	Bearing (pump side)	-	110	Motorprotector	-
20	Bearing (motor side)	-	200	Screw (Pump body)	Zn stainless steel Cl. 8.8 ISO 898-1
21	Adjusting ring	Steel C70			

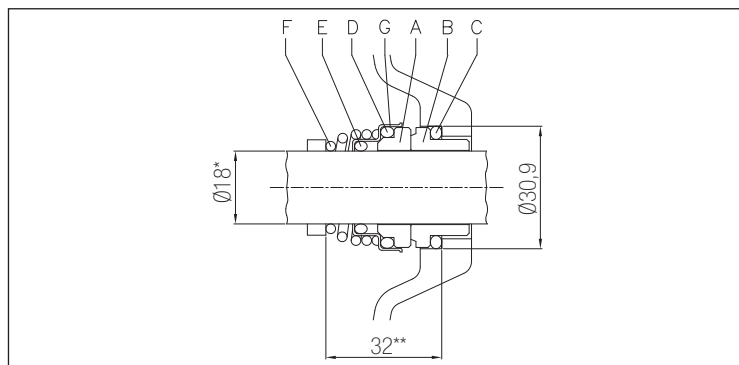
[1]= For Three phase only

[2]= For single phase only

[3]= AISI 303 (part in contact with the liquid) per CMA, CMB 1.50 - 2.00 - 3.00, CMD 1.50 - 2.00 - 3.00, AISI 304 (part in contact with the liquid) for CMB 4.00 - 5.50, CMD 4.00

[4]= Brass for CMA, CMB 2.00 - 3.00 - 4.00 - 5.50, cast iron for CMB 1.50, CMD

MECHANICAL SEAL for CMA-B-C-D up to 1.50 HP and over



*= Ø20 per CMB 4.00 - 5.50

**= 33 per CMB 4.00 - 5.50

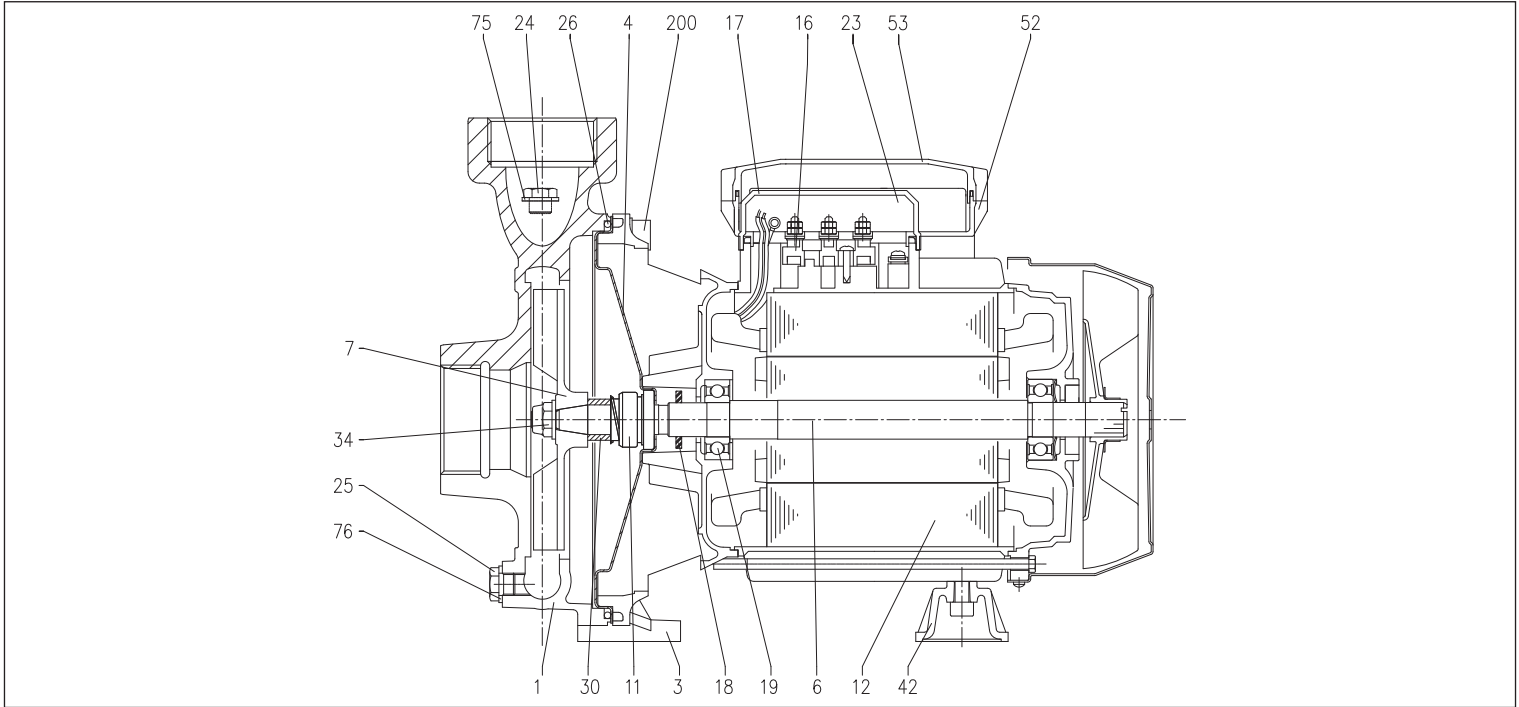
MATERIALS TABLE

Ref.	Name	Material
A	Rotating part	Ceramic
B	Fixed part	Carbon
C	O-Ring	NBR
D	O-Ring	NBR
E	O-Ring	NBR
F	Spring	AISI 316
G	Structure/frame	AISI 304

SINGLE IMPELLER CENTRIFUGAL ELECTRIC PUMPS

in cast iron

SECTIONAL VIEW for CMR

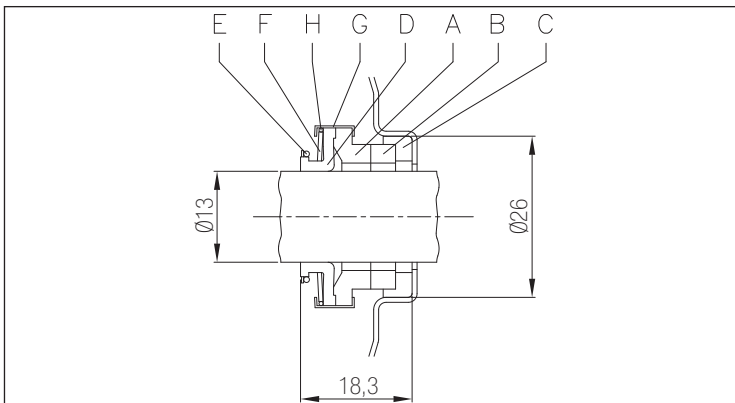


MATERIALS TABLE

Ref.	Name	Material	Ref.	Name	Material
1	Pump body	Cast iron	21	Adjusting ring	Steel C70
3	Motor support	Aluminium	22	Tie-rod	Galvanised Fe 42
4	Seal housing disc	AISI 304	23	Capacitor [2]	-
6	Rotor shaft	AISI 303 (part in contact with the liquid)	24	Filler cap	Brass
7	Impeller	Brass	25	Drain plug	Brass
11	Mechanical seal	Carbon/Ceramic/NBR	26	O-Ring	NBR
12	Motor case	-	30	Seal spacer	Brass
13	Motor cover [1]	Aluminium	34	Impeller nut	AISI 304
14	Fan	PP	42	Foot	PP
15	Fan cover	Galvanised Fe P04	52	Capacitor-holder box [2]	ABS
16	Terminal box	-	53	Capacitor-holder box cover [2]	ABS+NBR
17	Terminal box cover [1]	Aluminium	75	Washer	Aluminium
18	Spray protector ring	NBR	76	Washer	Aluminium
19	Bearing (pump side)	-	200	Screw (Pump body)	Zn stainless steel Cl. 8.8 ISO 898-1
20	Bearing (motor side)	-			

[1]= For Three phase only [2]= For single phase only

MECHANICAL SEAL for CMR



MATERIALS TABLE

Ref.	Name	Material
A	Rotating part	Carbon
B	Fixed part	Ceramic
C	Gasket	NBR
D	Diaphragm	NBR
E	Ring	AISI 304
F	Spring	AISI 304
G	Structure/frame	AISI 304
H	Retainer ring	AISI 304

SINGLE IMPELLER CENTRIFUGAL ELECTRIC PUMPS

in cast iron

CMA-B-C-D - CMR ELECTRIC DATA TABLE

Model Single phase 230V	Model Three phase 230/400V	P ₂		Efficiency		Capacitor Single phase		Efficiency (%) Three phase			P ₁		Absorbed Current [A]		
		[HP]	[kW]	Single phase	Three phase	μF	V _c	η %	Single phase [kW]	Three phase [kW]	Single phase 230V	Three phase 230V	Three phase 400V		
CMA 0.50 M	CMA 0.50 T	0,5	0,37	-	-	10	450	-	-	-	0,66	0,63	3,2	2,4	1,4
CMA 0.75 M	CMA 0.75 T	0,75	0,55	-	-	16	450	-	-	-	1,02	0,97	4,7	3,2	1,8
CMA 1.00 M	CMA 1.00 T	1	0,75	-	IE2	20	450	77,2	80,9	81,3	1,35	1,11	6,2	3,4	2,0
CMA 1.50 M	CMA 1.50 T	1,5	1,1	-	IE2	40	450	79,7	82,5	83,0	1,73	1,80	8,0	5,6	3,2
CMA 2.00 M	CMA 2.00 T	2	1,5	-	IE2	40	450	80,3	83,4	83,8	2,4	2,33	10,3	7,6	4,4
-	CMA 3.00 T	3	2,2	-	IE2	-	-	83,0	84,4	83,8	-	2,77	-	8,5	4,9
CMB 0.75 M	CMB 0.75 T	0,75	0,55	-	-	14	450	-	-	-	0,98	0,95	4,5	3,0	1,7
CMB 1.00 M	CMB 1.00 T	1	0,75	-	IE2	20	450	77,2	80,9	81,3	1,33	1,17	6,0	3,4	2,0
CMB 1.50 M	CMB 1.50 T	1,5	1,1	-	IE2	40	450	79,7	82,5	83,0	1,77	1,80	8,2	5,6	3,2
CMB 2.00 M	CMB 2.00 T	2	1,5	-	IE2	40	450	80,3	83,4	83,8	2,3	2,09	10,3	7,0	4,0
-	CMB 3.00 T	3	2,2	-	IE2	-	-	83,0	84,4	83,8	-	2,63	-	8,2	4,7
-	CMB 4.00 T	4	3	-	IE2	-	-	83,1	86,3	86,8	-	3,76	-	11,8	6,8
-	CMB 5.50 T	5,5	4	-	IE2	-	-	84,3	87,2	87,8	-	4,56	-	15,1	8,7
CMC 0.75 M	CMC 0.75 T	0,75	0,55	-	-	14	450	-	-	-	0,92	0,9	4,2	2,8	1,6
CMC 1.00 M	CMC 1.00 T	1	0,75	-	IE2	20	450	77,2	80,9	81,3	1,15	0,92	5,3	3,0	1,7
CMD 1.50 M	CMD 1.50 T	1,5	1,1	-	IE2	40	450	79,7	82,5	83,0	1,86	1,80	8,5	5,6	3,2
CMD 2.00 M	CMD 2.00T	2	1,5	-	IE2	40	450	80,3	83,4	83,8	2,3	2,09	10,3	7,0	4,0
-	CMD 3.00 T	3	2,2	-	IE2	-	-	83,0	84,4	83,8	-	2,63	-	8,2	4,7
-	CMD 4.00 T	4	3	-	IE2	-	-	83,1	86,3	86,8	-	3,46	-	11,3	6,5
CMR 0.75 M	CMR 0.75 T	0,75	0,55	-	-	14	450	-	-	-	0,84	0,8	3,8	2,8	1,8
CMR 1.00 M	CMR 1.00 T	1	0,75	-	IE2	20	450	77,2	80,9	81,3	1,07	0,92	4,85	2,9	1,7

NOISE DATA TABLE

Model Single phase 230V	Model Three phase 230/400V	P ₂		L _{pA} - dB(A)*	
		[HP]	[kW]		
CMA 0.50 M	CMA 0.50 T	0,5	0,37	<70	
CMA 0.75 M	CMA 0.75 T	0,75	0,55		
CMA 1.00 M	CMA 1.00 T	1	0,75		
CMA 1.50 M	CMA 1.50 T	1,5	1,1		
CMA 2.00 M	CMA 2.00 T	2	1,5		
-	CMA 3.00 T	3	2,2		
CMB 0.75 M	CMB 0.75 T	0,75	0,55	<70	
CMB 1.00 M	CMB 1.00 T	1	0,75		
CMB 1.50 M	CMB 1.50 T	1,5	1,1		
CMB 2.00 M	CMB 2.00 T	2	1,5		
-	CMB 3.00 T	3	2,2		
-	CMB 4.00 T	4	3		
-	CMB 5.50 T	5,5	4	72	
CMC 0.75 M	CMC 0.75 T	0,75	0,55	<70	
CMC 1.00 M	CMC 1.00 T	1	0,75		
CMD 1.50 M	CMD 1.50 T	1,5	1,1	<70	
CMD 2.00 M	CMD 2.00T	2	1,5		
-	CMD 3.00 T	3	2,2		
-	CMD 4.00 T	4	3		72
CMR 0.75 M	CMR 0.75 T	0,75	0,55		<70
CMR 1.00 M	CMR 1.00 T	1	0,75		

* Mean value of several measures at 1m distance around the pump.
Tolerance ± 2,5 dB.

Residential

