

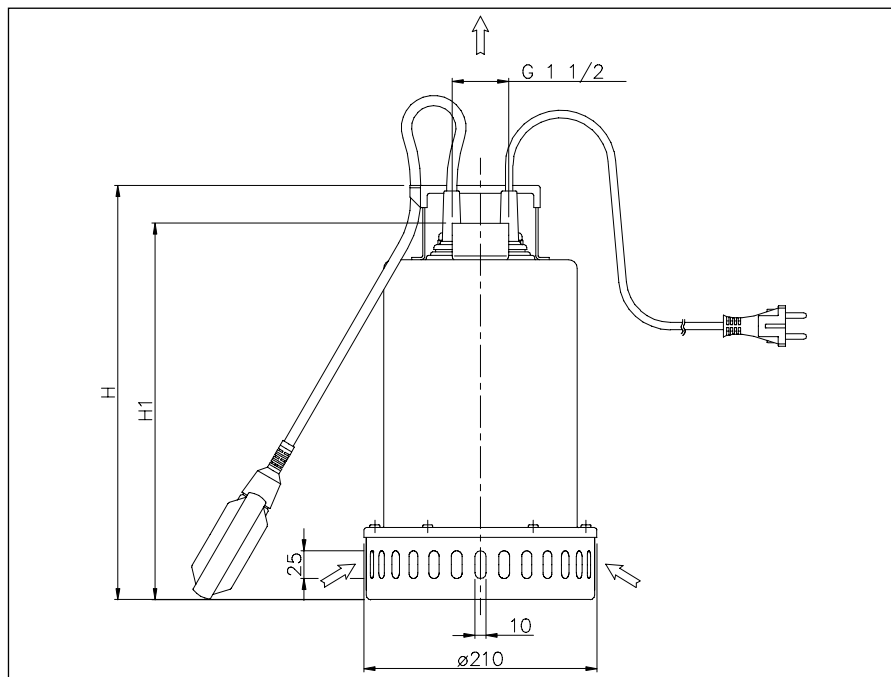
BEST 2-5

SUBMERSIBLE ELECTRIC PUMPS in AISI 304

PERFORMANCE TABLE

Model	P ₁ [HP]	P ₂ [kW]	Capacitor		Absorbed Curr. [A]		l/min m ³ /h	Q=Flow rate											
			μF	Vc	1~	3~		20	40	80	120	160	170	200	260	280	300	330	360
BEST 2 M	BEST 2	0,75	0,55	16	450	4,4	2	12,2	11,4	9,8	8,3	6,7	6,3	5,0	2,9	-	-	-	-
BEST 3 M	BEST 3	1	0,75	20	450	5,6	2,4	13,6	12,7	11,1	9,5	7,9	7,6	6,4	4,0	3,2	-	-	-
BEST 4 M	BEST 4	1,5	1,1	30	450	7,3	3	17,4	16,6	15,0	13,4	11,7	11,3	10,0	7,5	6,7	5,9	4,6	-
	BEST 5	2	1,5	-	-	-	3,3	18,4	17,7	16,1	14,5	12,8	12,5	11,4	9,0	8,0	7,4	6,0	5,0

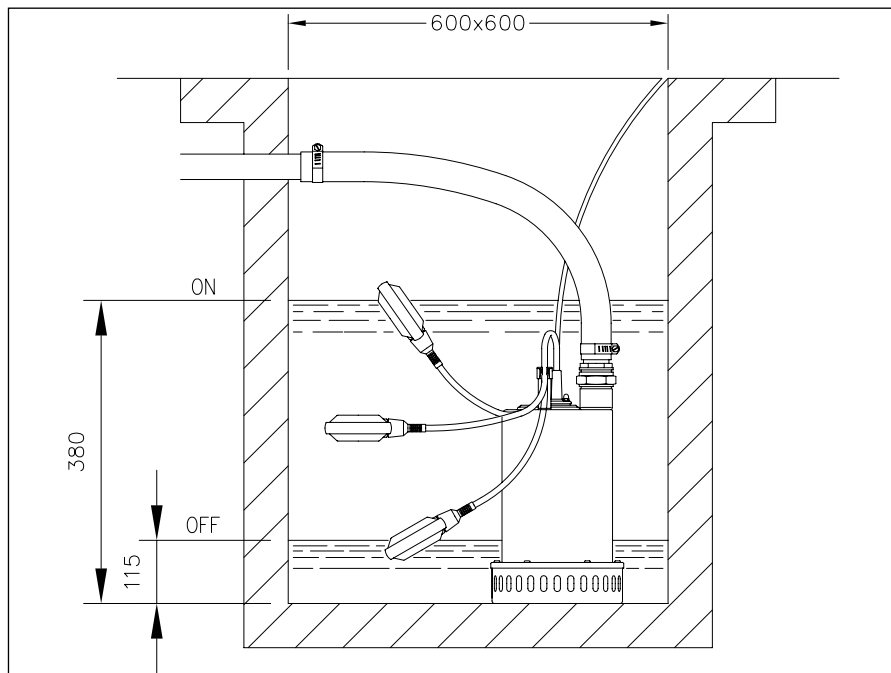
DIMENSIONS



DIMENSIONS TABLE

Model	Dimensions [mm]		Weight [kg]
	H	H1	
BEST 2	352	315	12,0
BEST 3	352	315	12,7
BEST 4	377	340	13,8
BEST 5	377	340	13,5

INSTALLATION

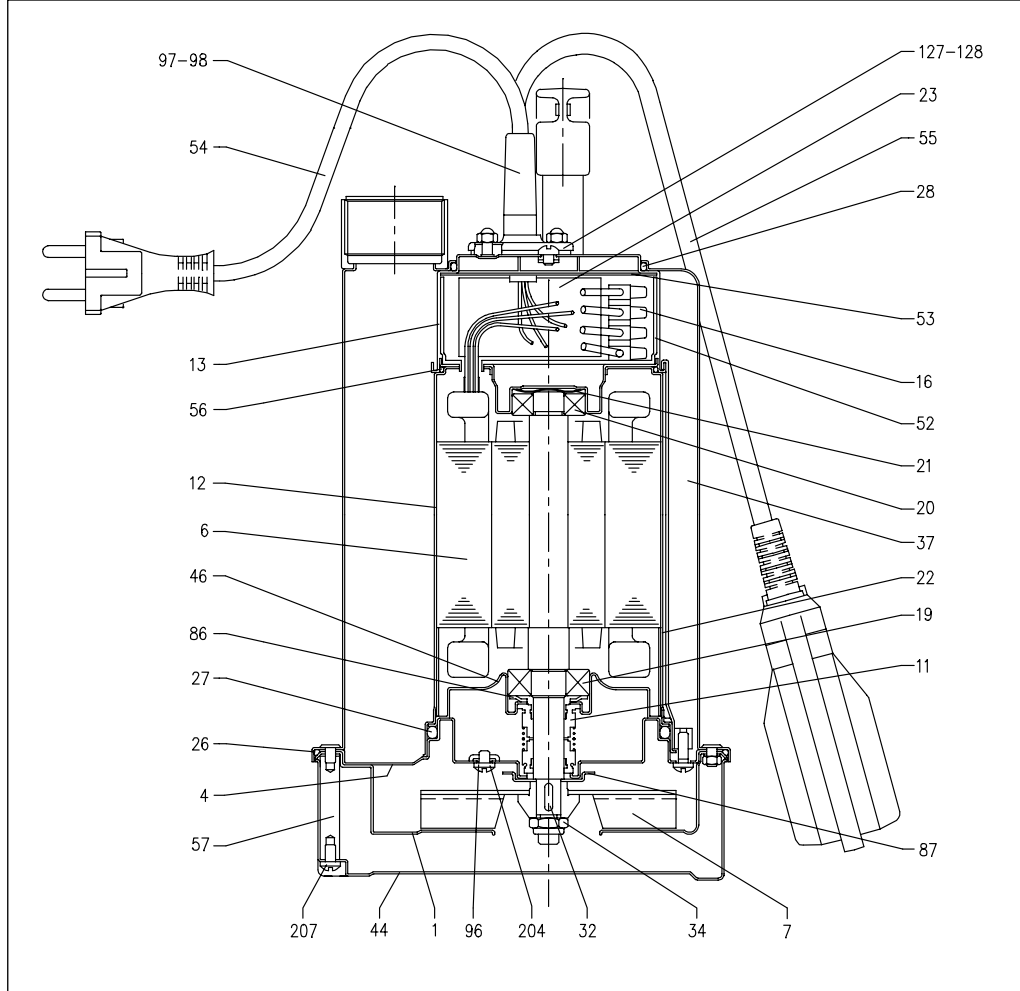


BEST 2-5

SUBMERSIBLE ELECTRIC PUMPS

in AISI 304

SECTIONAL VIEW



Wastewater

MATERIALS TABLE

Ref.	Name	Material	Ref.	Name	Material
1	Volute	AISI 304	37	External pump body	AISI 304
4	Motor support	AISI 304	44	Filter	AISI 304
6	Shaft with rotor	AISI 303	46	Bearing support	AISI 304
7	Impeller	AISI 304	52	P/cap. box	PA66 reinf. with fibreglass
11	Mechanical seal	NBR	53	Box lid	PA66
12	Motor case	-	54	Cable	-
13	Motor cover	AISI 304	55	Float	-
16	Box	-	56	O-Ring	NBR
19	Pump side bearing	-	57	Nut	AISI 303
20	Fan side bearing	-	86	Washer	AISI 304
21	Adjusting ring	Steel C70	87	Wear ring	AISI 304
22	Tie-rod	AISI 304	96	O-Ring	NBR
23	Capacitor	-	97	Cable gland	NBR
26	O-Ring	NBR	98	Cable gland	NBR
27	O-Ring	NBR	127	Cable gland	AISI 304
28	O-Ring	NBR	128	Cable gland	AISI 304
32	Key	AISI 304	204	Screw	Steel A2 UNI 7323
34	Impeller nut	AISI 304	207	Screw	Steel A2 UNI 7323

