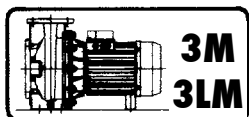


# 3 - 3L SERIES

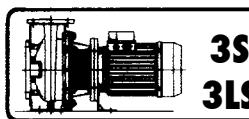
## CENTRIFUGAL ELECTRIC PUMPS STANDARDISED IN COMPLIANCE WITH EN 733 (EX DIN 24255)



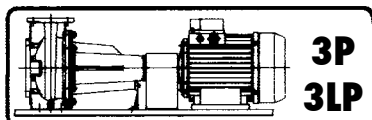
### Available in 4 versions with 2 and 4 pole motors



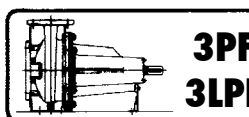
Monobloc with extended motor shaft



Monobloc with standard motor and rigid joint



On base, with standard motor and flexible coupling



Pump with bare shaft

### SPECIAL VERSIONS

- Series 3Z: electropump inclusive of rotary bracket and body without supporting foot.

### ACCESSORIES (On request)

- Counter-flanges available in the following materials:
  - galvanised
  - AISI 304
  - AISI 316

Standardised centrifugal electric pumps built in stainless steel AISI 304 (3 SERIES) and AISI 316L (3L SERIES).

### APPLICATIONS

- Water supply to civil, agricultural and industrial plants
- Pressure boosting
- Fire-fighting, heating systems and air-conditioning
- Moving industrial liquids
- Irrigation
- Refrigeration towers
- Swimming pools
- Emptying
- Washing plants

### TECHNICAL DETAILS

- Highly resistant construction
- Hydroforming process EBARA patent

### PUMP TECHNICAL DATA

- Maximum working pressure: 10 bar
  - Maximum temperature of the liquid:
    - 10°C ÷ +90°C
    - 10°C ÷ +110°C (L-H-HS-HW-HSW versions)
    - 20°C ÷ +120°C (E and ES version)
  - MEI >0,4
- For further information please see our Data Book on the web site [www.ebara-europe.com](http://www.ebara-europe.com)

### MOTOR TECHNICAL DATA

Series 3Z: electropump inclusive of rotary bracket and body without supporting foot.

- High efficiency IE2 motors starting from 1,1kW up to 5.5 kW
- High efficiency IE3 motors:
  - 3(.)M(Z) from 7.5 kW up to 18.5 kW
  - 3(.)S(Z), 3(.)P IE3 from 1.1 kW up to 55 kW
- Self-ventilated 2 and 4 poles asynchronous motor
- Class of insulation F (B for high temperatures)
- IP 55 protection degree
- 230V ±10% single phase voltage, 50Hz.
- 220-240/380-415V ±5% (up to 0,55kW included) three phase voltage, 50Hz for 3(L)M4 SERIES,
- 230/400V ±10% (from 0,75kW to 4kW included) three phase voltage, 50Hz for 3(L)M4 SERIES,
- 230/400V ±10% (up to 4kW included) three phase voltage, 50Hz for the rest of the range
- 400/690V ±10% (from 5,5 kW and above) three phase voltage, 50Hz
- Protection is user's responsibility

### MATERIALS

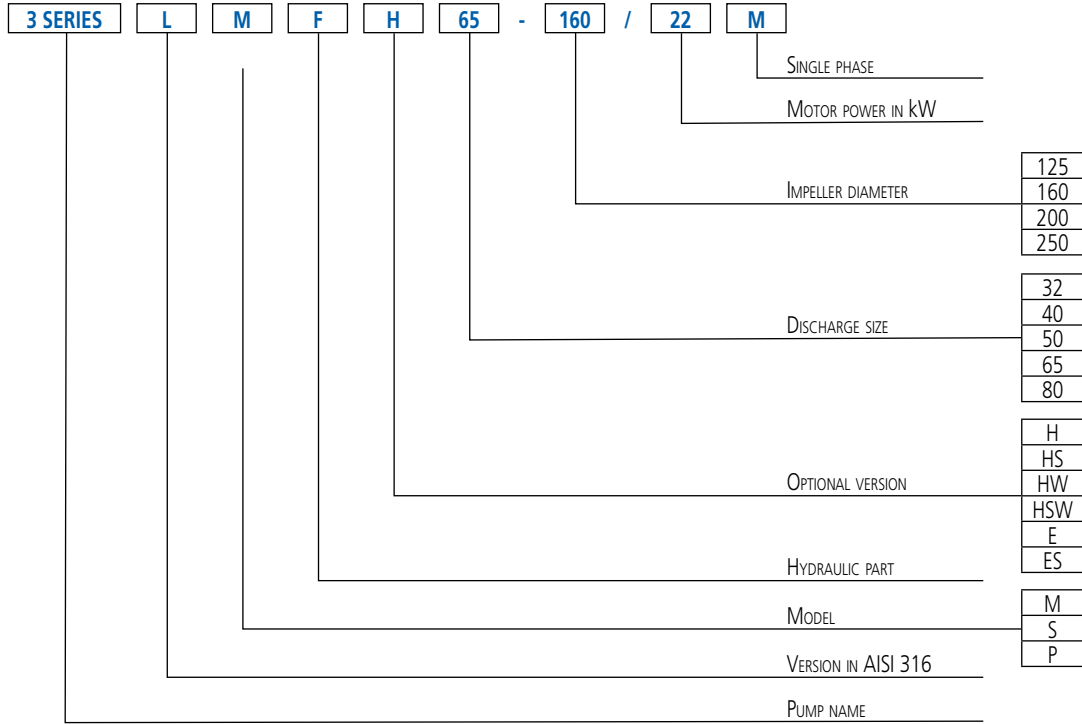
- Pump casing and casing cover in:
  - AISI 304 for 3 SERIES 32-125/160/200  
40-125/160/200  
50-125/160  
65-125/160/200
  - AISI 316L for 3L SERIES 32-125/160/200  
40-125/160/200  
50-125/160  
65-125/160/200
  - AISI 316 microcasted for 3L SERIES 65-250  
80-160/200/250
- Impeller in:
  - AISI 304 for 3 SERIES 32-125/160/200  
40-125/160/200  
50-125/160
  - AISI 316L for 3L SERIES 32-125/160/200  
40-125/160/200  
50-125/160
  - AISI 316 microcasted for 3 SERIES 65-125/160/200  
3L SERIES 65-125/160/200  
65-250  
80-160/200/250
- Mechanical seal standard in:
  - Carbon/Ceramic/NBR for 3 SERIES 32-125/160/200  
40-125/160/200  
50-125/160  
65-125/160/200
  - SiC/SiC/FPM for 3L SERIES 32-125/160/200  
40-125/160/200  
50-125/160  
65-125/160/200/250  
80-160/200/250
- Special mechanical seals available on request



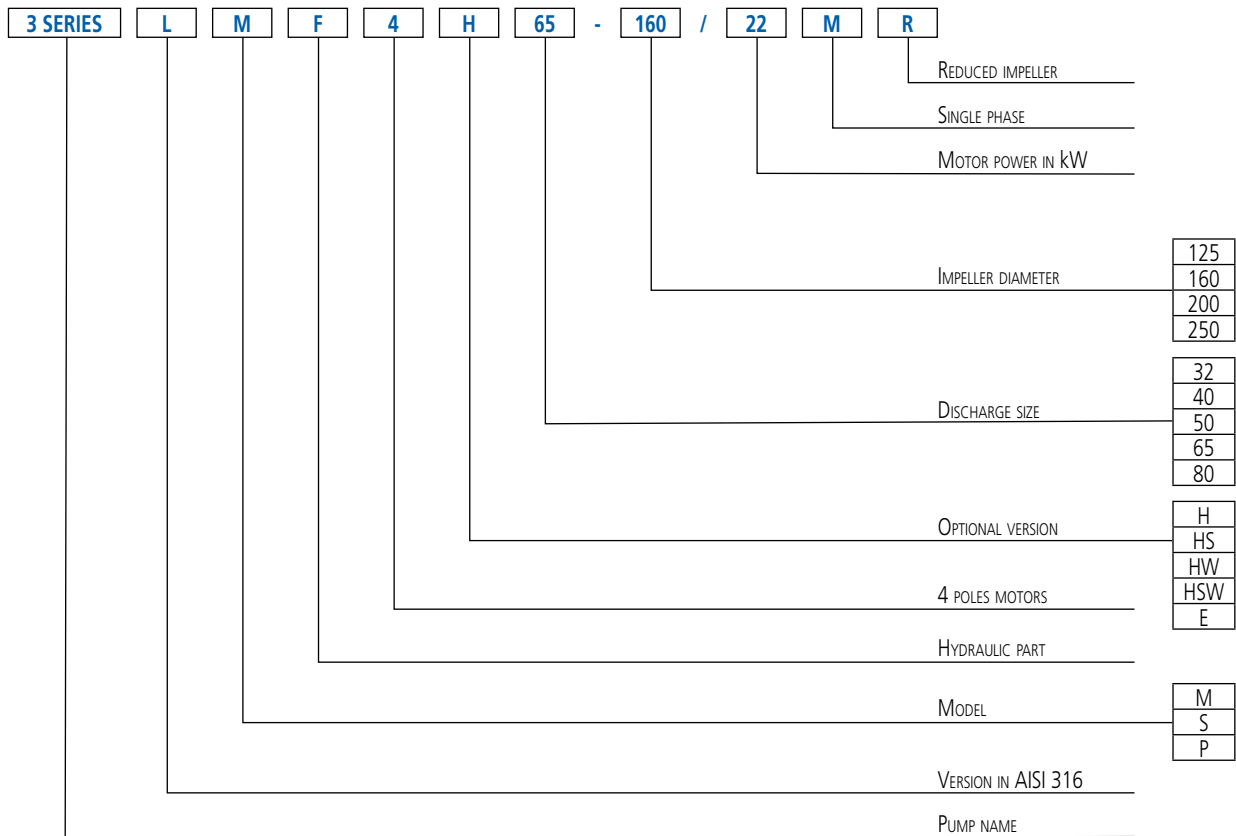
# 3 - 3L SERIES

CENTRIFUGAL ELECTRIC PUMPS STANDARDISED IN COMPLIANCE WITH EN 733 (EX DIN 24255)

## IDENTIFICATION CODE - 2 Poles



## IDENTIFICATION CODE - 4 Poles

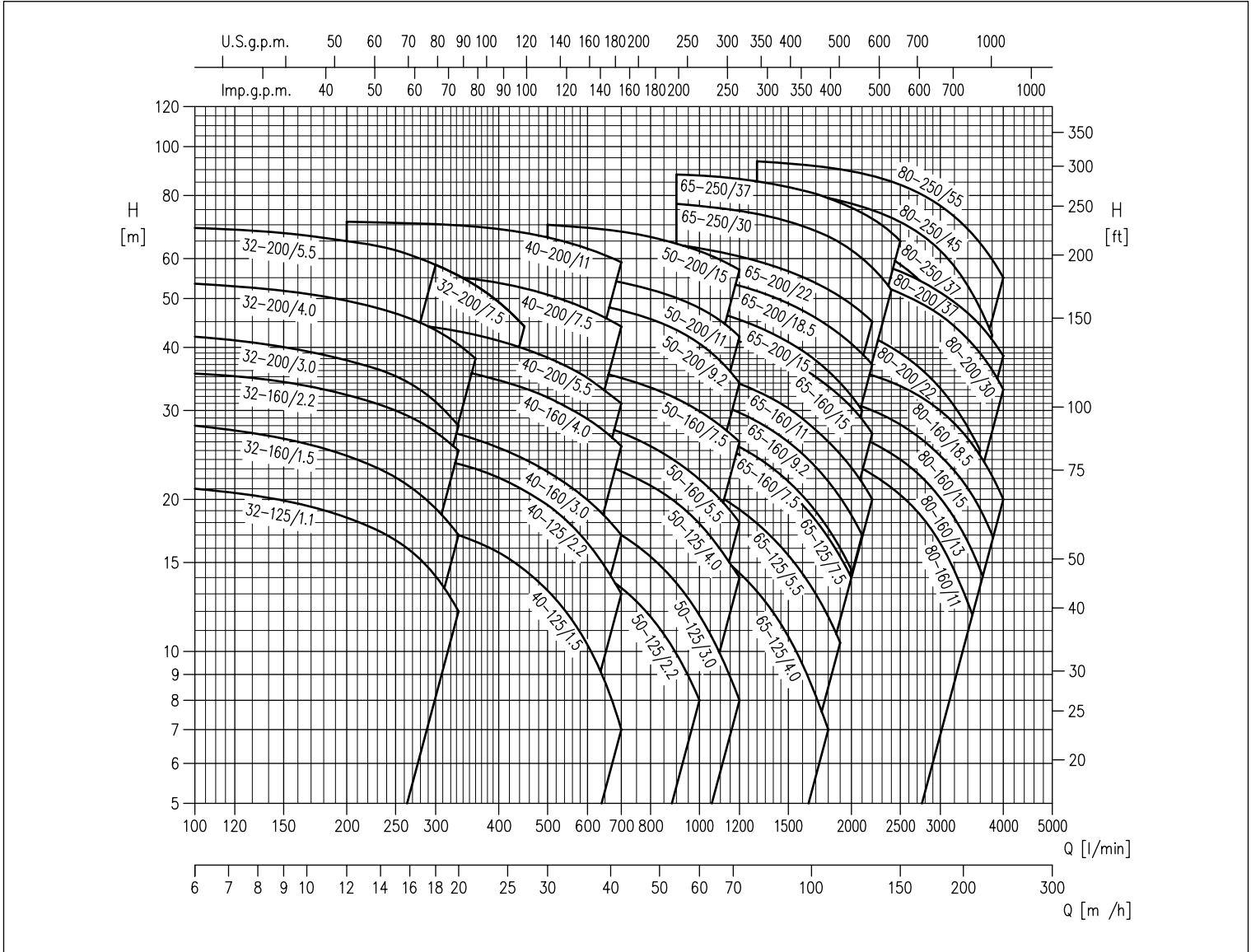


The contents of this publication must not be regarded as binding. EBARA Pumps Europe S.p.A. reserves the right to effect any modification it deems necessary, without prior notice.

# 3 - 3L SERIES

CENTRIFUGAL ELECTRIC PUMPS STANDARDISED IN COMPLIANCE WITH EN 733  
(EX DIN 24255)

PERFORMANCE RANGE 3 SERIES at 2900 min<sup>-1</sup> (according to ISO 9906 Attachment A)



	Versions	3M	3S	3P	3LM	3LS	3LP
Pump	32-125	✓	✓	✓	✓	✓	✓
	32-160	✓	✓	✓	✓	✓	✓
	32-200	✓	✓	✓	✓	✓	✓
	40-125	✓	✓	✓	✓	✓	✓
	40-160	✓	✓	✓	✓	✓	✓
	40-200	✓	✓	✓	✓	✓	✓
	50-125	✓	✓	✓	✓	✓	✓
	50-160	✓	✓	✓	✓	✓	✓
	50-200	✓	✓	✓	✓	✓	✓
	65-125	✓	✓	✓	✓	✓	✓
	65-160	✓	✓	✓	✓	✓	✓
	65-200	✓	✓	✓	✓	✓	✓
	65-250	-	-	-	-	•	•
	80-160	-	-	-	-	•	•
	80-200	-	-	-	-	•	•
80-250	-	-	-	-	•	•	

✓ = Models also available in H-HS-HW-HSW version for 32, 40, 50, 65-125/160/200  
• = Models also available in H-HW-HSW-E version for 65-250, 80 and in ES version for 80-250 Ø35

# 3 - 3L SERIES

## CENTRIFUGAL ELECTRIC PUMPS STANDARDISED IN COMPLIANCE WITH EN 733 (EX DIN 24255)

PERFORMANCE TABLE 32-40-50

2 Poles

Model	P <sub>1</sub>		Q=Flow rate														
	[HP]	[kW]	l/min m <sup>3</sup> /h	100 6	150 9	200 12	300 18	333 20	360 22	400 24	450 27	500 30	600 36	700 42	800 48	1000 60	1200 72
			H=Head [m]														
SERIE 3(.) 32-125/1.1(M)	1,5	1,1	21,0	19,9	18,4	14,1	12,0	-	-	-	-	-	-	-	-	-	-
SERIE 3(.) 32-160/1.5(M)	2	1,5	28,0	26,5	24,5	19,2	17,0	-	-	-	-	-	-	-	-	-	-
SERIE 3(.) 32-160/2.2(M)	3	2,2	35,5	34,0	32,0	27,0	25,0	-	-	-	-	-	-	-	-	-	-
SERIE 3(.) 32-200/3.0	4	3	42,0	40,0	37,5	31,0	28,0	-	-	-	-	-	-	-	-	-	-
SERIE 3(.) 32-200/4.0	5,5	4	53,5	52,0	49,5	43,5	40,5	38,0	-	-	-	-	-	-	-	-	-
SERIE 3(.) 32-200/5.5	7,5	5,5	69,0	67,5	65,0	58,5	-	-	-	-	-	-	-	-	-	-	-
SERIE 3(.) 32-200/7.5	10	7,5	69,0	67,5	65,0	58,5	55,5	53,0	49,0	44,0	-	-	-	-	-	-	-
SERIE 3(.) 40-125/1.5(M)	2	1,5	-	-	19,0	17,6	17,0	16,5	15,7	14,5	13,2	10,3	7,0	-	-	-	-
SERIE 3(.) 40-125/2.2(M)	3	2,2	-	-	25,5	24,0	23,5	23,0	22,0	21,0	19,5	16,4	13,0	-	-	-	-
SERIE 3(.) 40-160/3.0	4	3	-	-	29,5	27,5	27,0	26,5	25,5	24,0	22,5	20,0	17,0	-	-	-	-
SERIE 3(.) 40-160/4.0	5,5	4	-	-	38,5	37,0	36,0	35,5	34,5	33,0	32,0	29,0	25,5	-	-	-	-
SERIE 3(.) 40-200/5.5	7,5	5,5	-	-	45,5	44,0	43,0	42,5	41,0	39,5	38,0	35,0	31,0	-	-	-	-
SERIE 3(.) 40-200/7.5	10	7,5	-	-	57,0	55,5	55,0	54,5	53,5	52,5	51,0	47,5	44,0	-	-	-	-
SERIE 3(.) 40-200/11	15	11	-	-	71,0	70,0	70,0	69,5	68,5	67,5	66,0	63,0	59,0	-	-	-	-
SERIE 3(.) 50-125/2.2(M)	3	2,2	-	-	-	-	-	-	17,5	17,0	16,3	14,9	13,4	11,7	8,0	-	-
SERIE 3(.) 50-125/3.0	4	3	-	-	-	-	-	-	20,5	20,0	19,6	18,4	17,0	15,4	11,8	8,0	-
SERIE 3(.) 50-125/4.0	5,5	4	-	-	-	-	-	-	26,0	25,5	25,0	24,0	22,5	21,5	17,9	14,0	-
SERIE 3(.) 50-160/5.5	7,5	5,5	-	-	-	-	-	-	31,0	30,5	30,0	28,5	27,0	25,5	22,0	18,0	-
SERIE 3(.) 50-160/7.5	10	7,5	-	-	-	-	-	-	38,5	38,0	37,5	36,0	35,0	33,5	30,0	26,0	-
SERIE 3(.) 50-200/9.2	12,5	9,2	-	-	-	-	-	-	-	-	50,0	49,0	47,5	45,5	40,5	34,0	-
SERIE 3(.) 50-200/11	15	11	-	-	-	-	-	-	-	-	56,0	55,0	54,0	52,0	48,0	42,0	-
SERIE 3(.) 50-200/15	20	15	-	-	-	-	-	-	-	-	70,0	69,0	68,0	66,0	62,0	57,0	-

(M) Single phase version only for 3M SERIES

PERFORMANCE TABLE 65-80

2 Poles

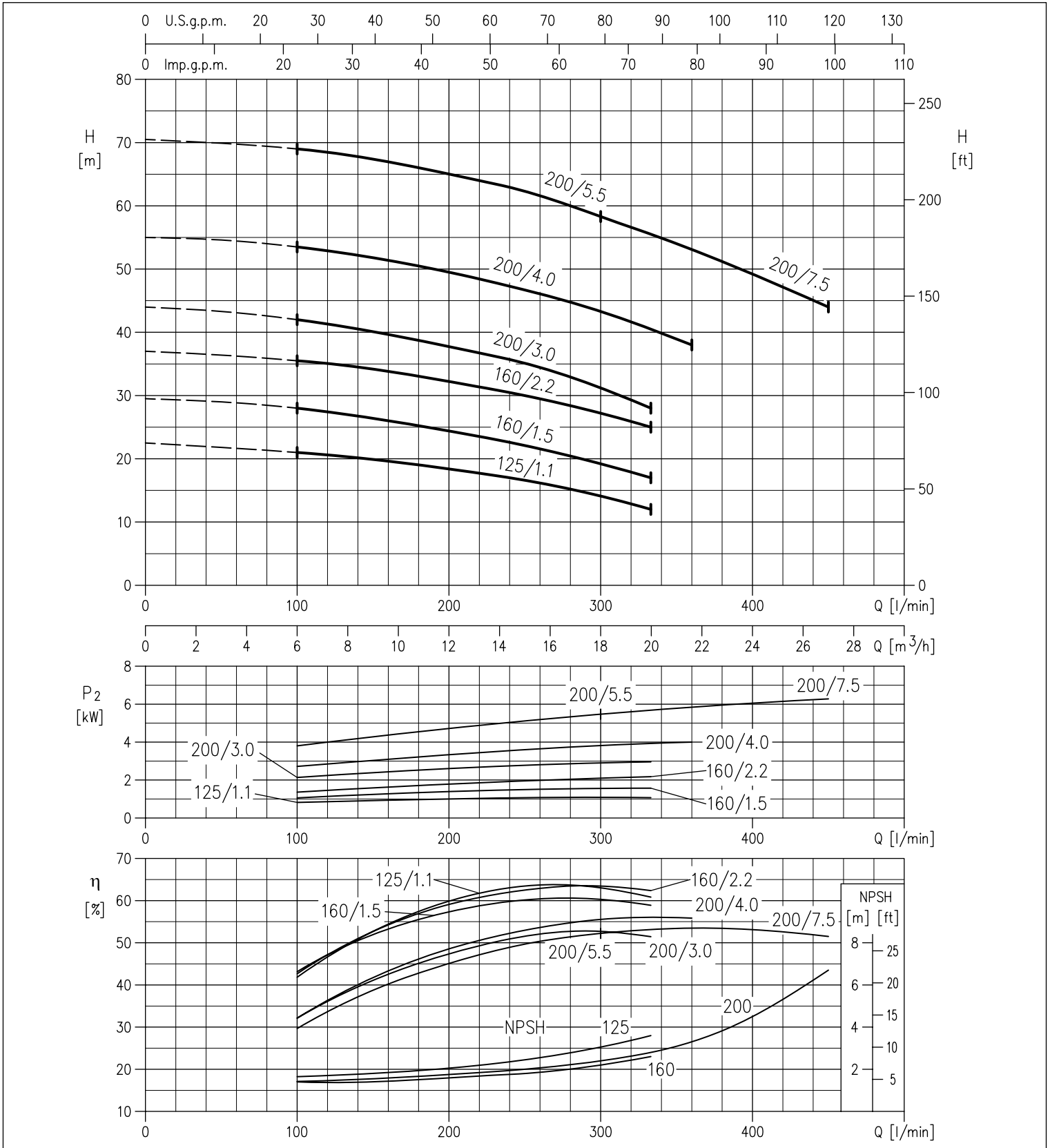
Model	P <sub>1</sub>		Q=Flow rate																	
	[HP]	[kW]	l/min m <sup>3</sup> /h	600 36	700 42	900 54	1300 78	1500 90	1700 102	1900 114	2100 126	2200 132	2300 138	2400 144	2500 150	3000 180	3400 204	3600 216	3800 228	4000 240
			H=Head [m]																	
SERIE 3(.) 65-125/4.0	5,5	4	19,8	19,0	17,3	13,3	11,0	8,6	6,3	-	-	-	-	-	-	-	-	-	-	-
SERIE 3(.) 65-125/5.5	7,5	5,5	-	24,0	22,2	18,0	15,7	13,3	10,8	8,0	-	-	-	-	-	-	-	-	-	-
SERIE 3(.) 65-125/7.5	10	7,5	-	29,5	27,8	23,5	21,1	18,7	16,1	13,4	12,0	-	-	-	-	-	-	-	-	-
SERIE 3(.) 65-160/7.5	10	7,5	-	30,0	28,6	24,8	22,5	19,9	17,1	14,2	-	-	-	-	-	-	-	-	-	-
SERIE 3(.) 65-160/9.2	12,5	9,2	-	34,5	32,8	28,8	26,5	23,9	21,1	18,3	16,8	-	-	-	-	-	-	-	-	-
SERIE 3(.) 65-160/11	15	11	-	38,5	37,1	33,1	30,9	28,4	25,8	23,0	21,5	20,0	-	-	-	-	-	-	-	-
SERIE 3(.) 65-160/15	20	15	-	45,5	44,0	40,0	37,8	35,3	32,6	29,6	28,0	26,5	-	-	-	-	-	-	-	-
SERIE 3(.) 65-200/15	20	15	-	51,0	49,0	44,0	41,5	38,4	35,3	31,8	30,0	-	-	-	-	-	-	-	-	-
SERIE 3(.) 65-200/18.5	25	18,5	-	58,5	56,5	51,5	49,0	46,0	43,0	39,7	38,0	36,3	-	-	-	-	-	-	-	-
SERIE 3(.) 65-200/22	30	22	-	65,5	64,0	59,5	57,0	54,0	51,0	48,0	46,5	45,0	-	-	-	-	-	-	-	-
SERIE 3(.) 65-250/30	40	30	-	-	77,0	73,5	71,0	68,0	64,5	60,0	57,5	55,0	52,0	-	-	-	-	-	-	-
SERIE 3(.) 65-250/37	50	37	-	-	88,0	85,5	83,0	80,5	77,5	74,0	72,0	70,0	67,5	65,0	-	-	-	-	-	-
SERIE 3(.) 80-160/11	15	11	-	-	-	27,3	26,4	25,4	24,2	23,0	22,4	21,8	21,1	20,4	16,4	12,5	-	-	-	-
SERIE 3(.) 80-160/15R	20	15	-	-	-	30,5	29,7	28,8	27,7	26,5	25,9	25,3	24,6	24,0	20,1	16,5	14,5	-	-	-
SERIE 3(.) 80-160/15	20	15	-	-	-	34,0	33,3	32,5	31,5	30,5	30,0	29,4	28,8	28,1	24,4	21,0	19,1	17,0	-	-
SERIE 3(.) 80-160/18.5	25	18,5	-	-	-	39,0	38,4	37,6	36,7	35,7	35,2	34,7	34,1	33,5	30,0	26,4	24,4	22,3	20,0	-
SERIE 3(.) 80-200/22	30	22	-	-	-	48,0	47,0	45,5	44,5	43,0	42,0	41,0	40,0	39,0	33,2	27,8	25,0	-	-	-
SERIE 3(.) 80-200/30	40	30	-	-	-	58,5	58,0	57,0	56,0	54,5	54,0	53,0	52,0	51,0	46,5	41,5	39,0	36,1	33,0	-
SERIE 3(.) 80-200/37	50	37	-	-	-	64,0	63,0	62,0	61,0	59,5	59,0	58,0	57,5	56,5	51,5	47,0	44,5	41,5	38,5	-
SERIE 3(.) 80-250/37	50	37	-	-	-	71,5	70,5	68,5	66,5	64,0	63,0	61,5	60,0	58,5	48,5	38,0	-	-	-	-
SERIE 3(.) 80-250/45	60	45	-	-	-	82,5	81,5	80,0	78,0	76,0	75,0	73,5	72,5	71,0	62,0	53,0	48,0	42,5	-	-
SERIE 3(.) 80-250/55	75	55	-	-	-	93,5	92,5	91,5	90,0	88,5	87,5	86,5	85,5	84,0	76,5	68,5	64,5	60,0	55,0	-

# 3 - 3L SERIES

**CENTRIFUGAL ELECTRIC PUMPS STANDARDISED IN COMPLIANCE WITH EN 733 (EX DIN 24255)**

PERFORMANCE CURVES 3(L)M-3(L)S-3(L)P 32 SERIES at 2900 min<sup>-1</sup> (according to ISO 9906 Attachment A)

2 Poles



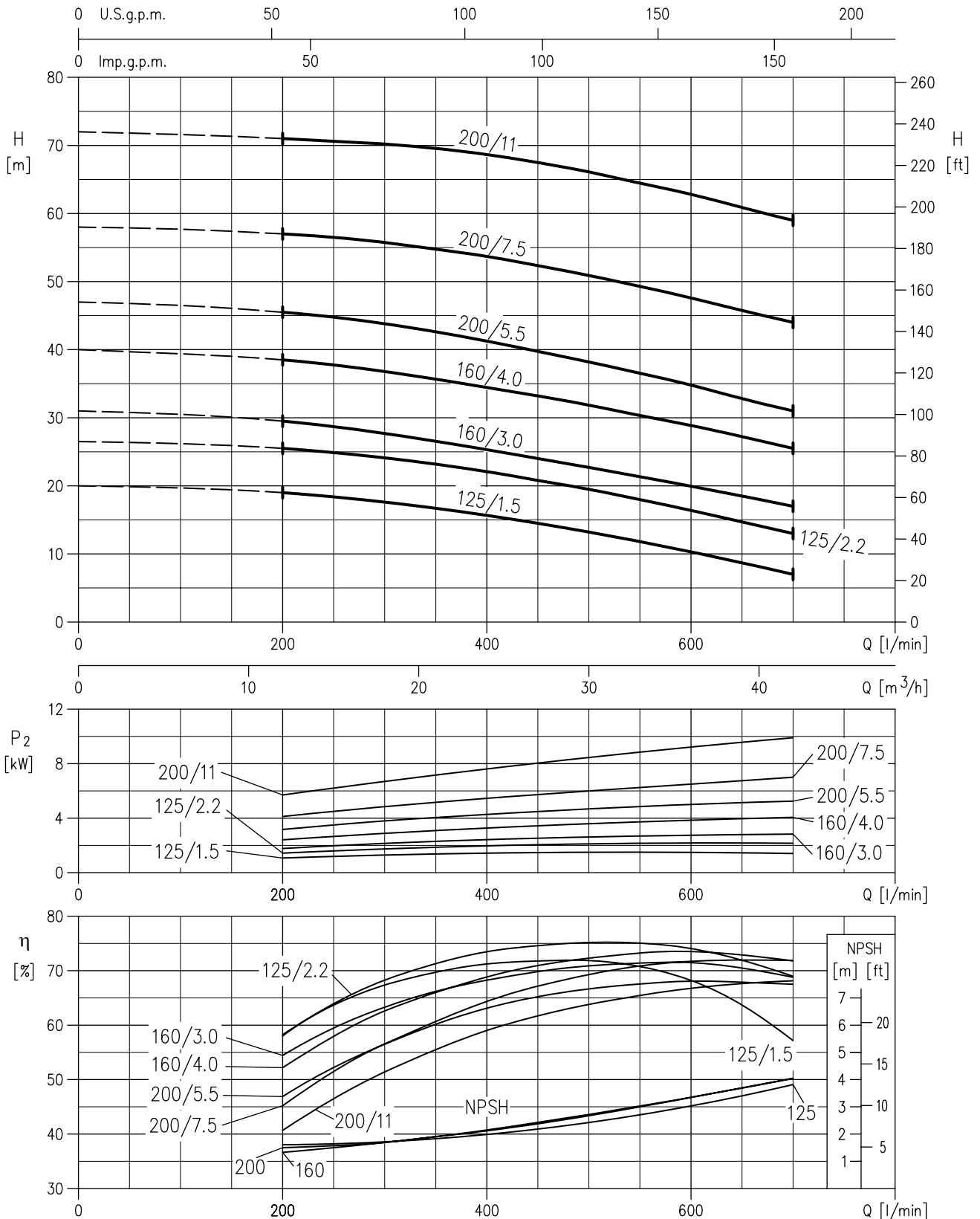


# 3 - 3L SERIES

CENTRIFUGAL ELECTRIC PUMPS STANDARDISED IN COMPLIANCE WITH EN 733 (EX DIN 24255)

PERFORMANCE CURVES 3(L)M-3(L)S-3(L)P 40 SERIES at 2900 min<sup>-1</sup> (according to ISO 9906 Attachment A)

2 Poles



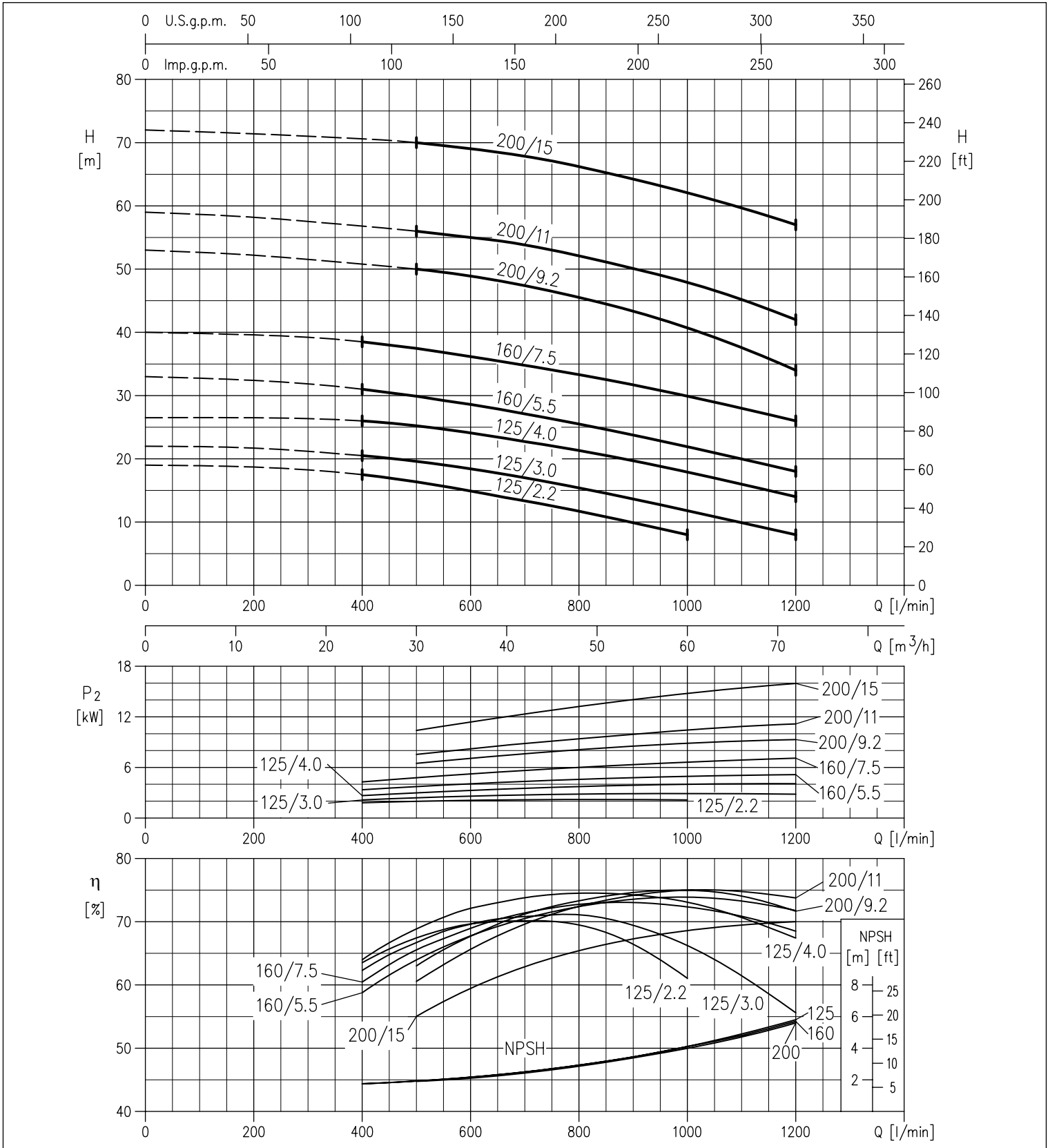
The contents of this publication must not be regarded as binding. EBARA Pumps Europe S.p.A. reserves the right to effect any modification it deems necessary, without prior notice.

# 3 - 3L SERIES

**CENTRIFUGAL ELECTRIC PUMPS STANDARDISED IN COMPLIANCE WITH EN 733 (EX DIN 24255)**

PERFORMANCE CURVES 3(L)M-3(L)S-3(L)P 50 SERIES at 2900 min<sup>-1</sup> (according to ISO 9906 Attachment A)

2 Poles

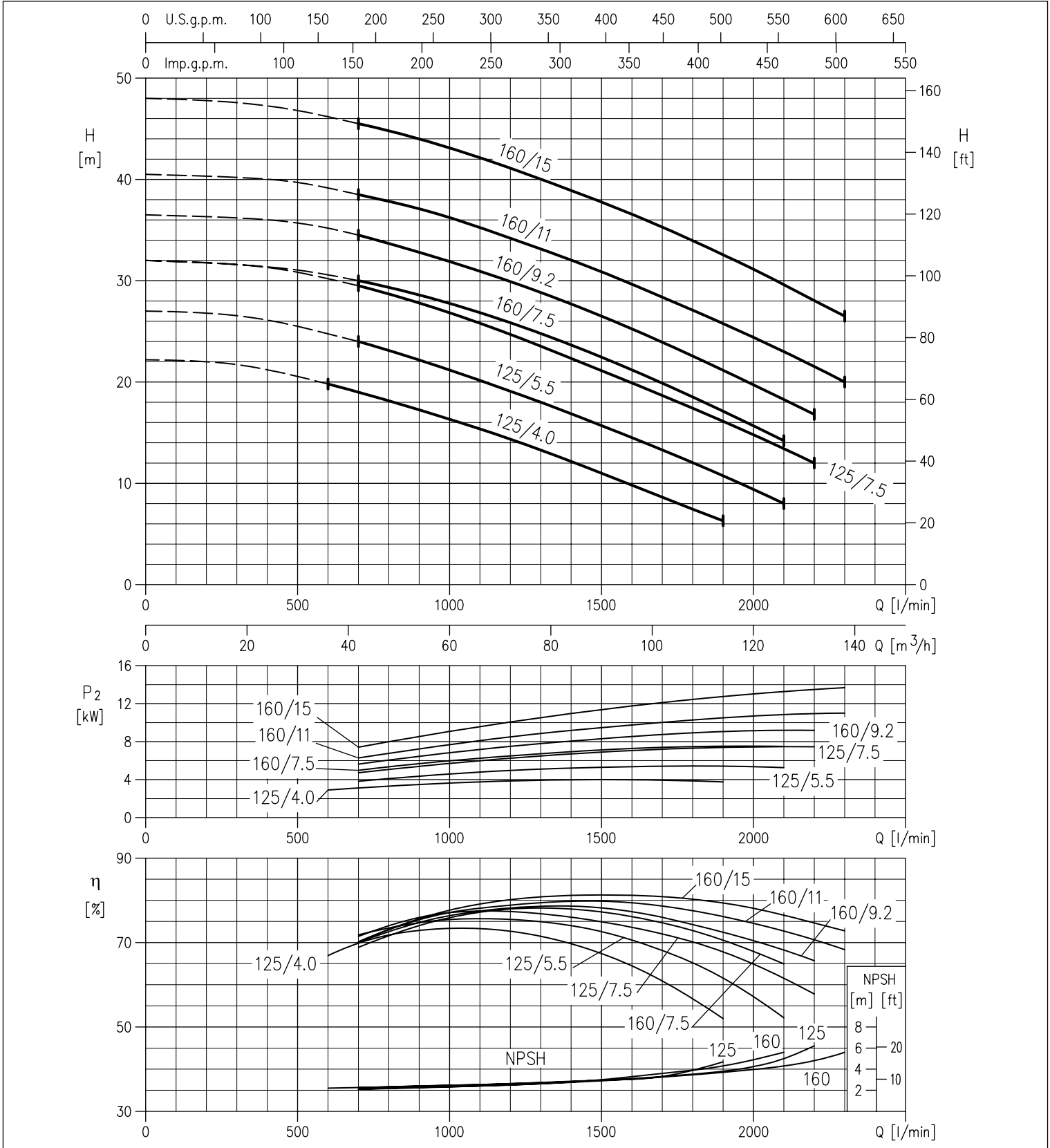


# 3 - 3L SERIES

CENTRIFUGAL ELECTRIC PUMPS STANDARDISED IN COMPLIANCE WITH EN 733 (EX DIN 24255)

PERFORMANCE CURVES 3(L)M-3(L)S-3(L)P 65 SERIES at 2900 min<sup>-1</sup> (according to ISO 9906 Attachment A)

2 Poles



The contents of this publication must not be regarded as binding. EBARA Pumps Europe S.p.A. reserves the right to effect any modification it deems necessary, without prior notice.

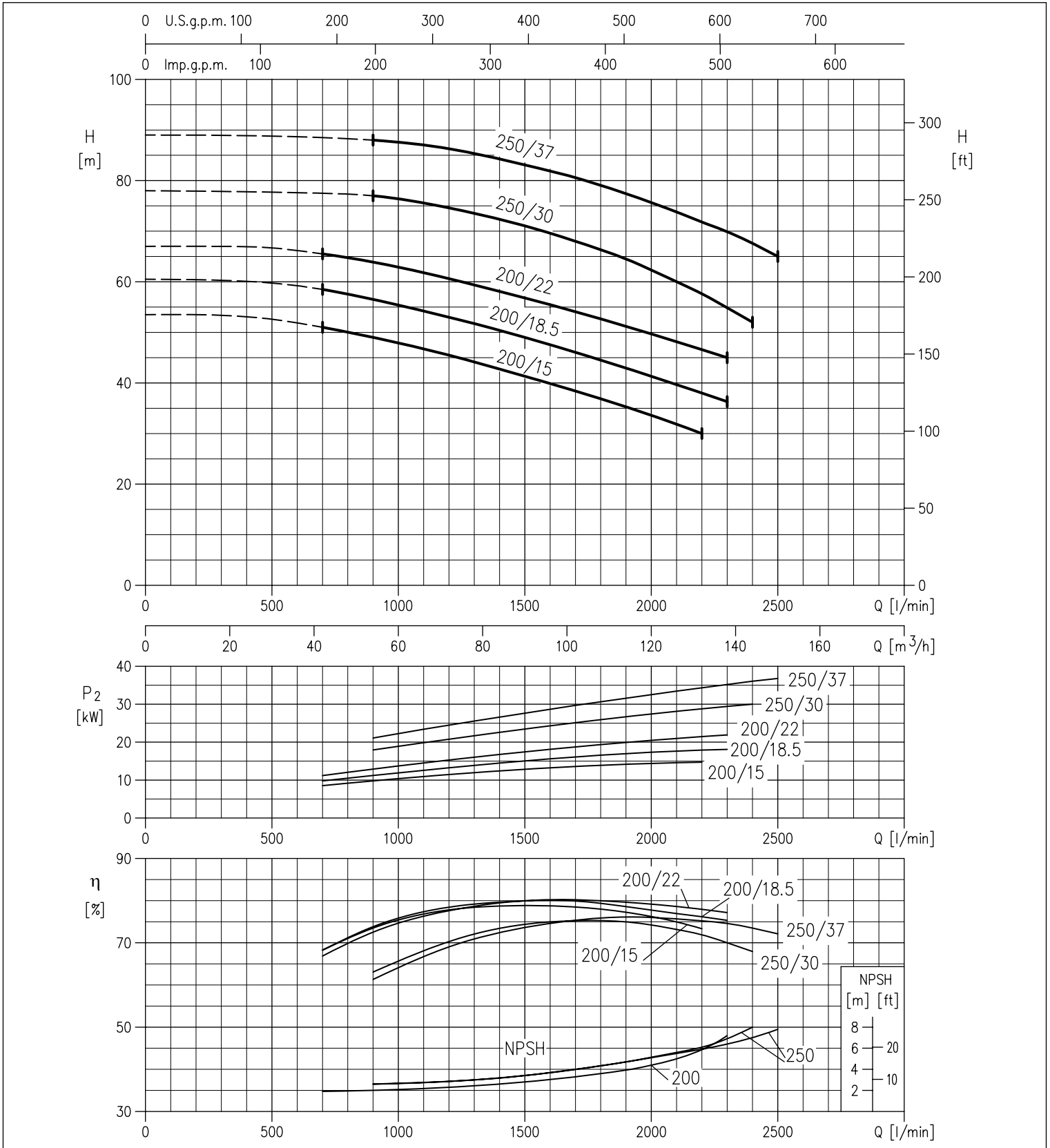


# 3 - 3L SERIES

CENTRIFUGAL ELECTRIC PUMPS STANDARDISED IN COMPLIANCE WITH EN 733 (EX DIN 24255)

PERFORMANCE CURVES 3L 65 SERIES at 2900 min<sup>-1</sup> (according to ISO 9906 Attachment A)

2 Poles



The contents of this publication must not be regarded as binding. EBARA Pumps Europe S.p.A. reserves the right to effect any modification it deems necessary, without prior notice.

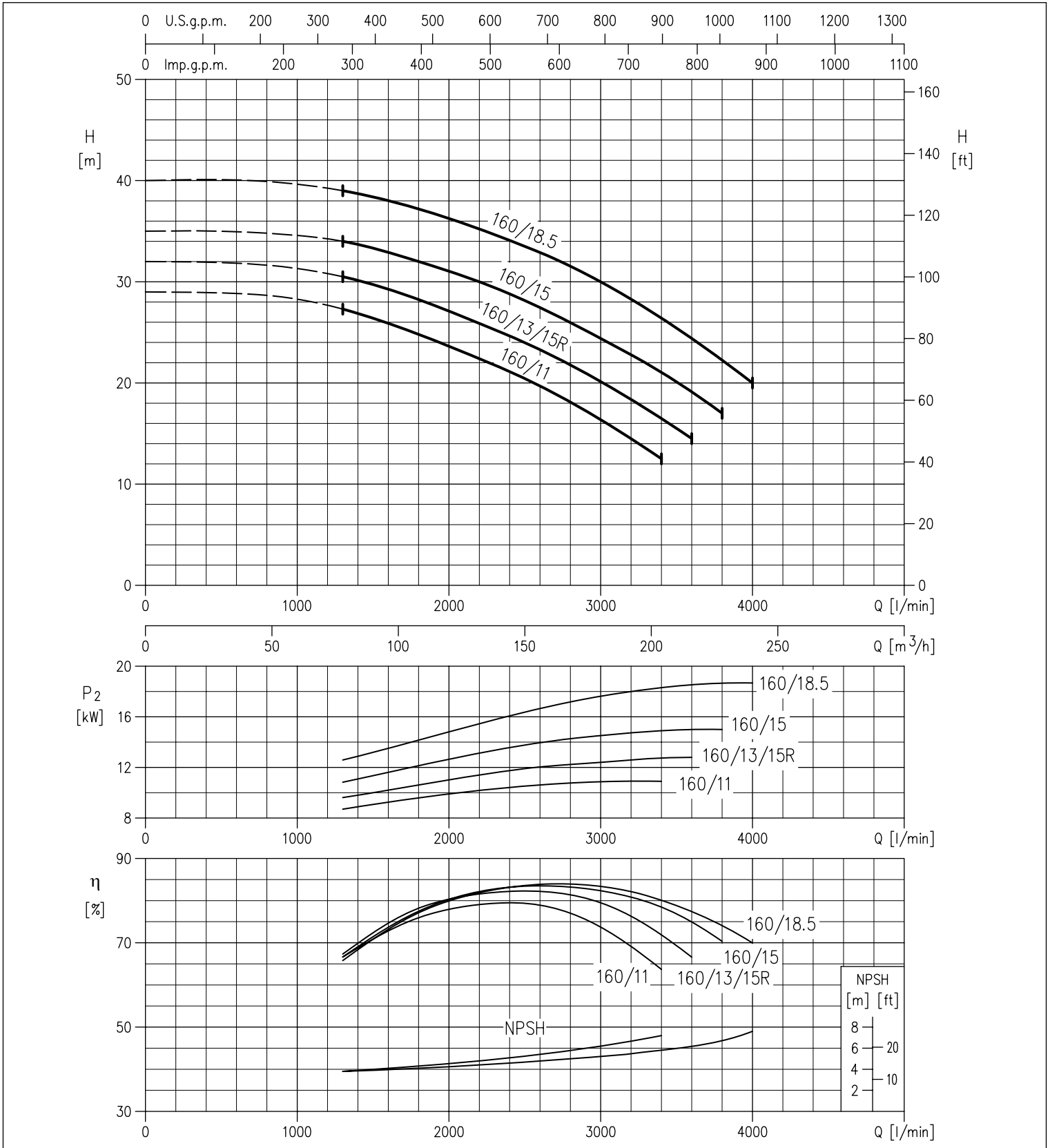


# 3 - 3L SERIES

CENTRIFUGAL ELECTRIC PUMPS STANDARDISED IN COMPLIANCE WITH EN 733 (EX DIN 24255)

PERFORMANCE CURVES 3L 80 SERIES at 2900 min<sup>-1</sup> (according to ISO 9906 Attachment A)

2 Poles



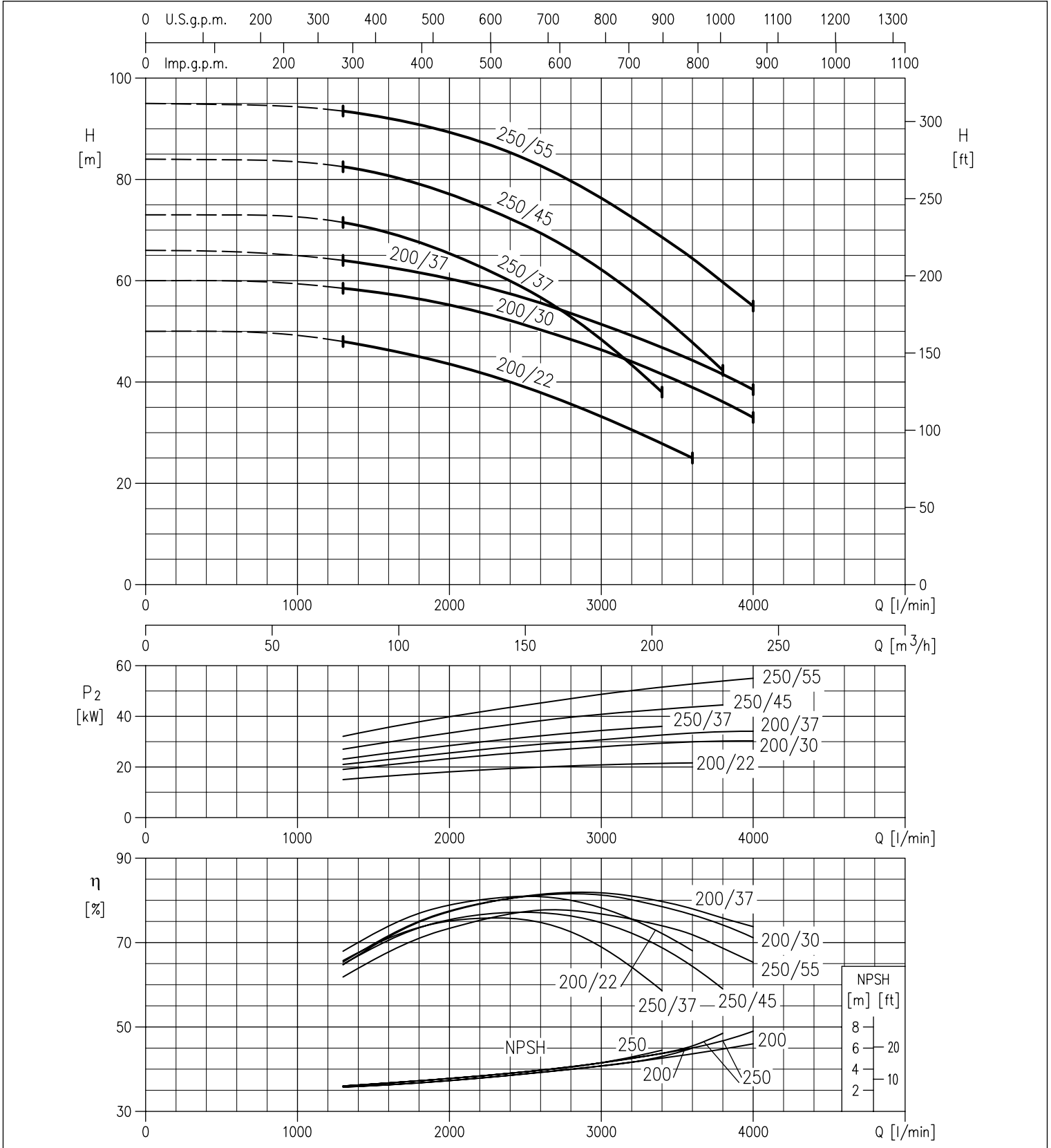
The contents of this publication must not be regarded as binding. EBARA Pumps Europe S.p.A. reserves the right to effect any modification it deems necessary, without prior notice.

# 3 - 3L SERIES

CENTRIFUGAL ELECTRIC PUMPS STANDARDISED IN COMPLIANCE WITH EN 733 (EX DIN 24255)

PERFORMANCE CURVES 3L 80 SERIES at 2900 min<sup>-1</sup> (according to ISO 9906 Attachment A)

2 Poles

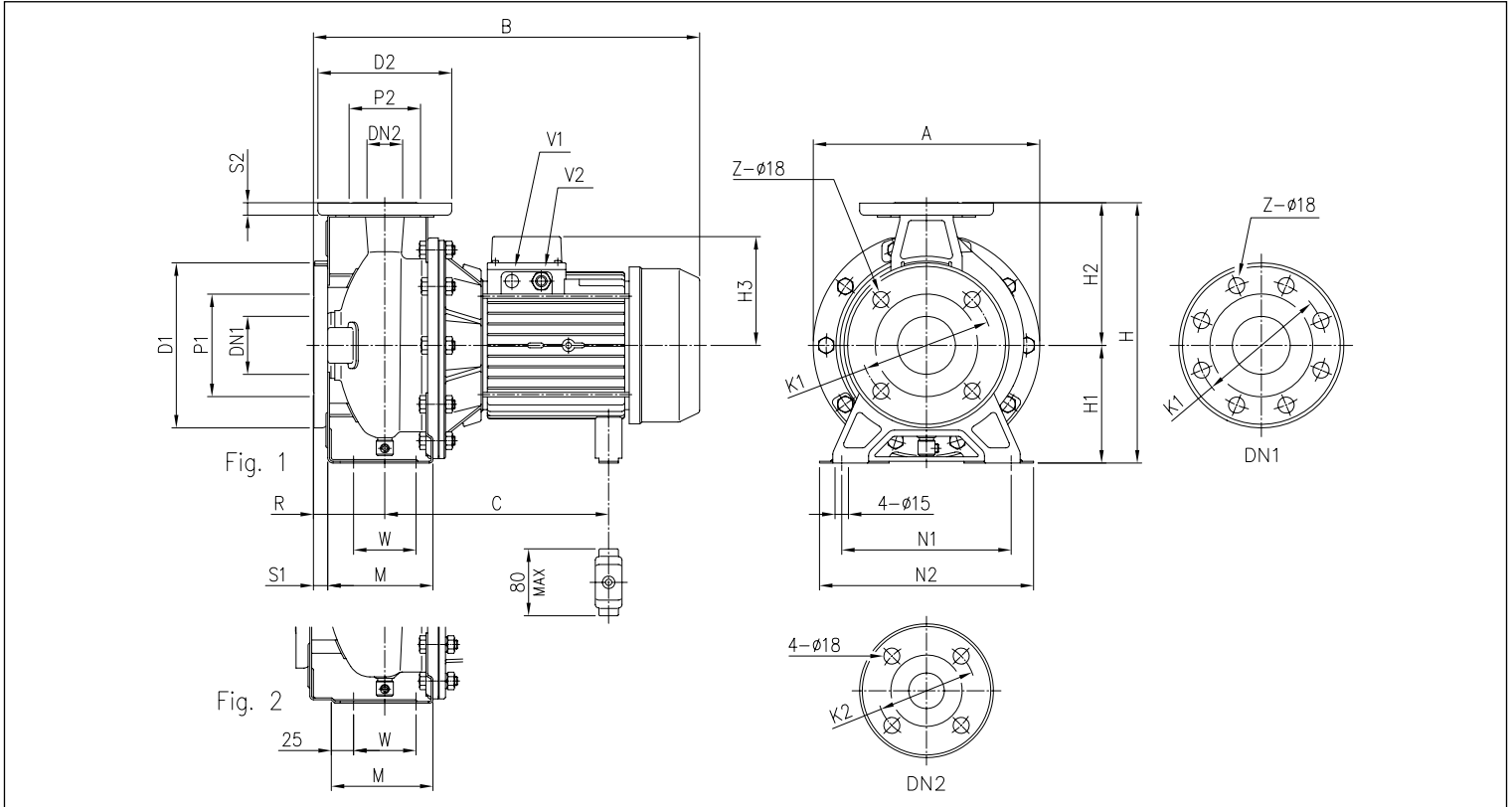


# 3 - 3L SERIES

CENTRIFUGAL ELECTRIC PUMPS STANDARDISED IN COMPLIANCE WITH EN 733 (EX DIN 24255)

3(L)M 32, 40, 50, 65 - up to 11 kW

2 Poles



## DIMENSIONAL TABLE

Model	Dimensions [mm]																			Weight [kg]															
	DN1 Ø	P1 Ø	K1 Ø	D1 Ø	S1	Z [1][2]	DN2 Ø	P2 Ø	K2 Ø	D2 Ø	S2	Fig.	H	H1	H2	H3 [3][4]	R	W	M	N1	N2	A	B [4][3][3*]	C [4][3]	V1 [3]	V2 [3][4]	[4]	[3]	[*]						
32-125/1.1 (M)	50	95	125	165	16	4	-	32	75	100	140	14	1	252	112	140	124	141	80	70	114	140	190	213	408	407	-	219±230	219±230	-	PG 13.5	M20x1.5	19.6	24.1	-
32-160/1.5 (M)	50	95	125	165	16	4	-	32	75	100	140	14	1	292	132	160	124	141	80	70	118	190	240	254	408	407	-	219±230	219±230	-	PG 13.5	M20x1.5	22.5	27	-
32-160/2.2 (M)	50	95	125	165	16	4	-	32	75	100	140	14	1	292	132	160	124	141	80	70	118	190	240	254	408	432	-	219±230	244±255	-	PG 13.5	M20x1.5	27.7	28	-
32-200/3.0	50	95	125	165	16	4	-	32	75	100	140	14	1	340	160	180	124	-	80	70	119	190	240	296	-	471	-	-	244±255	-	PG 13.5	-	-	35.1	-
32-200/4.0	50	95	125	165	16	4	-	32	75	100	140	14	1	340	160	180	141	-	80	70	119	190	240	296	-	494	-	-	253	-	PG 16	-	-	38.2	-
32-200/5.5	50	95	125	165	16	4	-	32	75	100	140	14	1	340	160	180	150	-	80	70	119	190	240	296	-	519	-	-	275	PG 13.5	PG 16	-	-	52.2	-
32-200/7.5	50	95	125	165	16	4	-	32	75	100	140	14	1	340	160	180	150	-	80	70	119	190	240	296	-	519	539	-	275	PG 13.5	PG 16	-	-	60.1	-
40-125/1.5 (M)	65	115	145	185	16	4	-	40	80	110	150	14	1	252	112	140	124	141	80	70	114	160	210	213	408	407	-	219±230	219±230	-	PG 13.5	M20x1.5	20.1	24.6	-
40-125/2.2 (M)	65	115	145	185	16	4	-	40	80	110	150	14	1	252	112	140	124	141	80	70	114	160	210	213	408	432	-	219±230	244±255	-	PG 13.5	M20x1.5	25.8	26.1	-
40-160/3.0	65	115	145	185	16	4	-	40	80	110	150	14	1	292	132	160	124	-	80	70	118	190	240	254	-	471	-	-	244±255	-	PG 13.5	-	-	26.6	-
40-160/4.0	65	115	145	185	16	4	-	40	80	110	150	14	1	292	132	160	141	-	80	70	118	190	240	254	-	494	-	-	253	-	PG 16	-	-	40.8	-
40-200/5.5	65	115	145	185	16	4	-	40	80	110	150	14	2	340	160	180	150	-	100	70	115	212	265	296	-	539	-	-	275	PG 13.5	PG 16	-	-	52.5	-
40-200/7.5	65	115	145	185	16	4	-	40	80	110	150	14	2	340	160	180	150	-	100	70	115	212	265	296	-	539	559	-	275	PG 13.5	PG 16	-	-	59.3	-
40-200/11	65	115	145	185	16	4	-	40	80	110	150	14	2	340	160	180	178	-	100	70	115	212	265	296	-	595	595	-	359	PG 13.5	PG 21	-	-	69.6	-
50-125/2.2 (M)	65	115	145	185	16	4	-	50	95	125	165	16	2	292	132	160	124	141	100	70	114	190	240	254	428	452	-	219±230	244±255	-	PG 13.5	M20x1.5	29.4	32	-
50-125/3.0	65	115	145	185	16	4	-	50	95	125	165	16	2	292	132	160	124	-	100	70	114	190	240	254	-	491	-	-	244±255	-	PG 13.5	-	-	30.9	-
50-125/4.0	65	115	145	185	16	4	-	50	95	125	165	16	2	292	132	160	141	-	100	70	114	190	240	254	-	514	-	-	253	-	PG 16	-	-	40.9	-
50-160/5.5	65	115	145	185	16	4	-	50	95	125	165	16	2	340	160	180	150	-	100	70	115	212	265	296	-	539	-	-	275	PG 13.5	PG 16	-	-	46.5	-
50-160/7.5	65	115	145	185	16	4	-	50	95	125	165	16	2	340	160	180	150	-	100	70	115	212	265	296	-	539	559	-	275	PG 13.5	PG 16	-	-	58.6	-
50-200/9.2	65	115	145	185	16	4	-	50	95	125	165	16	2	360	160	200	178	-	100	70	115	212	265	296	-	595	595	-	359	PG 13.5	PG 21	-	-	63.9	-
50-200/11	65	115	145	185	16	4	-	50	95	125	165	16	2	360	160	200	178	-	100	70	115	212	265	296	-	595	595	-	359	PG 13.5	PG 21	-	-	69.6	-
65-125/4	80	134	160	200	18	8	4	65	115	145	185	16	2	340	160	180	141	-	100	95	140	212	280	254	-	514	-	-	253	-	PG 16	-	-	37.7	-
65-125/5.5	80	134	160	200	18	8	4	65	115	145	185	16	2	340	160	180	150	-	100	95	140	212	280	254	-	539	-	-	275	PG 13.5	PG 16	-	-	48.7	-
65-125/7.5	80	134	160	200	18	8	4	65	115	145	185	16	2	340	160	180	150	-	100	95	140	212	280	254	-	539	559	-	275	PG 13.5	PG 16	-	-	52.1	-
65-160/7.5	80	134	160	200	18	8	4	65	115	145	185	16	2	360	160	200	150	-	100	95	140	212	280	296	-	539	559	-	275	PG 13.5	PG 16	-	-	55.3	-
65-160/9.2	80	134	160	200	18	8	4	65	115	145	185	16	2	360	160	200	178	-	100	95	140	212	280	296	-	595	595	-	359	PG 13.5	PG 21	-	-	61	-
65-160/11	80	134	160	200	18	8	4	65	115	145	185	16	2	360	160	200	178	-	100	95	140	212	280	296	-	595	595	-	359	PG 13.5	PG 21	-	-	67.4	-

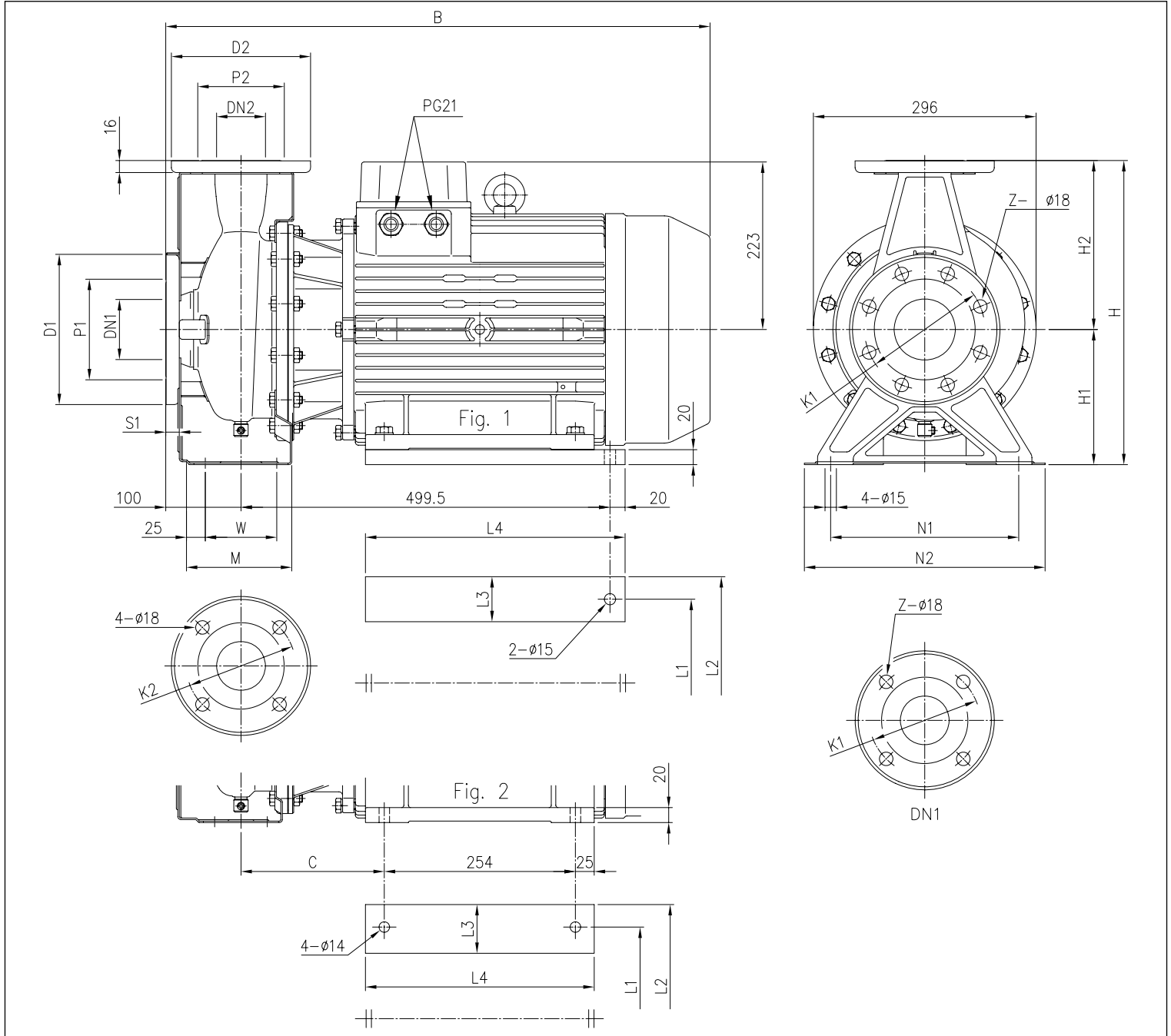
[1] Standard [2] On request [3] Only for three-phase [4] Only for single-phase [\*] Only for IE3 motors

# 3 - 3L SERIES

CENTRIFUGAL ELECTRIC PUMPS STANDARDISED IN COMPLIANCE WITH EN 733  
(EX DIN 24255)

3(L)M 50, 65 - 15 ÷ 22 kW

2 Poles



## DIMENSIONAL TABLE

Model	Dimensions [mm]																								Weight [kg]	
	DN1 Ø	P1 Ø	K1 Ø	D1 Ø	S1	Z [1]	Z [2]	DN2 Ø	P2 Ø	K2 Ø	D2 Ø	Fig.	H	H1	H2	W	M	N1	N2	B	C	L1	L2	L3		L4
50-200/15	65	115	145	185	16	4	-	50	95	125	165	2	360	160	200	70	115	212	265	723	190.5	254	318	65	304	105.1
65-160/15	80	134	160	200	18	8	4	65	115	145	185	2	360	160	200	95	140	212	280	732	199.5	254	318	65	304	107.1
65-200/15	80	134	160	200	18	8	4	65	115	145	185	1	405	180	225	95	140	250	320	732	-	254	314	60	345	110.1
65-200/18.5	80	134	160	200	18	8	4	65	115	145	185	1	405	180	225	95	140	250	320	732	-	254	314	60	345	125.3
65-200/22	80	134	160	200	18	8	4	65	115	145	185	1	405	180	225	95	140	250	320	732	-	254	314	60	345	136.1

[1] Standard  
[2] On request

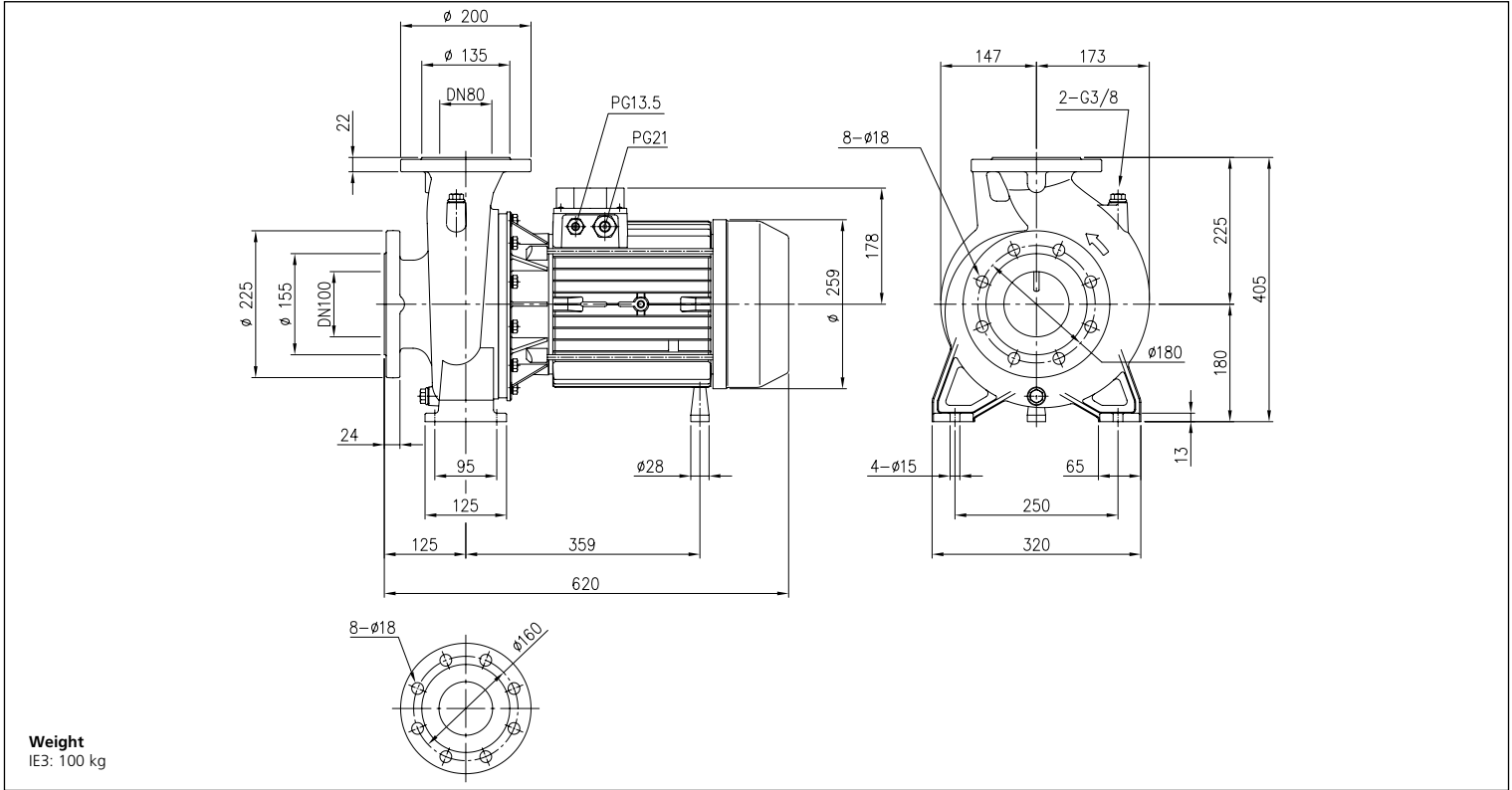
[\*] Only for IE3 motors

# 3 - 3L SERIES

CENTRIFUGAL ELECTRIC PUMPS STANDARDISED IN COMPLIANCE WITH EN 733 (EX DIN 24255)

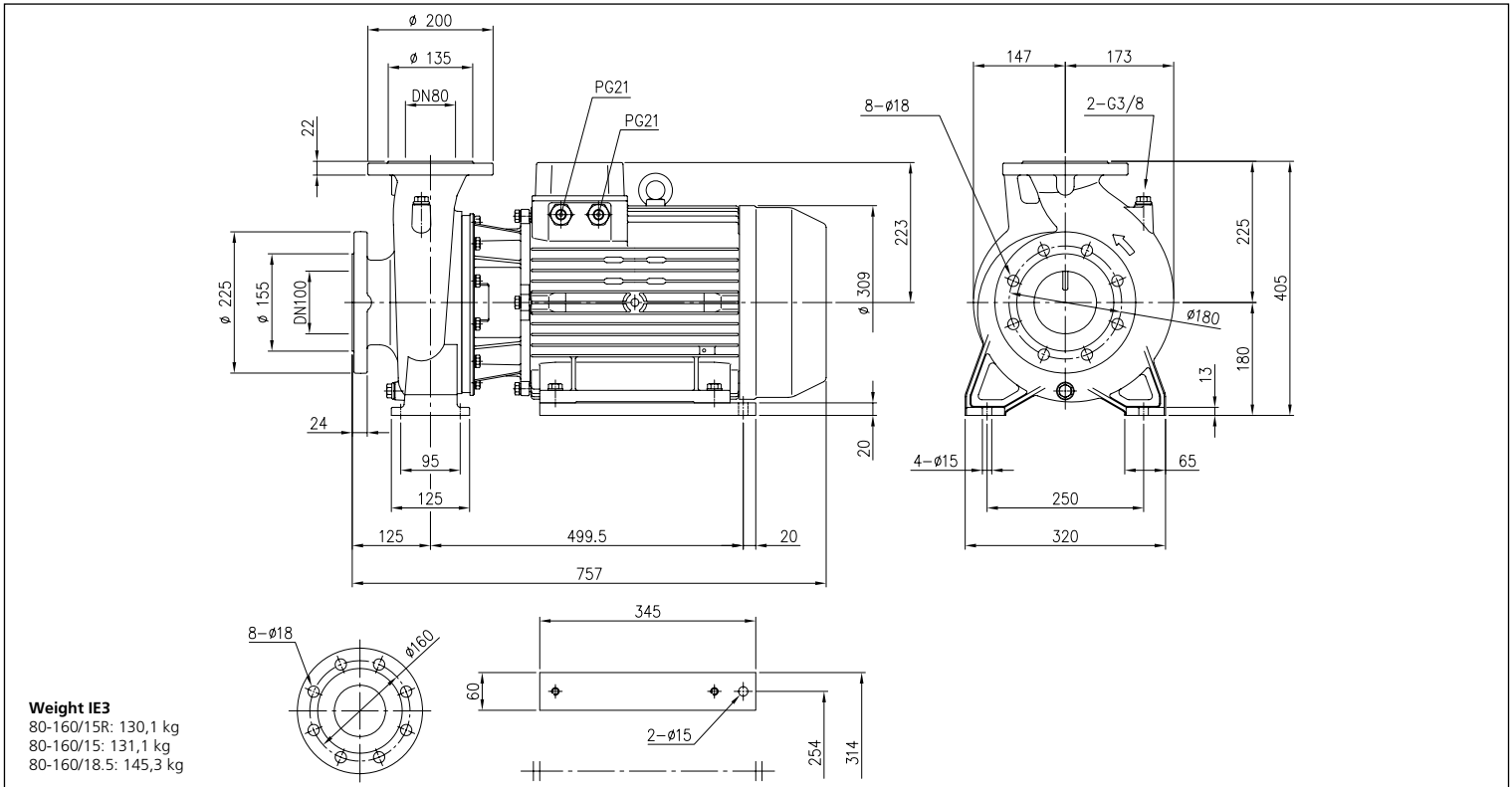
3LM 80-160 - 11 kW

2 Poles



3LM 80-160 / 15R / 15 / 18.5 kW

2 Poles



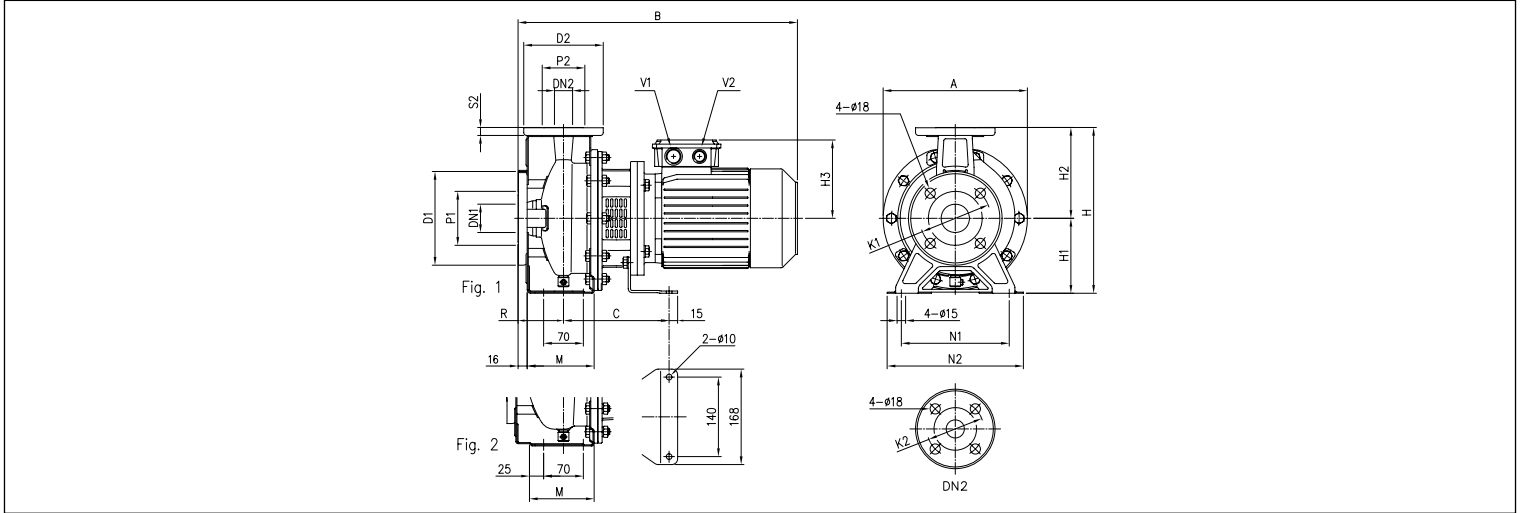
The contents of this publication must not be regarded as binding. EBARA Pumps Europe Sp. A reserves the right to effect any modification it deems necessary without prior notice.

# 3 - 3L SERIES

**CENTRIFUGAL ELECTRIC PUMPS STANDARDISED IN COMPLIANCE WITH EN 733 (EX DIN 24255)**

3(L)S 32, 40, 50 - up to 2,2 kW

2 Poles



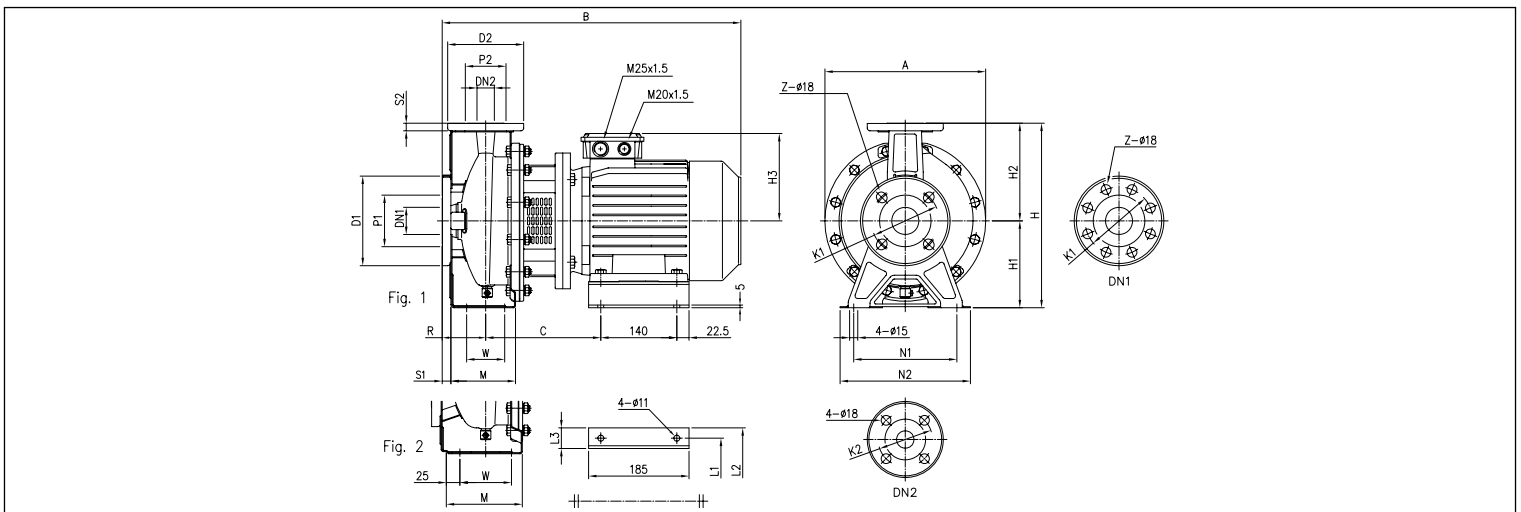
**DIMENSIONAL TABLE**

Model	DN1 Ø	P1 Ø	K1 Ø	D1 Ø	DN2 Ø	P2 Ø	K2 Ø	D2 Ø	S2	Fig.	Dimensions [mm]				R	M	N1	N2	A	B	C	V1	V2	Weight [kg]	
											H	H1	H2	H3										[kg]	[N]
32-125/1.1	50	95	125	165	32	75	100	140	14	1	252	112	140	139	80	114	140	190	213	430	174	M25x1,5	M20x1,5	23,1	24,7
32-160/1.5	50	95	125	165	32	75	100	140	14	1	292	132	160	148	80	118	190	240	254	477	186	M25x1,5	M20x1,5	29,8	29,8
32-160/2.2	50	95	125	165	32	75	100	140	14	1	292	132	160	148	80	118	190	240	254	477	186	M25x1,5	M20x1,5	32,4	32,4
40-125/1.5	65	115	145	185	40	80	110	150	14	1	252	112	140	148	80	114	160	210	213	477	186	M25x1,5	M20x1,5	26,5	26,5
40-125/2.2	65	115	145	185	40	80	110	150	14	1	252	112	140	148	80	114	160	210	213	477	186	M25x1,5	M20x1,5	29,6	29,6
50-125/2.2	65	115	145	185	50	95	125	165	16	2	292	132	160	148	100	114	190	240	254	497	186	M25x1,5	M20x1,5	32,9	32,9

[\*] Only for IE3 motors

3(L)S 32, 65 - 3 ÷ 4 kW

2 Poles



**DIMENSIONAL TABLE**

Model	DN1 Ø	P1 Ø	K1 Ø	D1 Ø	S1	Z			DN2 Ø	P2 Ø	K2 Ø	D2 Ø	S2	Fig.	Dimensions [mm]				R	W	M	N1	N2	A	B	C	L1	L2	L3	Weight [kg]	
						[1]	[2]	[*]							H	H1	H2	H3												[kg]	[N]
32-200/3.0	50	95	125	165	16	4	-	32	75	100	140	14	1	340	160	180	155	80	70	119	190	240	296	528	205	160	202	42	46,9	46,9	
32-200/4.0	50	95	125	165	16	4	-	32	75	100	140	14	1	340	160	180	171	80	70	119	190	240	296	550	212	190	228	38	49,0	49	
65-125/4.0	80	134	160	200	18	8	4	65	115	145	185	16	2	340	160	180	171	100	95	140	212	280	254	570	212	190	228	38	50,1	50,1	

[1] Standard

[2] On request

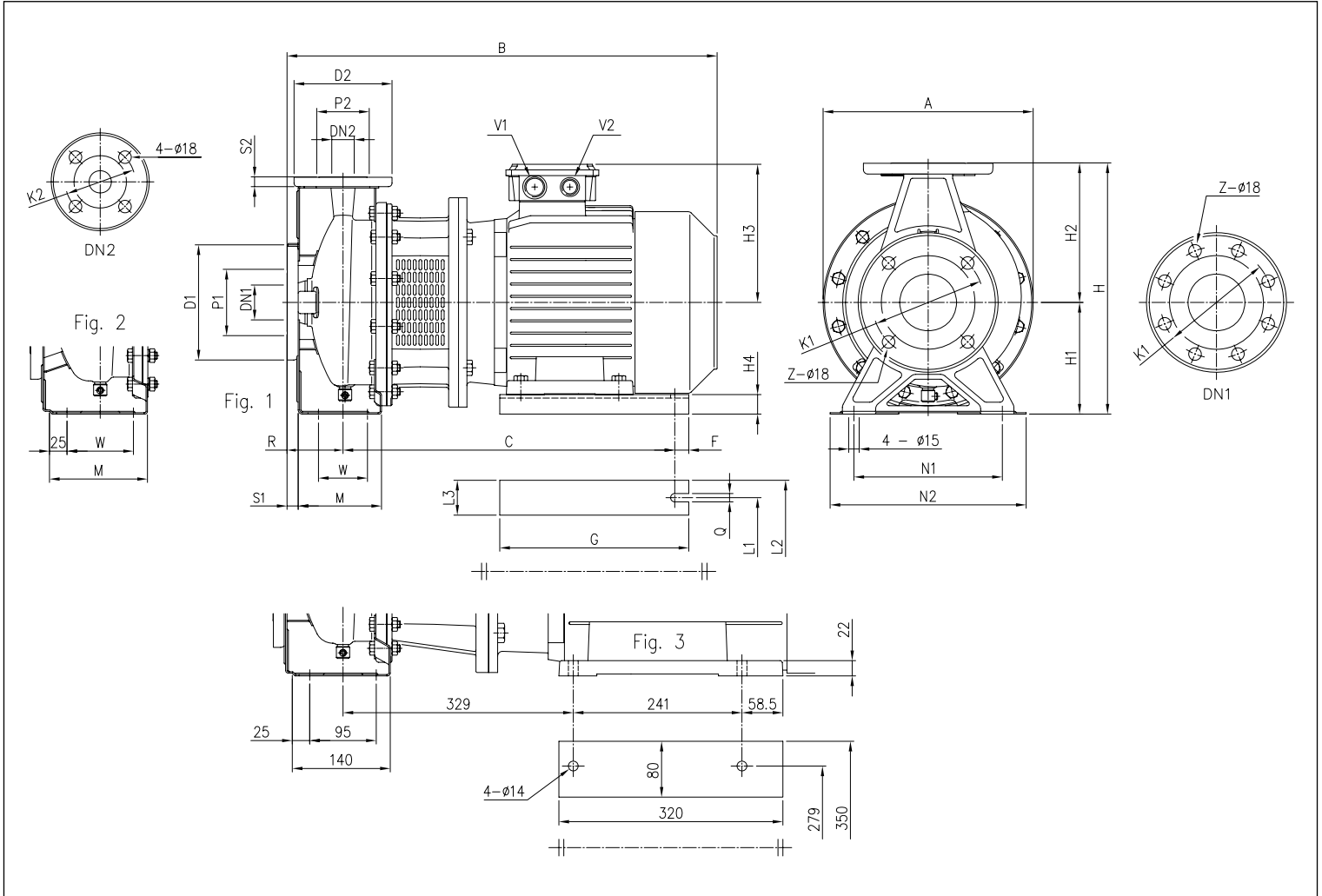
[\*] Only for IE3 motors

# 3 - 3L SERIES

CENTRIFUGAL ELECTRIC PUMPS STANDARDISED IN COMPLIANCE WITH EN 733 (EX DIN 24255)

3(L)S 32, 40, 50, 65 - up to 65-200

2 Poles



## DIMENSIONAL TABLE

Model	Dimensions [mm]																				Weight [kg]																	
	DN1 ø	P1 ø	K1 ø	D1 ø	S1	Z [1] [2]	DN2 ø	P2 ø	K2 ø	D2 ø	S2	Fig.	H	H1	H2	H3	H4	R	W	M	N1	N2	A	B	C	F	G	Q	L1	L2	L3	V1	V2	[*]				
32-200/5.5	50	95	125	165	16	4	-	32	75	100	140	14	1	340	160	180	198	28	80	70	119	190	240	300	607	479	15	270	12	216	266	50	M32x1.5	M32x1.5	71.8	71.8		
32-200/7.5	50	95	125	165	16	4	-	32	75	100	140	14	1	340	160	180	198	28	80	70	119	190	240	300	607	479	15	270	12	216	266	50	M32x1.5	M32x1.5	-	87		
40-160/3.0	65	115	145	185	16	4	-	40	80	110	150	14	1	292	132	160	155	32	80	70	118	190	240	254	528	388	15	220	12	160	200	40	M25x1.5	M20x1.5	42.5	42.5		
40-160/4.0	65	115	145	185	16	4	-	40	80	110	150	14	1	292	132	160	171	20	80	70	118	190	240	254	550	395	15	220	12	190	240	50	M25x1.5	M20x1.5	44.6	44.6		
40-200/5.5	65	115	145	185	16	4	-	40	80	110	150	14	2	340	160	180	198	28	100	70	115	212	265	300	627	479	15	270	12	216	266	50	M32x1.5	M32x1.5	72.2	72.2		
40-200/7.5	65	115	145	185	16	4	-	40	80	110	150	14	2	340	160	180	198	28	100	70	115	212	265	300	627	479	15	270	12	216	266	50	M32x1.5	M32x1.5	-	82		
50-125/3.0	65	115	145	185	16	4	-	50	95	125	165	16	2	292	132	160	155	32	100	70	114	190	240	254	548	388	15	220	12	160	200	40	M25x1.5	M20x1.5	35.5	35.5		
50-125/4.0	65	115	145	185	16	4	-	50	95	125	165	16	2	292	132	160	171	20	100	70	114	190	240	254	570	395	15	220	12	190	240	50	M25x1.5	M20x1.5	45.6	45.6		
50-160/5.5	65	115	145	185	16	4	-	50	95	125	165	16	2	340	160	180	198	28	100	70	115	212	265	300	627	479	15	270	12	216	266	50	M32x1.5	M32x1.5	63.8	63.8		
50-160/7.5	65	115	145	185	16	4	-	50	95	125	165	16	2	340	160	180	198	28	100	70	115	212	265	300	627	479	15	270	12	216	266	50	M32x1.5	M32x1.5	-	91		
50-200/9.2	65	115	145	185	16	4	-	50	95	125	165	16	2	360	160	200	198	28	100	70	115	212	265	300	667	479	15	270	12	216	266	50	M32x1.5	M32x1.5	-	90.7		
65-125/5.5	80	134	160	200	18	8	4	65	115	145	185	16	2	340	160	180	198	28	100	95	140	212	280	300	627	479	15	270	12	216	266	50	M32x1.5	M32x1.5	60	60		
65-125/7.5	80	134	160	200	18	8	4	65	115	145	185	16	2	340	160	180	198	28	100	95	140	212	280	300	627	479	15	270	12	216	266	50	M32x1.5	M32x1.5	-	79.4		
65-160/7.5	80	134	160	200	18	8	4	65	115	145	185	16	2	360	160	200	198	28	100	95	140	212	280	300	627	479	15	270	12	216	266	50	M32x1.5	M32x1.5	-	82.4		
65-160/9.2	80	134	160	200	18	8	4	65	115	145	185	16	2	360	160	200	198	28	100	95	140	212	280	300	667	479	15	270	12	216	266	50	M32x1.5	M32x1.5	-	88		
65-200/15	80	134	160	200	18	8	4	65	115	145	185	16	2	405	180	225	238	20	100	95	140	250	320	350	806	621	20	350	14	254	314	60	M40x1.5	M40x1.5	-	138		
65-200/18.5	80	134	160	200	18	8	4	65	115	145	185	16	2	405	180	225	238	20	100	95	140	250	320	350	850	621	20	350	14	254	314	60	M40x1.5	M40x1.5	-	137.2		
65-200/22	80	134	160	200	18	8	4	65	115	145	185	16	3	405	180	225	268	-	100	-	-	250	320	350	885	-	-	-	-	-	-	-	-	-	-	-	-	175

[1] Standard [2] On request [\*] Only for IE3 motors

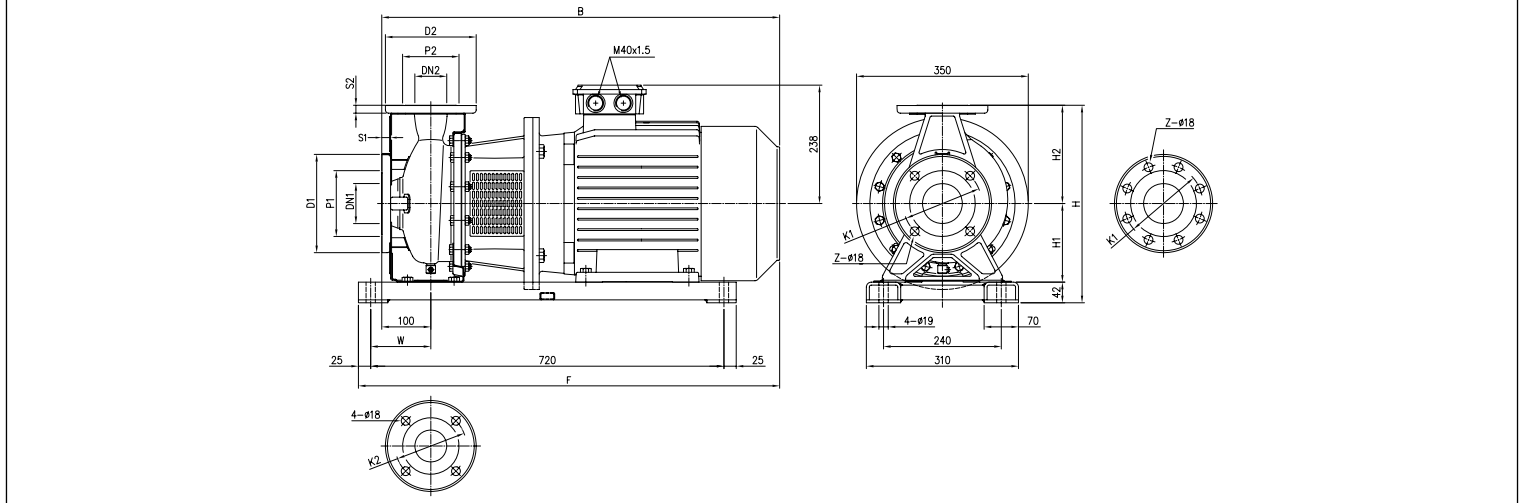


# 3 - 3L SERIES

**CENTRIFUGAL ELECTRIC PUMPS STANDARDISED IN COMPLIANCE WITH EN 733 (EX DIN 24255)**

3(L)S 40, 50, 65 - 11 ÷ 15 kW

2 Poles



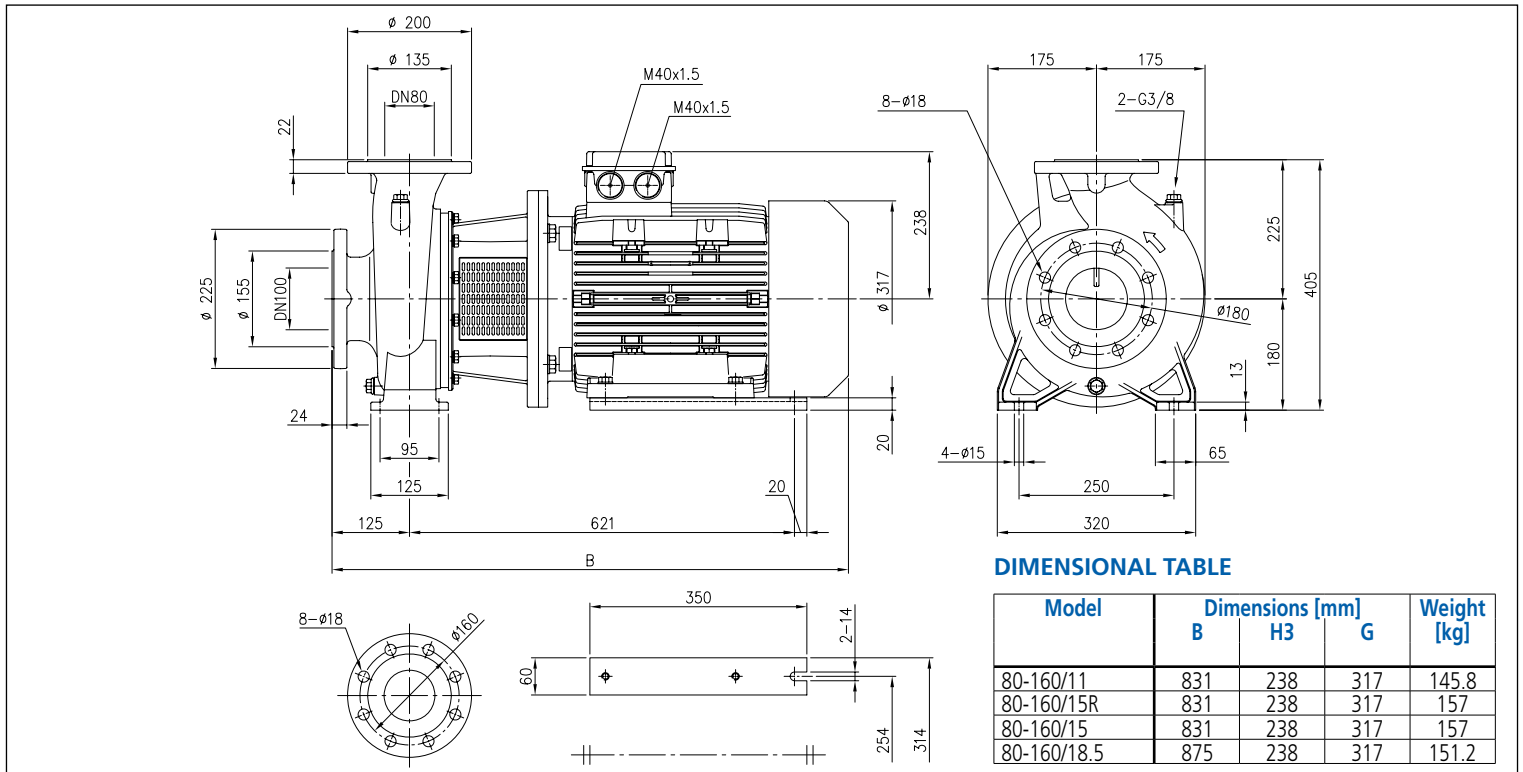
## DIMENSIONAL TABLE

Model	Dimensions [mm]										S2	H	H1	H2	H3	W	B	F	Weight [kg]	
	DN1 Ø	P1 Ø	K1 Ø	D1 Ø	S1	[1]	Z	[2]	DN2 Ø	P2 Ø										K2 Ø
40-200/11	65	115	145	185	16	4	-	40	80	110	150	14	382	160	180	238	110	796	831	117.8
50-200/11	65	115	145	185	16	4	-	50	95	125	165	16	402	160	200	238	110	796	831	117.8
50-200/15	65	115	145	185	16	4	-	50	95	125	165	16	402	160	200	238	110	796	831	147.9
65-160/11	80	134	160	200	18	8	4	65	115	145	185	16	402	160	200	238	122.5	796	844	86.8
65-160/15	80	134	160	200	18	8	4	65	115	145	185	16	402	160	200	238	122.5	806	854	120.9

[1] Standard  
[2] On request

3LS 80-160

2 Poles



## DIMENSIONAL TABLE

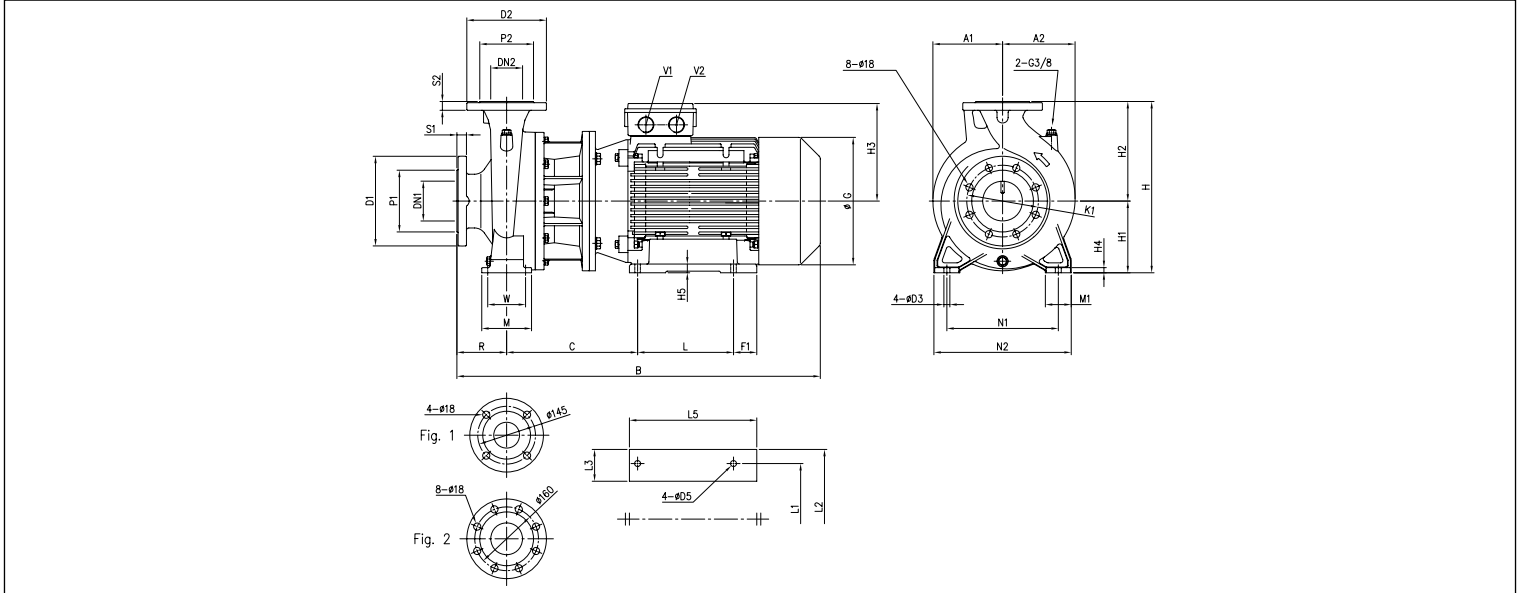
Model	Dimensions [mm]			Weight [kg]
	B	H3	G	
80-160/11	831	238	317	145.8
80-160/15R	831	238	317	157
80-160/15	831	238	317	157
80-160/18.5	875	238	317	151.2

# 3 - 3L SERIES

CENTRIFUGAL ELECTRIC PUMPS STANDARDISED IN COMPLIANCE WITH EN 733 (EX DIN 24255)

3LS 65-250, 80

2 Poles

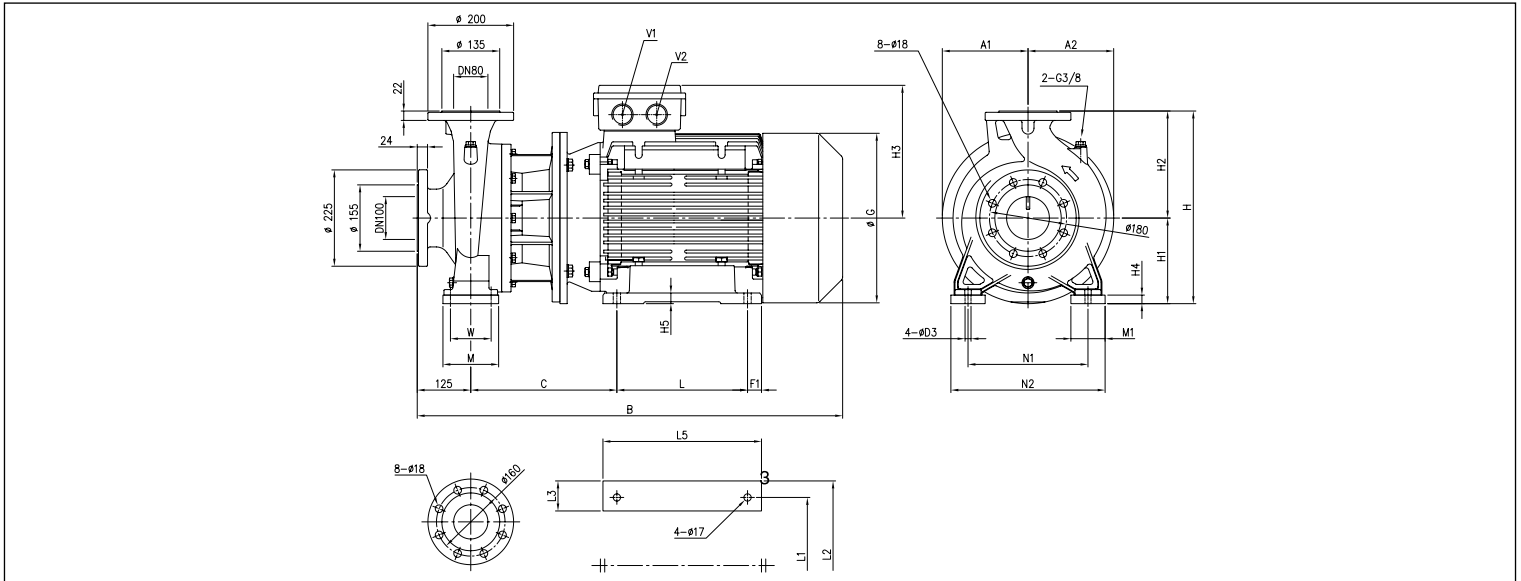


## DIMENSIONAL TABLE

Model	Dimensions [mm]																										Weight [kg]											
	DN1	P1	K1	D1	S1	DN2	P2	D2	S2	H	H1	H2	H3	H4	H5	R	W	N1	N2	M	M1	L	L1	L2	L3	L5		A1	A2	B	C	F1	G	D3	D5	V1	V2	
65-250/30	80	135	160	200	22	65	Fig. 1	120	185	20	450	200	250	300	15	25	100	120	280	360	160	80	305	318	388	80	358	200	200	966	341	21,5	399	19	17	M40x1,5	M40x1,5	303
65-250/37	80	135	160	200	22	65	Fig. 1	120	185	20	450	200	250	300	15	25	100	120	280	360	160	80	305	318	388	80	358	200	200	966	341	21,5	399	19	17	M40x1,5	M40x1,5	320
80-200/22	100	155	180	225	24	80	Fig. 2	135	200	22	430	180	250	268	13	27	125	95	280	345	125	65	241	279	348	75	300	175	182	910	329	24,5	360	15	14	M32x1,5	M32x1,5	207
80-250/37	100	155	180	225	24	80	Fig. 2	135	200	22	480	200	280	300	15	25	125	120	315	400	160	80	305	318	388	80	358	200	200	1019	369	21,5	399	19	17	M40x1,5	M40x1,5	335

3LS 80

2 Poles



## DIMENSIONAL TABLE

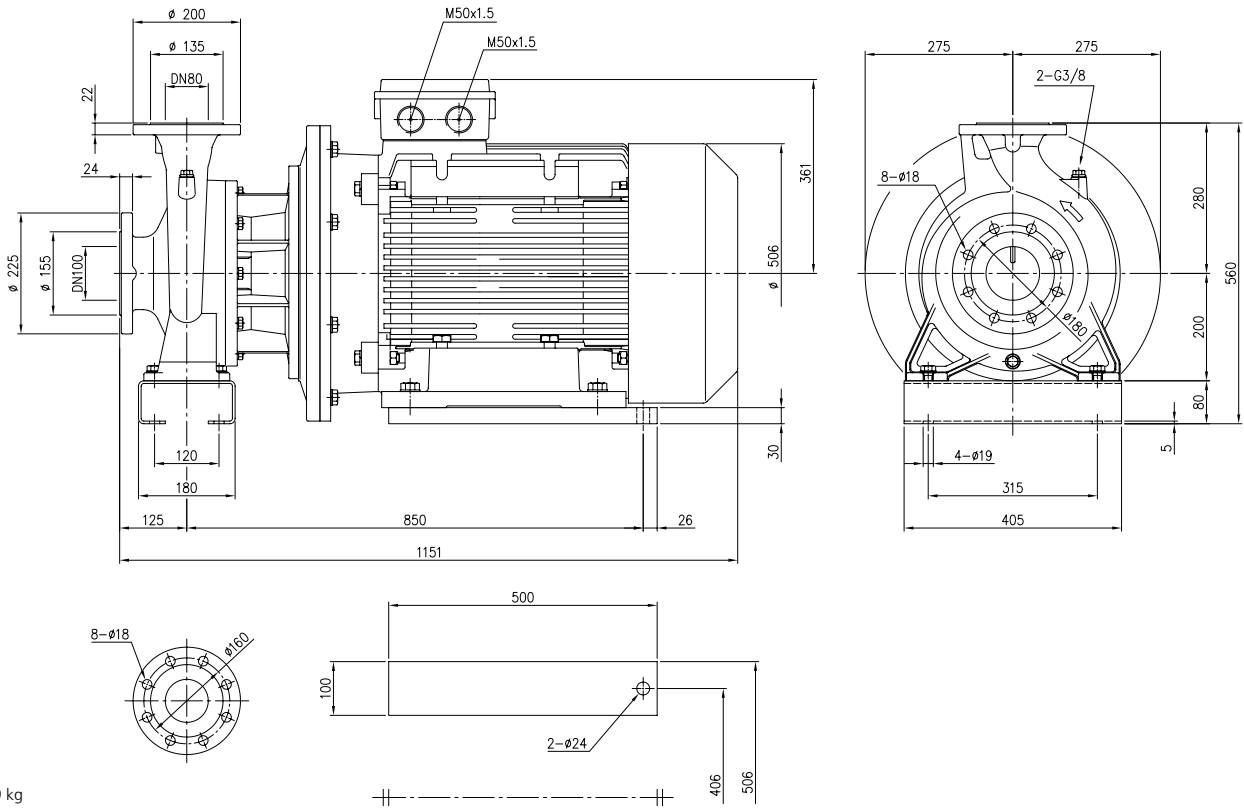
Model	Dimensions [mm]																										Weight [kg]
	H	H1	H2	H3	H4	H5	W	N1	N2	M	M1	L	L1	L2	L3	L5	A1	A2	B	C	F1	G	D3	D5	V1	V2	
80-200/30	450	200	250	300	20	25	95	280	360	130	80	305	318	388	80	358	200	200	991	341	21,5	399	14	M40x1,5	M40x1,5	306	
80-200/37	450	200	250	300	20	25	95	280	360	130	80	305	318	388	80	358	200	200	991	341	21,5	399	14	M40x1,5	M40x1,5	325	
80-250/45	505	225	280	335	25	28	120	315	415	165	100	311	356	436	80	386	225	225	1060	385	37,5	465	18	M50x1,5	M50x1,5	401	

# 3 - 3L SERIES

CENTRIFUGAL ELECTRIC PUMPS STANDARDISED IN COMPLIANCE WITH EN 733  
(EX DIN 24255)

3LS 80-250/55

2 Poles



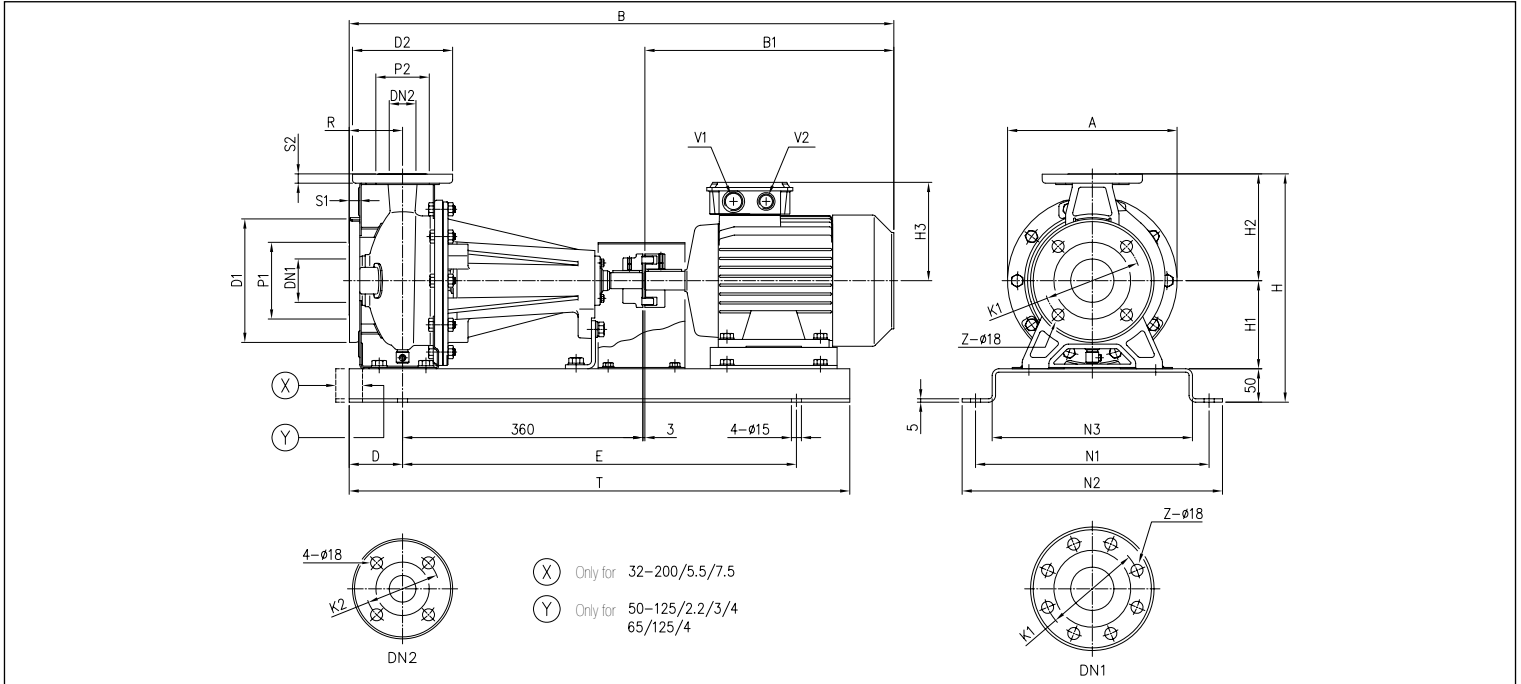
**Weight**  
80-250/55: 489 kg

# 3 - 3L SERIES

CENTRIFUGAL ELECTRIC PUMPS STANDARDISED IN COMPLIANCE WITH EN 733 (EX DIN 24255)

3(L)P 32, 40, 50, 65 up to 65-200

2 Poles



## DIMENSIONAL TABLE

Model	Dimensions [mm]																				Weight [kg]									
	DN1 Ø	P1 Ø	K1 Ø	D1 Ø	S1	Z [1]	Z [2]	DN2 Ø	P2 Ø	K2 Ø	D2 Ø	S2	H	H1	H2	H3	R	A	B	B1	D	E	N1	N2	N3	T	V1	V2	[*]	
32-125/1.1	50	95	125	165	16	4	-	32	75	100	140	14	302	112	140	139	80	213	715	272	80	550	300	340	250	710	M25x1.5	M20x1.5	45.1	46.7
32-160/1.5	50	95	125	165	16	4	-	32	75	100	140	14	342	132	160	148	80	254	760	317	80	590	350	390	300	750	M25x1.5	M20x1.5	52.3	52.3
32-160/2.2	50	95	125	165	16	4	-	32	75	100	140	14	342	132	160	148	80	254	760	317	80	590	350	390	300	750	M25x1.5	M20x1.5	53.5	53.5
32-200/3	50	95	125	165	16	4	-	32	75	100	140	14	390	160	180	155	80	296	809	366	80	590	350	390	300	750	M25x1.5	M20x1.5	71.5	71.5
32-200/4	50	95	125	165	16	4	-	32	75	100	140	14	390	160	180	171	80	296	831	388	80	590	350	390	300	750	M25x1.5	M20x1.5	75.1	75.1
32-200/5.5	50	95	125	165	16	4	-	32	75	100	140	14	390	160	180	198	80	296	885	442	100	650	350	390	300	850	M32x1.5	M32x1.5	97	97
32-200/7.5	50	95	125	165	16	4	-	32	75	100	140	14	390	160	180	198	80	296	885	442	100	650	350	390	300	850	M32x1.5	M32x1.5	-	112.2
40-125/1.5	65	115	145	185	16	4	-	40	80	110	150	14	302	112	140	148	80	213	760	317	80	550	300	340	250	710	M25x1.5	M20x1.5	49.8	49.8
40-125/2.2	65	115	145	185	16	4	-	40	80	110	150	14	302	112	140	148	80	213	760	317	80	550	300	340	250	710	M25x1.5	M20x1.5	51	51
40-160/3	65	115	145	185	16	4	-	40	80	110	150	14	342	132	160	155	80	254	809	366	80	590	350	390	300	750	M25x1.5	M20x1.5	81	81
40-160/4	65	115	145	185	16	4	-	40	80	110	150	14	342	132	160	171	80	254	831	388	80	590	350	390	300	750	M25x1.5	M20x1.5	67.6	67.6
40-200/5.5	65	115	145	185	16	4	-	40	80	110	150	14	390	160	180	198	100	296	905	442	100	650	350	390	300	850	M32x1.5	M32x1.5	98	98
40-200/7.5	65	115	145	185	16	4	-	40	80	110	150	14	390	160	180	198	100	296	905	442	100	650	350	390	300	850	M32x1.5	M32x1.5	-	106.9
40-200/11	65	115	145	185	16	4	-	40	80	110	150	14	390	160	180	238	100	296	1071	608	100	800	380	420	330	1000	M40x1.5	M40x1.5	-	127.8
50-125/2.2	65	115	145	185	16	4	-	50	95	125	165	16	342	132	160	148	100	254	780	317	80	550	350	390	300	710	M25x1.5	M20x1.5	75	75
50-125/3	65	115	145	185	16	4	-	50	95	125	165	16	342	132	160	155	100	254	829	366	80	590	350	390	300	750	M25x1.5	M20x1.5	82.5	82.5
50-125/4	65	115	145	185	16	4	-	50	95	125	165	16	342	132	160	171	100	254	851	388	80	590	350	390	300	750	M25x1.5	M20x1.5	84.6	84.6
50-160/5.5	65	115	145	185	16	4	-	50	95	125	165	16	390	160	180	198	100	296	905	442	100	650	350	390	300	850	M32x1.5	M32x1.5	98	98
50-160/7.5	65	115	145	185	16	4	-	50	95	125	165	16	390	160	180	198	100	296	905	442	100	650	350	390	300	850	M32x1.5	M32x1.5	-	106.9
50-200/9.2	65	115	145	185	16	4	-	50	95	125	165	16	410	160	200	198	100	296	945	482	100	650	350	390	300	850	M32x1.5	M32x1.5	-	111
50-200/11	65	115	145	185	16	4	-	50	95	125	165	16	410	160	200	238	100	296	1071	608	100	800	380	420	330	1000	M40x1.5	M40x1.5	-	128.3
50-200/15	65	115	145	185	16	4	-	50	95	125	165	16	410	160	200	238	100	296	1071	608	100	800	380	420	330	1000	M40x1.5	M40x1.5	-	135.4
65-125/4	80	134	160	200	18	8	4	65	115	145	185	16	390	160	180	171	100	254	851	388	80	590	350	390	300	750	M25x1.5	M20x1.5	85.1	85.1
65-125/5.5	80	134	160	200	18	8	4	65	115	145	185	16	390	160	180	198	100	254	905	442	100	650	350	390	300	850	M32x1.5	M32x1.5	99	99
65-125/7.5	80	134	160	200	18	8	4	65	115	145	185	16	390	160	180	198	100	254	905	442	100	650	350	390	300	850	M32x1.5	M32x1.5	-	109.4
65-160/7.5	80	134	160	200	18	8	4	65	115	145	185	16	410	160	200	198	100	296	905	442	100	650	350	390	300	850	M32x1.5	M32x1.5	-	115.4
65-160/9.2	80	134	160	200	18	8	4	65	115	145	185	16	410	160	200	198	100	296	945	482	100	650	350	390	300	850	M32x1.5	M32x1.5	-	118
65-160/11	80	134	160	200	18	8	4	65	115	145	185	16	410	160	200	238	100	296	1071	608	100	800	380	420	330	1000	M40x1.5	M40x1.5	-	124.8
65-160/15	80	134	160	200	18	8	4	65	115	145	185	16	410	160	200	238	100	296	1071	608	100	800	380	420	330	1000	M40x1.5	M40x1.5	-	129
65-200/15	80	134	160	200	18	8	4	65	115	145	185	16	455	180	225	238	100	296	1071	608	100	800	380	420	330	1000	M40x1.5	M40x1.5	-	137
65-200/18.5	80	134	160	200	18	8	4	65	115	145	185	16	455	180	225	238	100	296	1115	652	100	800	380	420	330	1000	M40x1.5	M40x1.5	-	135.2
65-200/22	80	134	160	200	18	8	4	65	115	145	185	16	455	180	225	268	100	296	1150	687	100	800	410	450	360	1000	M32x1.5	M32x1.5	-	189

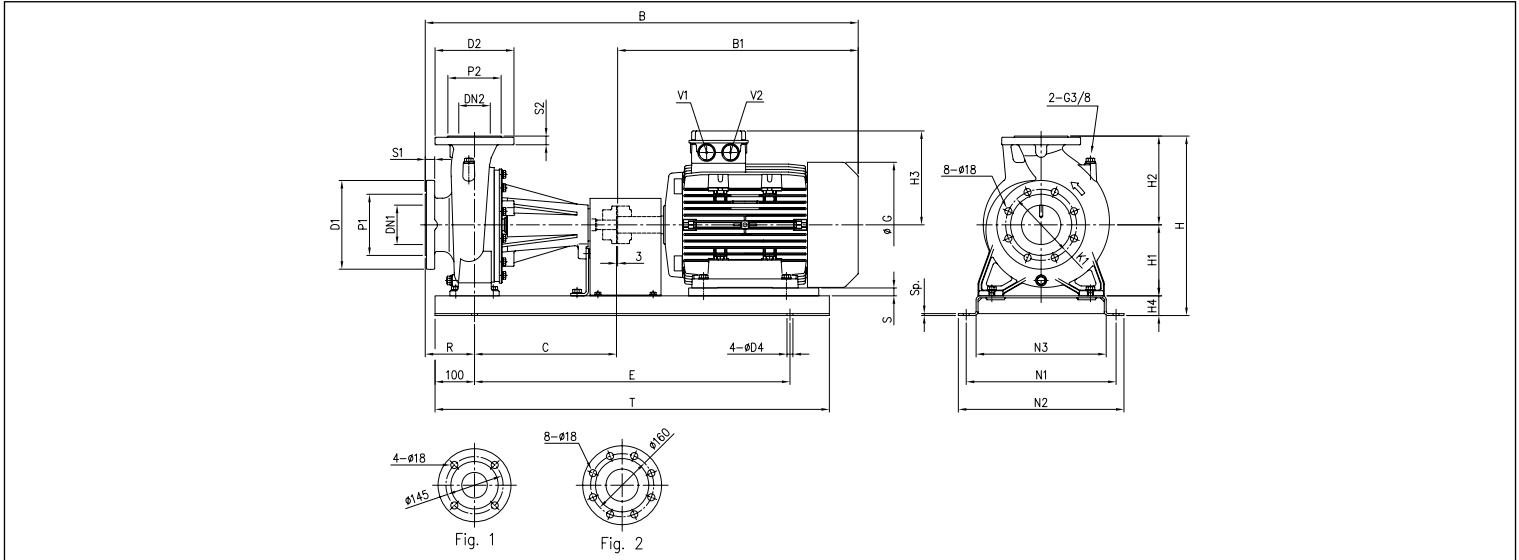
[1] Standard [2] On request [\*] Only for IE3 motors

# 3 - 3L SERIES

## CENTRIFUGAL ELECTRIC PUMPS STANDARDISED IN COMPLIANCE WITH EN 733 (EX DIN 24255)

3LP 65-250, 80

2 Poles

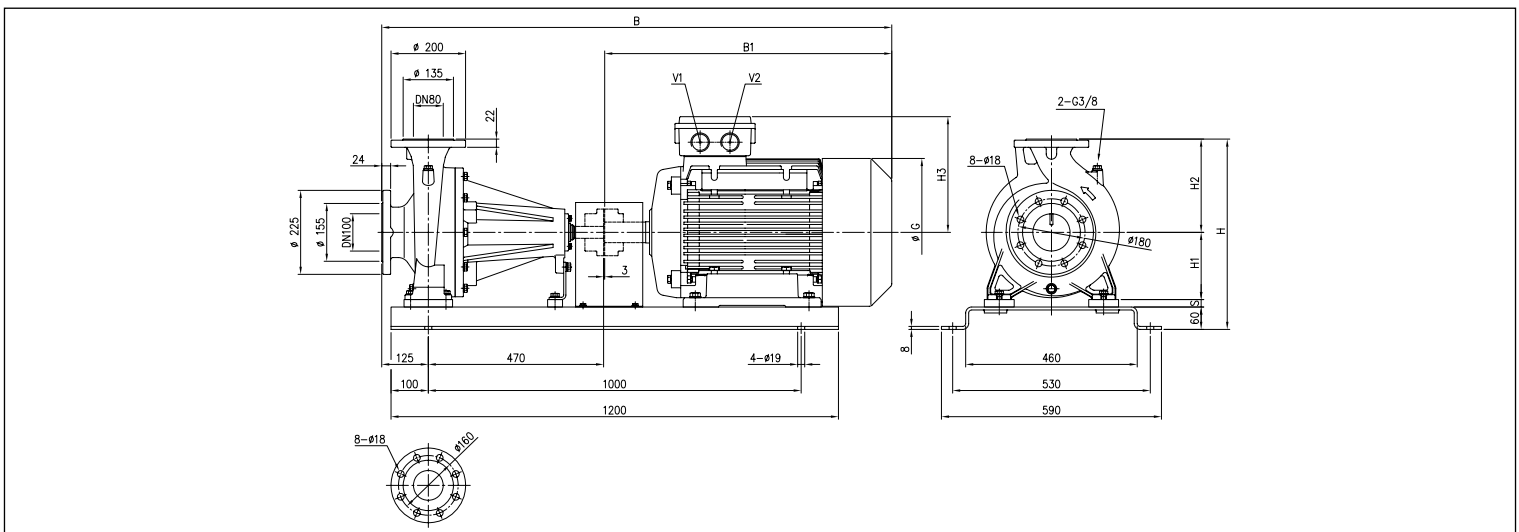


### DIMENSIONAL TABLE

Model	Dimensions [mm]																				Weight [kg]									
	DN1	P1	k1	D1	S1	DN2	P2	D2	S2	H	H1	H2	H3	H4	R	N1	N2	N3	B	B1		C	G	E	T	S	D4	Sp.	V1	V2
65-250/30	80	135	160	200	22	65 Fig. 1	120	185	20	510	200	250	300	60	100	530	590	460	1341	768	470	399	1000	1200	-	19	8	M40x1.5	M40x1.5	354
65-250/37	80	135	160	200	22	65 Fig. 1	120	185	20	510	200	250	300	60	100	530	590	460	1341	768	470	399	1000	1200	-	19	8	M40x1.5	M40x1.5	373
80-160/11	100	155	180	225	24	80 Fig. 2	135	200	22	455	180	225	238	50	125	380	420	330	1096	608	360	317	800	1000	20	15	5	M40x1.5	M40x1.5	174.8
80-160/15R	100	155	180	225	24	80 Fig. 2	135	200	22	455	180	225	238	50	125	380	420	330	1096	608	360	317	800	1000	20	15	5	M40x1.5	M40x1.5	186
80-160/15	100	155	180	225	24	80 Fig. 2	135	200	22	455	180	225	238	50	125	380	420	330	1096	608	360	317	800	1000	20	15	5	M40x1.5	M40x1.5	186
80-160/18.5	100	155	180	225	24	80 Fig. 2	135	200	22	455	180	225	238	50	125	380	420	330	1140	652	360	317	800	1000	20	15	5	M40x1.5	M40x1.5	181.2
80-200/22	100	155	180	225	24	80 Fig. 2	135	200	22	490	180	250	268	60	125	530	590	460	1285	687	470	360	1000	1200	-	19	8	M32x1.5	M32x1.5	259
80-250/37	100	155	180	225	24	80 Fig. 2	135	200	22	540	200	280	300	60	125	530	590	460	1366	768	470	399	1000	1200	-	19	8	M40x1.5	M40x1.5	377

3LP 80 - 30 ÷ 45 kW

2 Poles



### DIMENSIONAL TABLE

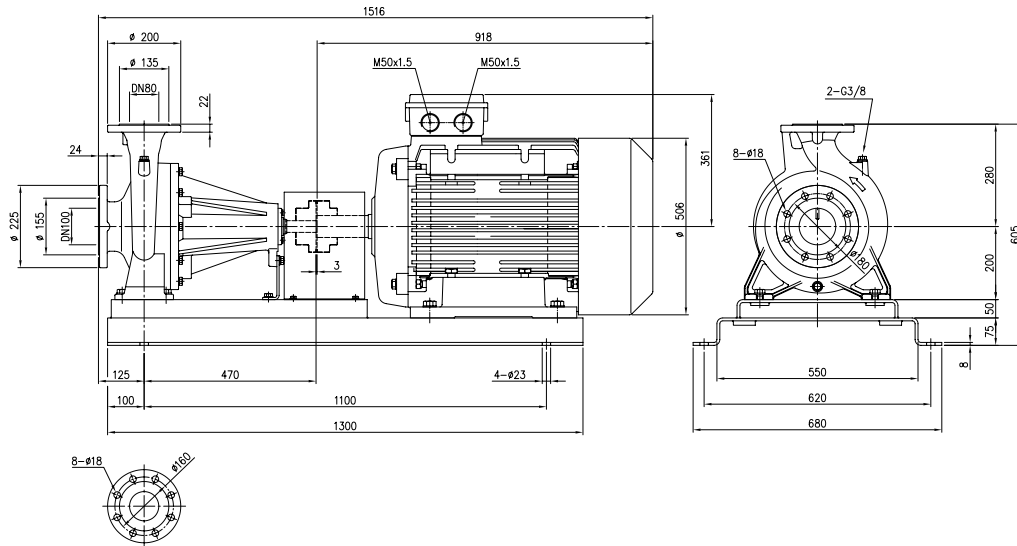
Model	Dimensions [mm]										Weight [kg]
	H	H1	H2	H3	B	B1	G	S	V1	V2	
80-200/30	510	180	250	300	1366	768	399	20	M40x1.5	M40x1.5	356
80-200/37	510	180	250	300	1366	768	399	20	M40x1.5	M40x1.5	365
80-250/45	565	200	280	335	1407	809	465	25	M50x1.5	M50x1.5	440

# 3 - 3L SERIES

CENTRIFUGAL ELECTRIC PUMPS STANDARDISED IN COMPLIANCE WITH EN 733  
(EX DIN 24255)

3LP 80-250/55

2 Poles

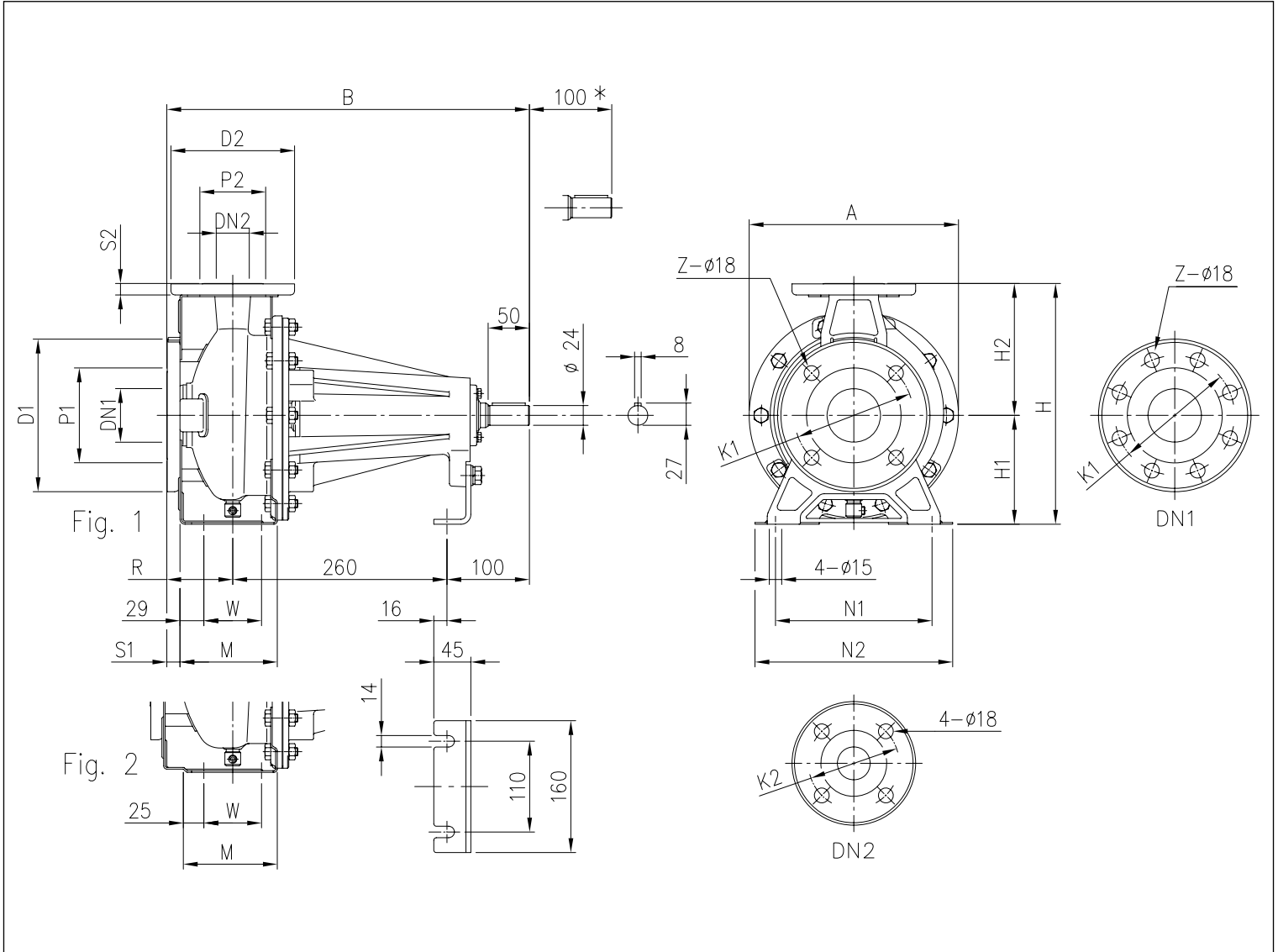


# 3 - 3L SERIES

CENTRIFUGAL ELECTRIC PUMPS STANDARDISED IN COMPLIANCE WITH EN 733  
(EX DIN 24255)

3(L)PF 32, 40, 50, 65

2 Poles



## DIMENSIONAL TABLE

Model	Fig.	DN1	P1	K1	D1	S1	Z		DN2	P2	Dimensions [mm]				H	H1	H2	M	N1	N2	R	W	A	B	Weight [kg]
							[1]	[2]			K2	D2	S2												
32-125	1	50	95	125	165	16	4	-	32	75	100	140	14	252	112	140	114	140	190	80	70	213	440	17,0	
32-160	1	50	95	125	165	16	4	-	32	75	100	140	14	292	132	160	118	190	240	80	70	254	440	19,0	
32-200	1	50	95	125	165	16	4	-	32	75	100	140	14	340	160	180	119	190	240	80	70	296	440	27,0	
40-125	1	65	115	145	185	16	4	-	40	80	110	150	14	252	112	140	114	160	210	80	70	213	440	17,0	
40-160	1	65	115	145	185	16	4	-	40	80	110	150	14	292	132	160	118	190	240	80	70	254	440	19,0	
40-200	2	65	115	145	185	16	4	-	40	80	110	150	14	340	160	180	115	212	265	100	70	296	460	27,0	
50-125	2	65	115	145	185	16	4	-	50	95	125	165	16	292	132	160	114	190	240	100	70	254	460	19,0	
50-160	2	65	115	145	185	16	4	-	50	95	125	165	16	340	160	180	115	212	265	100	70	296	460	28,0	
50-200	2	65	115	145	185	16	4	-	50	95	125	165	16	360	160	200	115	212	265	100	70	296	460	27,0	
65-125	2	80	134	160	200	18	8	4	65	115	145	185	16	340	160	180	140	212	280	100	95	254	460	28,0	
65-160	2	80	134	160	200	18	8	4	65	115	145	185	16	360	160	200	140	212	280	100	95	296	460	29,0	
65-200	2	80	134	160	200	18	8	4	65	115	145	185	16	405	180	225	140	250	320	100	95	296	460	30,0	

[1] Standard  
[2] On request

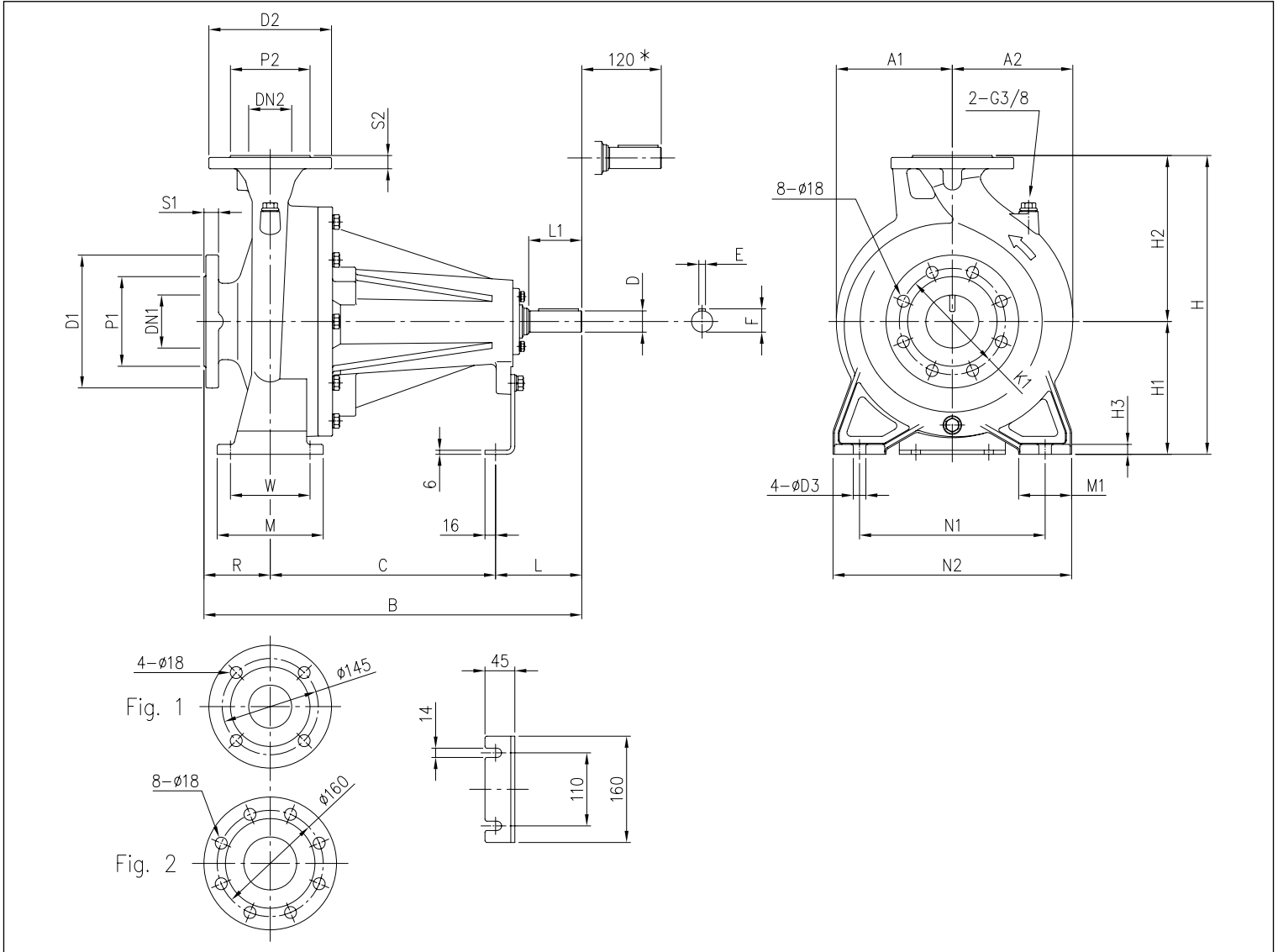
\* Space where it is possible to disassemble the pump with spacer joint without disassembling the motor.

# 3 - 3L SERIES

CENTRIFUGAL ELECTRIC PUMPS STANDARDISED IN COMPLIANCE WITH EN 733  
(EX DIN 24255)

3(L)PF 65-250, 80

2 Poles



## DIMENSIONAL TABLE

Model	Dimensions [mm]																				Weight [kg]									
	DN1	P1	K1	D1	S1	DN2	P2	D2	S2	H	H1	H2	H3	R	W	N1	N2	M	M1	L		L1	D	D3	E	F	A1	A2	B	C
65-250	80	135	160	200	22	65 Fig. 1	120	185	20	450	200	250	15	100	120	280	360	160	80	130	80	32	19	10	35	175	182	570	340	82,0
80-160	100	155	180	225	24	80 Fig. 2	135	200	22	405	180	225	13	125	95	250	320	125	65	100	50	24	15	8	27	147	173	485	260	60,0
80-200	100	155	180	225	24	80 Fig. 2	135	200	22	430	180	250	13	125	95	280	345	125	65	130	80	32	15	10	35	175	182	595	340	83,0
80-250	100	155	180	225	24	80 Fig. 2	135	200	22	480	200	280	15	125	120	315	400	160	80	130	80	32	19	10	35	175	192	595	340	88,0

\* Space where it is possible to disassemble the pump with spacer joint without disassembling the motor.

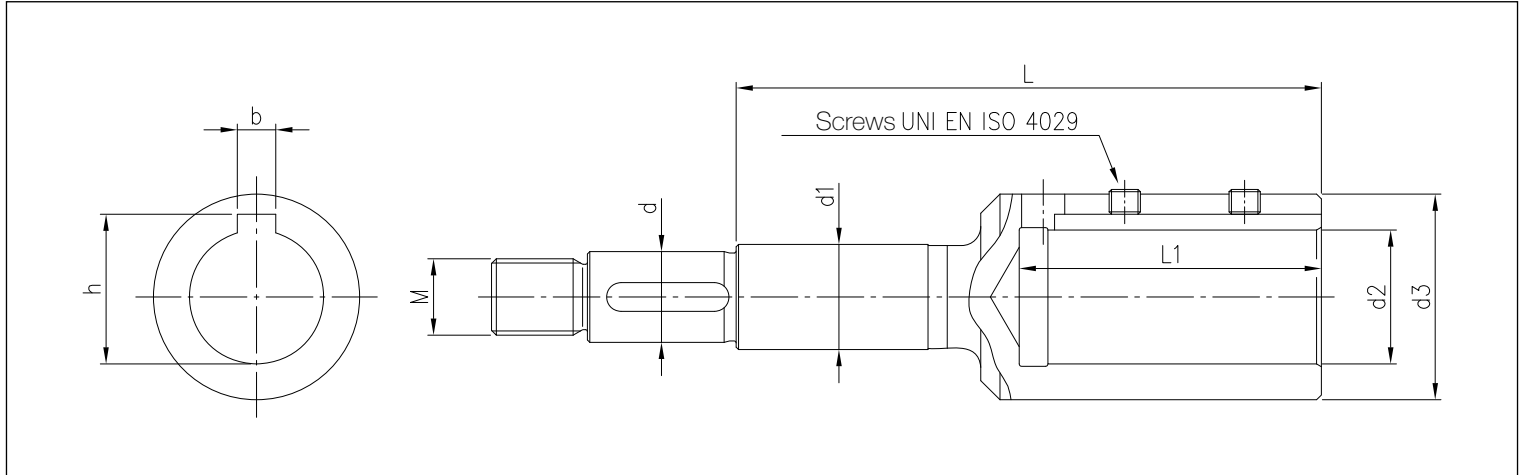


# 3 - 3L SERIES

**CENTRIFUGAL ELECTRIC PUMPS STANDARDISED IN COMPLIANCE WITH EN 733  
(EX DIN 24255)**

**JOINT FOR 3(L)S SERIES**

**2 Poles**



**DIMENSIONAL TABLE**

Model	[HP]	[kW]	Motor size	Dimensions [mm]									
				d	d1	d2	d3	M	L	L1	b	h	Screws
32-125/1.1	1,5	1,1	80	19	22	19	33	M16x1,5	98	43	6	21,8	M6x6
32-160/1.5	2	1,5	90	19	22	24	39	M16x1,5	110	53	8	27,3	M8x8
32-160/2.2	3	2,2	90	19	22	24	39	M16x1,5	110	53	8	27,3	M8x8
32-200/3.0	4	3	100	19	22	28	43	M16x1,5	122	63	8	31,3	M8x8
32-200/4.0	5,5	4	112	19	22	28	43	M16x1,5	122	63	8	31,3	M8x8
32-200/5.5	7,5	5,5	132	19	22	38	58	M16x1,5	145	84	10	41,3	M8x8
32-200/7.5	10	7,5	132	19	22	38	58	M16x1,5	145	84	10	41,3	M8x8
40-125/1.5	2	1,5	90	19	22	24	39	M16x1,5	110	53	8	27,3	M8x8
40-125/2.2	3	2,2	90	19	22	24	39	M16x1,5	110	53	8	27,3	M8x8
40-160/3.0	4	3	100	19	22	28	43	M16x1,5	122	63	8	31,3	M8x8
40-160/4.0	5,5	4	112	19	22	28	43	M16x1,5	122	63	8	31,3	M8x8
40-200/5.5	7,5	5,5	132	19	22	38	58	M16x1,5	145	84	10	41,3	M8x8
40-200/7.5	10	7,5	132	19	22	38	58	M16x1,5	145	84	10	41,3	M8x8
40-200/11	15	11	160	19	22	42	63	M16x1,5	178	114	12	45,3	M8x8
50-125/2.2	3	2,2	90	19	22	24	39	M16x1,5	110	53	8	27,3	M8x8
50-125/3.0	4	3	100	19	22	28	43	M16x1,5	122	63	8	31,3	M8x8
50-125/4.0	5,5	4	112	19	22	28	43	M16x1,5	122	63	8	31,3	M8x8
50-160/5.5	7,5	5,5	132	19	22	38	58	M16x1,5	145	84	10	41,3	M8x8
50-160/7.5	10	7,5	132	19	22	38	58	M16x1,5	145	84	10	41,3	M8x8
50-200/9.2	12,5	9,2	132	19	22	38	58	M16x1,5	145	84	10	41,3	M8x8
50-200/11	15	11	160	19	22	42	63	M16x1,5	178	114	12	45,3	M8x8
50-200/15	20	15	160	22	22	42	63	M18x1,5	209	114	12	45,3	M8x8
65-125/4.0	5,5	4	112	19	22	28	43	M16x1,5	122	63	8	31,3	M8x8
65-125/5.5	7,5	5,5	132	19	22	38	58	M16x1,5	145	84	10	41,3	M8x8
65-125/7.5	10	7,5	132	19	22	38	58	M16x1,5	145	84	10	41,3	M8x8
65-160/7.5	10	7,5	132	19	22	38	58	M16x1,5	145	84	10	41,3	M8x8
65-160/9.2	12,5	9,2	132	19	22	38	58	M16x1,5	145	84	10	41,3	M8x8
65-160/11	15	11	160	19	22	42	63	M16x1,5	178	114	12	45,3	M8x8
65-160/15	20	15	160	24	30	42	63	M20x1,5	184	114	12	45,3	M8x8
65-200/15	20	15	160	24	30	42	63	M20x1,5	184	114	12	45,3	M8x8
65-200/18.5	25	18,5	160	24	30	42	63	M20x1,5	184	114	12	45,3	M8x8
65-200/22	30	22	180	24	30	48	72	M20x1,5	184	114	14	51,8	M10x10
65-250/30	40	30	200	24	30	55	85	M20x1,5	184	114	16	59,3	M12x12
65-250/37	50	37	200	24	30	55	85	M20x1,5	184	114	16	59,3	M12x12
80-160/11	15	11	160	24	30	42	63	M20x1,5	184	114	12	45,3	M8x8
80-160/15R	20	15	160	24	30	42	63	M20x1,5	184	114	12	45,3	M8x8
80-160/15	20	15	160	24	30	42	63	M20x1,5	184	114	12	45,3	M8x8
80-160/18.5	25	18,5	160	24	30	42	63	M20x1,5	184	114	12	45,3	M8x8
80-200/22	30	22	180	24	30	48	72	M20x1,5	184	114	14	51,8	M10x10
80-200/30	40	30	200	24	30	55	85	M20x1,5	184	114	16	59,3	M12x12
80-200/37	50	37	200	24	30	55	85	M20x1,5	184	114	16	59,3	M12x12
80-250/37	50	37	200	29	35	55	85	M24x2	206	114	16	59,3	M12x12
80-250/45	60	45	225	29	35	55	85	M24x2	206	114	16	59,3	M12x12
80-250/55	75	55	250	29	35	60	89	M24x2	218	144	18	64,4	M12x12

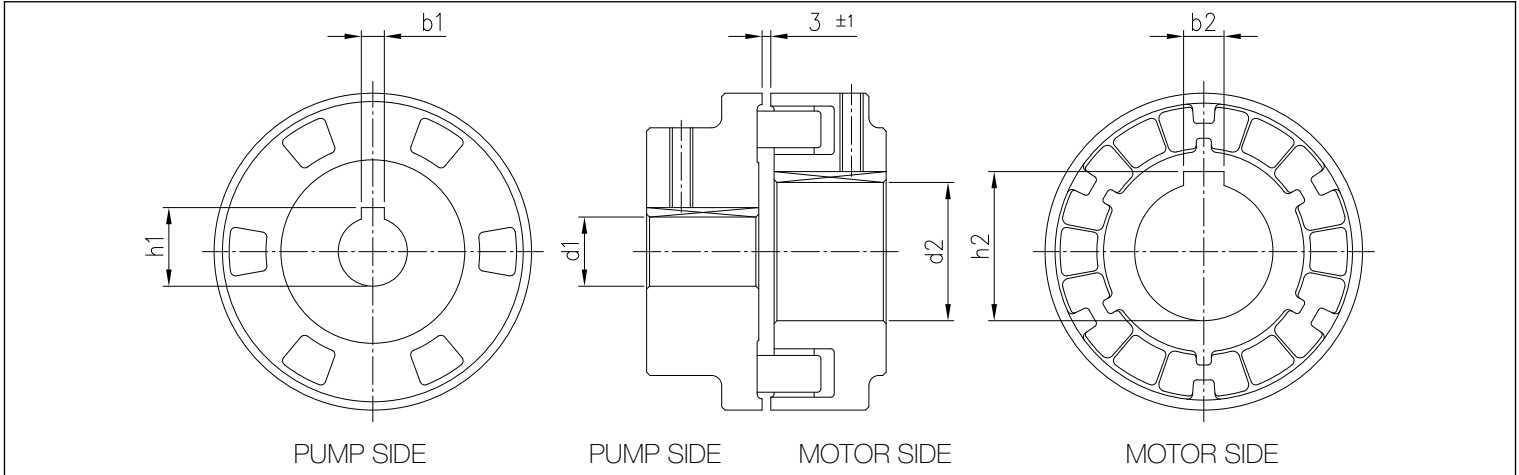
The contents of this publication must not be regarded as binding. EBARA Pumps Europe S.p.A. reserves the right to effect any modification it deems necessary, without prior notice.

# 3 - 3L SERIES

CENTRIFUGAL ELECTRIC PUMPS STANDARDISED IN COMPLIANCE WITH EN 733  
(EX DIN 24255)

JOINT FOR 3(L)P SERIES

2 Poles



DIMENSIONAL TABLE

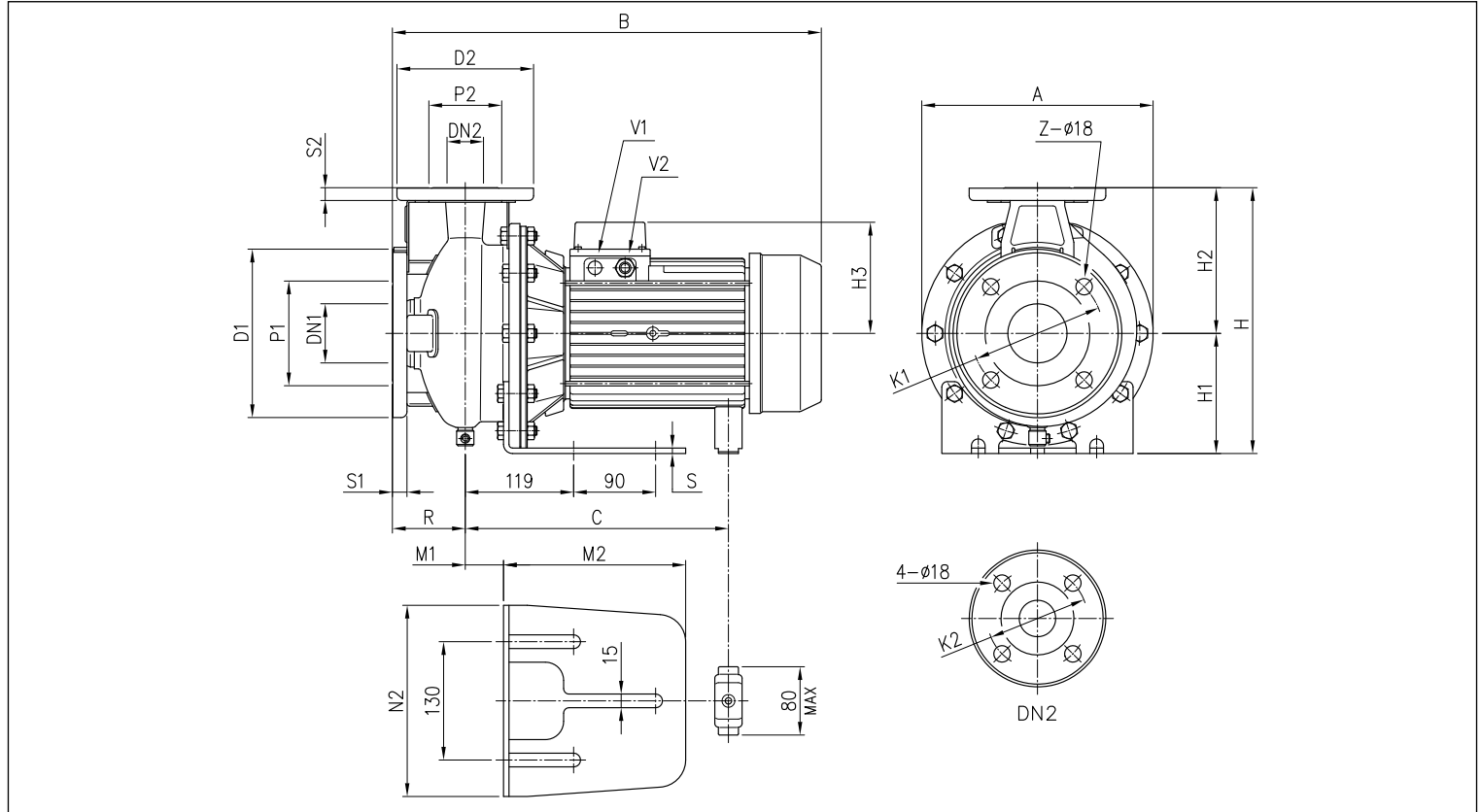
Model	[HP]	[kW]	Motor size	Dimensions [mm]					
				d1	b1	h1	d2	b2	h2
32-125/1.1	1,5	1,1	80	24	8	27,3	19	6	21,8
32-160/1.5	2	1,5	90	24	8	27,3	24	8	27,3
32-160/2.2	3	2,2	90	24	8	27,3	24	8	27,3
32-200/3.0	4	3	100	24	8	27,3	28	8	31,3
32-200/4.0	5,5	4	112	24	8	27,3	28	8	31,3
32-200/5.5	7,5	5,5	132	24	8	27,3	38	10	41,3
32-200/7.5	10	7,5	132	24	8	27,3	38	10	41,3
40-125/1.5	2	1,5	90	24	8	27,3	24	8	27,3
40-125/2.2	3	2,2	90	24	8	27,3	24	8	27,3
40-160/3.0	4	3	100	24	8	27,3	28	8	31,3
40-160/4.0	5,5	4	112	24	8	27,3	28	8	31,3
40-200/5.5	7,5	5,5	132	24	8	27,3	38	10	41,3
40-200/7.5	10	7,5	132	24	8	27,3	38	10	41,3
40-200/11	15	11	160	24	8	27,3	42	12	45,3
50-125/2.2	3	2,2	90	24	8	27,3	24	8	27,3
50-125/3.0	4	3	100	24	8	27,3	28	8	31,3
50-125/4.0	5,5	4	112	24	8	27,3	28	8	31,3
50-160/5.5	7,5	5,5	132	24	8	27,3	38	10	41,3
50-160/7.5	10	7,5	132	24	8	27,3	38	10	41,3
50-200/9.2	12,5	9,2	132	24	8	27,3	38	10	41,3
50-200/11	15	11	160	24	8	27,3	42	12	45,3
50-200/15	20	15	160	24	8	27,3	42	12	45,3
65-125/4.0	5,5	4	112	24	8	27,3	28	8	31,3
65-125/5.5	7,5	5,5	132	24	8	27,3	38	10	41,3
65-125/7.5	10	7,5	132	24	8	27,3	38	10	41,3
65-160/7.5	10	7,5	132	24	8	27,3	38	10	41,3
65-160/9.2	12,5	9,2	132	24	8	27,3	38	10	41,3
65-160/11	15	11	160	24	8	27,3	42	12	45,3
65-160/15	20	15	160	24	8	27,3	42	12	45,3
65-200/15	20	15	160	24	8	27,3	42	12	45,3
65-200/18.5	25	18,5	160	24	8	27,3	42	12	45,3
65-200/22	30	22	180	24	8	27,3	48	14	51,8
65-250/30	40	30	200	32	10	35,3	55	16	59,3
65-250/37	50	37	200	32	10	35,3	55	16	59,3
80-160/11	15	11	160	24	8	27,3	42	12	45,3
80-160/15R	20	15	160	24	8	27,3	42	12	45,3
80-160/15	20	15	160	24	8	27,3	42	12	45,3
80-160/18.5	25	18,5	160	24	8	27,3	42	12	45,3
80-200/22	30	22	180	32	10	35,3	48	14	51,8
80-200/30	40	30	200	32	10	35,3	55	16	59,3
80-200/37	50	37	200	32	10	35,3	55	16	59,3
80-250/37	50	37	200	32	10	35,3	55	16	59,3
80-250/45	60	45	225	32	10	35,3	55	16	59,3
80-250/55	75	55	250	32	10	35,3	60	18	64,4

The contents of this publication must not be regarded as binding. EBARA Pumps Europe S.p.A. reserves the right to effect any modification it deems necessary, without prior notice.

# 3Z SERIES

## CENTRIFUGAL ELECTRIC PUMPS STANDARDISED IN COMPLIANCE WITH EN 733 (EX DIN 24255)

### SECTIONAL VIEW 3LMZ 32, 40, 50-125/160/200/9.2/11, 65-125/160/7.5/9.2/11 SERIES



### DIMENSIONAL TABLE

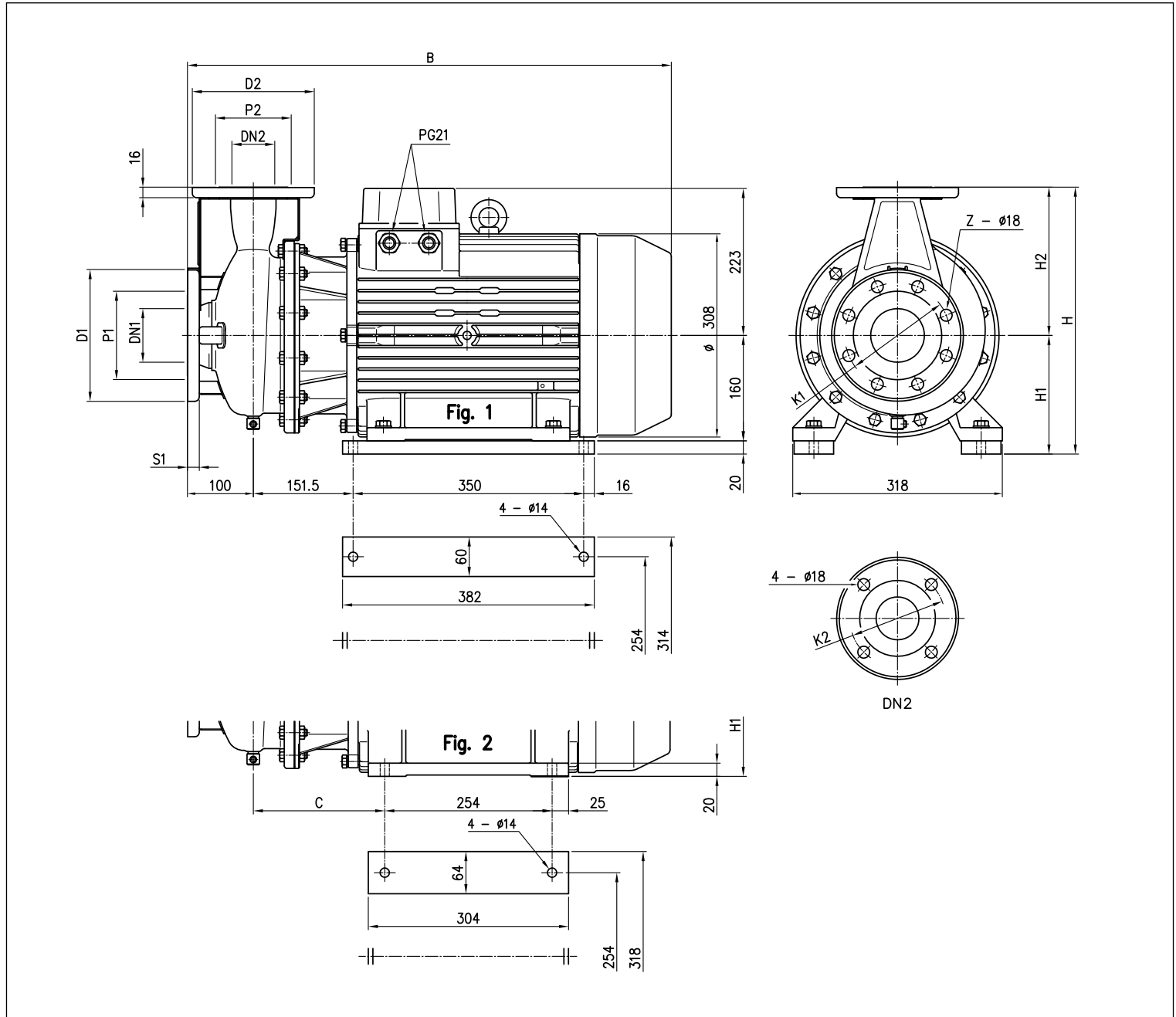
Model	Dimensions [mm]																				Weight [kg]								
	DN1 Ø	P1 Ø	K1 Ø	D1 Ø	S1	Z	DN2 Ø	P2 Ø	K2 Ø	D2 Ø	S2	H	H1	H2	H3	R	M1	M2	S	N2	A	B [*]	C	V1	V2	Weight [kg]	Weight [*]		
32-125/1.1	50	95	125	165	16	4	32	75	100	140	14	252	112	140	124	80	32.5	212	6	190	213	407	-	-	-	PG 13.5	24,1	-	
32-160/1.5	50	95	125	165	16	4	32	75	100	140	14	292	132	160	124	80	42	200	6	210	254	407	-	-	-	PG 13.5	27	-	
32-160/2.2	50	95	125	165	16	4	32	75	100	140	14	292	132	160	124	80	42	200	6	210	254	432	-	-	-	PG 13.5	28	-	
32-200/3.0	50	95	125	165	16	4	32	75	100	140	14	340	160	180	124	80	39	205	8	220	296	471	-	-	-	PG 13.5	35,1	-	
32-200/4.0	50	95	125	165	16	4	32	75	100	140	14	340	160	180	141	80	39	205	8	220	296	494	-	-	-	PG 16	38,2	-	
32-200/5.5	50	95	125	165	16	4	32	75	100	140	14	340	160	180	150	80	39	205	8	220	296	519	-	-	PG 13.5	PG 16	52,2	-	
32-200/7.5	50	95	125	165	16	4	32	75	100	140	14	340	160	180	150	80	39	205	8	220	296	519	539	275	PG 13.5	PG 16	-	60,1	
40-125/1.5	65	115	145	185	16	4	40	80	110	150	14	252	112	140	124	80	32.5	212	6	190	213	407	-	-	-	PG 13.5	24,6	-	
40-125/2.2	65	115	145	185	16	4	40	80	110	150	14	252	112	140	124	80	32.5	212	6	190	213	432	-	-	-	PG 13.5	26,1	-	
40-160/3.0	65	115	145	185	16	4	40	80	110	150	14	292	132	160	124	80	42	200	6	210	254	471	-	-	-	PG 13.5	26,6	-	
40-160/4.0	65	115	145	185	16	4	40	80	110	150	14	292	132	160	141	80	42	200	6	210	254	494	-	-	-	PG 16	40,8	-	
40-200/5.5	65	115	145	185	16	4	40	80	110	150	14	340	160	180	150	100	39	205	8	220	296	539	-	-	-	PG 13.5	PG 16	52,5	-
40-200/7.5	65	115	145	185	16	4	40	80	110	150	14	340	160	180	150	100	39	205	8	220	296	539	559	275	PG 13.5	PG 16	-	59,3	
40-200/11	65	115	145	185	16	4	40	80	110	150	14	340	160	180	178	100	39	205	8	220	296	595	-	359	PG 13.5	PG 21	-	69,6	
50-125/2.2	65	115	145	185	16	4	50	95	125	165	16	292	132	160	124	100	42	200	6	210	254	452	-	-	-	PG 13.5	32	-	
50-125/3.0	65	115	145	185	16	4	50	95	125	165	16	292	132	160	124	100	42	200	6	210	254	491	-	-	-	PG 13.5	30,9	-	
50-125/4.0	65	115	145	185	16	4	50	95	125	165	16	292	132	160	141	100	42	200	6	210	254	514	-	-	-	PG 16	40,9	-	
50-160/5.5	65	115	145	185	16	4	50	95	125	165	16	340	160	180	150	100	39	205	8	220	296	539	-	-	PG 13.5	PG 16	46,5	-	
50-160/7.5	65	115	145	185	16	4	50	95	125	165	16	340	160	180	150	100	39	205	8	220	296	539	559	275	PG 13.5	PG 16	-	58,6	
50-200/9.2	65	115	145	185	16	4	50	95	125	165	16	360	160	200	178	100	39	205	8	220	296	595	-	359	PG 13.5	PG 21	-	63,9	
50-200/11	65	115	145	185	16	4	50	95	125	165	16	360	160	200	178	100	39	205	8	220	296	595	-	359	PG 13.5	PG 21	-	69,6	
65-125/4.0	80	134	160	200	18	8	65	115	145	185	16	340	160	180	141	100	42	200	6	210	254	514	-	-	-	PG 16	37,7	-	
65-125/5.5	80	134	160	200	18	8	65	115	145	185	16	340	160	180	150	100	42	200	6	210	254	539	-	-	PG 13.5	PG 16	48,7	-	
65-125/7.5	80	134	160	200	18	8	65	115	145	185	16	340	160	180	150	100	42	200	6	210	254	539	559	275	PG 13.5	PG 16	-	52,1	
65-160/7.5	80	134	160	200	18	8	65	115	145	185	16	360	160	200	150	100	39	205	8	220	296	539	559	275	PG 13.5	PG 16	-	55,3	
65-160/9.2	80	134	160	200	18	8	65	115	145	185	16	360	160	200	178	100	39	205	8	220	296	595	-	359	PG 13.5	PG 21	-	61	
65-160/11	80	134	160	200	18	8	65	115	145	185	16	360	160	200	178	100	39	205	8	220	296	595	-	359	PG 13.5	PG 21	-	67,4	

[\*] Only for IE3 motors

# 3Z SERIES

CENTRIFUGAL ELECTRIC PUMPS STANDARDISED IN COMPLIANCE WITH EN 733  
(EX DIN 24255)

## SECTIONAL VIEW 3LMZ 50-200/15, 65-160/15, 65-200 SERIES



### DIMENSIONAL TABLE

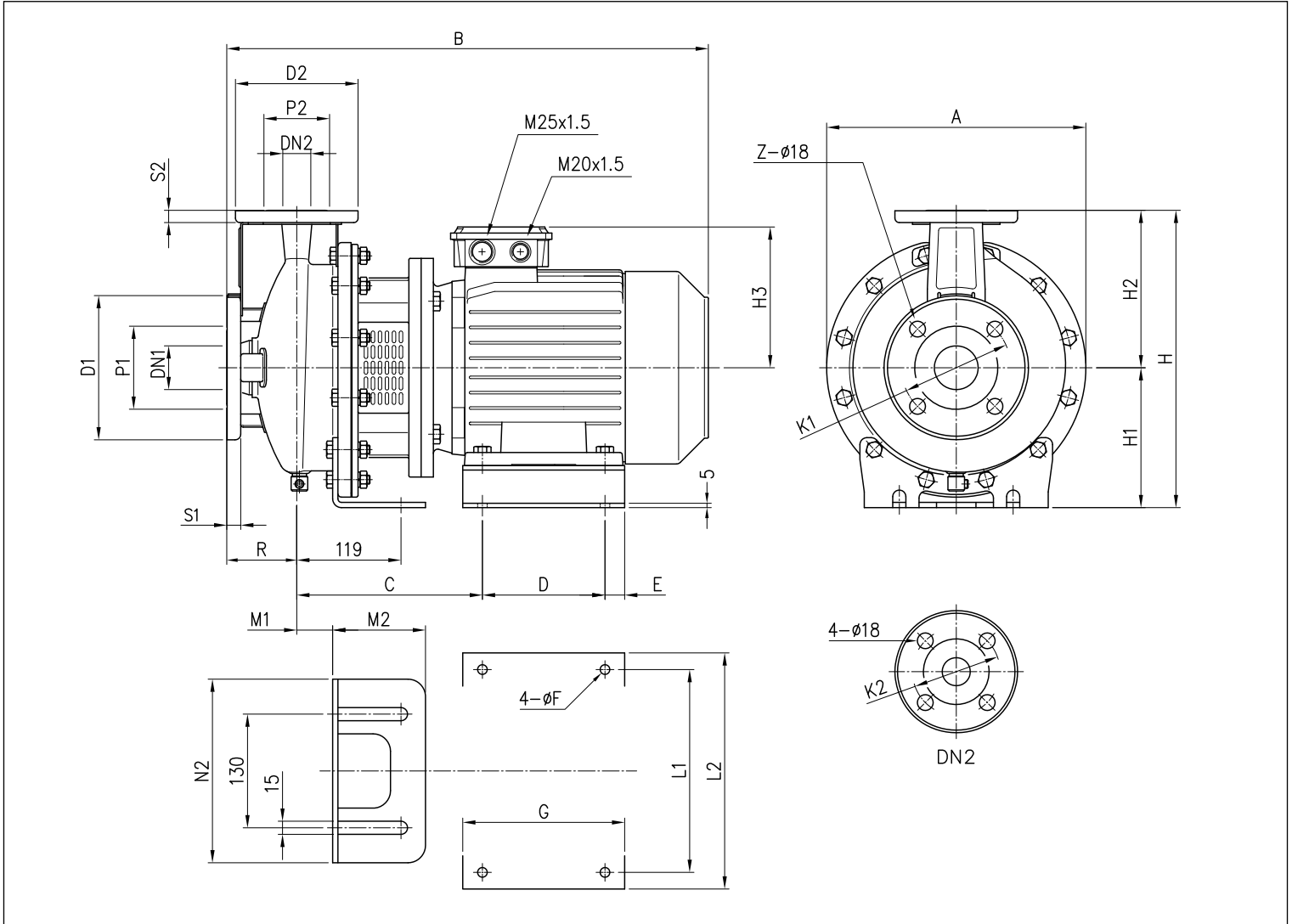
Model	Dimensions [mm]																Weight [kg]
	DN1 Ø	P1 Ø	K1 Ø	D1 Ø	S1	Z	DN2 Ø	P2 Ø	K2 Ø	D2 Ø	Fig.	H	H1	H2	B	C	
50-200/15	65	115	145	185	16	4	50	95	125	165	2	360	160	200	723	190.5	105,1
65-160/15	80	134	160	200	18	8	65	115	145	185	2	360	160	200	732	199.5	107,1
65-200/15	80	134	160	200	18	8	65	115	145	185	1	405	180	225	732	-	110,1
65-200/18.5	80	134	160	200	18	8	65	115	145	185	1	405	180	225	732	-	125,3
65-200/22	80	134	160	200	18	8	65	115	145	185	1	405	180	225	732	-	136,1

[\*] Only for IE3 motors

# 3Z SERIES

CENTRIFUGAL ELECTRIC PUMPS STANDARDISED IN COMPLIANCE WITH EN 733  
(EX DIN 24255)

SECTIONAL VIEW 3LSZ 32-125/160, 32-200/3/4, 50-125/2.2, 65-125/4 SERIES



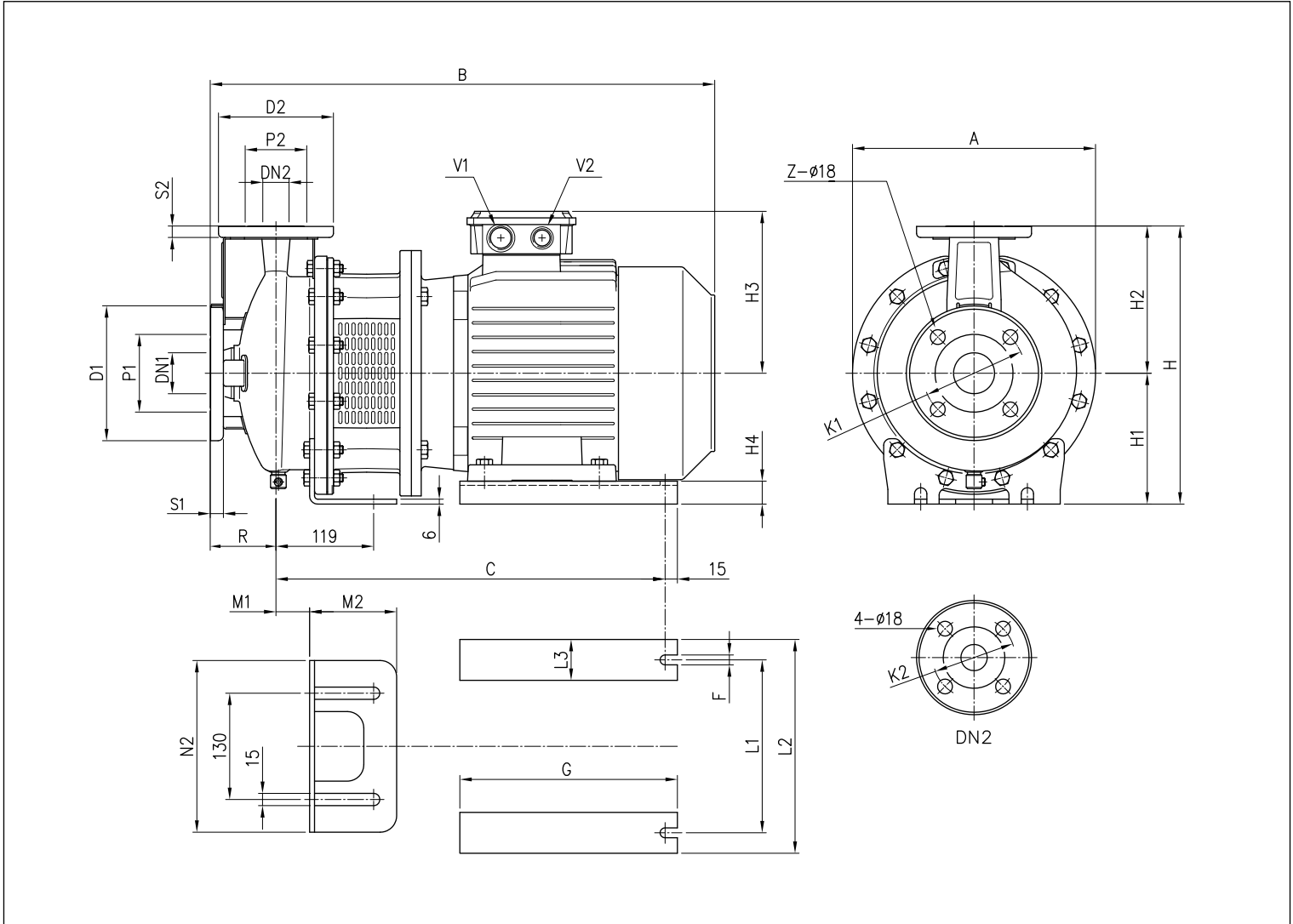
DIMENSIONAL TABLE

Model	Dimensions [mm]																							Weight [kg]						
	DN1 Ø	P1 Ø	K1 Ø	D1 Ø	S1	Z	DN2 Ø	P2 Ø	K2 Ø	D2 Ø	S2	H	H1	H2	H3	R	A	B	C	D	E	F Ø	G	L1	L2	M1	M2	N2	[*]	
32-125/1.1	50	95	125	165	16	4	32	75	100	140	14	252	112	140	139	80	213	430	168	100	15	9	130	205	225	32.5	117	190	23.1	24.7
32-160/1.5	50	95	125	165	16	4	32	75	100	140	14	292	132	160	148	80	254	477	186	125	25	9	170	210	230	42	105	210	29.8	29.8
32-160/2.2	50	95	125	165	16	4	32	75	100	140	14	292	132	160	148	80	254	477	186	125	25	9	170	210	230	42	105	210	32.4	32.4
32-200/3.0	50	95	125	165	16	4	32	75	100	140	14	340	160	180	155	80	296	528	205	140	22.5	11	185	160	202	41	106	210	46.9	46.9
32-200/4.0	50	95	125	165	16	4	32	75	100	140	14	340	160	180	171	80	296	550	212	140	22.5	11	185	190	228	41	106	210	49	49
50-125/2.2	65	115	145	185	16	4	50	95	125	165	16	292	132	160	148	100	254	497	186	125	25	9	170	210	230	42	105	210	32.9	32.9
65-125/4.0	80	134	160	200	18	8	65	115	145	185	16	340	160	180	171	100	254	570	212	140	22.5	11	185	190	228	42	105	210	50.1	50.1

# 3Z SERIES

CENTRIFUGAL ELECTRIC PUMPS STANDARDISED IN COMPLIANCE WITH EN 733 (EX DIN 24255)

SECTIONAL VIEW 3LSZ 32-200/5.5/7.5, 40-125/160, 40-200/5.5/7.5, 50-125/3/4, 50-160, 50-200/9.2, 65-125/5.5/7.5, 65-160/7.5/9.2 SERIES



DIMENSIONAL TABLE

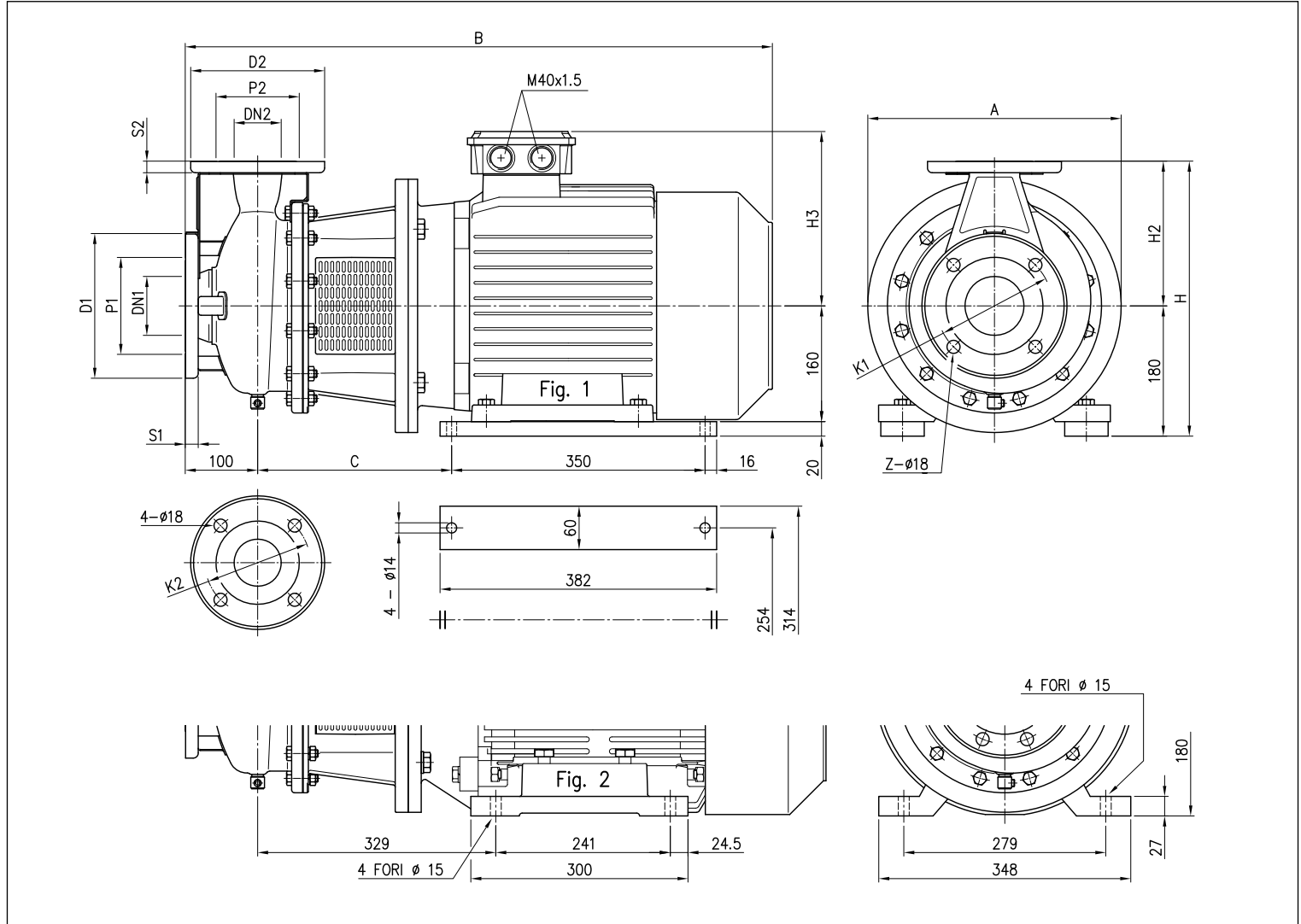
Model	Dimensions [mm]																										Weight [kg]			
	DN1 Ø	P1 Ø	K1 Ø	D1 Ø	S1	Z	DN2 Ø	P2 Ø	K2 Ø	D2 Ø	S2	H	H1	H2	H3	H4	R	A	B	C	F	G Ø	L1	L2	L3	M1	M2	N2	[*]	[*]
32-200/5.5	50	95	125	165	16	4	32	75	100	140	14	340	160	180	198	28	80	300	607	479	12	270	216	266	50	41	106	210	71.8	71.8
32-200/7.5	50	95	125	165	16	4	32	75	100	140	14	340	160	180	198	28	80	300	607	479	12	270	216	266	50	41	106	210	-	87
40-125/1.5	65	115	145	185	16	4	40	80	110	150	14	252	112	140	148	22	80	213	477	342	10	186	140	185	45	32.5	117	190	26.5	26.5
40-125/2.2	65	115	145	185	16	4	40	80	110	150	14	252	112	140	148	22	80	213	477	342	10	186	140	185	40	32.5	117	190	29.5	29.5
40-160/3.0	65	115	145	185	16	4	40	80	110	150	14	292	132	160	155	32	80	254	528	387.5	12	220	160	200	50	42	105	210	42.5	42.5
40-160/4.0	65	115	145	185	16	4	40	80	110	150	14	292	132	160	171	20	80	254	550	394.5	12	220	190	240	50	42	105	210	44.6	44.6
40-200/5.5	65	115	145	185	16	4	40	80	110	150	14	340	160	180	198	28	100	300	627	479	12	270	216	266	50	41	106	210	72.2	72.2
40-200/7.5	65	115	145	185	16	4	40	80	110	150	14	340	160	180	198	28	100	300	627	479	12	270	216	266	40	41	106	210	-	82
50-125/3.0	65	115	145	185	16	4	50	95	125	165	16	292	132	160	155	32	100	254	548	387.5	12	220	160	200	50	42	105	210	35.5	35.5
50-125/4.0	65	115	145	185	16	4	50	95	125	165	16	292	132	160	171	20	100	254	570	394.5	12	220	190	240	50	42	105	210	45.6	45.6
50-160/5.5	65	115	145	185	16	4	50	95	125	165	16	340	160	180	198	28	100	300	627	479	12	270	216	266	50	41	106	210	63.8	63.8
50-160/7.5	65	115	145	185	16	4	50	95	125	165	16	340	160	180	198	28	100	300	627	479	12	270	216	266	50	41	106	210	-	91
50-200/9.2	65	115	145	185	16	4	50	95	125	165	16	360	160	200	198	28	100	300	667	479	12	270	216	266	50	41	106	210	-	90.7
65-125/5.5	80	134	160	200	18	8	65	115	145	185	16	340	160	180	198	28	100	300	627	479	12	270	216	266	50	42	105	210	60	60
65-125/7.5	80	134	160	200	18	8	65	115	145	185	16	340	160	180	198	28	100	300	627	479	12	270	216	266	50	42	105	210	-	79.4
65-160/7.5	80	134	160	200	18	8	65	115	145	185	16	360	160	200	198	28	100	300	627	479	12	270	216	266	50	41	106	210	-	82.4
65-160/9.2	80	134	160	200	18	8	65	115	145	185	16	360	160	200	198	28	100	300	667	479	12	270	216	266	50	41	106	210	-	88

[\*] Only for IE3 motors

# 3Z SERIES

CENTRIFUGAL ELECTRIC PUMPS STANDARDISED IN COMPLIANCE WITH EN 733 (EX DIN 24255)

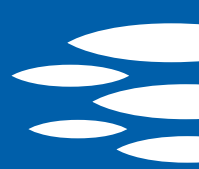
SECTIONAL VIEW 3LSZ 40-200/11, 50-200/11/15, 65-160/11/15, 62-200 SERIES



DIMENSIONAL TABLE

Model	Dimensions [mm]												Fig.	H	H2	H3	A	B	C	Weight [kg]
	DN1 Ø	P1 Ø	K1 Ø	D1 Ø	S1	Z	DN2 Ø	P2 Ø	K2 Ø	D2 Ø	S2									
40-200/11	65	115	145	185	16	4	40	80	110	150	14	1	360	180	238	350	796	258	117.8	
50-200/11	65	115	145	185	16	4	50	95	125	165	16	1	380	200	238	350	796	258	117.8	
50-200/15	65	115	145	185	16	4	50	95	125	165	16	1	380	200	238	350	796	258	147.9	
65-160/11	80	134	160	200	18	8	65	115	145	185	16	1	380	200	238	350	796	258	86.8	
65-160/15	80	134	160	200	18	8	65	115	145	185	16	1	380	200	238	350	806	268	120.9	
65-200/15	80	134	160	200	18	8	65	115	145	185	16	1	405	225	238	350	806	268	138	
65-200/18.5	80	134	160	200	18	8	65	115	145	185	16	1	405	225	238	350	850	268	137.2	
65-200/22	80	134	160	200	18	8	65	115	145	185	16	2	405	225	268	360	885	-	175	

[\*] Only for IE3 motors

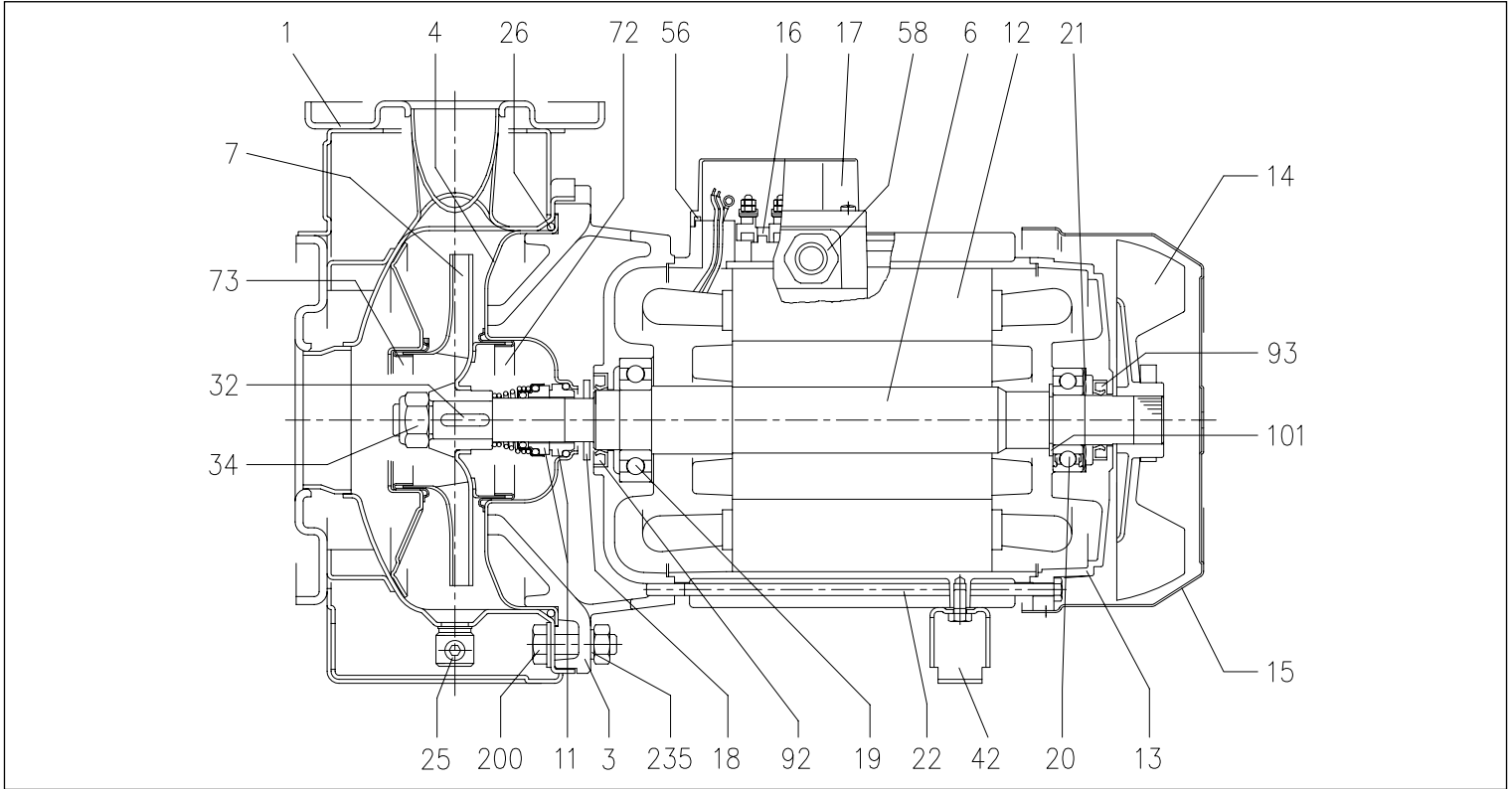


# 3 - 3L SERIES

**CENTRIFUGAL ELECTRIC PUMPS STANDARDISED IN COMPLIANCE WITH EN 733 (EX DIN 24255)**

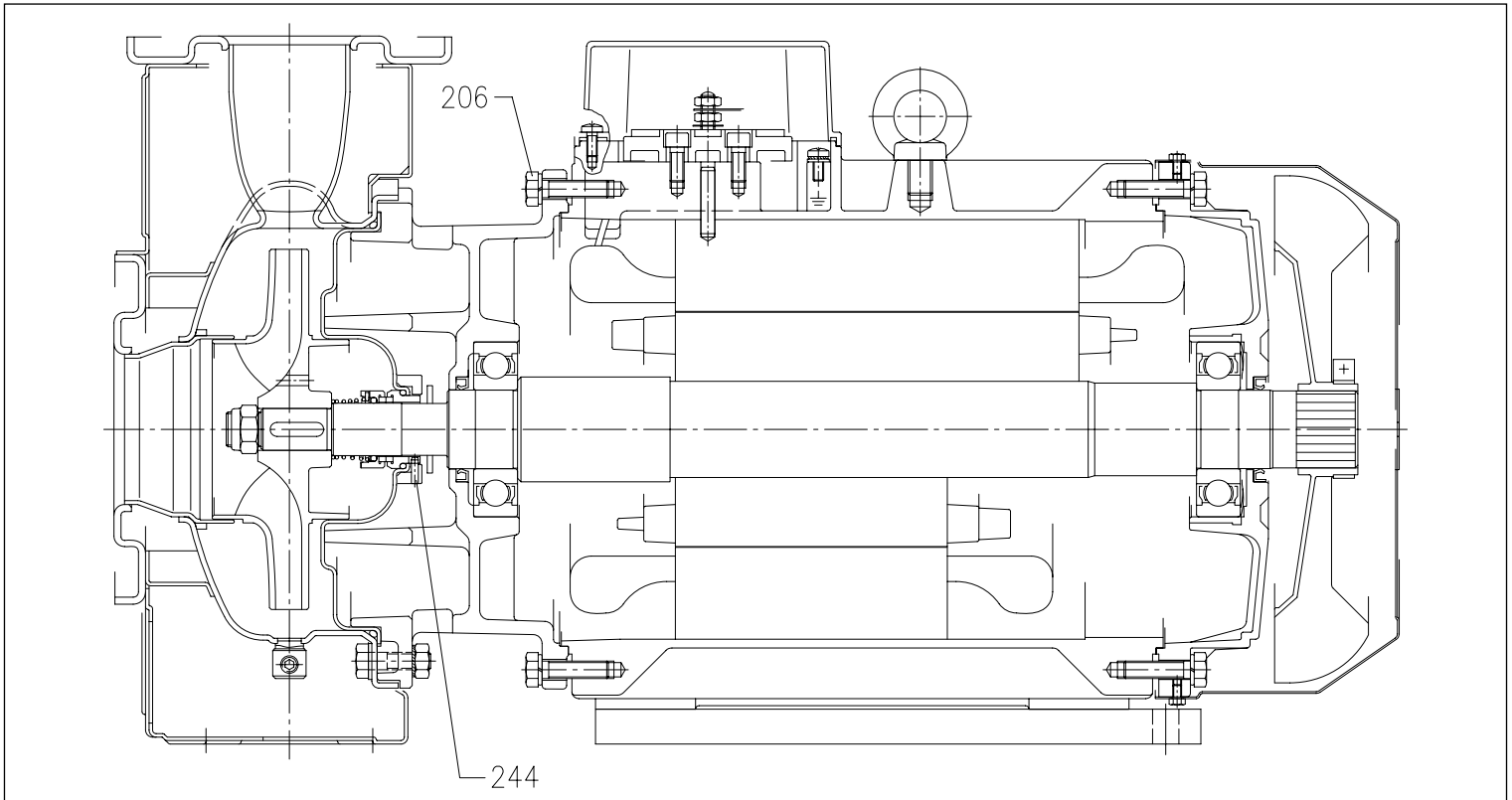
**SECTIONAL VIEW 3(L)M SERIES 32, 40, 50, 65 - up to 11 kW**

**2 Poles**



**SECTIONAL VIEW 3(L)M 32, 40, 50, 65 SERIES - from 15 kW and over**

**2 Poles**



The contents of this publication must not be regarded as binding. EBARA Pumps Europe S.p.A. reserves the right to effect any modification it deems necessary, without prior notice.



## 3 - 3L SERIES

### CENTRIFUGAL ELECTRIC PUMPS STANDARDISED IN COMPLIANCE WITH EN 733 (EX DIN 24255)

#### MATERIALS TABLE

Ref.	Name	Materials	
		3M	3LM
001	Pump casing	EN 1.4301 (AISI 304)	EN 1.4404 (AISI 316L)
003	Motor bracket	Cast iron EN-GJL-200-EN 1561	
004	Casing cover	EN 1.4301 (AISI 304)	EN 1.4404 (AISI 316L)
006	Shaft	EN 1.4301 (AISI 304)	EN 1.4404 (AISI 316L)
007	Impeller	EN 1.4301 (AISI 304)	EN 1.4404 (AISI 316L)
011	Mechanical seal	Carbon/Ceramic/NBR	SiC/SiC/FPM
012	Motor frame	-	
013	Motor cover	Aluminium	
014	Fan	PA	
015	Fan cover	Galvanised steel Fe P04	
016	Terminal box	-	
017	Terminal box cover	Aluminium (three phase version)	
018	Spray protector washer	NBR	-
019	Bearing (pump side)	-	
020	Bearing (motor side)	-	
021	Adjusting ring	Steel C70	
022	Tie-rod	Galvanised steel Fe 42	
	Screw	Galvanised Steel	
025	Plug	EN 1.4401 (AISI 316) / PTFE	
026	O-Ring	NBR	FPM
032	Key	EN 1.4401 (AISI 316)	
034	Impeller nut	EN 1.4301 (AISI 304)	EN 1.4404 (AISI 316L)
042	Motor support	Aluminium / Galvanised Steel	
056	Terminal box gasket	NBR	
058	Cable gland	-	
072	Casing ring [1]	EN 1.4301 (AISI 304)	EN 1.4404 (AISI 316L)
073	Casing ring	EN 1.4301 (AISI 304)	EN 1.4404 (AISI 316L)
092	Seal ring	-	-
093	Seal ring	-	-
101	Seeger ring	Carbon steel TC 80	
200	Screw (pump body)	Stainless steel A2 70 class ISO 3506/1	
206	Support screw [2]	Galvanised Steel	
244	Plug [3]	-	EN 1.4301 (AISI 304)

[1]= For 32-200/3, 32-200/4, 32-200/5.5, 40-200/5.5, 40-200/7.5, 40-200/11, 50-160/5.5, 50-160/7.5, 50-200/9.2, 50-200/11, 50-200/15

[2]= For 15 kW and over

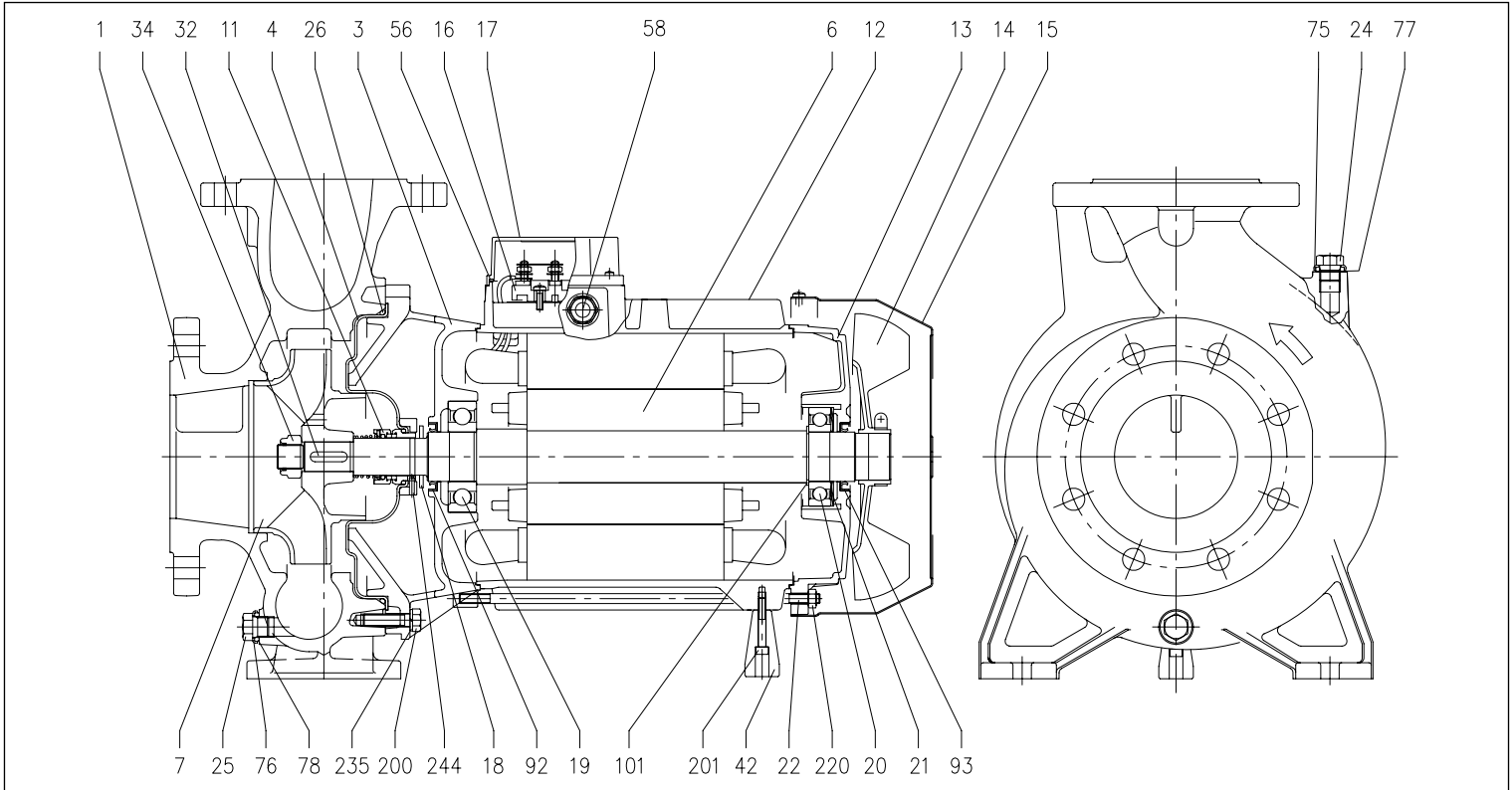
[3]= Only for 65-160/15 and 65-200

# 3 - 3L SERIES

CENTRIFUGAL ELECTRIC PUMPS STANDARDISED IN COMPLIANCE WITH EN 733  
(EX DIN 24255)

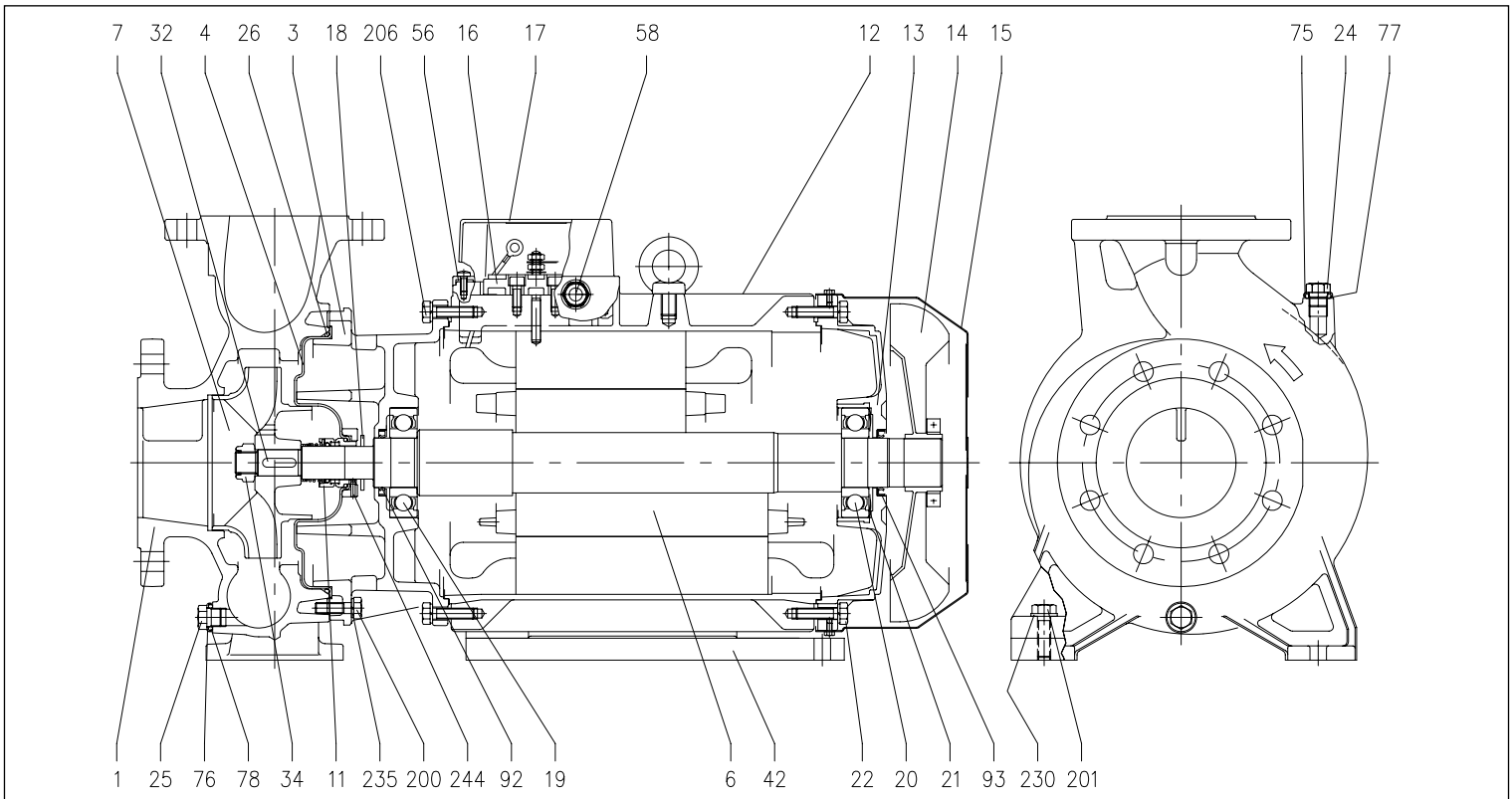
SECTIONAL VIEW 3LM SERIES 80-160/11

2 Poles



SECTIONAL VIEW 3LM SERIES 80-160/15R

2 Poles



The contents of this publication must not be regarded as binding. EBARA Pumps Europe S.p.A. reserves the right to effect any modification it deems necessary, without prior notice.

## 3 - 3L SERIES

### CENTRIFUGAL ELECTRIC PUMPS STANDARDISED IN COMPLIANCE WITH EN 733 (EX DIN 24255)

#### MATERIALS TABLE

Ref.	Name	Materials	Ref.	Name	Materials
001	Pump casing	EN 1.4401 (AISI 316)	032	Key	EN 1.4404 (AISI 316L)
003	Motor bracket	Cast iron EN-GJL-200-EN 1561	034	Impeller nut	Aluminium
004	Casing cover	EN 1.4404 (AISI 316L)	042	Motor support	Aluminium
006	Shaft	EN 1.4404 (AISI 316L) - Part in contact with the liquid	056	Terminal box gasket	NBR
007	Impeller	EN 1.4401 (AISI 316)	058	Cable gland	-
011	Mechanical seal	SiC/SiC/FPM	075	Washer	EN 1.4404 (AISI 316L)
012	Motor frame	-	076	Washer	EN 1.4404 (AISI 316L)
013	Motor cover	Aluminium	077	O-Ring	FPM
014	Fan	PA	078	O-Ring	
015	Fan cover	Galvanised steel Fe P04	092	Seal ring (11-13 kW, 15-18,5 kW)	-
016	Terminal box	-	093	Seal ring (11-13 kW, 15-18,5 kW)	-
017	Terminal box cover	Aluminium	101	Seeger ring (only for 11-13 kW)	Carbon steel TC 80
018	Spray protector washer	NBR	200	Screw (pump body)	Stainless steel A2-70 class ISO 3506/1
019	Bearing (pump side)	-	201	Screw (11-13 kW, 15-18,5 kW)	Stainless steel A2-70 class ISO 3506/1
020	Bearing (motor side)	-	206	Support screw motor (only for 15-18,5 kW)	Galvanised Steel
021	Adjusting ring	Steel C70	220	Tie-rod nut (only for 11-13 kW)	Galvanised Steel
022	Tie-rod	Galvanised Steel	230	Washer (11-13 kW, 15-18,5 kW)	Galvanised Steel
024	Plug	EN 1.4404 (AISI 316L)	235	Washer	EN 1.4301(AISI 304)
025	Plug	EN 1.4404 (AISI 316L)	244	Plug [1]	EN 1.4301(AISI 304)
026	O-Ring	FPM			

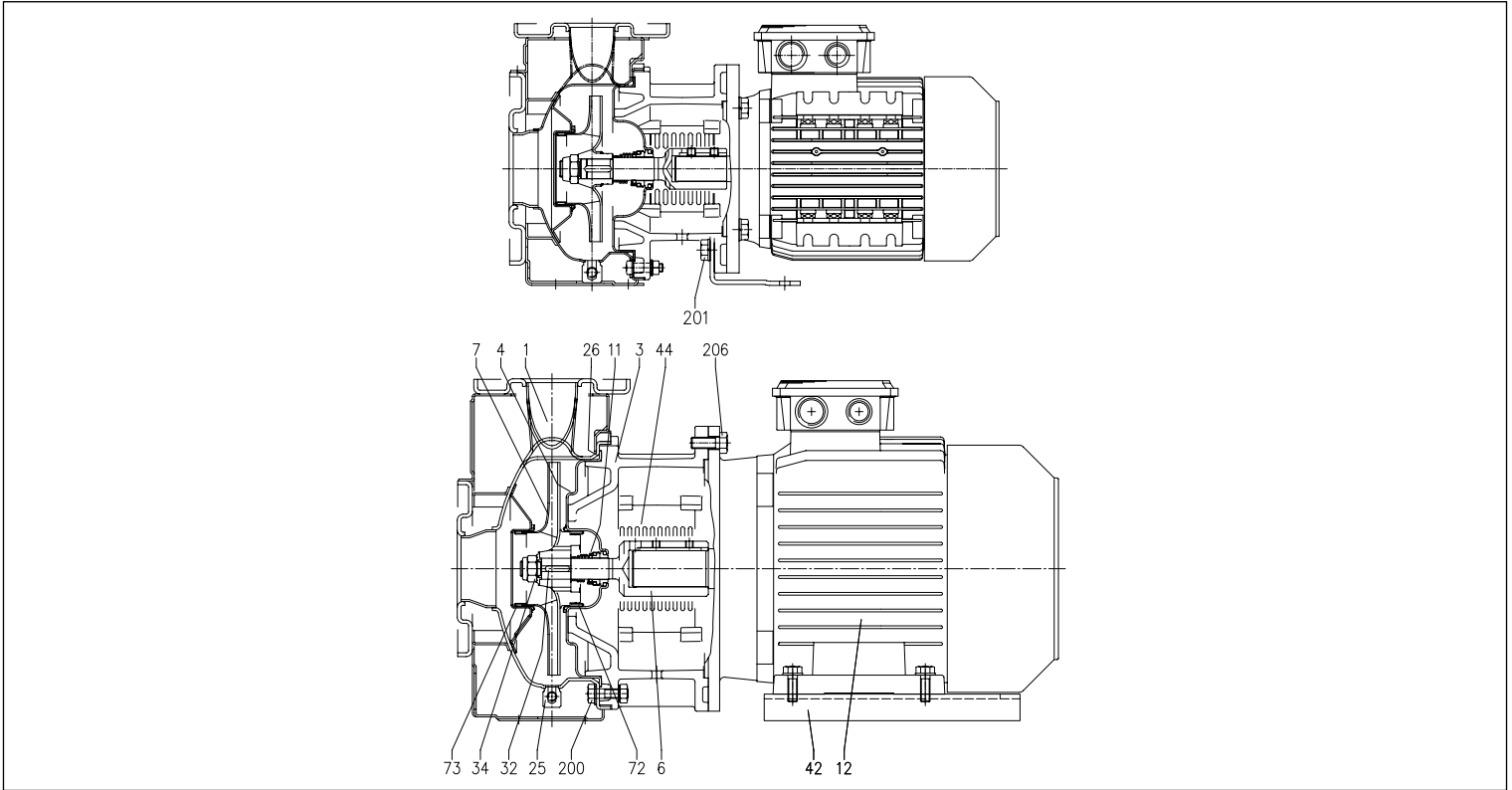
[1]= Not for H and E versions

# 3 - 3L SERIES

CENTRIFUGAL ELECTRIC PUMPS STANDARDISED IN COMPLIANCE WITH EN 733  
(EX DIN 24255)

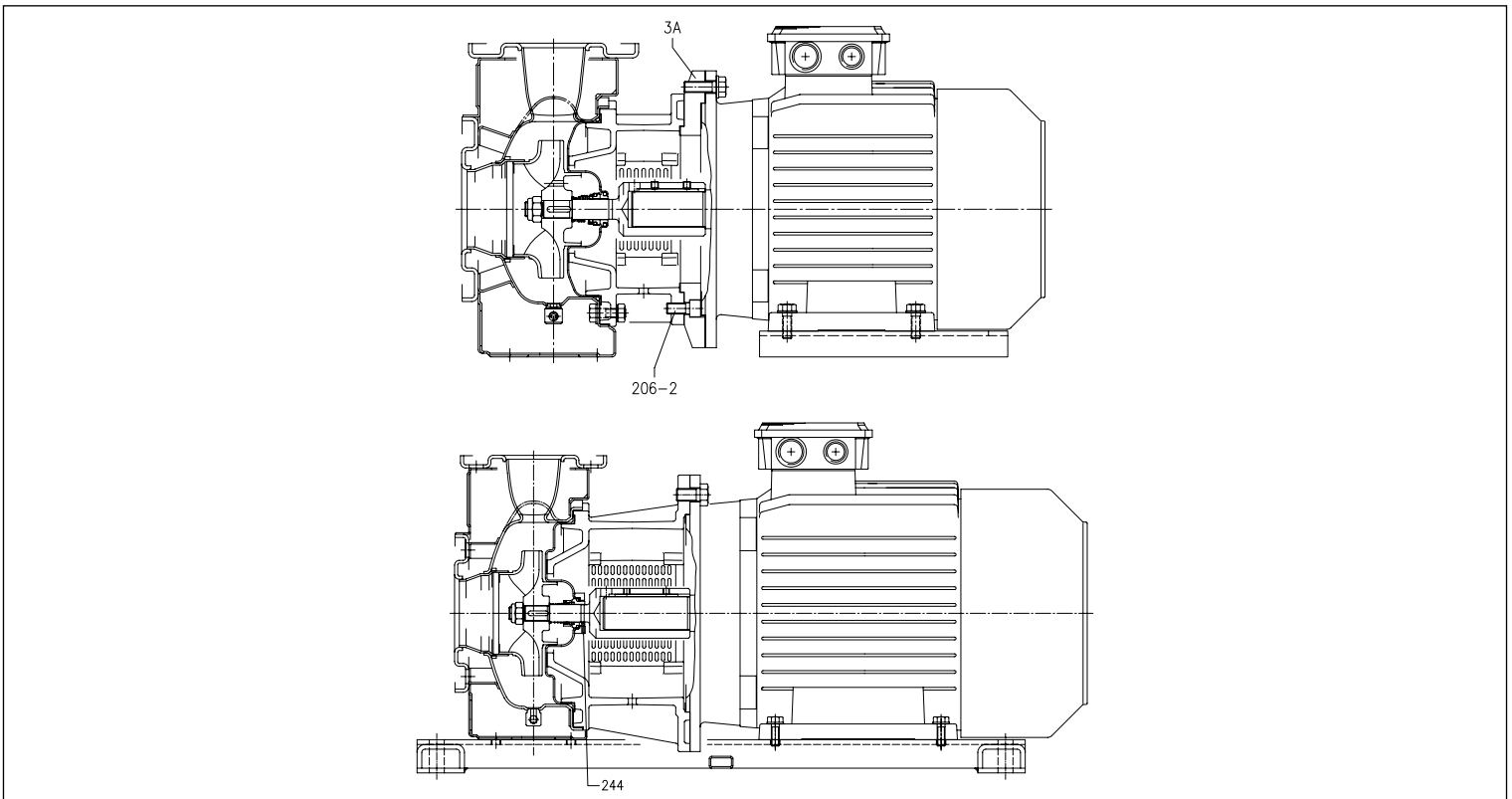
SECTIONAL VIEW 3(L)S SERIES 32, 40, 50

2 Poles



SECTIONAL VIEW 3(L)S SERIES 65

2 Poles



The contents of this publication must not be regarded as binding. EBARA Pumps Europe S.p.A. reserves the right to effect any modification it deems necessary, without prior notice.

## 3 - 3L SERIES

### CENTRIFUGAL ELECTRIC PUMPS STANDARDISED IN COMPLIANCE WITH EN 733 (EX DIN 24255)

#### MATERIALS TABLE

Ref.	Name	Materials	
		3S	3LS
001	Pump casing	EN 1.4301 (AISI 304)	EN 1.4404 (AISI 316L)
003	Motor bracket	Cast iron EN-GJL-200-EN 1561	
003A	Adapter ring [1]	Cast iron EN-GJL-200-EN 1561	
004	Casing cover	EN 1.4301 (AISI 304)	EN 1.4404 (AISI 316L)
006	Joint - Part in contact with the liquid	EN 1.4301 (AISI 304)	EN 1.4404 (AISI 316L)
007	Impeller	EN 1.4301 (AISI 304)	EN 1.4404 (AISI 316L)
011	Mechanical seal	Carbon/Ceramic/NBR	SiC/SiC/FPM
012	Motor	-	
025	Plug	EN 1.4401 (AISI 316) / PTFE	
026	O-Ring	NBR	FPM
032	Key	EN 1.4401 (AISI 316)	
034	Impeller nut	EN 1.4301 (AISI 304)	EN 1.4404 (AISI 316L)
042	Motor support	Aluminium / Galvanised Steel	
044	Support protection	EN 1.4301 (AISI 304)	
072	Casing ring [2]	EN 1.4301 (AISI 304)	EN 1.4404 (AISI 316L)
073	Casing ring (not for 65)	EN 1.4301 (AISI 304)	EN 1.4404 (AISI 316L)
200	Screw (pump body)	Stainless steel A2 70 class ISO 3506/1	
201	Screw	Galvanised Steel	
206	Support screw	Galvanised Steel	
206-2	Adapter ring screw	Galvanised Steel	
244	Plug [3]	-	EN 1.4301 (AISI 304)

[1]= For 65-125/5.5 and 65-125/7.5 versions only

[2]= For 32-200, 40-200, 50-160, 50-200 versions only

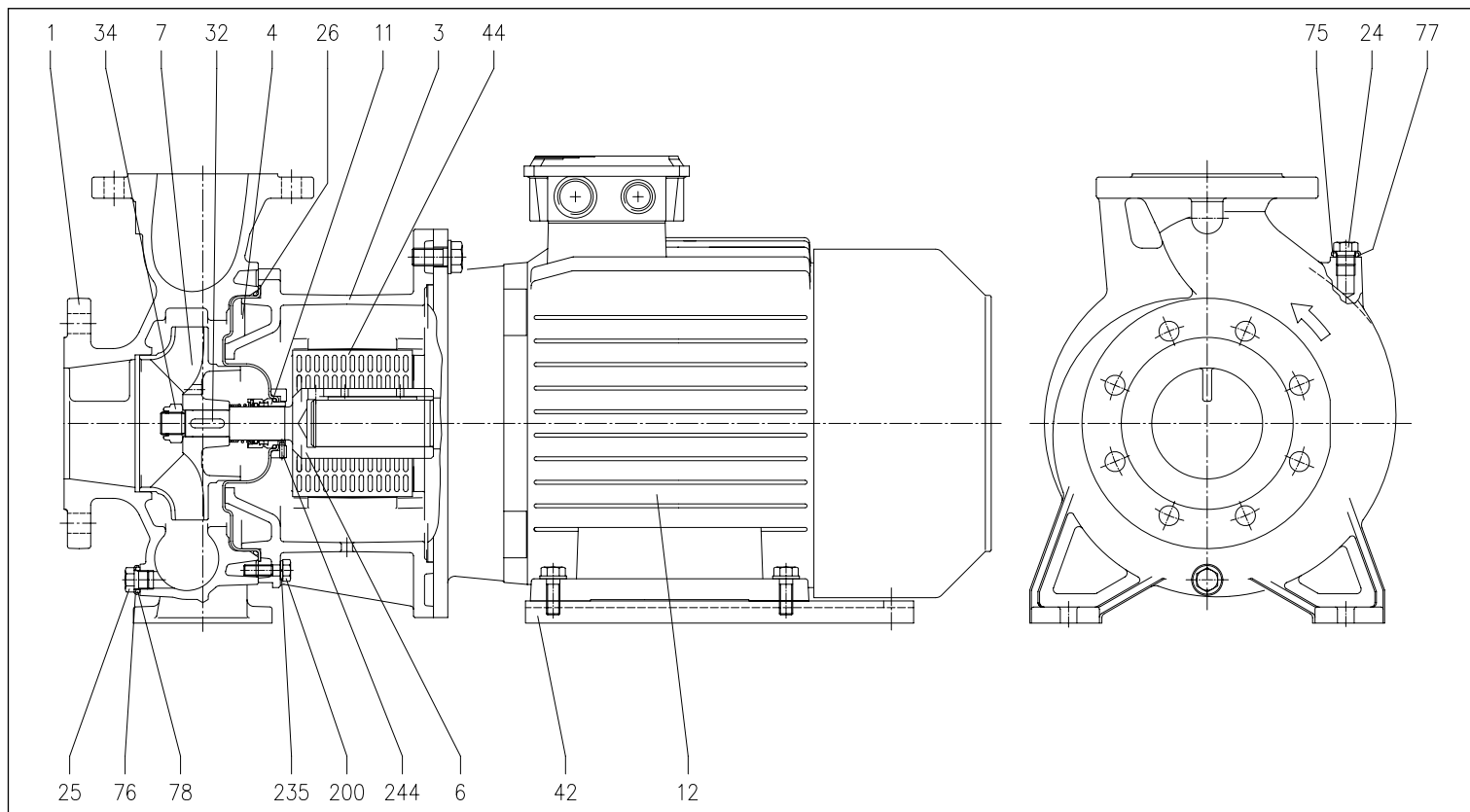
[3]= For 65-160/15, 65-200 versions only

# 3 - 3L SERIES

CENTRIFUGAL ELECTRIC PUMPS STANDARDISED IN COMPLIANCE WITH EN 733  
(EX DIN 24255)

SECTIONAL VIEW 3LS SERIES 80-160

2 Poles



MATERIALS TABLE

Ref.	Name	Materials	Ref.	Name	Materials
001	Pump casing	EN 1.4401 (AISI 316)	034	Impeller nut	EN 1.4404 (AISI 316L)
003	Motor bracket	Cast iron EN-GJL-200-EN 1561	042	Motor support	Aluminium
004	Casing cover	EN 1.4404 (AISI 316L)	044	Support protection	EN 1.4301 (AISI 304)
006	Joint	EN 1.4404 (AISI 316L)	075	Washer	EN 1.4404 (AISI 316L)
007	Impeller	EN 1.4401 (AISI 316)	076	Washer	
011	Mechanical seal	SIC/SIC/FPM	077	O-Ring	FPM
012	Motor	-	078	O-Ring	
024	Plug	EN 1.4404 (AISI 316L)	200	Screw (pump body)	Stainless steel A2-70 class ISO 3506/1
025	Plug	EN 1.4404 (AISI 316L)	235	Washer	EN 1.4301(AISI 304)
026	O-Ring	FPM	244	Plug [1]	EN 1.4301(AISI 304)
032	Key	EN 1.4401 (AISI 316)			

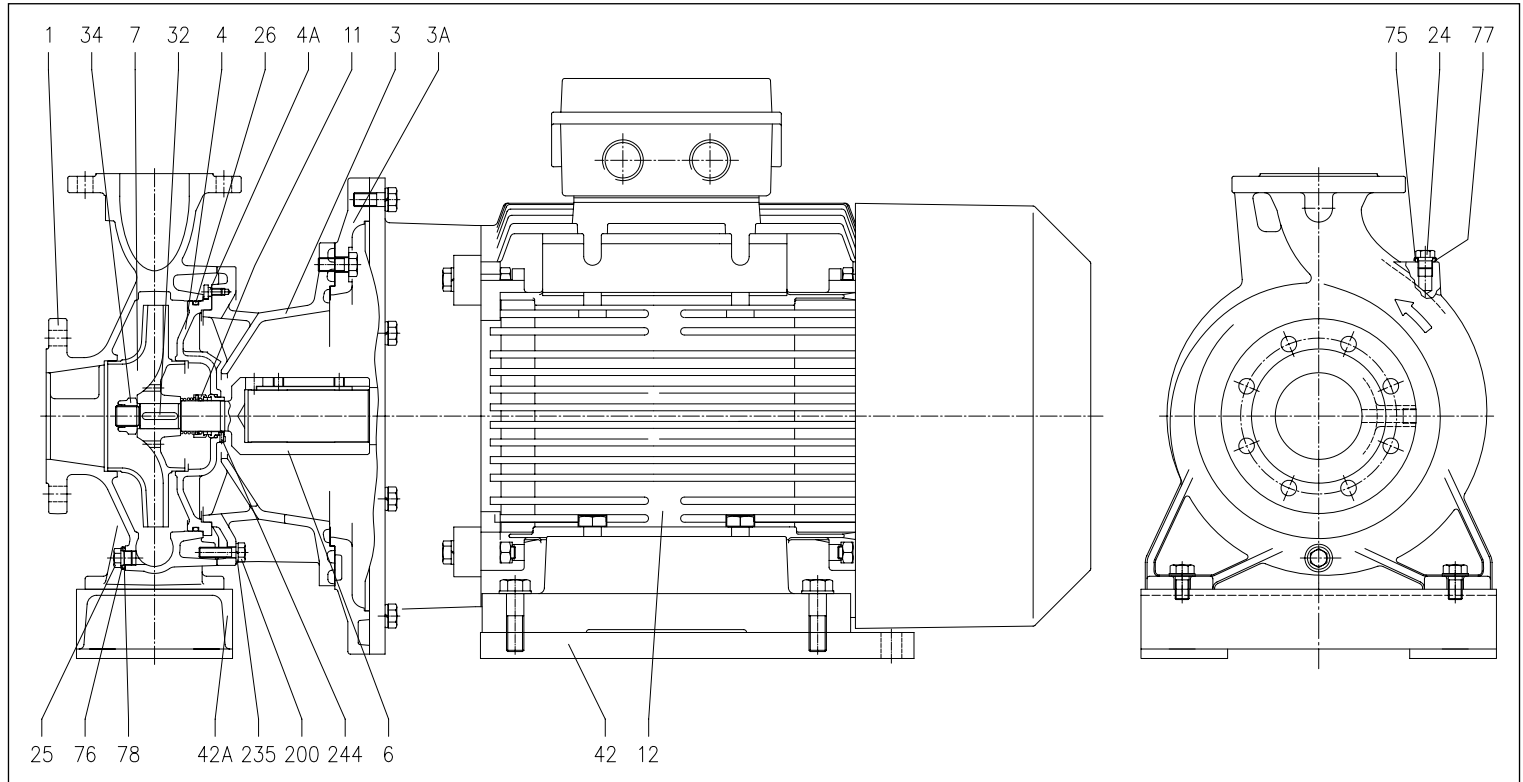
[1]= Not for H and E versions

# 3 - 3L SERIES

**CENTRIFUGAL ELECTRIC PUMPS STANDARDISED IN COMPLIANCE WITH EN 733  
(EX DIN 24255)**

## SECTIONAL VIEW 3LS SERIES 65-250, 80

2 Poles



## MATERIALS TABLE

Ref.	Name		Materials	Ref.	Name		Materials
001	Pump casing		EN 1.4401 (AISI 316)				
003	Motor bracket		Cast iron EN-GJL-200-EN 1561	032	Key	65-250 d=24 mm 80-200 d=24 mm	EN 1.4401 (AISI 316)
003A	Adapter ring		Cast iron EN-GJL-200-EN 1561			80-250 d=29 mm	
004	Casing cover		EN 1.4401 (AISI 316)			65-250 d=24 mm 80-200 d=24 mm	EN 1.4404 (AISI 316L)
004A	Casing cover screw disc		EN 1.4301(AISI 304)	034	Impeller nut	80-250 d=29 mm	
006	Joint	65-250 d=24 mm	EN 1.4462 (duplex steel) per 30-37 kW	042	Motor bracket		Aluminium
		80-200 d=24 mm	EN 1.4404 (AISI 316L) per 22 kW EN 1.4462 (duplex steel) per 30-37 kW	042A	Pump bracket		Aluminium/galvanised steel (only for 80-250/55)
		80-250 d=29 mm	EN 1.4462 (duplex steel)	075	Washer		EN 1.4404 (AISI 316L)
007	Impeller		EN 1.4401 (AISI 316)	076	Washer		
011	Mechanical seal		SiC/SiC/FPM	077	O-Ring		FPM
012	Motor		-	078	O-Ring		
024	Plug		EN 1.4404 (AISI 316L)	200	Screw (pump body)		Stainless steel A2-70 class ISO 3506/1
025	Plug		EN 1.4404 (AISI 316L)	235	Washer		EN 1.4301(AISI 304)
026	O-Ring		FPM	244	Plug [1]		EN 1.4301(AISI 304)

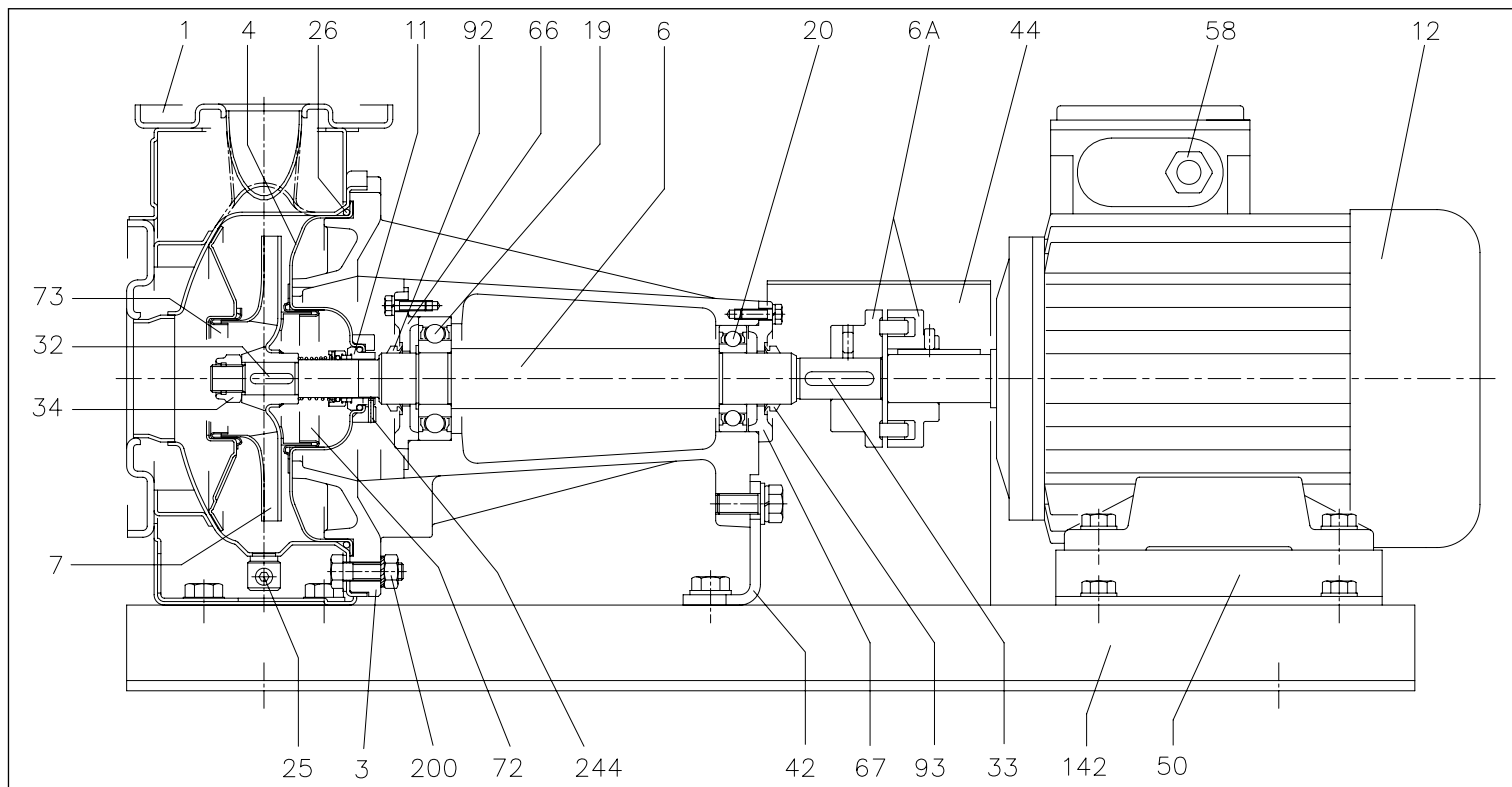
[1]= Not for H and E versions

# 3 - 3L SERIES

**CENTRIFUGAL ELECTRIC PUMPS STANDARDISED IN COMPLIANCE WITH EN 733  
(EX DIN 24255)**

SECTIONAL VIEW 3(L)P SERIES 32, 40, 50, 65

2 Poles



## MATERIALS TABLE

Ref.	Name	Materials	
		3P	3LP
001	Pump casing	EN 1.4301 (AISI 304)	EN 1.4404 (AISI 316L)
003	Motor bracket	Cast iron EN-GJL-200-EN 1561	
004	Casing cover	EN 1.4301 (AISI 304)	EN 1.4404 (AISI 316L)
006	Shaft - Part in contact with the liquid	EN 1.4301 (AISI 304)	EN 1.4404 (AISI 316L)
006A	Joint	Cast iron EN-GJL-250-EN 1561	
007	Impeller	EN 1.4301 (AISI 304)	EN 1.4404 (AISI 316L)
011	Mechanical seal	Carbon/Ceramic/NBR	SiC/SiC/FPM
012	Motor	-	-
019	Bearing (pump side)	-	-
020	Bearing (motor side)	-	-
025	Plug	EN 1.4401 (AISI 316) / PTFE	
026	O-Ring	NBR	FPM
032	Key	EN 1.4401 (AISI 316)	
033	Key	C 40	
034	Impeller nut	EN 1.4301 (AISI 304)	EN 1.4404 (AISI 316L)
042	Motor support	Fe 37 galvanised steel	
044	Joint cover	Fe 37 galvanised steel	
050	Motor support	Aluminium / Galvanised Steel	
058	Cable gland	-	
066	Bracket cover	Cast iron EN-GJL-250-EN 1561	
067	Bracket cover	Cast iron EN-GJL-250-EN 1561	
072	Casing ring [1]	EN 1.4301 (AISI 304)	EN 1.4404 (AISI 316L)
073	Casing ring	EN 1.4301 (AISI 304)	EN 1.4404 (AISI 316L)
092	V ring	-	
093	V ring	-	
142	Base	Fe 37 galvanised steel	
200	Screw (pump body)	Stainless steel A2 70 class ISO 3506/1	
244	Plug [2]	-	EN 1.4301 (AISI 304)

[1]= For 32-200/3, 32-200/4, 32-200/5.5, 40-200/5.5, 40-200/7.5, 40-200/11, 50-160/5.5, 50-160/7.5, 50-200/9.2, 50-200/11, 50-200/15 versions only

[2]= For 65-160/15 and 65-200 versions only

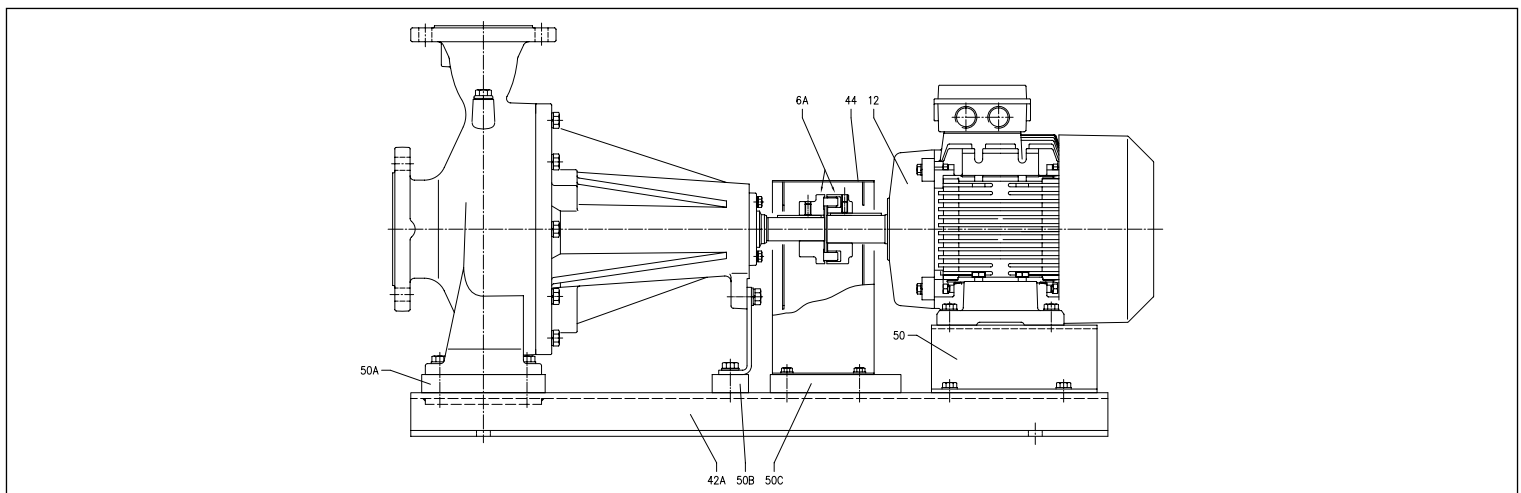
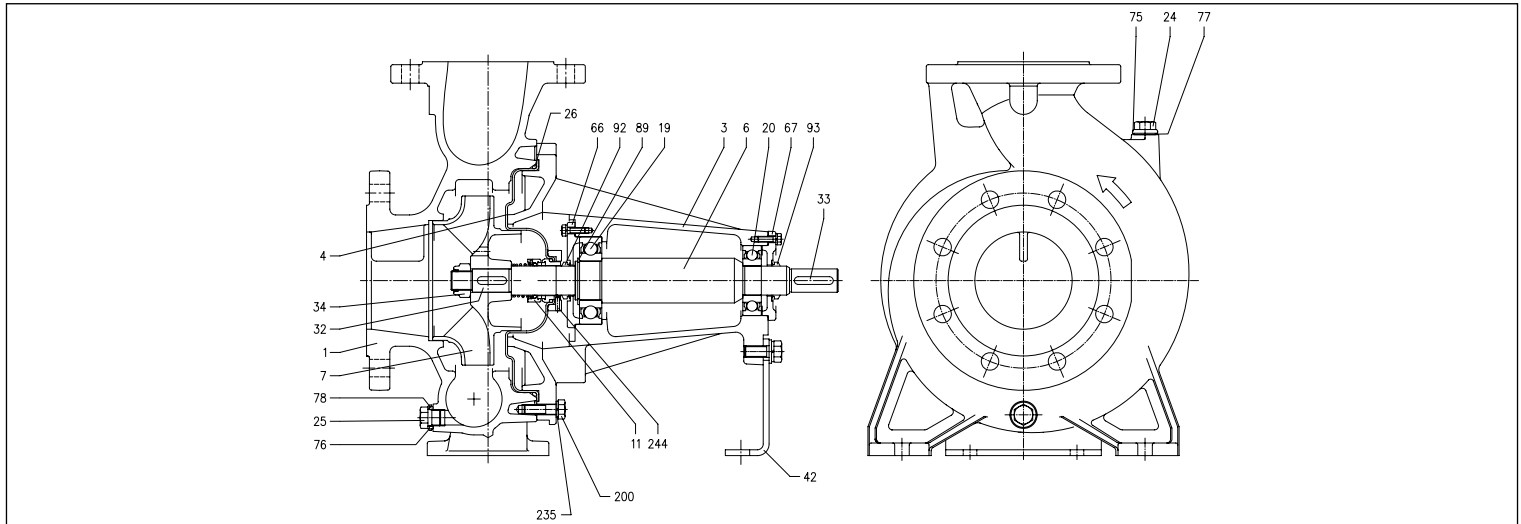


# 3 - 3L SERIES

## CENTRIFUGAL ELECTRIC PUMPS STANDARDISED IN COMPLIANCE WITH EN 733 (EX DIN 24255)

SECTIONAL VIEW 3LPF SERIES 80-160

2 Poles



### MATERIALS TABLE

Ref.	Name	Materials	Ref.	Name	Materials
001	Pump casing	EN 1.4401 (AISI 316)	050	Rest	Aluminium
003	Motor bracket	Cast iron EN-GJL-200-EN 1561	050A	Pump spacer	-
004	Casing cover	EN 1.4404 (AISI 316L)	050B	Pump spacer	-
006	Shaft	EN 1.4404 (AISI316L)	050C	Joint cover spacer	-
006A	Joint	Part in contact with the liquid	066	Bracket cover	Cast iron EN-GJL-200-EN 1561
007	Impeller	Cast iron EN-GJL-250-EN 1561	067	Bracket cover	Cast iron EN-GJL-200-EN 1561
011	Mechanical seal	SiC/SiC/FPM	075	Washer	EN 1.4404 (AISI 316L)
012	Motor	-	076	Washer	
019	Bearing (pump side)	-	077	O-Ring	FPM
020	Bearing (motor side)	-	078	O-Ring	
024	Plug	EN 1.4404 (AISI 316L)	089	Seeger ring	Carbon steel TC 80
025	Plug	EN 1.4404 (AISI 316L)	092	Seal ring	-
026	O-Ring	FPM	093	Seal ring	
032	Key	EN 1.4401 (AISI 316)	200	Screw (pump body)	Stainless steel A2 70 class ISO 3506/1
033	Key	C 40	235	Washer	EN 1.4301(AISI 304)
034	Impeller nut	EN 1.4404 (AISI 316L)	244	Plug [1]	EN 1.4301(AISI 304)
042	Motor support	Galvanised Steel			
042A	Base	Galvanised Steel			
044	Joint cover	Galvanised Steel			

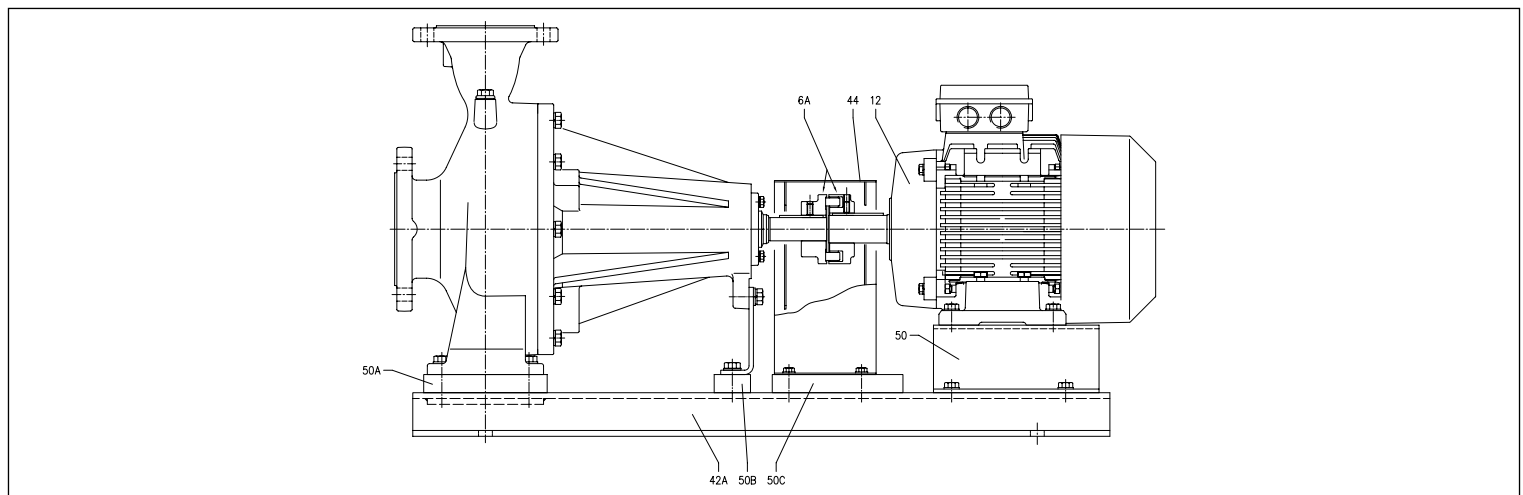
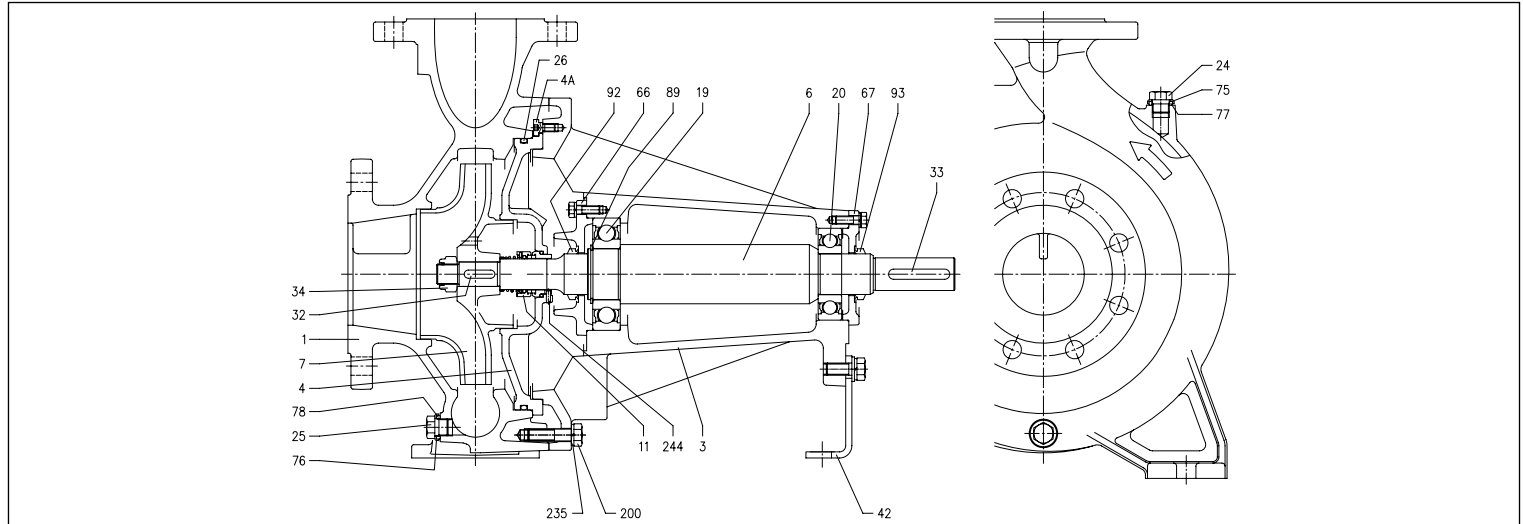
[1]= Not for H and E versions

# 3 - 3L SERIES

## CENTRIFUGAL ELECTRIC PUMPS STANDARDISED IN COMPLIANCE WITH EN 733 (EX DIN 24255)

SECTIONAL VIEW 3LPF SERIES 65-250, 80

2 Poles



### MATERIALS TABLE

Ref.	Name	Materials	Ref.	Name	Materials
001	Pump casing	EN 1.4401 (AISI 316)	042	Motor support	Galvanised Steel
003	Motor bracket	Cast iron EN-GJL-200-EN 1561	042A	Base	Galvanised Steel
004	Casing cover	EN 1.4401 (AISI 316)	044	Joint cover	Galvanised Steel
004A	Casing cover screw disc	EN 1.4301(AISI 304)	050	Motor support (only for 35-250/22 kW)	Aluminium
006	Shaft	EN 1.4462 (duplex steel) for 30-37 kW	050A	Pump spacer	Aluminium
006A	Joint	Cast iron EN-GJL-200-EN 1561	050B	Pump spacer	Aluminium
007	Impeller	EN 1.4401 (AISI316)	050C	Joint cover spacer	Aluminium
011	Mechanical seal	SiC/SiC/FPM	066	Bracket cover	Cast iron EN-GJL-200-EN 1561
012	Motor	-	067	Bracket cover	Cast iron EN-GJL-200-EN 1561
019	Bearing (pump side)	-	075	Washer	EN 1.4404 (AISI 316L)
020	Bearing (motor side)	-	076	Washer	
024	Plug	EN 1.4404 (AISI 316L)	077	O-Ring	FPM
025	Plug	EN 1.4404 (AISI 316L)	078	O-Ring	
026	O-Ring	FPM	089	Seeger ring	Carbon steel TC 80
032	Key	65-250 d=24 mm	092	Seal ring	-
		80-200 d=24 mm	093	Seal ring	-
		80-250 d=29 mm	200	Screw (pump body)	Stainless steel A2 70 class ISO 3506/1
033	Key	C 40	235	Washer	EN 1.4301 (AISI 304)
034	Impeller nut	65-250 d=24 mm	244	Plug [1]	EN 1.4301 (AISI 304)
		80-200 d=24 mm			
		80-250 d=29 mm			

[1]= Not for H and E versions

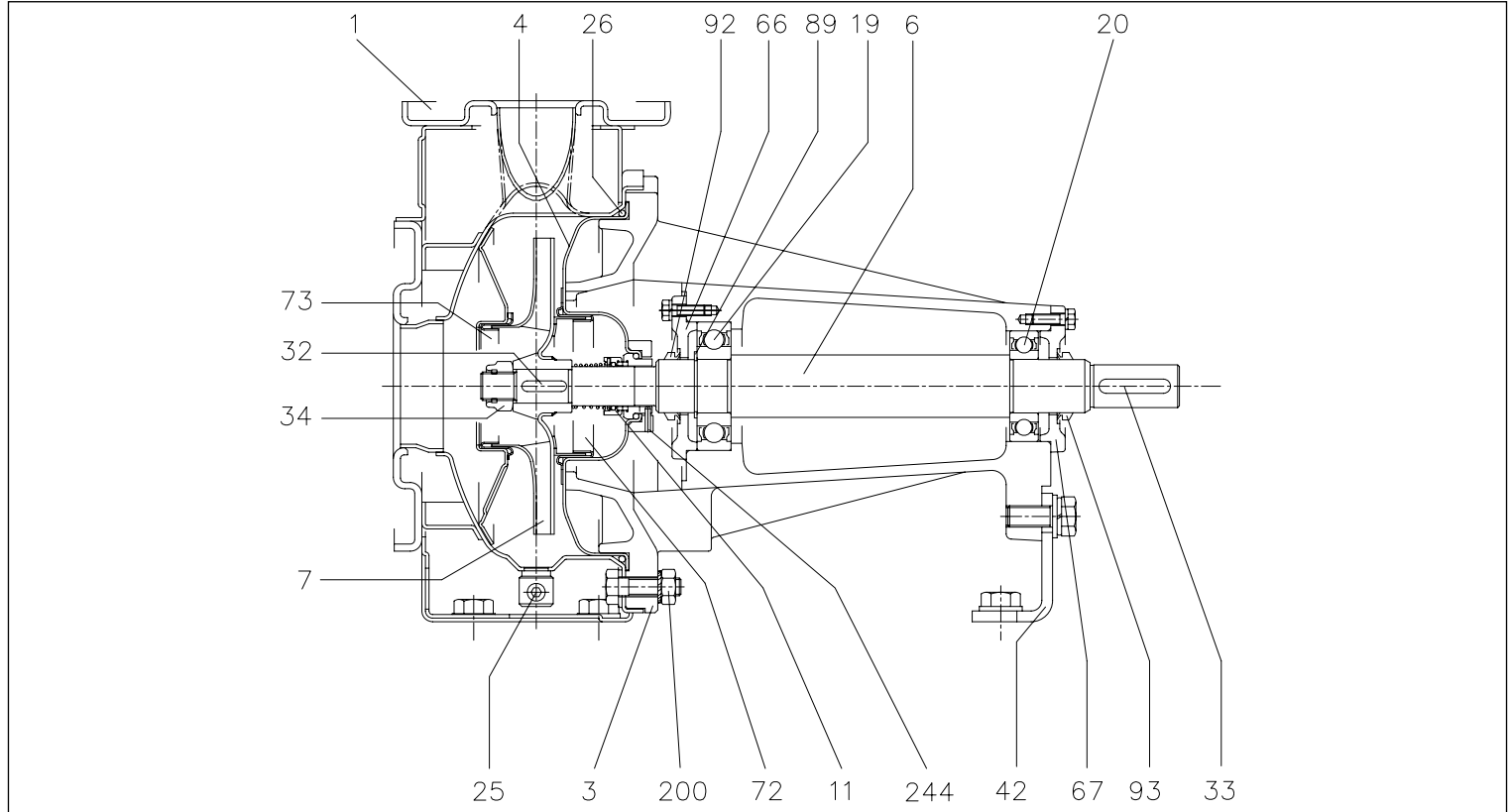
The contents of this publication must not be regarded as binding. EBARA Pumps Europe S.p.A. reserves the right to effect any modification it deems necessary, without prior notice.

# 3 - 3L SERIES

**CENTRIFUGAL ELECTRIC PUMPS STANDARDISED IN COMPLIANCE WITH EN 733 (EX DIN 24255)**

SECTIONAL VIEW 3(L)PF SERIES 32, 40, 50, 65

2 Poles



## MATERIALS TABLE

Ref.	Name	Materials	
		3P	3LP
001	Pump casing	EN 1.4301 (AISI 304)	EN 1.4404 (AISI 316L)
003	Motor bracket	Cast iron EN-GJL-200-EN 1561	
004	Casing cover	EN 1.4301 (AISI 304)	EN 1.4404 (AISI 316L)
006	Shaft - Part in contact with the liquid	EN 1.4301 (AISI 304)	EN 1.4404 (AISI 316L)
007	Impeller	EN 1.4301 (AISI 304)	EN 1.4404 (AISI 316L)
011	Mechanical seal	Carbon/Ceramic/NBR	SiC/SiC/FPM
019	Bearing (pump side)	-	-
020	Bearing (motor side)	-	-
025	Plug	EN 1.4401 (AISI 316) / PTFE	
026	O-Ring	NBR	FPM
032	Key	EN 1.4301 (AISI 304)	EN 1.4401 (AISI 316)
033	Key	C 40	
034	Impeller nut	EN 1.4301 (AISI 304)	EN 1.4404 (AISI 316L)
042	Motor support	Fe 37 galvanised steel	
066	Bracket cover	Cast iron EN-GJL-250-EN 1561	
067	Bracket cover	Cast iron EN-GJL-250-EN 1561	
072	Casing ring [1]	EN 1.4301 (AISI 304)	EN 1.4404 (AISI 316L)
073	Casing ring	EN 1.4301 (AISI 304)	EN 1.4404 (AISI 316L)
089	Seeger ring	Carbon steel TC 80	
092	Seal ring	-	-
093	Seal ring	-	-
200	Screw (pump body)	Stainless steel A2 70 class ISO 3506/1	
244	Plug [2]	-	EN 1.4301 (AISI 304)

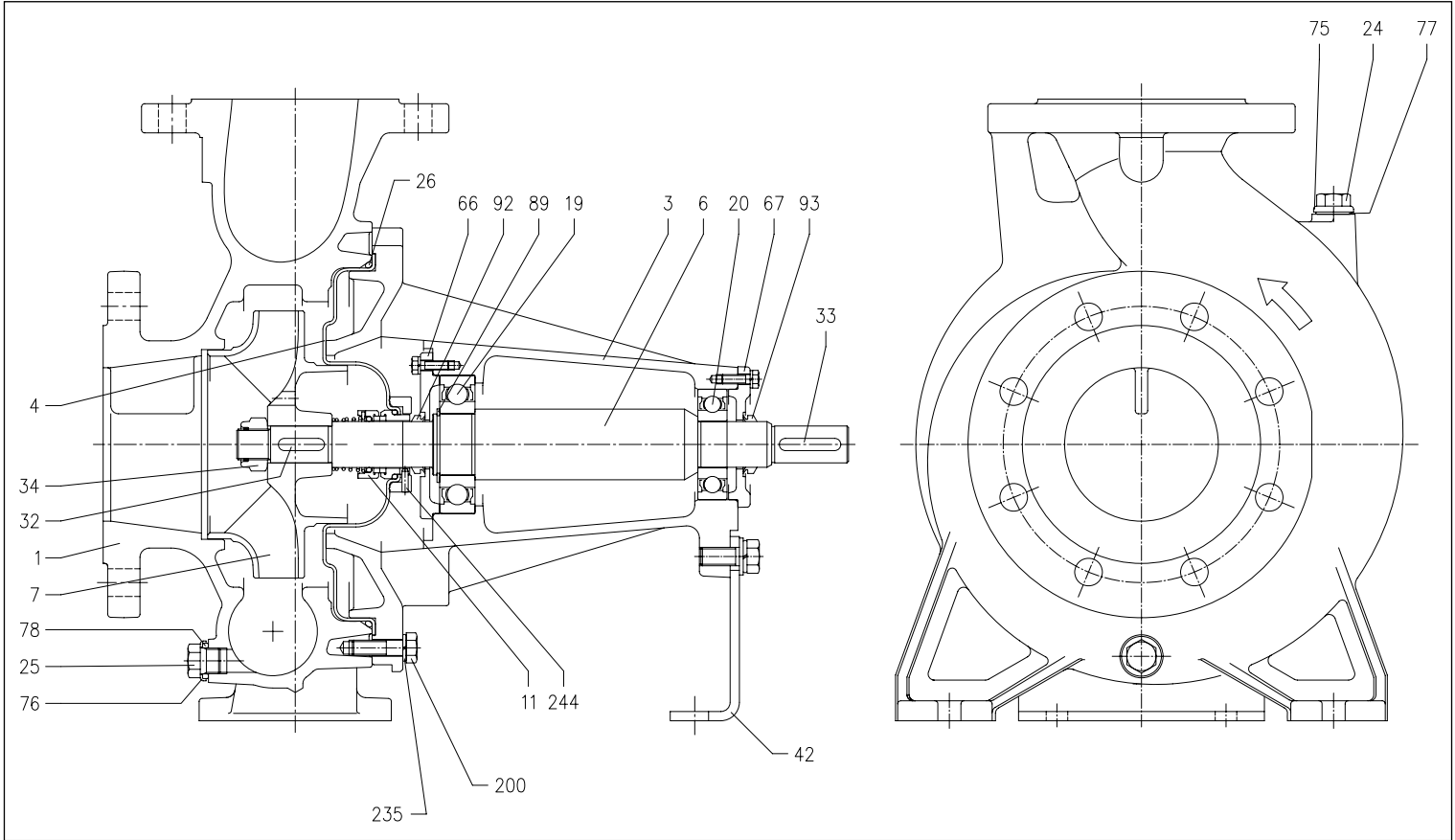
[1]= For 32-200/3, 32-200/4, 32-200/5.5, 40-200/5.5, 40-200/5.5, 40-200/7.5, 40-200/11, 50-160/5.5, 50-160/7.5, 50-200/9.2, 50-200/11, 50-200/15 versions only  
 [2]= For 65-160/15 and 65-200 versions only

# 3 - 3L SERIES

**CENTRIFUGAL ELECTRIC PUMPS STANDARDISED IN COMPLIANCE WITH EN 733 (EX DIN 24255)**

**SECTIONAL VIEW 3LPF SERIES 80-160**

**2 Poles**



**MATERIALS TABLE**

Ref.	Name	Materials	Ref.	Name	Materials
001	Pump casing	EN 1.4401 (AISI 316)	034	Impeller nut	EN 1.4404 (AISI 316L)
003	Motor bracket	Cast iron EN-GJL-200-EN 1561	042	Motor support	Galvanised Steel
004	Casing cover	EN 1.4404 (AISI 316L)	066	Bracket cover	Cast iron EN-GJL-200-EN 1561
006	Shaft	EN 1.4404 (AISI 316L)	067	Bracket cover	Cast iron EN-GJL-200-EN 1561
007	Impeller	Part in contact with the liquid EN 1.4401 (AISI 316)	075	Washer	EN 1.4404 (AISI 316L)
011	Mechanical seal	SiC/SiC/FPM	076	Washer	
			077	O-Ring	
			078	O-Ring	
019	Bearing (pump side)	-	089	Seeger ring	Carbon steel TC 80
020	Bearing (motor side)	-	092	Seal ring	
024	Plug	EN 1.4404 (AISI 316L)	093	Seal ring	-
025	Plug	EN 1.4404 (AISI 316L)	200	Body screw	Stainless steel A2 70 class ISO 3506/1
026	O-Ring	FPM	235	Washer	EN 1.4301(AISI 304)
032	Key	EN 1.4401 (AISI 316)	244	Plug [1]	EN 1.4301(AISI 304)
033	Key	C 40			

[1]= Not for H and E versions

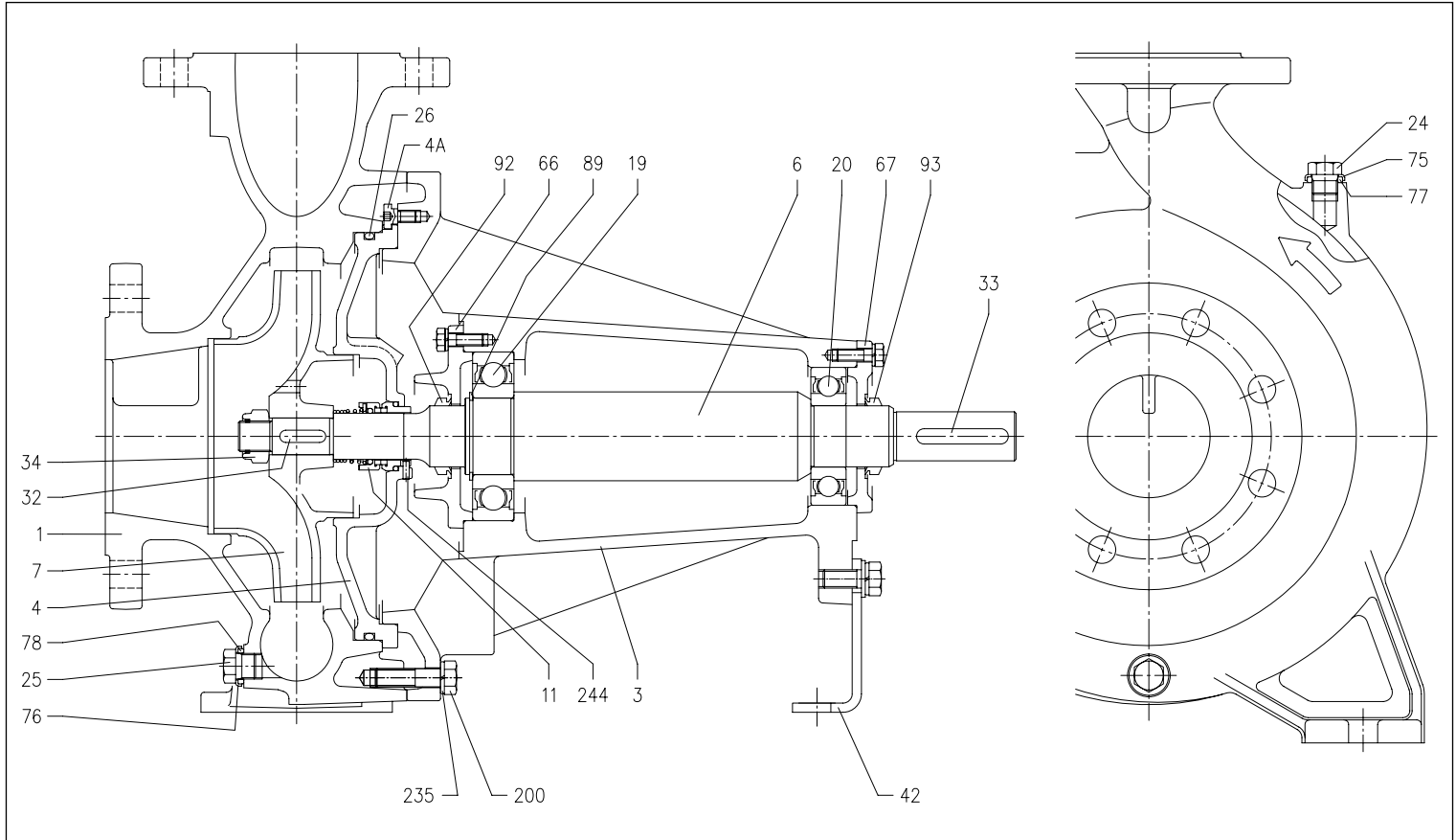
The contents of this publication must not be regarded as binding. EBARA Pumps Europe S.p.A. reserves the right to effect any modification it deems necessary, without prior notice.

# 3 - 3L SERIES

## CENTRIFUGAL ELECTRIC PUMPS STANDARDISED IN COMPLIANCE WITH EN 733 (EX DIN 24255)

SECTIONAL VIEW 3LPF SERIES 65-250, 80

2 Poles



### MATERIALS TABLE

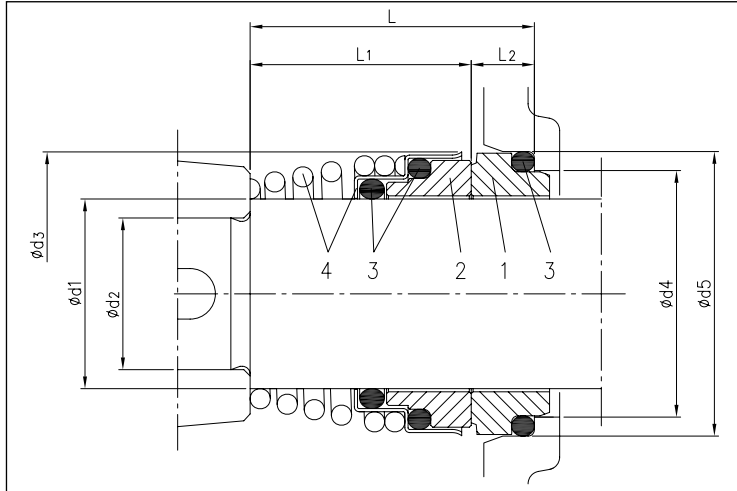
Ref.	Name		Materials	Ref.	Name		Materials
001	Pump casing		EN 1.4401 (AISI 316)	033	Key		C 40
003	Motor bracket		Cast iron EN-GJL-200-EN 1561	034	Impeller nut	65-250 d=24 mm	EN 1.4404 (AISI 316L)
004	Casing cover		EN 1.4401 (AISI 316)			80-200 d=24 mm	
004A	Casing cover screw disc		EN 1.4301 (AISI 304)			80-250 d=29 mm	
006	Shaft		EN 1.4462 (duplex steel) for 30-37 kW	042	Motor support		Galvanised Steel
007	Impeller		EN 1.4401 (AISI316)	066	Bracket cover		Cast iron EN-GJL-200-EN 1561
011	Mechanical seal		SiC/SiC/FPM	067	Bracket cover		Cast iron EN-GJL-200-EN 1561
				075	Washer		EN 1.4404 (AISI 316L)
019	Bearing (pump side)		-	076	Washer		FPM
020	Bearing (motor side)		-	077	O-Ring		
024	Plug		EN 1.4404 (AISI 316L)	078	O-Ring		Carbon steel TC 80
025	Plug		EN 1.4404 (AISI 316L)	089	Seeger ring		
026	O-Ring		FPM	092	Seal ring		-
				093	Seal ring		
032	Key	65-250 d=24 mm	EN 1.4401 (AISI 316)	200	Screw (pump body)		Stainless steel A2 70 class ISO 3506/1
		80-200 d=24 mm		235	Washer		EN 1.4301 (AISI 304)
		80-250 d=29 mm		244	Plug [1]		EN 1.4301 (AISI 304)

[1]= Not for H and E versions

# 3 - 3L SERIES

## CENTRIFUGAL ELECTRIC PUMPS STANDARDISED IN COMPLIANCE WITH EN 733 (EX DIN 24255)

### MECHANICAL SEAL standard version



### MATERIALS TABLE

Ref.	Name	Materials	
		3 SERIES	3L SERIES
1	Fixed part	Carbon	SiC
2	Rotating part	Ceramic	SiC
3	Gasket	NBR	FPM
4	Frame + spring	EN 1.4401 (AISI 316)	EN 1.4571 (AISI 316Ti)

### SPECIAL MECHANICAL SEALS 3 SERIES (on request)

Name	Materials		HSW version	HSW version	E version
	H version	HS version			
Fixed part	Carbon	SiC	Tungsten Carbide	Tungsten Carbide	Carbon
Rotating part	Ceramic	SiC	Tungsten Carbide	SiC	Ceramic
Elastomers	FPM	FPM	FPM	FPM	EPDM
Spring	AISI 316	AISI 316Ti	AISI 316	AISI 316	AISI 316Ti
Structure/Frame	AISI 316	AISI 316Ti	AISI 316	AISI 316	AISI 316Ti

### SPECIAL MECHANICAL SEALS 3 SERIESL (on request)

Name	Materials		E version*	ES version**
	H version	HW version		
Fixed part	Carbon	Tungsten Carbide	Carbon	Carbon
Rotating part	Ceramic	Tungsten Carbide	Ceramic	SiC
Elastomers	FPM	FPM	EPDM	EPDM
Spring	AISI 316	AISI 316	AISI 316Ti	AISI 316Ti
Structure/Frame	AISI 316	AISI 316	AISI 316Ti	AISI 316Ti

\* Not available for 3L SERIES 80-250 2 poles  
 \*\* Available only for 3L SERIES 80-250 2 poles

The contents of this publication must not be regarded as binding. EBARA Pumps Europe S.p.A. reserves the right to effect any modification it deems necessary, without prior notice.

# 3 - 3L SERIES

## CENTRIFUGAL ELECTRIC PUMPS STANDARDISED IN COMPLIANCE WITH EN 733 (EX DIN 24255)

ELECTRIC DATA TABLE 3(L)M SERIES

2 Poles

Single-phase	Model Three-phase	P <sub>i</sub>		Efficiency		Capacitor		Efficiency(%)			P <sub>i</sub>		Absorbed Current [A]			
		[kW]	[HP]	Single-phase	Three-phase	Single-phase µF	V <sub>c</sub>	Three-phase			Single-phase [kW]	Three-phase [kW]	Three-phase			
								50%	75%	100%			230V	230V	400V	690V
3(.)M 32-125/1.1 M	3(.)M(Z) 32-125/1.1	1.1	1.5	-	IE2	31.5	450	79.5	82.0	82.5	1.51	1.82	6.7	5.6	3.2	-
3(.)M 32-160/1.5 M	3(.)M(Z) 32-160/1.5	1.5	2.0	-	IE2	40	450	79.5	82.0	82.5	2.10	1.82	9.6	5.6	3.2	-
3(.)M 32-160/2.2 M	3(.)M(Z) 32-160/2.2	2.2	3.0	-	IE2	50	450	83.1	85.7	86.2	2.95	2.55	13.3	7.8	4.5	-
-	3(.)M(Z) 32-200/3.0	3.0	4.0	-	IE2	-	-	85.0	86.7	86.3	-	3.48	-	10.6	6.1	-
-	3(.)M(Z) 32-200/4.0	4.0	5.5	-	IE2	-	-	84.3	87.2	87.8	-	4.56	-	15.1	8.7	-
-	3(.)M(Z) 32-200/5.5	5.5	7.5	-	IE2	-	-	82.9	86.0	87.4	-	6.29	-	-	10.4	6.0
-	3(.)M(Z) 32-200/7.5	7.5	10.0	-	IE3	-	-	89.0	90.7	90.8	-	8.26	-	-	13.6	7.9
3(.)M 40-125/1.5 M	3(.)M(Z) 40-125/1.5	1.5	2.0	-	IE2	40	450	79.5	82.0	82.5	2.10	1.82	9.6	5.6	3.2	-
3(.)M 40-125/2.2 M	3(.)M(Z) 40-125/2.2	2.2	3.0	-	IE2	50	450	83.1	85.7	86.2	2.95	2.55	13.3	7.8	4.5	-
-	3(.)M(Z) 40-160/3.0	3.0	4.0	-	IE2	-	-	85.0	86.7	86.3	-	3.48	-	10.6	6.1	-
-	3(.)M(Z) 40-160/4.0	4.0	5.5	-	IE2	-	-	84.3	87.2	87.8	-	4.56	-	15.1	8.7	-
-	3(.)M(Z) 40-200/5.5	5.5	7.5	-	IE2	-	-	82.9	86.0	87.4	-	6.29	-	-	10.4	6.0
-	3(.)M(Z) 40-200/7.5	7.5	10.0	-	IE3	-	-	89.0	90.7	90.8	-	8.26	-	-	13.6	7.9
-	3(.)M(Z) 40-200/11	11.0	15.0	-	IE3	-	-	90.4	91.2	91.8	-	11.98	-	-	21.3	12.3
3(.)M 50-125/2.2 M	3(.)M(Z) 50-125/2.2	2.2	3.0	-	IE2	50	450	83.1	85.7	86.2	2.95	2.55	13.3	7.8	4.5	-
-	3(.)M(Z) 50-125/3.0	3.0	4.0	-	IE2	-	-	85.0	86.7	86.3	-	3.48	-	10.6	6.1	-
-	3(.)M(Z) 50-125/4.0	4.0	5.5	-	IE2	-	-	84.3	87.2	87.8	-	4.56	-	15.1	8.7	-
-	3(.)M(Z) 50-160/5.5	5.5	7.5	-	IE2	-	-	82.9	86.0	87.4	-	6.29	-	-	10.4	6.0
-	3(.)M(Z) 50-160/7.5	7.5	10.0	-	IE3	-	-	89.0	90.7	90.8	-	8.26	-	-	13.6	7.9
-	3(.)M(Z) 50-200/9.2	9.2	12.5	-	IE3	-	-	90.1	90.8	90.9	-	10.12	-	-	17.2	10.0
-	3(.)M(Z) 50-200/11	11.0	15.0	-	IE3	-	-	90.4	91.2	91.8	-	11.98	-	-	21.3	12.3
-	3(.)M(Z) 50-200/15	15.0	20.0	-	IE3	-	-	91.2	92.0	91.9	-	16.32	-	-	27.7	17.3
-	3(.)M(Z) 65-125/4	4.0	5.5	-	IE2	-	-	84.3	87.2	87.8	-	4.56	-	15.1	8.7	-
-	3(.)M(Z) 65-125/5.5	5.5	7.5	-	IE2	-	-	82.9	86.0	87.4	-	6.29	-	-	10.4	6.0
-	3(.)M(Z) 65-125/7.5	7.5	10.0	-	IE3	-	-	89.0	90.7	90.8	-	8.26	-	-	13.6	7.9
-	3(.)M(Z) 65-160/7.5	7.5	10.0	-	IE3	-	-	89.0	90.7	90.8	-	8.26	-	-	13.6	7.9
-	3(.)M(Z) 65-160/9.2	9.2	12.5	-	IE3	-	-	90.1	90.8	90.9	-	10.12	-	-	17.2	10.0
-	3(.)M(Z) 65-160/11	11.0	15.0	-	IE3	-	-	90.4	91.2	91.8	-	11.98	-	-	21.3	12.3
-	3(.)M(Z) 65-160/15	15.0	20.0	-	IE3	-	-	91.2	92.0	91.9	-	16.32	-	-	27.7	17.3
-	3(.)M(Z) 65-200/15	15.0	20.0	-	IE3	-	-	91.2	92.0	91.9	-	16.32	-	-	27.7	17.3
-	3(.)M(Z) 65-200/18.5	18.5	25.0	-	IE3	-	-	91.6	93.0	92.6	-	19.98	-	-	35.0	20.3
-	3(.)M(Z) 65-200/22	22.0	30.0	-	IE3	-	-	92.0	93.1	93.2	-	23.58	-	-	39.7	23.6
-	3LM 80-160/11	11.0	15.0	-	IE3	-	-	90.4	91.2	91.8	-	11.98	-	-	21.3	12.3
-	3LM 80-160/15R	15.0	20.0	-	IE3	-	-	91.2	92.0	91.9	-	16.32	-	-	27.7	17.3
-	3LM 80-160/15	15.0	20.0	-	IE3	-	-	91.2	92.0	91.9	-	16.32	-	-	27.7	17.3
-	3LM 80-160/18.5	18.5	25.0	-	IE3	-	-	91.6	93.0	92.6	-	19.98	-	-	35.0	20.3

The contents of this publication must not be regarded as binding. EBARA Pumps Europe S.p.A. reserves the right to effect any modification it deems necessary, without prior notice.

# 3 - 3L SERIES

## CENTRIFUGAL ELECTRIC PUMPS STANDARDISED IN COMPLIANCE WITH EN 733 (EX DIN 24255)

ELECTRIC DATA TABLE 3(L)S - 3(L)P SERIES

2 Poles

Model		Motor	Motor Power		Efficiency	Efficiency (%) and power factor				Absorbed Current [A]		
			[kW]	[HP]		50%	$\eta$ % 75%	100%	cos $\phi$	230V	400V	690V
3(.)S(Z) 32-125/1.1	3(.)P 32-125/1.1	80	11	11	IE2	79.5	81.2	81.5	0.78	4.3	2.5	-
					IE3	78.7	81.7	82.7	0.76	4.2	2.4	-
3(.)S(Z) 32-160/1.5	3(.)P 32-160/1.5	90S	15	15	IE2	81.0	82.8	82.8	0.80	5.5	3.2	-
					IE3	83.2	84.8	84.2	0.85	5.2	3.0	-
3(.)S(Z) 32-160/2.2	3(.)P 32-160/2.2	90L	22	22	IE2	82.5	84.0	84.0	0.85	7.6	4.4	-
					IE3	85.0	86.2	86.5	0.82	8.0	4.6	-
3(.)S(Z) 32-200/3.0	3(.)P 32-200/3.0	100L	3	3	IE2	84.1	85.8	85.5	0.84	10.2	5.9	-
					IE3	82.3	85.8	87.1	0.89	9.7	5.6	-
3(.)S(Z) 32-200/4.0	3(.)P 32-200/4.0	112M	4	4	IE2	85.2	86.4	86.1	0.86	13.5	7.8	-
					IE3	86.8	87.8	88.1	0.93	12.1	7.0	-
3(.)S(Z) 32-200/5.5	3(.)P 32-200/5.5	132S	55	55	IE2	85.8	87.4	87.3	0.88	-	10.4	6.0
					IE3	88.0	88.5	89.2	0.90	-	10.0	5.8
3(.)S(Z) 32-200/7.5	3(.)P 32-200/7.5		75	75	IE3	88.6	89.2	90.1	0.92	-	13.1	7.6
3(.)S(Z) 40-125/1.5	3(.)P 40-125/1.5	90S	15	15	IE2	81.0	82.8	82.8	0.80	5.5	3.2	-
					IE3	83.2	84.8	84.2	0.85	5.2	3.0	-
3(.)S(Z) 40-125/2.2	3(.)P 40-125/2.2	90L	22	22	IE2	82.5	84.0	84.0	0.85	7.6	4.4	-
					IE3	85.0	86.2	86.5	0.82	8.0	4.6	-
3(.)S(Z) 40-160/3.0	3(.)P 40-160/3.0	100L	3	3	IE2	84.1	85.8	85.5	0.84	10.2	5.9	-
					IE3	82.3	85.8	87.1	0.89	9.7	5.6	-
3(.)S(Z) 40-160/4.0	3(.)P 40-160/4.0	112M	4	4	IE2	85.2	86.4	86.1	0.86	13.5	7.8	-
					IE3	86.8	87.8	88.1	0.93	12.1	7.0	-
3(.)S(Z) 40-200/5.5	3(.)P 40-200/5.5	132S	55	55	IE2	85.8	87.4	87.3	0.88	-	10.4	6.0
					IE3	88.0	88.5	89.2	0.90	-	10.0	5.8
3(.)S(Z) 40-200/7.5	3(.)P 40-200/7.5		75	75	IE3	88.6	89.2	90.1	0.92	-	13.1	7.6
3(.)S(Z) 40-200/11	3(.)P 40-200/11	160M	11	11	IE3	87.4	89.8	91.2	0.89	-	19.7	11.4
3(.)S(Z) 50-125/2.2	3(.)P 50-125/2.2	90L	22	22	IE2	82.5	84.0	84.0	0.85	7.6	4.4	-
					IE3	85.0	86.2	86.5	0.82	8.0	4.6	-
3(.)S(Z) 50-125/3.0	3(.)P 50-125/3.0	100L	3	3	IE2	84.1	85.8	85.5	0.84	10.2	5.9	-
					IE3	82.3	85.8	87.1	0.89	9.7	5.6	-
3(.)S(Z) 50-125/4.0	3(.)P 50-125/4.0	112M	4	4	IE2	85.2	86.4	86.1	0.86	13.5	7.8	-
					IE3	86.8	87.8	88.1	0.93	12.1	7.0	-
3(.)S(Z) 50-160/5.5	3(.)P 50-160/5.5	132S	55	55	IE2	85.8	87.4	87.3	0.88	-	10.4	6.0
					IE3	88.0	88.5	89.2	0.90	-	10.0	5.8
3(.)S(Z) 50-160/7.5	3(.)P 50-160/7.5		75	75	IE3	88.6	89.2	90.1	0.92	-	13.1	7.6
3(.)S(Z) 50-200/9.2	3(.)P 50-200/9.2	132M	92	92	IE3	88.6	89.8	90.7	0.89	-	16.5	9.5
3(.)S(Z) 50-200/11	3(.)P 50-200/11	160M	11	11	IE3	87.4	89.8	91.2	0.89	-	19.7	11.4
3(.)S(Z) 50-200/15	3(.)P 50-200/15		15	15	IE3	91.0	91.3	91.9	0.89	-	26.7	15.4
3(.)S(Z) 65-125/4	3(.)P 65-125/4	112M	4	4	IE2	85.2	86.4	86.1	0.86	13.5	7.8	-
					IE3	86.8	87.8	88.1	0.93	12.1	7.0	-
3(.)S(Z) 65-125/5.5	3(.)P 65-125/5.5	132S	55	55	IE2	85.8	87.4	87.3	0.88	-	10.4	6.0
					IE3	88.0	88.5	89.2	0.90	-	10.0	5.8
3(.)S(Z) 65-125/7.5	3(.)P 65-125/7.5		75	75	IE3	88.6	89.2	90.1	0.92	-	13.1	7.6
3(.)S(Z) 65-160/7.5	3(.)P 65-160/7.5		75	75	IE3	88.6	89.2	90.1	0.92	-	13.1	7.6
3(.)S(Z) 65-160/9.2	3(.)P 65-160/9.2	132M	92	92	IE3	88.6	89.8	90.7	0.89	-	16.5	9.5
3(.)S(Z) 65-160/11	3(.)P 65-160/11	160M	11	11	IE3	87.4	89.8	91.2	0.89	-	19.7	11.4
3(.)S(Z) 65-160/15	3(.)P 65-160/15		15	15	IE3	91.0	91.3	91.9	0.89	-	26.7	15.4
3(.)S(Z) 65-200/15	3(.)P 65-200/15		15	15	IE3	91.0	91.3	91.9	0.89	-	26.7	15.4
3(.)S(Z) 65-200/18.5	3(.)P 65-200/18.5	160L	185	185	IE3	91.6	92.8	92.4	0.88	-	33.0	19.1
3(.)S(Z) 65-200/22	3(.)P 65-200/22	180	22	22	IE3	92.3	92.9	92.9	0.90	-	38.0	22.0
3LS 65-250/30	3LP 65-250/30	200	30	30	IE3	92.8	93.9	94.0	0.89	-	51.8	30.0
3LS 65-250/37	3LP 65-250/37		37	37	IE3	93.0	93.9	93.8	0.90	-	62.5	36.0
3LS 80-160/11	3LP 80-160/11	160M	11	11	IE3	87.4	89.8	91.2	0.89	-	19.7	11.4
3LS 80-160/15R	3LP 80-160/15R		15	15	IE3	91.0	91.3	91.9	0.89	-	26.7	15.4
3LS 80-160/15	3LP 80-160/15		15	15	IE3	91.0	91.3	91.9	0.89	-	26.7	15.4
3LS 80-160/18.5	3LP 80-160/18.5	160L	185	185	IE3	91.6	92.8	92.4	0.88	-	33.0	19.1
3LS 80-200/22	3LP 80-200/22	180	22	22	IE3	92.3	92.9	92.9	0.90	-	38.0	22.0
3LS 80-200/30	3LP 80-200/30	200	30	30	IE3	92.8	93.9	94.0	0.89	-	51.8	30.0
3LS 80-200/37	3LP 80-200/37		37	37	IE3	93.0	93.9	93.8	0.90	-	62.5	36.0
3LS 80-250/37	3LP 80-250/37		37	37	IE3	93.0	93.9	93.8	0.90	-	62.5	36.0
3LS 80-250/45	3LP 80-250/45	225	45	45	IE3	93.2	94.6	94.8	0.92	-	74.5	43.0
3LS 80-250/55	3LP 80-250/55	250	55	55	IE3	93.6	94.5	94.4	0.90	-	93.5	54.0

The contents of this publication must not be regarded as binding. EBARA Pumps Europe S.p.A. reserves the right to effect any modification it deems necessary, without prior notice.



# 3 - 3L SERIES

## CENTRIFUGAL ELECTRIC PUMPS STANDARDISED IN COMPLIANCE WITH EN 733 (EX DIN 24255)

### NOISE DATA TABLES

Single phase 230V	Model Three phase 230/400/690V	P <sub>2</sub>		L <sub>pa</sub> - dB(A)*
		[HP]	[kW]	
3(L)M 32-125/1.1 M	3(L)M 32-125/1.1	1,5	1,1	<70
3(L)M 32-160/1.5 M	3(L)M 32-160/1.5	2,0	1,5	
3(L)M 32-160/2.2 M	3(L)M 32-160/2.2	3,0	2,2	
-	3(L)M 32-200/3.0	4,0	3,0	71
-	3(L)M 32-200/4.0	5,5	4,0	75
-	3(L)M 32-200/5.5	7,5	5,5	
-	3(L)M 32-200/7.5	10,0	7,5	
3(L)M 40-125/1,5 M	3(L)M 40-125/1.5	2,0	1,5	<70
3(L)M 40-125/2.2 M	3(L)M 40-125/2.2	3,0	2,2	
-	3(L)M 40-160/3.0	4,0	3,0	71
-	3(L)M 40-160/4.0	5,5	4,0	75
-	3(L)M 40-200/5.5	7,5	5,5	
-	3(L)M 40-200/7.5	10,0	7,5	
-	3(L)M 40-200/11	15,0	11,0	80
3(L)M 50-125/2.2 M	3(L)M 50-125/2.2	3,0	2,2	<70
-	3(L)M 50-125/3.0	4,0	3,0	71
-	3(L)M 50-125/4.0	5,5	4,0	75
-	3(L)M 50-160/5.5	7,5	5,5	
-	3(L)M 50-160/7.5	10,0	7,5	
-	3(L)M 50-200/9.2	12,5	9,2	80
-	3(L)M 50-200/11	15,0	11,0	
-	3(L)M 50-200/15	20,0	15,0	
-	3(L)M 65-125/4	5,5	4,0	71
-	3(L)M 65-125/5.5	7,5	5,5	75
-	3(L)M 65-125/7.5	10,0	7,5	
-	3(L)M 65-160/7.5	10,0	7,5	
-	3(L)M 65-160/9.2	12,5	9,2	80
-	3(L)M 65-160/11	15,0	11,0	
-	3(L)M 65-160/15	20,0	15,0	
-	3(L)M 65-200/15	20,0	15,0	83-82
-	3(L)M 65-200/18.5	25,0	18,5	
-	3(L)M 65-200/22	30,0	22,0	
-	3LM 80-160/11	15,0	11,0	80
-	3LM 80-160/13	17,5	13,0	
-	3LM 80-160/15	20,0	15,0	
-	3LM 80-160/18.5	25,0	18,5	83-82

\* Mean value of several measures at 1m distance around the pump.  
Tolerance ± 2.5 dB.

### 2 Poles

Single phase 230V	Model Three phase 230/400/690V	P <sub>2</sub>		L <sub>pa</sub> - dB(A)*
		[HP]	[kW]	
3(L)S 32-125/1.1	3(L)P 32-125/1.1	1,5	1,1	<70
3(L)S 32-160/1.5	3(L)P 32-160/1.5	2	1,5	
3(L)S 32-160/2.2	3(L)P 32-160/2.2	3	2,2	
3(L)S 32-200/3.0	3(L)P 32-200/3.0	4	3	73
3(L)S 32-200/4.0	3(L)P 32-200/4.0	5,5	4	
3(L)S 32-200/5.5	3(L)P 32-200/5.5	7,5	5,5	
3(L)S 32-200/7.5	3(L)P 32-200/7.5	10	7,5	77
3(L)S 40-125/1.5	3(L)P 40-125/1.5	2	1,5	<70
3(L)S 40-125/2.2	3(L)P 40-125/2.2	3	2,2	
3(L)S 40-160/3.0	3(L)P 40-160/3.0	4	3	73
3(L)S 40-160/4.0	3(L)P 40-160/4.0	5,5	4	77
3(L)S 40-200/5.5	3(L)P 40-200/5.5	7,5	5,5	
3(L)S 40-200/7.5	3(L)P 40-200/7.5	10	7,5	
3(L)S 40-200/11	3(L)P 40-200/11	15	11	79
3(L)S 50-125/2.2	3(L)P 50-125/2.2	3	2,2	<70
3(L)S 50-125/3.0	3(L)P 50-125/3.0	4	3	73
3(L)S 50-125/4.0	3(L)P 50-125/4.0	5,5	4	77
3(L)S 50-160/5.5	3(L)P 50-160/5.5	7,5	5,5	
3(L)S 50-160/7.5	3(L)P 50-160/7.5	10	7,5	
3(L)S 50-200/9.2	3(L)P 50-200/9.2	12,5	9,2	79
3(L)S 50-200/11	3(L)P 50-200/11	15	11	
3(L)S 50-200/15	3(L)P 50-200/15	20	15	
3(L)S 65-125/4	3(L)P 65-125/4	5,5	4	73
3(L)S 65-125/5.5	3(L)P 65-125/5.5	7,5	5,5	77
3(L)S 65-125/7.5	3(L)P 65-125/7.5	10	7,5	
3(L)S 65-160/7.5	3(L)P 65-160/7.5	10	7,5	
3(L)S 65-160/9.2	3(L)P 65-160/9.2	12,5	9,2	79
3(L)S 65-160/11	3(L)P 65-160/11	15	11	
3(L)S 65-160/15	3(L)P 65-160/15	20	15	
3(L)S 65-200/15	3(L)P 65-200/15	20	15	80
3(L)S 65-200/18.5	3(L)P 65-200/18.5	25	18,5	
3(L)S 65-200/22	3(L)P 65-200/22	30	22	
3LS 65-250/30	3LP 65-250/30	40	30	82
3LS 65-250/37	3LP 65-250/37	50	37	
3LS 80-160/11	3LP 80-160/11	15	11	79
3LS 80-160/15R	3LP 80-160/15R	20	15	
3LS 80-160/15	3LP 80-160/15	20	15	
3LS 80-160/18.5	3LP 80-160/18.5	25	18,5	80
3LS 80-200/22	3LP 80-200/22	30	22	
3LS 80-200/30	3LP 80-200/30	40	30	
3LS 80-200/37	3LP 80-200/37	50	37	82
3LS 80-250/37	3LP 80-250/37	50	37	
3LS 80-250/45	3LP 80-250/45	60	45	
3LS 80-250/55	3LP 80-250/55	75	55	86

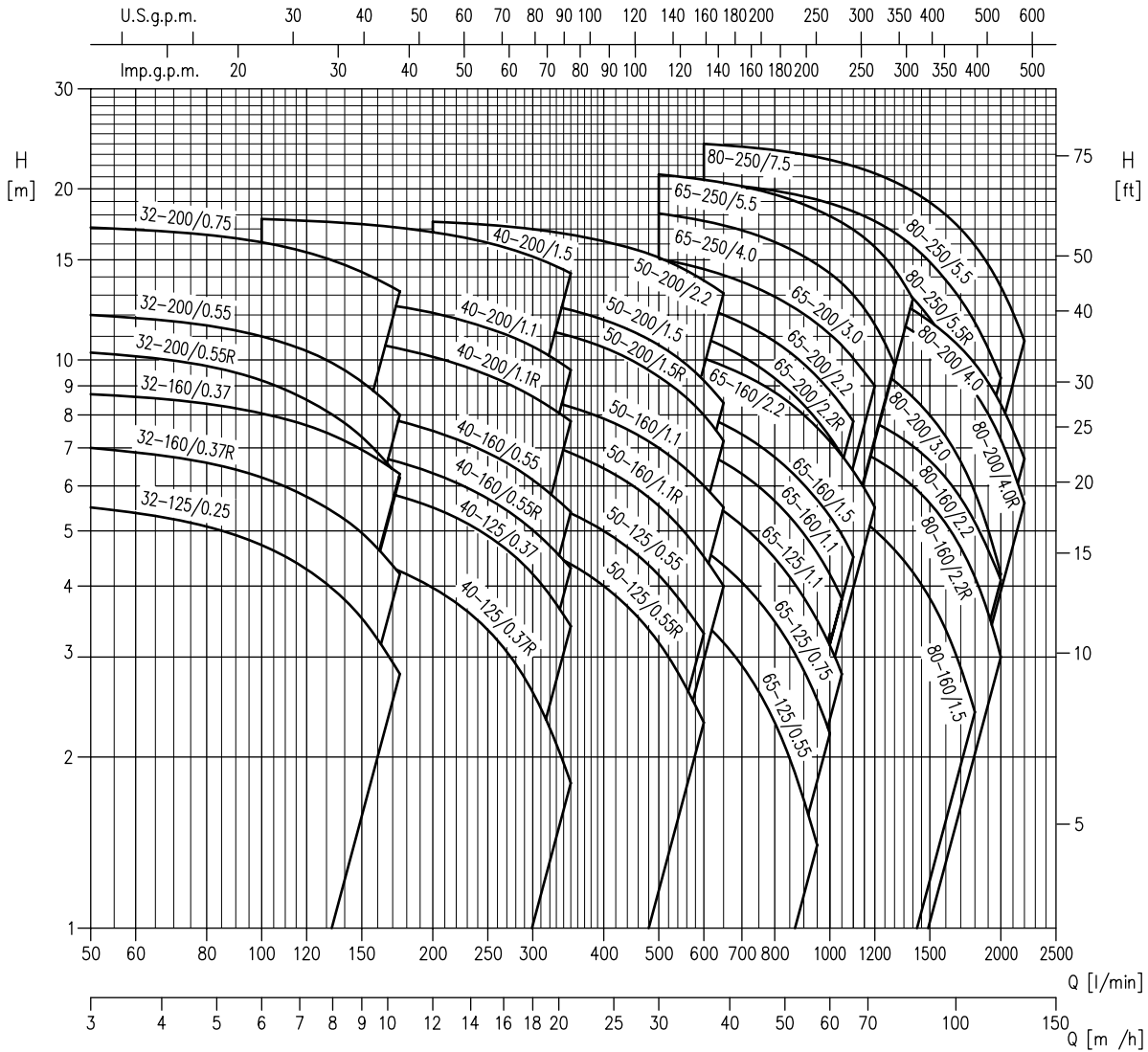
\* Mean value of several measures at 1m distance around the pump.  
Tolerance ± 2.5 dB.

# 3 - 3L SERIES

CENTRIFUGAL ELECTRIC PUMPS STANDARDISED IN COMPLIANCE WITH EN 733 (EX DIN 24255)

PERFORMANCE RANGE 3 SERIES at 1450 min<sup>-1</sup> (according to ISO 9906 Attachment A)

4 Poles



	Versions	3M4	3S4	3P4	3LM4	3LS4	3LP4
Pump	32-125	√	√	√	√	√	√
	32-160	√	√	√	√	√	√
	32-200	√	√	√	√	√	√
	40-125	√	√	√	√	√	√
	40-160	√	√	√	√	√	√
	40-200	√	√	√	√	√	√
	50-125	√	√	√	√	√	√
	50-160	√	√	√	√	√	√
	50-200	√	√	√	√	√	√
	65-125	√	√	√	√	√	√
	65-160	√	√	√	√	√	√
	65-200	√	√	√	√	√	√
	65-250	-	-	-	•	•	•
	80-160	-	-	-	•	•	•
	80-200	-	-	-	•	•	•
80-250	-	-	-	•	•	•	

√ = Models also available in the H-HS-HW-HSW-E versions for 32, 40, 50, 65-125/160/200

• = Models also available in the H-HW-HSW-E versions for 65-250, 80

# 3 - 3L SERIES

## CENTRIFUGAL ELECTRIC PUMPS STANDARDISED IN COMPLIANCE WITH EN 733 (EX DIN 24255)

PERFORMANCE TABLE 32-40-50

4 Poles

Model	P <sub>1</sub>		Q=Flow rate												
	[HP]	[kW]	l/min m <sup>3</sup> /h	50 3	100 6	150 9	175 10,5	200 12	250 15	300 18	350 21	400 24	500 30	600 36	650 39
			H=Head (m)												
32-125/0.25	0,33	0,25	5,5	4,7	3,5	2,8	-	-	-	-	-	-	-	-	-
32-160/0.37R	0,5	0,37	7,0	6,2	5,0	4,2	-	-	-	-	-	-	-	-	-
32-160/0.37	0,5	0,37	8,7	8,1	7,0	6,3	-	-	-	-	-	-	-	-	-
32-200/0.55R	0,75	0,55	10,3	9,2	7,3	6,2	-	-	-	-	-	-	-	-	-
32-200/0.55	0,75	0,55	12,0	11,0	9,2	8,0	-	-	-	-	-	-	-	-	-
32-200/0.75	1	0,75	17,1	16,1	14,3	13,2	-	-	-	-	-	-	-	-	-
40-125/0.37R	0,5	0,37	-	4,8	4,5	4,3	4,0	3,4	2,6	1,8	-	-	-	-	-
40-125/0.37	0,5	0,37	-	6,3	6,0	5,8	5,5	4,9	4,2	3,4	-	-	-	-	-
40-160/0.55R	0,75	0,55	-	7,3	6,9	6,6	6,3	5,7	5,0	4,3	-	-	-	-	-
40-160/0.55	0,75	0,55	-	8,6	8,1	7,8	7,5	6,9	6,2	5,4	-	-	-	-	-
40-200/1.1R	1,5	1,1	-	11,2	10,8	10,5	10,1	9,4	8,6	7,8	-	-	-	-	-
40-200/1.1	1,5	1,1	-	13,2	12,7	12,4	12,1	11,4	10,6	9,6	-	-	-	-	-
40-200/1.5	2	1,5	-	17,7	17,3	17,1	16,8	16,1	15,2	14,2	-	-	-	-	-
50-125/0.55R	0,75	0,55	-	-	-	-	5,2	5,0	4,7	4,4	4,0	3,2	2,3	-	-
50-125/0.55	0,75	0,55	-	-	-	-	6,2	6,0	5,7	5,4	5,0	4,2	3,3	-	-
50-160/1.1R	1,5	1,1	-	-	-	-	7,8	7,6	7,2	6,9	6,4	5,5	4,5	4,0	-
50-160/1.1	1,5	1,1	-	-	-	-	9,1	8,9	8,6	8,3	7,9	7,0	6,0	5,5	-
50-200/1.5R	2	1,5	-	-	-	-	12,1	11,8	11,4	11,0	10,5	9,3	8,0	7,2	-
50-200/1.5	2	1,5	-	-	-	-	13,3	13,0	12,7	12,2	11,8	10,6	9,2	8,4	-
50-200/2.2	3	2,2	-	-	-	-	17,5	17,3	17,0	16,6	16,2	15,1	13,8	13,1	-

PERFORMANCE TABLE 65-80

4 Poles

Model	P <sub>1</sub>		Q=Flow rate																
	[HP]	[kW]	l/min m <sup>3</sup> /h	300 18	350 21	500 30	600 36	800 48	950 57	1000 60	1050 63	1100 66	1200 72	1300 78	1400 84	1600 96	1800 108	2000 120	2200 132
			H=Head (m)																
65-125/0.55	0,75	0,55	4,8	4,6	4,0	3,5	2,3	1,4	-	-	-	-	-	-	-	-	-	-	-
65-125/0.75	1	0,75	6,0	5,8	5,2	4,6	3,5	2,5	2,2	-	-	-	-	-	-	-	-	-	-
65-125/1.1	1,5	1,1	7,2	7,0	6,3	5,7	4,5	3,5	3,2	2,8	-	-	-	-	-	-	-	-	-
65-160/1.1	1,5	1,1	-	8,1	7,4	6,9	5,7	4,6	4,2	3,8	-	-	-	-	-	-	-	-	-
65-160/1.5	2	1,5	-	9,2	8,5	8,0	6,7	5,7	5,3	4,9	4,5	-	-	-	-	-	-	-	-
65-160/2.2	3	2,2	-	11,3	10,6	10,1	8,8	7,6	7,2	6,8	6,4	5,5	-	-	-	-	-	-	-
65-200/2.2R	3	2,2	-	12,4	11,6	10,9	9,3	7,8	7,3	6,8	-	-	-	-	-	-	-	-	-
65-200/2.2	3	2,2	-	13,9	13,0	12,4	10,8	9,3	8,8	8,3	7,8	-	-	-	-	-	-	-	-
65-200/3	4	3	-	15,8	15,1	14,4	12,9	11,6	11,1	10,6	10,1	9,0	-	-	-	-	-	-	-
65-250/4	5,5	4	-	-	18,1	17,6	16,1	14,7	14,2	13,7	13,0	11,6	9,8	-	-	-	-	-	-
65-250/5.5	7,5	5,5	-	-	21,2	20,8	19,6	18,4	17,9	17,5	17,0	15,8	14,4	12,8	-	-	-	-	-
80-160/1.5	2	1,5	-	-	-	6,8	6,3	5,9	5,7	5,6	5,4	5,0	4,6	4,2	3,4	2,4	-	-	-
80-160/2.2R	3	2,2	-	-	-	8,1	7,8	7,4	7,3	7,1	7,0	6,7	6,4	6,0	5,2	4,2	3,0	-	-
80-160/2.2	3	2,2	-	-	-	9,1	8,8	8,4	8,3	8,2	8,0	7,8	7,4	7,1	6,2	5,2	4,1	-	-
80-200/3	4	3	-	-	-	12,0	11,5	10,9	10,7	10,4	10,2	9,7	9,2	8,6	7,3	5,9	4,2	-	-
80-200/4R	5,5	4	-	-	-	14,4	13,9	13,4	13,2	12,9	12,7	12,2	11,7	11,2	10,1	8,8	7,2	5,6	-
80-200/4	5,5	4	-	-	-	15,4	14,9	14,3	14,1	13,9	13,7	13,2	12,8	12,3	11,1	9,9	8,4	6,7	-
80-250/5.5R	7,5	5,5	-	-	-	17,7	17,0	16,3	16,0	15,7	15,4	14,6	13,8	12,9	10,7	8,4	-	-	-
80-250/5.5	7,5	5,5	-	-	-	20,5	19,9	19,1	18,9	18,6	18,2	17,6	16,8	15,9	13,8	11,7	9,3	-	-
80-250/7.5	10	7,5	-	-	-	24,0	23,4	22,8	22,5	22,2	21,9	21,3	20,6	19,8	18,0	15,9	13,5	10,8	-

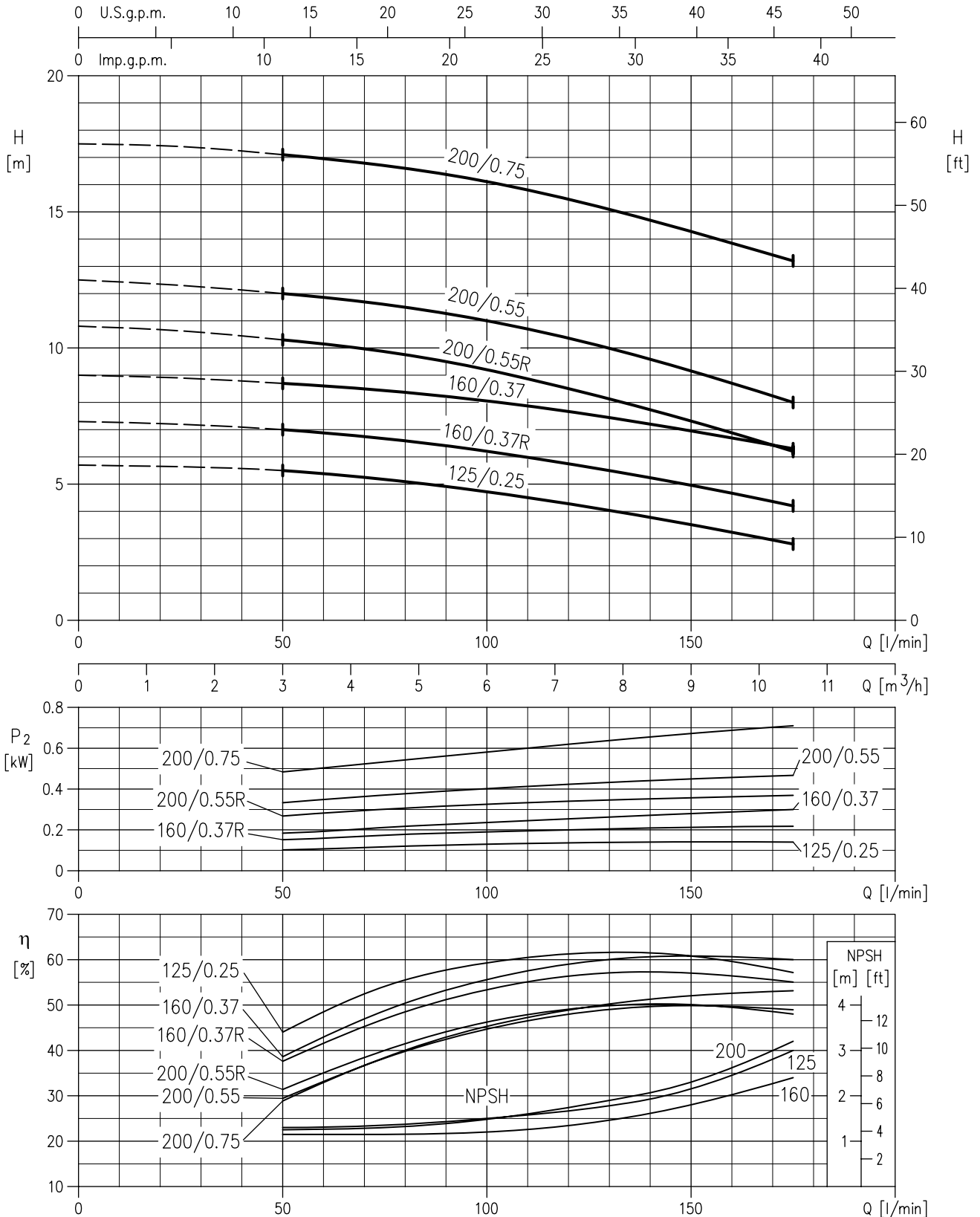
The contents of this publication must not be regarded as binding. EBARA Pumps Europe S.p.A. reserves the right to effect any modification it deems necessary, without prior notice.

# 3 - 3L SERIES

CENTRIFUGAL ELECTRIC PUMPS STANDARDISED IN COMPLIANCE WITH EN 733 (EX DIN 24255)

PERFORMANCE CURVES 3(L)M-3(L)S-3(L)P 32 SERIES at 1450 min<sup>-1</sup> (according to ISO 9906 Attachment A)

4 Poles



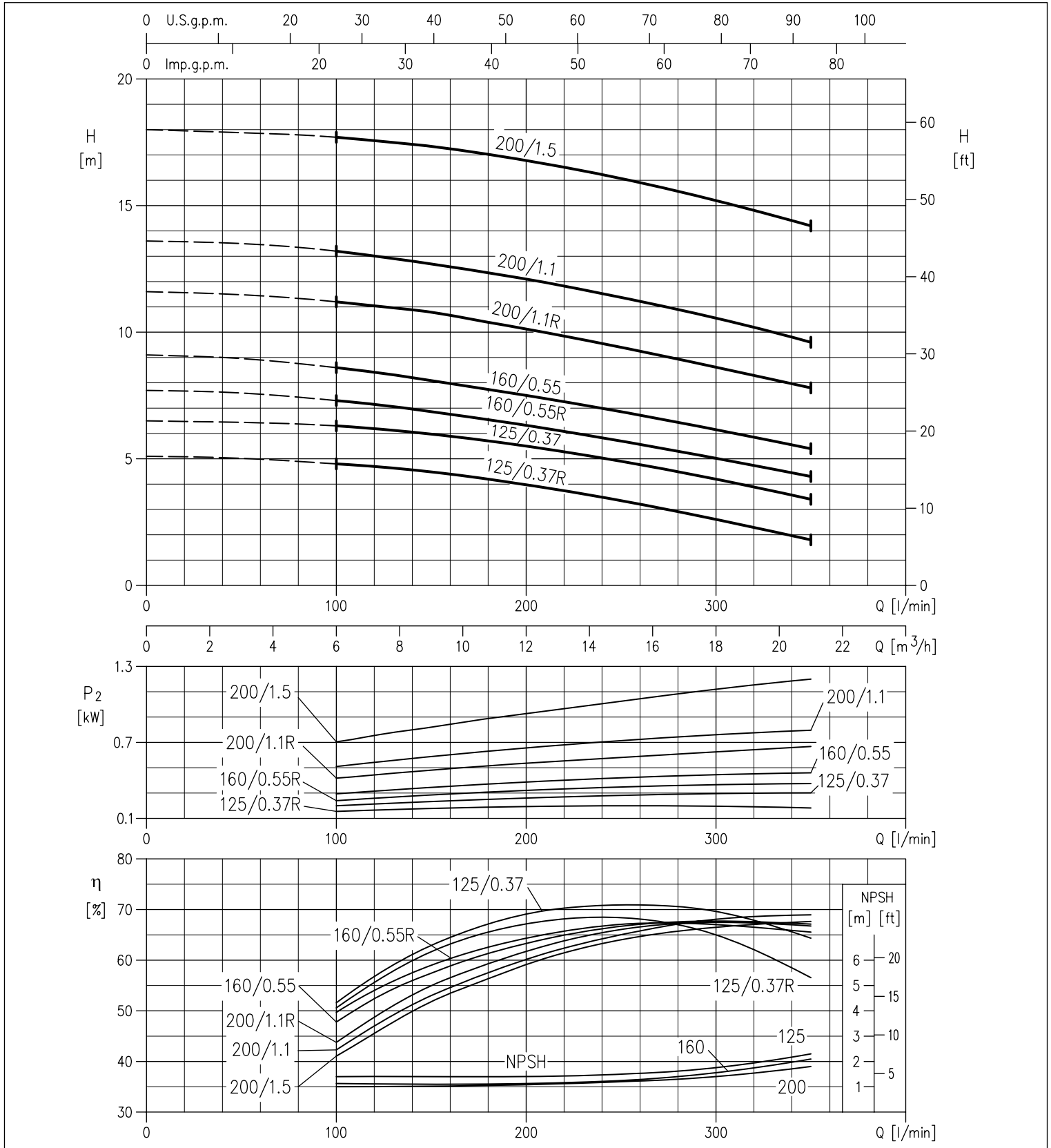
The contents of this publication must not be regarded as binding. EBARA Pumps Europe S.p.A. reserves the right to effect any modification it deems necessary, without prior notice.

# 3 - 3L SERIES

CENTRIFUGAL ELECTRIC PUMPS STANDARDISED IN COMPLIANCE WITH EN 733  
(EX DIN 24255)

PERFORMANCE CURVES 3(L)M-3(L)S-3(L)P 40 SERIES at 1450 min<sup>-1</sup> (according to ISO 9906 Attachment A)

4 Poles



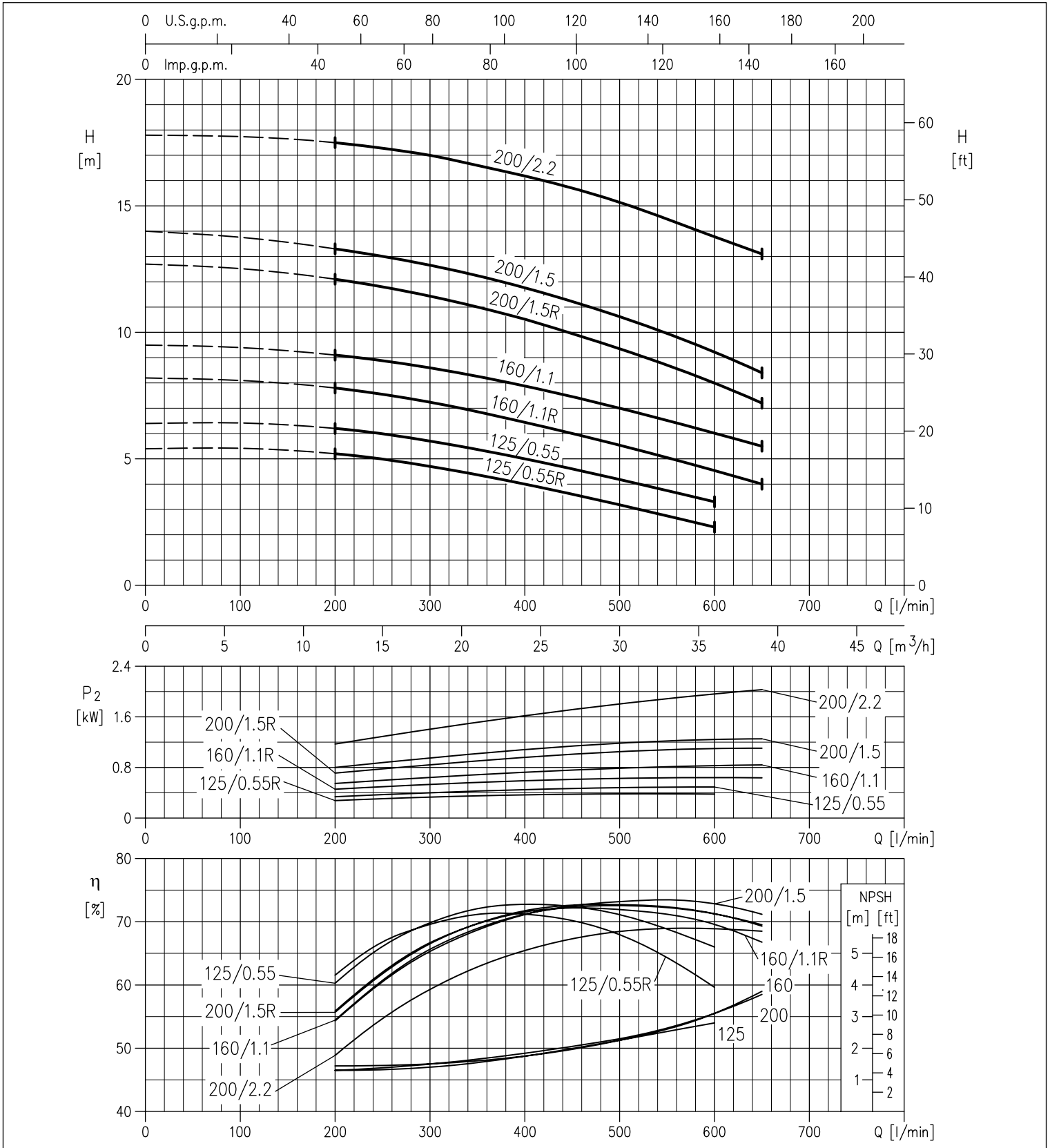
The contents of this publication must not be regarded as binding. EBARA Pumps Europe S.p.A. reserves the right to effect any modification it deems necessary, without prior notice.

# 3 - 3L SERIES

CENTRIFUGAL ELECTRIC PUMPS STANDARDISED IN COMPLIANCE WITH EN 733 (EX DIN 24255)

PERFORMANCE CURVES 3(L)M-3(L)S-3(L)P 50 SERIES at 1450 min<sup>-1</sup> (according to ISO 9906 Attachment A)

4 Poles



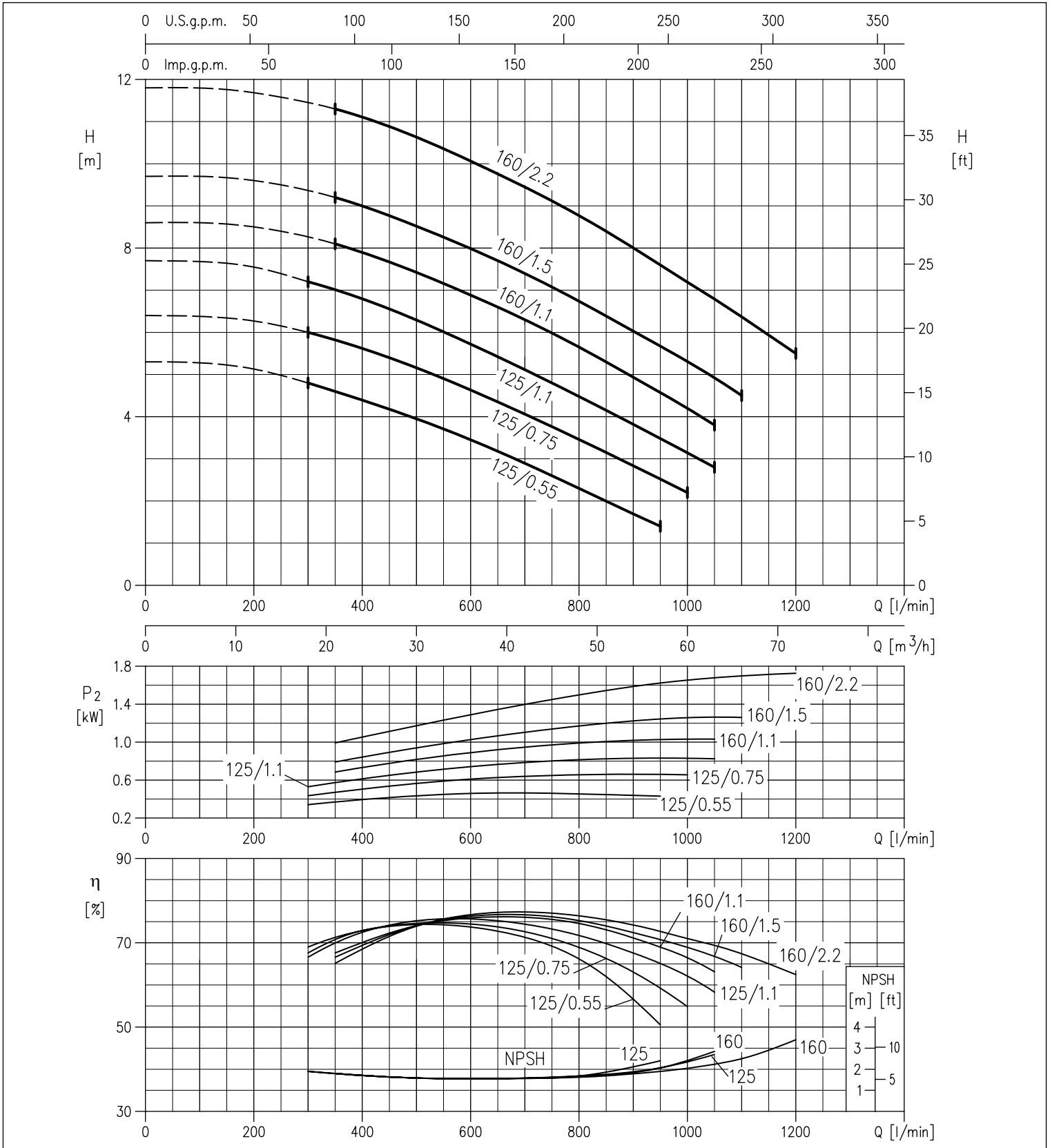
The contents of this publication must not be regarded as binding. EBARA Pumps Europe S.p.A. reserves the right to effect any modification it deems necessary, without prior notice.

# 3 - 3L SERIES

CENTRIFUGAL ELECTRIC PUMPS STANDARDISED IN COMPLIANCE WITH EN 733 (EX DIN 24255)

PERFORMANCE CURVES 3(L)M-3(L)S-3(L)P 65 SERIES at 1450 min<sup>-1</sup> (according to ISO 9906 Attachment A)

4 Poles



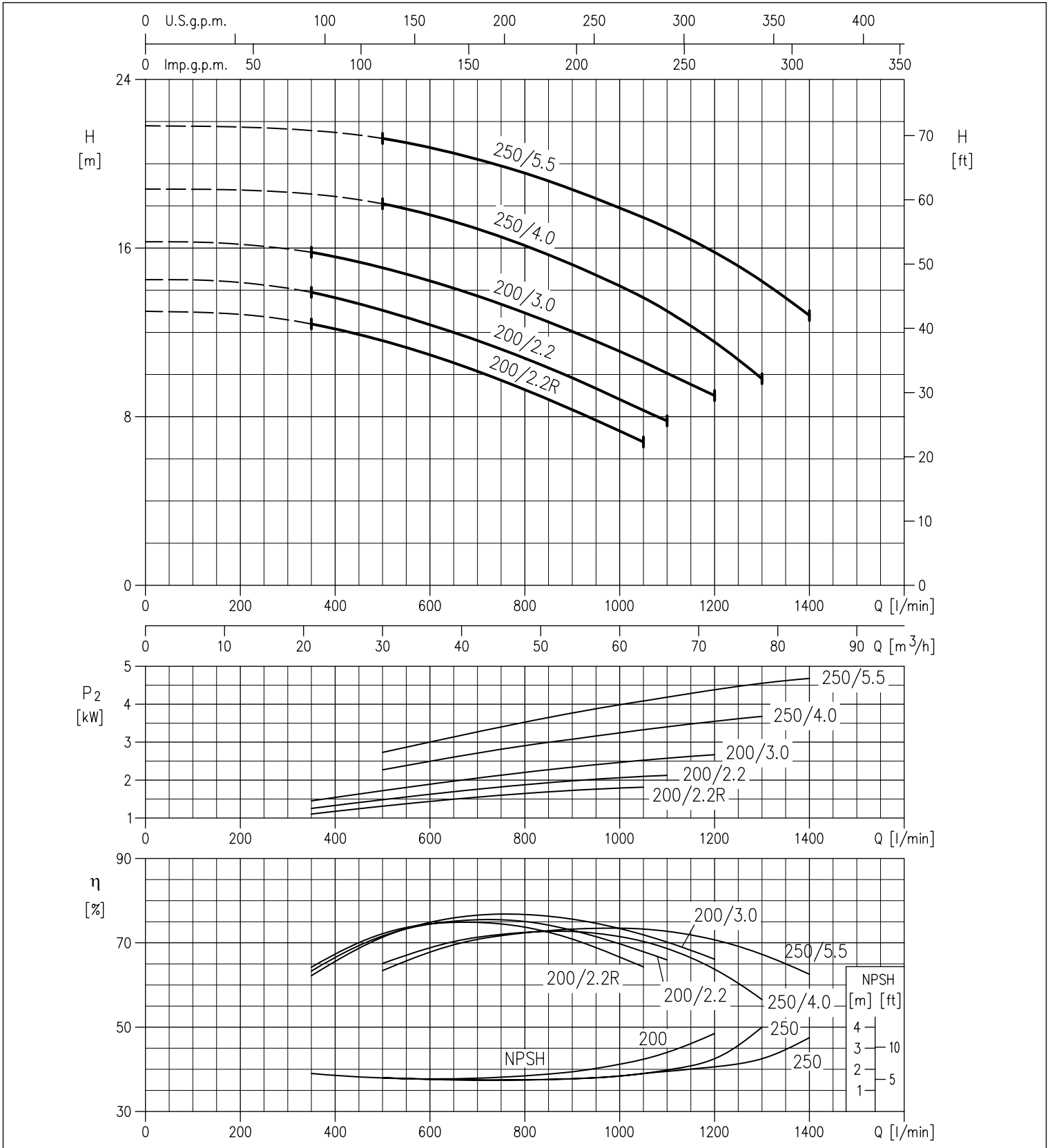
The contents of this publication must not be regarded as binding. EBARA Pumps Europe S.p.A. reserves the right to effect any modification it deems necessary, without prior notice.

# 3 - 3L SERIES

CENTRIFUGAL ELECTRIC PUMPS STANDARDISED IN COMPLIANCE WITH EN 733 (EX DIN 24255)

PERFORMANCE CURVES 3L 65 SERIES at 1450 min<sup>-1</sup> (according to ISO 9906 Attachment A)

4 Poles



The contents of this publication must not be regarded as binding. EBARA Pumps Europe S.p.A. reserves the right to effect any modification it deems necessary, without prior notice.



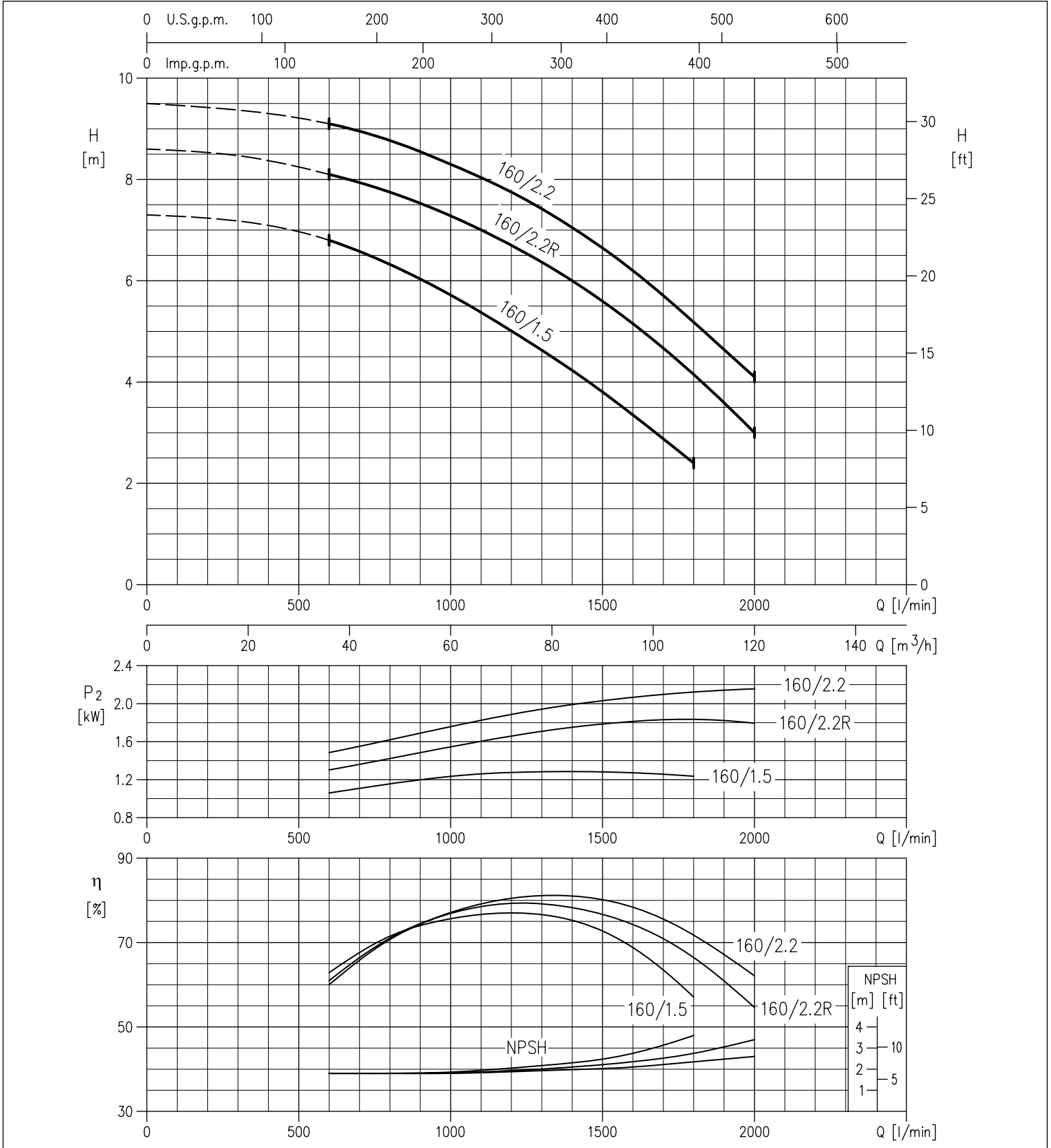


# 3 - 3L SERIES

CENTRIFUGAL ELECTRIC PUMPS STANDARDISED IN COMPLIANCE WITH EN 733 (EX DIN 24255)

PERFORMANCE CURVES 3L 80 SERIES at 1450 min<sup>-1</sup> (according to ISO 9906 Attachment A)

4 Poles



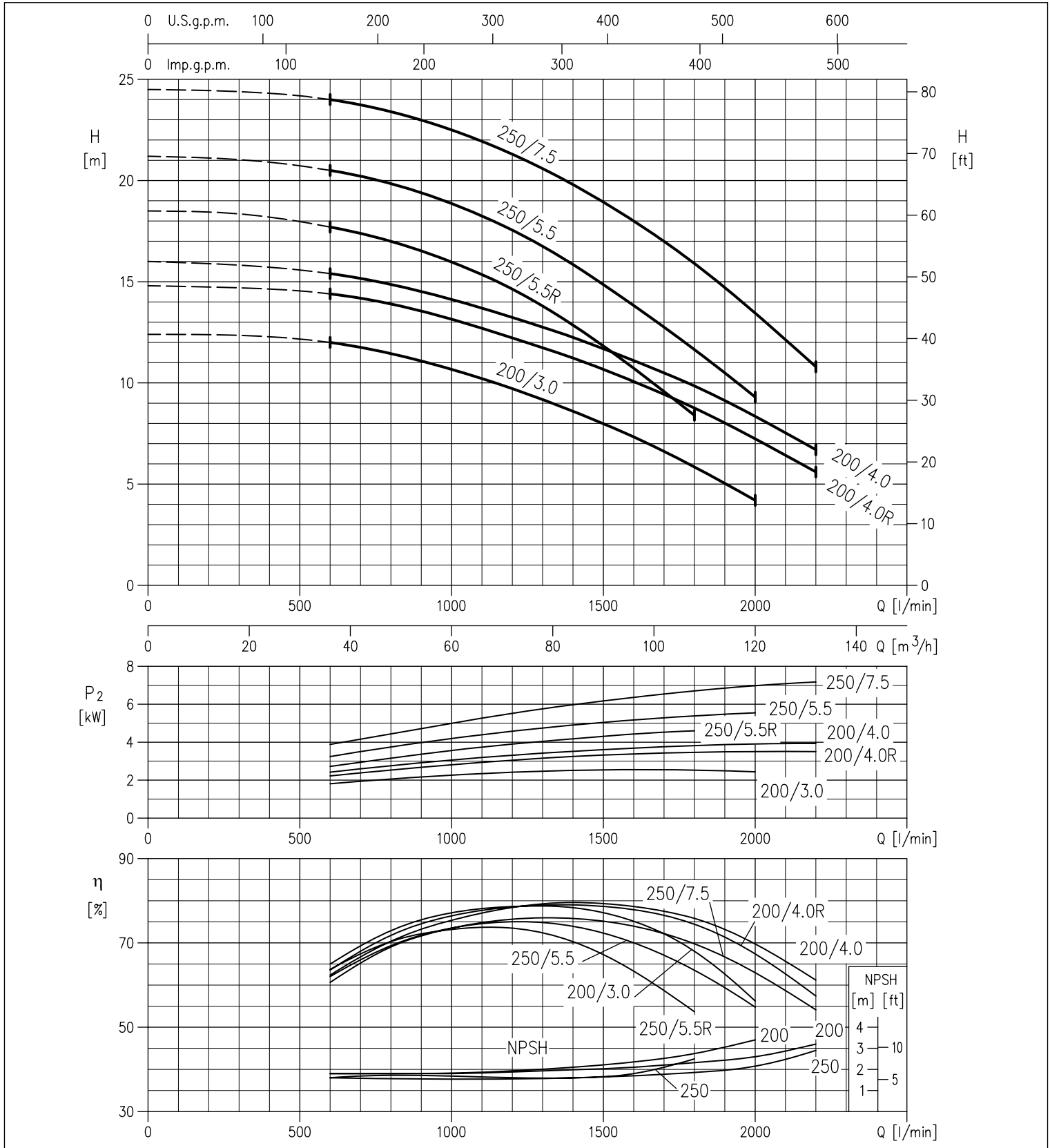
The contents of this publication must not be regarded as binding. EBARA Pumps Europe S.p.A. reserves the right to effect any modification it deems necessary, without prior notice.

# 3 - 3L SERIES

CENTRIFUGAL ELECTRIC PUMPS STANDARDISED IN COMPLIANCE WITH EN 733 (EX DIN 24255)

PERFORMANCE CURVES 3L 80 SERIES at 1450 min<sup>-1</sup> (according to ISO 9906 Attachment A)

4 Poles



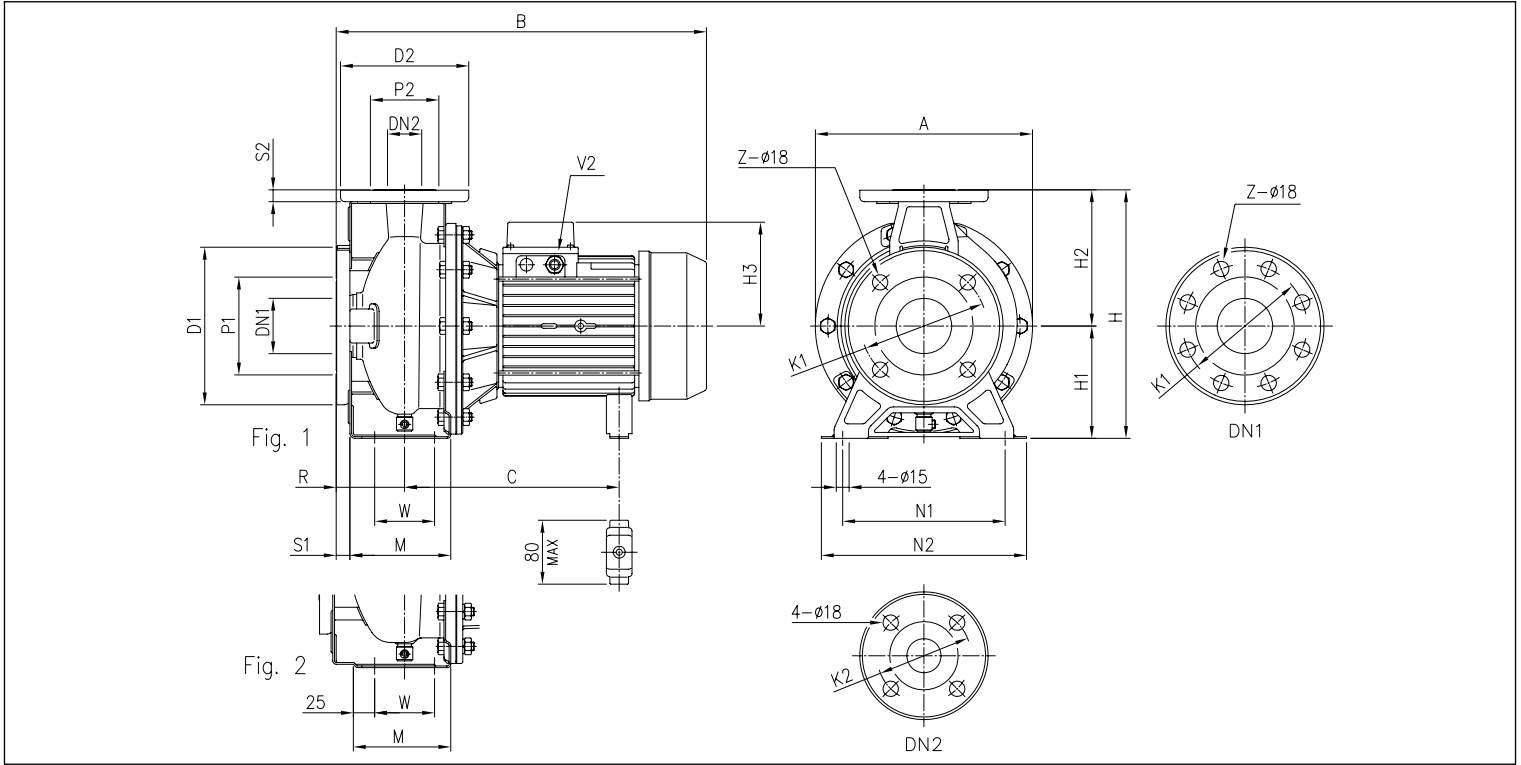
The contents of this publication must not be regarded as binding. EBARA Pumps Europe S.p.A. reserves the right to effect any modification it deems necessary, without prior notice.

# 3 - 3L SERIES

CENTRIFUGAL ELECTRIC PUMPS STANDARDISED IN COMPLIANCE WITH EN 733  
(EX DIN 24255)

3(L)M4 32, 40, 50, 65 - up to the 65-200

4 Poles



## DIMENSIONAL TABLE

Model	Dimensions [mm]																				Weight [kg]							
	DN1 Ø	P1 Ø	K1 Ø	D1 Ø	S1	Z	[1]	[2]	DN2 Ø	P2 Ø	K2 Ø	D2 Ø	S2	Fig.	H	H1	H2	H3	R	W		M	N1	N2	A	B	C	V2
32-125/0.25	50	95	125	165	16	4	-	-	32	75	100	140	14	1	252	112	140	102	80	70	114	140	190	213	371	205	PG 11	15
32-160/0.37R	50	95	125	165	16	4	-	-	32	75	100	140	14	1	292	132	160	119	80	70	118	190	240	254	393	219	PG 11	19.7
32-160/0.37	50	95	125	165	16	4	-	-	32	75	100	140	14	1	292	132	160	119	80	70	118	190	240	254	393	219	PG 11	19.9
32-200/0.55R	50	95	125	165	16	4	-	-	32	75	100	140	14	1	340	160	180	119	80	70	119	190	240	296	393	219	PG 11	24.5
32-200/0.55	50	95	125	165	16	4	-	-	32	75	100	140	14	1	340	160	180	119	80	70	119	190	240	296	393	219	PG 11	24.5
32-200/0.75	50	95	125	165	16	4	-	-	32	75	100	140	14	1	340	160	180	124	80	70	119	190	240	296	432	244÷255	PG 13,5	28.1
40-125/0.37R	65	115	145	185	16	4	-	-	40	80	110	150	14	1	252	112	140	102	80	70	114	160	210	213	371	205	PG 11	15.6
40-125/0.37	65	115	145	185	16	4	-	-	40	80	110	150	14	1	252	112	140	102	80	70	114	160	210	213	371	205	PG 11	15.7
40-160/0.55R	65	115	145	185	16	4	-	-	40	80	110	150	14	1	292	132	160	119	80	70	118	190	240	254	393	219	PG 11	20.2
40-160/0.55	65	115	145	185	16	4	-	-	40	80	110	150	14	1	292	132	160	119	80	70	118	190	240	254	393	219	PG 11	20.6
40-200/1.1R	65	115	145	185	16	4	-	-	40	80	110	150	14	2	340	160	180	124	100	70	115	212	265	296	452	244÷255	PG 13,5	28.5
40-200/1.1	65	115	145	185	16	4	-	-	40	80	110	150	14	2	340	160	180	124	100	70	115	212	265	296	452	244÷255	PG 13,5	28.6
40-200/1.5	65	115	145	185	16	4	-	-	40	80	110	150	14	2	340	160	180	124	100	70	115	212	265	296	491	244÷255	PG 13,5	30.3
50-125/0.55R	65	115	145	185	16	4	-	-	50	95	125	165	16	2	292	132	160	119	100	70	114	190	240	254	413	219	PG 11	20.4
50-125/0.55	65	115	145	185	16	4	-	-	50	95	125	165	16	2	292	132	160	119	100	70	114	190	240	254	413	219	PG 11	20.5
50-160/1.1R	65	115	145	185	16	4	-	-	50	95	125	165	16	2	340	160	180	124	100	70	115	212	265	296	452	244÷255	PG 13,5	28.6
50-160/1.1	65	115	145	185	16	4	-	-	50	95	125	165	16	2	340	160	180	124	100	70	115	212	265	296	452	244÷255	PG 13,5	28.7
50-200/1.5R	65	115	145	185	16	4	-	-	50	95	125	165	16	2	360	160	200	124	100	70	115	212	265	296	491	244÷255	PG 13,5	30.5
50-200/1.5	65	115	145	185	16	4	-	-	50	95	125	165	16	2	360	160	200	124	100	70	115	212	265	296	491	244÷255	PG 13,5	31.6
50-200/2.2	65	115	145	185	16	4	-	-	50	95	125	165	16	2	360	160	200	141	100	70	115	212	265	296	474	253	PG 16	30
65-125/0.55	80	134	160	200	18	8	4	65	115	145	185	16	2	340	160	180	119	100	95	140	212	280	254	413	219	PG 11	21.9	
65-125/0.75	80	134	160	200	18	8	4	65	115	145	185	16	2	340	160	180	124	100	95	140	212	280	254	452	244÷255	PG 13,5	20	
65-125/1.1	80	134	160	200	18	8	4	65	115	145	185	16	2	340	160	180	124	100	95	140	212	280	254	452	244÷255	PG 13,5	20	
65-160/1.1	80	134	160	200	18	8	4	65	115	145	185	16	2	360	160	200	124	100	95	140	212	280	296	452	244÷255	PG 13,5	28.5	
65-160/1.5	80	134	160	200	18	8	4	65	115	145	185	16	2	360	160	200	124	100	95	140	212	280	296	491	244÷255	PG 13,5	30	
65-160/2.2	80	134	160	200	18	8	4	65	115	145	185	16	2	360	160	200	141	100	95	140	212	280	296	474	253	PG 16	32	
65-200/2.2R	80	134	160	200	18	8	4	65	115	145	185	16	2	405	180	225	141	100	95	140	250	320	296	474	253	PG 16	30	
65-200/2.2	80	134	160	200	18	8	4	65	115	145	185	16	2	405	180	225	141	100	95	140	250	320	296	474	253	PG 16	30	
65-200/3	80	134	160	200	18	8	4	65	115	145	185	16	2	405	180	225	141	100	95	140	250	320	296	514	253	PG 16	38	

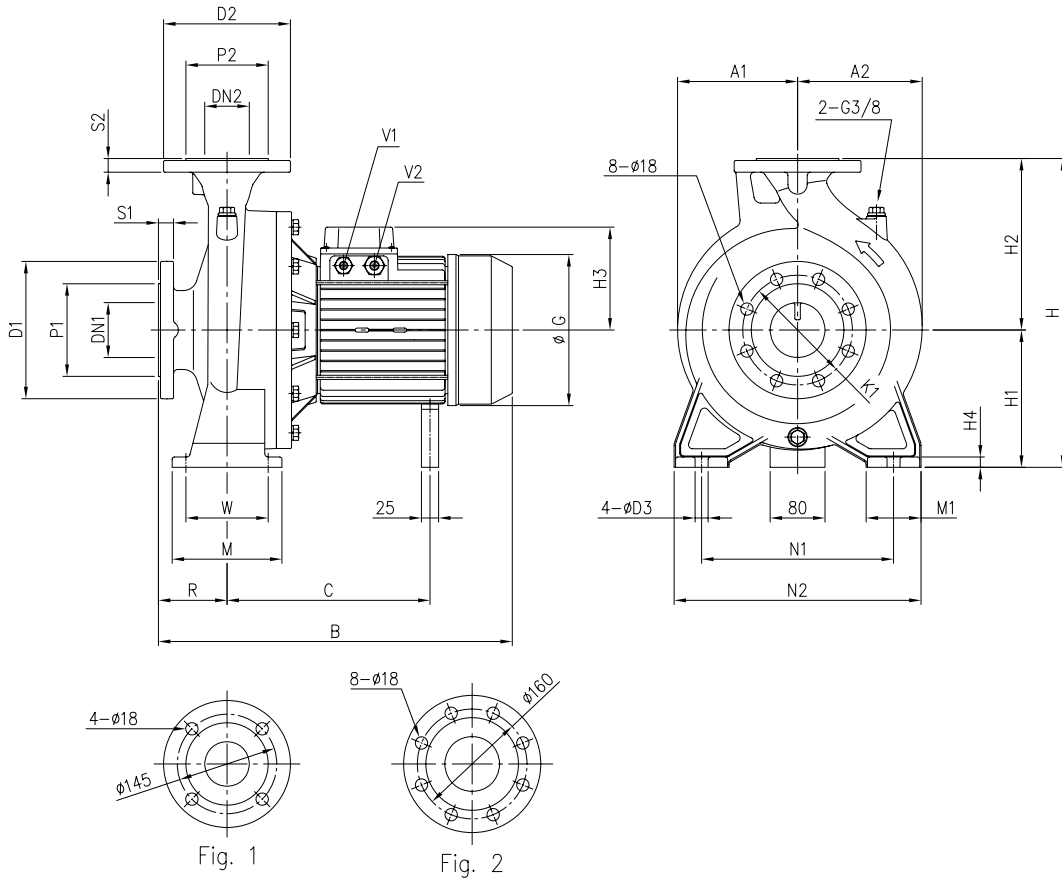
[1] Standard  
[2] On request

# 3 - 3L SERIES

CENTRIFUGAL ELECTRIC PUMPS STANDARDISED IN COMPLIANCE WITH EN 733 (EX DIN 24255)

3LM4 65-250, 80

4 Poles



## DIMENSIONAL TABLE

Model	Dimensions [mm]																								Weight [kg]				
	DN1	P1	K1	D1	S1	DN2	P2	D2	S2	H	H1	H2	H3	H4	R	W	N1	N2	M	M1	A1	A2	B	C		G	D3	V1	V2
65-250/4	80	135	160	200	22	65 Fig. 1	120	185	20	450	200	250	150	15	100	120	280	360	160	80	175	182	559	295	220	19	PG13,5	PG16	81,0
65-250/5.5	80	135	160	200	22	65 Fig. 1	120	185	20	450	200	250	178	15	100	120	280	360	160	80	175	182	612	376	259	19	PG13,5	PG21	96,0
80-160/1.5	100	155	180	225	24	80 Fig. 2	135	200	22	405	180	225	124	13	125	95	250	320	125	65	147	173	516	244±255	176	15	-	PG13,5	53,0
80-160/2.2R	100	155	180	225	24	80 Fig. 2	135	200	22	405	180	225	141	13	125	95	250	320	125	65	147	173	499	253	193	15	-	PG16	53,0
80-160/2.2	100	155	180	225	24	80 Fig. 2	135	200	22	405	180	225	141	13	125	95	250	320	125	65	147	173	499	253	193	15	-	PG16	53,0
80-200/3	100	155	180	225	24	80 Fig. 2	135	200	22	430	180	250	141	13	125	95	280	345	125	65	175	182	561	275	193	15	-	PG16	73,0
80-200/4R	100	155	180	225	24	80 Fig. 2	135	200	22	430	180	250	150	13	125	95	280	345	125	65	175	182	584	295	220	15	PG13,5	PG16	80,0
80-200/4	100	155	180	225	24	80 Fig. 2	135	200	22	430	180	250	150	13	125	95	280	345	125	65	175	182	584	295	220	15	PG13,5	PG16	81,0
80-250/5.5R	100	155	180	225	24	80 Fig. 2	135	200	22	480	200	280	178	15	125	120	315	400	160	80	175	192	637	376	259	19	PG13,5	PG21	94,0
80-250/5.5	100	155	180	225	24	80 Fig. 2	135	200	22	480	200	280	178	15	125	120	315	400	160	80	175	192	637	376	259	19	PG13,5	PG21	95,0

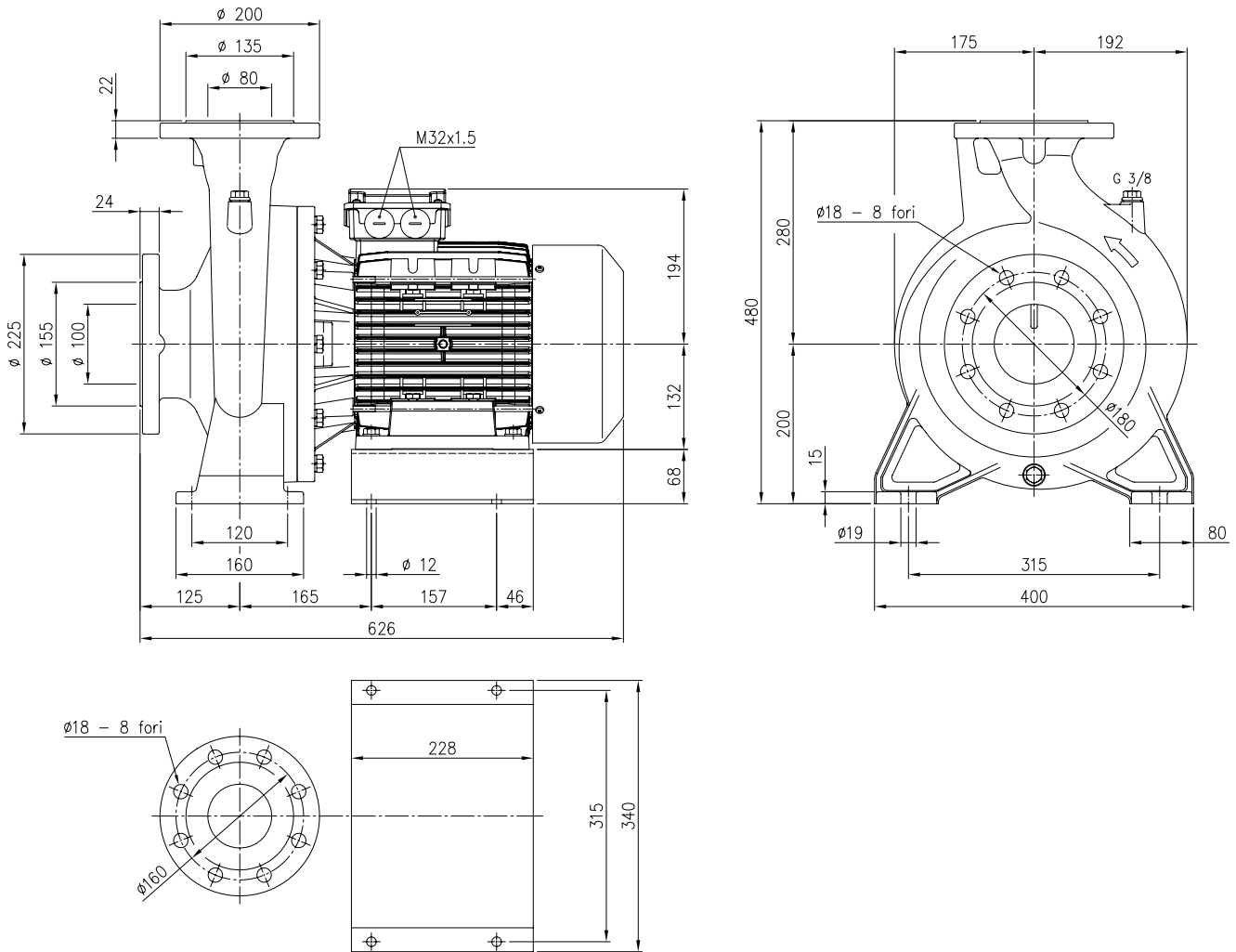
The contents of this publication must not be regarded as binding. EBARA Pumps Europe S.p.A. reserves the right to effect any modification it deems necessary, without prior notice.

# 3 - 3L SERIES

CENTRIFUGAL ELECTRIC PUMPS STANDARDISED IN COMPLIANCE WITH EN 733  
(EX DIN 24255)

3M4 80-250/7.5

4 Poles



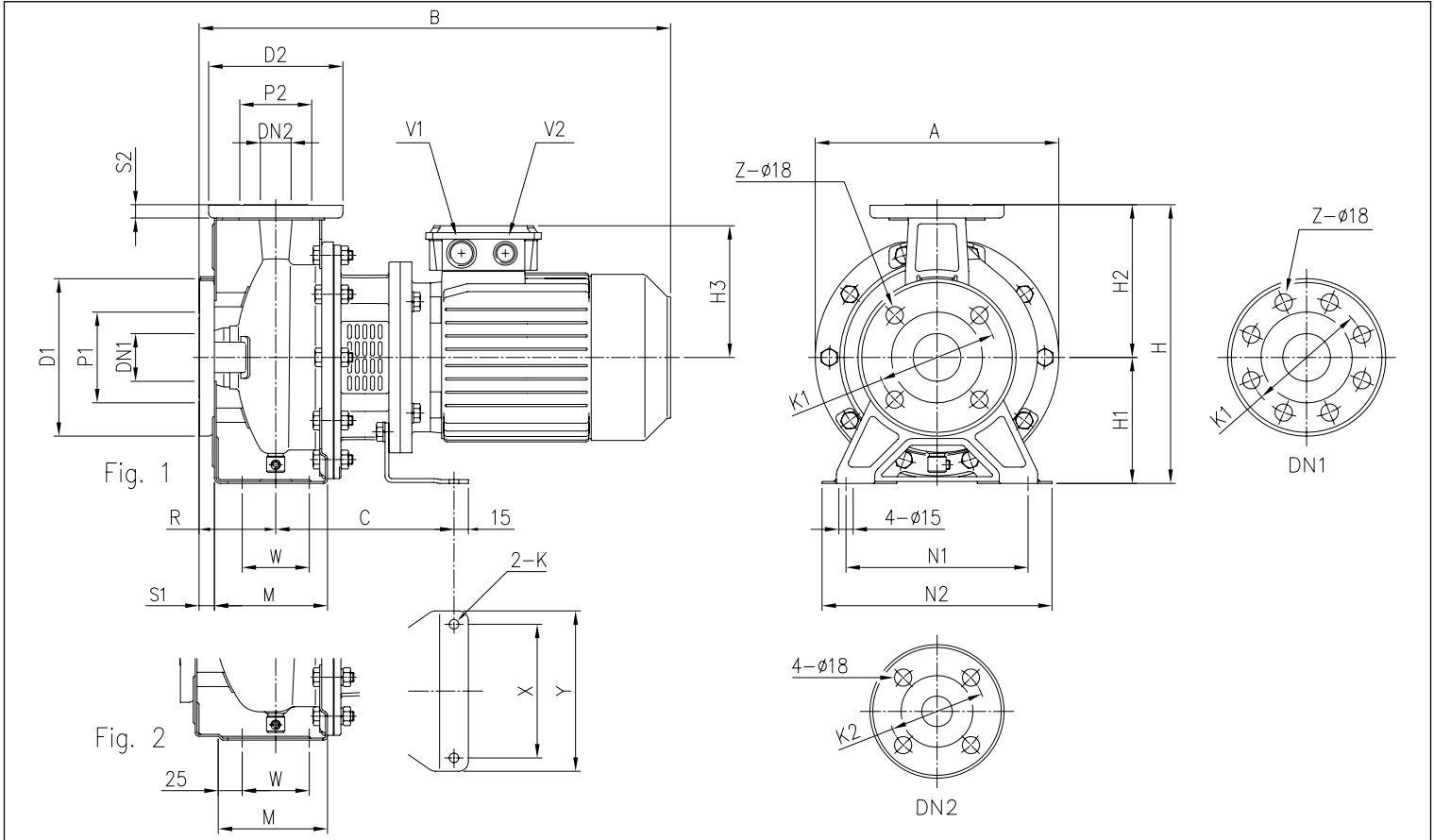
**Weight**  
3M4 80-250/7.5: 119 kg

# 3 - 3L SERIES

CENTRIFUGAL ELECTRIC PUMPS STANDARDISED IN COMPLIANCE WITH EN 733 (EX DIN 24255)

3(L)S4 32, 40, 50, 65 - up to 1,5 kW

4 Poles



## DIMENSIONAL TABLE

Model	Dimensions [mm]																				Weight [kg]											
	DN Ø	P1 Ø	K1 Ø	D1 Ø	S1	Z [1] [2]	DN Ø	P2 Ø	K2 Ø	D2 Ø	S2	Fig.	H	H1	H2	H3	R	W	M	N1	N2	A	B	C	X	Y	K	V1	V2	[*]	[*]	
32-125/0.25	50	95	125	165	16	4	-	32	75	100	140	14	1	252	112	140	114	80	70	114	140	190	213	404	153	112	140	8	M20x1,5	M16x1,5	15.4	-
32-160/0.37R	50	95	125	165	16	4	-	32	75	100	140	14	1	292	132	160	114	80	70	118	190	240	254	404	153	112	140	8	M20x1,5	M16x1,5	18.5	-
32-160/0.37	50	95	125	165	16	4	-	32	75	100	140	14	1	292	132	160	114	80	70	118	190	240	254	404	153	112	140	8	M20x1,5	M16x1,5	18.7	-
32-200/0.55R	50	95	125	165	16	4	-	32	75	100	140	14	1	340	160	180	139	80	70	119	190	240	296	430	174	140	168	10	M25x1,5	M20x1,5	28	-
32-200/0.55	50	95	125	165	16	4	-	32	75	100	140	14	1	340	160	180	139	80	70	119	190	240	296	430	174	140	168	10	M25x1,5	M20x1,5	33	-
32-200/0.75	50	95	125	165	16	4	-	32	75	100	140	14	1	340	160	180	139	80	70	119	190	240	296	430	174	140	168	10	M25x1,5	M20x1,5	29.5	29.5
40-125/0.37R	65	115	145	185	16	4	-	40	80	110	150	14	1	252	112	140	114	80	70	114	160	210	213	404	153	112	140	8	M20x1,5	M16x1,5	16.2	-
40-125/0.37	65	115	145	185	16	4	-	40	80	110	150	14	1	252	112	140	114	80	70	114	160	210	213	404	153	112	140	8	M20x1,5	M16x1,5	16.2	-
40-160/0.55R	65	115	145	185	16	4	-	40	80	110	150	14	1	292	132	160	139	80	70	118	190	240	254	430	174	140	168	10	M25x1,5	M20x1,5	23.5	-
40-160/0.55	65	115	145	185	16	4	-	40	80	110	150	14	1	292	132	160	139	80	70	118	190	240	254	430	174	140	168	10	M25x1,5	M20x1,5	23.5	-
40-200/1.1R	65	115	145	185	16	4	-	40	80	110	150	14	2	340	160	180	148	100	70	115	212	265	296	497	186	140	168	10	M25x1,5	M20x1,5	34.3	32.1
40-200/1.1	65	115	145	185	16	4	-	40	80	110	150	14	2	340	160	180	148	100	70	115	212	265	296	497	186	140	168	10	M25x1,5	M20x1,5	34.3	32.1
40-200/1.5	65	115	145	185	16	4	-	40	80	110	150	14	2	340	160	180	148	100	70	115	212	265	296	497	186	140	168	10	M25x1,5	M20x1,5	35.5	32.9
50-125/0.55R	65	115	145	185	16	4	-	50	95	125	165	16	2	292	132	160	139	100	70	114	190	240	254	450	174	140	168	10	M25x1,5	M20x1,5	23.7	-
50-125/0.55	65	115	145	185	16	4	-	50	95	125	165	16	2	292	132	160	139	100	70	114	190	240	254	450	174	140	168	10	M25x1,5	M20x1,5	23.7	-
50-160/1.1R	65	115	145	185	16	4	-	50	95	125	165	16	2	340	160	180	148	100	70	115	212	265	296	497	186	140	168	10	M25x1,5	M20x1,5	34	31.8
50-160/1.1	65	115	145	185	16	4	-	50	95	125	165	16	2	340	160	180	148	100	70	115	212	265	296	497	186	140	168	10	M25x1,5	M20x1,5	34	31.8
50-200/1.5R	65	115	145	185	16	4	-	50	95	125	165	16	2	360	160	200	148	100	70	115	212	265	296	497	186	140	168	10	M25x1,5	M20x1,5	37.1	34.5
50-200/1.5	65	115	145	185	16	4	-	50	95	125	165	16	2	360	160	200	148	100	70	115	212	265	296	497	186	140	168	10	M25x1,5	M20x1,5	37.1	34.5
65-125/0.55	80	134	160	200	18	8	4	65	115	145	185	16	2	340	160	180	139	100	95	140	212	280	254	450	174	140	168	10	M25x1,5	M20x1,5	21.5	-
65-125/0.75	80	134	160	200	18	8	4	65	115	145	185	16	2	340	160	180	139	100	95	140	212	280	254	450	174	140	168	10	M25x1,5	M20x1,5	30	30
65-125/1.1	80	134	160	200	18	8	4	65	115	145	185	16	2	340	160	180	148	100	95	140	212	280	254	497	186	140	168	10	M25x1,5	M20x1,5	30	27.8
65-160/1.1	80	134	160	200	18	8	4	65	115	145	185	16	2	360	160	200	148	100	95	140	212	280	296	497	186	140	168	10	M25x1,5	M20x1,5	31	28.8
65-160/1.5	80	134	160	200	18	8	4	65	115	145	185	16	2	360	160	200	148	100	95	140	212	280	296	497	186	140	168	10	M25x1,5	M20x1,5	43	40.4

[1] Standard [2] Only for IE3 Motors

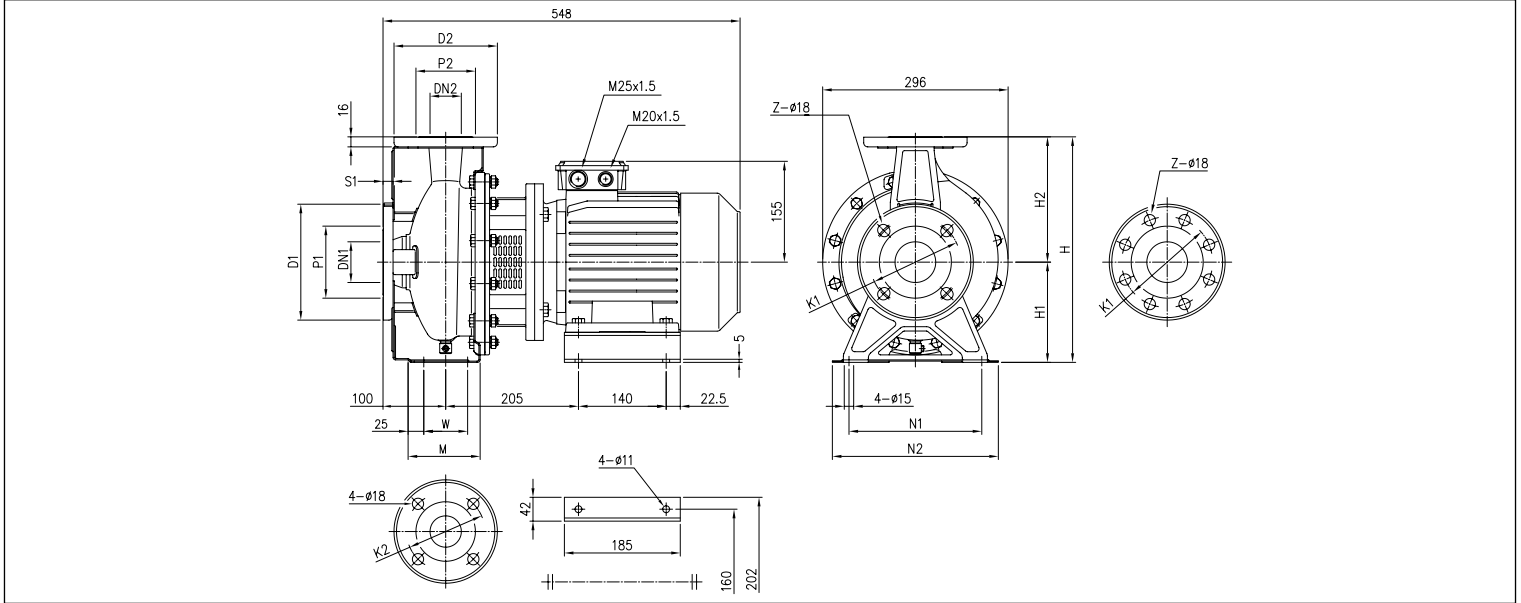
[\*] On request

# 3 - 3L SERIES

## CENTRIFUGAL ELECTRIC PUMPS STANDARDISED IN COMPLIANCE WITH EN 733 (EX DIN 24255)

3(L)S4 50, 65 - 2,2 ÷ 3 kW

4 Poles



### DIMENSIONAL TABLE

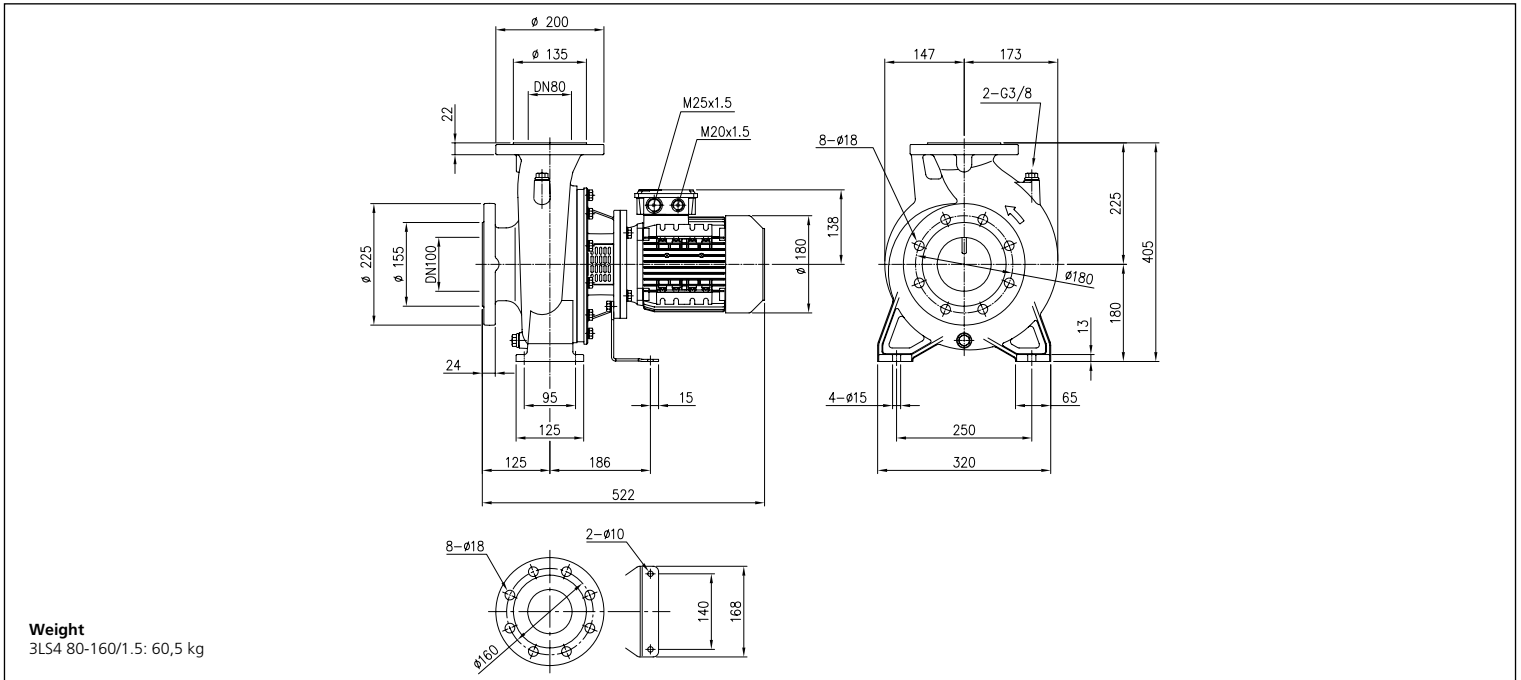
Model	DN1 Ø	P1 Ø	K1 Ø	D1 Ø	S1	Dimensions [mm]														Weight [kg]	
						[1]	Z	[2]	DN2 Ø	P2 Ø	K2 Ø	D2 Ø	H	H1	H2	W	M	N1	N2	[*]	
50-200/2.2	65	115	145	185	16	4	-	50	95	125	165	360	160	200	70	115	212	265	43	43.4	
65-160/2.2	80	134	160	200	18	8	4	65	115	145	185	360	160	200	95	140	212	280	46	46.4	
65-200/2.2R	80	134	160	200	18	8	4	65	115	145	185	405	180	225	95	140	250	320	42.5	42.9	
65-200/2.2	80	134	160	200	18	8	4	65	115	145	185	405	180	225	95	140	250	320	43	43.4	
65-200/3	80	134	160	200	18	8	4	65	115	145	185	405	180	225	95	140	250	320	48.5	48.5	

[1] Standard  
[2] On request

[\*] Only for IE3 Motors

3LS4 80-160/1,5

4 Poles

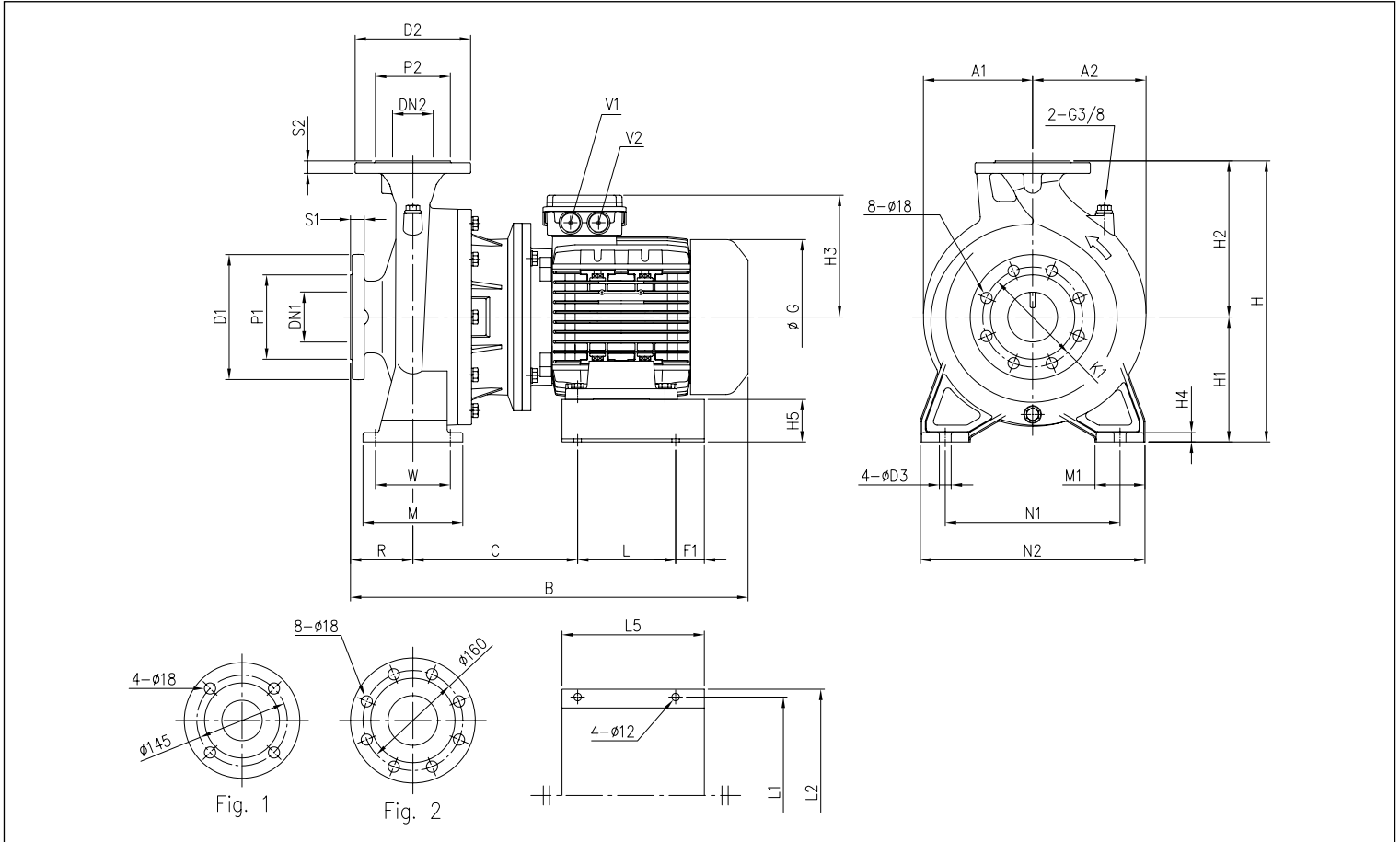


# 3 - 3L SERIES

**CENTRIFUGAL ELECTRIC PUMPS STANDARDISED IN COMPLIANCE WITH EN 733 (EX DIN 24255)**

3LS4 65-250, 80 - up to 7,5 kW

4 Poles



**DIMENSIONAL TABLE**

Model	Dimensions [mm]																												Weight [kg]								
	DN1	P1	K1	D1	S1	DN2	P2	D2	S2	H	H1	H2	H3	H4	H5	R	W	N1	N2	M	M1	L	L1	L2	L5	A1	A2	B	C	F1	G	D3	V1	V2	[*]	[*]	
65-250/4	80	135	160	200	22	65	Fig. 1	120	185	20	450	200	250	171	15	88	100	120	280	360	160	80	147	265	290	187	175	182	580	215	20	225	19	M25x1,5	M20x1,5	85	90.6
65-250/5.5	80	135	160	200	22	65	Fig. 1	120	185	20	450	200	250	198	15	68	100	120	280	360	160	80	157	315	340	228	175	182	637	264	46	248	19	M32x1,5	M32x1,5	108	118
80-160/2.2R	100	155	180	225	24	80	Fig. 2	135	200	22	405	180	225	155	13	80	125	95	250	320	125	65	140	250	275	190	147	173	573	205	25	196	15	M25x1,5	M20x1,5	69.7	70.1
80-160/2.2	100	155	180	225	24	80	Fig. 2	135	200	22	405	180	225	155	13	80	125	95	250	320	125	65	140	250	275	190	147	173	573	205	25	196	15	M25x1,5	M20x1,5	70	70.4
80-200/3	100	155	180	225	24	80	Fig. 2	135	200	22	430	180	250	155	13	80	125	95	280	345	125	65	140	250	275	190	175	182	583	215	25	196	15	M25x1,5	M20x1,5	80	80
80-200/4R	100	155	180	225	24	80	Fig. 2	135	200	22	430	180	250	171	13	68	125	95	280	345	125	65	157	315	340	228	175	182	605	198	46	225	15	M25x1,5	M20x1,5	84	89.6
80-200/4	100	155	180	225	24	80	Fig. 2	135	200	22	430	180	250	171	13	68	125	95	280	345	125	65	157	315	340	228	175	182	605	198	46	225	15	M25x1,5	M20x1,5	90	95.6
80-250/5.5R	100	155	180	225	24	80	Fig. 2	135	200	22	480	200	280	198	15	68	125	120	315	400	160	80	157	315	340	228	175	192	662	264	46	248	19	M32x1,5	M32x1,5	114	124
80-250/5.5	100	155	180	225	24	80	Fig. 2	135	200	22	480	200	280	198	15	68	125	120	315	400	160	80	157	315	340	228	175	192	662	264	46	248	19	M32x1,5	M32x1,5	115	125
80-250/7.5	100	155	180	225	24	80	Fig. 2	135	200	22	480	200	280	198	15	68	125	120	315	400	160	80	157	315	340	228	175	192	702	264	46	248	19	M32x1,5	M32x1,5	-	134

[\*] Only for IE3 motors

The contents of this publication must not be regarded as binding. EBARA Pumps Europe S.p.A. reserves the right to effect any modification it deems necessary, without prior notice.

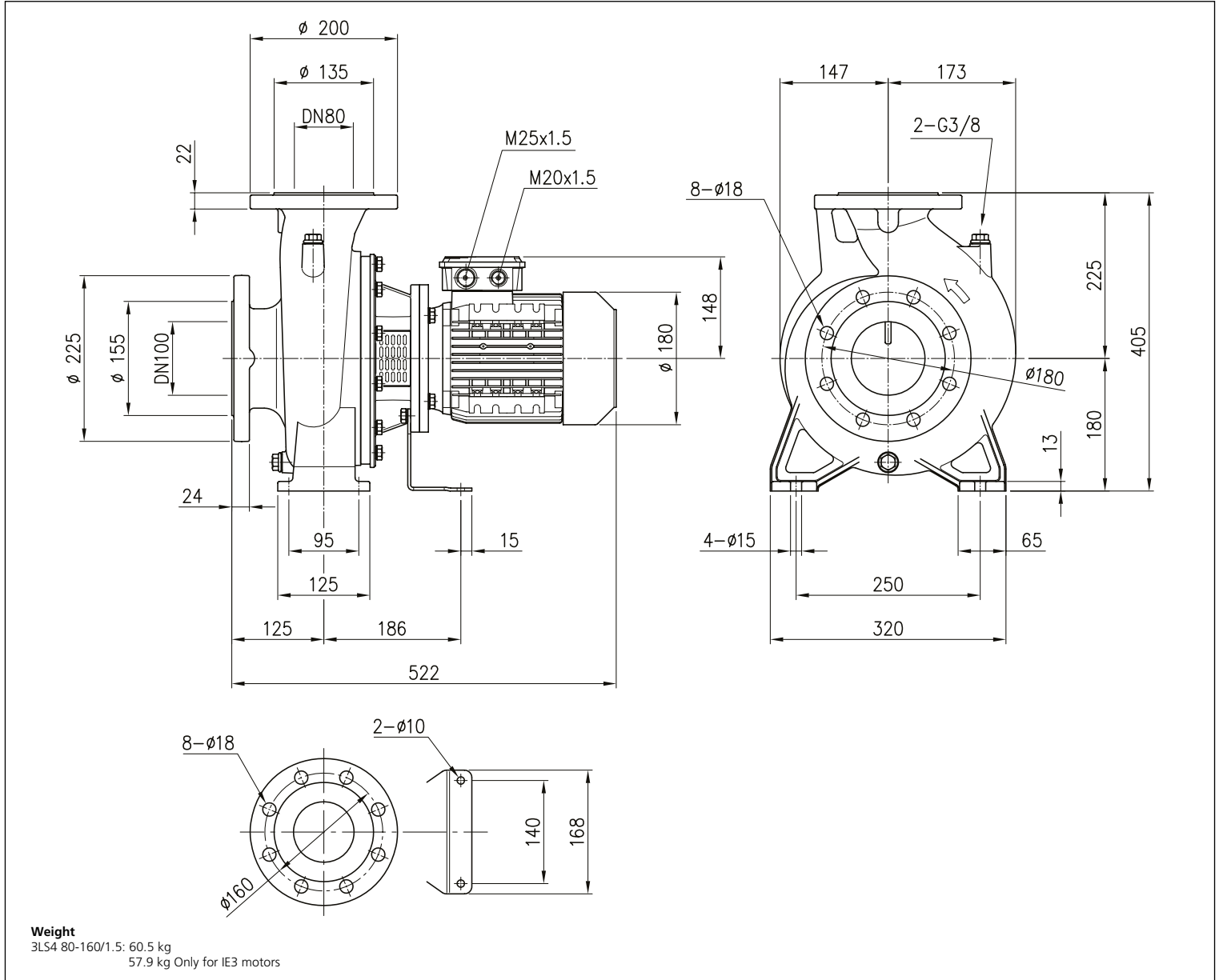


# 3 - 3L SERIES

CENTRIFUGAL ELECTRIC PUMPS STANDARDISED IN COMPLIANCE WITH EN 733  
(EX DIN 24255)

3LS4 80-160/1.5

4 Poles

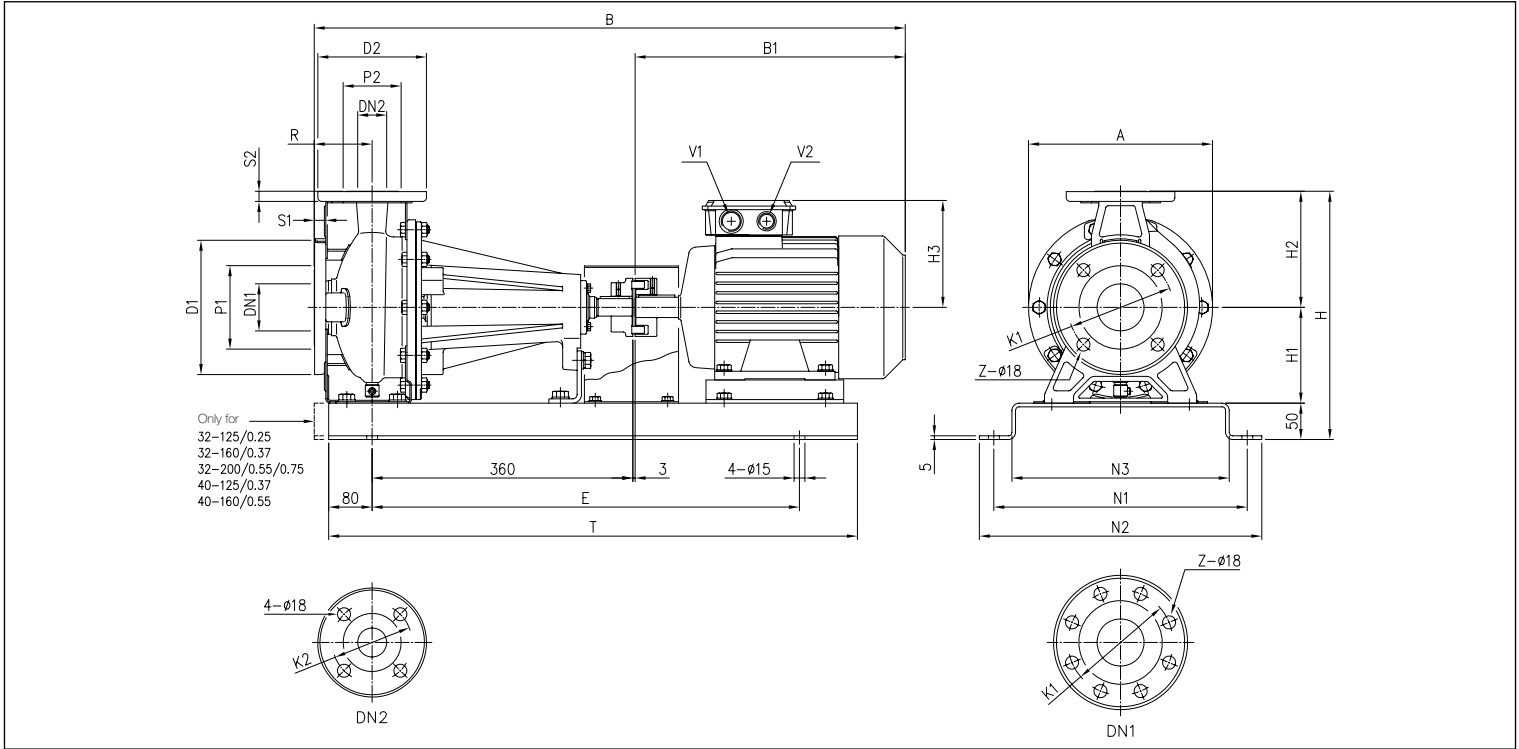


# 3 - 3L SERIES

CENTRIFUGAL ELECTRIC PUMPS STANDARDISED IN COMPLIANCE WITH EN 733 (EX DIN 24255)

3(L)P4 32, 40, 50, 65 - up to the 65-200

4 Poles



## DIMENSIONAL TABLE

Model	Dimensions [mm]																				Weight [kg]								
	DN1 Ø	P1 Ø	K1 Ø	D1 Ø	S1	Z [1]	Z [2]	DN2 Ø	P2 Ø	K2 Ø	D2 Ø	S2	H	H1	H2	H3	R	A	B	B1	E	N1	N2	N3	T	V1	V2	[*]	
32-125/0.25	50	95	125	165	16	4	-	32	75	100	140	14	302	112	140	114	80	213	689	246	550	300	340	250	710	M20x1,5	M16x1,5	37,0	-
32-160/0.37R	50	95	125	165	16	4	-	32	75	100	140	14	342	132	160	114	80	254	689	246	510	350	390	300	670	M20x1,5	M16x1,5	41,0	-
32-160/0.37	50	95	125	165	16	4	-	32	75	100	140	14	342	132	160	114	80	254	689	246	510	350	390	300	670	M20x1,5	M16x1,5	41,0	-
32-200/0.55R	50	95	125	165	16	4	-	32	75	100	140	14	390	160	180	139	80	296	715	272	510	350	390	300	670	M25x1,5	M20x1,5	53,5	-
32-200/0.55	50	95	125	165	16	4	-	32	75	100	140	14	390	160	180	139	80	296	715	272	510	350	390	300	670	M25x1,5	M20x1,5	53,5	-
32-200/0.75	50	95	125	165	16	4	-	32	75	100	140	14	390	160	180	139	80	296	715	272	510	350	390	300	670	M25x1,5	M20x1,5	54,5	54,5
40-125/0.37R	65	115	145	185	16	4	-	40	80	110	150	14	302	112	140	114	80	213	689	246	550	300	340	250	710	M20x1,5	M16x1,5	46,5	-
40-125/0.37	65	115	145	185	16	4	-	40	80	110	150	14	302	112	140	114	80	213	689	246	550	300	340	250	710	M20x1,5	M16x1,5	46,5	-
40-160/0.55R	65	115	145	185	16	4	-	40	80	110	150	14	342	132	160	139	80	254	715	272	510	350	390	300	670	M25x1,5	M20x1,5	44,5	-
40-160/0.55	65	115	145	185	16	4	-	40	80	110	150	14	342	132	160	139	80	254	715	272	510	350	390	300	670	M25x1,5	M20x1,5	44,5	-
40-200/1.1R	65	115	145	185	16	4	-	40	80	110	150	14	390	160	180	148	100	296	780	317	590	350	390	300	750	M25x1,5	M20x1,5	61,5	59,3
40-200/1.1	65	115	145	185	16	4	-	40	80	110	150	14	390	160	180	148	100	296	780	317	590	350	390	300	750	M25x1,5	M20x1,5	61,5	59,3
40-200/1.5	65	115	145	185	16	4	-	40	80	110	150	14	390	160	180	148	100	296	780	317	590	350	390	300	750	M25x1,5	M20x1,5	64,0	61,4
50-125/0.55R	65	115	145	185	16	4	-	50	95	125	165	16	342	132	160	139	100	254	735	272	510	350	390	300	670	M25x1,5	M20x1,5	45,0	-
50-125/0.55	65	115	145	185	16	4	-	50	95	125	165	16	342	132	160	139	100	254	735	272	510	350	390	300	670	M25x1,5	M20x1,5	45,0	-
50-160/1.1R	65	115	145	185	16	4	-	50	95	125	165	16	390	160	180	148	100	296	780	317	590	350	390	300	750	M25x1,5	M20x1,5	52,5	50,3
50-160/1.1	65	115	145	185	16	4	-	50	95	125	165	16	390	160	180	148	100	296	780	317	590	350	390	300	750	M25x1,5	M20x1,5	52,5	50,3
50-200/1.5R	65	115	145	185	16	4	-	50	95	125	165	16	410	160	200	148	100	296	829	366	590	380	420	330	750	M25x1,5	M20x1,5	64,0	61,4
50-200/1.5	65	115	145	185	16	4	-	50	95	125	165	16	410	160	200	148	100	296	780	317	590	350	390	300	750	M25x1,5	M20x1,5	64,0	61,4
50-200/2.2	65	115	145	185	16	4	-	50	95	125	165	16	410	160	200	155	100	296	829	366	590	350	390	300	750	M25x1,5	M20x1,5	70,0	70,4
65-125/0.55	80	134	160	200	18	8	4	65	115	145	185	16	390	160	180	139	100	254	735	272	510	350	390	300	670	M25x1,5	M20x1,5	48,5	-
65-125/0.75	80	134	160	200	18	8	4	65	115	145	185	16	390	160	180	139	100	254	735	272	510	350	390	300	670	M25x1,5	M20x1,5	48,5	48,5
65-125/1.1	80	134	160	200	18	8	4	65	115	145	185	16	390	160	180	148	100	254	780	317	590	350	390	300	750	M25x1,5	M20x1,5	56,0	53,8
65-160/1.1	80	134	160	200	18	8	4	65	115	145	185	16	410	160	200	148	100	296	780	317	590	350	390	300	750	M25x1,5	M20x1,5	62,5	60,3
65-160/1.5	80	134	160	200	18	8	4	65	115	145	185	16	410	160	200	148	100	296	780	317	590	350	390	300	750	M25x1,5	M20x1,5	63,5	60,9
65-160/2.2	80	134	160	200	18	8	4	65	115	145	185	16	410	160	200	155	100	296	829	366	590	350	390	300	750	M25x1,5	M20x1,5	71,5	71,9
65-200/2.2R	80	134	160	200	18	8	4	65	115	145	185	16	455	180	225	155	100	296	829	366	590	380	420	330	750	M25x1,5	M20x1,5	74,0	74,4
65-200/2.2	80	134	160	200	18	8	4	65	115	145	185	16	455	180	225	155	100	296	829	366	590	380	420	330	750	M25x1,5	M20x1,5	74,0	74,4
65-200/3	80	134	160	200	18	8	4	65	115	145	185	16	455	180	225	155	100	296	829	366	590	380	420	330	750	M25x1,5	M20x1,5	77,5	77,5

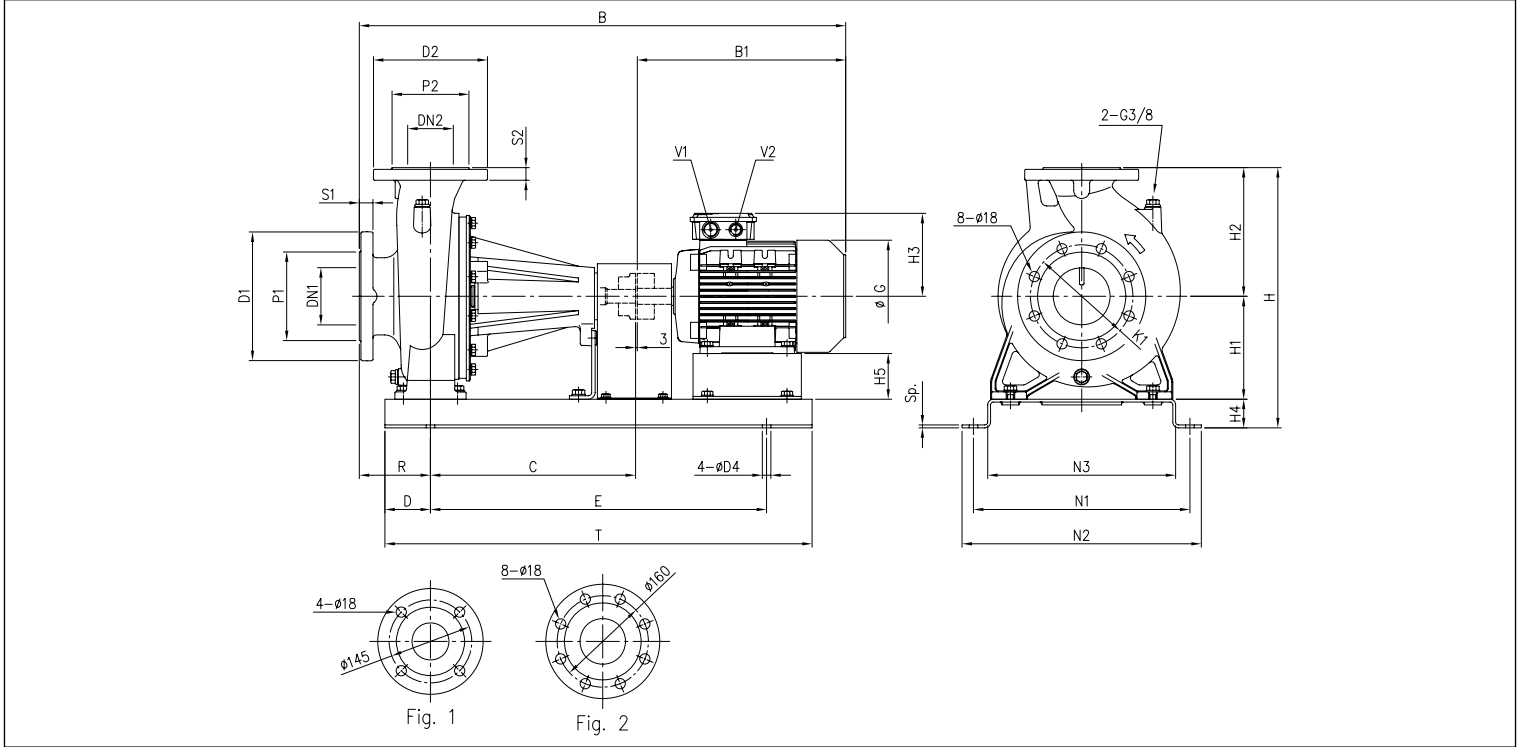
[1] Standard [2] On request [\*] Only for IE3 Motors

# 3 - 3L SERIES

CENTRIFUGAL ELECTRIC PUMPS STANDARDISED IN COMPLIANCE WITH EN 733  
(EX DIN 24255)

3LP4 65-250, 80

4 Poles



## DIMENSIONAL TABLE

Model	Dimensions [mm]																				Weight [kg]										
	DN1	P1	D1	S1	DN2	P2	D2	S2	H	H1	H2	H3	H4	H5	R	N1	N2	N3	B	B1	C	D	G	E	T	D4	Sp.	V1	V2	[*]	[*]
65-250/4	80	135	200	22	65 Fig. 1	120	185	20	510	200	250	171	60	88	100	510	570	440	961	388	470	100	225	760	960	19	8	M25x1,5	M20x1,5	113,5	119,1
65-250/5.5	80	135	200	22	65 Fig. 1	120	185	20	510	200	250	198	60	68	100	510	570	440	1015	442	470	100	248	760	960	19	8	M32x1,5	M32x1,5	130,0	140
80-160/1.5	100	155	225	24	80 Fig. 2	135	200	22	455	180	225	148	50	90	125	380	420	330	805	317	360	80	180	590	750	15	5	M25x1,5	M20x1,5	80,0	77,4
80-160/2.2R	100	155	225	24	80 Fig. 2	135	200	22	455	180	225	155	50	80	125	380	420	330	854	366	360	80	196	590	750	15	5	M25x1,5	M20x1,5	86,0	86,4
80-160/2.2	100	155	225	24	80 Fig. 2	135	200	22	455	180	225	155	50	80	125	380	420	330	854	366	360	80	196	590	750	15	5	M25x1,5	M20x1,5	100,5	100,9
80-200/3	100	155	225	24	80 Fig. 2	135	200	22	490	180	250	155	60	80	125	460	520	390	964	366	470	100	196	700	900	19	8	M25x1,5	M20x1,5	109,5	109,5
80-200/4R	100	155	225	24	80 Fig. 2	135	200	22	490	180	250	171	60	68	125	460	520	390	986	388	470	100	225	700	900	19	8	M25x1,5	M20x1,5	116,5	122,1
80-200/4	100	155	225	24	80 Fig. 2	135	200	22	490	180	250	171	60	68	125	460	520	390	986	388	470	100	225	700	900	19	8	M25x1,5	M20x1,5	117,0	122,6
80-250/5.5R	100	155	225	24	80 Fig. 2	135	200	22	540	200	280	198	60	68	125	510	570	440	1040	442	470	100	248	760	960	19	8	M32x1,5	M32x1,5	134,0	144
80-250/5.5	100	155	225	24	80 Fig. 2	135	200	22	540	200	280	198	60	68	125	510	570	440	1040	442	470	100	248	760	960	19	8	M32x1,5	M32x1,5	134,5	144,5
80-250/7.5	100	155	225	24	80 Fig. 2	135	200	22	540	200	280	198	60	68	125	510	570	440	1080	482	470	100	248	760	960	19	8	M32x1,5	M32x1,5	143,5	157,5

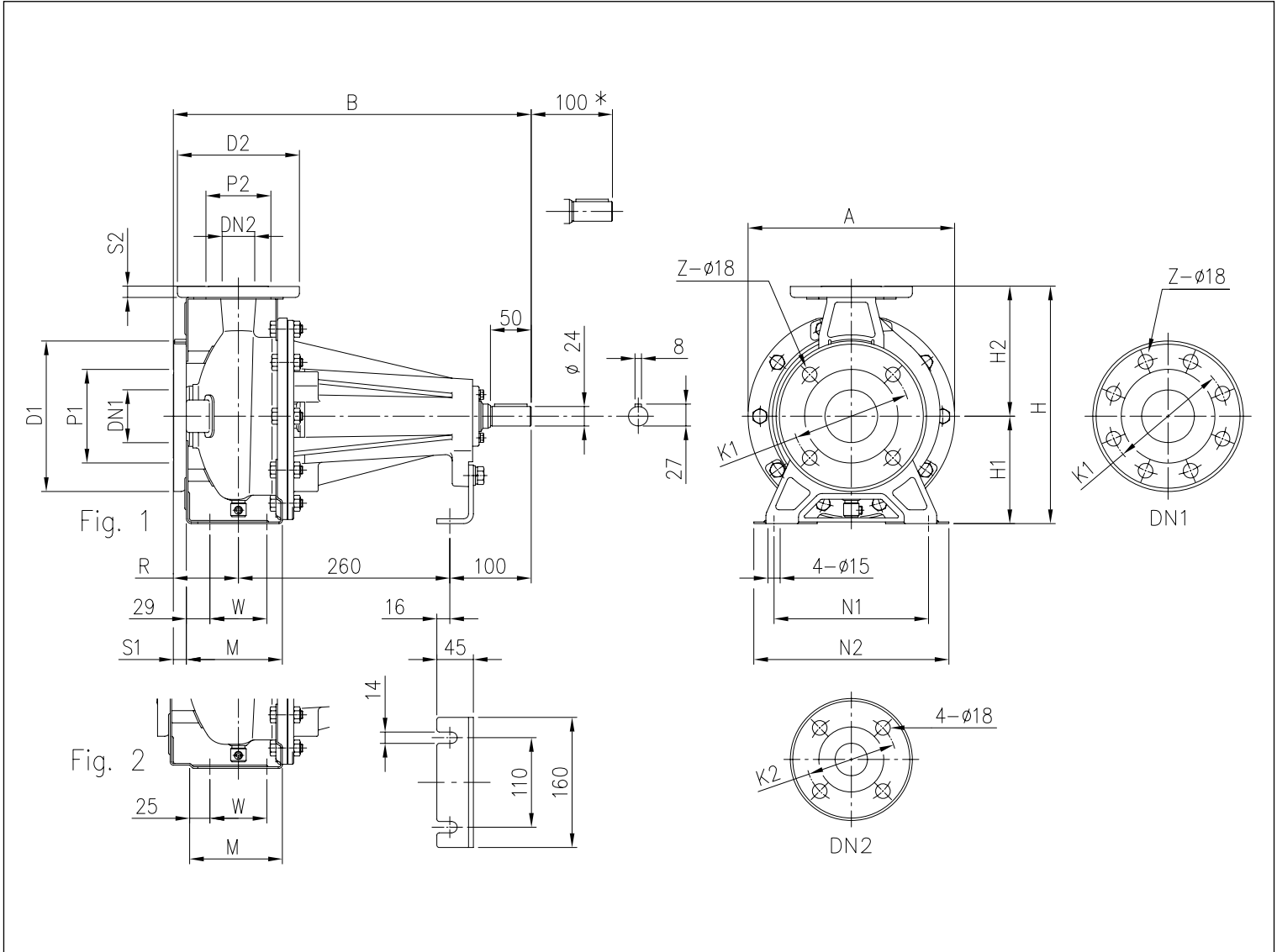
The contents of this publication must not be regarded as binding. EBARA Pumps Europe S.p.A. reserves the right to effect any modification it deems necessary, without prior notice.

# 3 - 3L SERIES

CENTRIFUGAL ELECTRIC PUMPS STANDARDISED IN COMPLIANCE WITH EN 733  
(EX DIN 24255)

3(L)PF4 32, 40, 50, 65

4 Poles



## DIMENSIONAL TABLE

Model	Fig.	Dimensions [mm]																				Weight [kg]		
		DN1	P1	K1	D1	S1	[1]	Z	[2]	DN2	P2	K2	D2	S2	H	H1	H2	M	N1	N2	R		W	A
32-125	1	50	95	125	165	16	4	-	32	75	100	140	14	252	112	140	114	140	190	80	70	213	440	17,0
32-160	1	50	95	125	165	16	4	-	32	75	100	140	14	292	132	160	118	190	240	80	70	254	440	19,0
32-200	1	50	95	125	165	16	4	-	32	75	100	140	14	340	160	180	119	190	240	80	70	296	440	27,0
40-125	1	65	115	145	185	16	4	-	40	80	110	150	14	252	112	140	114	160	210	80	70	213	440	17,0
40-160	1	65	115	145	185	16	4	-	40	80	110	150	14	292	132	160	118	190	240	80	70	254	440	19,0
40-200	2	65	115	145	185	16	4	-	40	80	110	150	14	340	160	180	115	212	265	100	70	296	460	27,0
50-125	2	65	115	145	185	16	4	-	50	95	125	165	16	292	132	160	114	190	240	100	70	254	460	19,0
50-160	2	65	115	145	185	16	4	-	50	95	125	165	16	340	160	180	115	212	265	100	70	296	460	28,0
50-200	2	65	115	145	185	16	4	-	50	95	125	165	16	360	160	200	115	212	265	100	70	296	460	27,0
65-125	2	80	134	160	200	18	8	4	65	115	145	185	16	340	160	180	140	212	280	100	95	254	460	28,0
65-160	2	80	134	160	200	18	8	4	65	115	145	185	16	360	160	200	140	212	280	100	95	296	460	29,0
65-200	2	80	134	160	200	18	8	4	65	115	145	185	16	405	180	225	140	250	320	100	95	296	460	30,0

[1] Standard

[2] On request

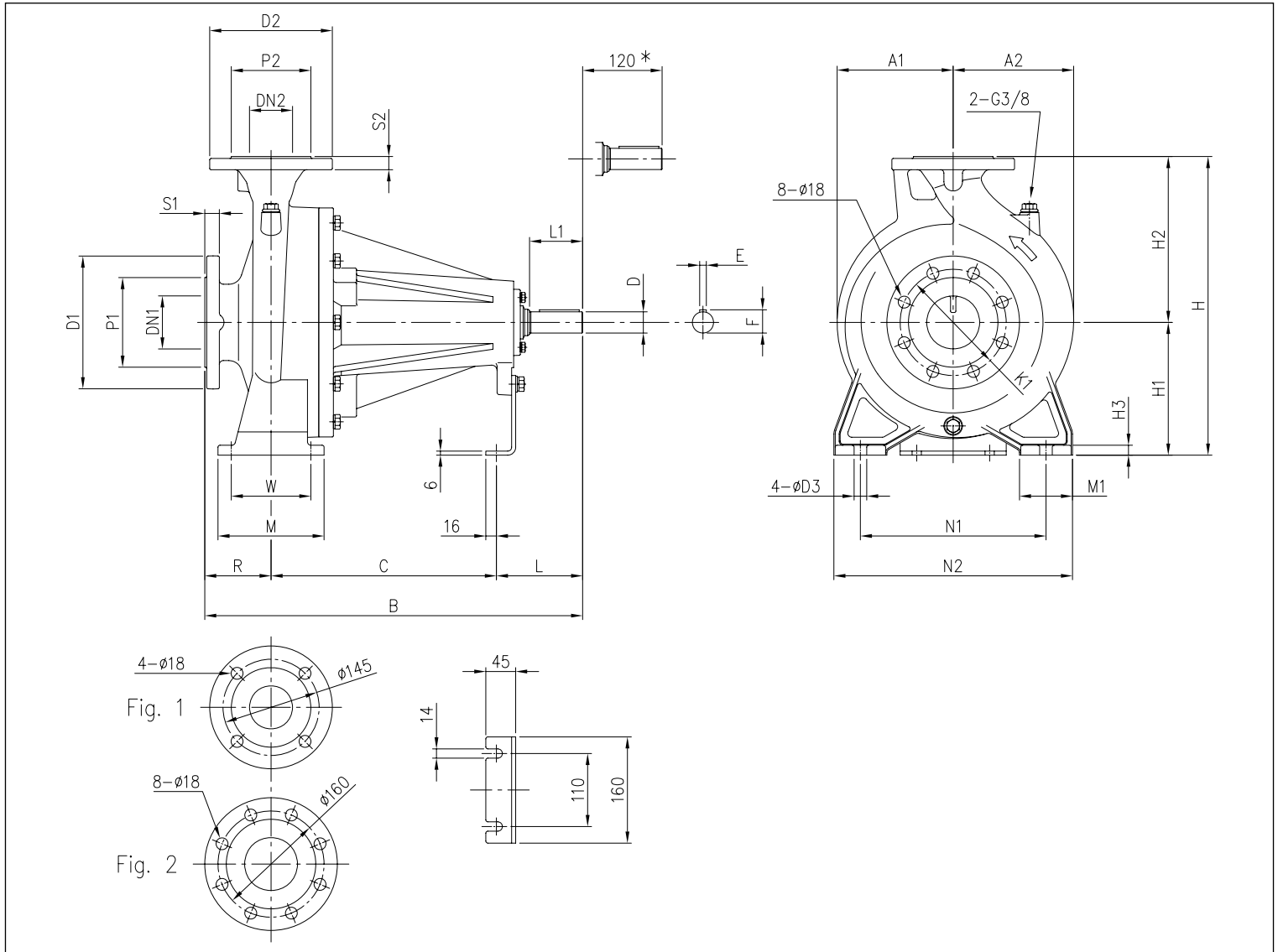
\* Space where it is possible to disassemble the pump with spacer joint without disassembling the motor.

# 3 - 3L SERIES

CENTRIFUGAL ELECTRIC PUMPS STANDARDISED IN COMPLIANCE WITH EN 733  
(EX DIN 24255)

3LPF4 65-250, 80

4 Poles



## DIMENSIONAL TABLE

Model	Dimensions [mm]																				Weight [kg]									
	DN1	P1	K1	D1	S1	DN2	P2	D2	S2	H	H1	H2	H3	R	W	N1	N2	M	M1	L		L1	D	D3	E	F	A1	A2	B	C
65-250	80	135	160	200	22	65 Fig. 1	120	185	20	450	200	250	15	100	120	280	360	160	80	130	80	32	19	10	35	175	182	570	340	82,0
80-160	100	155	180	225	24	80 Fig. 2	135	200	22	405	180	225	13	125	95	250	320	125	65	100	50	24	15	8	27	147	173	485	260	56,0
80-200	100	155	180	225	24	80 Fig. 2	135	200	22	430	180	250	13	125	95	280	345	125	65	130	80	32	15	10	35	175	182	595	340	83,0
80-250	100	155	180	225	24	80 Fig. 2	135	200	22	480	200	280	15	125	120	315	400	160	80	130	80	32	19	10	35	175	192	595	340	84,0

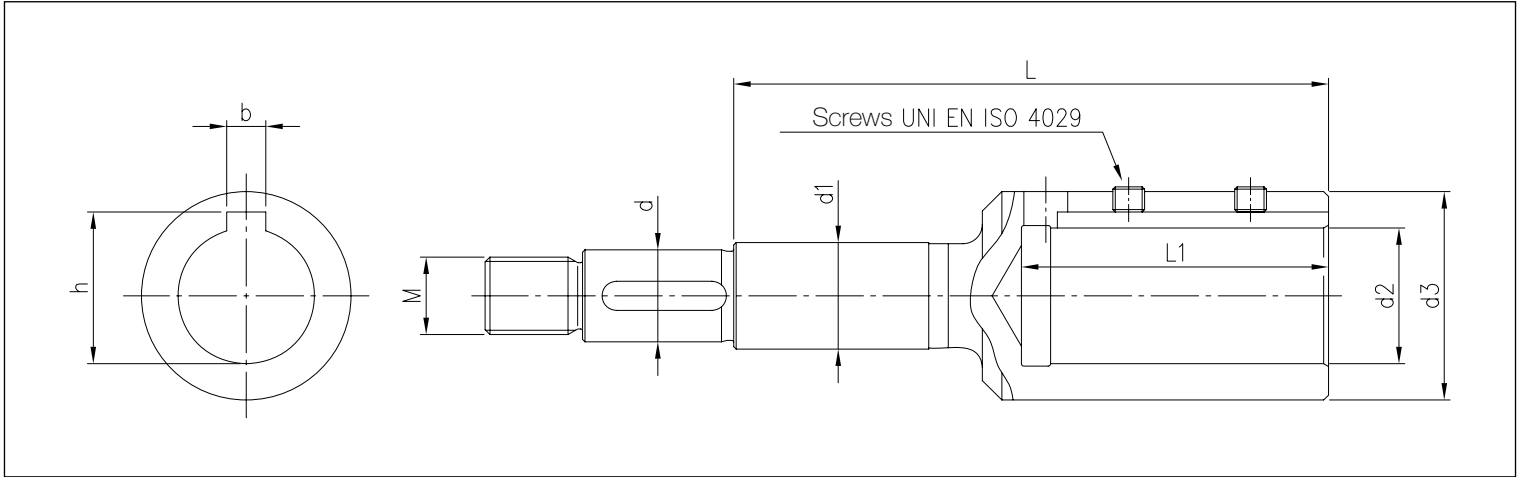
\* Space where it is possible to disassemble the pump with spacer joint without disassembling the motor.

# 3 - 3L SERIES

CENTRIFUGAL ELECTRIC PUMPS STANDARDISED IN COMPLIANCE WITH EN 733  
(EX DIN 24255)

Joint for 3(L)S4 SERIES

4 Poles



DIMENSIONAL TABLE

Model	[HP]	[kW]	Motor size	Dimensions [mm]									
				d	d1	d2	d3	M	L	L1	b	h	Screws
32-125/0.25	0,33	0,25	71	19	22	14	28	M16x1,5	88	33	5	16,3	M5x6
32-160/0.37R	0,5	0,37	71	19	22	14	28	M16x1,5	88	33	5	16,3	M5x6
32-160/0.37	0,5	0,37	71	19	22	14	28	M16x1,5	88	33	5	16,3	M5x6
32-200/0.55R	0,75	0,55	80	19	22	19	33	M16x1,5	98	43	6	21,8	M6x6
32-200/0.55	0,75	0,55	80	19	22	19	33	M16x1,5	98	43	6	21,8	M6x6
32-200/0.75	1	0,75	80	19	22	19	33	M16x1,5	98	43	6	21,8	M6x6
40-125/0.37R	0,5	0,37	71	19	22	14	28	M16x1,5	88	33	5	16,3	M5x6
40-125/0.37	0,5	0,37	71	19	22	14	28	M16x1,5	88	33	5	16,3	M5x6
40-160/0.55R	0,75	0,55	80	19	22	19	33	M16x1,5	98	43	6	21,8	M6x6
40-160/0.55	0,75	0,55	80	19	22	19	33	M16x1,5	98	43	6	21,8	M6x6
40-200/1.1R	1,5	1,1	90	19	22	24	39	M16x1,5	110	53	8	27,3	M8x8
40-200/1.1	1,5	1,1	90	19	22	24	39	M16x1,5	110	53	8	27,3	M8x8
40-200/1.5	2	1,5	90	19	22	24	39	M16x1,5	110	53	8	27,3	M8x8
50-125/0.55R	0,75	0,55	80	19	22	19	33	M16x1,5	98	43	6	21,8	M6x6
50-125/0.55	0,75	0,55	80	19	22	19	33	M16x1,5	98	43	6	21,8	M6x6
50-160/1.1R	1,5	1,1	90	19	22	24	39	M16x1,5	110	53	8	27,3	M8x8
50-160/1.1	1,5	1,1	90	19	22	24	39	M16x1,5	110	53	8	27,3	M8x8
50-200/1.5R	2	1,5	90	19	22	24	39	M16x1,5	110	53	8	27,3	M8x8
50-200/1.5	2	1,5	90	19	22	24	39	M16x1,5	110	53	8	27,3	M8x8
50-200/2.2	3	2,2	100	22	22	28	43	M18x1,5	153	63	8	31,3	M8x8
65-125/0.55	0,75	0,55	80	19	22	19	33	M16x1,5	98	43	6	21,8	M6x6
65-125/0.75	1	0,75	80	19	22	19	33	M16x1,5	98	43	6	21,8	M6x6
65-125/1.1	1,5	1,1	90	19	22	24	39	M16x1,5	110	53	8	27,3	M8x8
65-160/1.1	1,5	1,1	90	19	22	24	39	M16x1,5	110	53	8	27,3	M8x8
65-160/1.5	2	1,5	90	19	22	24	39	M16x1,5	110	53	8	27,3	M8x8
65-160/2.2	3	2,2	100	19	22	28	43	M16x1,5	122	63	8	31,3	M8x8
65-200/2.2R	3	2,2	100	19	22	28	43	M16x1,5	122	63	8	31,3	M8x8
65-200/2.2	3	2,2	100	19	22	28	43	M16x1,5	122	63	8	31,3	M8x8
65-200/3	4	3	100	19	22	28	43	M16x1,5	122	63	8	31,3	M8x8
65-250/4	5,5	4	112	24	30	28	43	M20x1,5	128	63	8	31,3	M8x8
65-250/5.5	7,5	5,5	132	24	30	38	58	M20x1,5	151	84	10	41,3	M8x8
80-160/1.5	2	1,5	90	19	22	24	39	M16x1,5	110	53	8	27,3	M8x8
80-160/2.2R	3	2,2	100	19	22	28	43	M16x1,5	122	63	8	31,3	M8x8
80-160/2.2	3	2,2	100	19	22	28	43	M16x1,5	122	63	8	31,3	M8x8
80-200/3	4	3	100	24	30	28	43	M20x1,5	128	63	8	31,3	M8x8
80-200/4R	5,5	4	112	24	30	28	43	M20x1,5	128	63	8	31,3	M8x8
80-200/4	5,5	4	112	24	30	28	43	M20x1,5	128	63	8	31,3	M8x8
80-250/5.5R	7,5	5,5	132	24	30	38	58	M20x1,5	151	84	10	41,3	M8x8
80-250/5.5	7,5	5,5	132	24	30	38	58	M20x1,5	151	84	10	41,3	M8x8
80-250/7.5	10	7,5	132	24	30	38	58	M20x1,5	151	84	10	41,3	M8x8

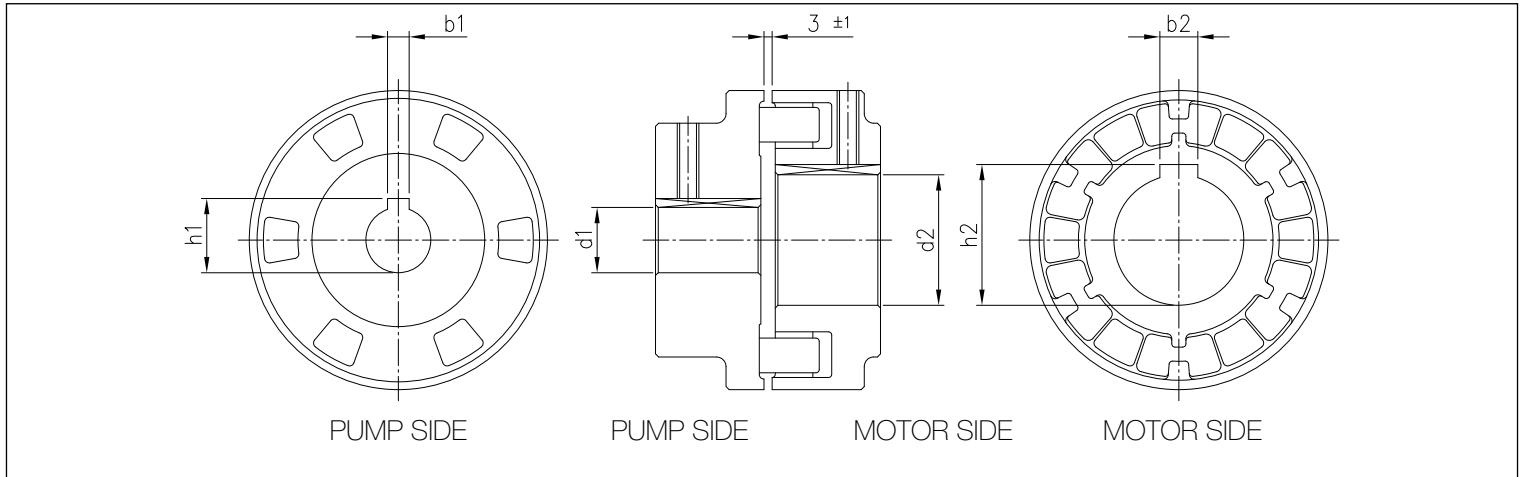
The contents of this publication must not be regarded as binding. EBARA Pumps Europe S.p.A. reserves the right to effect any modification it deems necessary, without prior notice.

# 3 - 3L SERIES

**CENTRIFUGAL ELECTRIC PUMPS STANDARDISED IN COMPLIANCE WITH EN 733  
(EX DIN 24255)**

Joint for 3(L)P4 SERIES

4 Poles



## DIMENSIONAL TABLE

Model	[HP]	[kW]	Motor size	Dimensions [mm]					
				d1	b1	h1	d2	b2	h2
32-125/0.25	0,33	0,25	71	24	8	27,3	14	5	16,3
32-160/0.37R	0,5	0,37	71	24	8	27,3	14	5	16,3
32-160/0.37	0,5	0,37	71	24	8	27,3	14	5	16,3
32-200/0.55R	0,75	0,55	80	24	8	27,3	19	6	21,8
32-200/0.55	0,75	0,55	80	24	8	27,3	19	6	21,8
32-200/0.75	1	0,75	80	24	8	27,3	19	6	21,8
40-125/0.37R	0,5	0,37	71	24	8	27,3	14	5	16,3
40-125/0.37	0,5	0,37	71	24	8	27,3	14	5	16,3
40-160/0.55R	0,75	0,55	80	24	8	27,3	19	6	21,8
40-160/0.55	0,75	0,55	80	24	8	27,3	19	6	21,8
40-200/1.1R	1,5	1,1	90	24	8	27,3	24	8	27,3
40-200/1.1	1,5	1,1	90	24	8	27,3	24	8	27,3
40-200/1.5	2	1,5	90	24	8	27,3	24	8	27,3
50-125/0.55R	0,75	0,55	80	24	8	27,3	19	6	21,8
50-125/0.55	0,75	0,55	80	24	8	27,3	19	6	21,8
50-160/1.1R	1,5	1,1	90	24	8	27,3	24	8	27,3
50-160/1.1	1,5	1,1	90	24	8	27,3	24	8	27,3
50-200/1.5R	2	1,5	90	24	8	27,3	24	8	27,3
50-200/1.5	2	1,5	90	24	8	27,3	24	8	27,3
50-200/2.2	3	2,2	100	24	8	27,3	28	8	31,3
65-125/0.55	0,75	0,55	80	24	8	27,3	19	6	21,8
65-125/0.75	1	0,75	80	24	8	27,3	19	6	21,8
65-125/1.1	1,5	1,1	90	24	8	27,3	24	8	27,3
65-160/1.1	1,5	1,1	90	24	8	27,3	24	8	27,3
65-160/1.5	2	1,5	90	24	8	27,3	24	8	27,3
65-160/2.2	3	2,2	100	24	8	27,3	28	8	31,3
65-200/2.2R	3	2,2	100	24	8	27,3	28	8	31,3
65-200/2.2	3	2,2	100	24	8	27,3	28	8	31,3
65-200/3	4	3	100	24	8	27,3	28	8	31,3
65-250/4	5,5	4	112	32	10	35,3	28	8	31,3
65-250/5.5	7,5	5,5	132	32	10	35,3	38	10	41,3
80-160/1.5	2	1,5	90	24	8	27,3	24	8	27,3
80-160/2.2R	3	2,2	100	24	8	27,3	28	8	31,3
80-160/2.2	3	2,2	100	24	8	27,3	28	8	31,3
80-200/3	4	3	100	32	10	35,3	28	8	31,3
80-200/4R	5,5	4	112	32	10	35,3	28	8	31,3
80-200/4	5,5	4	112	32	10	35,3	28	8	31,3
80-250/5.5R	7,5	5,5	132	32	10	35,3	38	10	41,3
80-250/5.5	7,5	5,5	132	32	10	35,3	38	10	41,3
80-250/7.5	10	7,5	132	32	10	35,3	38	10	41,3

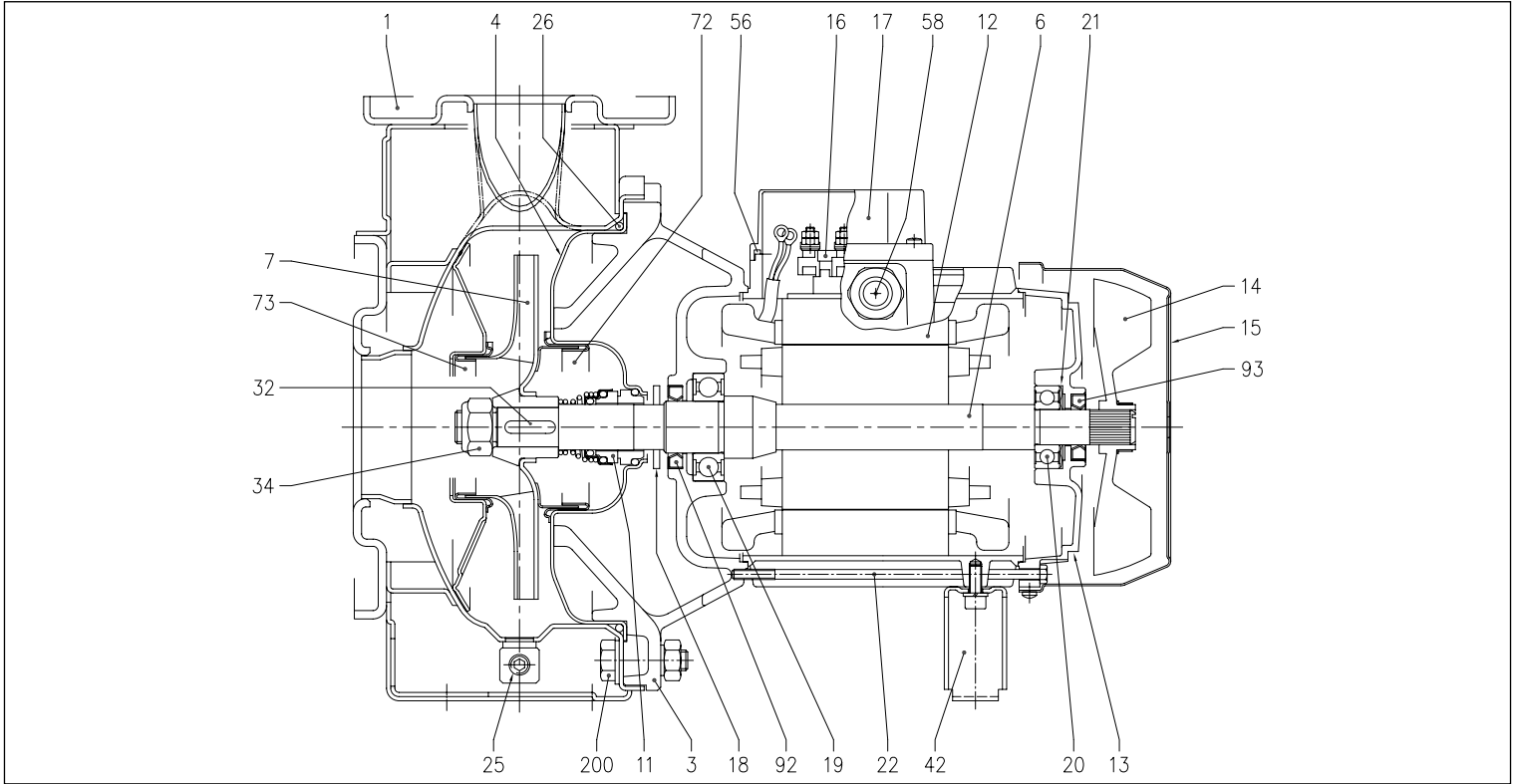
The contents of this publication must not be regarded as binding. EBARA Pumps Europe S.p.A. reserves the right to effect any modification it deems necessary, without prior notice.

# 3 - 3L SERIES

**CENTRIFUGAL ELECTRIC PUMPS STANDARDISED IN COMPLIANCE WITH EN 733 (EX DIN 24255)**

SECTIONAL VIEW 3(L)M4 SERIES 32, 40, 50, 65

4 Poles



## MATERIALS TABLE

Ref.	Name	Materials	
		3M4	3LM4
001	Pump casing	EN 1.4301 (AISI 304)	EN 1.4404 (AISI 316L)
003	Motor bracket	Cast iron EN-GJL-200-EN 1561	
004	Casing cover	EN 1.4301 (AISI 304)	EN 1.4404 (AISI 316L)
006	Shaft (part in contact with the liquid)	EN 1.4301 (AISI 304)	EN 1.4404 (AISI 316L)
007	Impeller	32, 40, 50 65-125/160/200	EN 1.4401 (AISI 316)
011	Mechanical seal	Carbon/Ceramic/NBR	SiC/SiC/FPM
012	Motor frame	-	
013	Motor cover	Aluminium	
014	Fan	Polyamide	
015	Fan cover	Galvanised steel Fe P04	
016	Terminal box	-	
017	Terminal box cover	Aluminium (three phase version)	
018	Spray protector washer	NBR	-
019	Bearing (pump side)	-	
020	Bearing (motor side)	-	
021	Adjusting ring	Steel C70	
022	Tie-rod	Galvanised steel Fe 42	
025	Plug	EN 1.4401 (AISI 316) / PTFE	
026	O-Ring	NBR	FPM
032	Key	EN 1.4401 (AISI 316)	
034	Impeller nut	EN 1.4301 (AISI 304)	EN 1.4404 (AISI 316L)
042	Motor support	Aluminium / Galvanised Steel	
056	Terminal box cover gasket	NBR	
058	Cable gland	-	
072	Casing ring [1]	EN 1.4301 (AISI 304)	EN 1.4404 (AISI 316L)
073	Casing ring	EN 1.4301 (AISI 304)	EN 1.4404 (AISI 316L)
092	Seal ring	-	-
093	Seal ring	-	-
200	Screw (pump body)	Stainless steel A2 70 class ISO 3506/1	

[1]= For 32-200, 40-200, 50-160, 50-200 versions

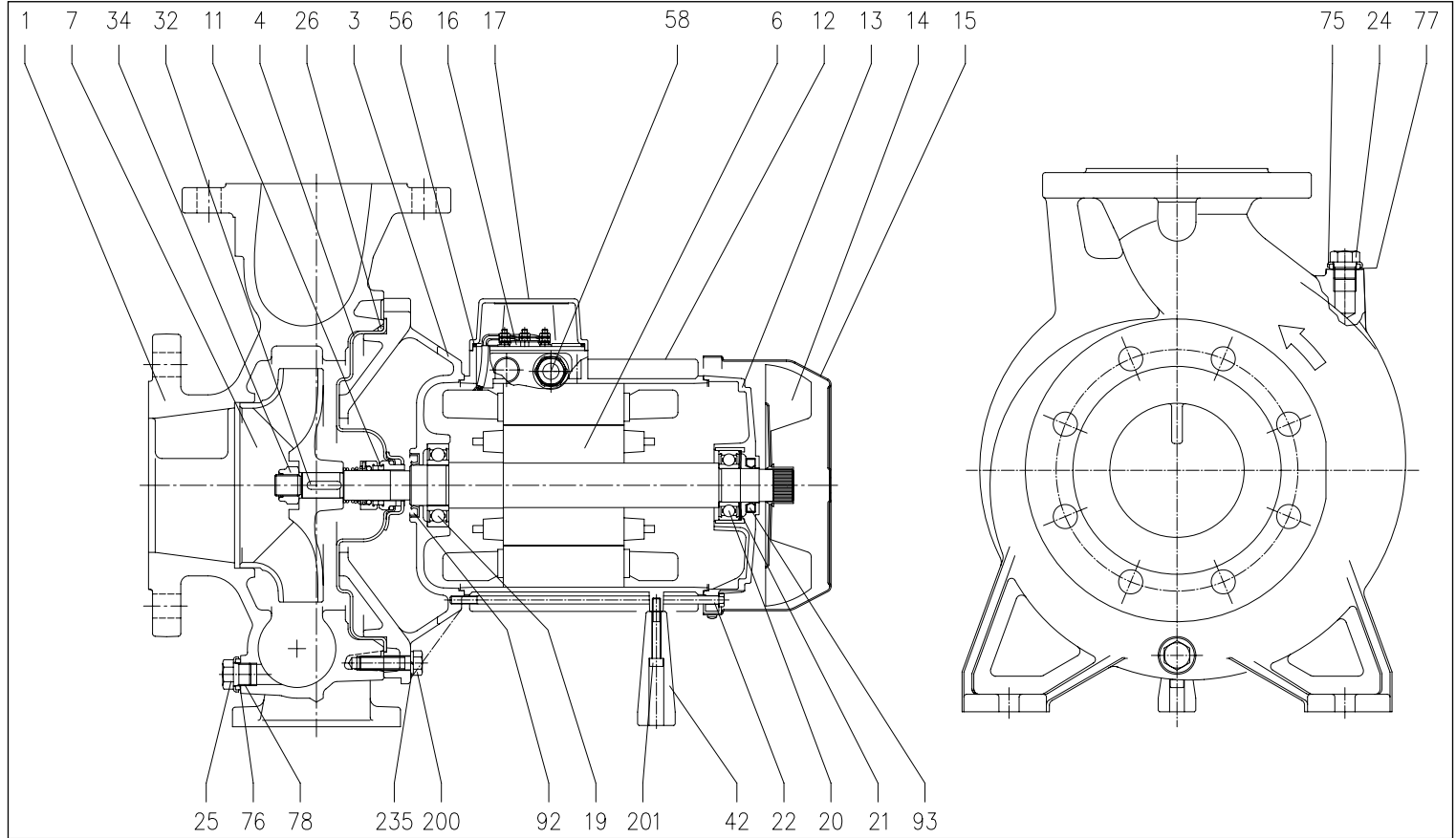


# 3 - 3L SERIES

CENTRIFUGAL ELECTRIC PUMPS STANDARDISED IN COMPLIANCE WITH EN 733  
(EX DIN 24255)

SECTIONAL VIEW 3LM4 SERIES 80-160

4 Poles



MATERIALS TABLE

Ref.	Name	Materials	Ref.	Name	Materials
001	Pump casing	EN 1.4401 (AISI 316)	025	Plug	EN 1.4404 (AISI 316L)
003	Motor bracket	Cast iron EN-GJL-200-EN 1561	026	O-Ring	FPM
004	Casing cover	EN 1.4404 (AISI 316L)	032	Key	EN 1.4404 (AISI 316L)
006	Shaft	EN 1.4404 (AISI 316L) Part in contact with the liquid	034	Impeller nut	EN 1.4404 (AISI 316L)
007	Impeller	EN 1.4401 (AISI 316)	042	Motor support	Aluminium
011	Mechanical seal	SiC/SiC/FPM	056	Terminal box cover gasket	NBR
012	Motor frame	-	058	Cable gland	-
013	Motor cover	Aluminium	075	Washer	EN 1.4404 (AISI 316L)
014	Fan	Polyamide	076	Washer	EN 1.4404 (AISI 316L)
015	Fan cover	Galvanised steel Fe P04	077	O-Ring	FPM
016	Terminal box	-	078	O-Ring	
017	Terminal box cover	Aluminium	092	Seal ring	-
019	Bearing (pump side)	-	093	Seal ring	-
020	Bearing (motor side)	-	200	Screw (pump body)	Stainless steel A2-70 class ISO 3506/1
021	Adjusting ring	Steel C70	201	Foot screw	Stainless steel A2-70 class ISO 3506/1
022	Tie-rod	Galvanised steel Fe 42	235	Washer	EN 1.4301 (AISI 304)
024	Plug	EN 1.4404 (AISI 316L)			

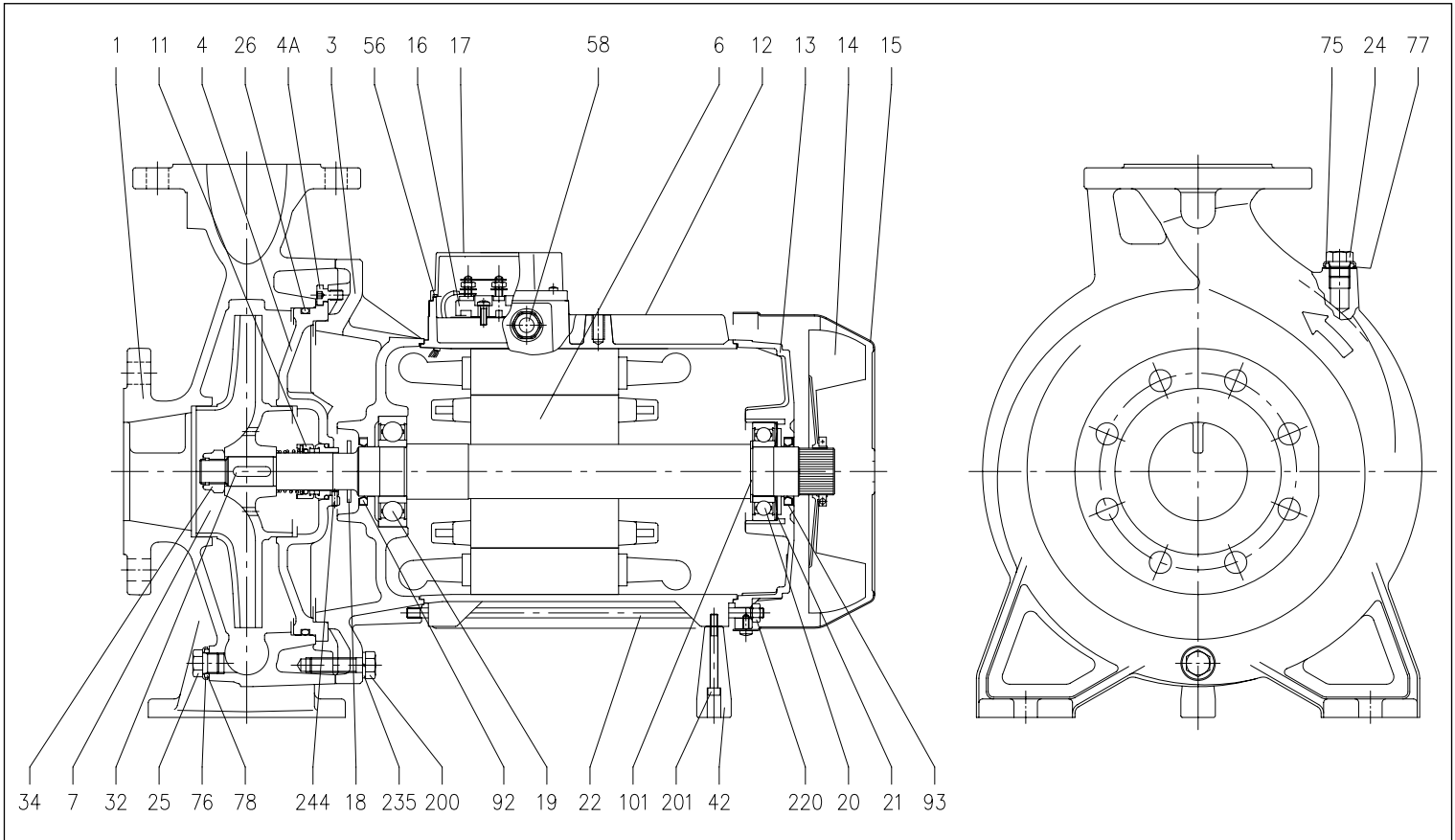
The contents of this publication must not be regarded as binding. EBARA Pumps Europe S.p.A. reserves the right to effect any modification it deems necessary, without prior notice.

# 3 - 3L SERIES

**CENTRIFUGAL ELECTRIC PUMPS STANDARDISED IN COMPLIANCE WITH EN 733 (EX DIN 24255)**

**SECTIONAL VIEW 3LM4 SERIES 65-250, 80**

**4 Poles**



## MATERIALS TABLE

Ref.	Name	Materials	Ref.	Name	Materials
001	Pump casing	EN 1.4401 (AISI 316)	032	Key	EN 1.4404 (AISI 316L)
003	Motor bracket	Cast iron EN-GJL-200-EN 1561	034	Impeller nut	Aluminium
004	Casing cover	EN 1.4401 (AISI 316)	042	Motor support	Aluminium
004A	Casing cover screw	EN 1.4301 (AISI 304)	056	Terminal box cover gasket	NBR
006	Shaft	EN 1.4404 (AISI 316L) Part in contact with the liquid	058	Cable gland	-
007	Impeller	EN 1.4401 (AISI 316)	075	Washer	EN 1.4404 (AISI 316L)
011	Mechanical seal	SiC/SiC/FPM	076	Washer	
012	Motor frame	-	077	O-Ring	
013	Motor cover	Aluminium	078	O-Ring	FPM
014	Fan	Polyamide	092	Seal ring (3-4 kW, 5,5-7,5 kW)	-
015	Fan cover	Galvanised steel Fe P04		093	Seal ring (3 kW, 4 kW, 5,5-7,5 kW)
016	Terminal box	-	101	Seeger ring (only for 5,5-7,5 kW)	Carbon steel TC 80
017	Terminal box cover	Aluminium		200	Screw (pump body)
018	Spray protector washer	NBR	201	Foot screw	Stainless steel A2-70 class ISO 3506/1
019	Bearing (pump side)	-	220	Tie-rod nut	Galvanised Steel
020	Bearing (motor side)	-	235	Washer	EN 1.4301(AISI 304)
021	Adjusting ring	Steel C70	244	Plug [1]	EN 1.4301(AISI 304)
022	Tie-rod	Galvanised steel Fe 42			
024	Plug	EN 1.4404 (AISI 316L)			
025	Plug	EN 1.4404 (AISI 316L)			
026	O-Ring	FPM			

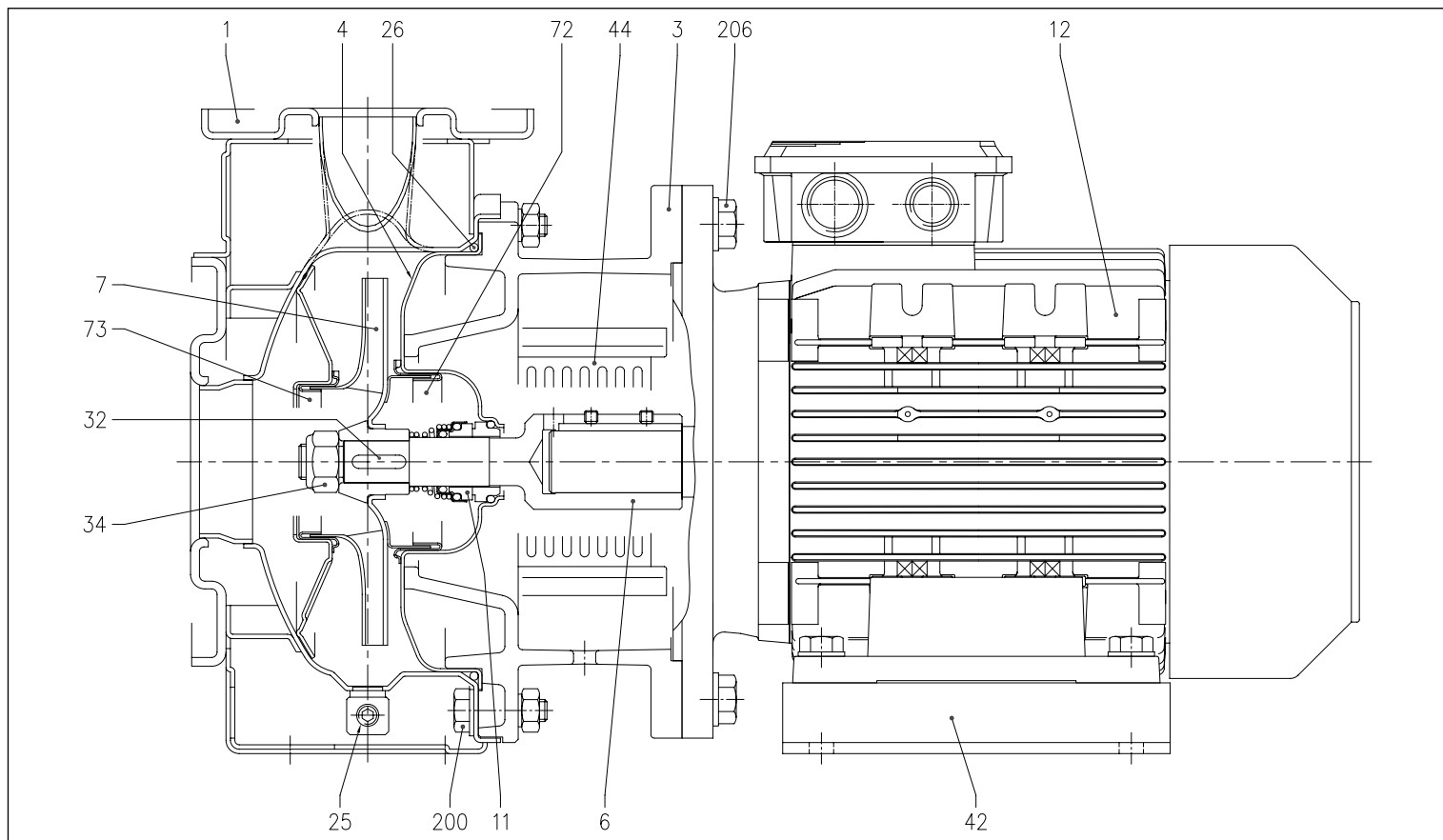
[1]= Not for H and E versions

# 3 - 3L SERIES

**CENTRIFUGAL ELECTRIC PUMPS STANDARDISED IN COMPLIANCE WITH EN 733  
(EX DIN 24255)**

**SECTIONAL VIEW 3(L)S4 SERIES 32, 40, 50, 65**

**4 Poles**



## MATERIALS TABLE

Ref.	Name	Materials	
		3S4	3LS4
001	Pump casing	EN 1.4301 (AISI 304)	EN 1.4404 (AISI 316L)
003	Motor bracket	Cast iron EN-GJL-200-EN 1561	
004	Casing cover	EN 1.4301 (AISI 304)	EN 1.4404 (AISI 316L)
006	Joint - Part in contact with the liquid	EN 1.4301 (AISI 304)	EN 1.4404 (AISI 316L)
007	Impeller	EN 1.4301 (AISI 304)	EN 1.4404 (AISI 316L)
	32, 40, 50 65-125/160/200	EN 1.4401 (AISI 316)	
011	Mechanical seal	Carbon/Ceramic/NBR	SiC/SiC/FPM
012	Motor	-	
025	Plug	EN 1.4401 (AISI 316) / PTFE	
026	O-Ring	NBR	FPM
032	Key	up to 1 kW	EN 1.4401 (AISI 316)
034	Impeller nut	EN 1.4301 (AISI 304)	EN 1.4404 (AISI 316L)
042	Motor support	Galvanised Steel	
044	Support protection	EN 1.4301 (AISI 304)	
072	Casing ring [1]	not for 65 EN 1.4301 (AISI 304)	EN 1.4404 (AISI 316L)
073	Casing ring	not for 65 EN 1.4301 (AISI 304)	EN 1.4404 (AISI 316L)
200	Screw (pump body)	Stainless steel A2 70 class ISO 3506/1	
206	Screw	Galvanised Steel	

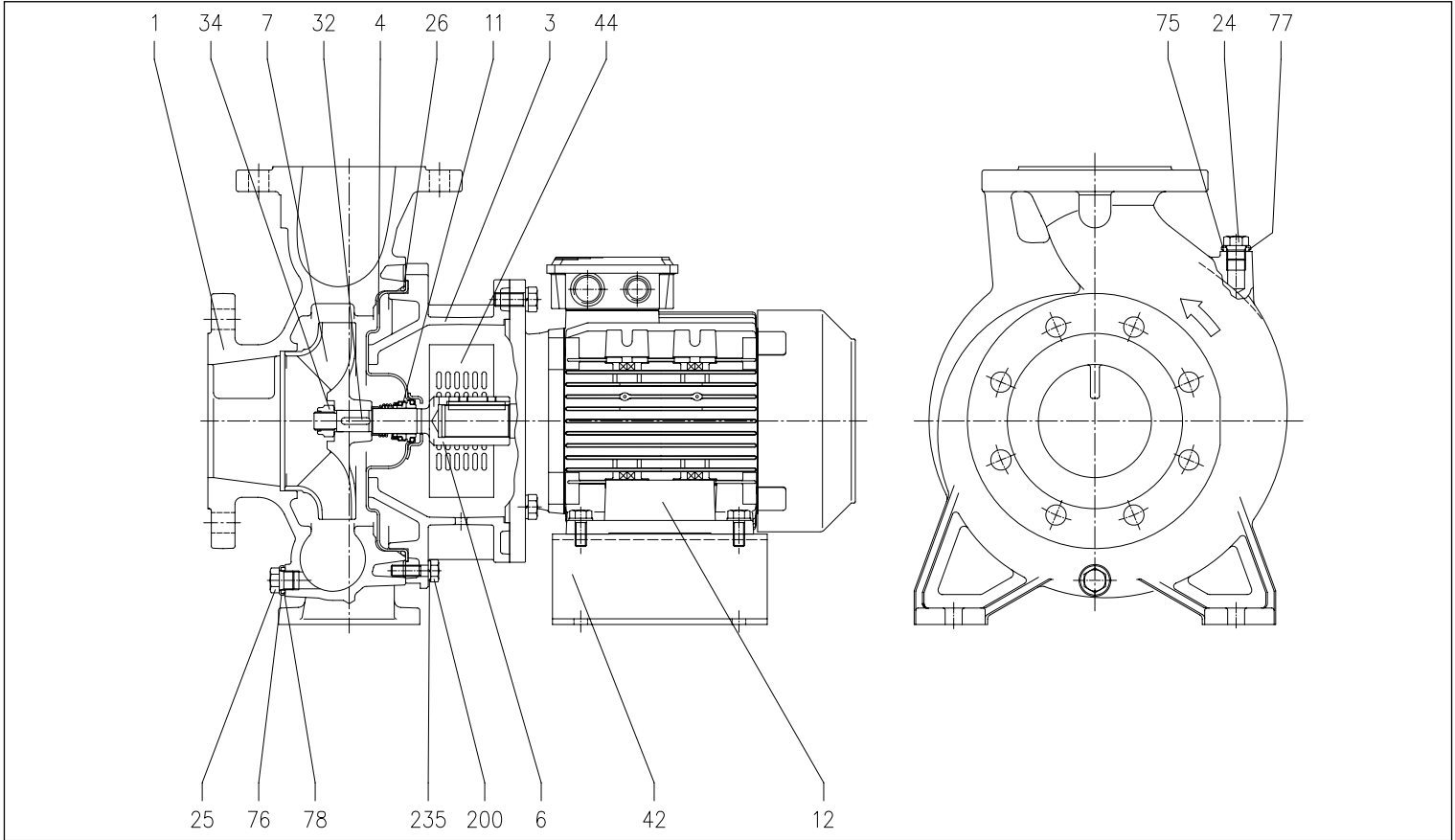
[1]= Only for 32-200, 40-200, 50-160, 50-200 versions

# 3 - 3L SERIES

CENTRIFUGAL ELECTRIC PUMPS STANDARDISED IN COMPLIANCE WITH EN 733  
(EX DIN 24255)

## SECTIONAL VIEW 3LS4 SERIES 80-160

4 Poles



## MATERIALS TABLE

Ref.	Name	Materials	Ref.	Name	Materials
001	Pump casing	EN 1.4401 (AISI 316)	032	Key	EN 1.4401 (AISI 316)
003	Motor bracket	Cast iron EN-GJL-200-EN 1561	034	Impeller nut	EN 1.4404 (AISI 316L)
004	Casing cover	EN 1.4404 (AISI 316L)	042	Motor support	Galvanised Steel
006	Joint	EN 1.4404 (AISI 316L)	044	Support protection	EN 1.4301 (AISI 304)
007	Impeller	EN 1.4401 (AISI 316)	075	Washer	EN 1.4404 (AISI 316L)
011	Mechanical seal	SiC/SiC/FPM	076	Washer	
012	Motor	-	077	O-Ring	FPM
024	Plug	EN 1.4404 (AISI 316L)	078	O-Ring	
025	Plug	EN 1.4404 (AISI 316L)	200	Screw (pump body)	Stainless steel A2-70 class ISO 3506/1
026	O-Ring	FPM	235	Washer	EN 1.4301(AISI 304)

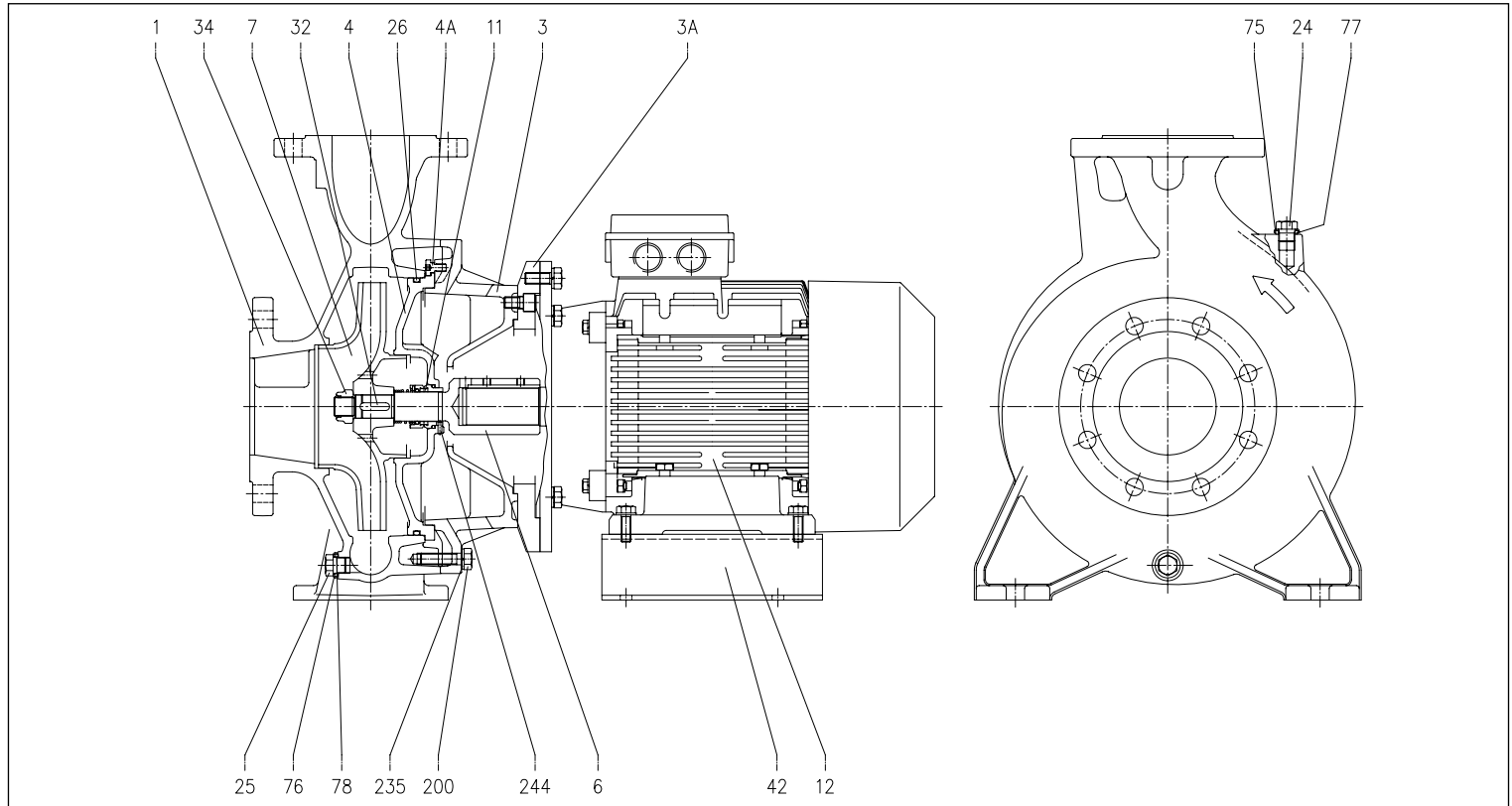
The contents of this publication must not be regarded as binding. EBARA Pumps Europe S.p.A. reserves the right to effect any modification it deems necessary, without prior notice.

# 3 - 3L SERIES

**CENTRIFUGAL ELECTRIC PUMPS STANDARDISED IN COMPLIANCE WITH EN 733  
(EX DIN 24255)**

**SECTIONAL VIEW 3LS4 SERIES 65-250, 80**

**4 Poles**



**MATERIALS TABLE**

Ref.	Name	Materials	Ref.	Name	Materials
001	Pump casing	EN 1.4401 (AISI 316)	032	Key	EN 1.4401 (AISI 316)
003	Motor bracket	Cast iron EN-GJL-200-EN 1561	034	Impeller nut	EN 1.4404 (AISI 316L)
003A	Adapter ring [1]	Cast iron EN-GJL-200-EN 1561	042	Motor bracket	Galvanised Steel
004	Casing cover	EN 1.4401 (AISI 316)	075	Washer	EN 1.4404 (AISI 316L)
004A	Casing cover screw disc	EN 1.4301(AISI 304)	076	Washer	
006	Joint	EN 1.4404 (AISI 316L)	077	O-Ring	FPM
007	Impeller	EN 1.4401 (AISI 316)	078	O-Ring	
011	Mechanical seal	SiC/SiC/FPM	200	Screw (pump body)	Stainless steel A2-70 class ISO 3506/1
012	Motor	-	235	Washer	EN 1.4301(AISI 304)
024	Plug	EN 1.4404 (AISI 316L)	244	Plug [2]	EN 1.4301(AISI 304)
025	Plug	EN 1.4404 (AISI 316L)			
026	O-Ring	FPM			

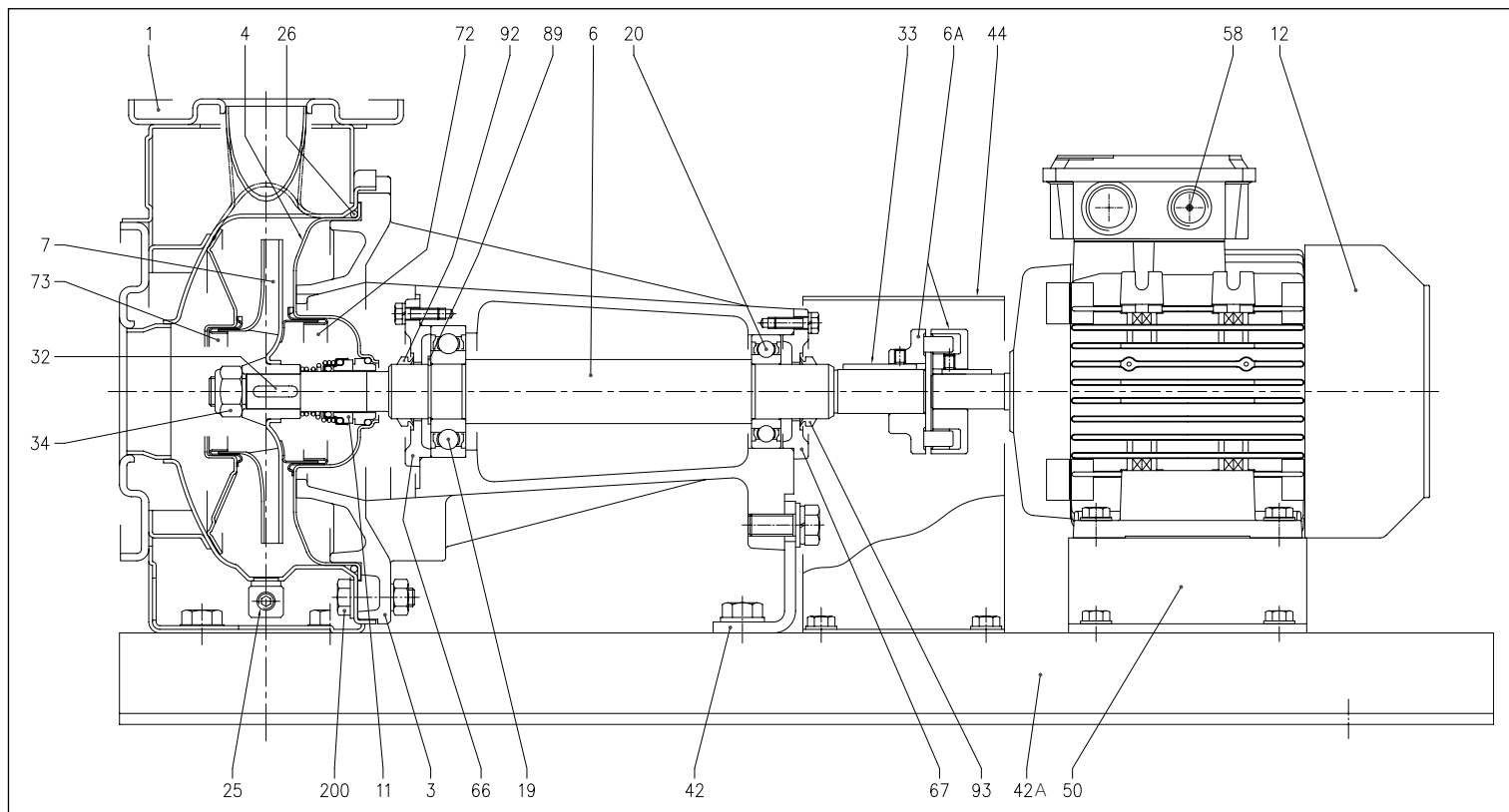
[1]= Only for 65-250/5.5 kW  
[2]= Not for H and E versions

# 3 - 3L SERIES

**CENTRIFUGAL ELECTRIC PUMPS STANDARDISED IN COMPLIANCE WITH EN 733 (EX DIN 24255)**

**SECTIONAL VIEW 3(L)P4 SERIES 32, 40, 50, 65**

**4 Poles**



**MATERIALS TABLE**

Ref.	Name	Materials	
		3P4	3LP4
001	Pump casing	EN 1.4301 (AISI 304)	EN 1.4404 (AISI 316L)
003	Motor bracket	Cast iron EN-GJL-200-EN 1561	
004	Casing cover	EN 1.4301 (AISI 304)	EN 1.4404 (AISI 316L)
006	Shaft - Part in contact with the liquid	EN 1.4301 (AISI 304)	EN 1.4404 (AISI 316L)
007	Impeller	EN 1.4301 (AISI 304) 32, 40, 50 65-125/160/200	EN 1.4404 (AISI 316L) EN 1.4401 (AISI 316)
011	Mechanical seal	Carbon/Ceramic/NBR Carbon/Ceramic/FPM (H option) SiC/SiC/FPM (HS option)	SiC/SiC/FPM
019	Bearing (pump side)	-	
020	Bearing (motor side)	-	
025	Plug	EN 1.4401 (AISI 316) / PTFE	
026	O-Ring	NBR	FPM
032	Key	EN 1.4401 (AISI 316)	
033	Key	C 40	
034	Impeller nut	EN 1.4301 (AISI 304)	EN 1.4404 (AISI 316L)
042	Motor support	Galvanised Steel	
066	Bracket cover	Cast iron EN-GJL-250-EN 1561	
067	Bracket cover	Cast iron EN-GJL-250-EN 1561	
072	Casing ring [1]	EN 1.4301 (AISI 304)	EN 1.4404 (AISI 316L)
073	Casing ring	EN 1.4301 (AISI 304)	EN 1.4404 (AISI 316L)
089	Seeger ring	Carbon steel TC 80	
092	Seal ring	-	
093	Seal ring	-	
200	Screw (pump body)	Stainless steel A2 70 class ISO 3506/1	

[1]= For 32-200/3, 32-200/4, 32-200/5.5, 40-200/5.5, 40-200/5.5, 40-200/7.5, 40-200/11, 50-160/5.5, 50-160/7.5, 50-200/9.2, 50-200/11, 50-200/15 versions

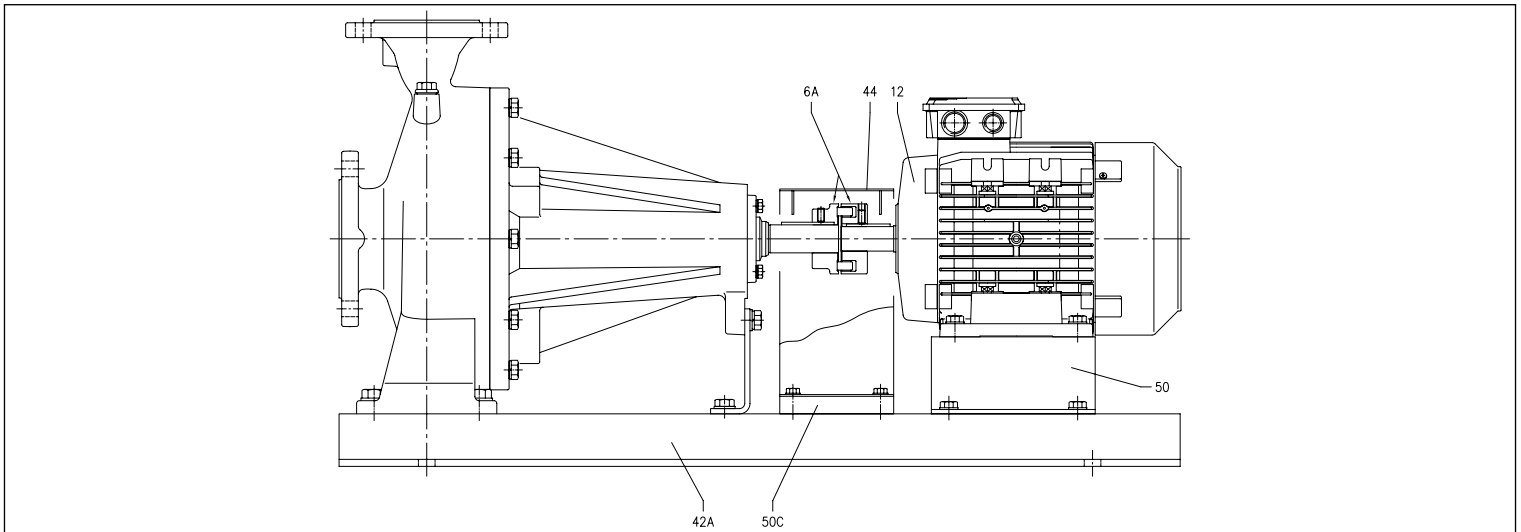
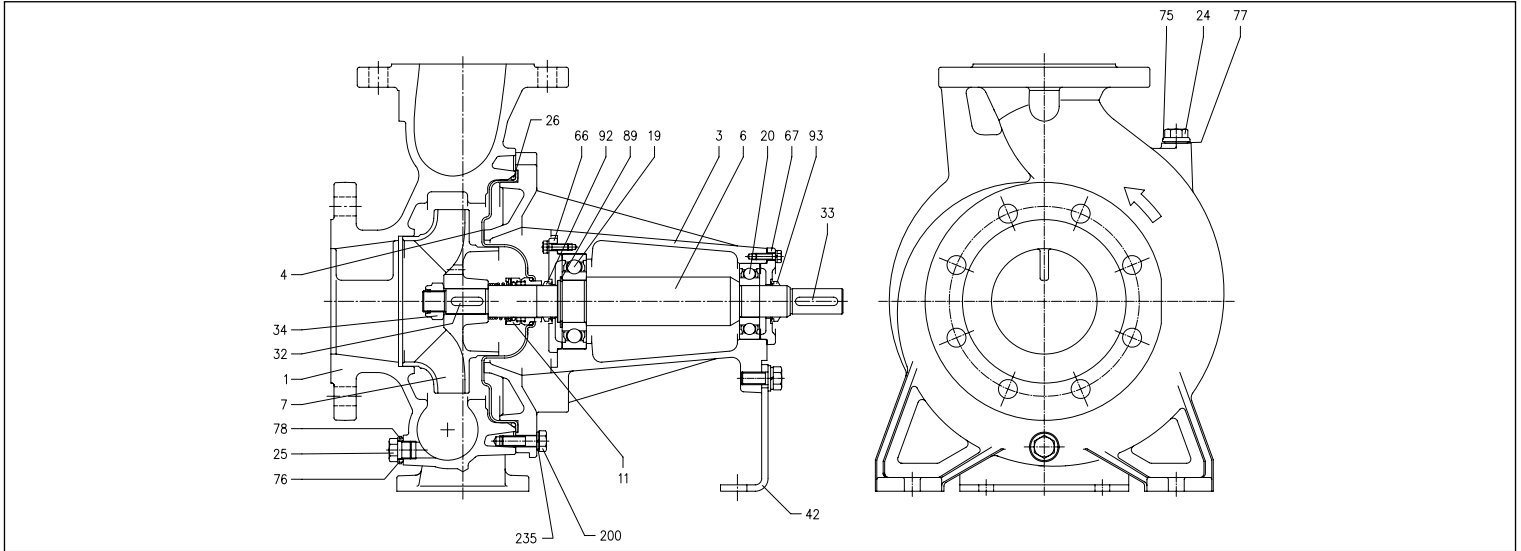
The contents of this publication must not be regarded as binding. EBARA Pumps Europe S.p.A. reserves the right to effect any modification it deems necessary, without prior notice.

# 3 - 3L SERIES

**CENTRIFUGAL ELECTRIC PUMPS STANDARDISED IN COMPLIANCE WITH EN 733 (EX DIN 24255)**

SECTIONAL VIEW 3LPF4 SERIES 80-160

4 Poles



**MATERIALS TABLE**

Ref.	Name	Materials	Ref.	Name	Materials
001	Pump casing	EN 1.4401 (AISI 316)	034	Impeller nut	EN 1.4404 (AISI 316L)
003	Motor bracket	Cast iron EN-GJL-200-EN 1561	042	Pump support	Galvanised Steel
004	Casing cover	EN 1.4404 (AISI 316L)	066	Bracket cover	Cast iron EN-GJL-200-EN 1561
006	Shaft	EN 1.4404 (AISI316L) Part in contact with the liquid	067	Bracket cover	Cast iron EN-GJL-200-EN 1561
007	Impeller	EN 1.4401 (AISI 316)	075	Washer	EN 1.4404 (AISI 316L)
011	Mechanical seal	SiC/SiC/FPM Ceramic/Carbon/FPM (H option) SiC/Carbon/EPDM (E option)	076	Washer	
012	Motor	-	077	O-Ring	FPM (EPDM vers. E)
019	Bearing (pump side)	-	078	O-Ring	
020	Bearing (motor side)	-	089	Seeger ring	Carbon steel TC 80
024	Plug	EN 1.4404 (AISI 316L)	092	V ring	-
025	Plug	EN 1.4404 (AISI 316L)	093	V ring	-
026	O-Ring	FPM (EPDM vers. E)	200	Screw (pump body)	Stainless steel A2 70 class ISO 3506/1
032	Key	EN 1.4401 (AISI 316)	200A	Screw	Stainless steel A2 70 class ISO 3506/1
033	Key	C 40	235	Washer	EN 1.4301(AISI 304)

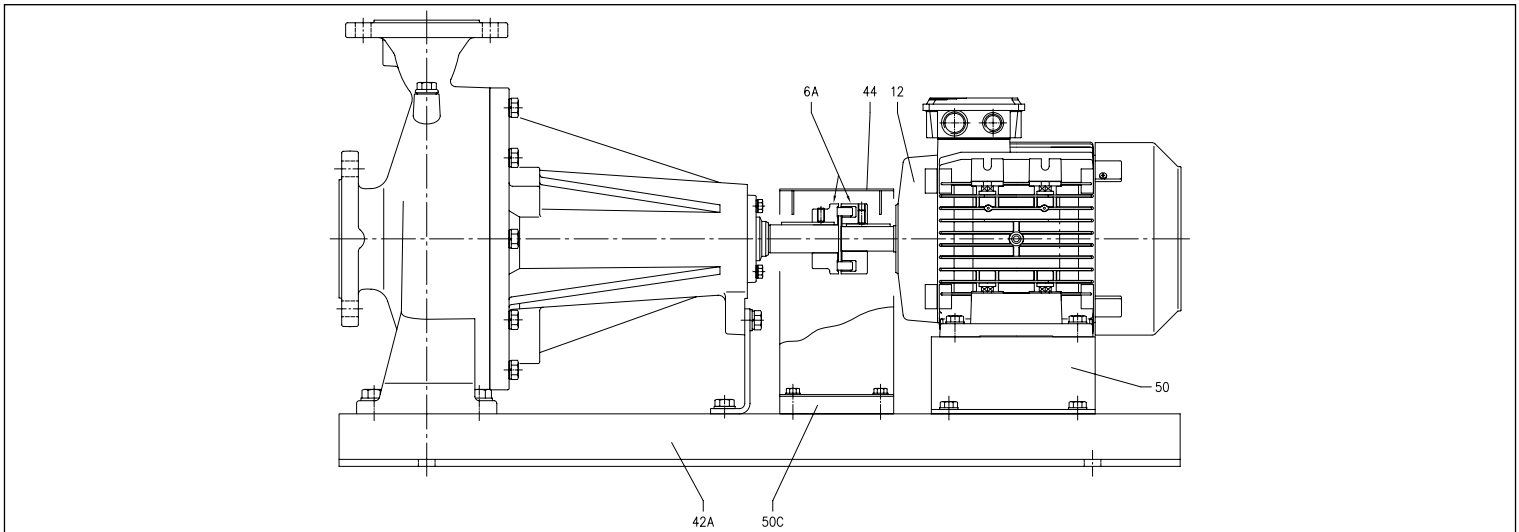
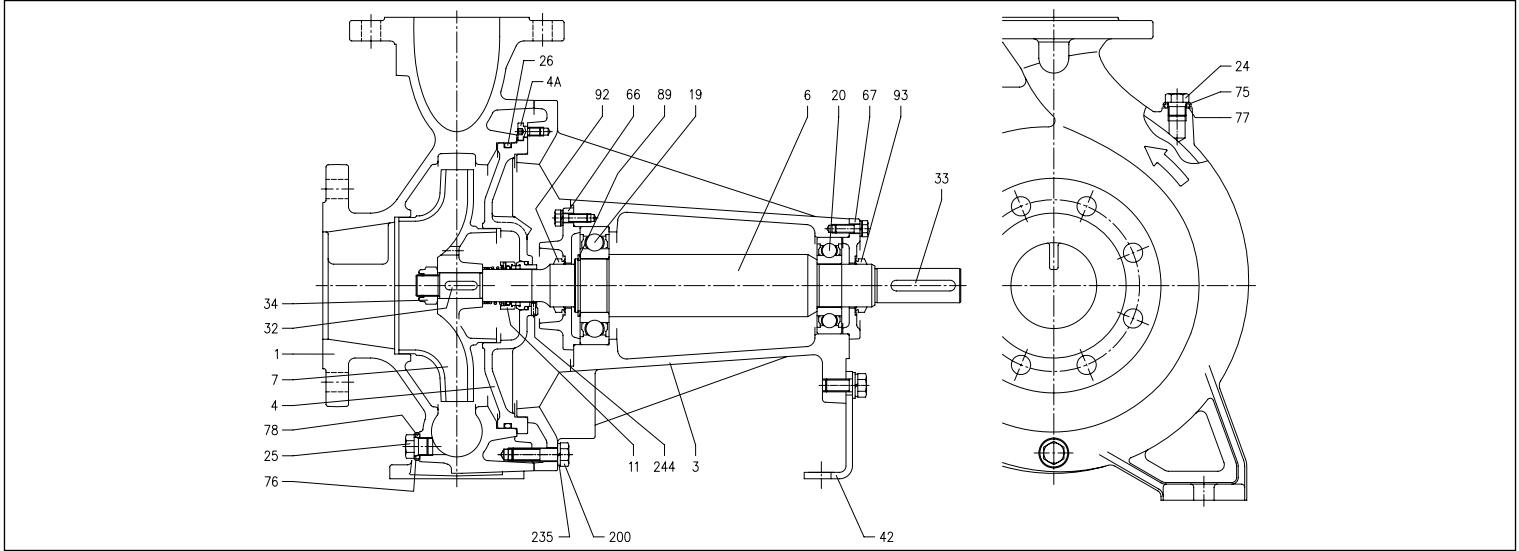
The contents of this publication must not be regarded as binding. EBARA Pumps Europe S.p.A. reserves the right to effect any modification it deems necessary, without prior notice.

# 3 - 3L SERIES

**CENTRIFUGAL ELECTRIC PUMPS STANDARDISED IN COMPLIANCE WITH EN 733 (EX DIN 24255)**

SECTIONAL VIEW 3LP4 SERIES 65-250, 80

4 Poles



## MATERIALS TABLE

Ref.	Name	Materials	Ref.	Name	Materials
001	Pump casing	EN 1.4401 (AISI 316)	034	Impeller nut	EN 1.4404 (AISI 316L)
003	Motor bracket	Cast iron EN-GJL-200-EN 1561	042	Motor support	Galvanised Steel
004	Casing cover	EN 1.4401 (AISI 316)	066	Bracket cover	Cast iron EN-GJL-200-EN 1561
004A	Casing cover screw disc	EN 1.4301(AISI 304)	067	Bracket cover	Cast iron EN-GJL-200-EN 1561
006	Shaft	EN 1.4462 (duplex steel) per 30-37 kW	075	Washer	EN 1.4404 (AISI 316L)
007	Impeller	EN 1.4401 (AISI316)	076	Washer	
011	Mechanical seal	SiC/SiC/FPM Ceramic/Carbon/FPM (H option) SiC/Carbon/EPDM (E option)	077	O-Ring	FPM (EPDM versione E)
019	Bearing (pump side)	-	078	O-Ring	Carbon steel TC 80
020	Bearing (motor side)	-	089	Seeger ring	
024	Plug	EN 1.4404 (AISI 316L)	092	Seal ring	-
025	Plug	EN 1.4404 (AISI 316L)	093	Seal ring	-
026	O-Ring	FPM (EPDM versione E)	200	Screw (pump body)	Stainless steel A2 70 class ISO 3506/1
032	Key	EN 1.4401 (AISI 316)	235	Washer	EN 1.4301 (AISI 304)
033	Key	C 40	244	Plug [1]	EN 1.4301 (AISI 304)

[1]= Not for H and E versions

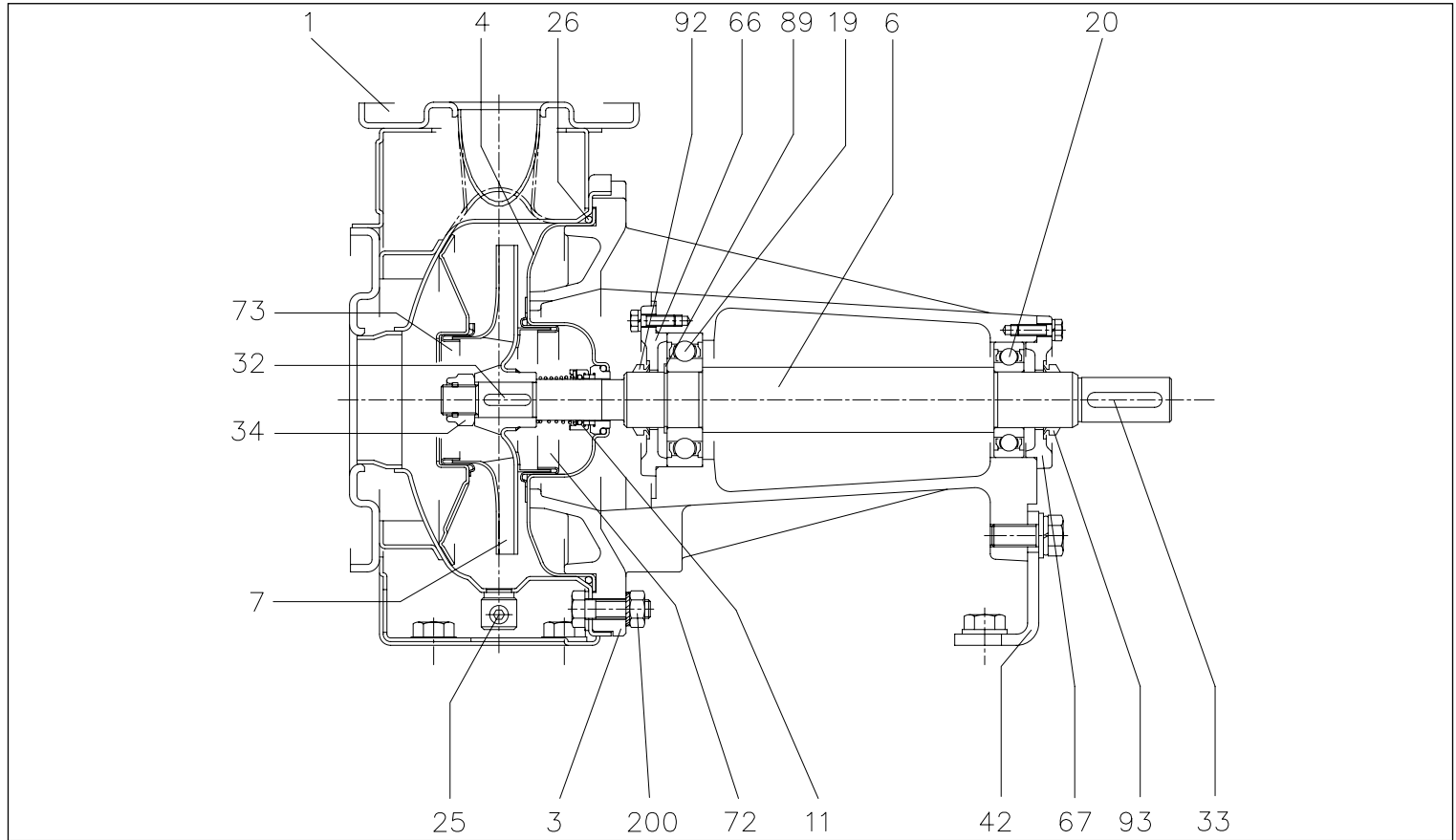


# 3 - 3L SERIES

## CENTRIFUGAL ELECTRIC PUMPS STANDARDISED IN COMPLIANCE WITH EN 733 (EX DIN 24255)

SECTIONAL VIEW 3(L)PF4 SERIES 32, 40, 50, 65

4 Poles



### MATERIALS TABLE

Ref.	Name	Materials	
		3P4	3LP4
001	Pump casing	EN 1.4301 (AISI 304)	EN 1.4404 (AISI 316L)
003	Motor bracket	Cast iron EN-GJL-200-EN 1561	
004	Casing cover	EN 1.4301 (AISI 304)	EN 1.4404 (AISI 316L)
006	Shaft - Part in contact with the liquid	EN 1.4301 (AISI 304)	EN 1.4404 (AISI 316L)
007	Impeller	32, 40, 50 65-125/160/200	EN 1.4401 (AISI 316)
011	Mechanical seal	Carbon/Ceramic/NBR Carbon/Ceramic/FPM (H option) SiC/SiC/FPM (HS option)	SiC/SiC/FPM
019	Bearing (pump side)	-	-
020	Bearing (motor side)	-	-
025	Plug	EN 1.4401 (AISI 316) / PTFE	
026	O-Ring	NBR	FPM
032	Key	EN 1.4401 (AISI 316)	
033	Key	C 40	
034	Impeller nut	EN 1.4301 (AISI 304)	EN 1.4404 (AISI 316L)
042	Motor support	Galvanised Steel	
066	Bracket cover	Cast iron EN-GJL-250-EN 1561	
067	Bracket cover	Cast iron EN-GJL-250-EN 1561	
072	Casing ring [1]	not for 65	EN 1.4404 (AISI 316L)
073	Casing ring	not for 65	EN 1.4404 (AISI 316L)
089	Seeger ring	Carbon steel TC 80	
092	Seal ring	-	-
093	Seal ring	-	-
200	Screw (pump body)	Stainless steel A2 70 class ISO 3506/1	

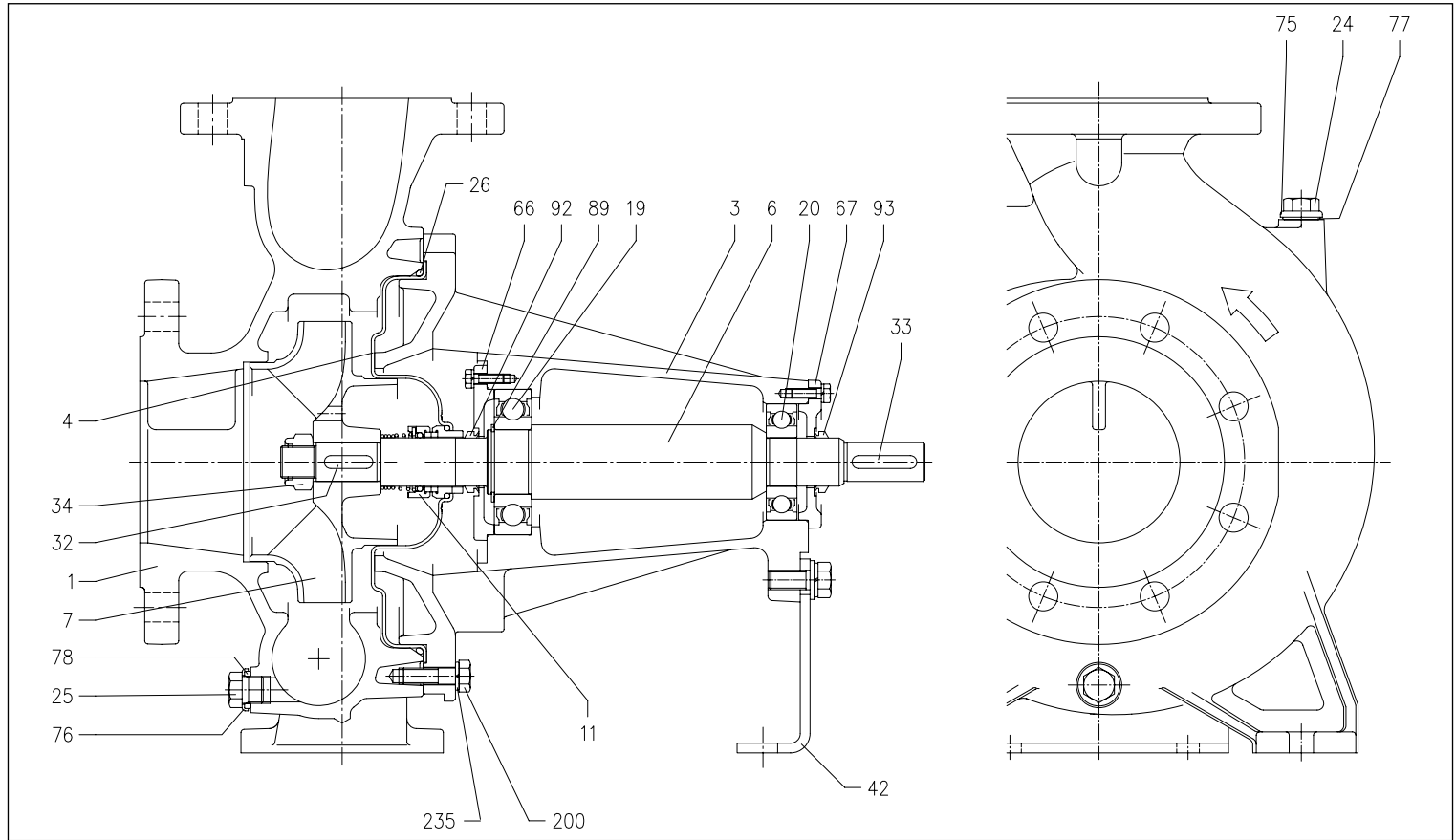
[1]= For 32-200/3, 32-200/4, 32-200/5.5, 40-200/5.5, 40-200/7.5, 40-200/11, 50-160/5.5, 50-160/7.5, 50-200/9.2, 50-200/11, 50-200/15 versions

# 3 - 3L SERIES

**CENTRIFUGAL ELECTRIC PUMPS STANDARDISED IN COMPLIANCE WITH EN 733  
(EX DIN 24255)**

**SECTIONAL VIEW 3LPF4 SERIES 80-160**

**4 Poles**



**MATERIALS TABLE**

Ref.	Name	Materials	Ref.	Name	Materials
001	Pump casing	EN 1.4401 (AISI 316)	034	Impeller nut	EN 1.4404 (AISI 316L)
003	Motor bracket	Cast iron EN-GJL-200-EN 1561	042	Pump support	Galvanised Steel
004	Casing cover	EN 1.4404 (AISI 316L)	066	Bracket cover	Cast iron EN-GJL-200-EN 1561
006	Shaft	EN 1.4404 (AISI316L) Part in contact with the liquid	067	Bracket cover	Cast iron EN-GJL-200-EN 1561
007	Impeller	EN 1.4401 (AISI 316)	075	Washer	EN 1.4404 (AISI 316L)
011	Mechanical seal	SiC/SiC/FPM Ceramic/Carbon/FPM (H option) SiC/Carbon/EPDM (E option)	076	Washer	
012	Motor	-	077	O-Ring	FPM (EPDM vers. E)
019	Bearing (pump side)	-	078	O-Ring	
020	Bearing (motor side)	-	089	Seeger ring	Carbon steel TC 80
024	Plug	EN 1.4404 (AISI 316L)	092	V ring	-
025	Plug	EN 1.4404 (AISI 316L)	093	V ring	-
026	O-Ring	FPM (EPDM vers. E)	200	Screw (pump body)	Stainless steel A2 70 class ISO 3506/1
032	Key	EN 1.4401 (AISI 316)	200A	Screw	Stainless steel A2 70 class ISO 3506/1
033	Key	C 40	235	Washer	EN 1.4301(AISI 304)

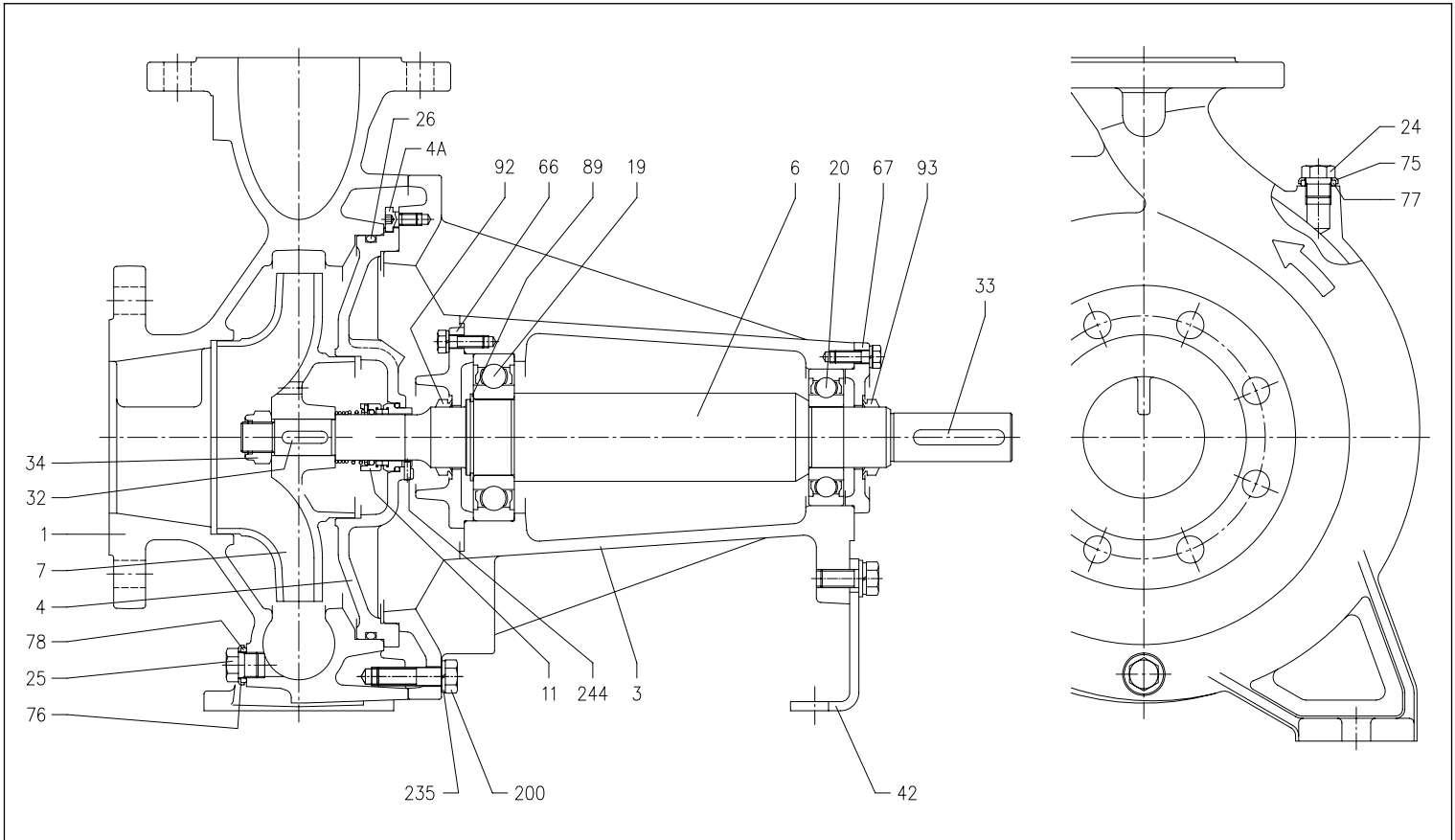
The contents of this publication must not be regarded as binding. EBARA Pumps Europe S.p.A. reserves the right to effect any modification it deems necessary, without prior notice.

# 3 - 3L SERIES

**CENTRIFUGAL ELECTRIC PUMPS STANDARDISED IN COMPLIANCE WITH EN 733  
(EX DIN 24255)**

**SECTIONAL VIEW 3LPF4 SERIES 65-250, 80**

**4 Poles**



**MATERIALS TABLE**

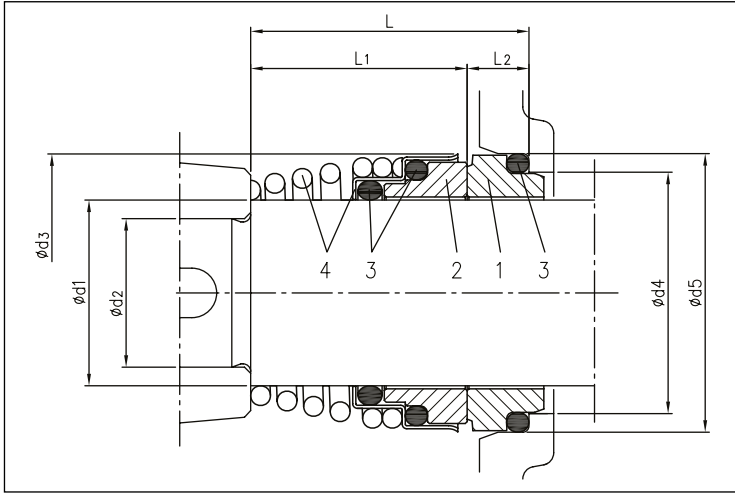
Ref.	Name	Materials	Ref.	Name	Materials
001	Pump casing	EN 1.4401 (AISI 316)	034	Impeller nut	EN 1.4404 (AISI 316L)
003	Motor bracket	Cast iron EN-GJL-200-EN 1561	042	Motor support	Galvanised Steel
004	Casing cover	EN 1.4401 (AISI 316)	066	Bracket cover	Cast iron EN-GJL-200-EN 1561
004A	Casing cover screw disc	EN 1.4301(AISI 304)	067	Bracket cover	Cast iron EN-GJL-200-EN 1561
006	Shaft	EN 1.4462 (duplex steel) per 30-37 kW	075	Washer	EN 1.4404 (AISI 316L)
007	Impeller	EN 1.4401 (AISI316)	076	Washer	
011	Mechanical seal	SiC/SiC/FPM Ceramic/Carbon/FPM (H option) SiC/Carbon/EPDM (E option)	077	O-Ring	FPM (EPDM versione E)
019	Bearing (pump side)	-	078	O-Ring	Carbon steel TC 80
020	Bearing (motor side)	-	089	Seeger ring	
024	Plug	EN 1.4404 (AISI 316L)	092	Seal ring	-
025	Plug	EN 1.4404 (AISI 316L)	093	Seal ring	-
026	O-Ring	FPM (EPDM versione E)	200	Screw (pump body)	Stainless steel A2 70 class ISO 3506/1
032	Key	EN 1.4401 (AISI 316)	235	Washer	EN 1.4301 (AISI 304)
033	Key	C 40	244	Plug [1]	EN 1.4301 (AISI 304)

[1]= Not for H and E versions

# 3 - 3L SERIES

## CENTRIFUGAL ELECTRIC PUMPS STANDARDISED IN COMPLIANCE WITH EN 733 (EX DIN 24255)

### MECHANICAL SEAL standard version



### MATERIALS TABLE

Ref.	Name	Materials	
		3 SERIES	3L SERIES
1	Fixed part	Carbon	SiC
2	Rotating part	Ceramic	SiC
3	Gasket	NBR	FPM
4	Frame + spring	EN 1.4401 (AISI 316)	EN 1.4571 (AISI 316Ti)

### SPECIAL MECHANICAL SEALS 3 SERIES (on request)

Name	Materials				
	H version	HS version	HW version	HSW version	E version
Fixed part	Carbon	SiC	Tungsten Carbide	Tungsten Carbide	Carbon
Rotating part	Ceramic	SiC	Tungsten Carbide	SiC	Ceramic
Elastomers	FPM	FPM	FPM	FPM	EPDM
Frame + spring	AISI 316	AISI 316Ti	AISI 316	AISI 316	AISI 316Ti

### SPECIAL MECHANICAL SEALS 3 SERIESL (on request)

Name	Materials			
	H version	HW version	HSW version	E version
Fixed part	Carbon	Tungsten Carbide	Tungsten Carbide	Carbon
Rotating part	Ceramic	Tungsten Carbide	SiC	Ceramic
Elastomers	FPM	FPM	FPM	EPDM
Frame + spring	AISI 316	AISI 316	AISI 316	AISI 316Ti

# 3 - 3L SERIES

## CENTRIFUGAL ELECTRIC PUMPS STANDARDISED IN COMPLIANCE WITH EN 733 (EX DIN 24255)

ELECTRIC DATA TABLE 3(L)M4 SERIES

4 Poles

Model Three phase 230/400/690V	Motor Size	P <sub>1</sub>		Efficiency Three phase	Efficiency(%) Three phase			P <sub>1</sub> Three phase [kW]	Absorbed Current [A]		
		[HP]	[kW]		50%	η % 75%	100%		230V	400V	690V
3(L)M4 32-125/0.25	71	0.33	0.25	-	-	-	-	0,55	1,9	1,1	-
3(L)M4 32-160/0.37R	80	0.5	0.37	-	-	-	-	0,80	2,6	1,5	-
3(L)M4 32-160/0.37		0.5	0.37	-	-	-	-	0,80	2,6	1,5	-
3(L)M4 32-200/0.55R	80	0.75	0.55	-	-	-	-	0,80	2,6	1,5	-
3(L)M4 32-200/0.55		0.75	0.55	-	-	-	-	0,80	2,6	1,5	-
3(L)M4 32-200/0.75	90	1	0.75	IE2	78,4	81,6	81,9	1,41	4,6	2,7	-
3(L)M4 40-125/0.37R	71	0.5	0.37	-	-	-	-	0,55	1,9	1,1	-
3(L)M4 40-125/0.37		0.5	0.37	-	-	-	-	0,55	1,9	1,1	-
3(L)M4 40-160/0.55R	80	0.75	0.55	-	-	-	-	0,80	2,6	1,5	-
3(L)M4 40-160/0.55		0.75	0.55	-	-	-	-	0,80	2,6	1,5	-
3(L)M4 40-200/1.1R	90	1.5	1.1	IE2	78,4	81,6	81,9	1,41	4,6	2,7	-
3(L)M4 40-200/1.1		1.5	1.1	IE2	78,4	81,6	81,9	1,41	4,6	2,7	-
3(L)M4 40-200/1.5		2	1.5	IE2	80,3	83,4	83,8	1,88	6,2	3,6	-
3(L)M4 50-125/0.55R	80	0.75	0.55	-	-	-	-	0,80	2,6	1,5	-
3(L)M4 50-125/0.55		0.75	0.55	-	-	-	-	0,80	2,6	1,5	-
3(L)M4 50-160/1.1R	90	1.5	1.1	IE2	78,4	81,6	81,9	1,41	4,6	2,7	-
3(L)M4 50-160/1.1		1.5	1.1	IE2	78,4	81,6	81,9	1,41	4,6	2,7	-
3(L)M4 50-200/1.5R		2	1.5	IE2	80,3	83,4	83,8	1,88	6,2	3,6	-
3(L)M4 50-200/1.5		2	1.5	IE2	80,3	83,4	83,8	1,88	6,2	3,6	-
3(L)M4 50-200/2.2	100	3	2.2	IE2	84,6	86,0	85,6	2,70	8,1	4,7	-
3(L)M4 65-125/0.55	80	0.75	0.55	-	-	-	-	0,80	2,6	1,5	-
3(L)M4 65-125/0.75	90	1	0.75	IE2	78,4	81,6	81,9	1,41	4,6	2,7	-
3(L)M4 65-125/1.1		1.5	1.1	IE2	78,4	81,6	81,9	1,41	4,6	2,7	-
3(L)M4 65-160/1.1		1.5	1.1	IE2	78,4	81,6	81,9	1,41	4,6	2,7	-
3(L)M4 65-160/1.5		2	1.5	IE2	80,3	83,4	83,8	1,88	6,2	3,6	-
3(L)M4 65-160/2.2	100	3	2.2	IE2	84,6	86,0	85,6	2,70	8,1	4,7	-
3(L)M4 65-200/2.2R		3	2.2	IE2	84,6	86,0	85,6	2,70	8,1	4,7	-
3(L)M4 65-200/2.2		3	2.2	IE2	84,6	86,0	85,6	2,70	8,1	4,7	-
3(L)M4 65-200/3		4	3	IE2	81,6	86,1	89,0	3,54	11,8	6,8	-
3LM4 65-250/4	112	5.5	4	IE2	87,6	89,0	88,5	4,75	14,9	8,6	-
3LM4 65-250/5.5	132	7.5	5.5	IE2	74,7	81,9	88,6	6,52	-	11,3	6,6
3LM4 80-160/1.5	90	2	1.5	IE2	80,3	83,4	83,8	1,88	6,2	3,6	-
3LM4 80-160/2.2R	100	3	2.2	IE2	84,6	86,0	85,6	2,70	8,1	4,7	-
3LM4 80-160/2.2		3	2.2	IE2	84,6	86,0	85,6	2,70	8,1	4,7	-
3LM4 80-200/3		4	3	IE2	81,6	86,1	89,0	3,54	11,8	6,8	-
3LM4 80-200/4R	112	5.5	4	IE2	87,6	89,0	88,5	4,75	14,9	8,6	-
3LM4 80-200/4	112	5.5	4	IE2	87,6	89,0	88,5	4,75	14,9	8,6	-
3LM4 80-250/5.5R	132	7.5	5.5	IE2	74,7	81,9	88,6	6,52	-	11,3	6,6
3LM4 80-250/5.5		7.5	5.5	IE2	74,7	81,9	88,6	6,52	-	11,3	6,6
3LM4 80-250/7.5	132M	10	7.5	IE3	89,8	90,9	90,4	8,27	-	15,3	8,8

The contents of this publication must not be regarded as binding. EBARA Pumps Europe S.p.A. reserves the right to effect any modification it deems necessary, without prior notice.

# 3 - 3L SERIES

## CENTRIFUGAL ELECTRIC PUMPS STANDARDISED IN COMPLIANCE WITH EN 733 (EX DIN 24255)

ELECTRIC DATA TABLE 3(L)S4 - 3(L)P4 SERIES

4 Poles

Model		Motor Size	P <sub>1</sub>		Efficiency Three phase	P <sub>2</sub> [kW]	Efficiency (%) Three phase			Absorbed Current [A] Three phase					
Three phase 230/400/690V	Three phase 230/400/690V		[HP]	[kW]			50%	η % 75%	100%	230V	400V	690V			
3(L)S4 32-125/0.25	3(L)P4 32-125/0.25	71	0.25	0.33	-	0.41	55.0	59.0	64.0	1.6	0.9	-			
3(L)S4 32-160/0.37R	3(L)P4 32-160/0.37R		0.37	0.5	-	0.56	60.0	63.0	67.0	2.1	1.2	-			
3(L)S4 32-160/0.37	3(L)P4 32-160/0.37		0.37	0.5	-	0.56	60.0	63.0	67.0	2.1	1.2	-			
3(L)S4 32-200/0.55R	3(L)P4 32-200/0.55R	80	0.55	0.75	-	0.80	67.0	69.0	70.0	2.8	1.6	-			
3(L)S4 32-200/0.55	3(L)P4 32-200/0.55		0.55	0.75	-	0.80	67.0	69.0	70.0	2.8	1.6	-			
3(L)S4 32-200/0.75	3(L)P4 32-200/0.75		0.75	1	IE2	0.95	79.2	80.3	80.2	3.1	1.8	-			
					IE3	0.92	80.7	81.5	82.5	3.1	1.8	-			
3(L)S4 40-125/0.37R	3(L)P4 40-125/0.37R	71	0.37	0.5	-	0.56	60.0	63.0	67.0	2.1	1.2	-			
3(L)S4 40-125/0.37	3(L)P4 40-125/0.37				-	0.56	60.0	63.0	67.0	2.1	1.2	-			
3(L)S4 40-160/0.55R	3(L)P4 40-160/0.55R	80	0.55	0.75	-	0.80	67.0	69.0	70.0	2.8	1.6	-			
3(L)S4 40-160/0.55	3(L)P4 40-160/0.55		0.55	0.75	-	0.80	67.0	69.0	70.0	2.8	1.6	-			
						IE2	1.33	81.4	82.7	82.5	4.3	2.5	-		
					IE3	1.30	83.3	84.3	84.1	4.3	2.5	-			
3(L)S4 40-200/1.1R	3(L)P4 40-200/1.1R	90S	1.1	1.5	IE2	1.33	81.4	82.7	82.5	4.3	2.5	-			
						IE3	1.30	83.3	84.3	84.1	4.3	2.5	-		
3(L)S4 40-200/1.1	3(L)P4 40-200/1.1		1.1	1.5	IE2	1.33	81.4	82.7	82.5	4.3	2.5	-			
					IE3	1.30	83.3	84.3	84.1	4.3	2.5	-			
3(L)S4 40-200/1.5	3(L)P4 40-200/1.5	90L	1.5	2	IE2	1.81	82.0	83.5	83.0	5.9	3.4	-			
					IE3	1.80	84.1	85.2	85.3	6.2	3.6	-			
3(L)S4 50-125/0.55R	3(L)P4 50-125/0.55R	80	0.55	0.75	-	0.80	67.0	69.0	70.0	2.8	1.6	-			
3(L)S4 50-125/0.55	3(L)P4 50-125/0.55		0.55	0.75	-	0.80	67.0	69.0	70.0	2.8	1.6	-			
3(L)S4 50-160/1.1R	3(L)P4 50-160/1.1R	90S	1.1	1.5	IE2	1.33	81.4	82.7	82.5	4.3	2.5	-			
								IE3	1.30	83.3	84.3	84.1	4.3	2.5	-
3(L)S4 50-160/1.1	3(L)P4 50-160/1.1				1.1	1.5	IE2	1.33	81.4	82.7	82.5	4.3	2.5	-	
					IE3	1.30	83.3	84.3	84.1	4.3	2.5	-			
3(L)S4 50-200/1.5R	3(L)P4 50-200/1.5R	90L	1.5	2	IE2	1.81	82.0	83.5	83.0	5.9	3.4	-			
								IE3	1.80	84.1	85.2	85.3	6.2	3.6	-
3(L)S4 50-200/1.5	3(L)P4 50-200/1.5				1.5	2	IE2	1.81	82.0	83.5	83.0	5.9	3.4	-	
					IE3	1.80	84.1	85.2	85.3	6.2	3.6	-			
3(L)S4 50-200/2.2	3(L)P4 50-200/2.2	100L	2.2	3	IE2	2.61	84.0	85.3	85.1	8.8	5.1	-			
								IE3	2.58	83.2	86.2	86.7	10.2	5.9	-
3(L)S4 65-125/0.55	3(L)P4 65-125/0.55				80	0.55	0.75	-	0.80	67.0	69.0	70.0	2.8	1.6	-
3(L)S4 65-125/0.75	3(L)P4 65-125/0.75	0.75	1	IE2		0.95	79.2	80.3	80.2	3.1	1.8	-			
						IE3	0.92	80.7	81.5	82.5	3.1	1.8	-		
3(L)S4 65-125/1.1	3(L)P4 65-125/1.1	90S	1.1	1.5	IE2	1.33	81.4	82.7	82.5	4.3	2.5	-			
								IE3	1.30	83.3	84.3	84.1	4.3	2.5	-
3(L)S4 65-160/1.1	3(L)P4 65-160/1.1				1.1	1.5	IE2	1.33	81.4	82.7	82.5	4.3	2.5	-	
					IE3	1.30	83.3	84.3	84.1	4.3	2.5	-			
3(L)S4 65-160/1.5	3(L)P4 65-160/1.5	90L	1.5	2	IE2	1.81	82.0	83.5	83.0	5.9	3.4	-			
								IE3	1.80	84.1	85.2	85.3	6.2	3.6	-
3(L)S4 65-160/2.2	3(L)P4 65-160/2.2	100L	2.2	3	IE2	2.61	84.0	85.3	85.1	8.8	5.1	-			
								IE3	2.58	83.2	86.2	86.7	10.2	5.9	-
3(L)S4 65-200/2.2R	3(L)P4 65-200/2.2R				2.2	3	IE2	2.61	84.0	85.3	85.1	8.8	5.1	-	
					IE3	2.58	83.2	86.2	86.7	10.2	5.9	-			
3(L)S4 65-200/2.2	3(L)P4 65-200/2.2	100L	2.2	3	IE2	2.61	84.0	85.3	85.1	8.8	5.1	-			
								IE3	2.58	83.2	86.2	86.7	10.2	5.9	-
3(L)S4 65-200/3	3(L)P4 65-200/3				3	4	IE2	3.47	85.3	86.6	86.4	11.3	6.5	-	
					IE3	3.44	85.1	87.1	87.7	11.8	6.8	-			
3LS4 65-250/4	3LP4 65-250/4	112M	4	5.5	IE2	4.59	86.0	87.3	87.1	14.7	8.5	-			
								IE3	4.54	87.2	88.3	88.6	14.2	8.2	-
3LS4 65-250/5.5	3LP4 65-250/5.5				5.5	7.5	IE2	6.29	87.5	88.3	88.1	-	10.8	6.2	
					IE3	6.17	89.8	90.2	89.6	-	10.6	6.1			
3LS4 80-160/1.5	3LP4 80-160/1.5	90L	1.5	2	IE2	1.81	82.0	83.5	83.0	5.9	3.4	-			
								IE3	1.80	84.1	85.2	85.3	6.2	3.6	-
3LS4 80-160/2.2R	3LP4 80-160/2.2R	100L	2.2	3	IE2	2.61	84.0	85.3	85.1	8.8	5.1	-			
								IE3	2.58	83.2	86.2	86.7	10.2	5.9	-
3LS4 80-160/2.2	3LP4 80-160/2.2				2.2	3	IE2	2.61	84.0	85.3	85.1	8.8	5.1	-	
					IE3	2.58	83.2	86.2	86.7	10.2	5.9	-			
3LS4 80-200/3	3LP4 80-200/3	112M	3	4	IE2	3.47	85.3	86.6	86.4	11.3	6.5	-			
								IE3	3.44	85.1	87.1	87.7	11.8	6.8	-
3LS4 80-200/4R	3LP4 80-200/4R				4	5.5	IE2	4.59	86.0	87.3	87.1	14.7	8.5	-	
					IE3	4.54	87.2	88.3	88.6	14.2	8.2	-			
3LS4 80-200/4	3LP4 80-200/4	112M	4	5.5	IE2	4.59	86.0	87.3	87.1	14.7	8.5	-			
								IE3	4.54	87.2	88.3	88.6	14.2	8.2	-
3LS4 80-250/5.5R	3LP4 80-250/5.5R				5.5	7.5	IE2	6.29	87.5	88.3	88.1	-	10.8	6.2	
		132S	5.5	7.5		6.17	89.8	90.2	89.6	-	10.6	6.1			
3LS4 80-250/5.5	3LP4 80-250/5.5				IE2	6.29	87.5	88.3	88.1	-	10.8	6.2	-		
					IE3	6.17	89.8	90.2	89.6	-	10.6	6.1	-		
3LS4 80-250/7.5	3LP4 80-250/7.5	132M	7.5	10	IE3	8.27	89.8	90.9	90.4	-	15.3	8.8			

The contents of this publication must not be regarded as binding. EBARA Pumps Europe S.p.A. reserves the right to effect any modification it deems necessary, without prior notice.

# 3 - 3L SERIES

## CENTRIFUGAL ELECTRIC PUMPS STANDARDISED IN COMPLIANCE WITH EN 733 (EX DIN 24255)

### NOISE DATA TABLES

Model Single phase 230V	P <sub>2</sub>		L <sub>pa</sub> - dB(A)*
	[HP]	[kW]	
3(L)M4 32-125/0.25	0,33	0,25	<70
3(L)M4 32-160/0.37R	0,5	0,37	
3(L)M4 32-160/0.37	0,5	0,37	
3(L)M4 32-200/0.55R	0,75	0,55	
3(L)M4 32-200/0.55	0,75	0,55	
3(L)M4 32-200/0.75	1	0,75	<70
3(L)M4 40-125/0.37R	0,5	0,37	
3(L)M4 40-125/0.37	0,5	0,37	
3(L)M4 40-160/0.55R	0,75	0,55	
3(L)M4 40-160/0.55	0,75	0,55	
3(L)M4 40-200/1.1R	1,5	1,1	
3(L)M4 40-200/1.1	1,5	1,1	
3(L)M4 40-200/1.5	2	1,5	<70
3(L)M4 50-125/0.55R	0,75	0,55	
3(L)M4 50-125/0.55	0,75	0,55	
3(L)M4 50-160/1.1R	1,5	1,1	
3(L)M4 50-160/1.1	1,5	1,1	
3(L)M4 50-200/1.5R	2	1,5	
3(L)M4 50-200/1.5	2	1,5	
3(L)M4 50-200/2.2	3	2,2	
3(L)M4 65-125/0.55	0,75	0,55	<70
3(L)M4 65-125/0.75	1	0,75	
3(L)M4 65-125/1.1	1,5	1,1	
3(L)M4 65-160/1.1	1,5	1,1	
3(L)M4 65-160/1.5	2	1,5	
3(L)M4 65-160/2.2	3	2,2	
3(L)M4 65-200/2.2R	3	2,2	
3(L)M4 65-200/2.2	3	2,2	
3(L)M4 65-200/3	4	3	
3LM4 65-250/4	5,5	4	
3LM4 65-250/5.5	7,5	5,5	71
3LM4 80-160/1.5	2	1,5	<70
3LM4 80-160/2.2R	3	2,2	
3LM4 80-160/2.2	3	2,2	
3LM4 80-200/3	4	3	
3LM4 80-200/4R	5,5	4	
3LM4 80-200/4	5,5	4	
3LM4 80-250/5.5R	7,5	5,5	71
3LM4 80-250/5.5	7,5	5,5	
3LM4 80-250/7.5	10	7,5	

\* Mean value of several measures at 1m distance around the pump.

Tolerance ± 2.5 dB.

\*\* Sound pressure level of motor pumps with AEG

### 4 Poles

Single phase 230V	Model		P <sub>2</sub>		L <sub>pa</sub> - dB(A)*
	Single phase 230V	Three phase 230/400/690V	[HP]	[kW]	
3(L)S4 32-125/0.25	3(L)P4 32-125/0.25	0,33	0,25	<70	
3(L)S4 32-160/0.37R	3(L)P4 32-160/0.37R	0,5	0,37		
3(L)S4 32-160/0.37	3(L)P4 32-160/0.37	0,5	0,37		
3(L)S4 32-200/0.55R	3(L)P4 32-200/0.55R	0,75	0,55		
3(L)S4 32-200/0.55	3(L)P4 32-200/0.55	0,75	0,55		
3(L)S4 32-200/0.75	3(L)P4 32-200/0.75	1	0,75	<70	
3(L)S4 40-125/0.37R	3(L)P4 40-125/0.37R	0,5	0,37		
3(L)S4 40-125/0.37	3(L)P4 40-125/0.37	0,5	0,37		
3(L)S4 40-160/0.55R	3(L)P4 40-160/0.55R	0,75	0,55		
3(L)S4 40-160/0.55	3(L)P4 40-160/0.55	0,75	0,55		
3(L)S4 40-200/1.1R	3(L)P4 40-200/1.1R	1,5	1,1		
3(L)S4 40-200/1.1	3(L)P4 40-200/1.1	1,5	1,1		
3(L)S4 40-200/1.5	3(L)P4 40-200/1.5	2	1,5	<70	
3(L)S4 50-125/0.55R	3(L)P4 50-125/0.55R	0,75	0,55		
3(L)S4 50-125/0.55	3(L)P4 50-125/0.55	0,75	0,55		
3(L)S4 50-160/1.1R	3(L)P4 50-160/1.1R	1,5	1,1		
3(L)S4 50-160/1.1	3(L)P4 50-160/1.1	1,5	1,1		
3(L)S4 50-200/1.5R	3(L)P4 50-200/1.5R	2	1,5		
3(L)S4 50-200/1.5	3(L)P4 50-200/1.5	2	1,5		
3(L)S4 50-200/2.2	3(L)P4 50-200/2.2	3	2,2		
3(L)S4 65-125/0.55	3(L)P4 65-125/0.55	0,75	0,55	<70	
3(L)S4 65-125/0.75	3(L)P4 65-125/0.75	1	0,75		
3(L)S4 65-125/1.1	3(L)P4 65-125/1.1	1,5	1,1		
3(L)S4 65-160/1.1	3(L)P4 65-160/1.1	1,5	1,1		
3(L)S4 65-160/1.5	3(L)P4 65-160/1.5	2	1,5		
3(L)S4 65-160/2.2	3(L)P4 65-160/2.2	3	2,2		
3(L)S4 65-200/2.2R	3(L)P4 65-200/2.2R	3	2,2		
3(L)S4 65-200/2.2	3(L)P4 65-200/2.2	3	2,2		
3(L)S4 65-200/3	3(L)P4 65-200/3	4	3		
3LS4 65-250/4	3LP4 65-250/4	5,5	4		
3LS4 65-250/5.5	3LP4 65-250/5.5	7,5	5,5	<70	
3LS4 80-160/1.5	3LP4 80-160/1.5	2	1,5		
3LS4 80-160/2.2R	3LP4 80-160/2.2R	3	2,2		
3LS4 80-160/2.2	3LP4 80-160/2.2	3	2,2		
3LS4 80-200/3	3LP4 80-200/3	4	3		
3LS4 80-200/4R	3LP4 80-200/4R	5,5	4		
3LS4 80-200/4	3LP4 80-200/4	5,5	4		
3LS4 80-250/5.5R	3LP4 80-250/5.5R	7,5	5,5		
3LS4 80-250/5.5	3LP4 80-250/5.5	7,5	5,5		
3LS4 80-250/7.5	3LP4 80-250/7.5	10	7,5		

\* Mean value of several measures at 1m distance around the pump.

Tolerance ± 2.5 dB.

The contents of this publication must not be regarded as binding. EBARA Pumps Europe S.p.A. reserves the right to effect any modification it deems necessary, without prior notice.

