



EBARA



| | Page |
|-----------------------------------|------------|
| - SPECIFICATIONS | 200 |
| SELECTION CHART | 201 |
| TYPE KEY AND CURVE SPECIFICATIONS | 202 |
| PERFORMANCE CURVE 2CDX 70 | 203 |
| PERFORMANCE CURVE 2CDX 120 | 204 |
| PERFORMANCE CURVE 2CDX 200 | 205 |
| | |
| - CONSTRUCTIONS | 300 |
| SECTIONAL VIEW | 300 |
| THERMAL INSULATION | 301 |
| MECHANICAL SEAL | 302 |
| | |
| - DIMENSIONS AND WEIGHT | 400 |
| PUMP | 400 |
| PACKING | 401 |
| | |
| - TECHNICAL DATA | 500 |
| MOTOR DATA | 500 |
| NOISE DATA | 500 |

SPECIFICATION

50Hz

Rev. L

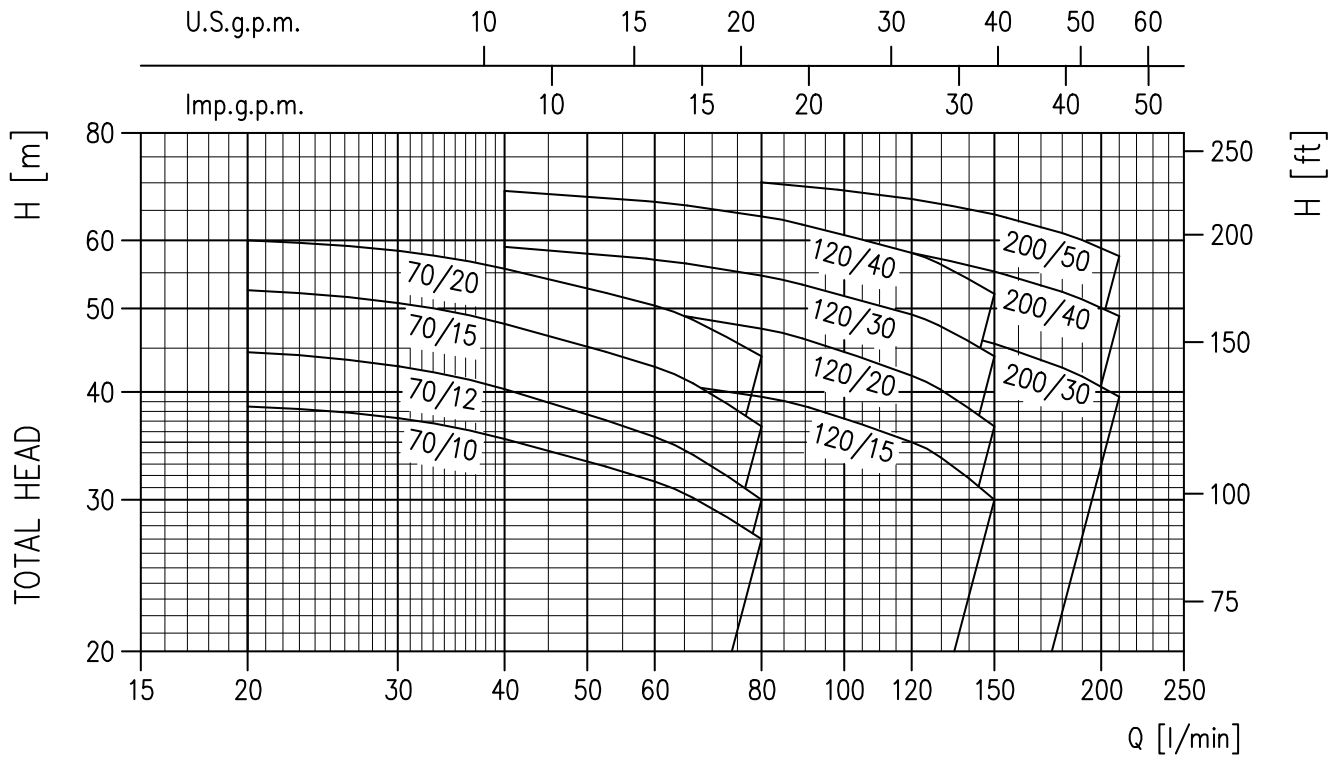
| PUMP | | |
|-----------------------------|------------------|--|
| Liquid Handled | Type of liquid | Clean water |
| | Temperature [°C] | min. -5 max. +60 max. +60 (L version-E) max. +110 (H-HS-HW-HSW) |
| Maximum working pressure | [MPa] | 0.8 |
| Construction | Impeller | Closed centrifugal type (Twin) |
| | Shaft seal type | Mechanical seal |
| | Bearing | Sealed ball bearing |
| Pipe Connection | Suction [inch] | from G 1 ¹ / ₄ to G 1 ¹ / ₂ (2CDX 200) UNI ISO 228-1 |
| | Discharge [inch] | G 1" UNI ISO 228-1 |
| Material | Casing | EN 1.4301 (AISI 304) - (AISI 316 only for "L" version) |
| | Impeller | EN 1.4301 (AISI 304) - (AISI 316 only for "L" version) |
| | Casing cover | EN 1.4301 (AISI 304) - (AISI 316 only for "L" version) |
| | Shaft seal | Ceramic/Carbon/NBR (for version see page 301) |
| | Shaft | AISI 304 / AISI 316 (Wet extension) |
| | Bracket | Aluminium (up to 1.5 kW included) Cast iron (2.2 kW and above) |
| | Diffuser | AISI 304 / AISI 316 |
| Applicable standard of test | | ISO 9906 – Annex A |

| MOTOR | | |
|-------------------------------------|--|--|
| Type | Electric - TEFC | |
| | Single Phase | Three Phase |
| Efficiency level (Reg. 640/2009) | - | IE2 from 0.75 kW up to 4.0 kW IE3 from 0.75 kW up to 4.0 kW |
| No. of Poles | 2 | |
| Rotation speed [min ⁻¹] | ≈ 2800 | |
| Insulation Class | F | |
| Protection degree (CEI EN 60034-5) | IP 55 | |
| Power rating | [kW] | 0.75 ÷ 2.2 |
| | [HP] | 1 ÷ 2 |
| Frequency [Hz] | 50 | |
| Voltage [V] | 230 ±10% | 230/400 ±10% |
| Capacitor | Built in | - |
| Over load protection | Built in | Provided by the user |
| Casing material | Aluminium | |
| Motor support | Aluminium | |
| Dimensions of cable entry | PG 11 – PG 13.5 – PG 16 - M16x1.5 - M20x1.5 (see dimensions page 400) | |

SELECTION CHART

50Hz

Rev. L



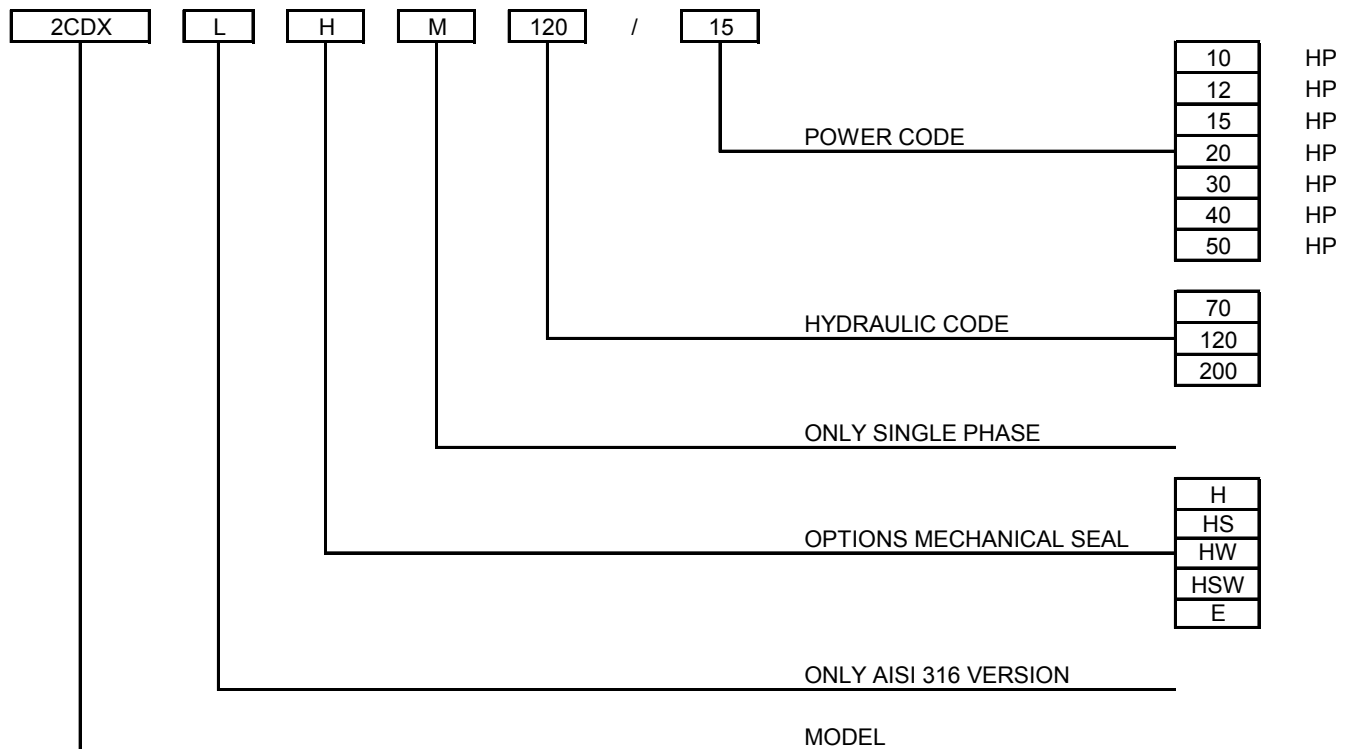
| Pump Type | | Power | | Q=Capacity | | | | | | | | |
|-----------------------------------|-------------|-------|------|------------|------|------|------|------|------|------|------|------|
| Single Phase | Three Phase | [kW] | [HP] | l/min | 20 | 40 | 60 | 80 | 120 | 150 | 180 | 210 |
| | | | | m³/h | 1.2 | 2.4 | 3.6 | 4.8 | 7.2 | 9.0 | 10.8 | 12.6 |
| H=Total manometric head in meters | | | | | | | | | | | | |
| 2CDXM 70/10 | 2CDX 70/10 | 0.75 | 1 | 41 | 38.5 | 35.3 | 31.5 | 27 | - | - | - | - |
| 2CDXM 70/12 | 2CDX 70/12 | 0.9 | 1.2 | 48 | 44.5 | 40.3 | 35.5 | 30 | - | - | - | - |
| 2CDXM 70/15 | 2CDX 70/15 | 1.1 | 1.5 | 56 | 52.5 | 48 | 42.8 | 36.5 | - | - | - | - |
| 2CDXM 70/20 | 2CDX 70/20 | 1.5 | 2 | 64 | 60 | 55.6 | 50.4 | 44 | - | - | - | - |
| 2CDXM 120/15 | 2CDX 120/15 | 1.1 | 1.5 | 46 | - | 42 | 41 | 39.5 | 35 | 30 | - | - |
| 2CDXM 120/20 | 2CDX 120/20 | 1.5 | 2 | 55 | - | 51.5 | 49.5 | 47.4 | 41.8 | 36.5 | - | - |
| - | 2CDX 120/30 | 2.2 | 3 | 63 | - | 59 | 57 | 54.6 | 49.2 | 44 | - | - |
| - | 2CDX 120/40 | 3 | 4 | 71.5 | - | 68.5 | 66.5 | 64 | 58 | 52 | - | - |
| - | 2CDX 200/30 | 2.2 | 3 | 55 | - | - | 52 | 50.8 | 48.1 | 45.5 | 42.7 | 39.5 |
| - | 2CDX 200/40 | 3 | 4 | 66 | - | - | 62.5 | 61.1 | 58 | 55.2 | 52.3 | 49 |
| - | 2CDX 200/50 | 3.7 | 5 | 75 | - | - | 71.5 | 70.1 | 67 | 64.3 | 61.2 | 57.5 |

TYPE KEY AND CURVE SPECIFICATIONS

50Hz

Rev. L

TYPE KEY



PERFORMANCE CURVE SPECIFICATIONS

The specifications below qualify the curves shown on the following pages.

Tolerances according to ISO 9906 Annex A

The curves refer to effective speed of asynchronous motors at 50 Hz

Measurements were carried out with clean water at 20°C of temperature and with a kinematic viscosity of $\nu = 1 \text{ mm}^2/\text{s}$ (1 cSt)

The NPSH curve is an average curve obtained in the same conditions of performance curves.

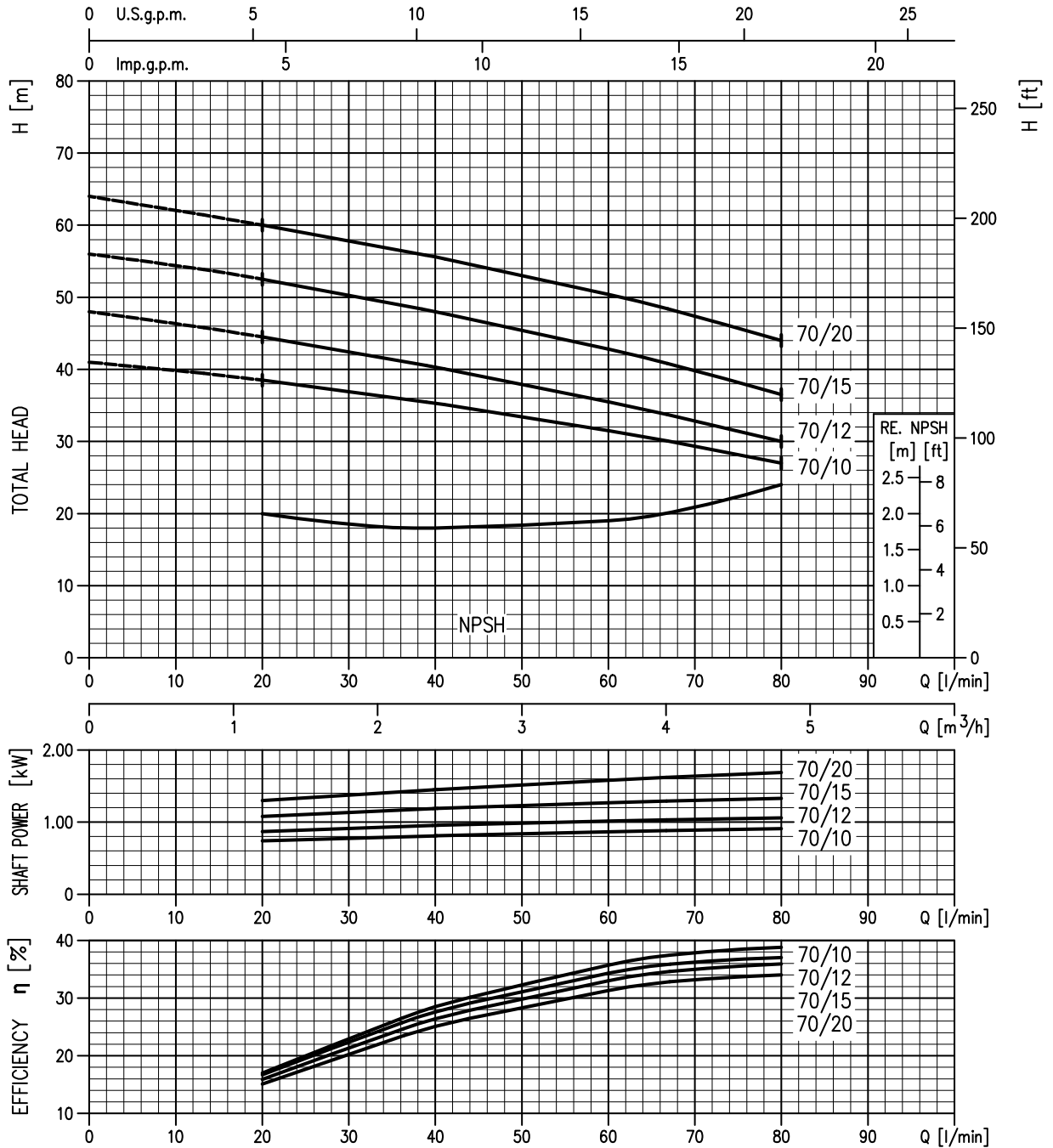
The continuous curves indicate the recommended working range. The dotted curve is only a guide.

In order to avoid the risk of over-heating, the pumps should not be used at a flow rate below 10% of best efficiency point.

Symbols explanation:

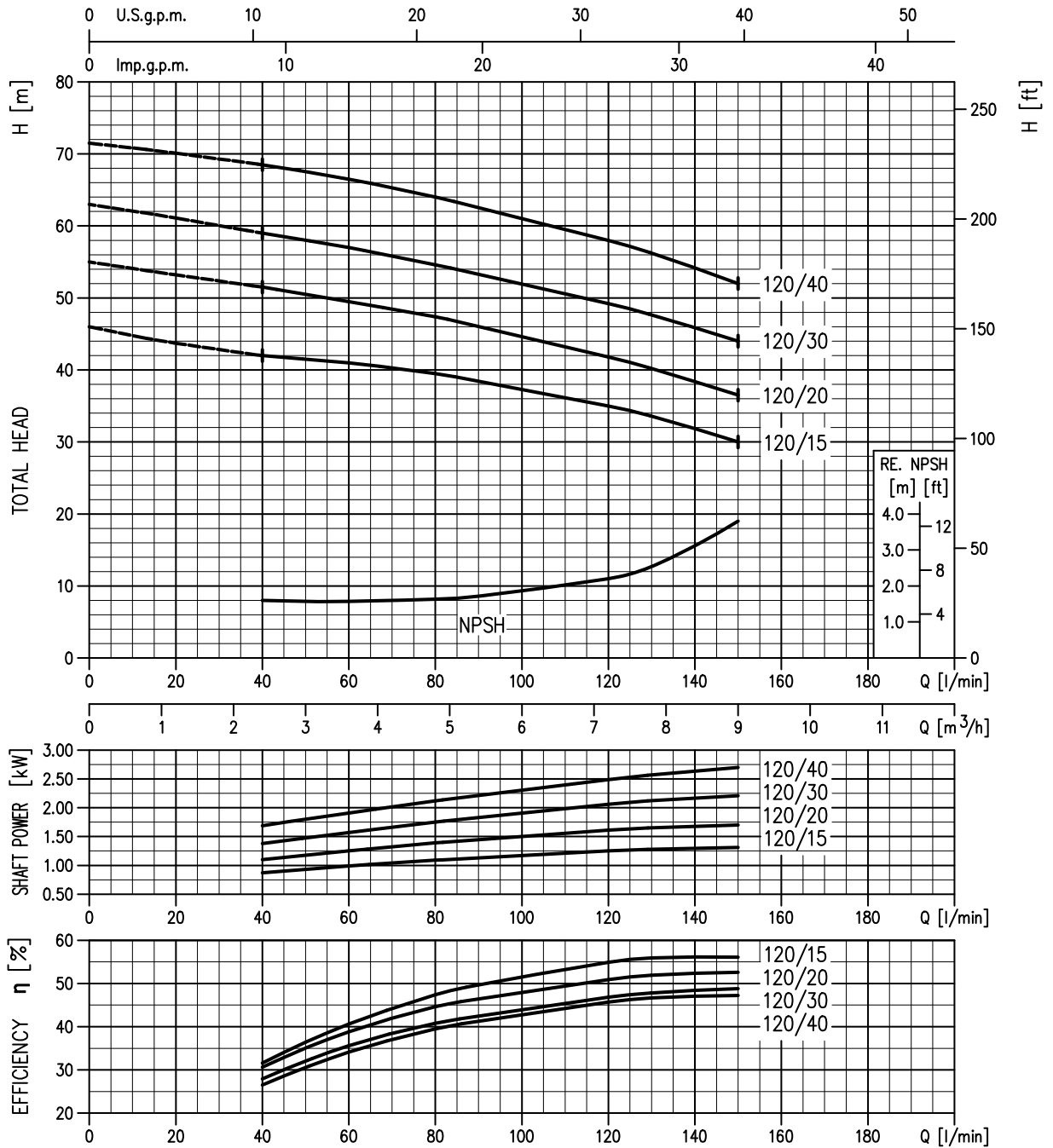
- Q = volume flow rate
- H = total head
- P_2 = pump power input (shaft power)
- η = pump efficiency
- NPSH = net positive suction head required by the pump

2CDX 70/10 (0.75 kW) - Impeller diameter = 132/132 mm
 2CDX 70/12 (0.9 kW) - Impeller diameter = 153/132 mm
 2CDX 70/15 (1.1 kW) - Impeller diameter = 153/153 mm
 2CDX 70/20 (1.5 kW) - Impeller diameter = 153/176 mm



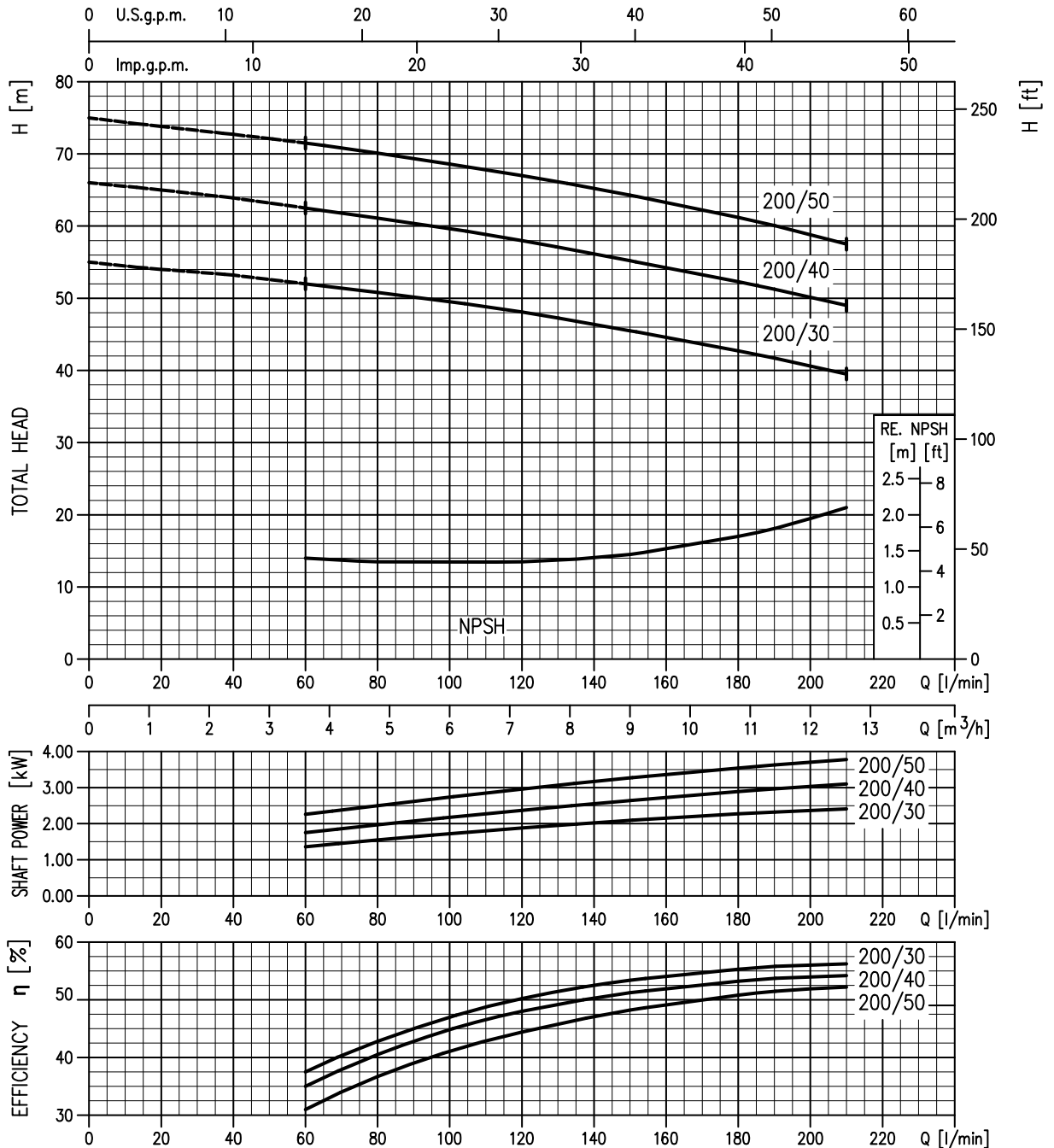
Rotation speed ≈ 2800 min⁻¹
 Test standard: ISO 9906 – Annex A

2CDX 120/15 (1.1 kW) - Impeller diameter = 132/132 mm
 2CDX 120/20 (1.5 kW) - Impeller diameter = 157/132 mm
 2CDX 120/30 (2.2 kW) - Impeller diameter = 157/157 mm
 2CDX 120/40 (3.0 kW) - Impeller diameter = 176/157 mm



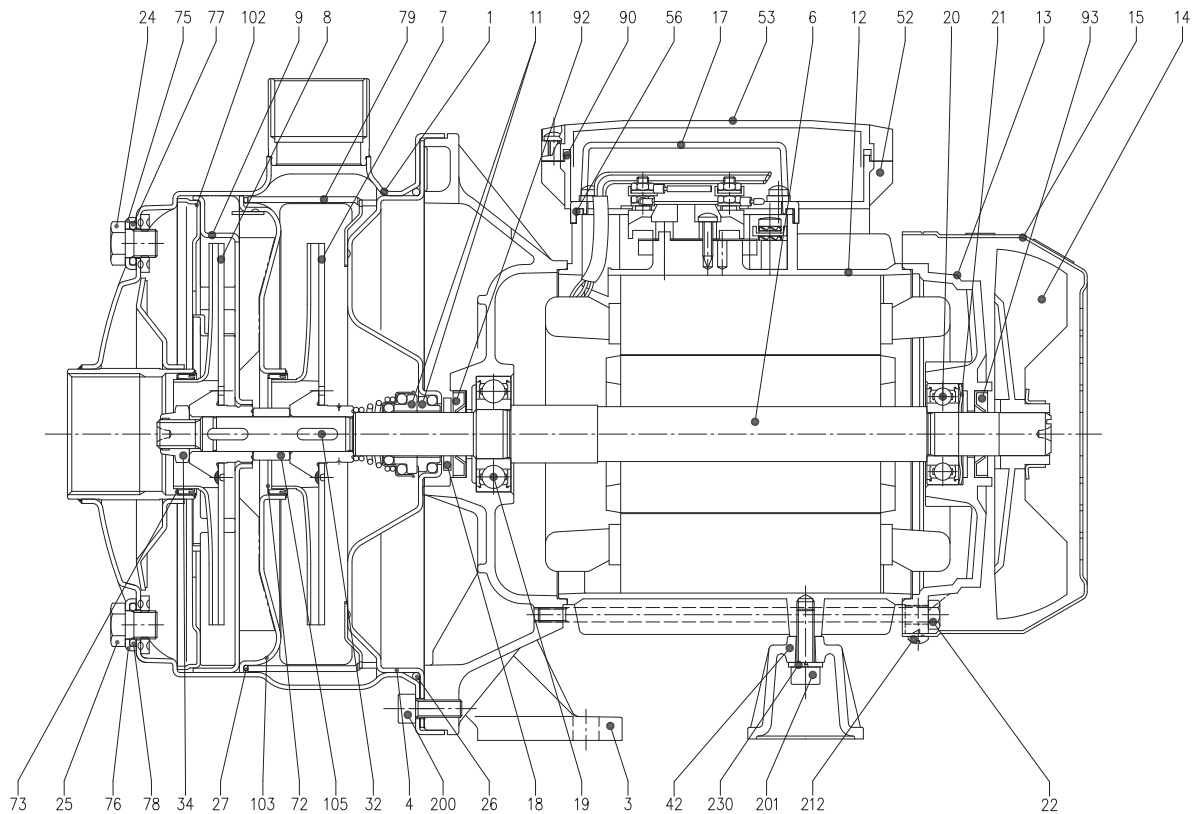
Rotation speed $\approx 2800 \text{ min}^{-1}$
 Test standard: ISO 9906 – Annex A

2CDX 200/30 (2.2 kW) - Impeller diameter = 157/132 mm
 2CDX 200/40 (3.0 kW) - Impeller diameter = 157/157 mm
 2CDX 200/50 (3.7 kW) - Impeller diameter = 176/157 mm



Rotation speed $\approx 2800 \text{ min}^{-1}$
 Test standard: ISO 9906 – Annex A

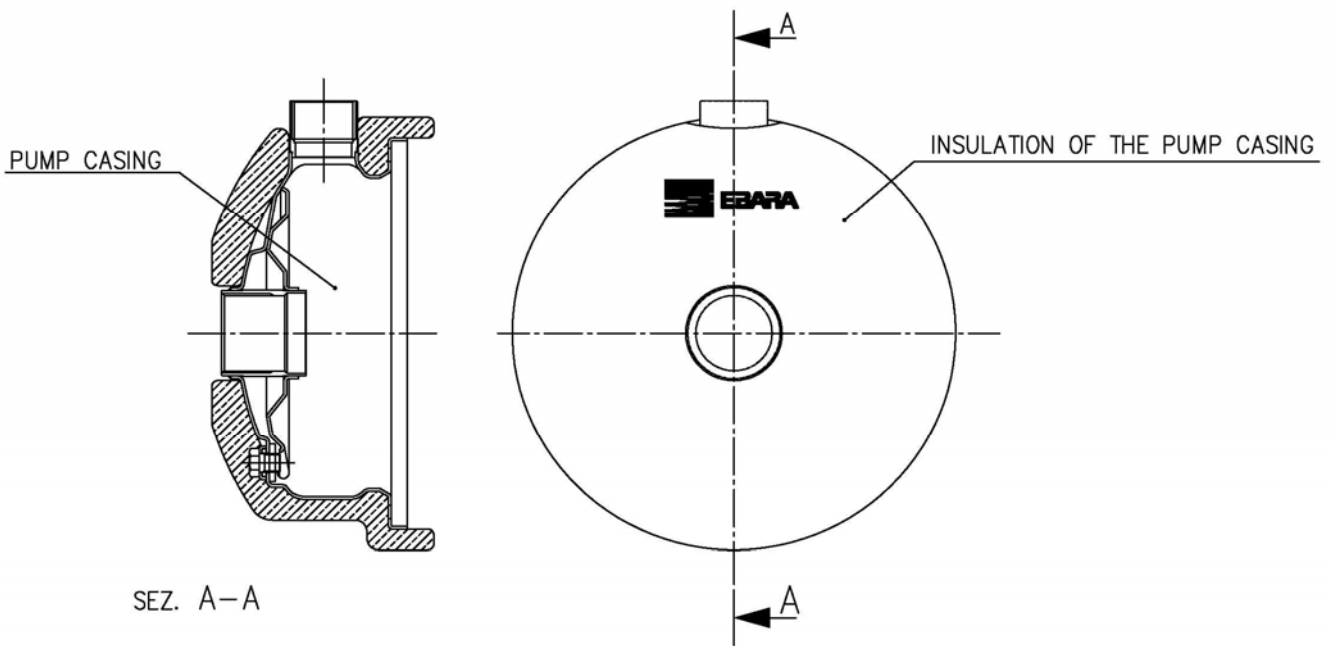
SECTIONAL VIEW



| N° | PART NAME | MATERIAL | DIMENSION | STANDARD | Q.TY | N° | PART NAME | MATERIAL | DIMENSION | STANDARD | Q.TY |
|----|-------------------------|---|--------------|----------|------|-----|-------------------------------|---|----------------|----------|------|
| 1 | Casing | AISI 304 / AISI 316 [6] | | | 1 | 42 | Motor support | Aluminium | | | 1 |
| 3 | Motor bracket | [4] | | | 1 | 52 | Capacitor box [1] | ABS class V-0 | | | 1 |
| 4 | Casing cover | AISI 304 / AISI 316 [6] | | | 1 | 53 | Capacitor box cover [1] | ABS class V-0 | | | 1 |
| 6 | Shaft with rotor | AISI 303 / AISI 316 [6] (Wet extension) | | | 1 | 56 | Box gasket | NBR | | | 1 |
| 7 | Impeller | AISI 304 / AISI 316 [6] | | | 1 | 72 | Casing ring [5] | NBR | | | 1 |
| 8 | Impeller | AISI 304 / AISI 316 [6] | | | 1 | 73 | Casing ring [5] | NBR | | | 1 |
| 9 | Diffuser | AISI 304 / AISI 316 [6] | | | 1 | 75 | Washer | AISI 304 | | | 1 |
| 11 | Mechanical seal | Ceramic/Carbon/NBR | see page 301 | | 1 | 76 | Washer | AISI 304 | | | 1 |
| 12 | Motor frame with stator | - | | | 1 | 77 | O-ring [3] | NBR | | | 1 |
| 13 | Motor cover | Aluminium | | | 1 | 78 | O-ring [3] | NBR | | | 1 |
| 14 | Fan | PA | | | 1 | 79 | Space diffuser | AISI 304 / AISI 316 [6] | | | 1 |
| 15 | Fan cover | Fe P04 Galvanized | | | 1 | 90 | Terminal box cover gasket [1] | NBR | | | 1 |
| 17 | Terminal box cover [2] | Aluminium | | | 1 | 92 | Lip seal | NBR | | | 1 |
| 18 | Splash ring | NBR | | | 1 | 93 | Lip seal | NBR | | | 1 |
| 19 | Pump side ball bearing | - | | | 1 | 102 | Suction cover | AISI 304 / AISI 316 [6] | | | 1 |
| 20 | Fan side ball bearing | - | | | 1 | 103 | Conveyor cover | AISI 304 / AISI 316 [6] | | | 1 |
| 21 | Adjusting ring | Steel C70 | | | 1 | 105 | Sleeve | AISI 304 / AISI 316 [6] | | | 1 |
| 22 | Tie rod | Fe 420 Galvanized | | | 4 | | | | | | |
| 24 | Priming plug | AISI 304 / AISI 316 [6] | | | 1 | 200 | Screw | 70/10, 120/15, 120/20, 200/30 70/12, 70/15, 70/20, 120/30, 120/40, 200/40, 200/50 | M6X16 M8X18 | UNI 5931 | 8 |
| 25 | Drain plug | AISI 304 / AISI 316 [6] | | | 1 | | | | | | |
| 26 | O-ring [3] | NBR | | | 1 | 201 | Screw | Zn. Steel cl.8.8 | | UNI 5931 | 1 |
| 27 | O-ring [3] | NBR | | | 1 | 212 | Screw | Stainless steel A2 | 3.5X9,5 | UNI 6954 | 4 |
| 32 | Key | AISI 316 | | | 2 | 230 | Washer | Steel C70 | 6.4 | UNI 1751 | 1 |
| 34 | Impeller nut | Stainless steel A2-70 | M10X1,25 | UNI 7474 | 1 | | | | | | |

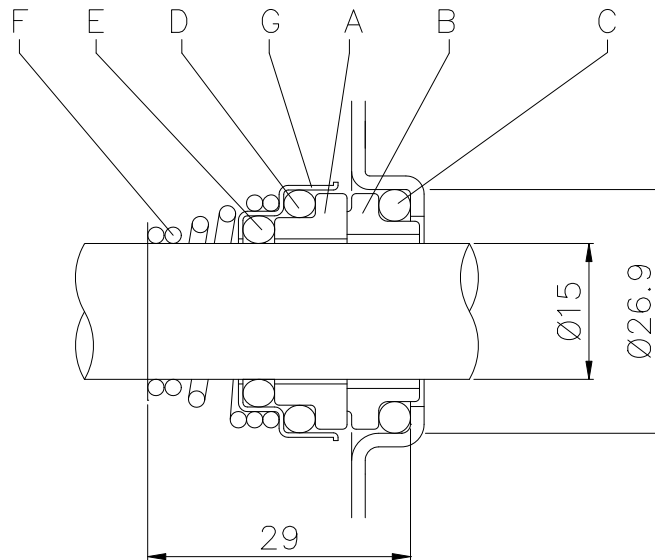
- [1] Only for single phase
- [2] Only for three phase
- [3] FPM for H-HS-HW-HSW
EPDM for E
- [4] Material: Aluminium for version up to 1.5 kW included
Cast iron for version 2.2 kW and above
- [5] FPM for H-HS-HW-HSW
NBR for E
- [6] Only for "L" version

THERMAL INSULATION



| Pump Type | Insulation of the pump casing |
|-------------|-------------------------------|
| 2CDX 70/10 | ON REQUEST |
| 2CDX 70/12 | |
| 2CDX 70/15 | |
| 2CDX 70/20 | |
| 2CDX 120/15 | |
| 2CDX 120/20 | |
| 2CDX 120/30 | |
| 2CDX 120/40 | |
| 2CDX 200/30 | |
| 2CDX 200/40 | |
| 2CDX 200/50 | |

MECHANICAL SEAL



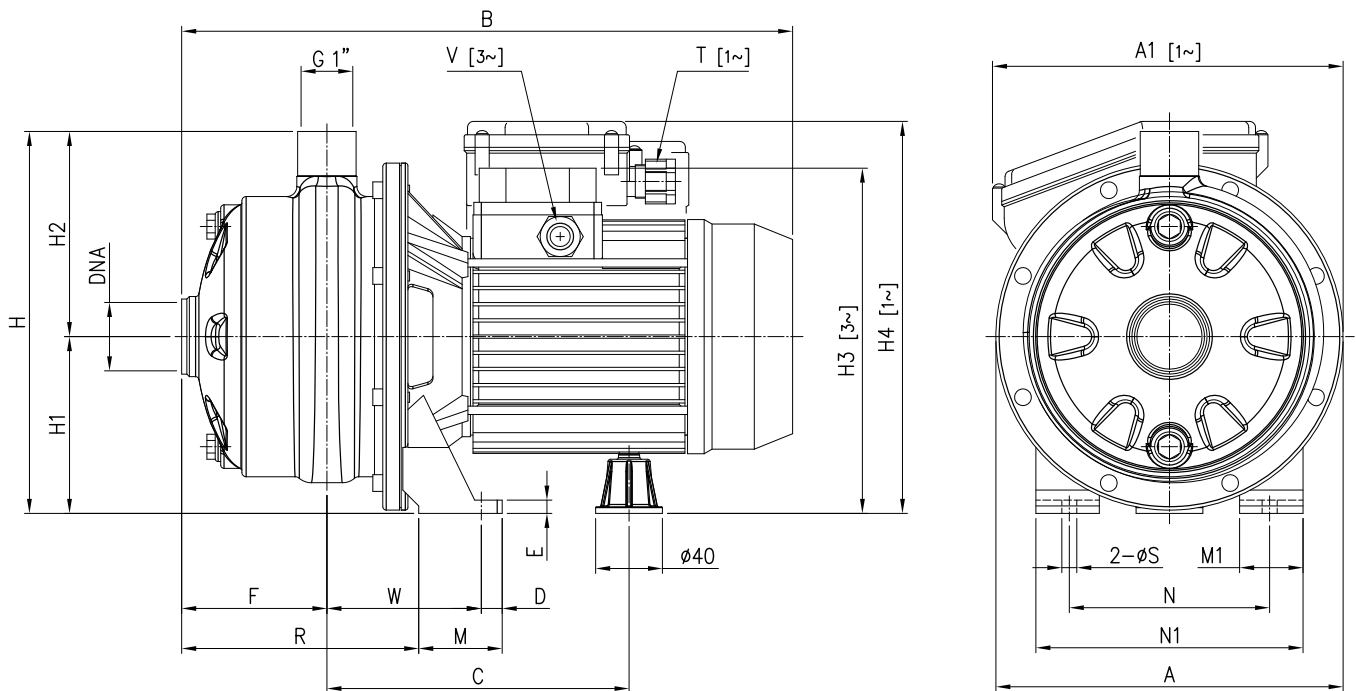
| REF | PART NAME | MATERIAL | | | | | |
|-----|----------------------|-------------------------|-----------------|-----------------|-------------------|------------------|-----------------|
| | | Standard version (2CDX) | (2CDXH) | (2CDXHS) | Optional (2CDXHW) | (2CDXHSW) | (2CDXE) |
| A | Rotary seal ring | Ceramic | Ceramic | Silicon carbide | Tungsten carbide | Silicon carbide | Ceramic |
| B | Stationary seal ring | Carbon graphite | Carbon graphite | Silicon carbide | Tungsten carbide | Tungsten carbide | Carbon graphite |
| C | O Ring | NBR | FPM | FPM | FPM | FPM | EPDM |
| D | O Ring | NBR | FPM | FPM | FPM | FPM | EPDM |
| E | O Ring | NBR | FPM | FPM | FPM | FPM | EPDM |
| F | Self driving spring | AISI 316 | AISI 316 | AISI 316 | AISI 316 | AISI 316 | AISI 316 |
| G | Frame | AISI 304 | AISI 304 | AISI 316 | AISI 316 | AISI 316 | AISI 316 |

BEARINGS

| Pump type | | Ball Bearing | | | |
|--------------|-------------|--------------|------------|-----------|------------|
| Single Phase | Three Phase | Pump side | (**) | | (**) |
| | | | Pump side | Fan side | |
| 2CDXM 70/10 | 2CDX 70/10 | 6203 2RSH | 6203-ZZ C3 | 6202 2RSH | 6202-ZZ C3 |
| 2CDXM 70/12 | 2CDX 70/12 | 6203 2RSH | 6203-ZZ C3 | 6202 2RSH | 6202-ZZ C3 |
| 2CDXM 70/15 | 2CDX 70/15 | 6204 2RSH | 6204-ZZ C3 | 6203 2RSH | 6203-ZZ C3 |
| 2CDXM 70/20 | 2CDX 70/20 | 6204 2RSH | 6204-ZZ C3 | 6203 2RSH | 6203-ZZ C3 |
| 2CDXM 120/15 | 2CDX 120/15 | 6204 2RSH | 6204-ZZ C3 | 6203 2RSH | 6203-ZZ C3 |
| 2CDXM 120/20 | 2CDX 120/20 | 6204 2RSH | 6204-ZZ C3 | 6203 2RSH | 6203-ZZ C3 |
| - | 2CDX 120/30 | 6305 2RSH | 6305-ZZ C3 | 6205 2RSH | 6205-ZZ C3 |
| - | 2CDX 120/40 | 6305 2RSH | 6305-ZZ C3 | 6205 2RSH | 6205-ZZ C3 |
| - | 2CDX 200/30 | 6205 2RSH | 6205-ZZ C3 | 6205 2RSH | 6205-ZZ C3 |
| - | 2CDX 200/40 | 6305 2RSH | 6305-ZZ C3 | 6205 2RSH | 6205-ZZ C3 |
| - | 2CDX 200/50 | 6206 2RSH | 6206-ZZ C3 | 6205 2RSH | 6205-ZZ C3 |

(**) Only for IE3 Motors

PUMP



| Pump type | Dimensions [mm] | | | | | | | | | | | | | | | | | | | | Weight [kgf] | | | | | | | | | | |
|-----------|-----------------|-------------|-------|--------|-------------|---------------|---------------|---------------|------|----|-----|-----|-----|---------|---------|---------|----|----|-----|-----|--------------|---------|---------|-------------|---------|-------|-----|------|------|------|------|
| | A | (*) A1 [1~] | [1~] | B [3~] | (**) B [3~] | C | (**) | D | E | F | H | H1 | H2 | H3 [3~] | H3 (**) | H4 [1~] | M | M1 | N | N1 | R | T [1~] | V [3~] | (**) V [3~] | W | S | DNA | [1~] | [3~] | (**) | |
| 2CDXM | 208 | - | 355 | 354 | 354 | 181 | 181 | 12.5 | 8 | 87 | 229 | 106 | 123 | 207 | 207 | 216 | 50 | 38 | 120 | 160 | 142 | PG 11 | PG 11 | M16x1.5 | 92.5 | 9 | G1¼ | 12.7 | 12.6 | 12.6 | |
| 2CDX | 208 | 210 | 355 | 366 | 366 | 181 | 181 | 12.5 | 8 | 87 | 229 | 106 | 123 | 207 | 207 | 235 | 50 | 38 | 120 | 160 | 142 | PG 13.5 | PG 11 | M16x1.5 | 92.5 | 9 | G1¼ | 13.3 | 13.7 | 13.7 | |
| | 232 | - | 395.5 | 382 | 407 | 198.5 | 198.5 | 12.5 | 8 | 89 | 250 | 118 | 132 | 237 | 237 | 248.5 | 55 | 40 | 140 | 180 | 141.5 | PG 13.5 | PG 11 | M20x1.5 | 95 | 9 | G1¼ | 17.5 | 17 | 17 | |
| | 232 | - | 382.5 | 395 | 407.5 | 198.5 | 198.5 | 12.5 | 8 | 89 | 250 | 118 | 132 | 237 | 237 | 248.5 | 55 | 40 | 140 | 180 | 141.5 | PG 13.5 | PG 11 | M20x1.5 | 95 | 9 | G1¼ | 18.5 | 19.2 | 20.1 | |
| | 208 | 210 | 395.5 | 382 | 407 | 198.5 | 198.5 | 12.5 | 8 | 89 | 229 | 106 | 123 | 225 | 225 | 236.5 | 55 | 40 | 140 | 180 | 141.5 | PG 13.5 | PG 11 | M20x1.5 | 95 | 9 | G1¼ | 16.3 | 15.6 | 15.6 | |
| | 208 | 210 | 382.5 | 395 | 407.5 | 198.5 | 198.5 | 12.5 | 8 | 89 | 229 | 106 | 123 | 225 | 225 | 236.5 | 55 | 40 | 140 | 180 | 141.5 | PG 13.5 | PG 11 | M20x1.5 | 95 | 9 | G1¼ | 17 | 17.4 | 18.3 | |
| | 232 | - | - | 419 | 405 | 223.5 + 234.5 | 198.5 | 12.5 | 10 | 87 | 250 | 118 | 132 | 242 | 237 | - | 65 | 40 | 140 | 180 | 143.5 | - | PG 13.5 | M20x1.5 | 109 | 9 | G1¼ | - | 25.2 | 26.1 | |
| | 232 | - | - | 458 | 458 | 223.5 + 234.5 | 223.5 + 234.5 | 12.5 | 10 | 87 | 250 | 118 | 132 | 242 | 242 | - | 65 | 40 | 140 | 180 | 143.5 | - | PG 13.5 | M20x1.5 | 109 | 9 | G1¼ | - | 27.8 | 27.8 | |
| | 200/30 | 208 | - | - | 458 | 458 | 223.5 + 234.5 | 223.5 + 234.5 | 12.5 | 10 | 87 | 229 | 106 | 123 | 230 | 230 | - | 65 | 40 | 140 | 180 | 143.5 | - | PG 13.5 | M20x1.5 | 109 | 9 | G1¼ | - | 25.7 | 26.6 |
| | 200/40 | 232 | - | - | 458 | 458 | 223.5 + 234.5 | 223.5 + 234.5 | 12.5 | 10 | 87 | 250 | 118 | 132 | 242 | 242 | - | 65 | 40 | 140 | 180 | 143.5 | - | PG 13.5 | M20x1.5 | 109 | 9 | G1¼ | - | 27.6 | 27.6 |
| | 200/50 | 232 | - | - | 481 | 481 | 232.5 | 232.5 | 16 | 12 | 87 | 250 | 118 | 132 | 259 | 259 | - | 68 | 50 | 160 | 210 | 143.5 | - | PG 16 | M20x1.5 | 108.5 | 12 | G1½ | - | 35.6 | 35.6 |

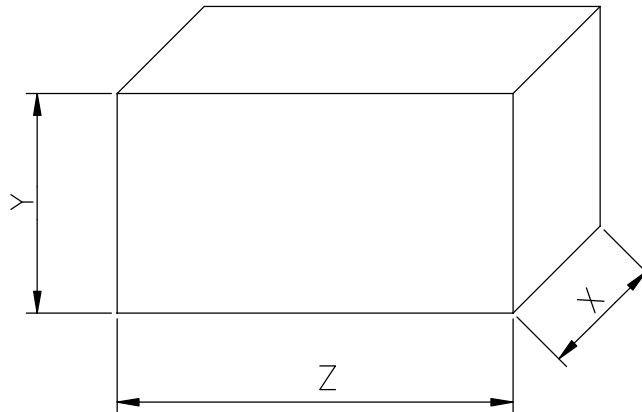
(*) Specified only if higher than "A"

(**) Only for IE3 Motors

[1~] Single phase

[3~] Three phase

PACKING



| Pump type | | Packing [mm] | | | | | | | | Weight [kgf] | | |
|--------------|-------------|--------------|------|------|------|------|------|------|------|--------------|------|------|
| Single Phase | Three Phase | X | | Y | | Z | | [1~] | [3~] | [1~] | [3~] | (**) |
| | | [1~] | [3~] | [1~] | [3~] | [1~] | [3~] | | | | | |
| 2CDXM 70/10 | 2CDX 70/10 | 225 | 225 | 278 | 278 | 373 | 387 | 13.3 | 13.3 | 13.3 | | |
| 2CDXM 70/12 | 2CDX 70/12 | 225 | 225 | 278 | 278 | 373 | 387 | 13.9 | 14.6 | 14.6 | | |
| 2CDXM 70/15 | 2CDX 70/15 | 244 | 244 | 308 | 308 | 437 | 437 | 18.4 | 17.8 | 17.8 | | |
| 2CDXM 70/20 | 2CDX 70/20 | 244 | 244 | 308 | 308 | 437 | 437 | 19.5 | 20.1 | 21 | | |
| 2CDXM 120/15 | 2CDX 120/15 | 244 | 244 | 308 | 308 | 437 | 437 | 17 | 16.4 | 16.4 | | |
| 2CDXM 120/20 | 2CDX 120/20 | 244 | 244 | 308 | 308 | 437 | 437 | 17.7 | 18.4 | 19.3 | | |
| - | 2CDX 120/30 | - | 244 | - | 313 | - | 507 | - | 25.8 | 26.7 | | |
| - | 2CDX 120/40 | - | 244 | - | 313 | - | 507 | - | 28.8 | 28.8 | | |
| - | 2CDX 200/30 | - | 244 | - | 313 | - | 507 | - | 27.6 | 28.5 | | |
| - | 2CDX 200/40 | - | 244 | - | 313 | - | 507 | - | 28.6 | 28.6 | | |
| - | 2CDX 200/50 | - | 244 | - | 313 | - | 507 | - | 37.5 | 37.5 | | |

[1~] Single phase
 [3~] Three phase

MOTOR DATA

| Pump type | | Power | | Efficiency | | Capacitor | | Efficiency (% load) | | | Input [kW] | | Full load current [A] | | | Locked rotor current [A] | | | |
|--------------|-------------|-------|------|--------------|-------------|--------------|-------------|---------------------|------|------|--------------|-------------|-----------------------|-------------|--------------|--------------------------|--------------|-------------|------|
| Single Phase | Three Phase | [kW] | [HP] | Single Phase | Three Phase | Single Phase | Three Phase | Three phase η % | | | Single Phase | Three Phase | Single Phase | Three Phase | Single Phase | Three Phase | Single Phase | Three Phase | |
| | | | | | | [μF] | [V] | 50% | 75% | 100% | | | 230 V | 230 V | 400 V | 230 V | 230 V | 400 V | |
| 2CDXM 70/10 | 2CDX 70/10 | 0.75 | 1.0 | - | IE2 | 20 | 450 | 77.2 | 80.9 | 81.3 | 1.30 | 1.14 | 6.0 | 3.6 | 2.0 | 22.7 | 22.0 | 12.9 | |
| - | 2CDX 70/10 | 0.75 | 1.0 | - | IE3 | - | - | 80.9 | 82.3 | 82.1 | - | 0.91 | - | 3.0 | 1.7 | - | - | 19.7 | 11.4 |
| 2CDXM 70/12 | 2CDX 70/12 | 0.9 | 1.2 | - | IE2 | 31.5 | 450 | 79.0 | 81.7 | 81.6 | 1.55 | 1.35 | 7.0 | 4.3 | 2.5 | 25.5 | 31.0 | 17.8 | |
| - | 2CDX 70/12 | 0.9 | 1.2 | - | IE3 | - | - | 81.7 | 83.1 | 82.4 | - | 1.34 | - | 4.3 | 2.5 | - | - | 28.8 | 16.6 |
| 2CDXM 70/15 | 2CDX 70/15 | 1.1 | 1.5 | - | IE2 | 40 | 450 | 79.7 | 82.5 | 83.0 | 1.80 | 1.80 | 8.1 | 5.6 | 3.2 | 43.0 | 45.0 | 25.7 | |
| - | 2CDX 70/15 | 1.1 | 1.5 | - | IE3 | - | - | 83.0 | 85.8 | 85.6 | - | 1.77 | - | 5.8 | 3.3 | - | - | 47.4 | 27.4 |
| 2CDXM 70/20 | 2CDX 70/20 | 1.5 | 2.0 | - | IE2 | 40 | 450 | 80.3 | 83.4 | 83.8 | 2.30 | 2.28 | 10.0 | 7.4 | 4.3 | 43.0 | 34.3 | 20.0 | |
| - | 2CDX 70/20 | 1.5 | 2.0 | - | IE3 | - | - | 84.2 | 86.8 | 86.9 | - | 2.01 | - | 7.1 | 4.1 | - | - | 66.6 | 38.4 |
| 2CDXM 120/15 | 2CDX 120/15 | 1.1 | 1.5 | - | IE2 | 40 | 450 | 79.7 | 82.5 | 83.0 | 1.80 | 1.80 | 8.3 | 5.6 | 3.2 | 43.0 | 45.0 | 25.7 | |
| - | 2CDX 120/15 | 1.1 | 1.5 | - | IE3 | - | - | 83.0 | 85.8 | 85.6 | - | 1.77 | - | 5.8 | 3.3 | - | - | 47.4 | 27.4 |
| 2CDXM 120/20 | 2CDX 120/20 | 1.5 | 2.0 | - | IE2 | 40 | 450 | 80.3 | 83.4 | 83.8 | 2.35 | 2.28 | 10.2 | 7.3 | 4.2 | 43.0 | 34.3 | 20.0 | |
| - | 2CDX 120/20 | 1.5 | 2.0 | - | IE3 | - | - | 84.2 | 86.8 | 86.9 | - | 2.01 | - | 7.1 | 4.1 | - | - | 66.6 | 38.4 |
| - | 2CDX 120/30 | 2.2 | 3.0 | - | IE2 | - | - | 83.1 | 85.7 | 86.2 | - | 2.90 | - | 8.8 | 5.1 | - | - | 75.0 | 43.5 |
| - | 2CDX 120/30 | 2.2 | 3.0 | - | IE3 | - | - | 86.2 | 87.0 | 86.0 | - | 2.55 | - | 8.2 | 4.7 | - | - | 66.6 | 38.4 |
| - | 2CDX 120/40 | 3.0 | 4.0 | - | IE2 | - | - | 85.0 | 86.7 | 86.3 | - | 3.48 | - | 10.6 | 6.1 | - | - | 100.0 | 57.7 |
| - | 2CDX 120/40 | 3.0 | 4.0 | - | IE3 | - | - | 85.9 | 87.5 | 87.1 | - | 3.44 | - | 11.1 | 6.4 | - | - | 90.0 | 52.0 |
| - | 2CDX 200/30 | 2.2 | 3.0 | - | IE2 | - | - | 85.0 | 86.7 | 86.3 | - | 3.48 | - | 10.6 | 6.1 | - | - | 100.0 | 57.7 |
| - | 2CDX 200/30 | 2.2 | 3.0 | - | IE3 | - | - | 85.9 | 87.5 | 87.1 | - | 3.44 | - | 11.1 | 6.4 | - | - | 90.0 | 52.0 |
| - | 2CDX 200/40 | 3.0 | 4.0 | - | IE2 | - | - | 85.0 | 86.7 | 86.3 | - | 3.83 | - | 11.6 | 6.7 | - | - | 100.0 | 57.7 |
| - | 2CDX 200/40 | 3.0 | 4.0 | - | IE3 | - | - | 85.9 | 87.5 | 87.1 | - | 3.44 | - | 11.1 | 6.4 | - | - | 90.0 | 52.0 |
| - | 2CDX 200/50 | 3.7 | 5.0 | - | IE2 | - | - | 84.3 | 87.2 | 87.8 | - | 4.56 | - | 15.1 | 8.7 | - | - | 151.0 | 87.0 |
| - | 2CDX 200/50 | 3.7 | 5.0 | - | IE3 | - | - | 85.8 | 88.3 | 88.4 | - | 4.52 | - | 15.1 | 8.7 | - | - | 131.8 | 76.1 |

NOISE DATA

| Pump type | | Power | | L _{pA} - dB(A) * |
|--------------|-------------|-------|------|---------------------------|
| Single Phase | Three Phase | [kW] | [HP] | |
| 2CDXM 70/10 | 2CDX 70/10 | 0.75 | 1.0 | 62 |
| 2CDXM 70/12 | 2CDX 70/12 | 0.9 | 1.2 | |
| 2CDXM 70/15 | 2CDX 70/15 | 1.1 | 1.5 | |
| 2CDXM 70/20 | 2CDX 70/20 | 1.5 | 2.0 | 64 |
| 2CDXM 120/15 | 2CDX 120/15 | 1.1 | 1.5 | |
| 2CDXM 120/20 | 2CDX 120/20 | 1.5 | 2.0 | |
| - | 2CDX 120/30 | 2.2 | 3.0 | 68 |
| - | 2CDX 120/40 | 3.0 | 4.0 | |
| - | 2CDX 200/30 | 2.2 | 3.0 | |
| - | 2CDX 200/40 | 3.0 | 4.0 | |
| - | 2CDX 200/50 | 3.7 | 5.0 | |

* Mean value of several measures at 1m distance around the pump.
Tolerance ± 2.5 dB.

