

BOXER 100

ÇİFT DİYAFRAMLI HAVALI POMPA

Emme / basma hatları	G 1"
Hava giriş portu	G 3/8"
Max. kapasite	160 l/min
Max. basınç	8 bar
Max. basma yükseliği	80 m
Max. katı partikül boyutu	4 mm
Ses seviyesi	75 dB



ELECTROPOLISHED AISI 316

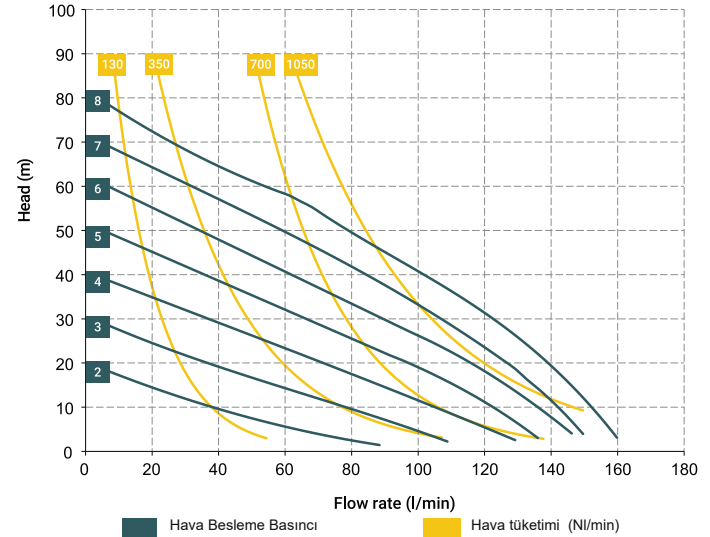
BOXER 100

Maximum Ölçüler

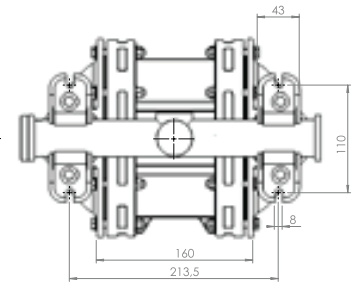
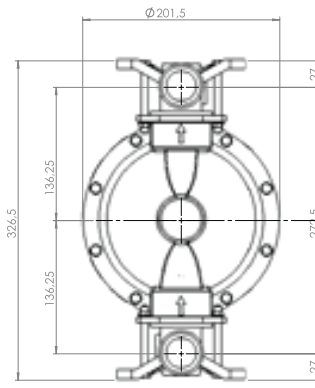
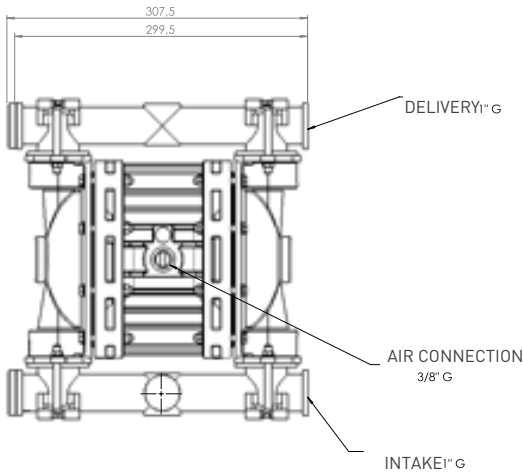
Yükseklik	327 mm
Genişlik	308 mm
Derinlik	202 mm

Gövde Malzemesi (Şase ve Manifoldlar)

AISI 316	11.7 Kg
	Max. 3°C min. 95°C max



*The curves and the performances refer to pumps with immersed suction and open delivery outlet, with water at 20°C and vary based on the composition materials.



ANA UYGULAMA SEKTÖRLERİ



AUTOMOTIVE



PRODUCTION AND STORAGE OF BIODIESEL



WATER AND SLUDGE TREATMENT



CHEMICAL INDUSTRY



OIL & GAS



GRAPHIC INDUSTRY



CERAMIC, STONE, MARBLE, GLASS AND MINING INDUSTRY



PAINT INDUSTRY



GOLD PROCESSING INDUSTRY



PACKING, GLUE, PAPER AND PAPER MILLS



TEXTILE AND LEATHER INDUSTRY



GALVANIC AND ELECTRONIC INDUSTRY



MECHANICAL AND METAL LURGIC INDUSTRY



