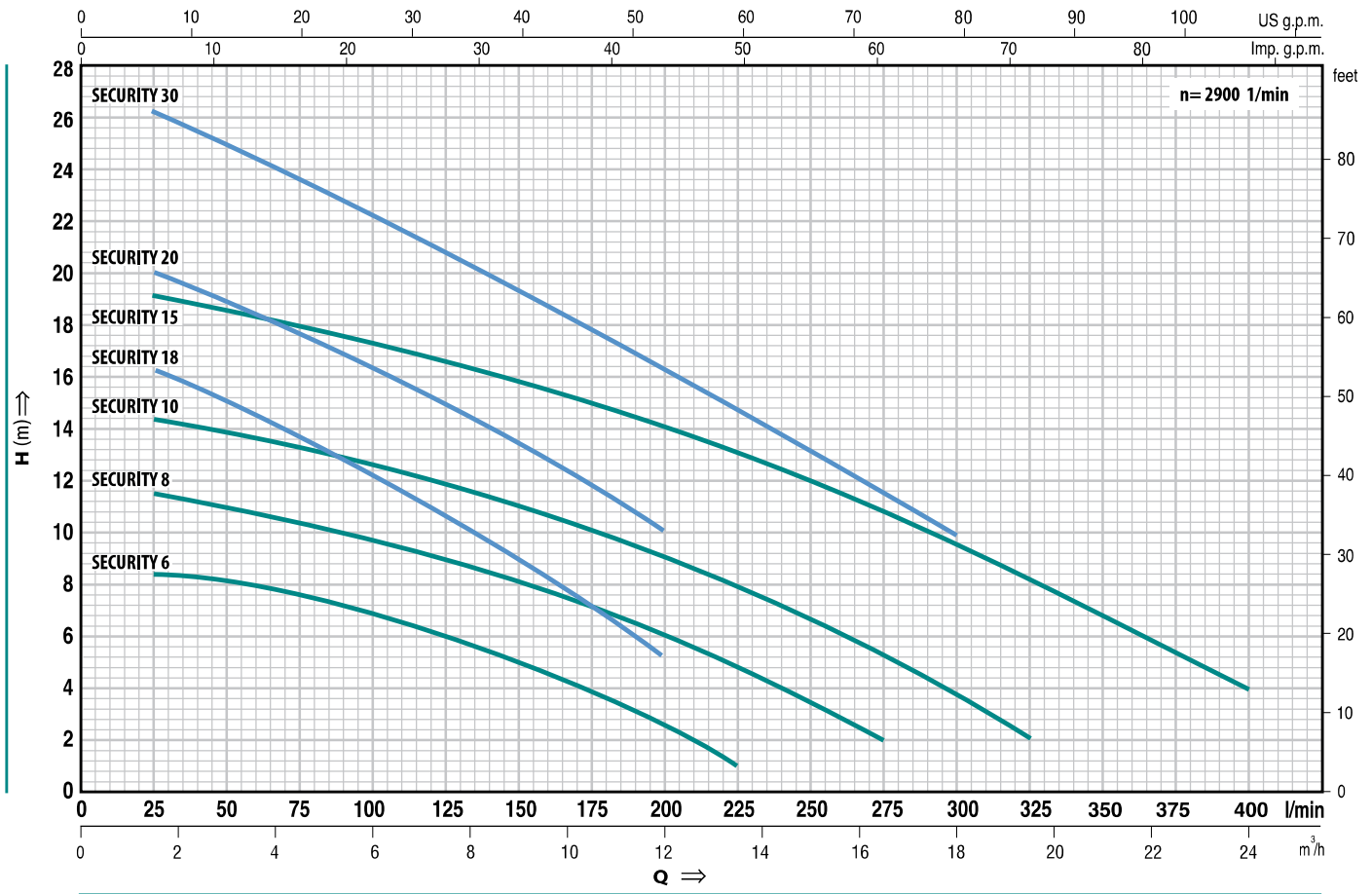




SECURITY

DRAINAGE submersible pumps



Q = Flow rate H = Total manometric head

Tolerance of the performance curves according to EN ISO 9906 App. A.

TYPE		POWER		m³/h l/min	H metres																		
Single-phase	Three-phase	kW	HP		0	1.5	3.0	4.5	6.0	7.5	9.0	10.5	12.0	13.5	15.0	16.5	18.0	19.5	21.0	24.0			
				0	25	50	75	100	125	150	175	200	225	250	275	300	325	350	400				
SECURITY 6M	----	0.45	0.60	9	8.5	8	7.5	6.8	6	5.2	4	2.6	1										
SECURITY 8M	----	0.60	0.85	12	11.5	11	10.5	9.8	9	8.2	7.2	6	4.8	3.5	2								
SECURITY 10M	SECURITY 10	0.75	1	15	14.5	14	13.2	12.5	11.8	11	10	9	8	6.8	5.4	3.5	2						
SECURITY 15M	SECURITY 15	1.1	1.5	19.5	19	18.5	18	17.5	16.5	16	15	14	13	11.8	10.5	9.2	8	7	4				
SECURITY 18M	----	0.6	0.85	17	16.5	15	13.5	12	10.7	9	7.7	5											
SECURITY 20M	SECURITY 20	0.75	1	21	20	19	17.5	16	15	13.5	12	10											
SECURITY 30M	SECURITY 30	1.1	1.5	27	26	25	23.5	22	21	19.5	18	16	14.5	13	11.5	10							

DIMENSIONS AND WEIGHTS

TYPE		PORT DN	DIMENSIONS mm										kg	
Single-phase	Three-phase		a	b	c	h	h1	d	e	p	∅	1~	3~	
SECURITY 6M	----	1 1/2"	105	81	136	320	66	15	adjustable	500	500	10.6	-	
SECURITY 8M	----											11.9	-	
SECURITY 10M	SECURITY 10											13.0	11.9	
SECURITY 15M	SECURITY 15		15.2	14.1										
SECURITY 18M	----		12.0	-										
SECURITY 20M	SECURITY 20		13.0	11.9										
SECURITY 30M	SECURITY 30		15.2	14.1										





RANGE OF PERFORMANCE

Flow rate up to 400 l/min (24 m³/h)

Head up to 27 m

LIMITS OF USE

Depth up to 5 m

Liquid temperature up to +40°C

Passage of suspended solid bodies up to
Ø 10 mm

Drainage level 15 mm from the bottom

For continuous duty: minimum immer-
sion 220 mm from pump base

INSTALLATION AND USE

DESIGNED FOR DRAINING CLEAR OR SLIGHTLY DIRTY WATER WITH SMALL SOLIDS, THEY ARE RECOMMENDED FOR DOMESTIC, CIVIL AND PROFESSIONAL USE, FOR DRAINING FLOODED AREAS SUCH AS CELLARS AND GARAGES OR FOR EMPTYING SWIMMING POOLS OR TANKS AND FOR DISPOSING OF NON-SEWAGE WASTE WATER. THESE PUMPS ARE OUTSTANDING IN THEIR RELIABILITY IN FIXED INSTALLATIONS WITH AUTOMATIC OPERATION.

GUARANTEE 2 YEARS subject to our general terms of sale.

CONSTRUCTION CHARACTERISTICS

- DELIVERY BODY:

- cast iron, with threaded port ISO 228/1.
- **MOTOR CASING:** stainless steel AISI 304.
- **SUCTION GRID:** stainless steel AISI 304.
- **IMPELLER:** open type, in glass filled technopolymer
- **MOTOR SHAFT:** stainless steel EN 10088-3 - 1.4104.
- **DOUBLE SEAL:** mechanical seal silicon carbide-ceramic- NBR, with oil barrier chamber and inner lip seal to protect the seal in the event of dry running.
- **MOTOR:** submersible asynchronous for continuous duty.
- SECURITY M:** single-phase 220÷240 V - 50 Hz with capacitor and thermal overload protector.
- SECURITY:** three-phase 380÷415 V - 50 Hz.
- **INSULATION:** class F.
- **PROTECTION:** IP 68.

STANDARD FEATURES:

- SECURITY M** (single-phase)
 - Float switch.
 - Neoprene power cable "H07 RN-F" length 5 metres with Schuko plug.
- SECURITY** (three-phase)
 - Neoprene power cable "H07 RN-F" length 5 metres.

OPTIONS ON REQUEST

- ⇒ 10 metres power cable. N.B. required for outdoor use to comply with standard EN 60335-2-41



- ⇒ control box for three-phase pumps 1.1 kW
- ⇒ single-phase pumps without float switch
- ⇒ other voltages or frequency 60 Hz

CONSTRUCTION AND SAFETY STANDARDS

EN 60 335-1

EN 60034-1

IEC 335-1

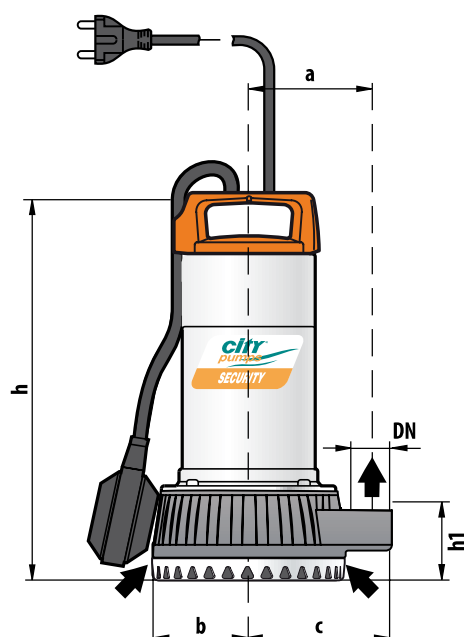
IEC 34-1

CEI 61-150

CEI 2-3



DIMENSIONS



Typical single-phase installation

