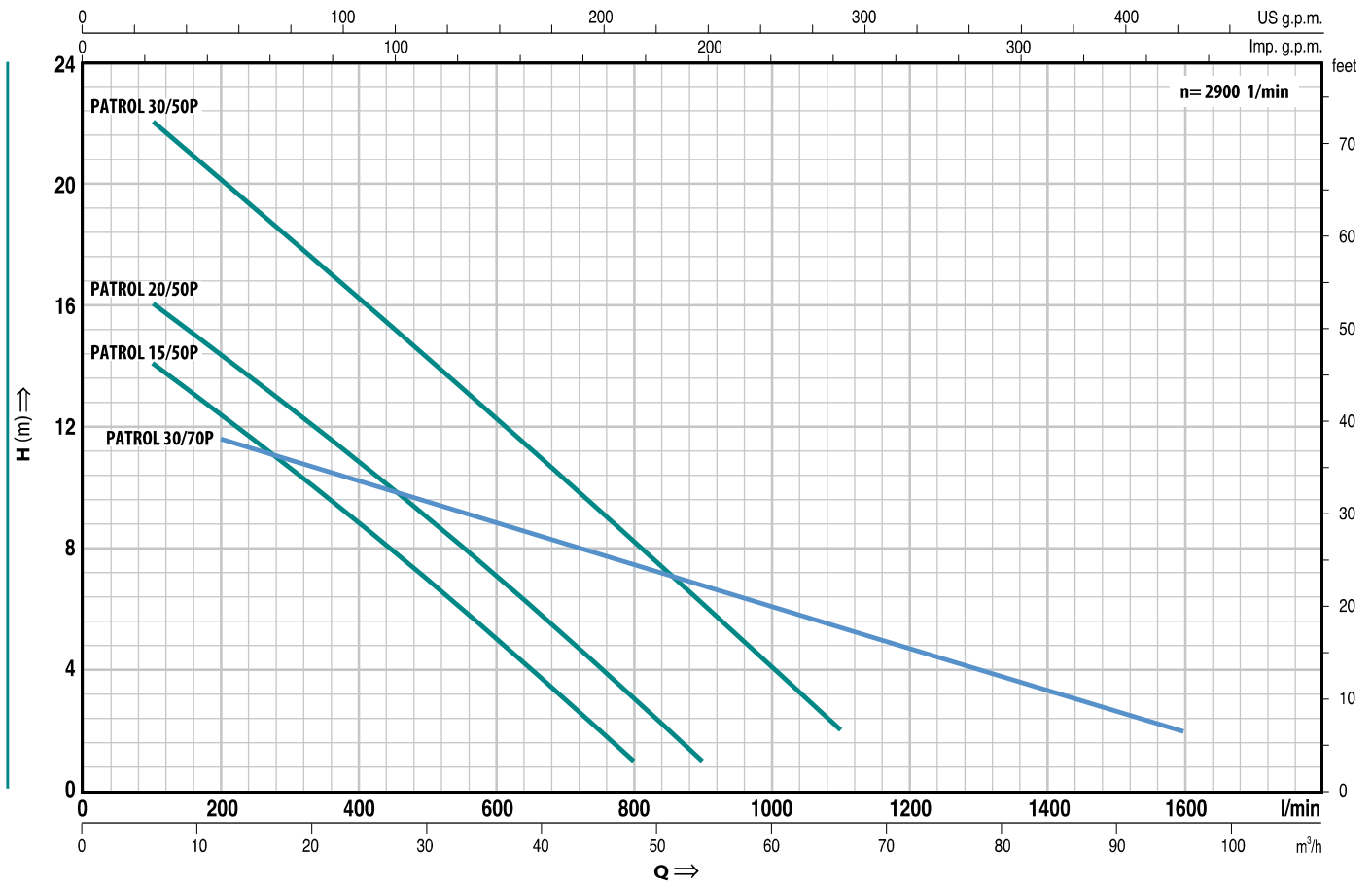


PATROL P

elettropompe sommergibili MONOCANALE



Q = Flow rate H = Total manometric head

Tolerance of the performance curves according to EN ISO 9906 App. A.

TYPE		POWER		m³/h l/min	H metres																
Single-phase	Three-phase	kW	HP		0	6	12	15	18	24	30	36	42	48	54	60	66	72	84	96	
				0	100	200	250	300	400	500	600	700	800	900	1000	1100	1200	1400	1600		
PATROL 15/50PM	PATROL 15/50P	1.1	1.5	16	14	12.5	11.5	10.5	8.5	7	5	3	1								
PATROL 20/50PM	PATROL 20/50P	1.5	2	18	16	14	13	12.5	10.5	9	7	5	3	1							
PATROL 30/50PM	PATROL 30/50P	2.2	3	24	22	20	19	18	16	14	12	10	8	6	4	2					
PATROL 30/70PM	PATROL 30/70P	2.2	3	13	---	11.5	11.2	11	10.2	9.5	8.8	8.2	7.6	6.8	6	5.3	4.8	3.2	2		

DIMENSIONS AND WEIGHTS

TYPE		PORT DN	passage of solid bodies	DIMENSIONS mm											kg*	
Single-phase	Three-phase			a	b	c	d	e	f	g	h	m	n	w	1~	3~
PATROL 15/50PM	PATROL 15/50P	2 1/2"	Ø 50 mm	60	116	51	501	62	270	10	387	200	120	72	43.0	40.8
PATROL 20/50PM	PATROL 20/50P										397/387				44.7	43.0
PATROL 30/50PM	PATROL 30/50P										415/405				50.7	44.8
PATROL 30/70PM	PATROL 30/70P	3"	Ø 70 mm		150	70	585	95	300		256	150	92	62.0	56.1	

(*weight including counterflange)



RANGE OF PERFORMANCE

Flow rate up to 1600 l/min (96 m³/h)
Head up to 24 m

LIMITS OF USE

Depth up to 10 m
Liquid temperature up to +40°C
Passage of solid bodies max Ø 50 mm for
PATROL P 15-20-30/50
Passage of solid bodies max Ø 70 mm for
PATROL P 30/70
For continuous duty: minimum immer-
sion 430 mm from pump base

INSTALLATION AND USE

PATROL P SERIES PUMPS ARE MADE OF EXCEPTIONALLY ROBUST HEAVY GAUGE CAST IRON, ABRASION RESISTANT AND LONG-LASTING, WITH A SINGLE-CHANNEL IMPELLER WHICH CAN HANDLE LIQUIDS WITH SUSPENDED SOLIDS AND SHORT FIBRES. THEY ARE IDEAL FOR SEWAGE, WASTE AND GROUND WATER, EVEN WITH SOLIDS OR MUD, AND ARE THEREFORE RECOMMENDED FOR BUILDING OR INDUSTRIAL EFFLUENT AND DRAINAGE OF LARGE AREAS SUCH AS CAR PARKS.

GUARANTEE 2 YEARS subject to our general terms of sale.

CONSTRUCTION CHARACTERISTICS

- **PUMP BODY, MOTOR CASING AND BASE PED-ESTAL:** cast iron.
- **IMPELLER:** single-channel, in cast iron.
- **BASE:** stainless steel AISI 304.

- **MOTOR SHAFT:** stainless steel EN 10088-3 - 1.4057.
 - **DOUBLE SEAL:** mechanical seal silicon carbide - widia - NBR, with oil barrier chamber and inner lip seal to protect the seal in the event of dry running.
 - **MOTOR:** submersible asynchronous, 2 pole, for continuous duty.
- PATROL PM:** single-phase 220÷240 V - 50 Hz. Models up to 1.5 kW have built in thermal protection. 2.2 kW single-phase versions have a thermal protector provided in the winding for connection to the control box.
- PATROL P:** three-phase 380÷415 V - 50 Hz. Thermal protectors are provided in the winding for connection to the external control panel
- **INSULATION:** class F.
 - **PROTECTION:** IP 68.

STANDARD FEATURES:

- Base pedestal elbow (duct foot)
- Threaded delivery counterflange
- Top supports for guide tubes

PATROL PM (single-phase)

- Float switch.
- 10m "H07 RN-F" submersible power cable with Schuko plug.
- 1.1 to 1.5 kW models are supplied with control box with capacitor and manual reset motor protector. 2.2 kW models are supplied with control box type QES 300 MONO.

PATROL P (three-phase)

- 10m "H07 RN-F" neoprene power cable



OPTIONS ON REQUEST

- ⇒ control box for three-phase pumps
- ⇒ dual voltage: 230/400 V or 400/690 V
- ⇒ single-phase versions without float switch
- ⇒ other voltages or frequency 60 Hz

CONSTRUCTION AND SAFETY STANDARDS

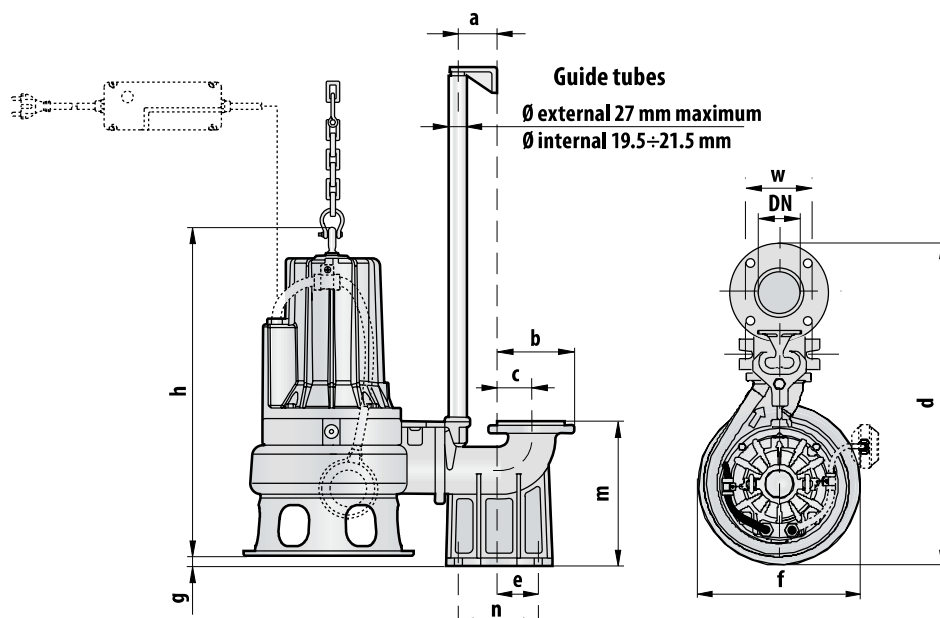
EN 60034-1

IEC 34-1

CEI 2-3



DIMENSIONS



Typical installation

