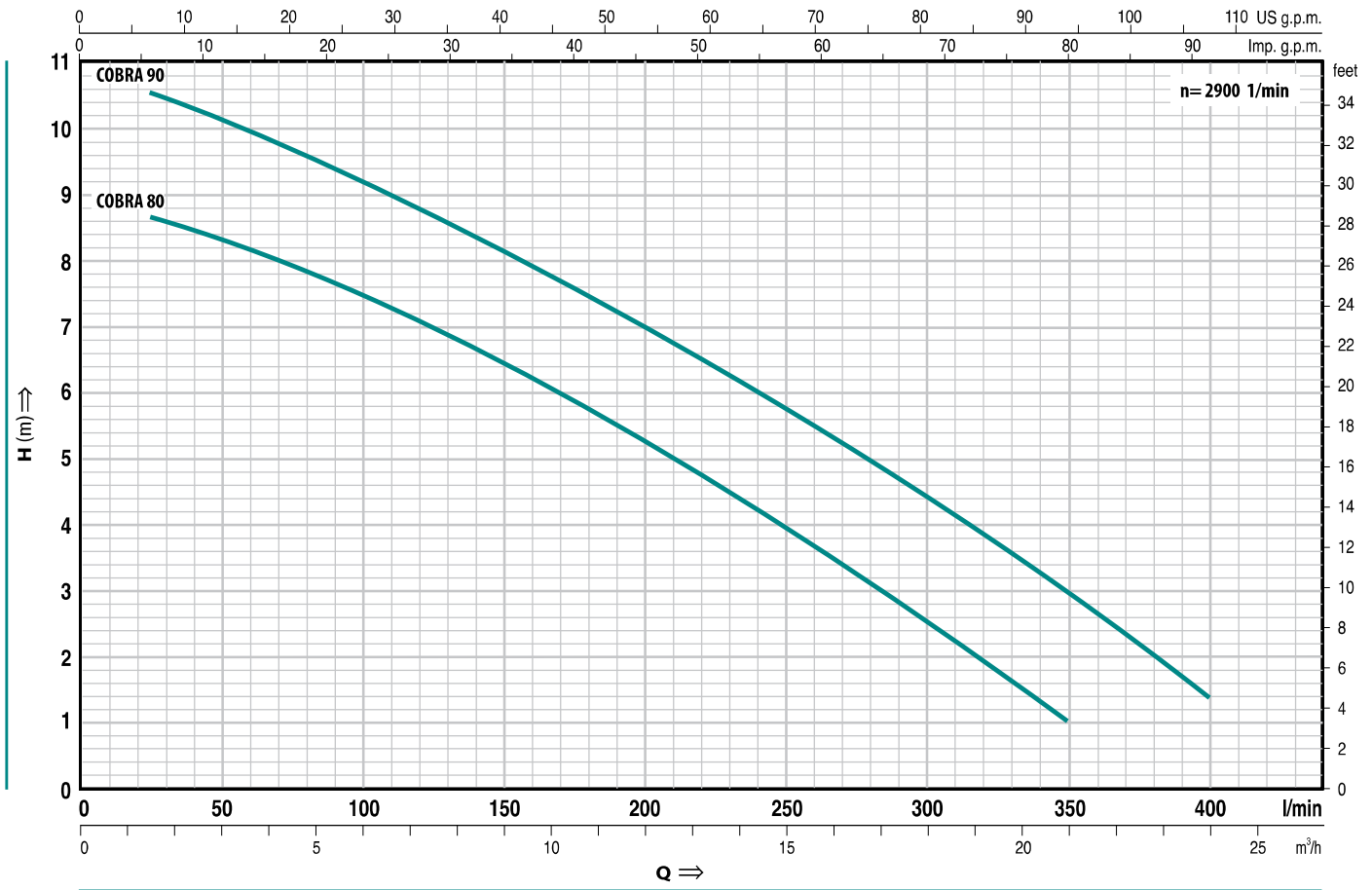




# COBRA

VORTEX submersible pumps



Q = Flow rate H = Total manometric head

Tolerance of the performance curves according to EN ISO 9906 App. A.

TYPE	POWER		m³/h l/min	0	1.5	3.0	4.5	6.0	9.0	12.0	15.0	18.0	21.0	24.0
	kW	HP		0	25	50	75	100	150	200	250	300	350	400
Single-phase														
COBRA 80M	0.50	0.70	H metres	9	8.5	8.3	8	7.5	6.5	5.2	4	2.5	1	
COBRA 90M	0.60	0.85		11	10.5	10	9.5	9.2	8.2	7	5.7	4.3	2.8	1.5

## DIMENSIONS AND WEIGHTS

TYPE	PORT DN	passage of solid bodies	DIMENSIONS mm									kg
			a	b	c	h	h1	d	e	p	∅	
Single-phase	1 1/2"	∅ 40 mm	110	93	150	372	128	40	adjustable	450	450	10.8
COBRA 80M												
COBRA 90M												12.4





#### RANGE OF PERFORMANCE

Flow rate up to 300 l/min (18 m<sup>3</sup>/h)

Head up to 10 m

#### LIMITS OF USE

Depth up to 5 m

Liquid temperature up to + 40°C

Passage of suspended solid bodies up to  
Ø 40 mm

Drainage level 40 mm from the bottom

For continuous duty: minimum immer-  
sion 240 mm from pump base

#### INSTALLATION AND USE

COBRA PUMPS ARE RECOMMENDED FOR DRAIN-  
ING WASTE WATER IN THE DOMESTIC SECTOR,  
FOR CLEARING DIRTY WATER, EVEN CONTAINING  
SUSPENDED SOLID BODIES WITH DIMENSIONS  
UP TO Ø 40 mm.

THEY ARE OUTSTANDING IN BOTH THEIR  
SIMPLICITY OF INSTALLATION AND THEIR  
RELIABILITY IN FIXED INSTALLATIONS WITH  
AUTOMATIC OPERATION.

**GUARANTEE 2 YEARS** subject to our general  
terms of sale.

#### CONSTRUCTION CHARACTERISTICS

- **DELIVERY BODY:**  
cast iron, with threaded port ISO 228/1.
- **MOTOR CASING:** stainless steel AISI 304.
- **IMPELLER:**  
open type, in glass filled **technopolymer**.
- **MOTOR SHAFT:**  
stainless steel EN 10088-3 - 1.4104.
- **MECHANICAL SEAL:**  
ceramic - graphite - NBR.
- **MOTOR:** submersible asynchronous single-phase  
for continuous duty.
- **COBRA M:** single-phase 220÷240 V - 50 Hz with  
capacitor and thermal overload protector.
- **INSULATION:** class F.
- **PROTECTION:** IP 68.

#### STANDARD FEATURES:

- Float switch.
- Neoprene power cable "H07 RN-F"
- length 5 metres with Schuko plug.

#### OPTIONS ON REQUEST

⇒ special mechanical seal 10 metres power cable.

N.B. required for outdoor use to comply with  
standard EN 60335-2-41

⇒ versions without float switch

⇒ other voltages or frequency 60 Hz



#### CONSTRUCTION AND SAFETY STANDARDS

EN 60 335-1

EN 60034-1

IEC 335-1

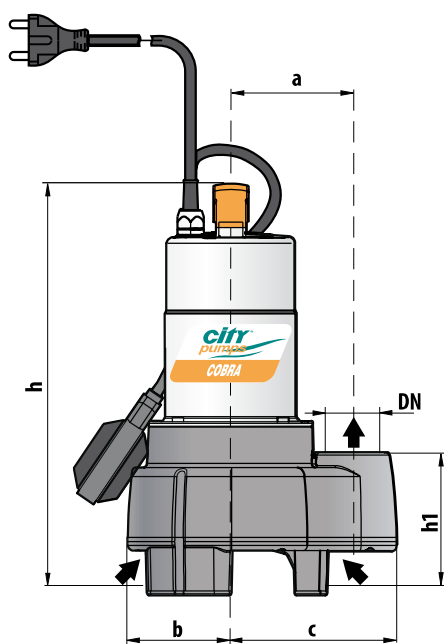
IEC 34-1

CEI 61-150

CEI 2-3



## DIMENSIONS



#### Typical installation

